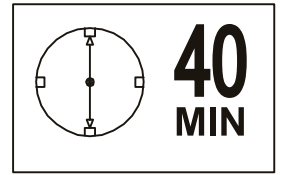
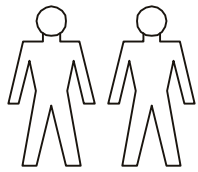


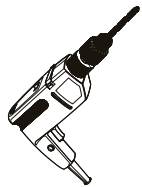
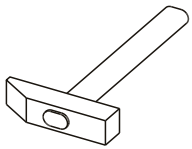
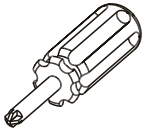
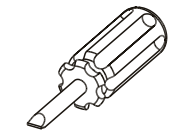
CAMRON/BENTON - STANDREGAL TYP 2B



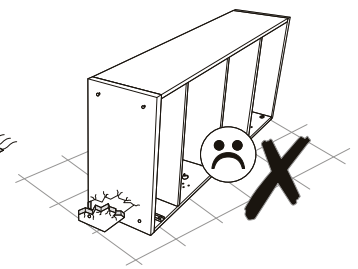
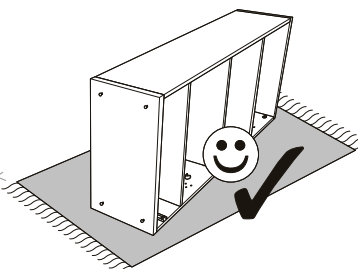
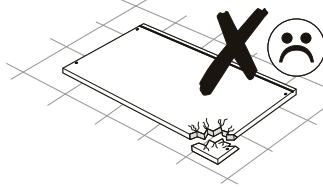
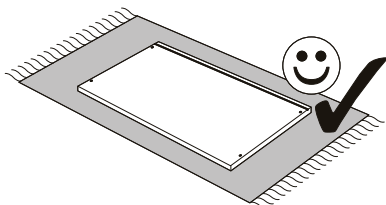
1100 mm

1380 mm

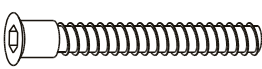



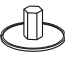


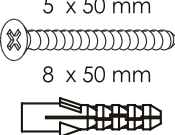



430 mm

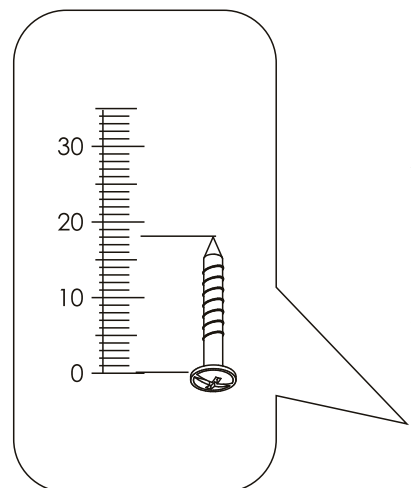
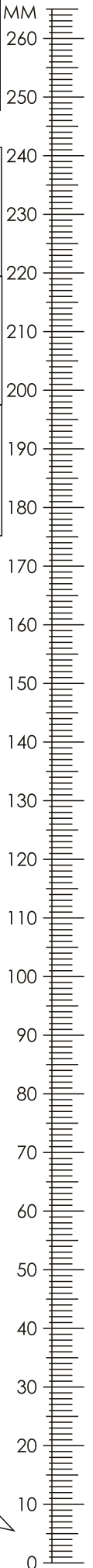


8

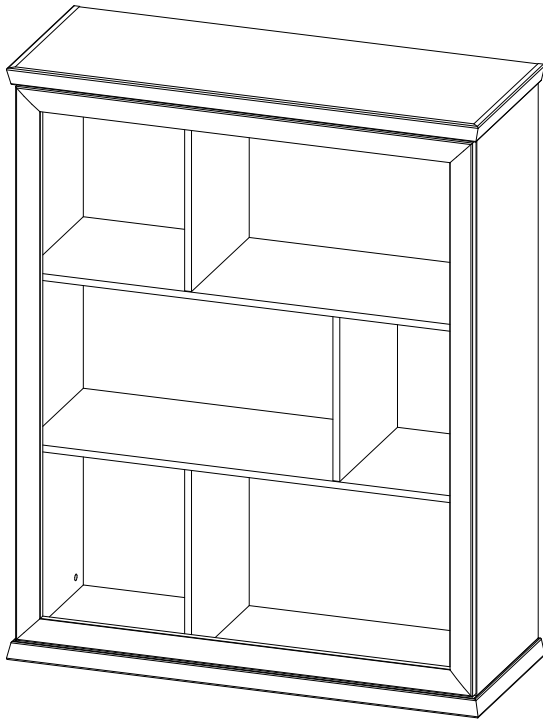



CAMRON/BENTON - STANDREGAL TYP 2B

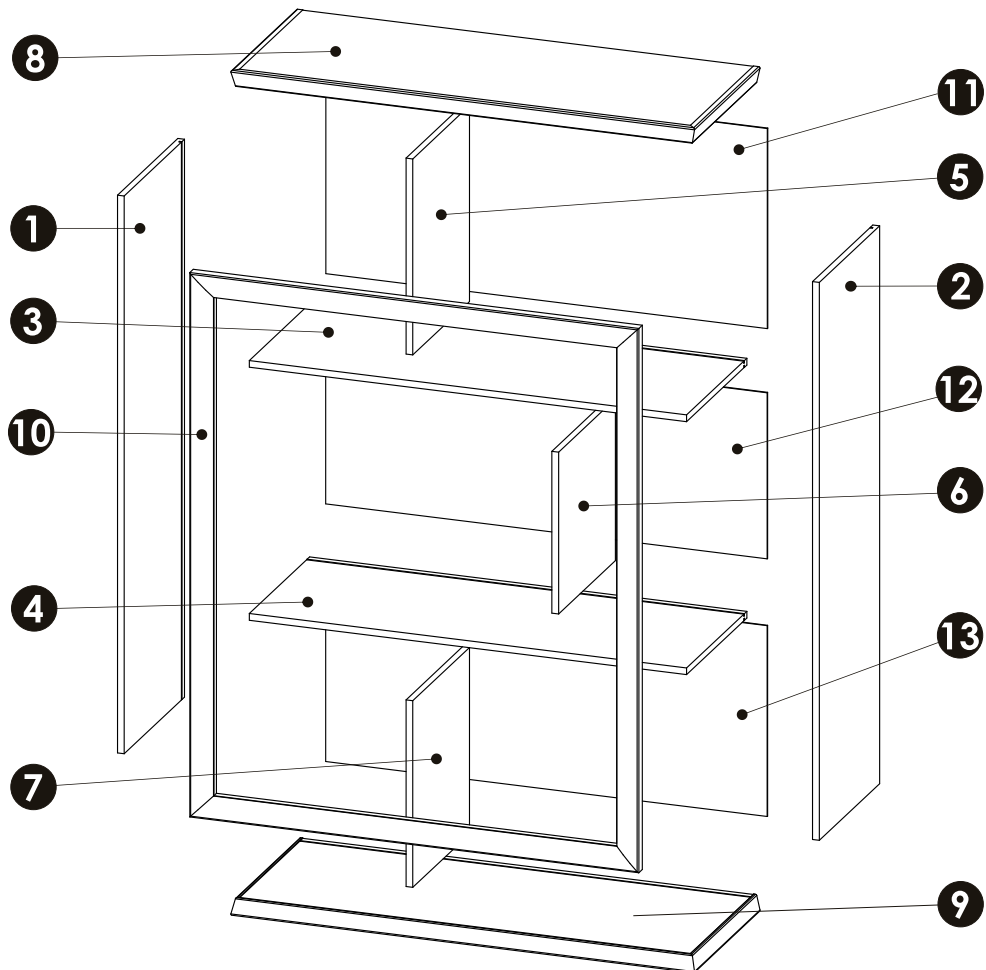
B1 f 7 x 50 mm 	x4	C0 	x24	C2 	x32
D0 3 x 15 mm 	x30	B0 	x4	D21 5 x 13 mm 	x2
P0 	x2	E0 5 x 50 mm 8 x 50 mm 	x2	K 4mm 	x1
M1 	x30	U2 	x6		

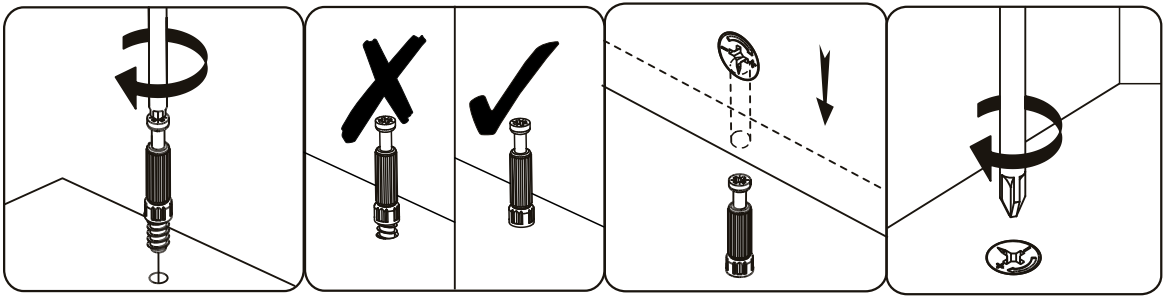


CAMRON/BENTON - STANDREGAL TYP 2B

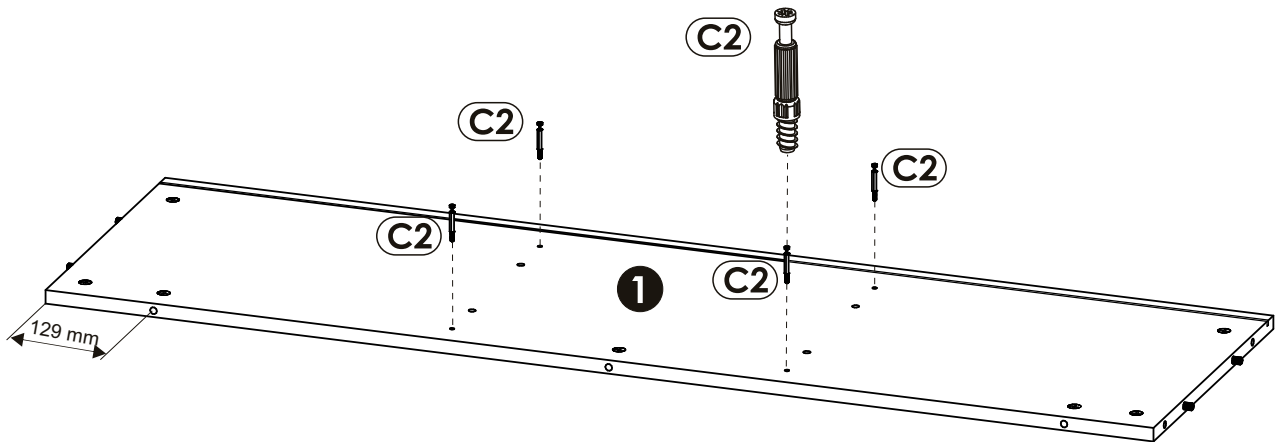
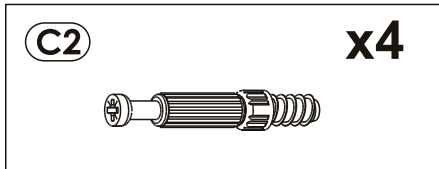


1	1324	393	16	x1	1/3
2	1324	393	16	x1	1/3
3	1038	393	16	x1	1/3
4	1038	393	16	x1	1/3
5	465	370	16	x1	1/3
6	384	370	16	x1	1/3
7	443	370	16	x1	1/3
8	1100	430	40	x1	2/3
9	1100	430	40	x1	2/3
10	1292	1066	25	x1	3/3
11	1048	475	2,8	x1	3/3
12	1048	394	2,8	x1	3/3
13	1048	453	2,8	x1	3/3
					1/3

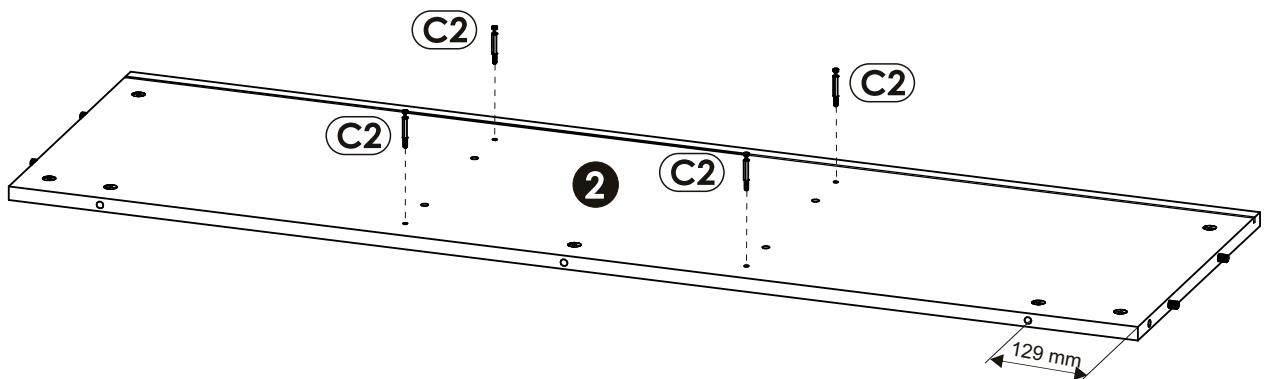
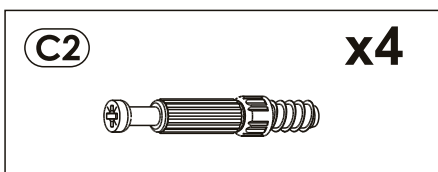




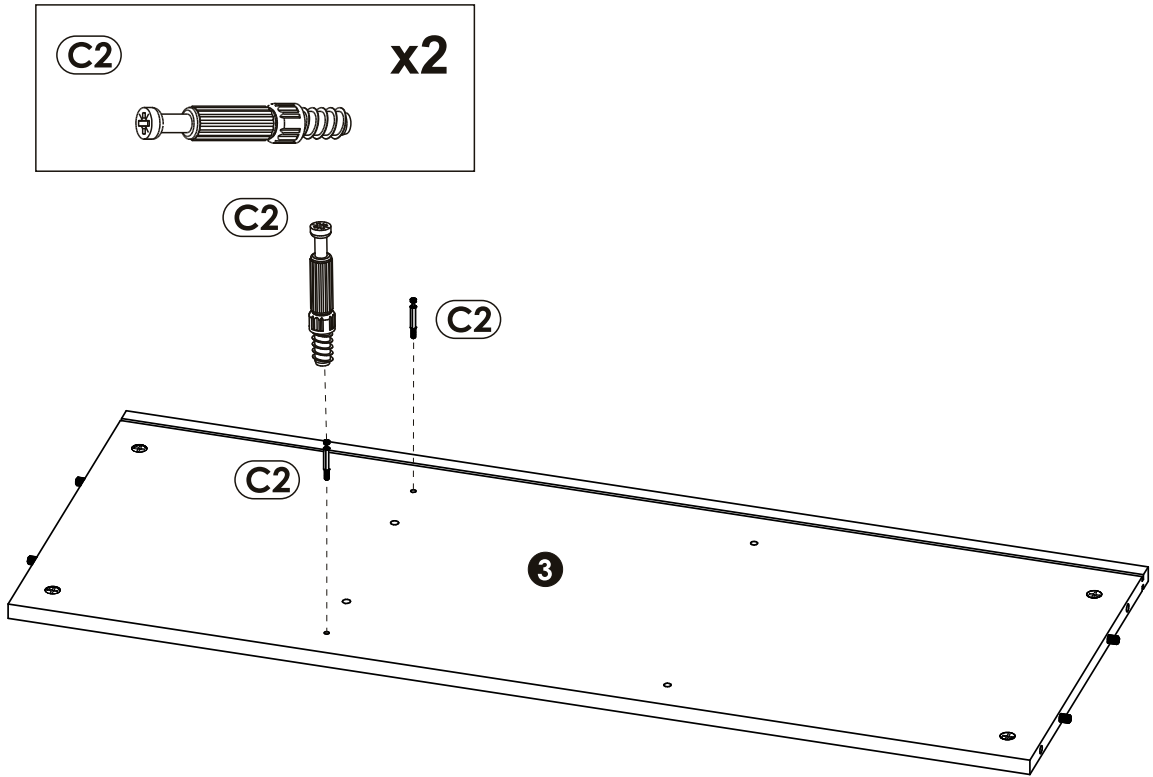
1 ▶



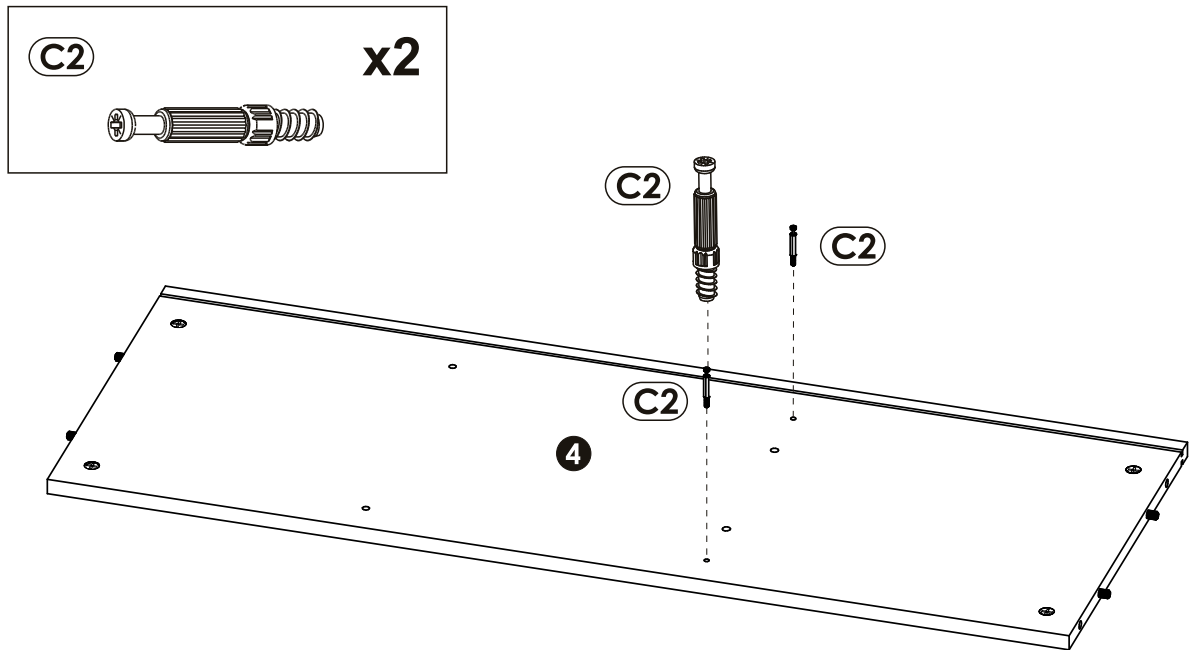
2 ▶



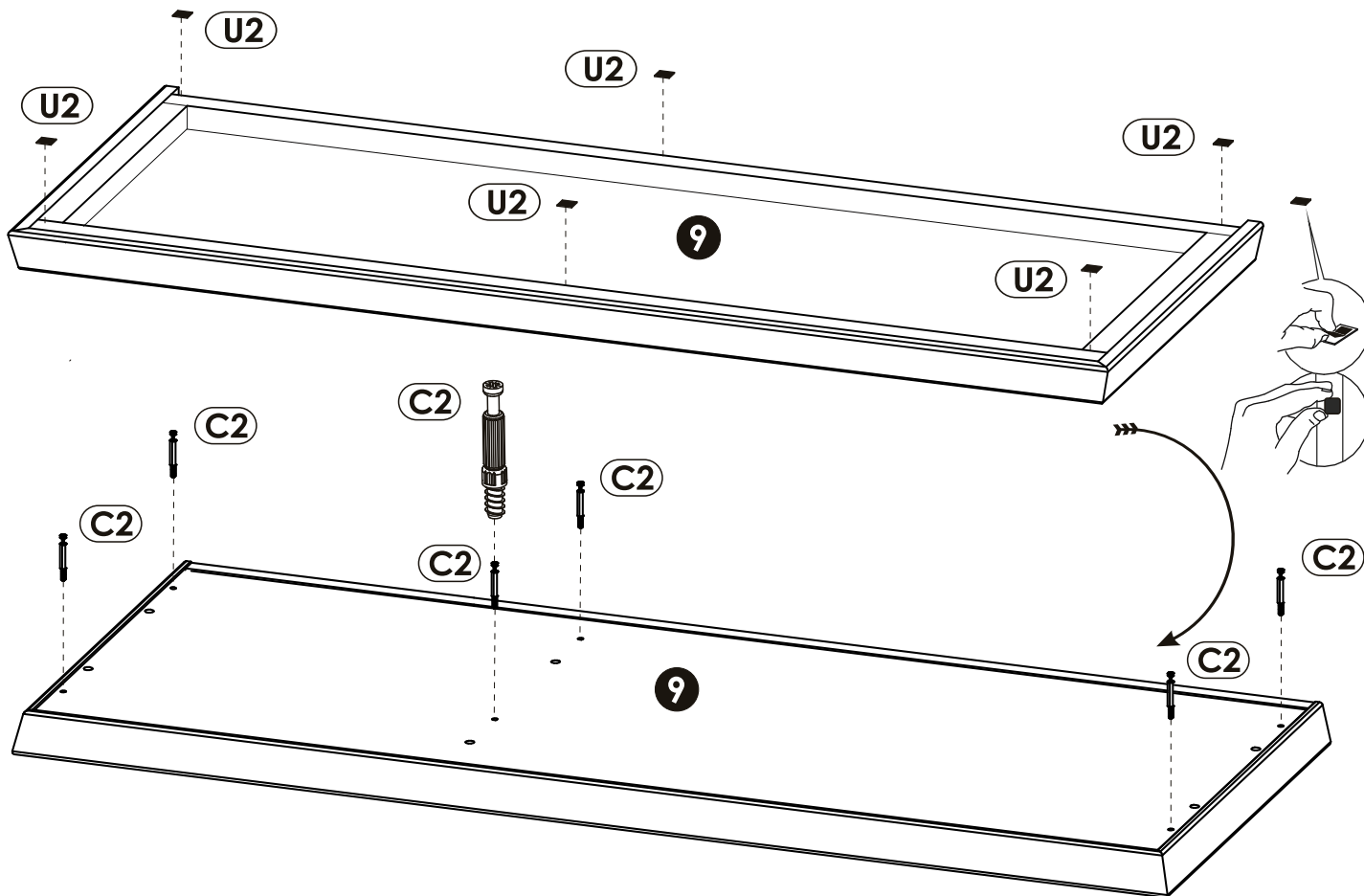
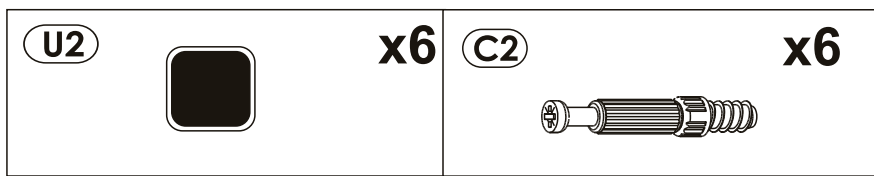
3 ▶



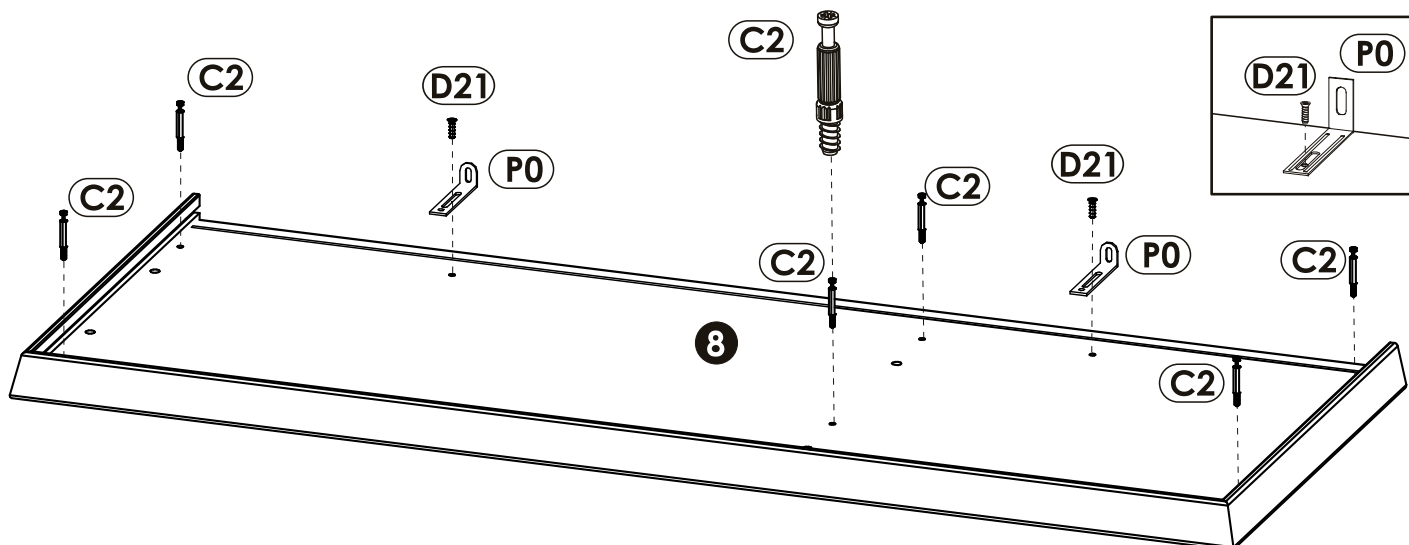
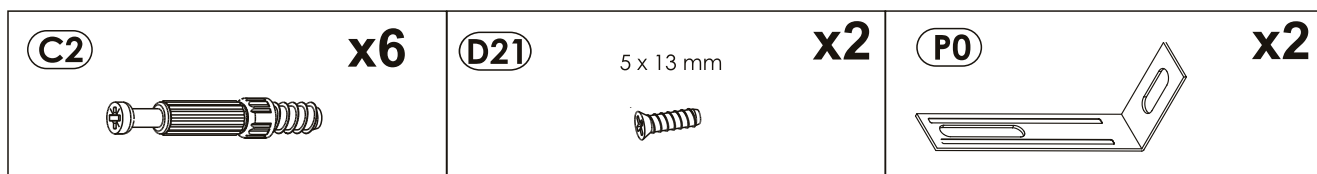
4 ▶



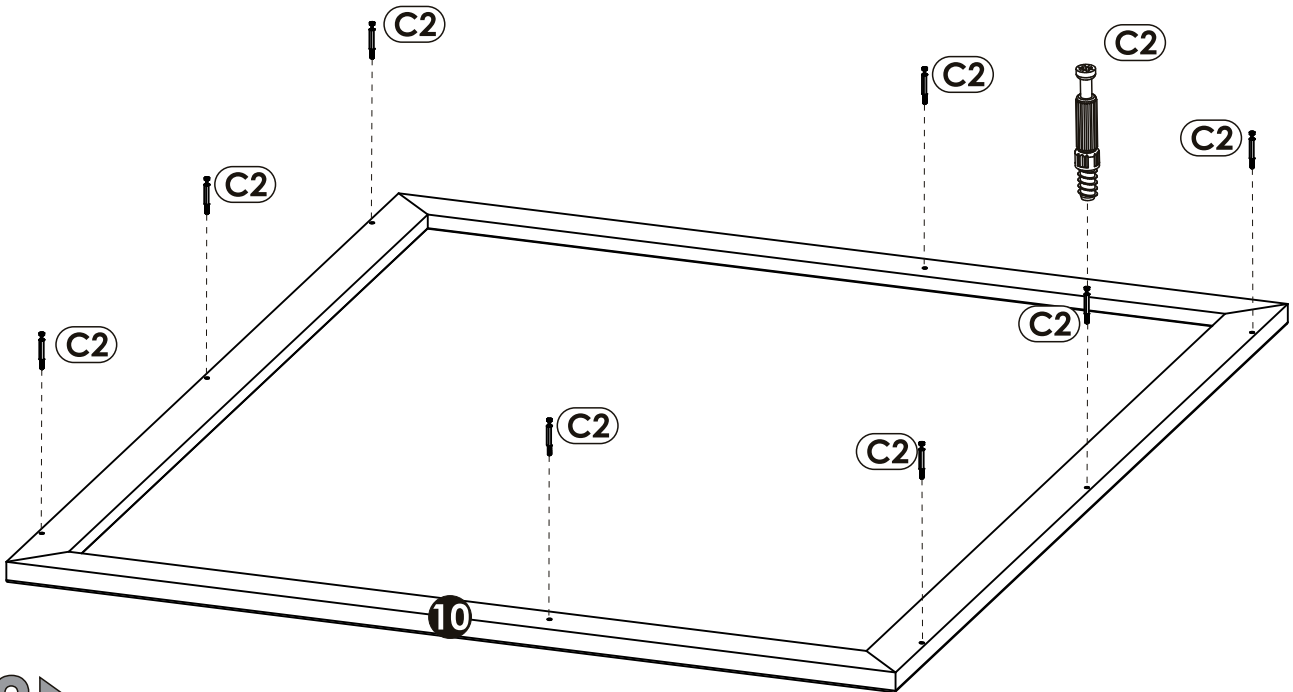
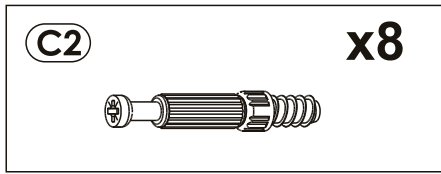
5 ▶



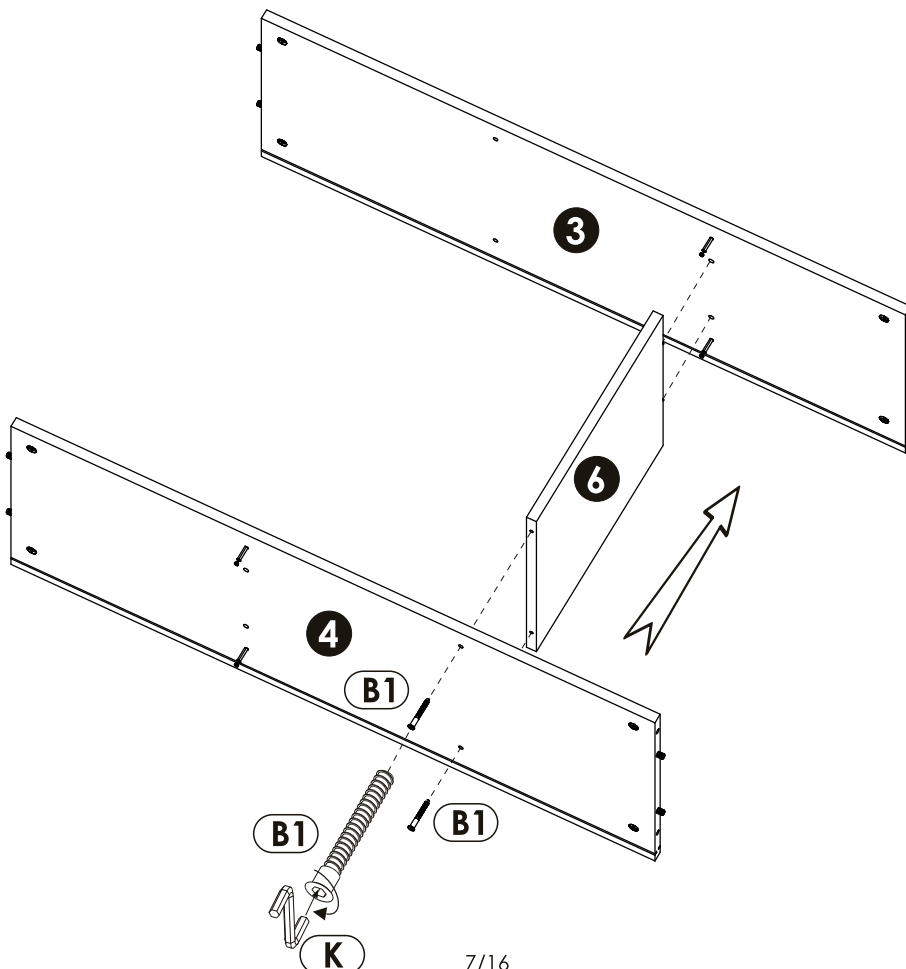
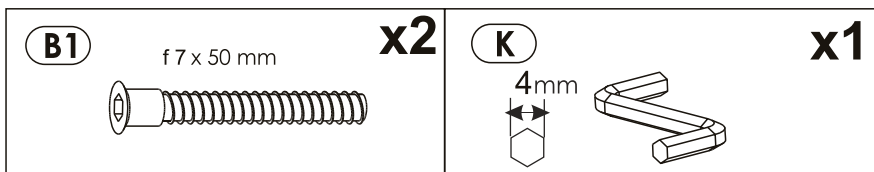
6 ▶



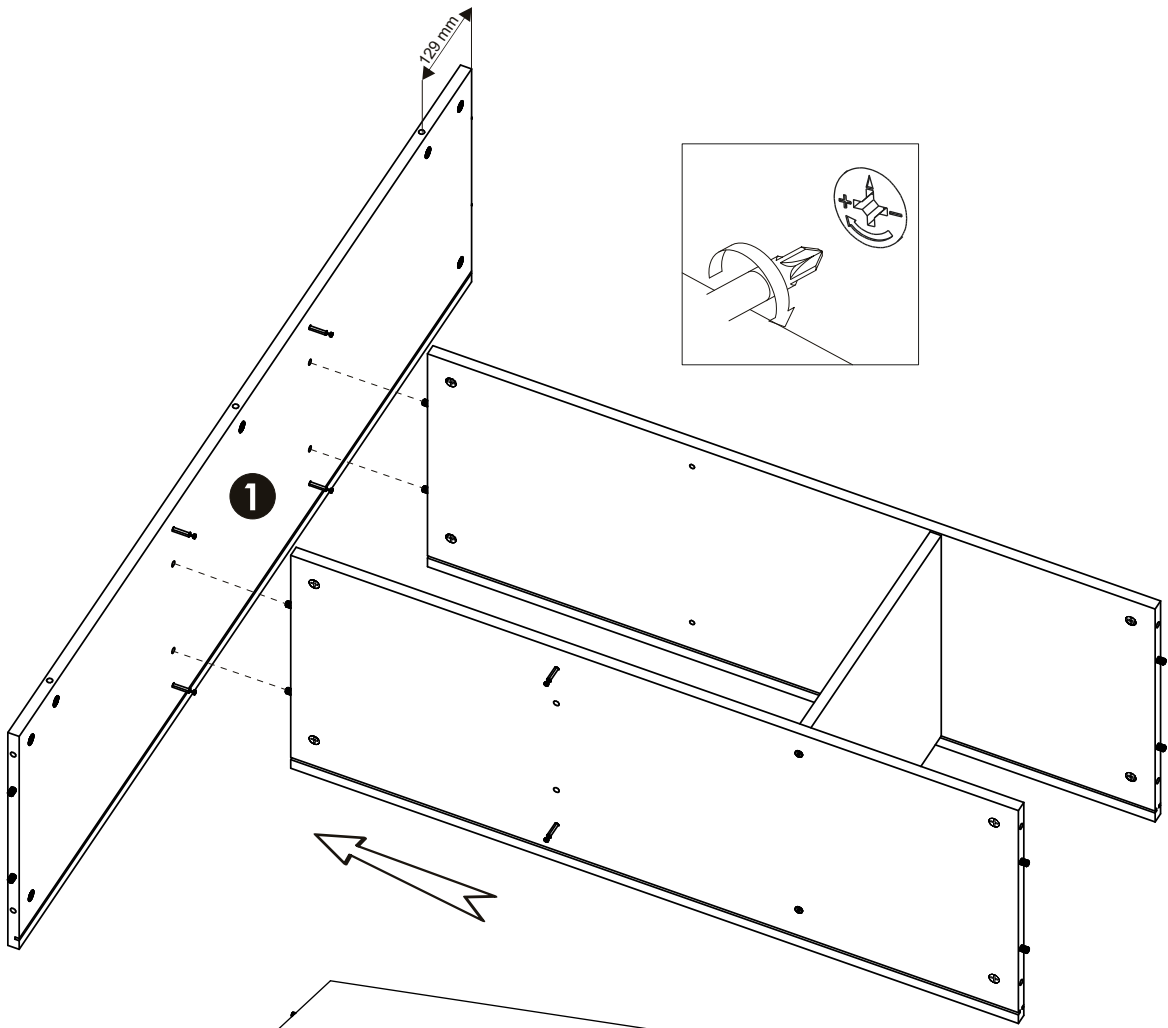
7 ▶



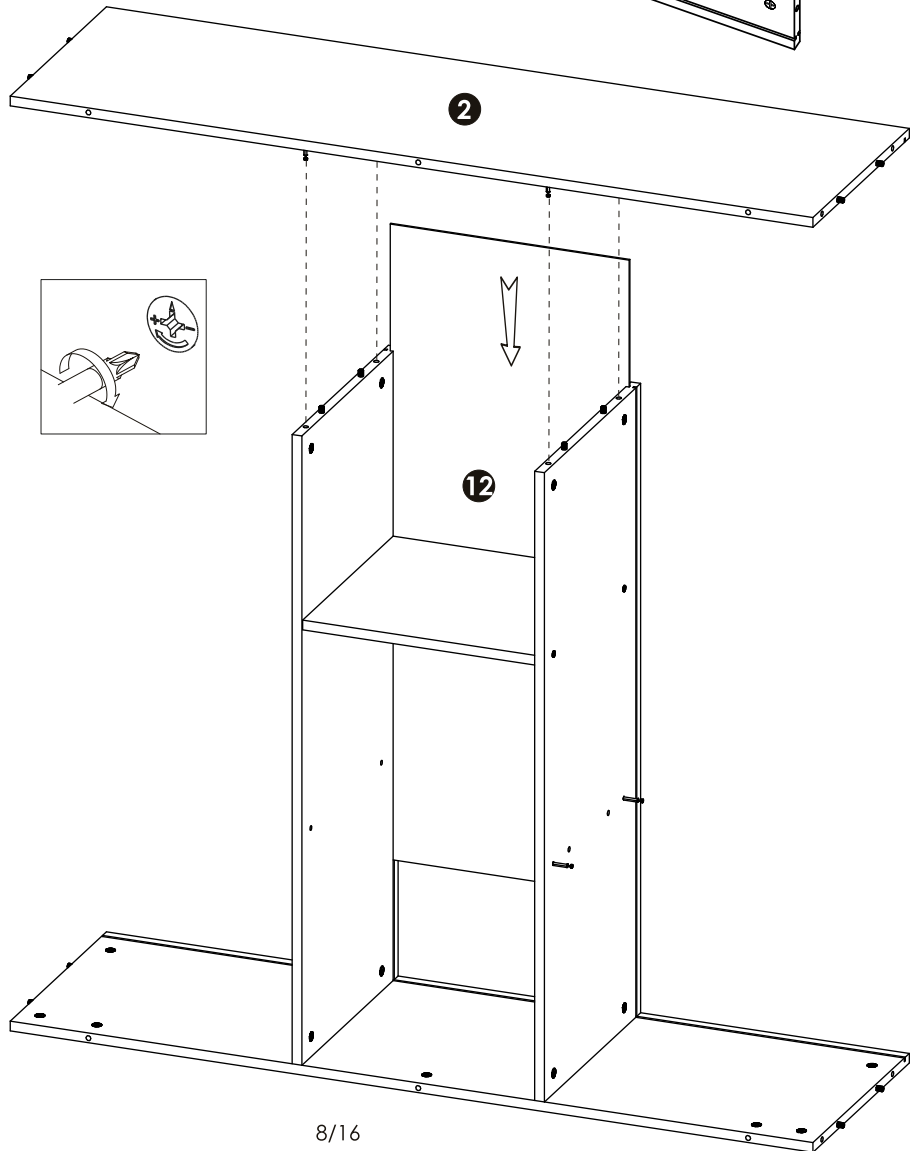
8 ▶





9 ▶

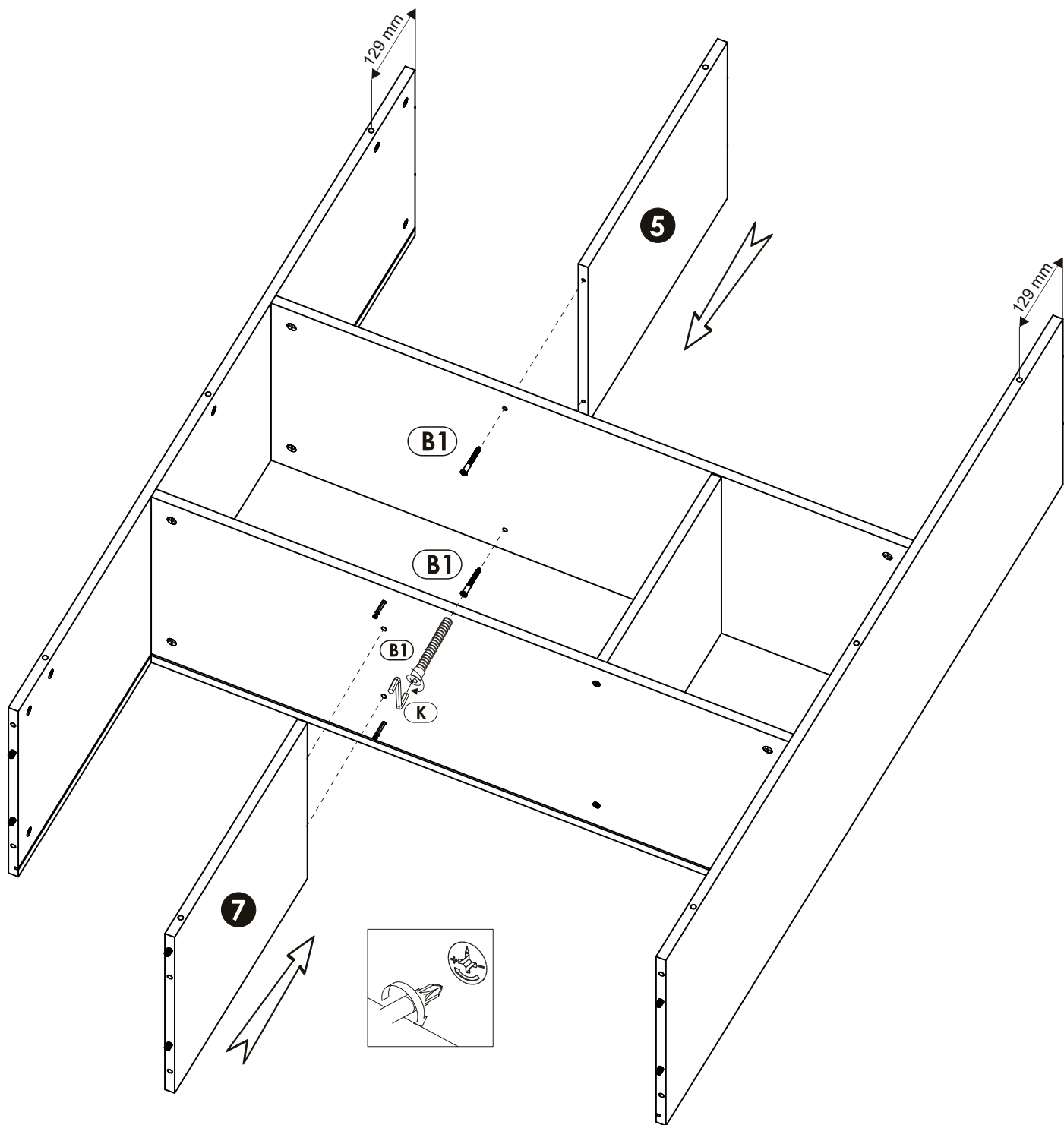


10 ▶

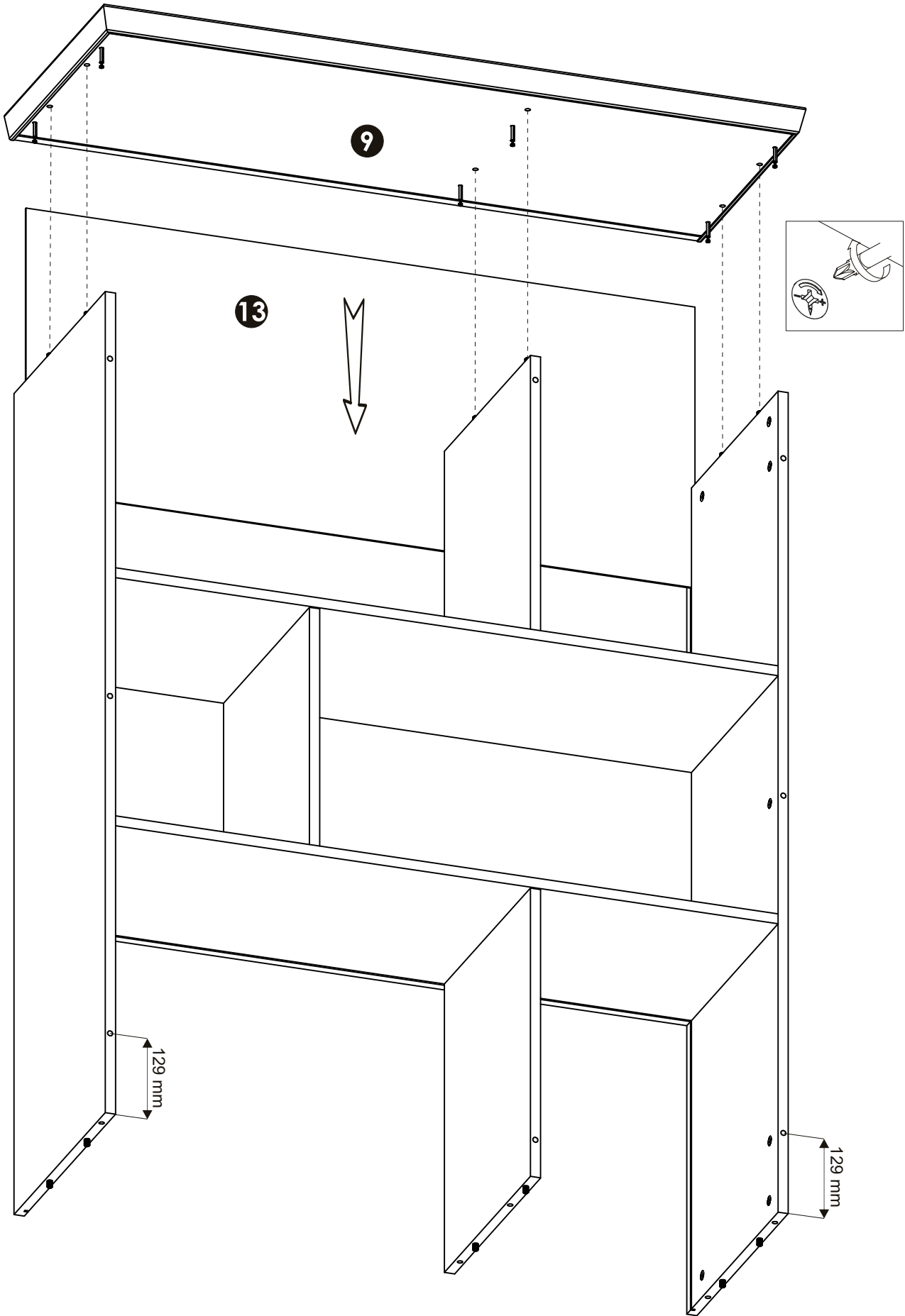


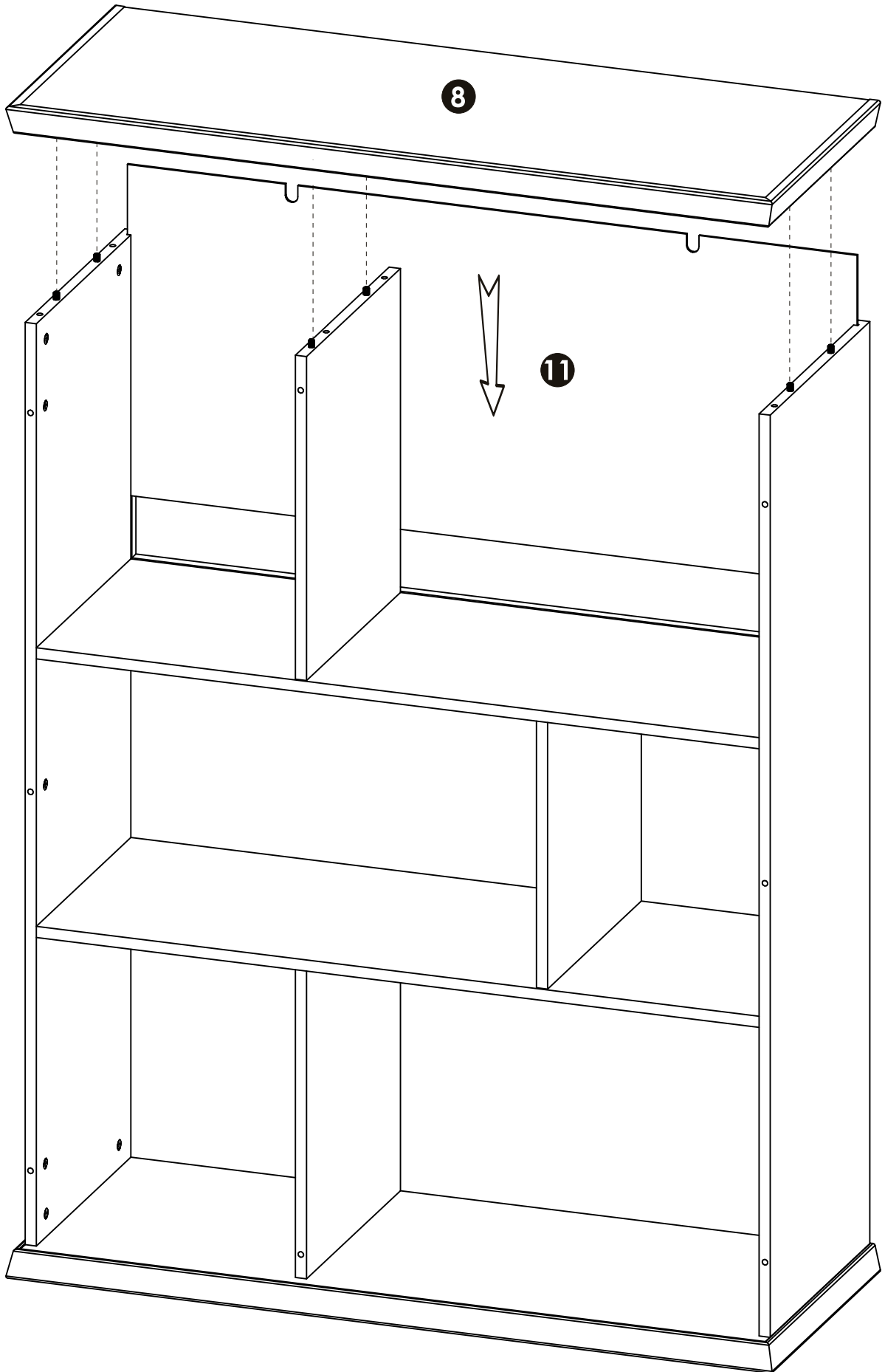
11 ▶

B1	f 7 x 50 mm	x2	K	x1
				





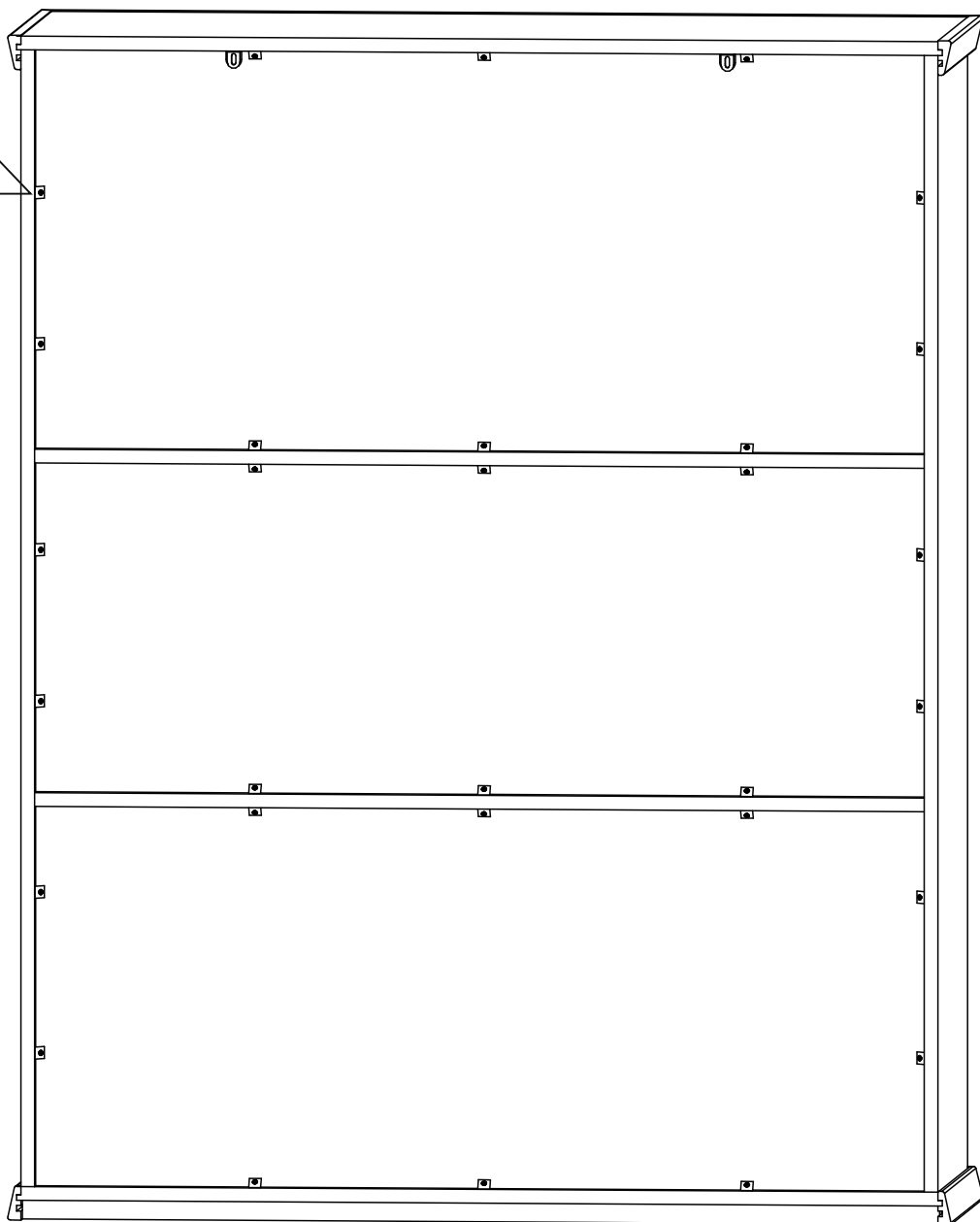
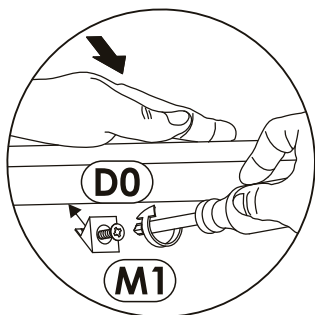
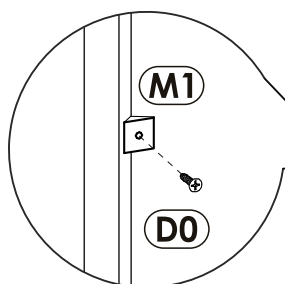
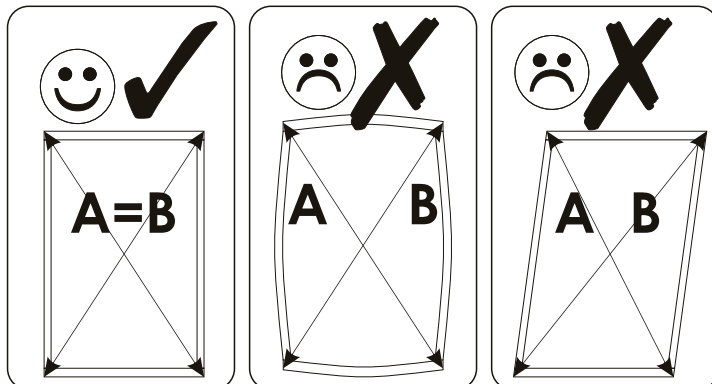
12▶

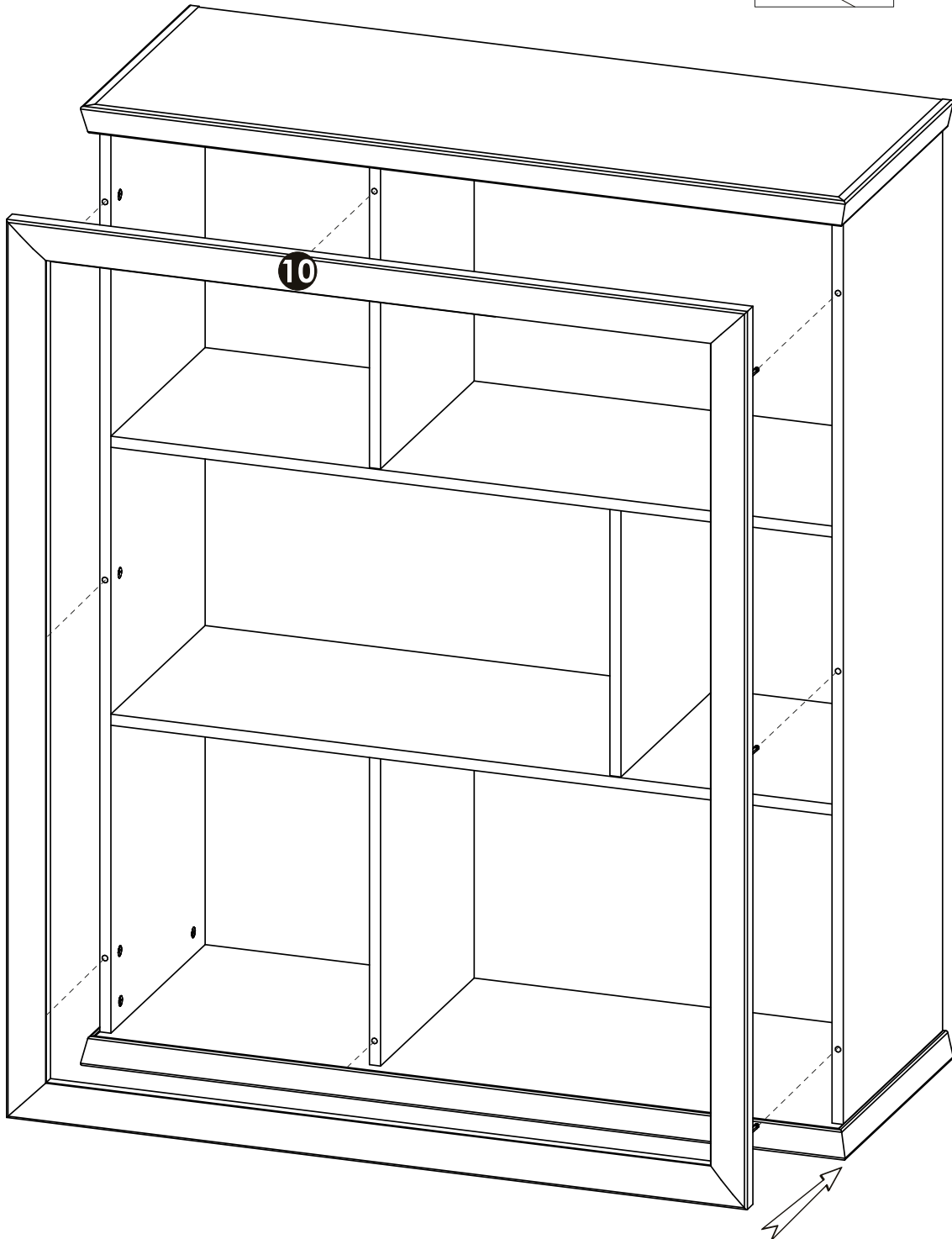
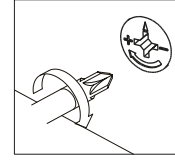




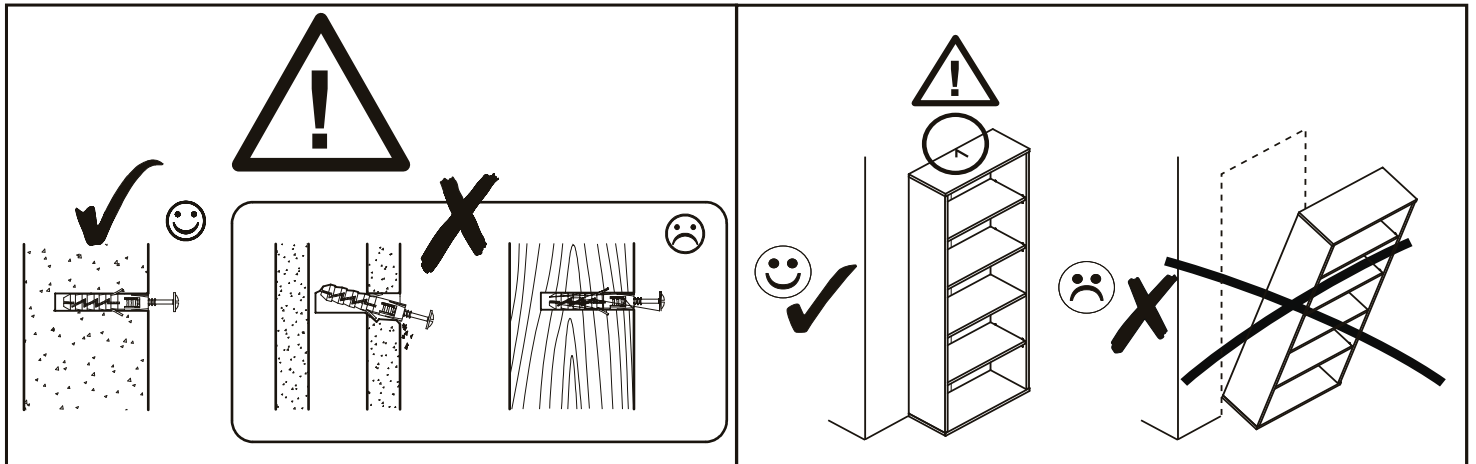
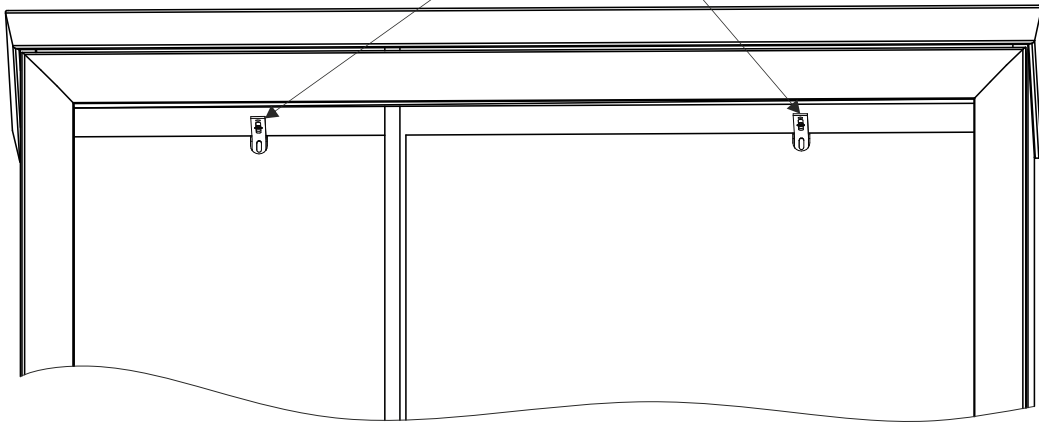
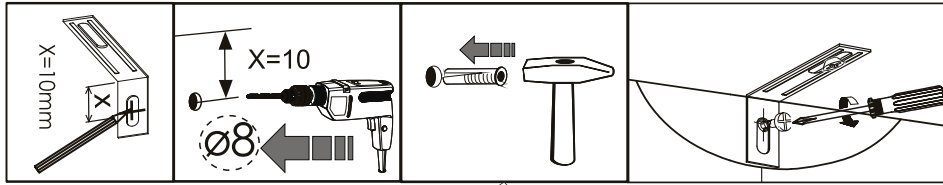
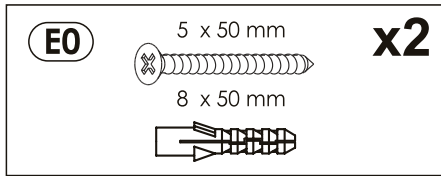
14 ▶

(M1)	x30	(D0)	3 x 15 mm	x30
				





16 ▶



17▶

