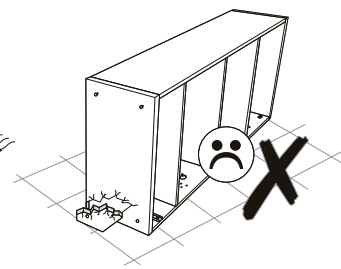
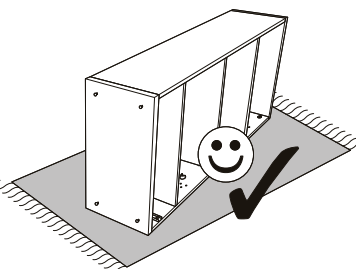
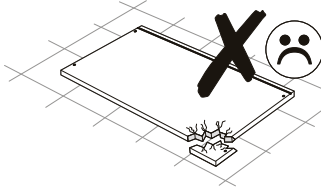
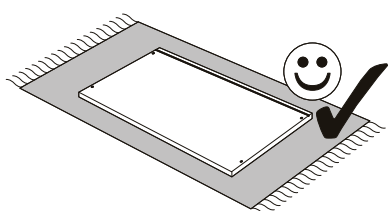
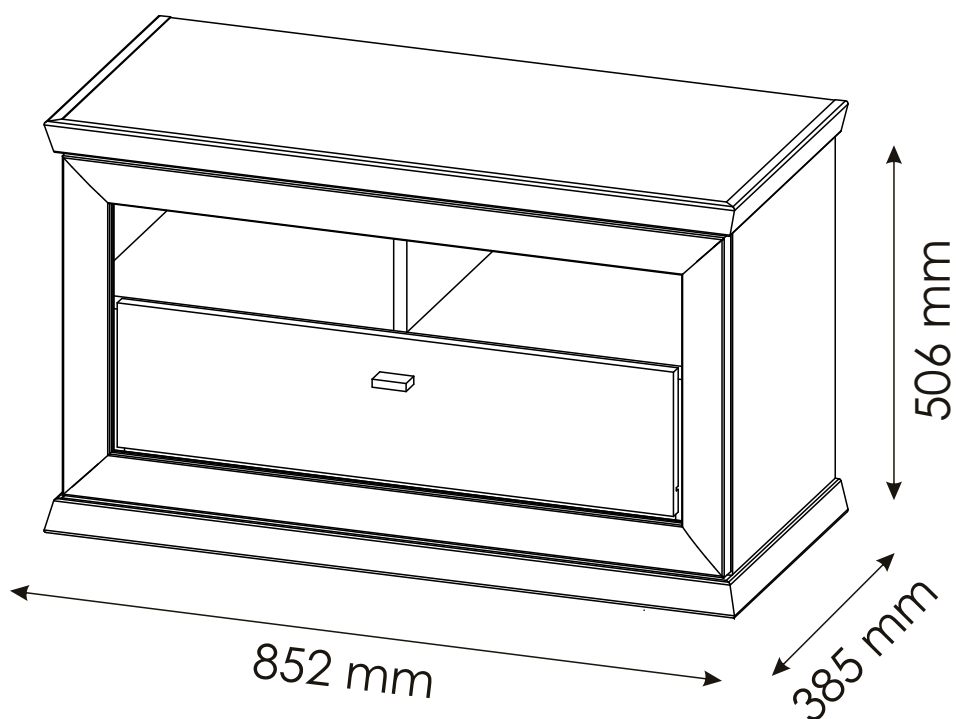
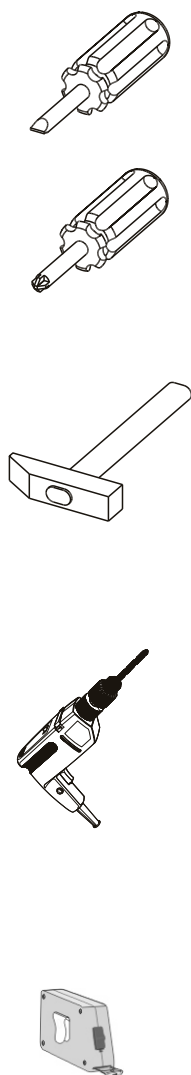
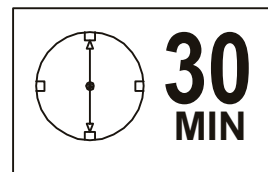
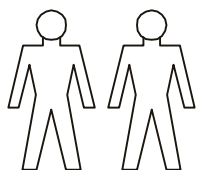
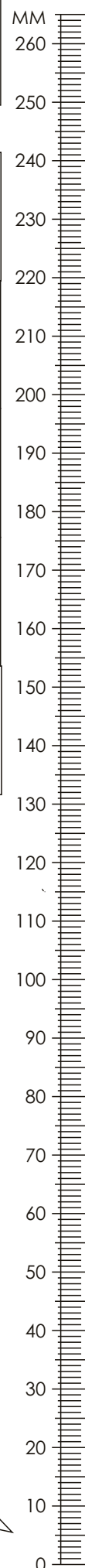








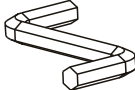


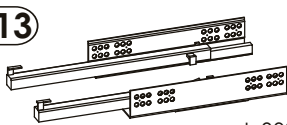





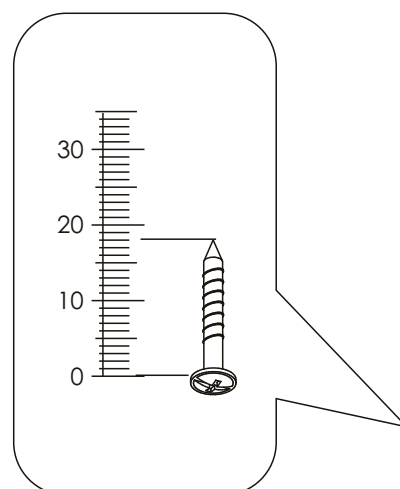
HARVEY - GARDEROBENBANK



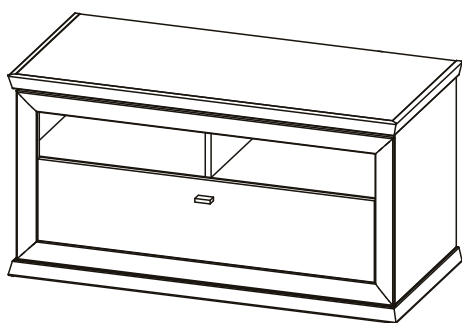
HARVEY - GARDEROBENBANK




A0 8 x 30mm x32 	B1 f 7 x 50 mm x10 	C0 x8 
C2 x20 	D0 3 x 15 mm x16 	C7 x20 16mm 
D31 6,3 x 13 mm x8 	H2 4 x 22 mm x2 	K x1 4mm 
L6 x1 	M1 x16 	N13 x1 L-300mm 
U0 x2 	U2 x6 	U3 x2 

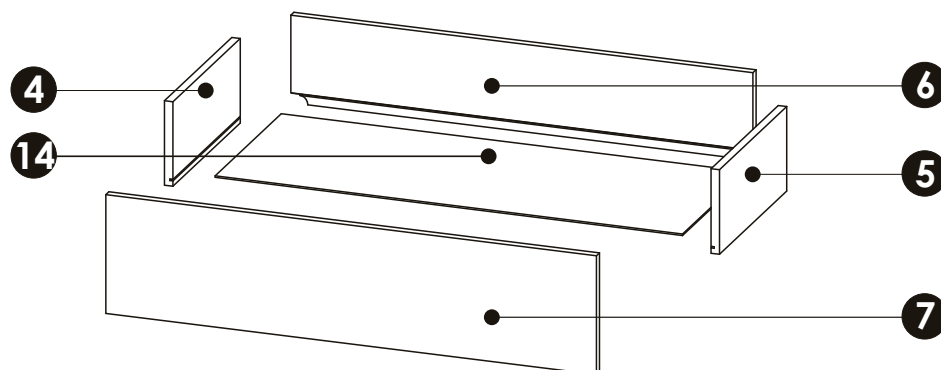
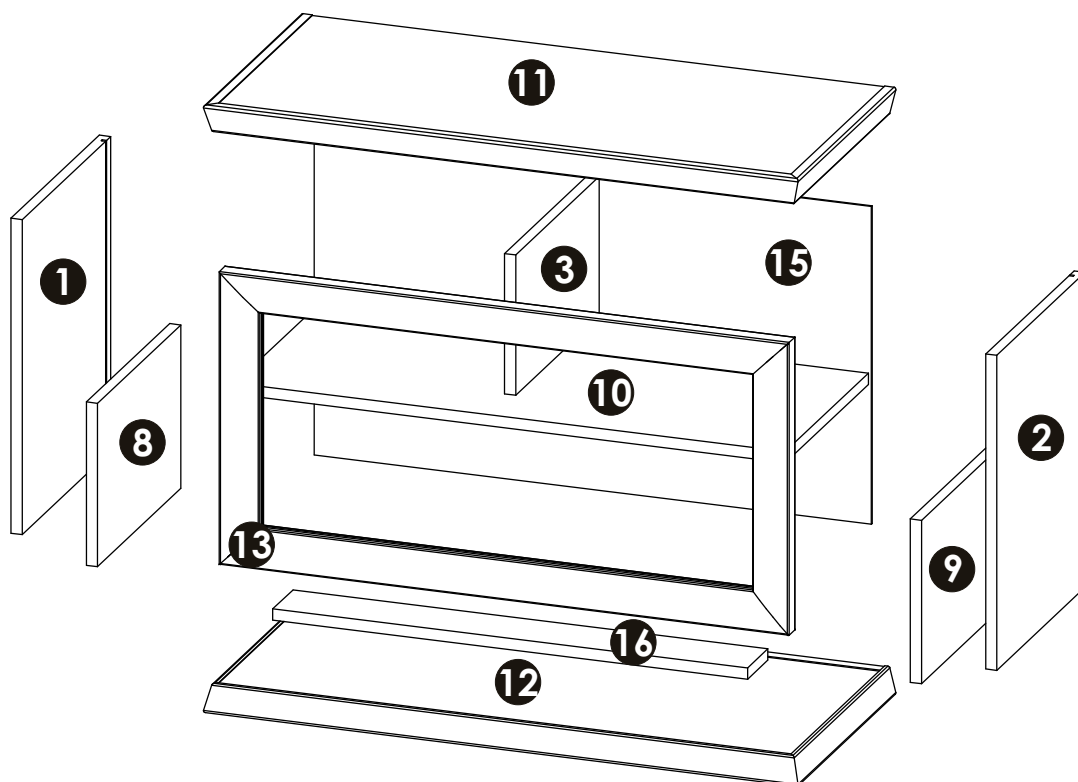


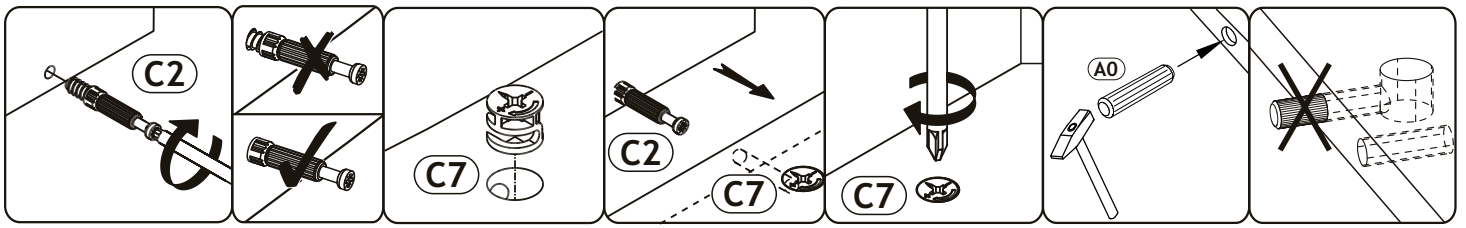
HARVEY - GARDEROBENBANK



1	449	348	16 x1	1/2
2	449	348	16 x1	1/2
3	201	326	16 x1	1/2
4	300	120	16 x1	1/2
5	300	120	16 x1	1/2
6	640	118	16 x1	1/2
7	686	178	16 x1	1/2
8	232	328	16 x1	1/2

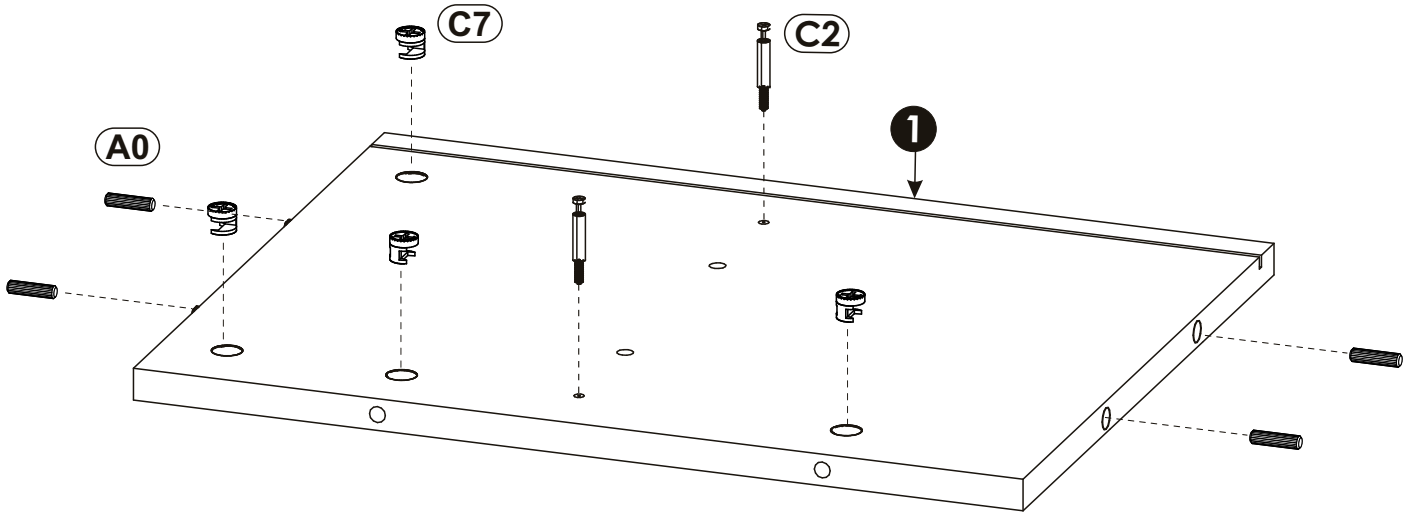
9	232	328	16 x1	1/2
10	788	328	16 x1	1/2
11	852	385	40 x1	2/2
12	852	385	40 x1	2/2
13	816	420	25 x1	2/2
14	650	294	3 x1	1/2
15	798	459	3 x1	2/2
16	680	80	16 x1	1/2
				1/2





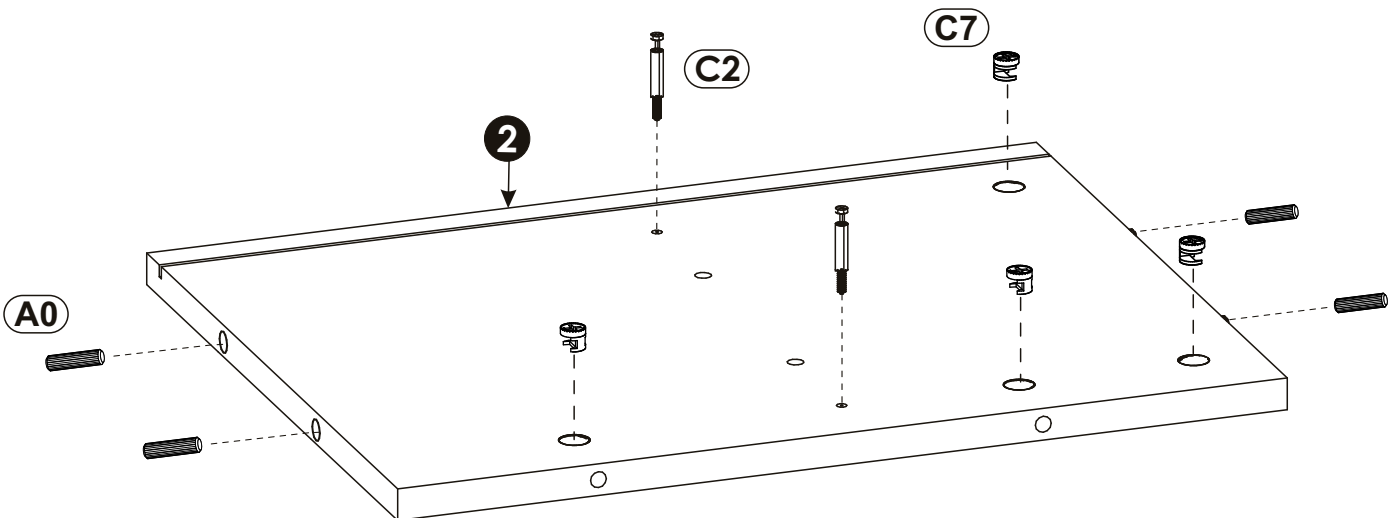
1 ▶

(A0) 8 x 30mm 	x4	(C2) 	x2	(C7) 16mm 	x4
-----------------------------	-----------	-----------------	-----------	-------------------------	-----------



2 ▶

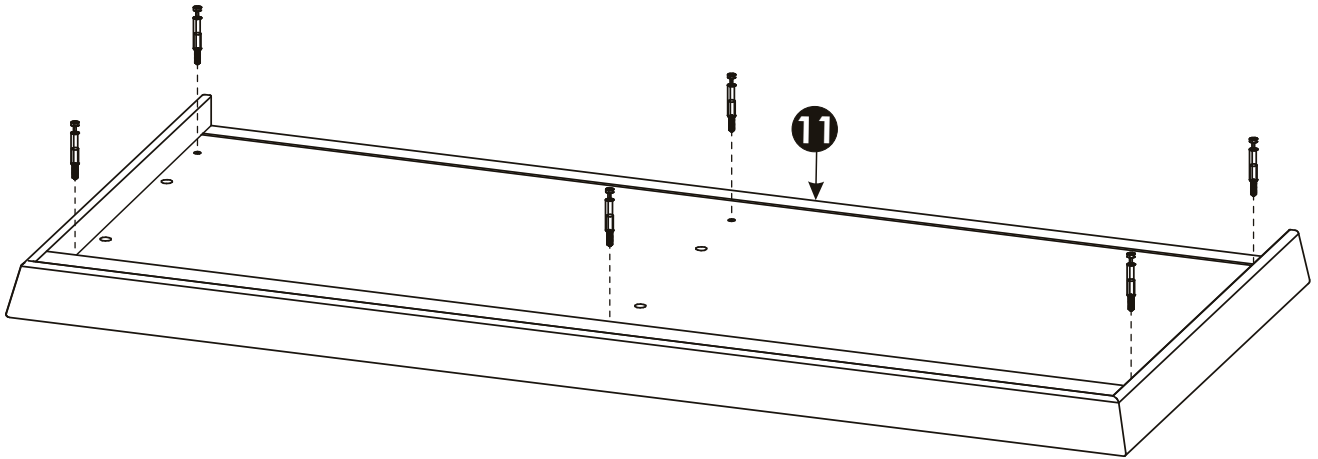
(A0) 8 x 30mm 	x4	(C2) 	x2	(C7) 16mm 	x4
-----------------------------	-----------	-----------------	-----------	-------------------------	-----------



3 ▶

C2

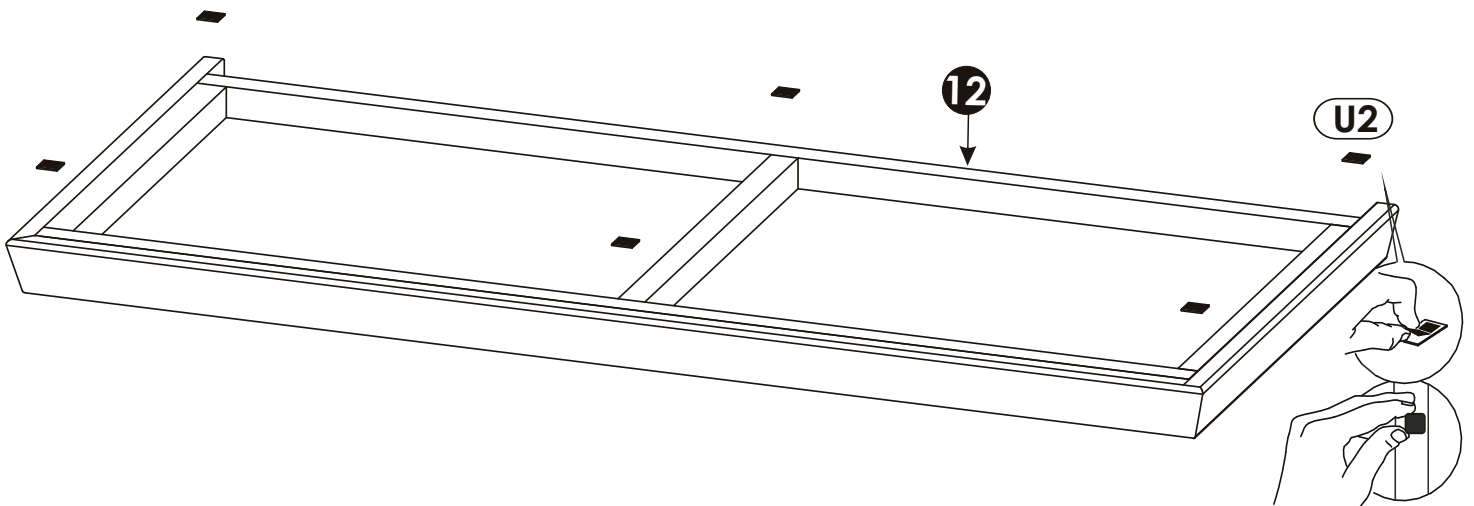
x6






4 ▶

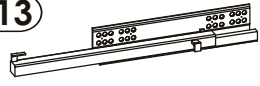
U2

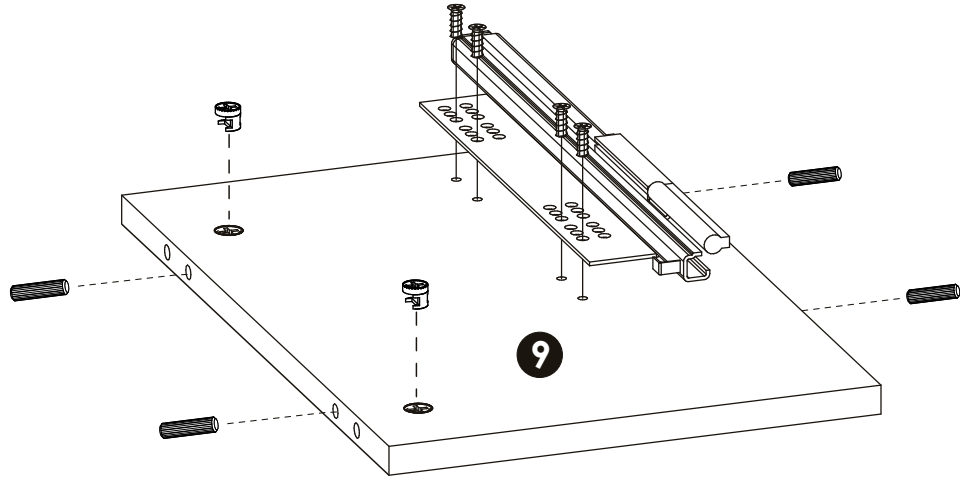
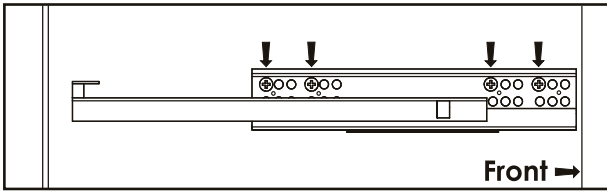
x6






5 ▶

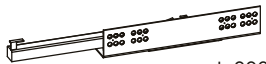
<p>A0 8 x 30mm x4</p> 	<p>C7 16mm x2</p> 	<p>D31 6,3 x 13 mm x4</p> 
---	---	---

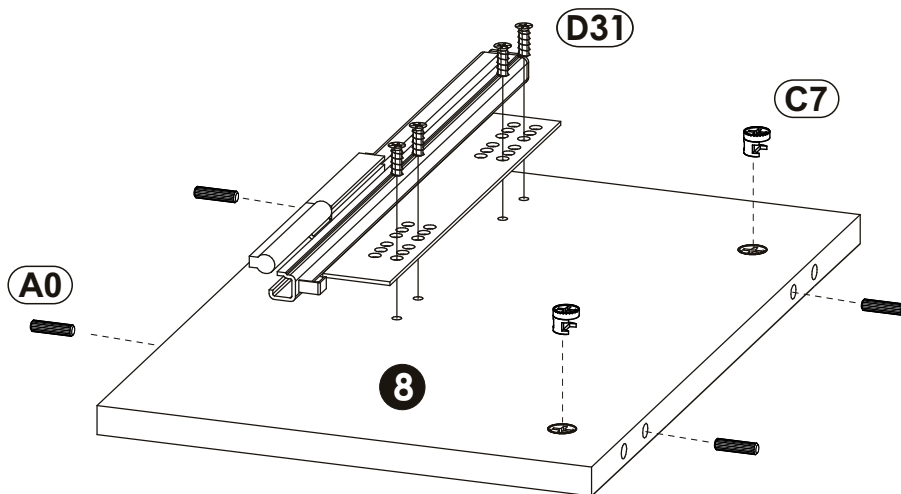
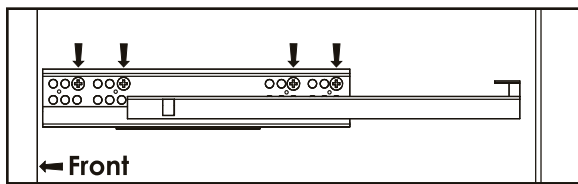
<p>N13 x1</p>  <p>L-300mm</p>
--






6 ▶

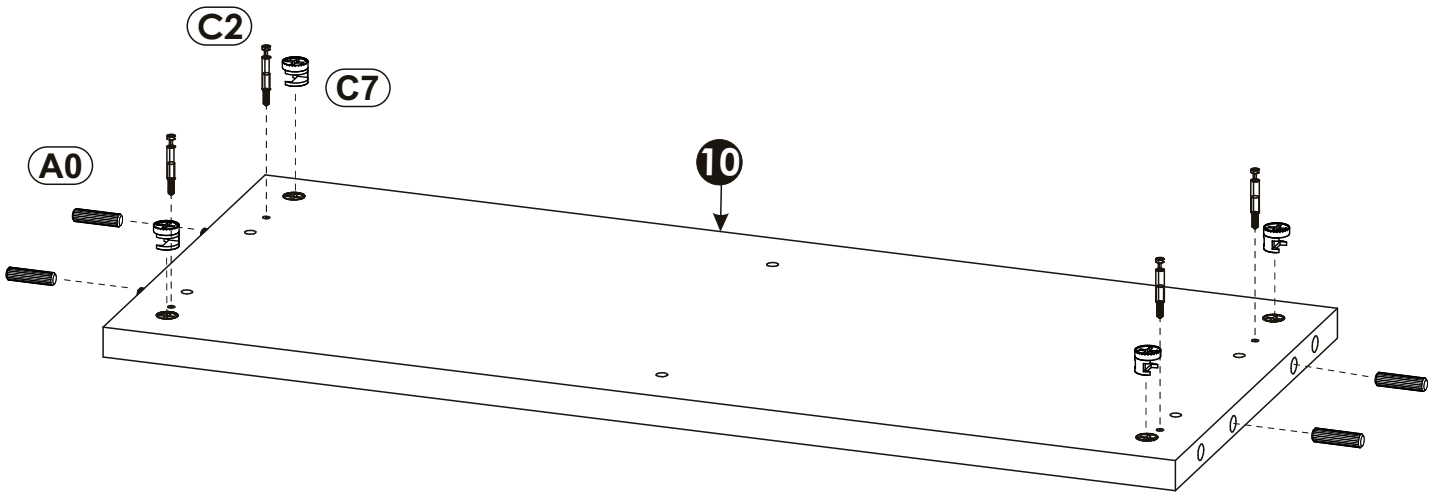
<p>A0 8 x 30mm x4</p> 	<p>C7 16mm x2</p> 	<p>D31 6,3 x 13 mm x4</p> 
---	---	---

<p>N13 x1</p>  <p>L-300mm</p>
--





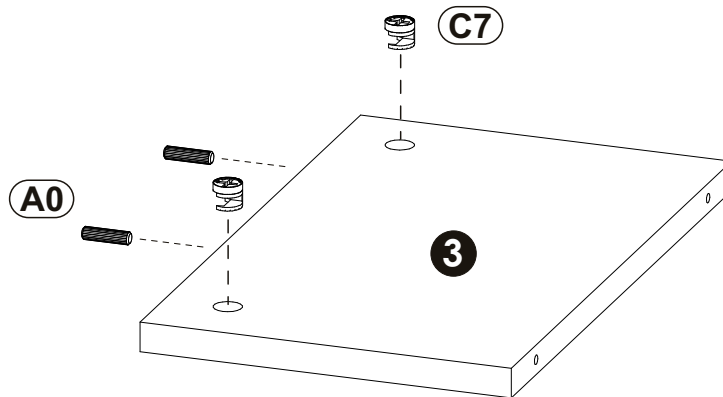
7 ▶

A0 8 x 30mm 	x4	C2 	x4	C7 16mm 	x4
--	-----------	--	-----------	--	-----------




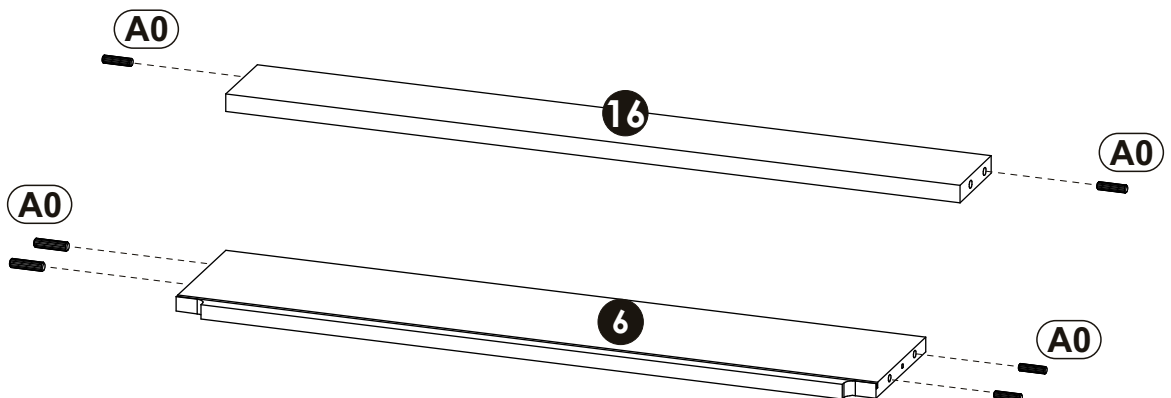
8 ▶

A0 8 x 30mm 	x2	C7 16mm 	x2
--	-----------	--	-----------

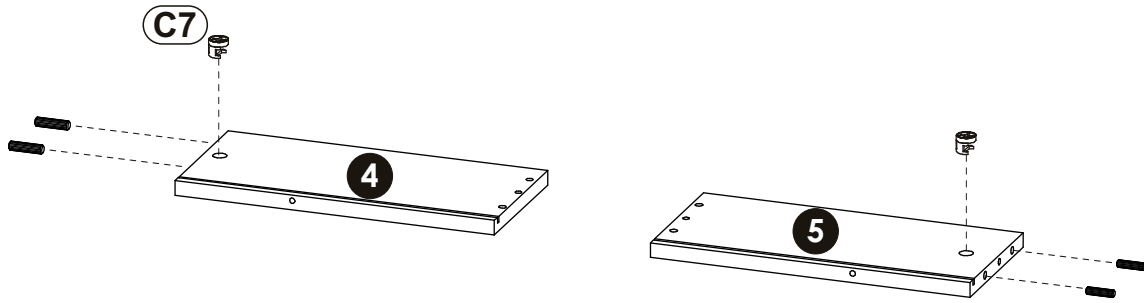
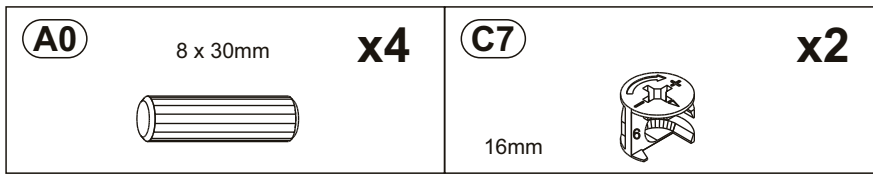


9 ▶

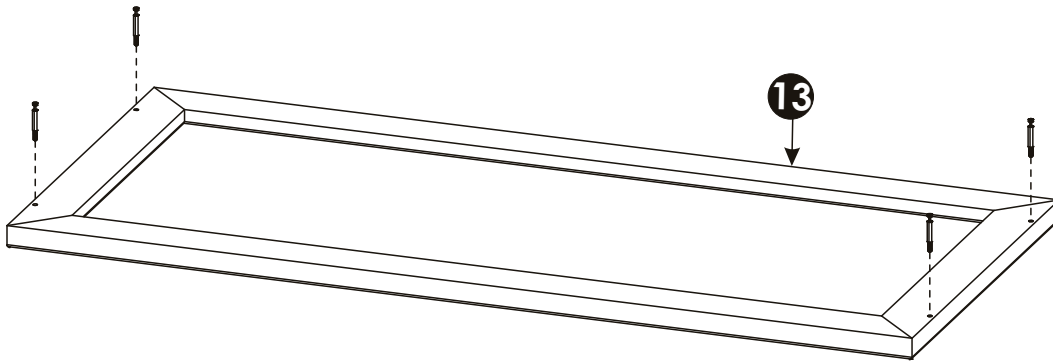
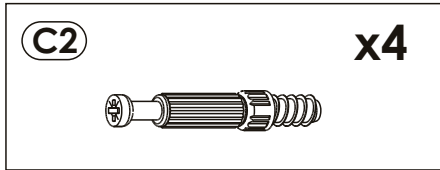
A0 8 x 30mm 	x6
--	-----------



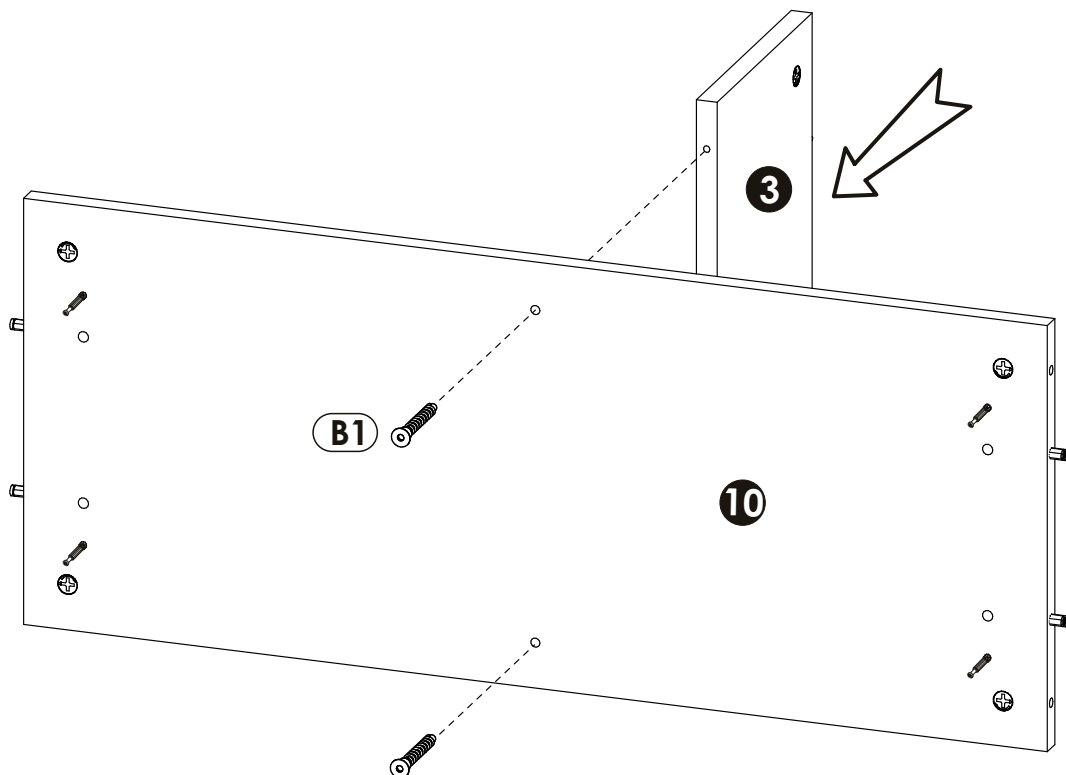
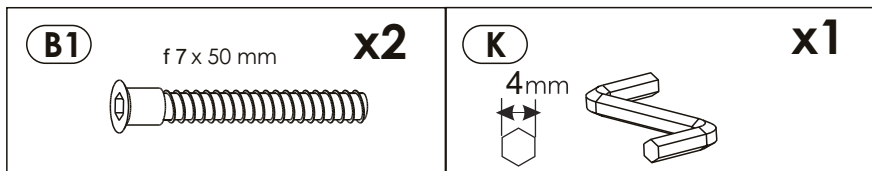
10 ▶



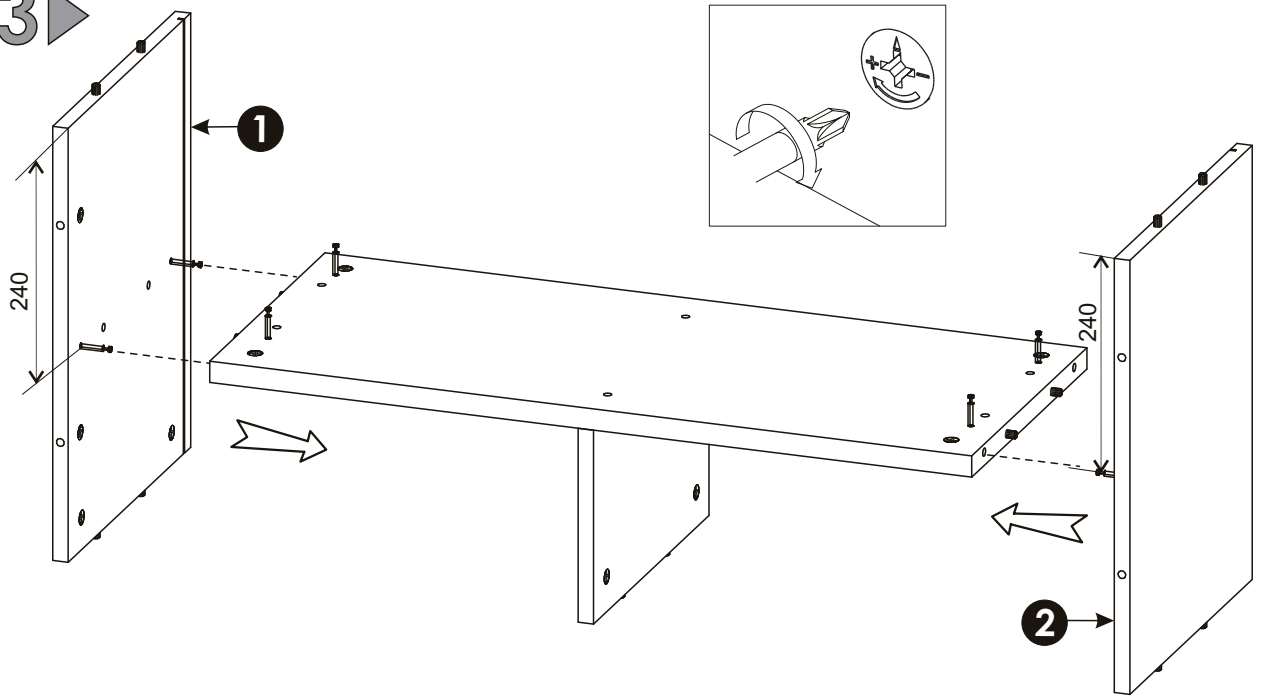
11 ▶



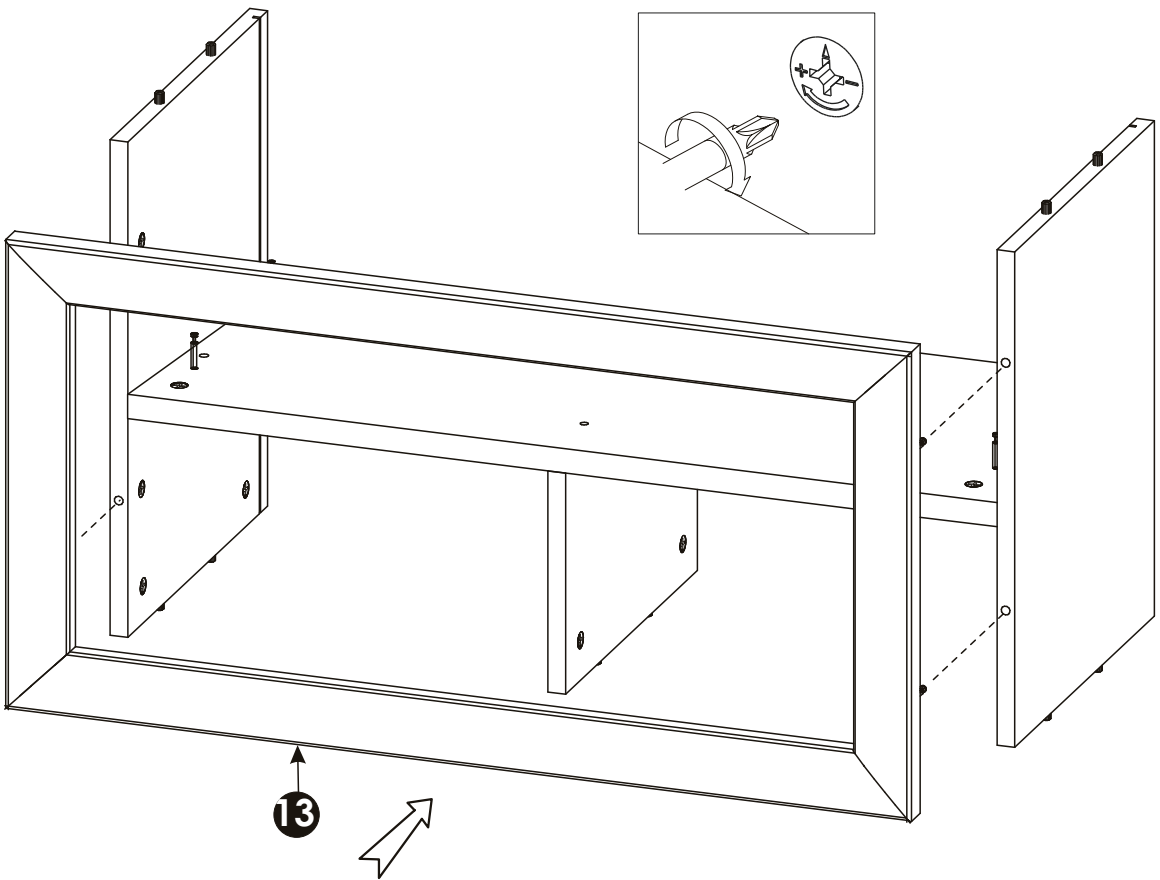
12 ▶




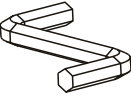
13 ▶

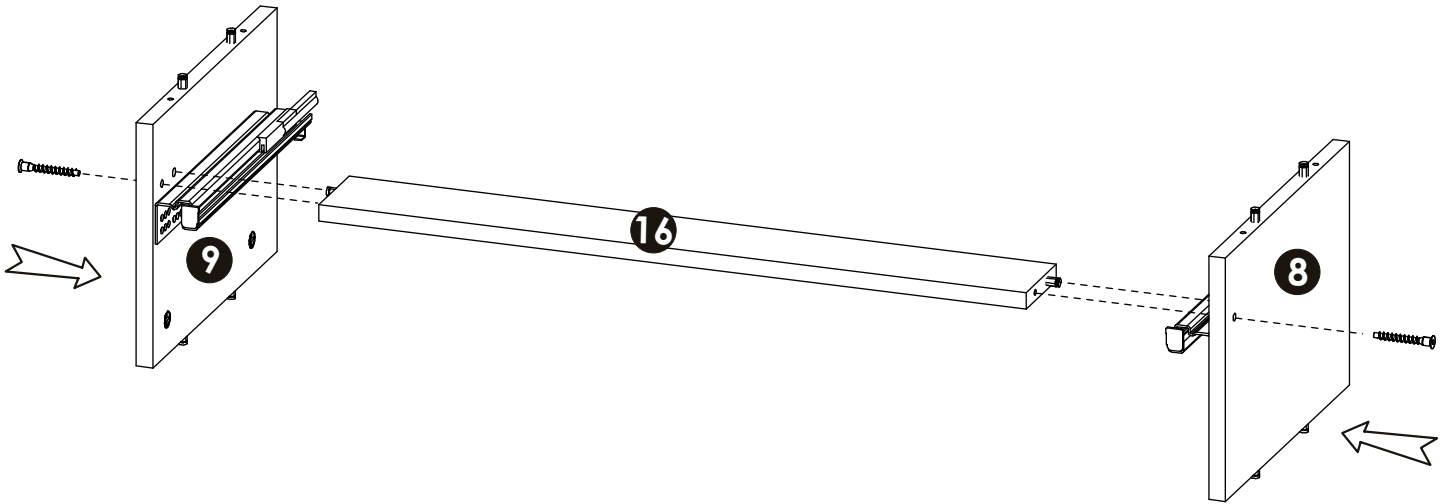


14 ▶

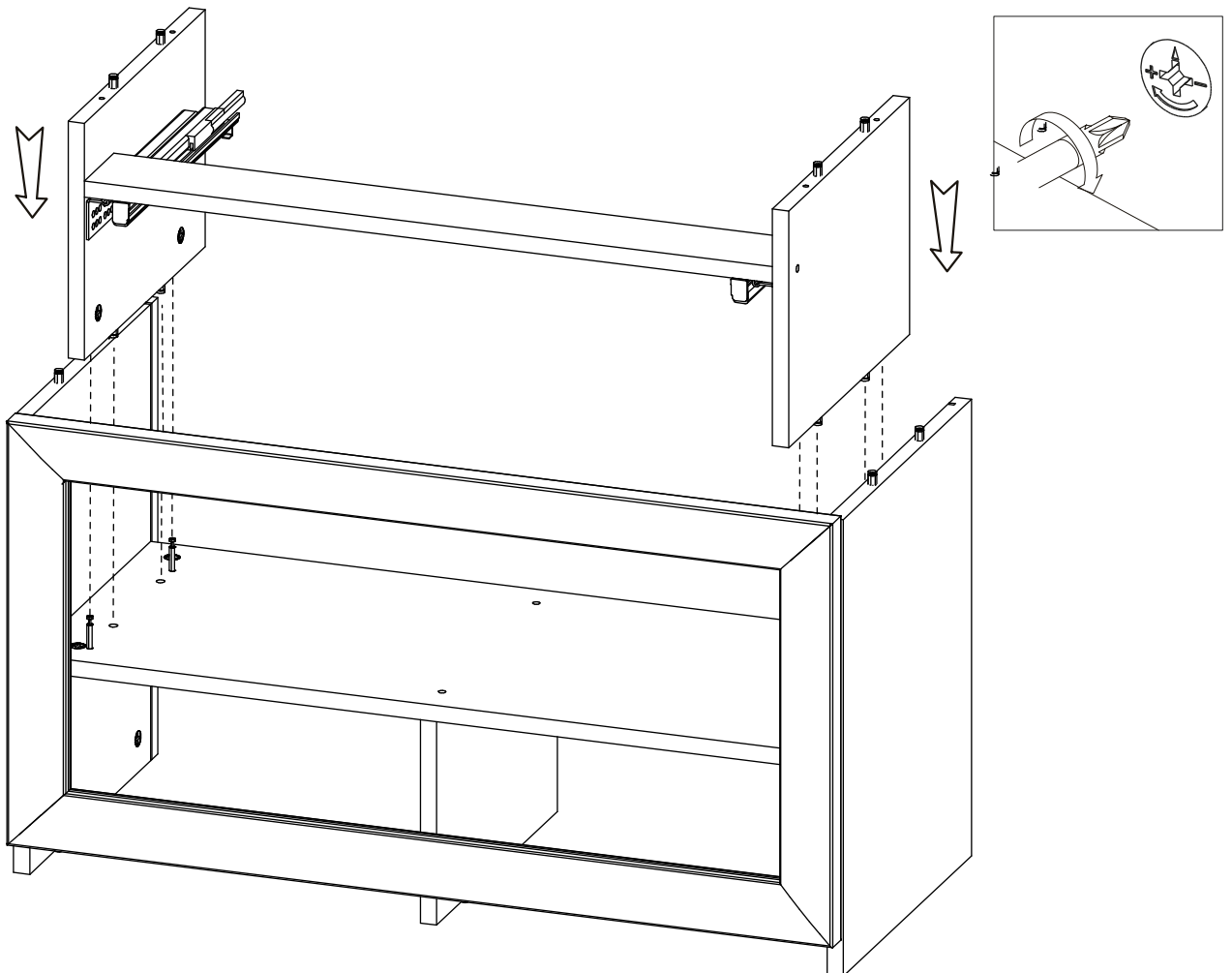


15▶

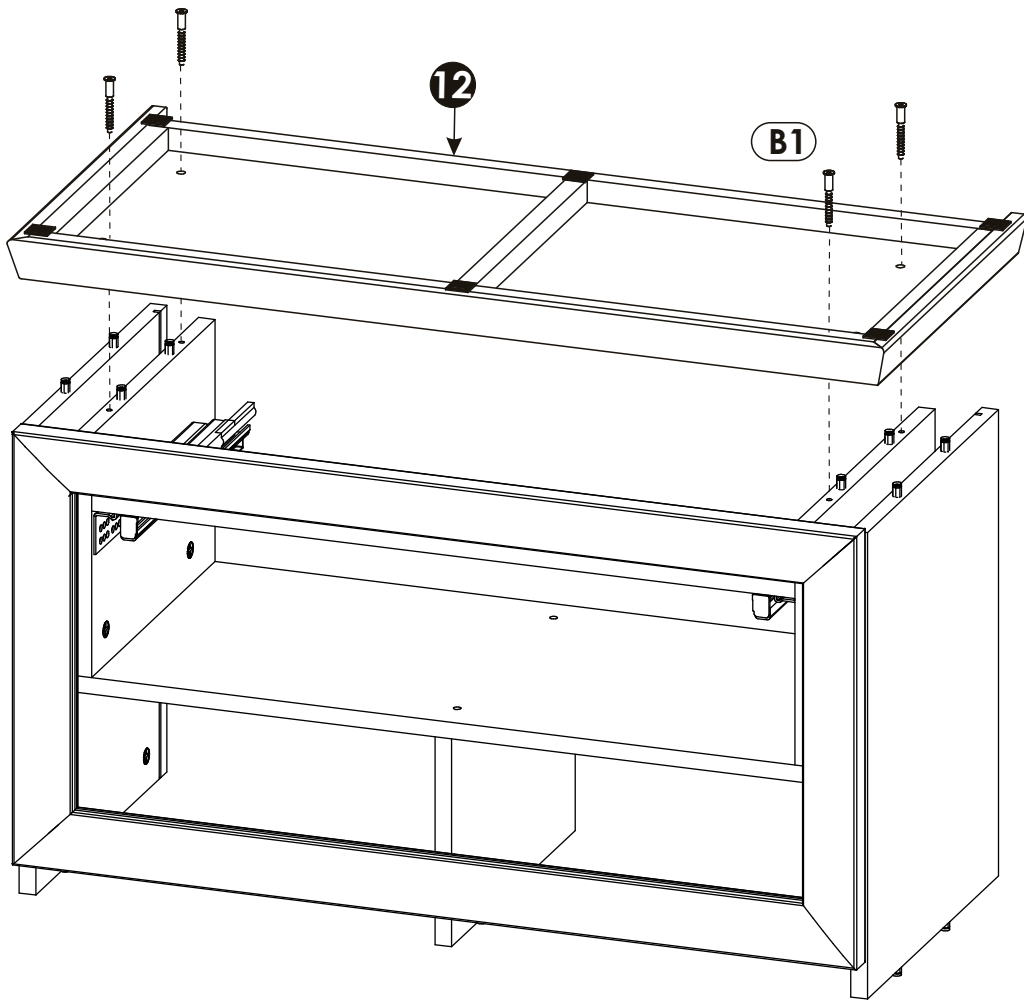
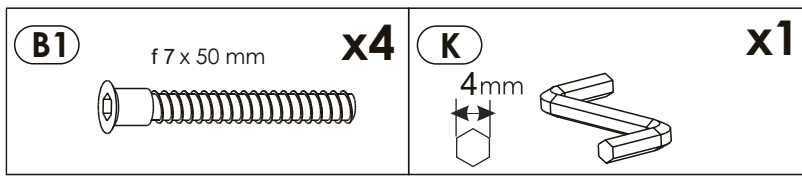
B1	f 7 x 50 mm	x2	K		x1
				4mm	



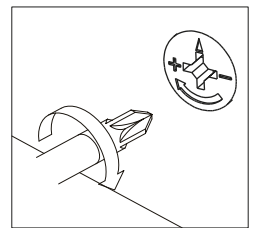
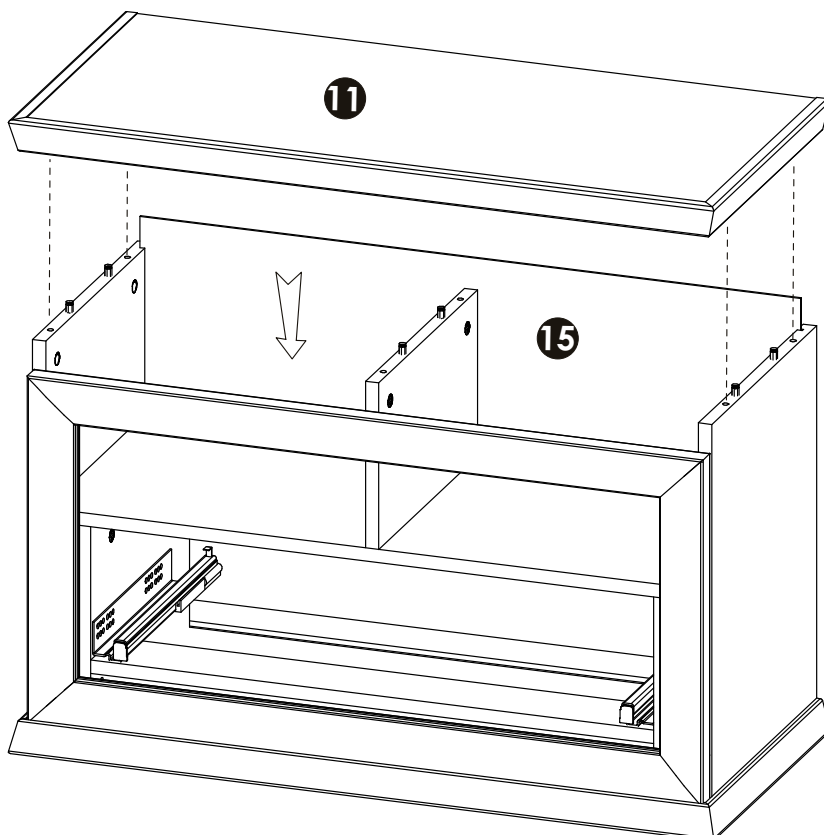
16▶





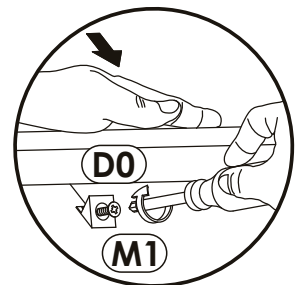
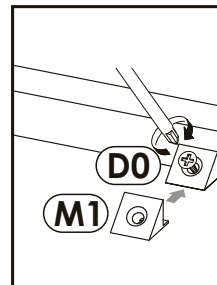
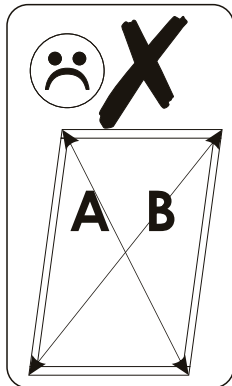
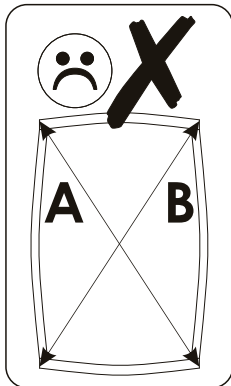
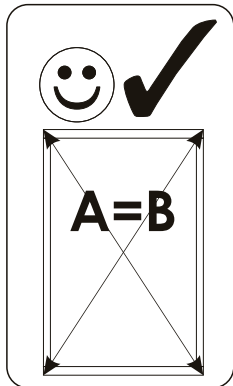
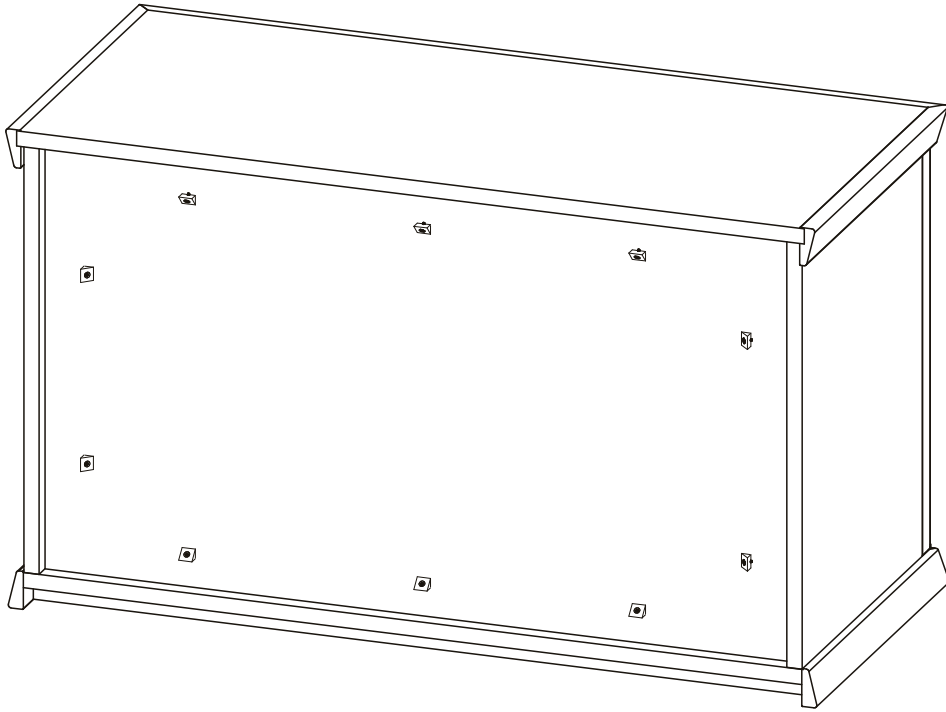
17 ▶



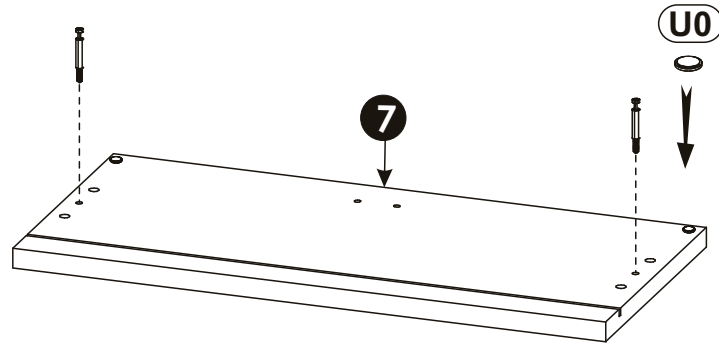
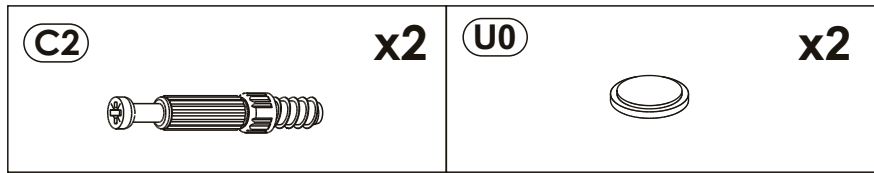
18 ▶



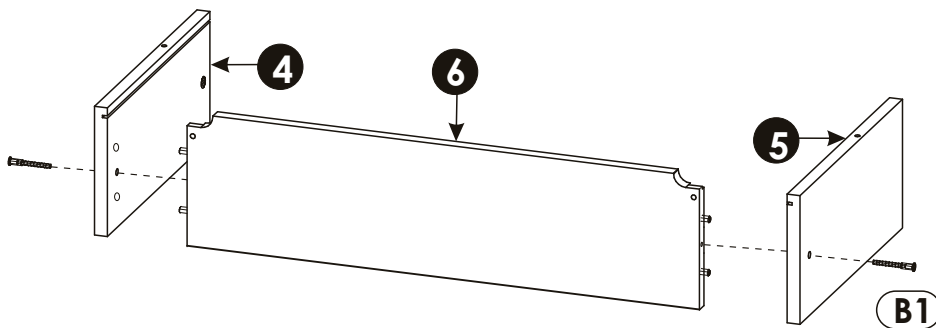
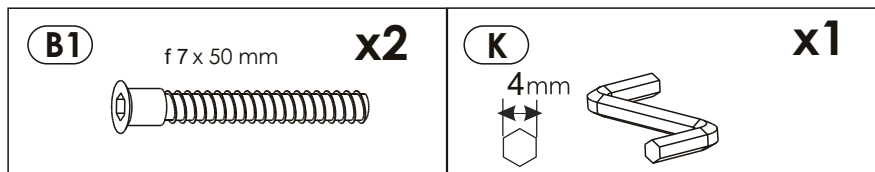
<p>D0 3 x 15 mm x10</p> 	<p>M1  x10</p>
---	---



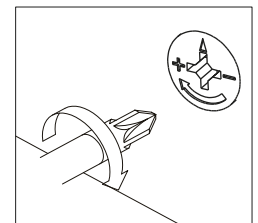
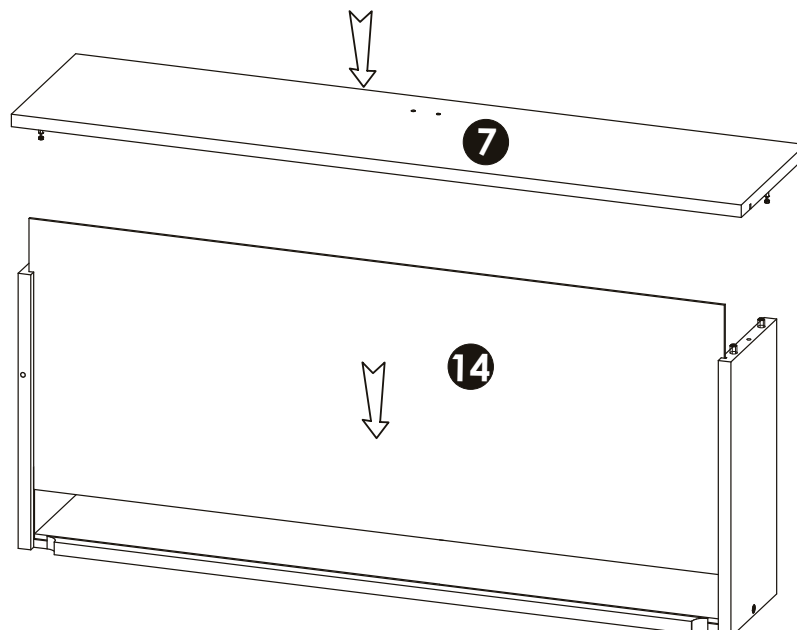
20 ▶



21 ▶

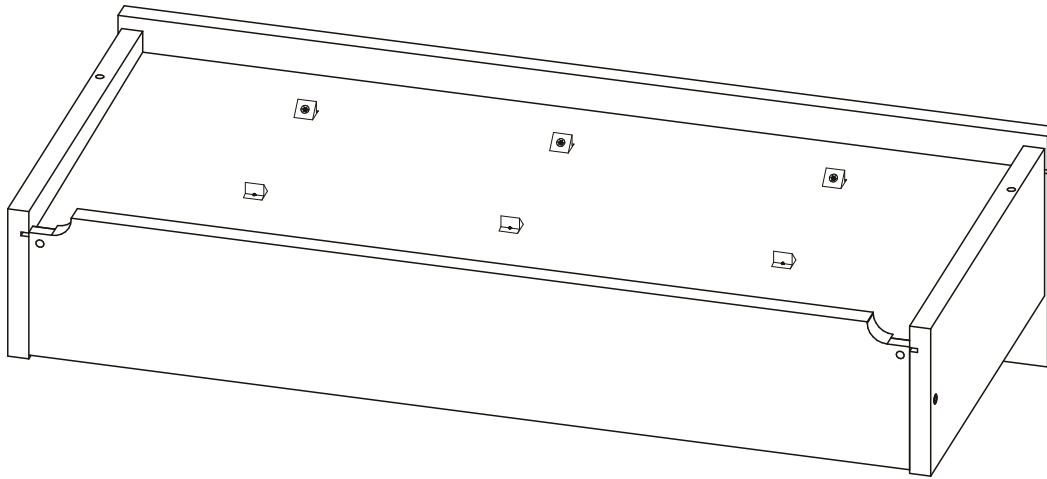
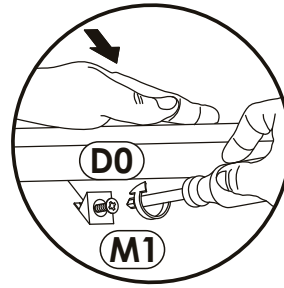
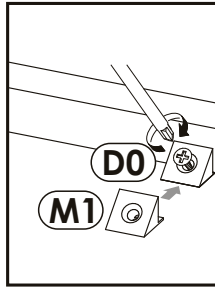
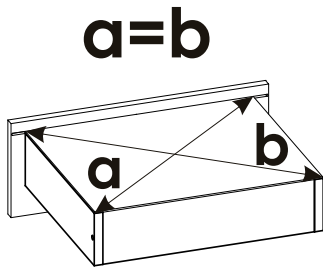


22 ▶



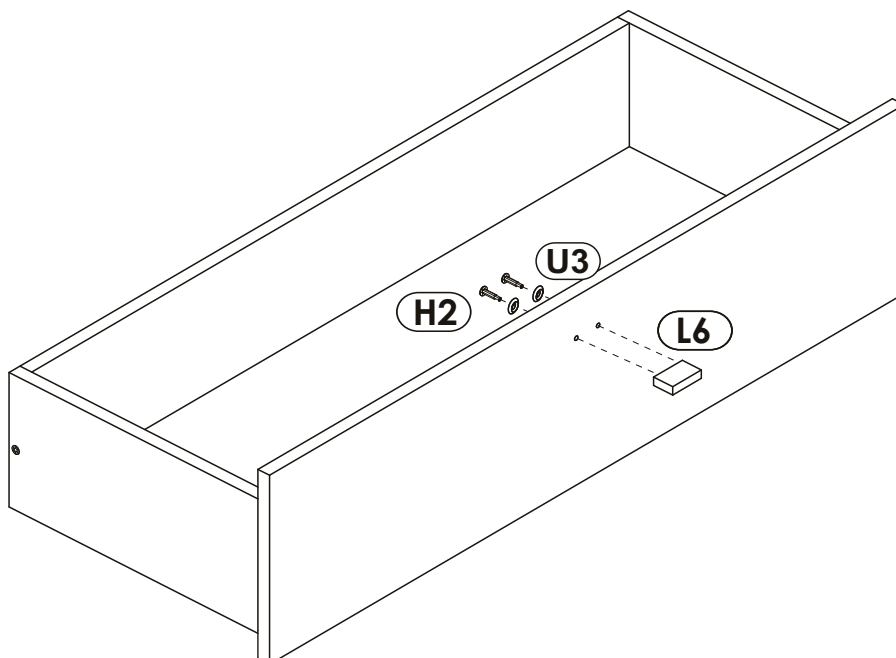
23 ▶

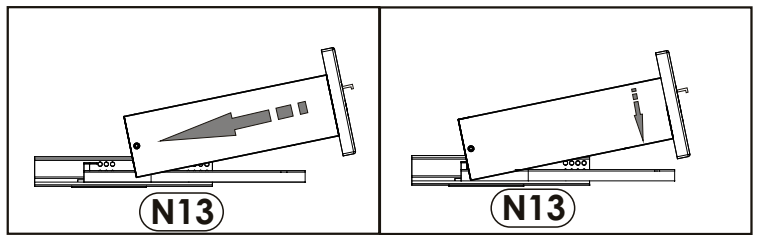
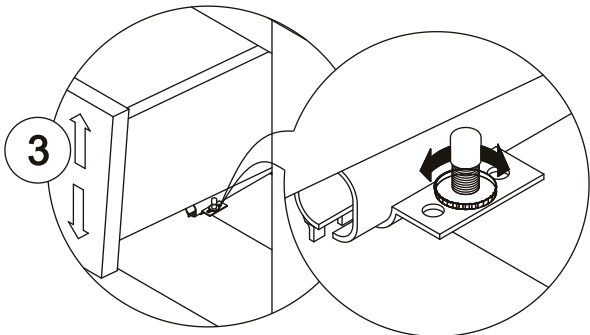
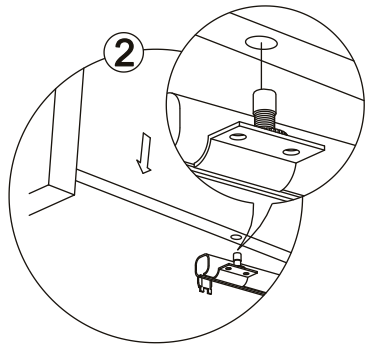
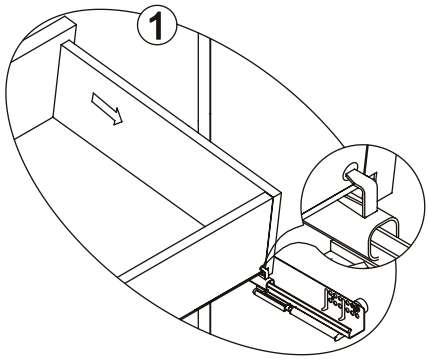
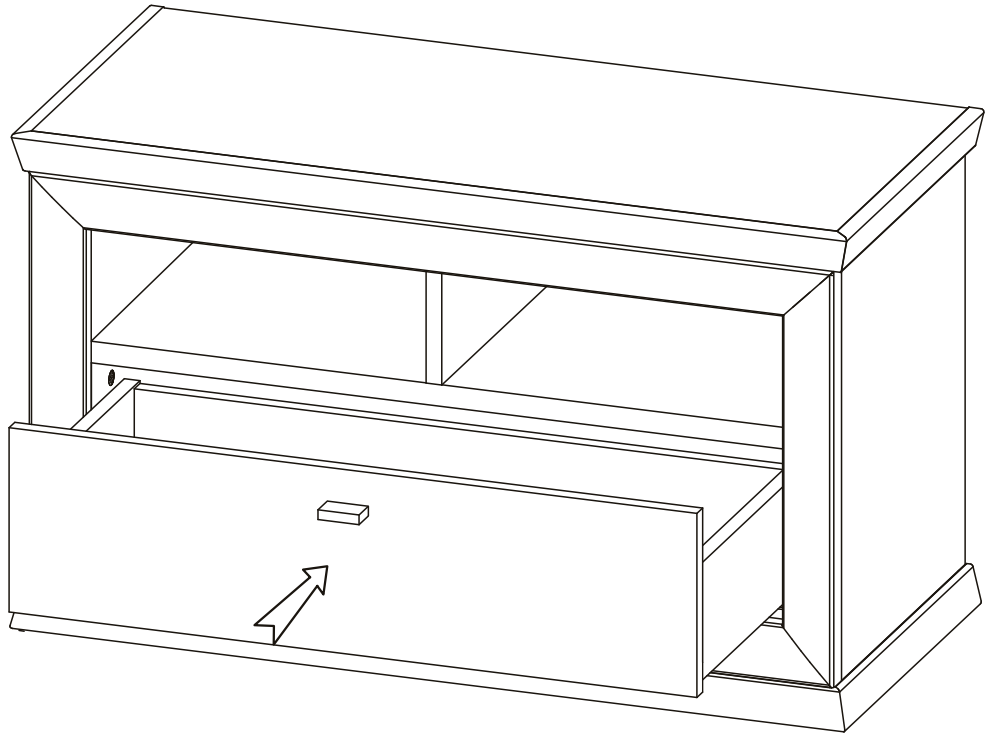
D0	3 x 15 mm	x6	M1		x6
-----------	-----------	-----------	-----------	--	-----------



24 ▶

H2	4 x 22 mm	x2	L6		x1	U3		x2
-----------	-----------	-----------	-----------	--	-----------	-----------	--	-----------





26▶

