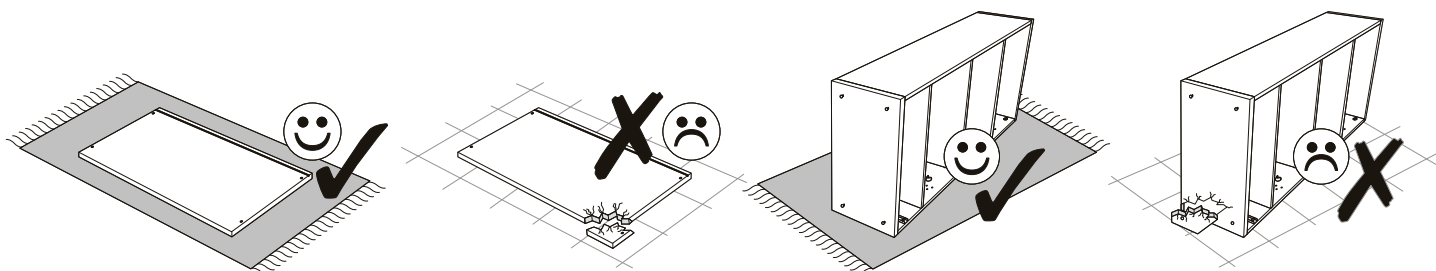
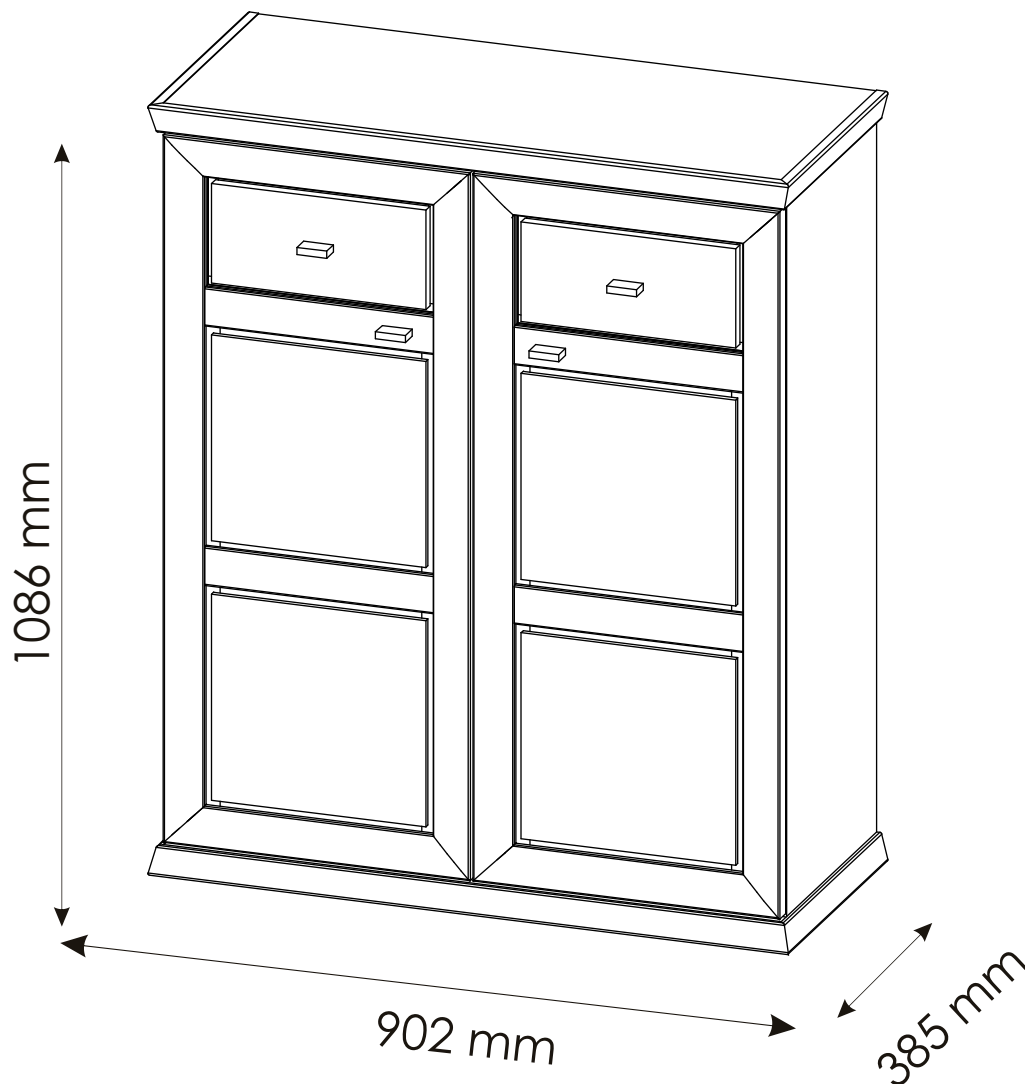
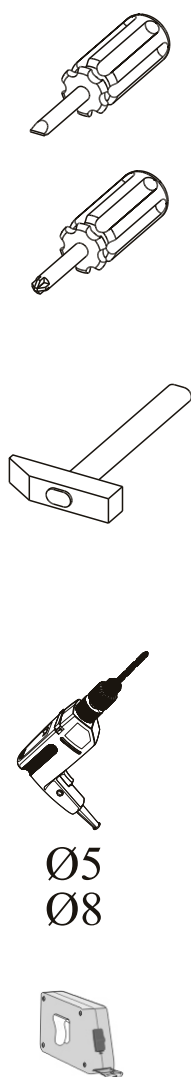
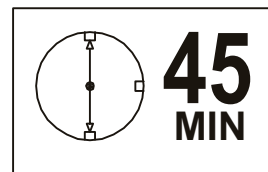
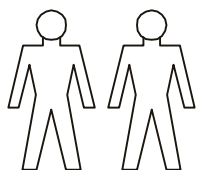









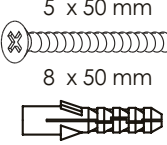
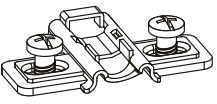
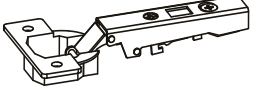
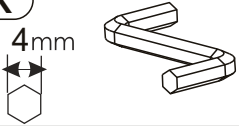

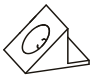
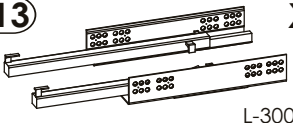
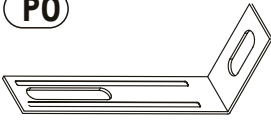





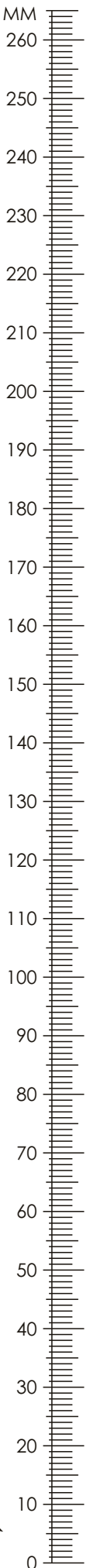
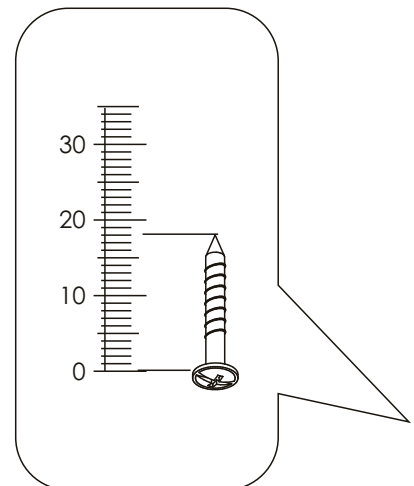


HARVEY - Schuhschrank




HARVEY - Schuhschrank

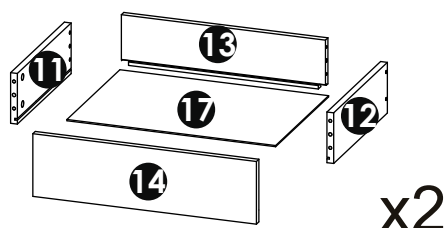
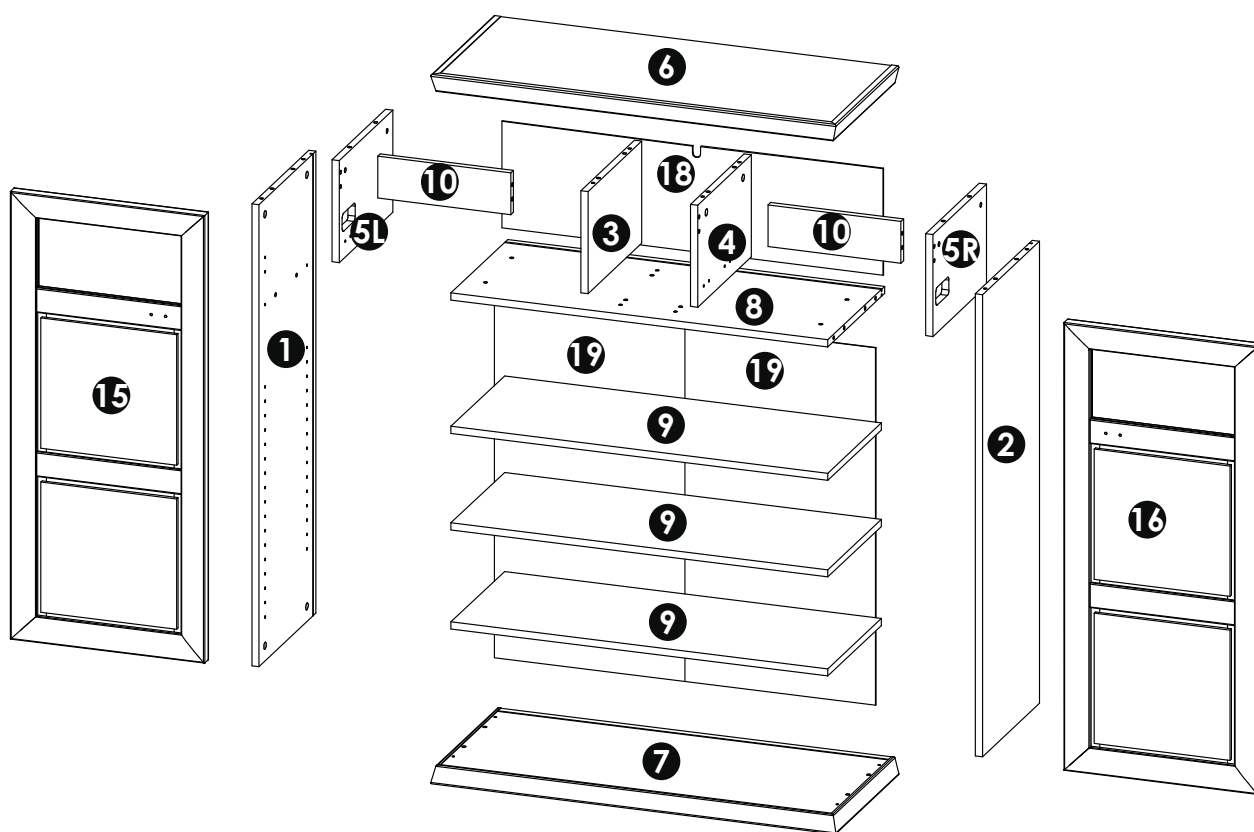
A0 8 x 30mm x44 	B1 f 7 x 50 mm x8 	C0 x8 
C2 x20 	C7 16mm x20 	D0 3 x 15 mm x16 
D10 4 x 16 mm x8 	D21 5 x 13 mm x1 	D31 6,3 x 13 mm x16 
E0 5 x 50 mm 8 x 50 mm x1 	J3 x4 	J10 x4 
K 4mm x1 	L6 x4 	M1 x16 
N13 x2  L-300mm	P0 x1 	Q3 x12 
U0 x6 	U2 x6 	U3 x8 
H2 4 x 22 mm x8 		

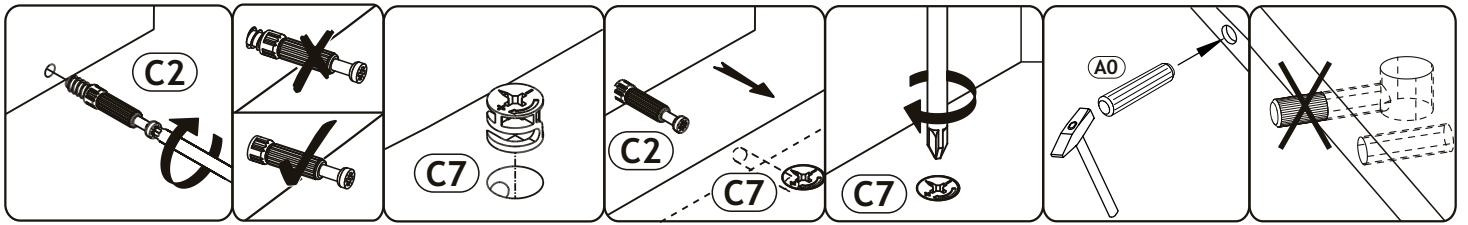


HARVEY - Schuhschrank

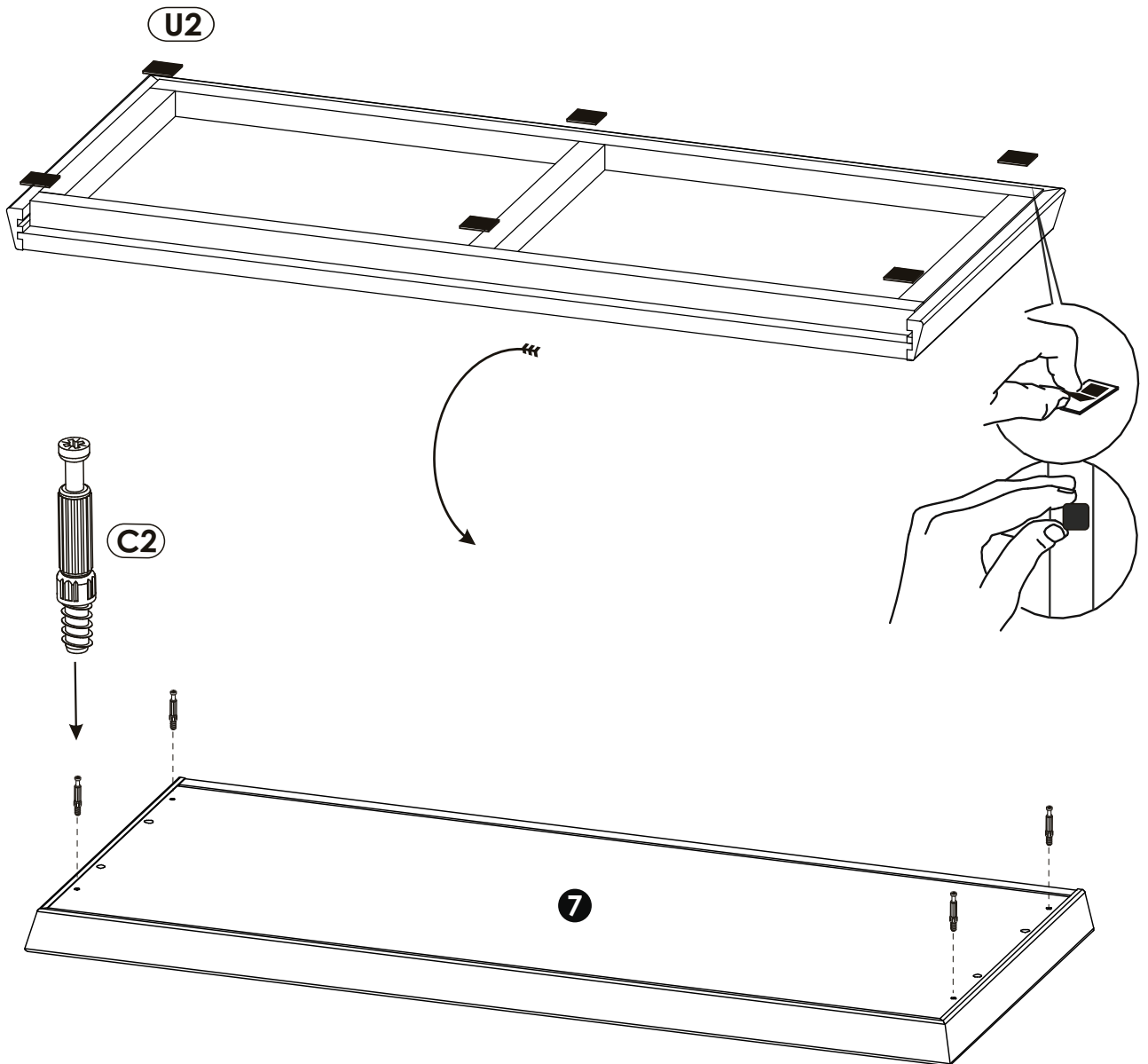
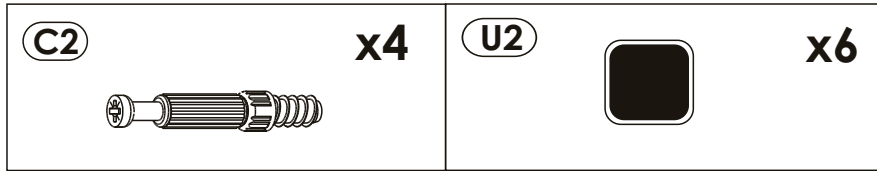
1	1028	348	16	1	1/3
2	1028	348	16	1	1/3
3	227	328	16	1	1/3
4	227	328	16	1	1/3
5	227	328	16	2	1/3
6	902	385	40	1	2/3
7	902	385	40	1	2/3
8	838	348	16	1	1/3
9	838	328	16	3	1/3
10	296	93	16	2	1/3

11	300	100	16	2	1/3
12	300	100	16	2	1/3
13	256	98	16	2	1/3
14	302	140	16	2	1/3
15	1000	432	25	1	3/3
16	1000	432	25	1	3/3
17	266	294	3	2	1/3
18	848	237	3	1	3/3
19	795	424	3	2	3/3
20					1/3






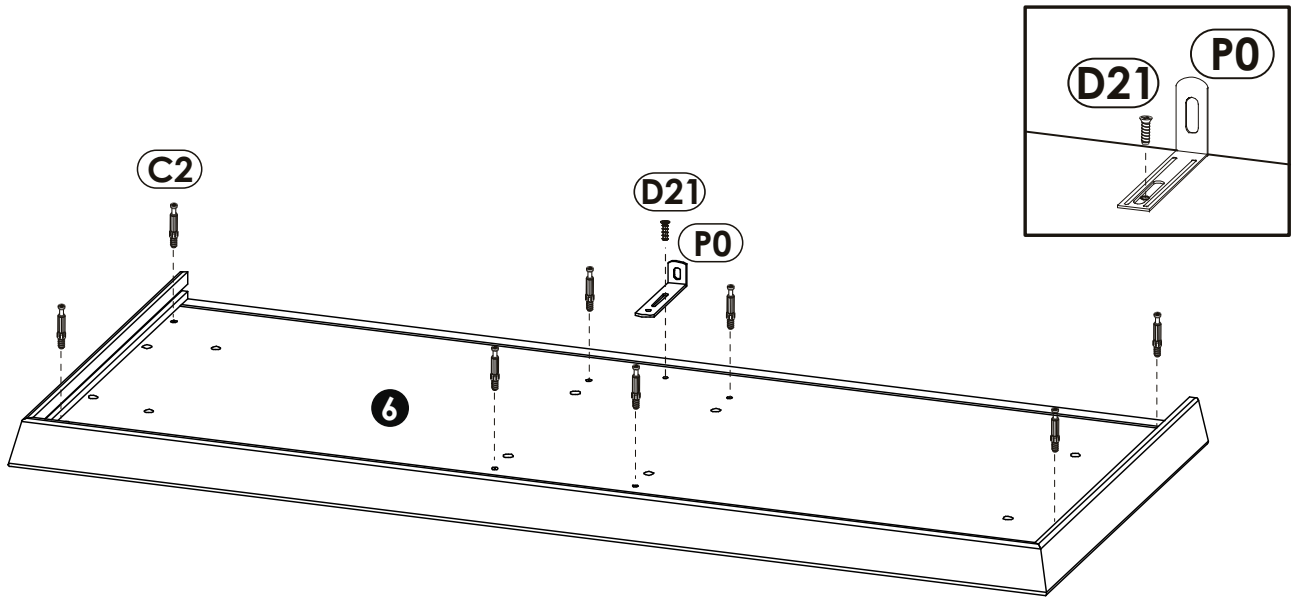


1 ▶

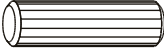



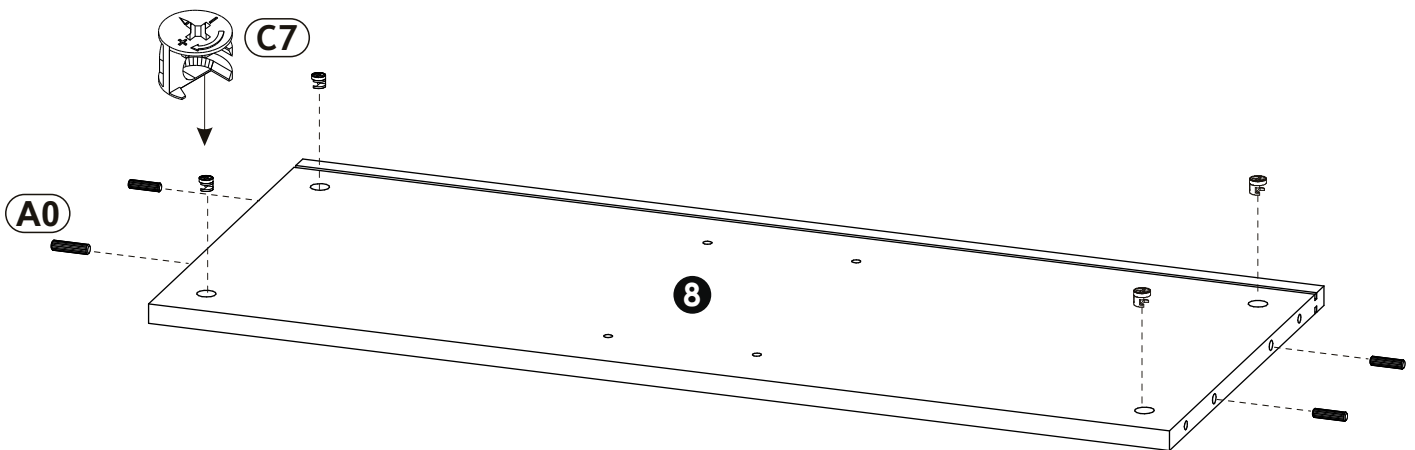
2▶

(C2)  x8	(D21) 5 x 13 mm  x1	(P0)  x1
--	--	---



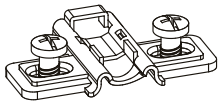


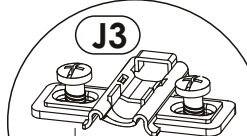


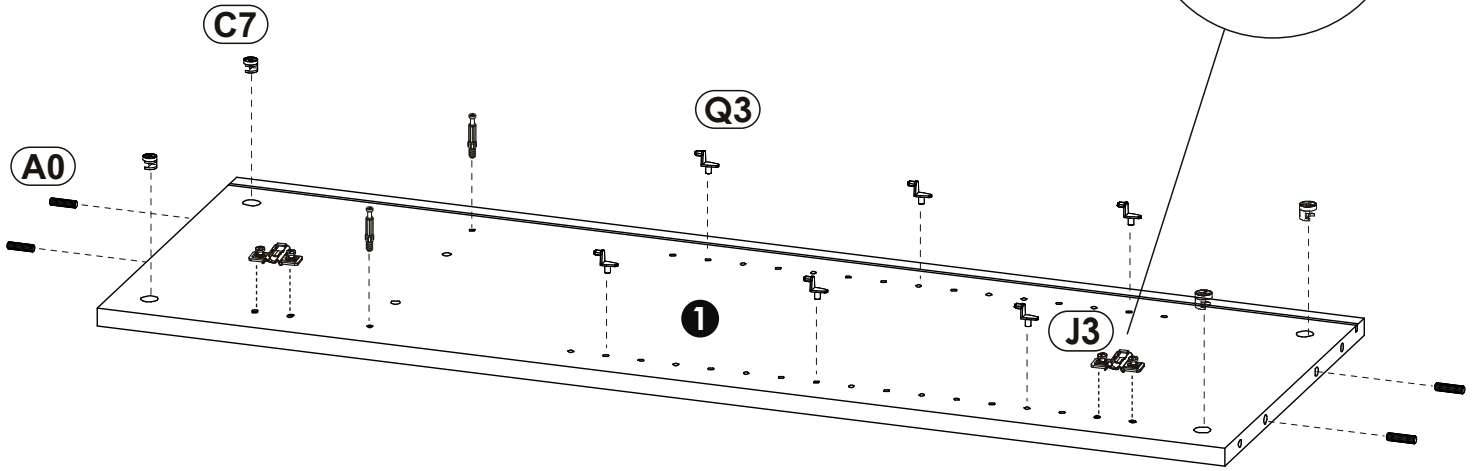
3▶

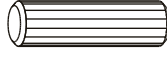

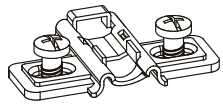
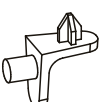

(A0) 8 x 30mm  x4	(C7) 16mm  x4
--	--

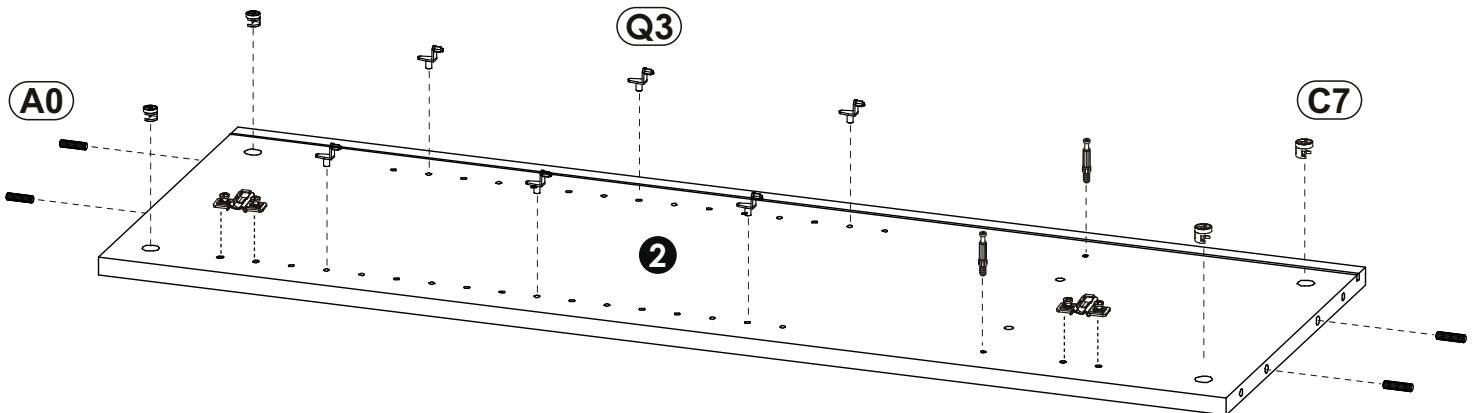


4




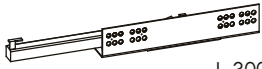
A0 8 x 30mm 	x4	C7 16mm 	x4	J3 	x2
Q3 	x6	C2 	x2		

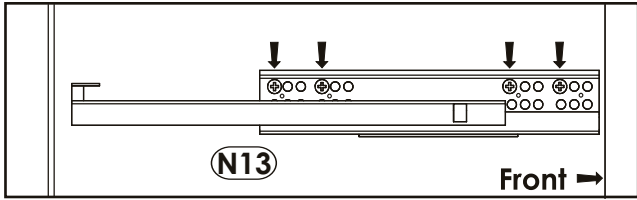
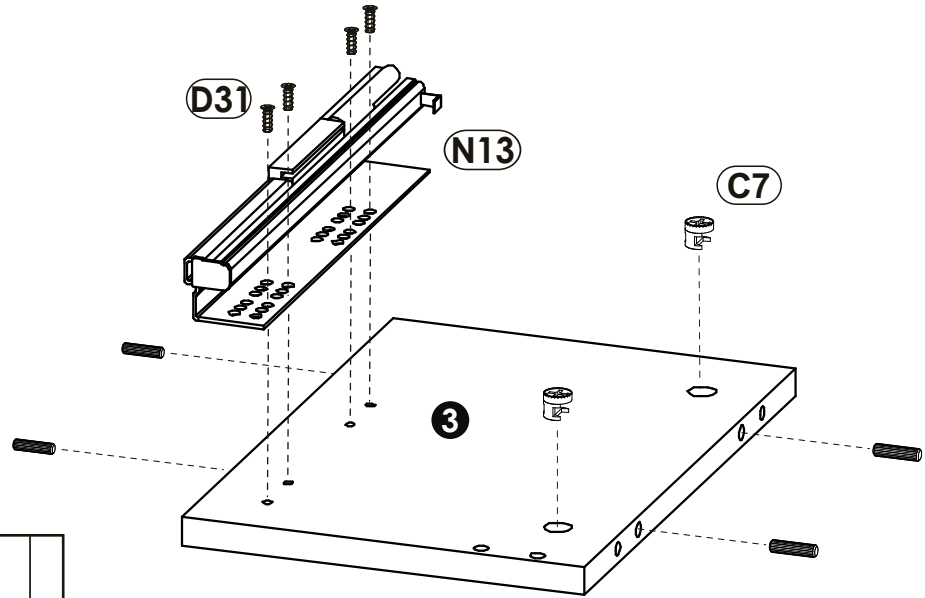
**5**

A0 8 x 30mm 	x4	C7 16mm 	x4	J3 	x2
Q3 	x6	C2 	x2		




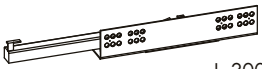


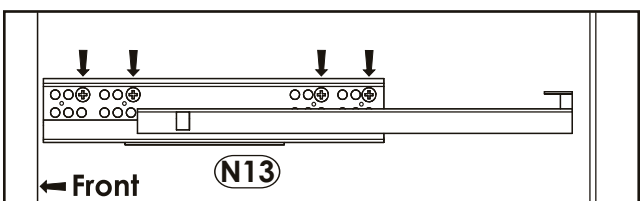
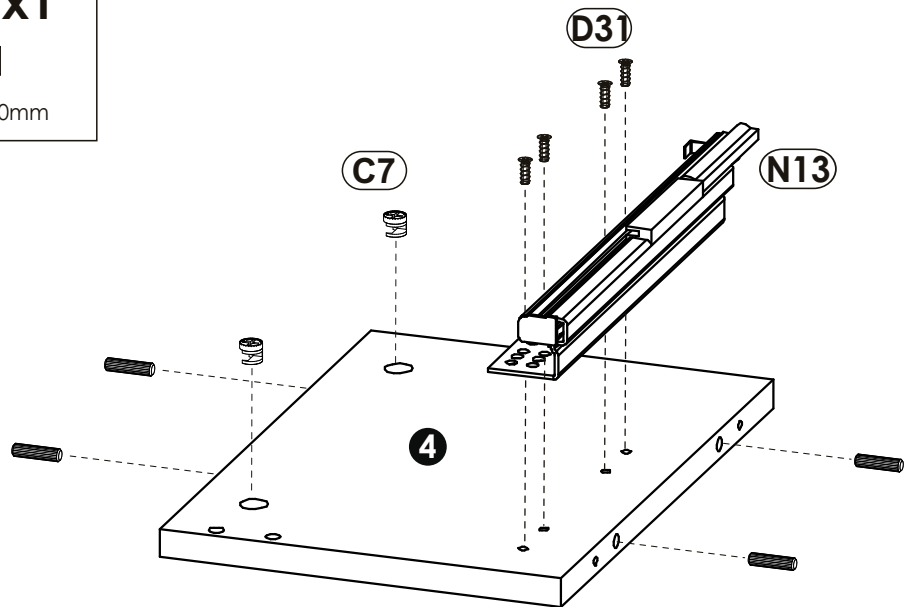
6 ▶



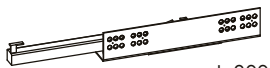
<p>A0 8 x 30mm x4</p> 	<p>C7 16mm x2</p> 	<p>D31 6,3 x 13 mm x4</p> 
<p>N13 x1</p>  <p>L-300mm</p>		

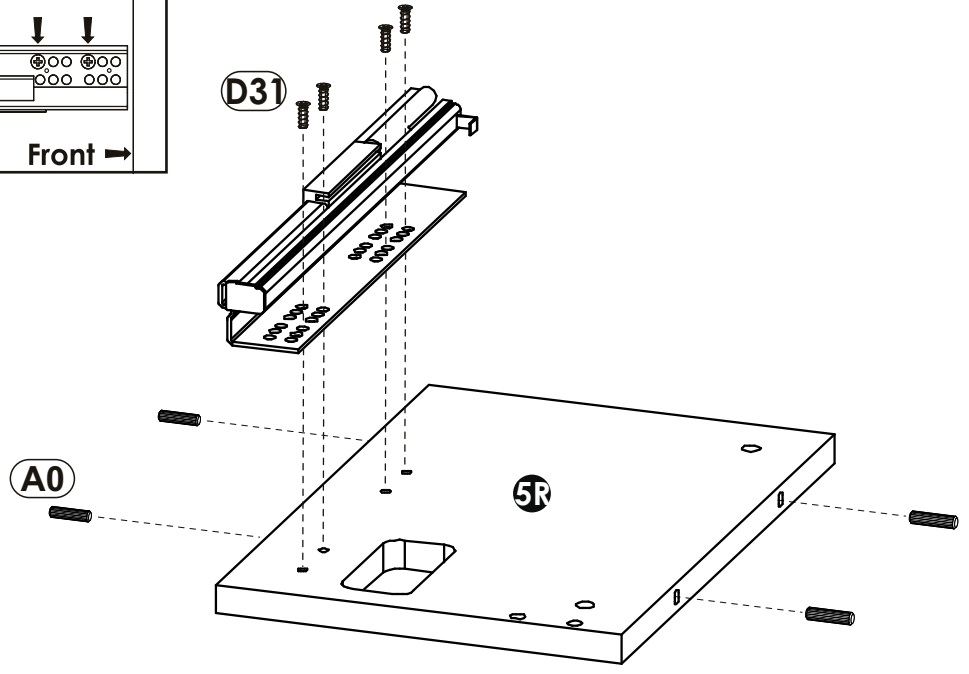
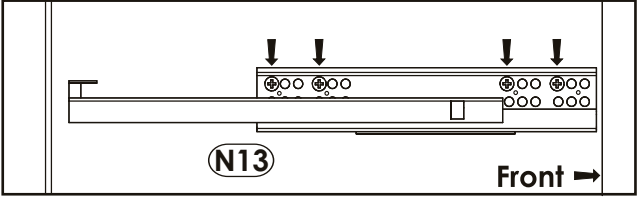




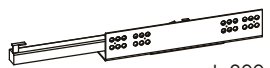
7 ▶

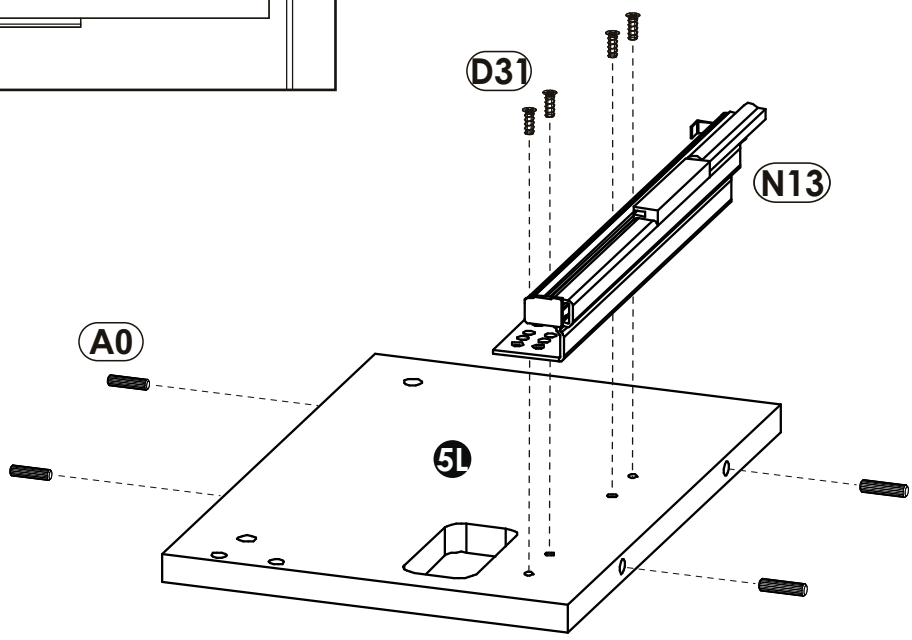
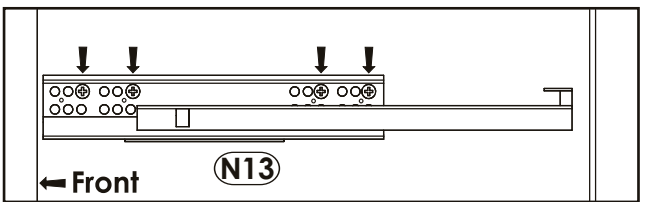
<p>A0 8 x 30mm x4</p> 	<p>C7 16mm x2</p> 	<p>D31 6,3 x 13 mm x4</p> 
<p>N13 x1</p>  <p>L-300mm</p>		





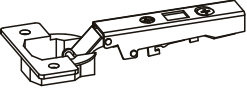



8 ▶	A0	8 x 30mm	x4	D31	6,3 x 13 mm	x4	N13	x1
							 L-300mm	

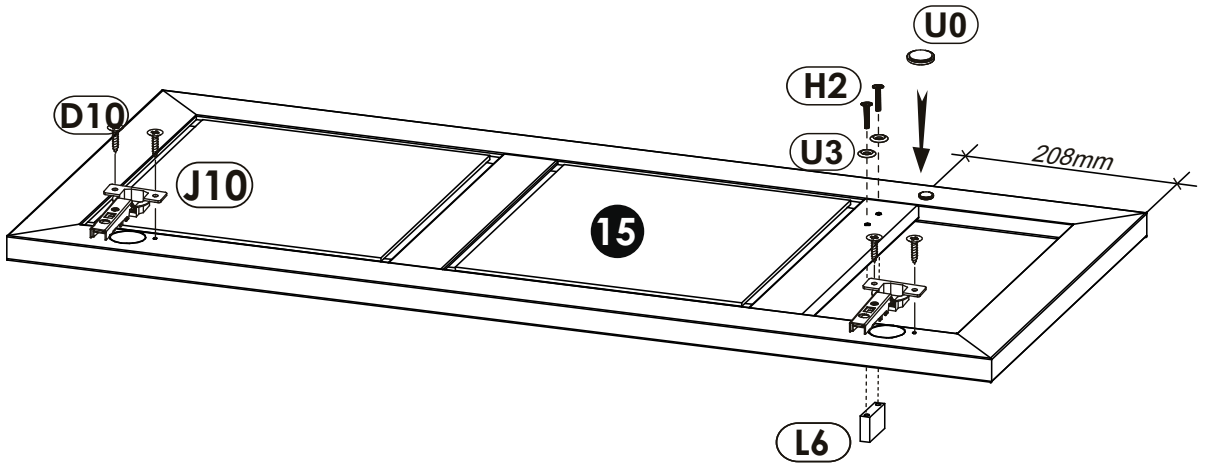


9 ▶	A0	8 x 30mm	x4	D31	6,3 x 13 mm	x4	N13	x1
							 L-300mm	



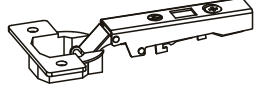





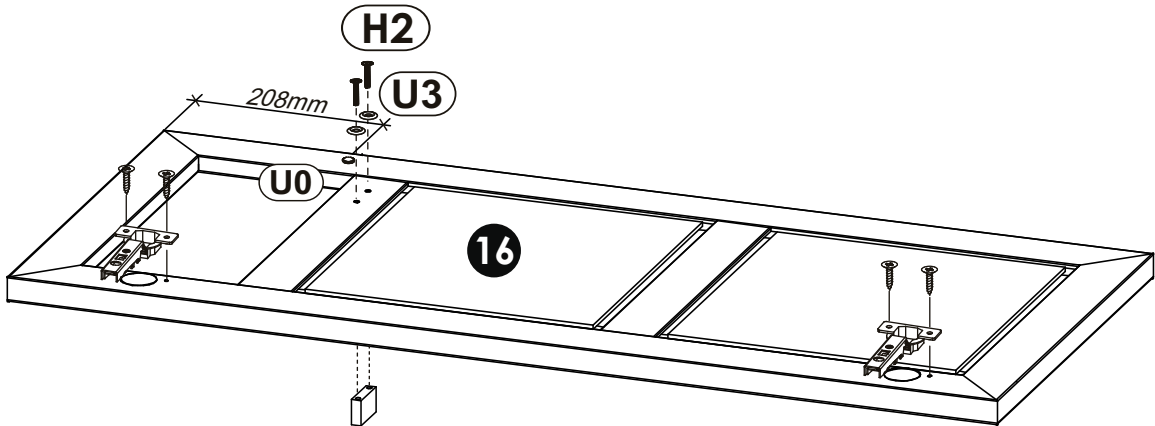
10 ▶

D10 4 x 16 mm x4 	H2 4 x 22 mm x2 	J10 x2 
L6 x1 	U3 x2 	U0 x1 

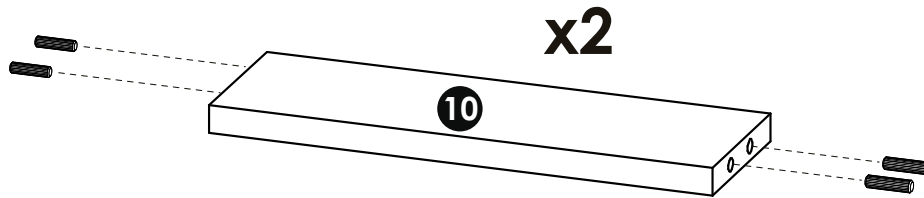
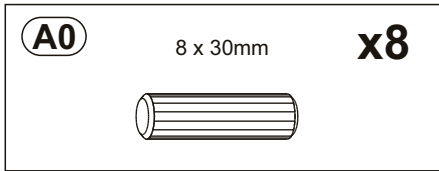


11 ▶






D10 4 x 16 mm x4 	H2 4 x 22 mm x2 	J10 x2 
L6 x1 	U3 x2 	U0 x1 

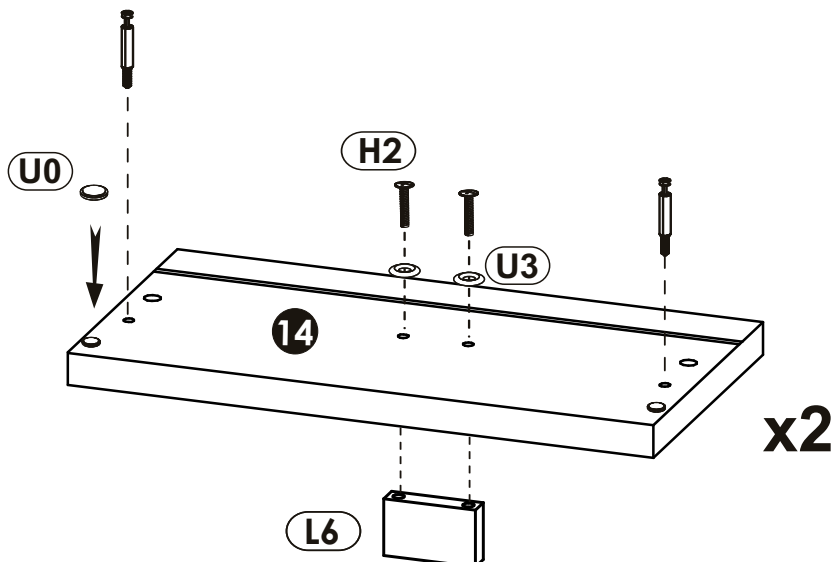


12▶

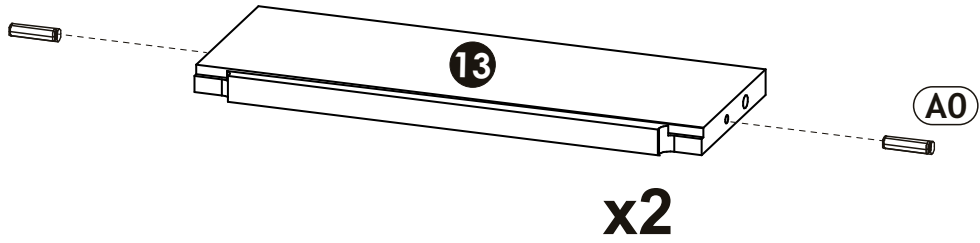
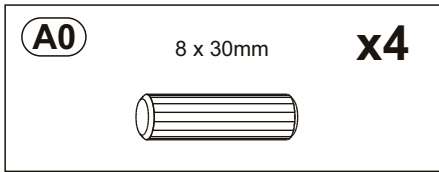


13▶

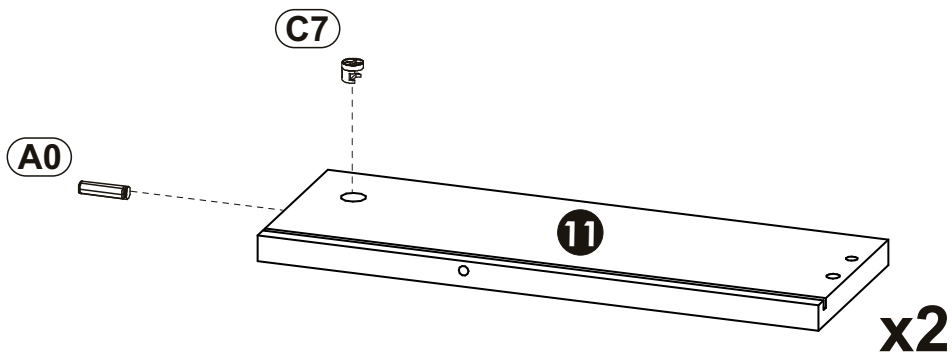
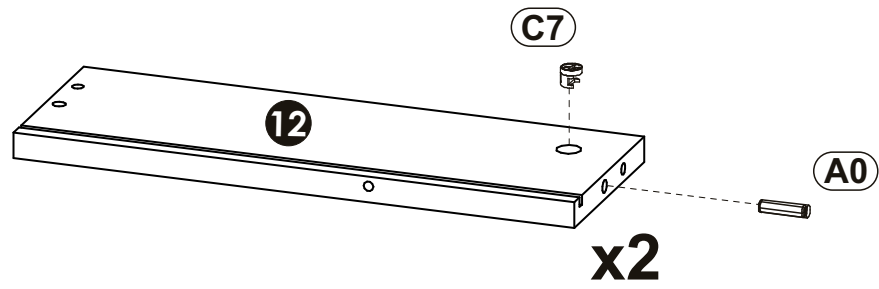
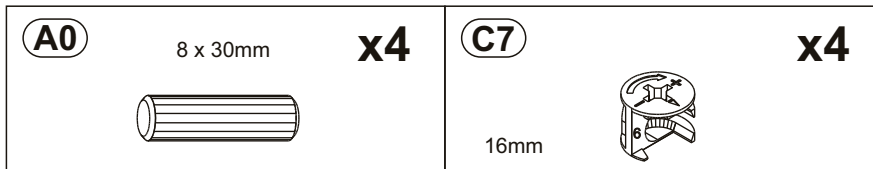
C2	x4	H2	4 x 22 mm	x4	L6		x2
							
U0	x4	U3		x4			
							



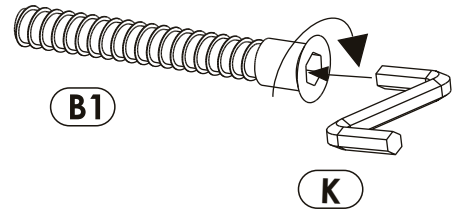
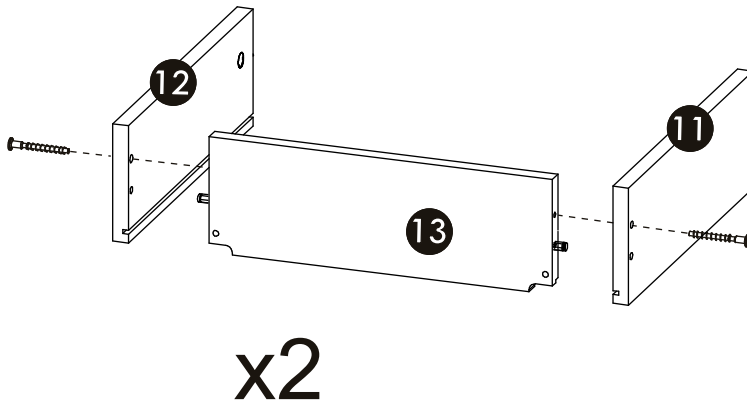
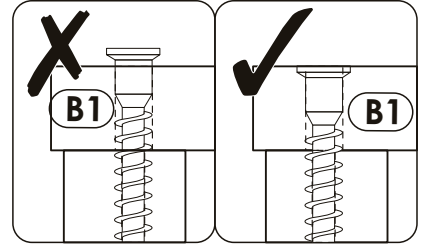
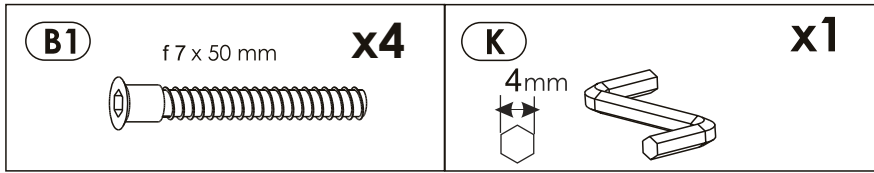
14▶



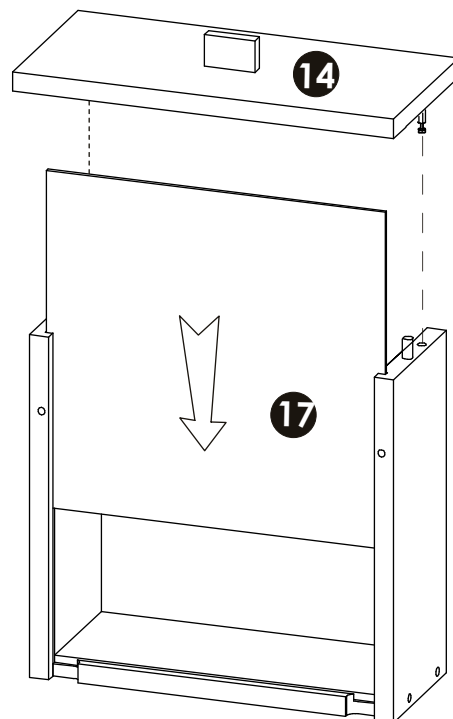
15▶



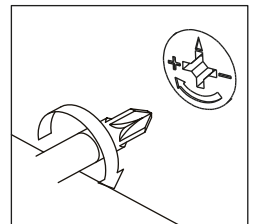
16▶



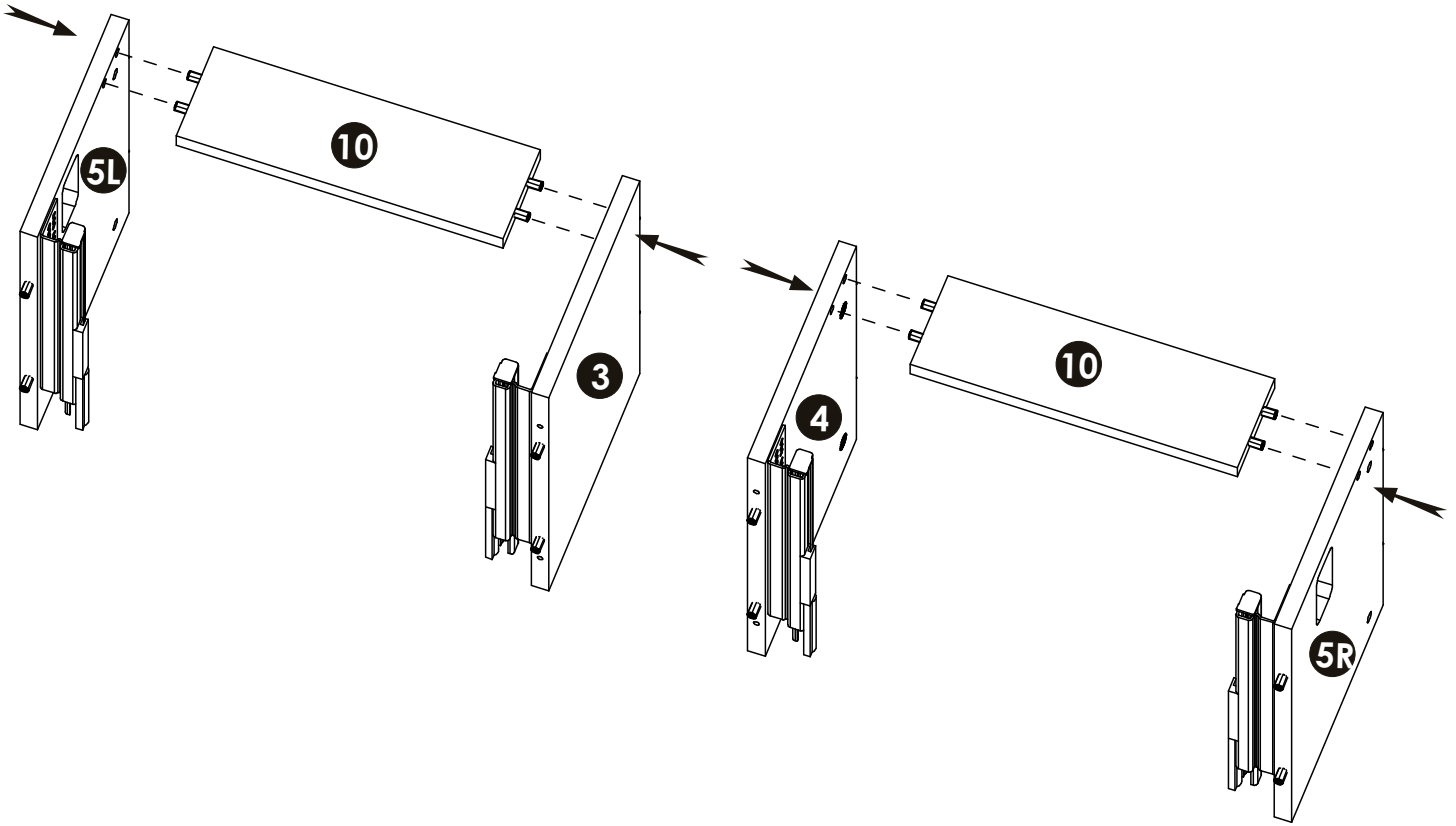
17▶



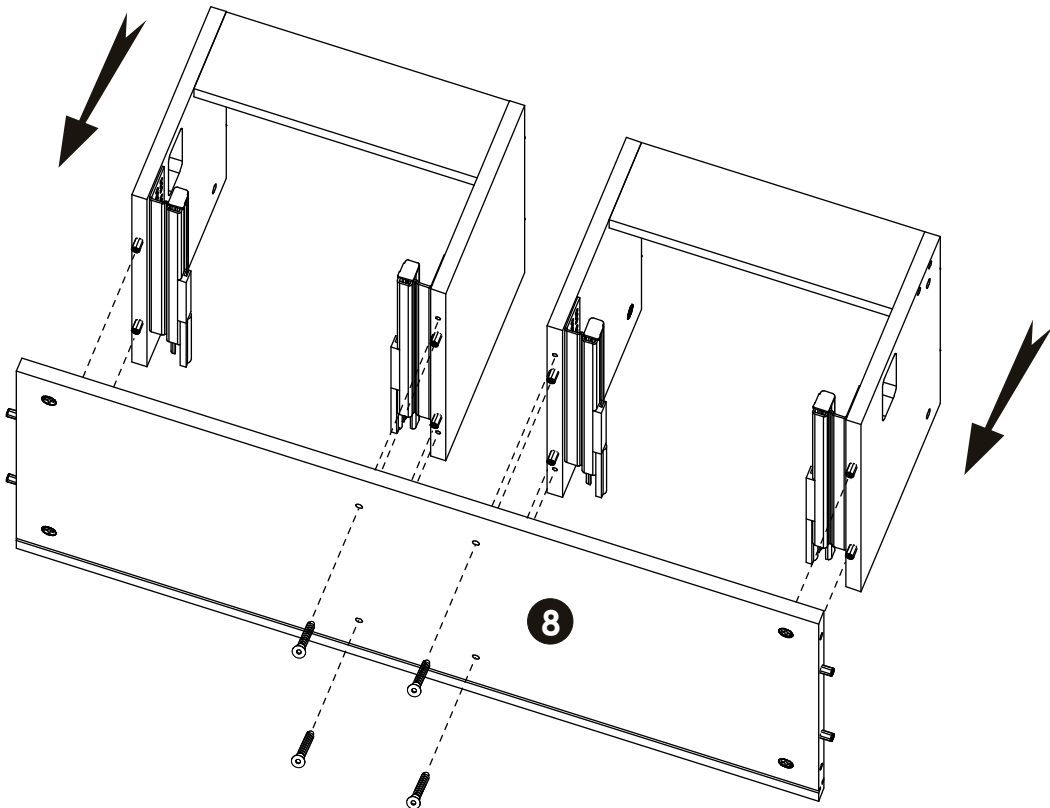
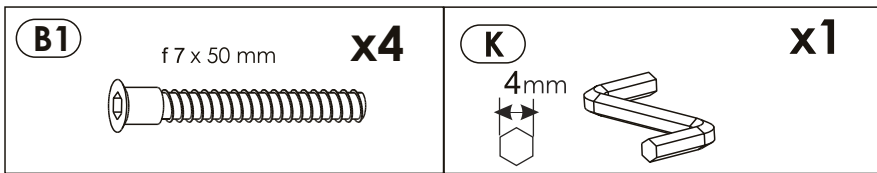
x2



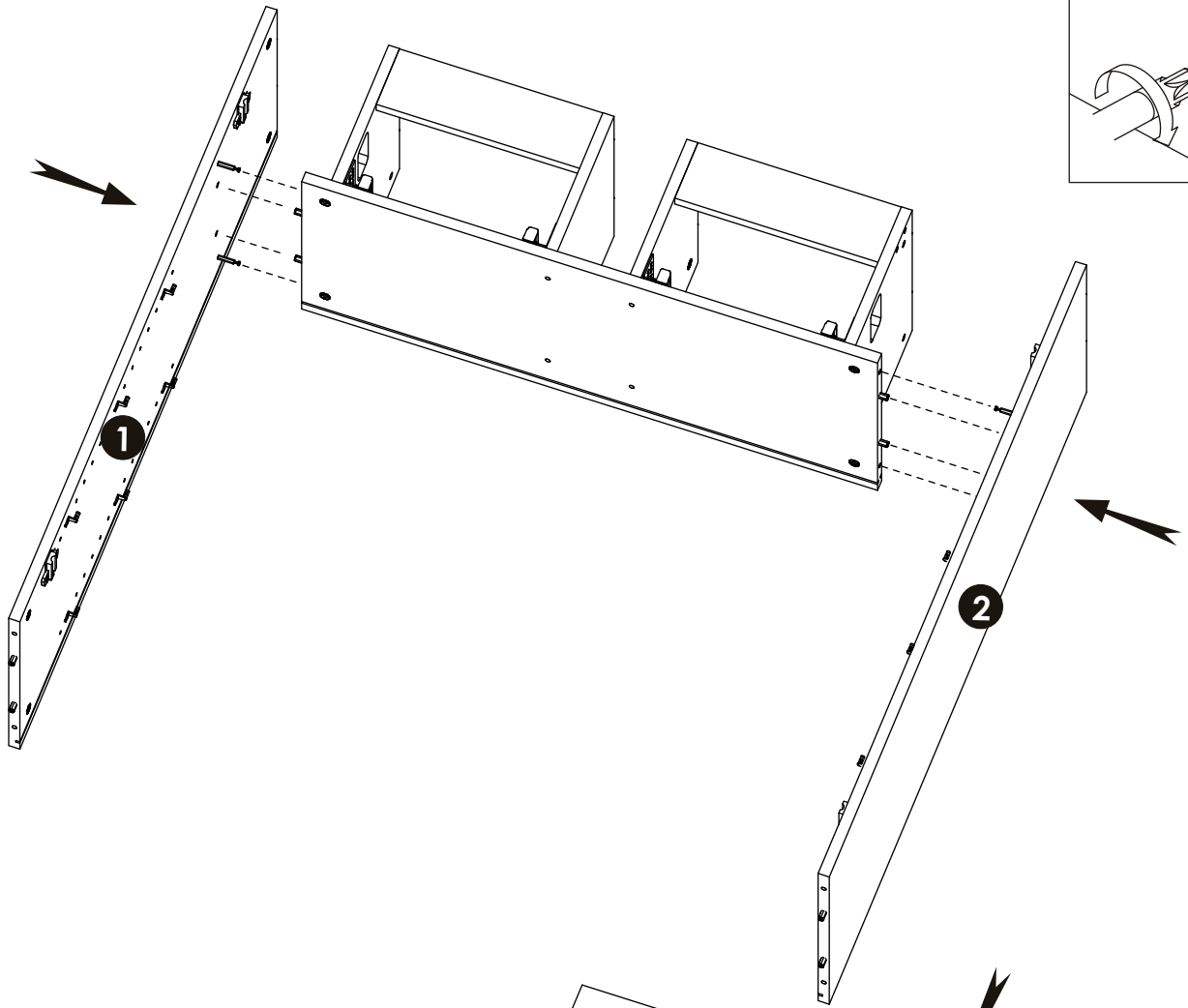
18▶



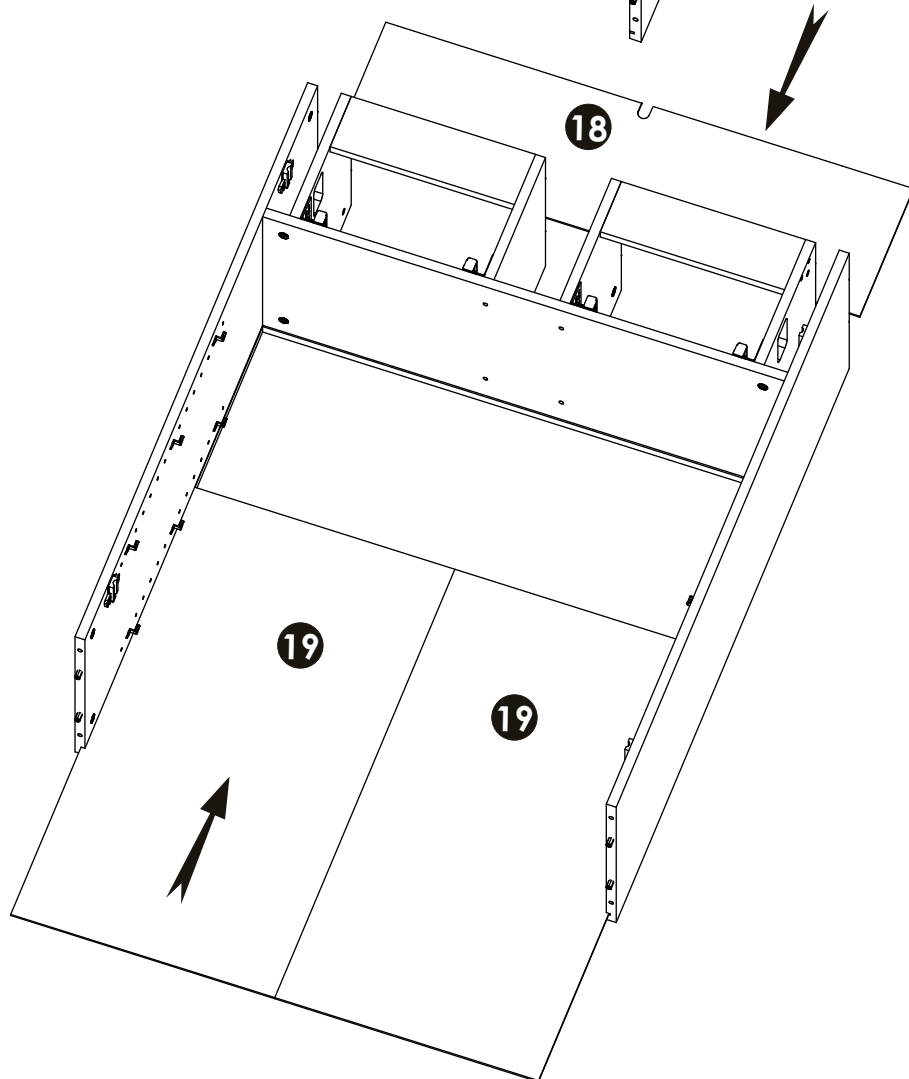
19▶



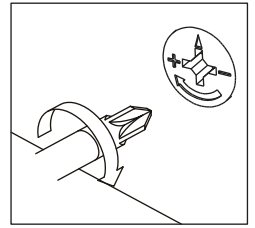
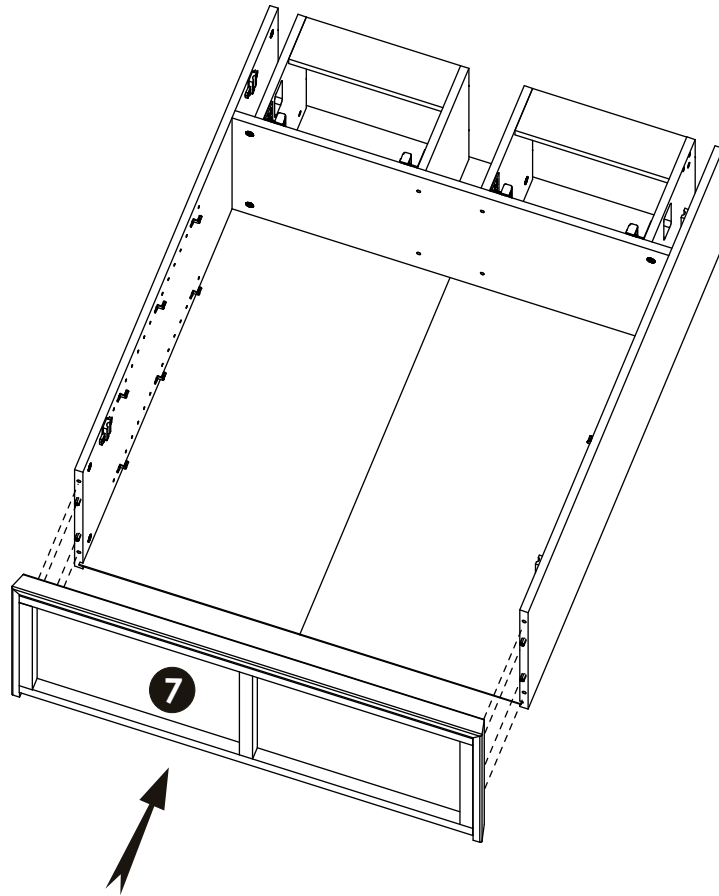
20▶



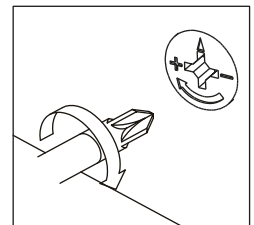
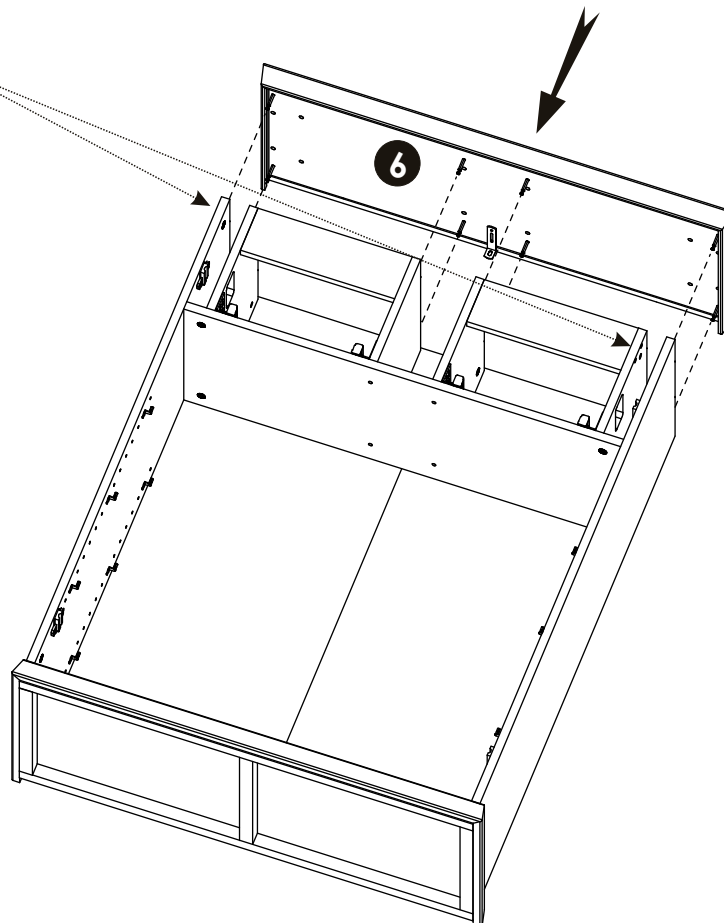
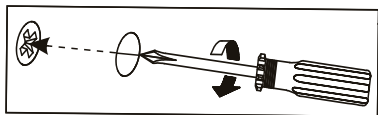
21▶





22▶

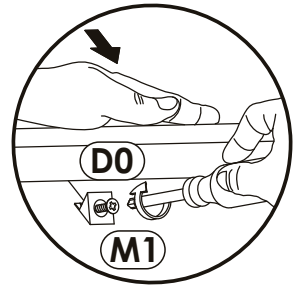
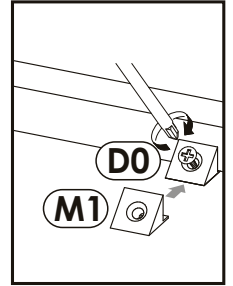
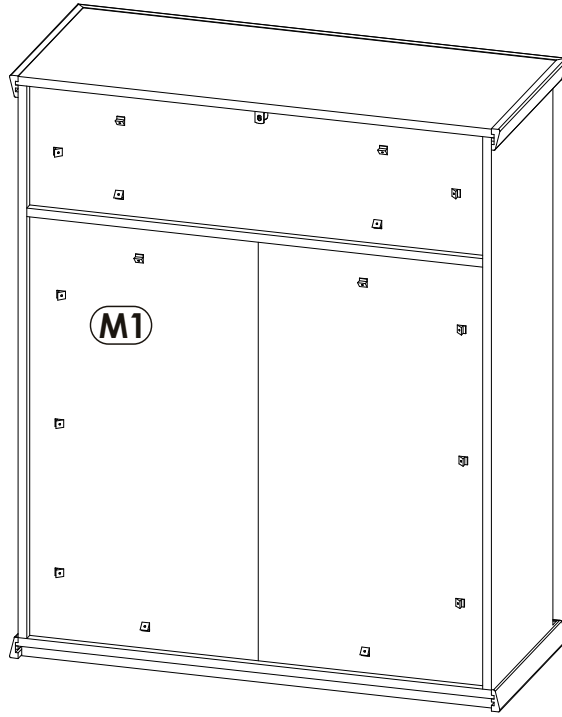
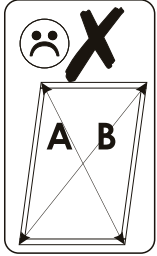
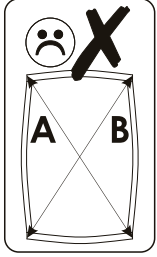
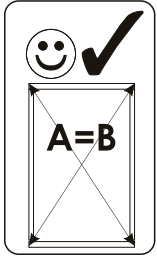


23▶

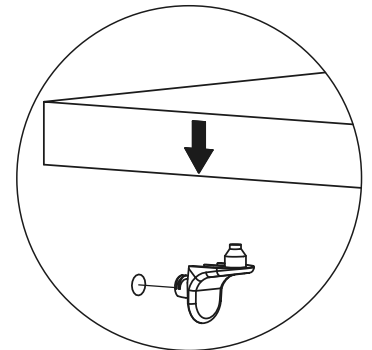
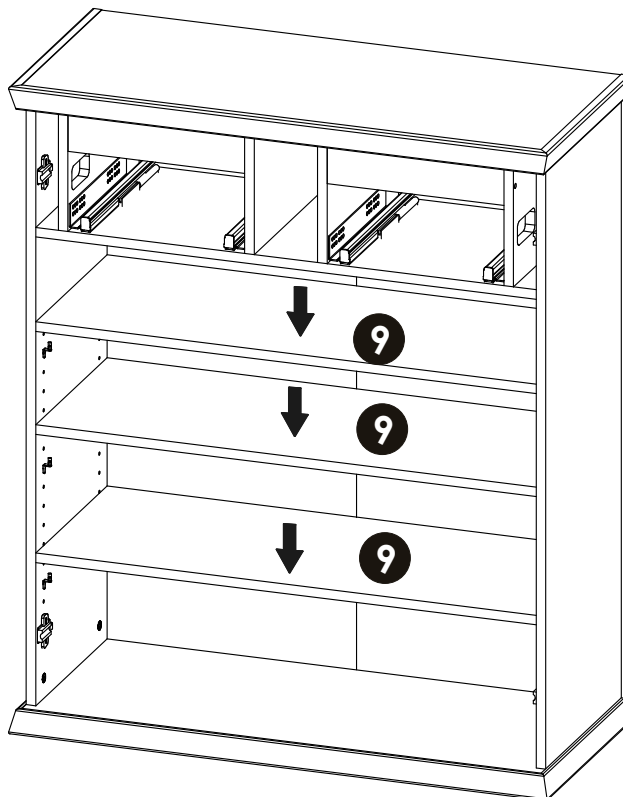


24▶

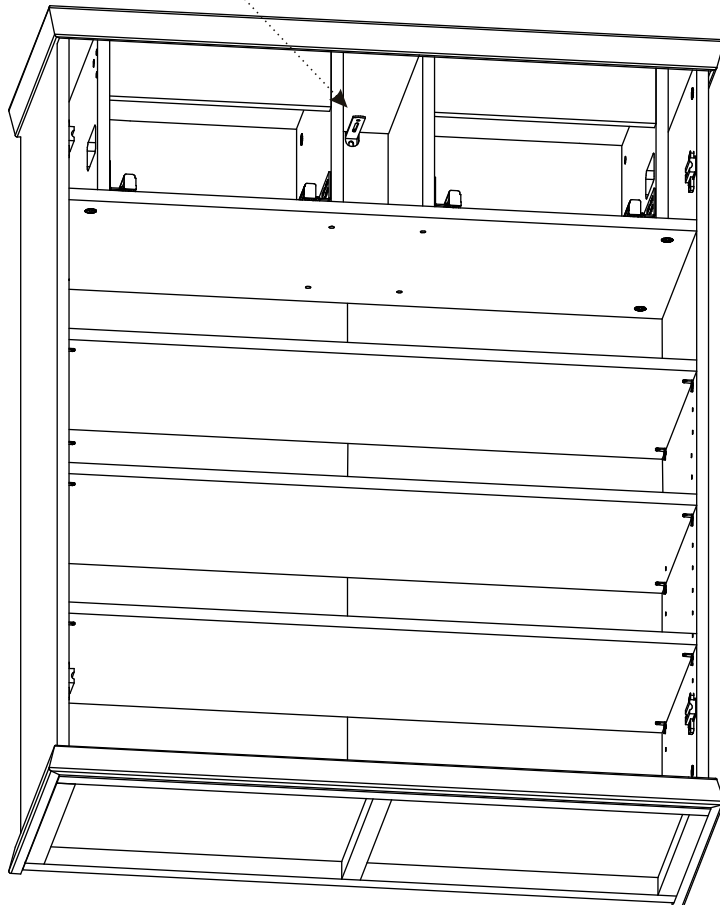
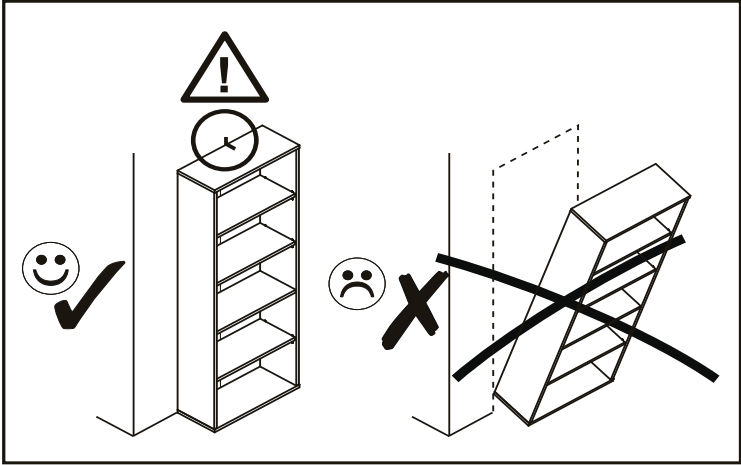
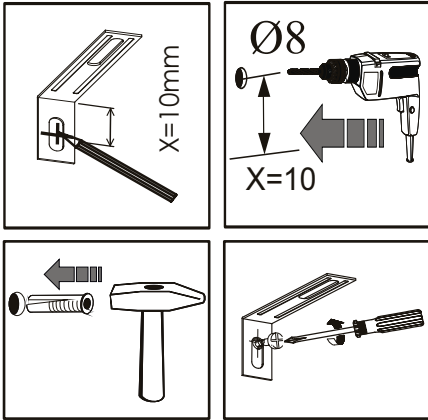
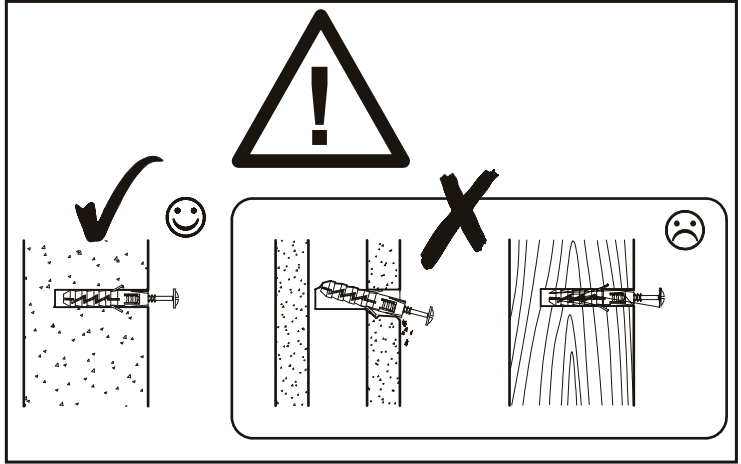
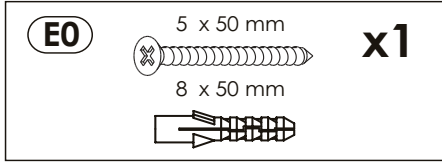
(D0) 3 x 15 mm 	x16	(M1) 	x16
---	------------	--	------------



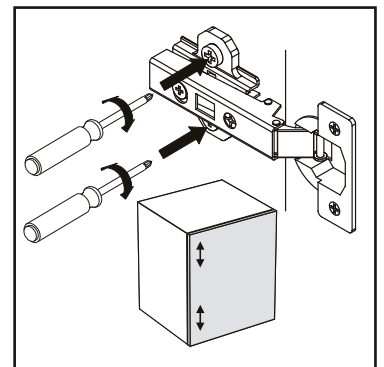
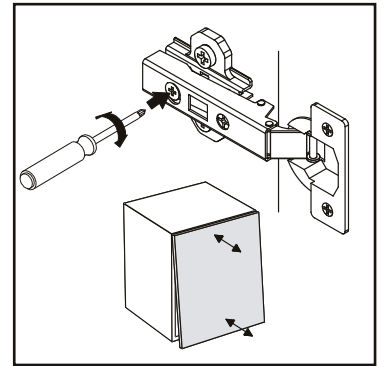
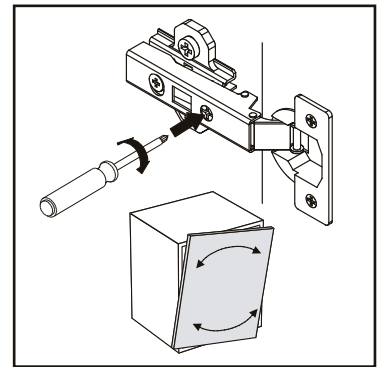
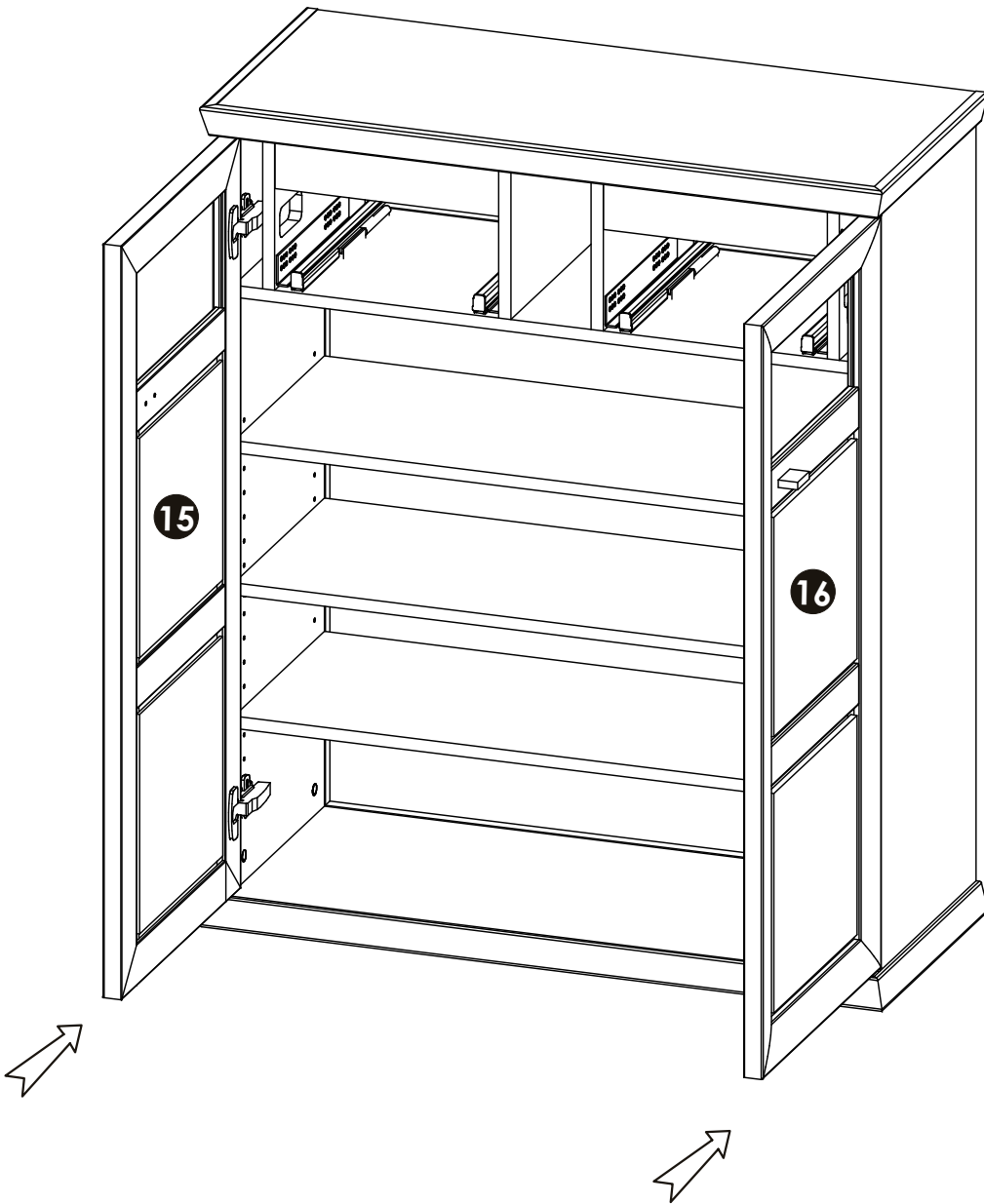
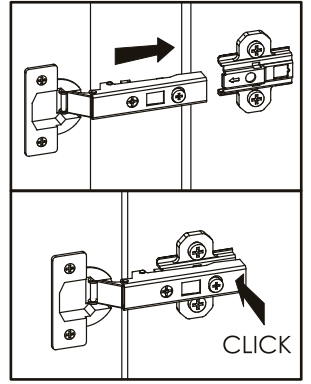
25▶

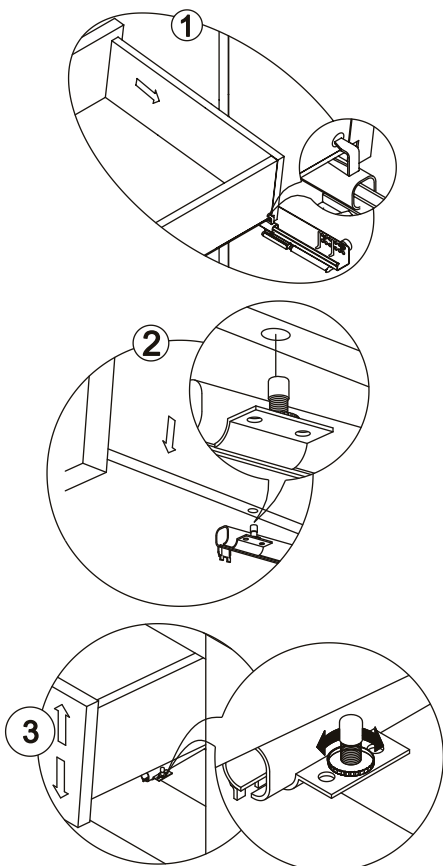
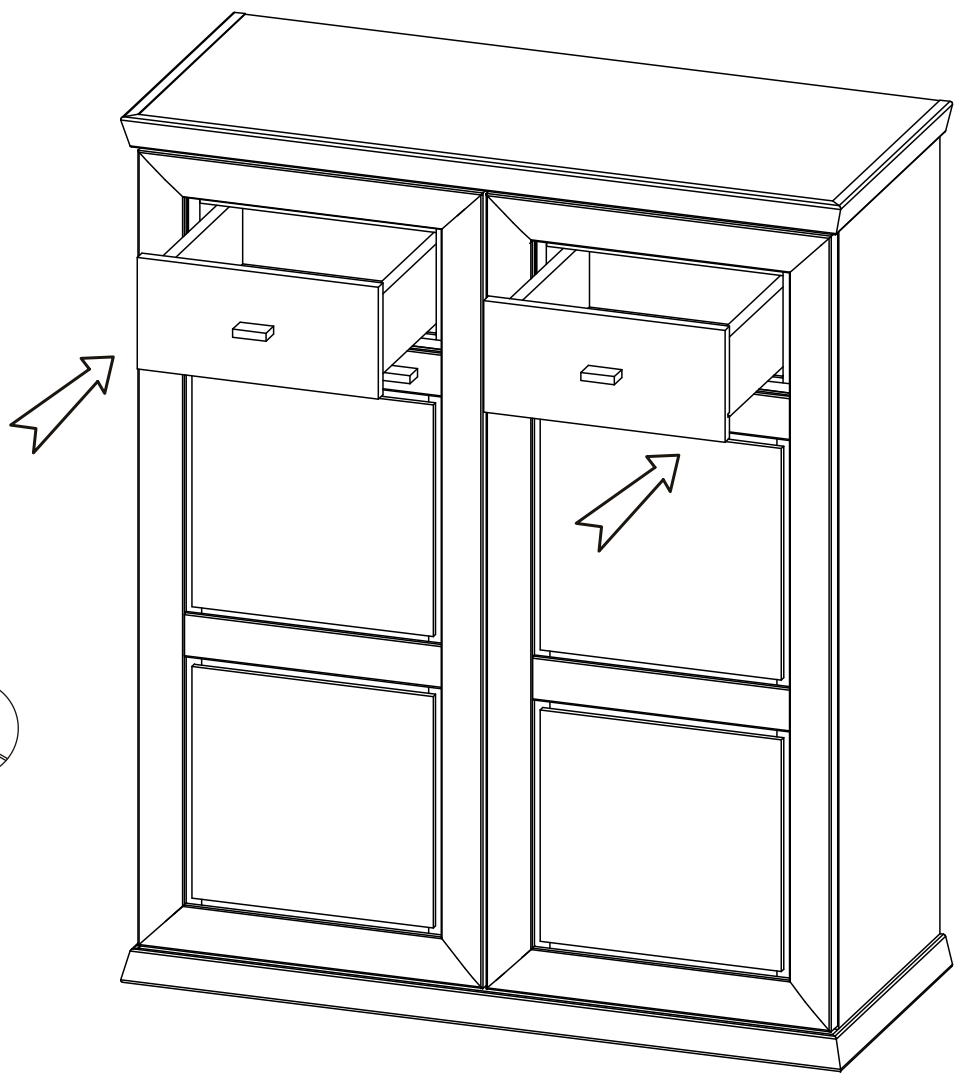
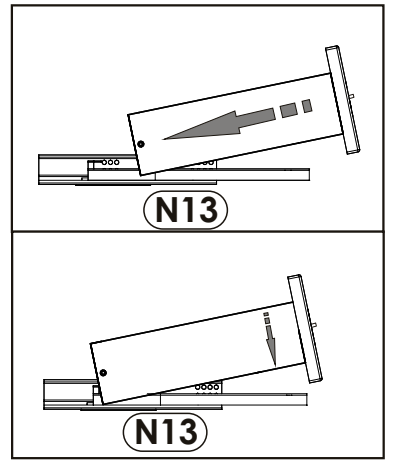


26▶



27▶





29▶

