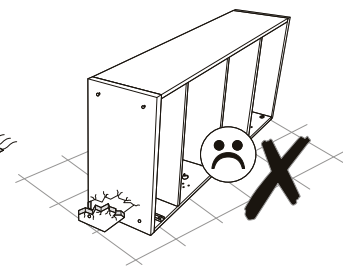
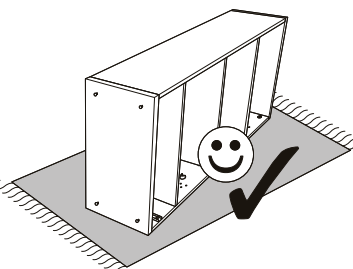
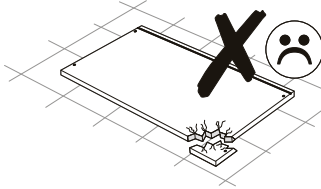
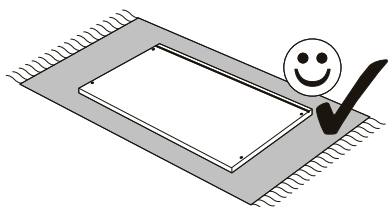
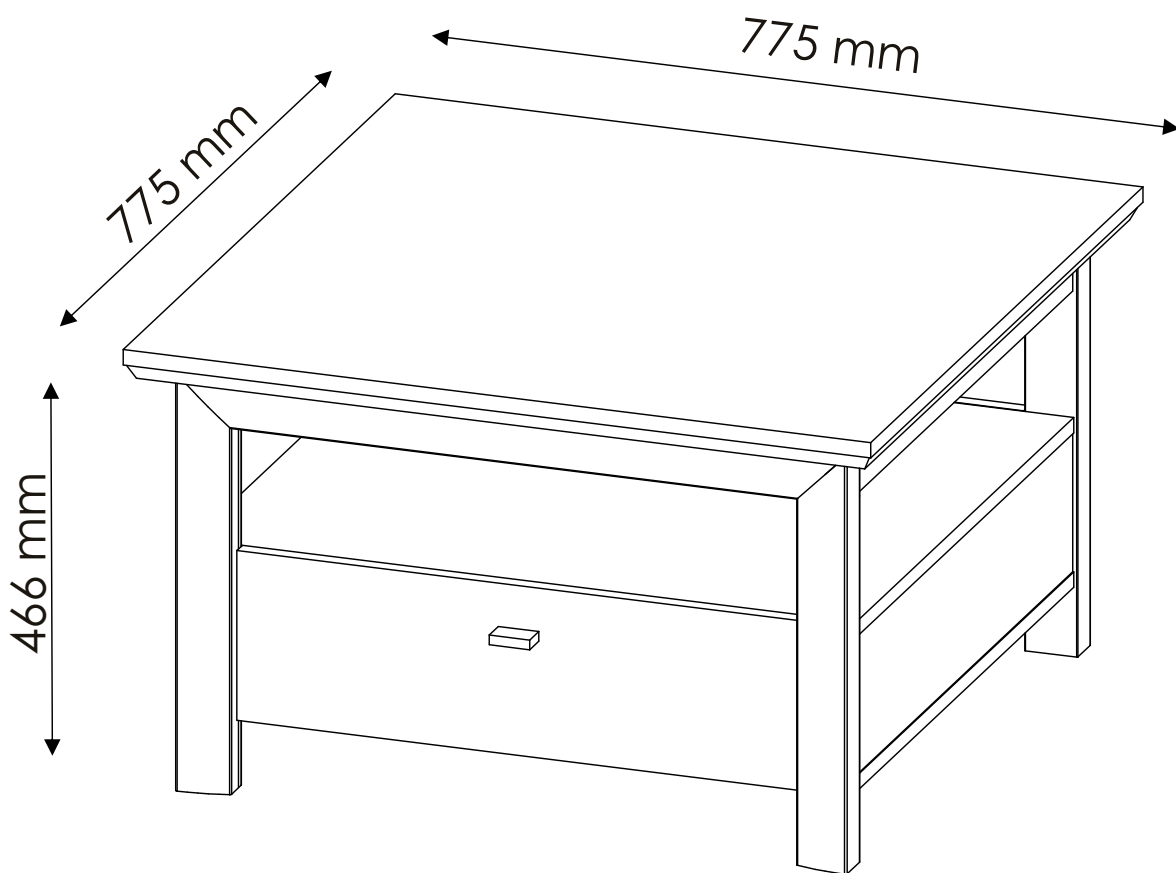
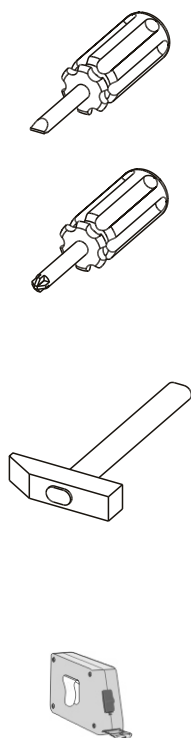
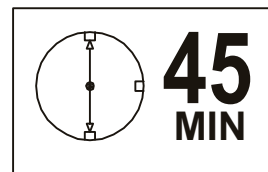
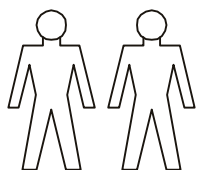
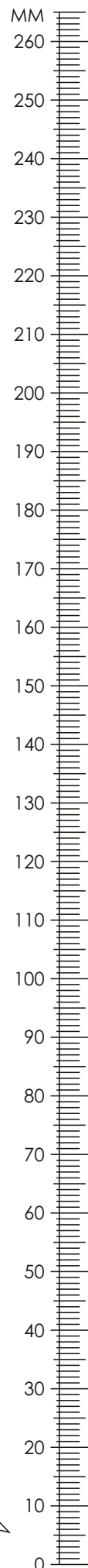


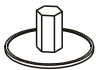





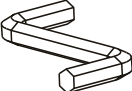


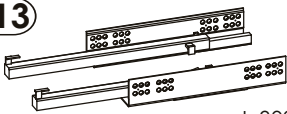





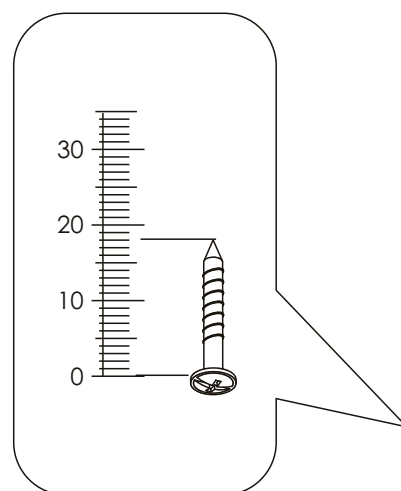
HARVEY - COUCHTISCH




HARVEY - COUCHTISCH

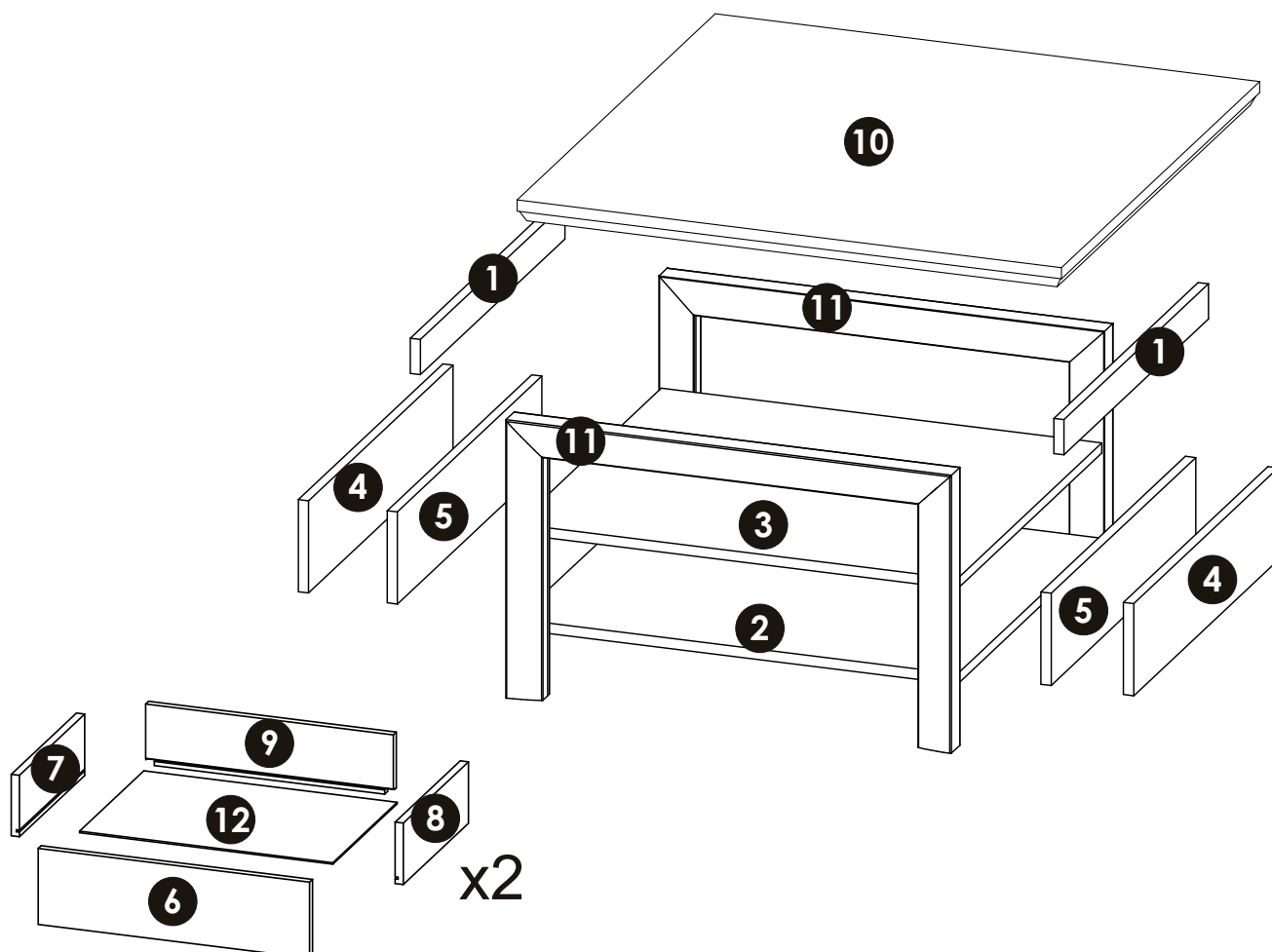
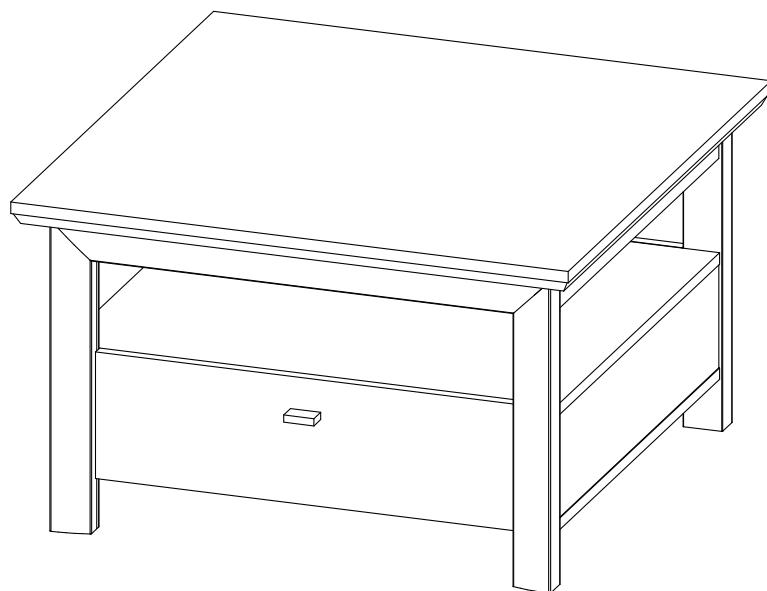


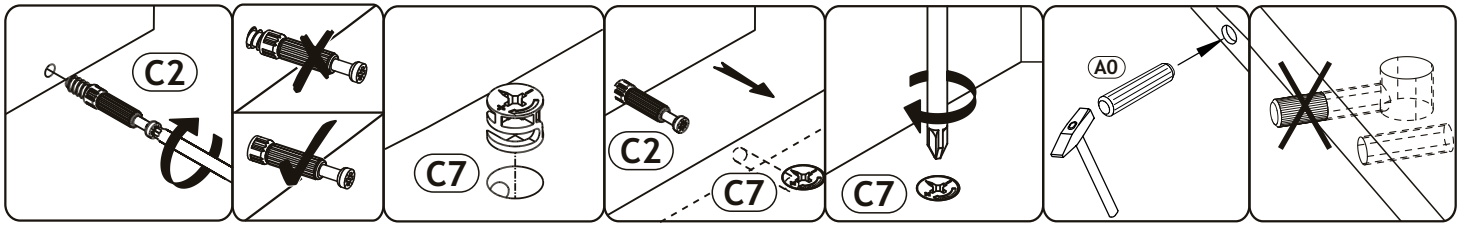
A0 8 x 30mm x42 	B1 f 7 x 50 mm x16 	C0  x4
C2  x38	C7 16mm  x38	D0 3 x 15 mm  x8
D31 6,3 x 13 mm x16 	H2 4 x 22 mm x4 	K 4mm  x1
L6  x2	M1  x8	N13  x2 L-300mm
U0  x4	U2  x4	U3  x4



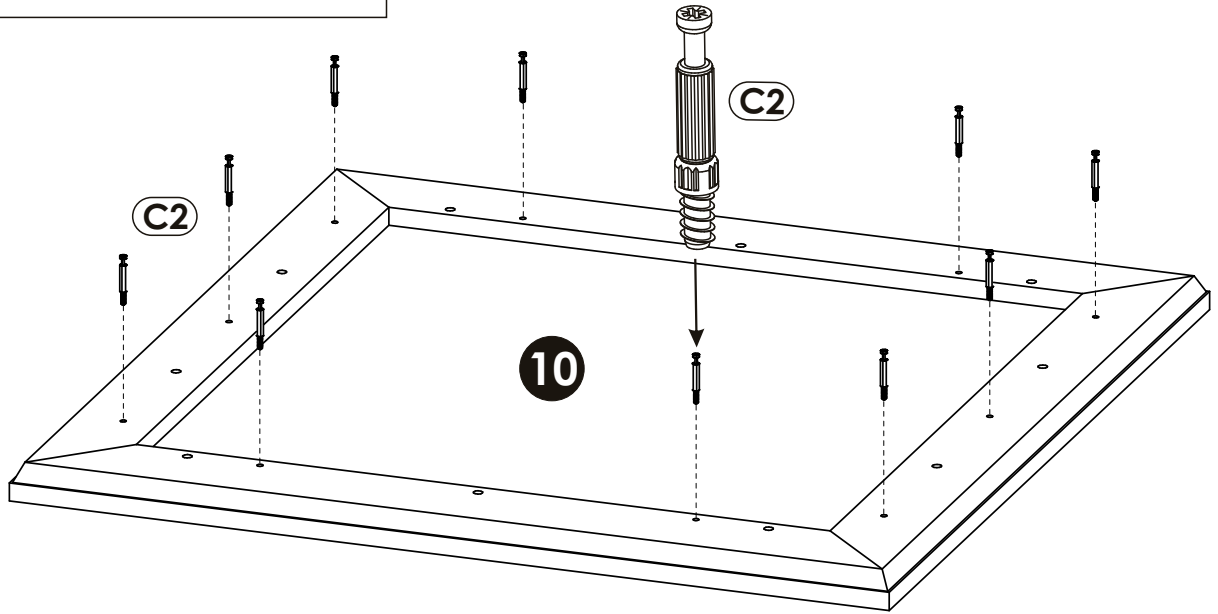
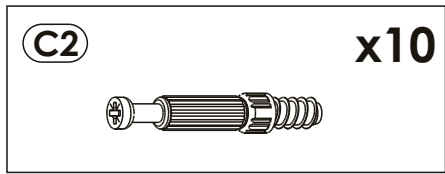
HARVEY - COUCHTISCH

1	620	55	16	x2	1/2
2	688	620	16	x1	1/2
3	688	620	16	x1	1/2
4	620	144	16	x2	1/2
5	620	144	16	x2	1/2
6	582	176	16	x2	1/2
7	300	120	16	x2	1/2
8	300	120	16	x2	1/2
9	546	118	16	x2	1/2
10	775	775	32	x1	2/2
11	696	434	38	x2	2/2
12	556	294	2,8	x2	1/2
					1/2

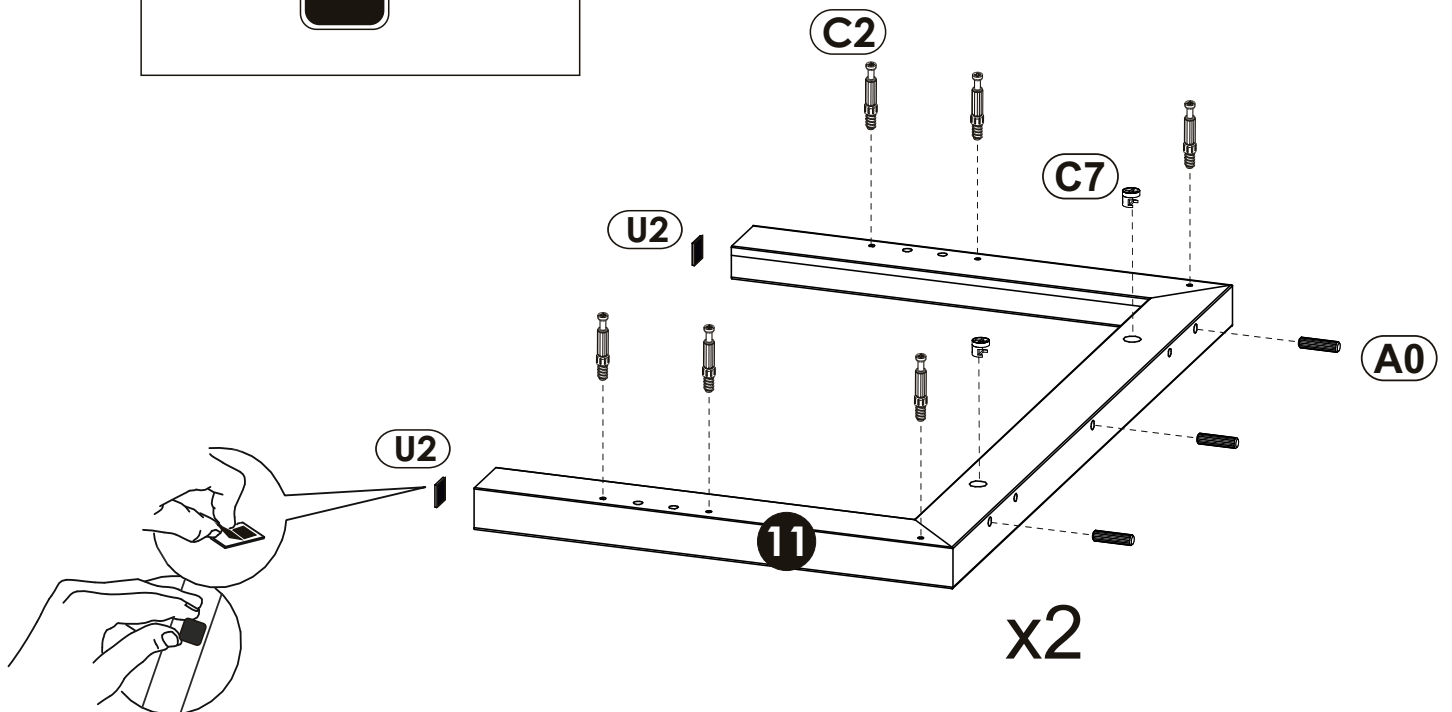
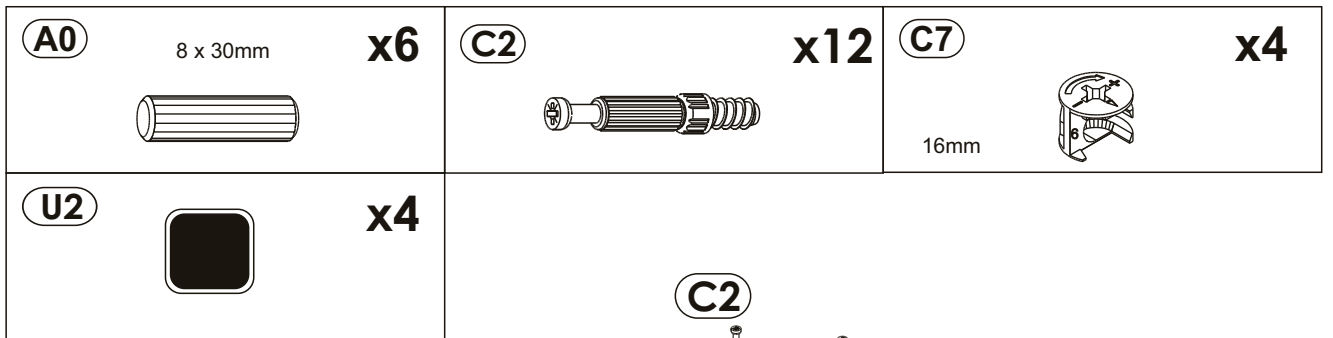






1 ▶

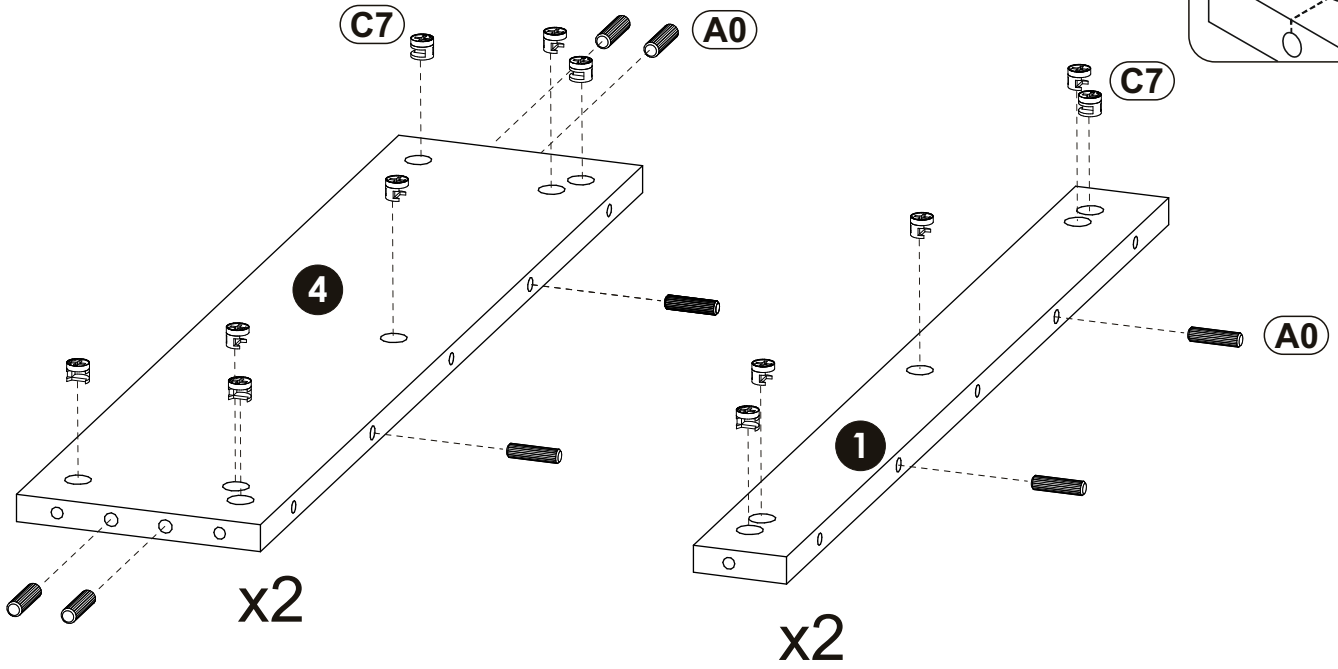
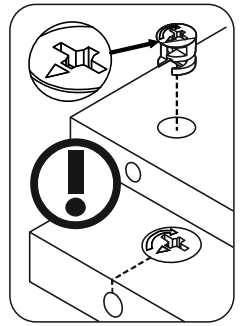


2 ▶




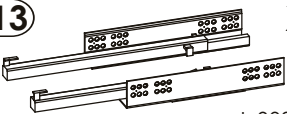


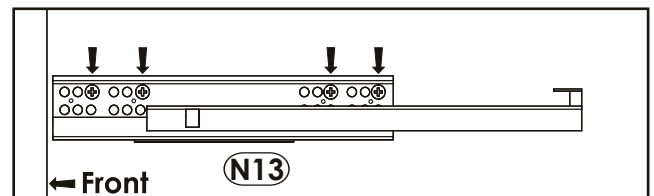
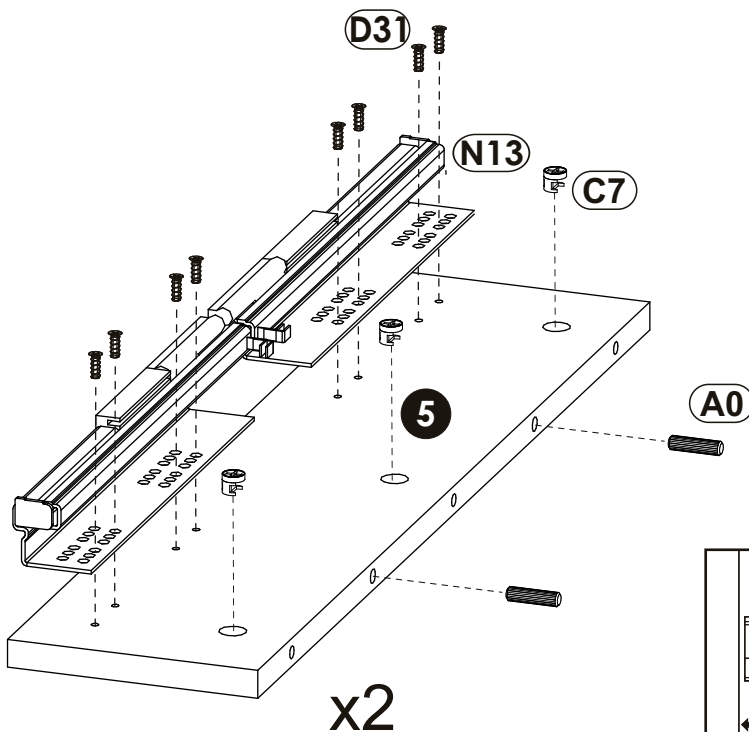
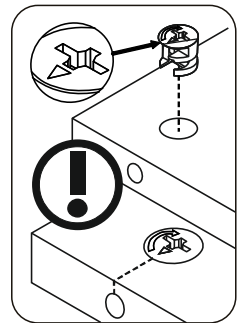
3 ▶

A0	8 x 30mm	x16	C7	16mm	x24
					

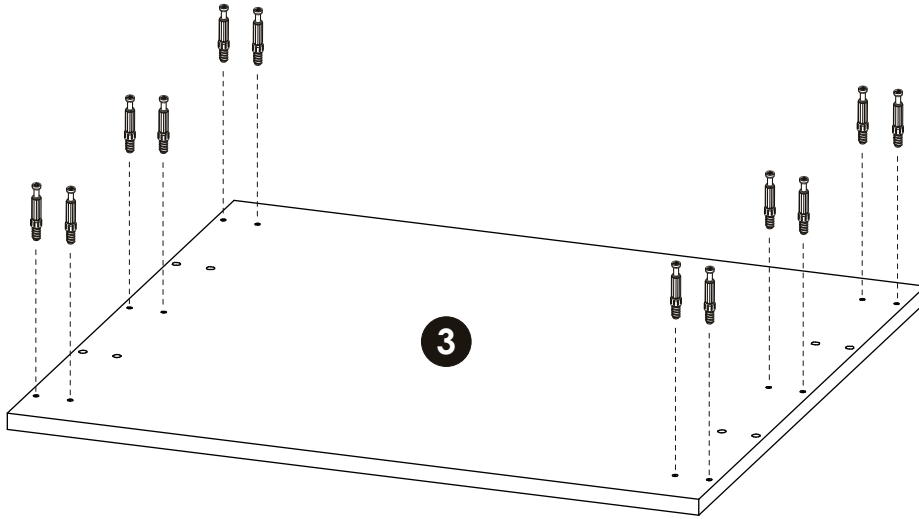
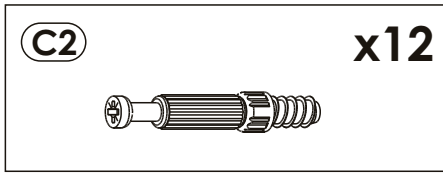


4 ▶

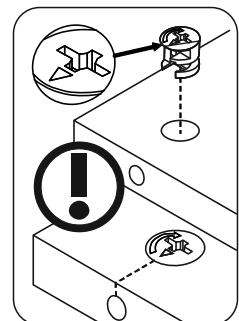
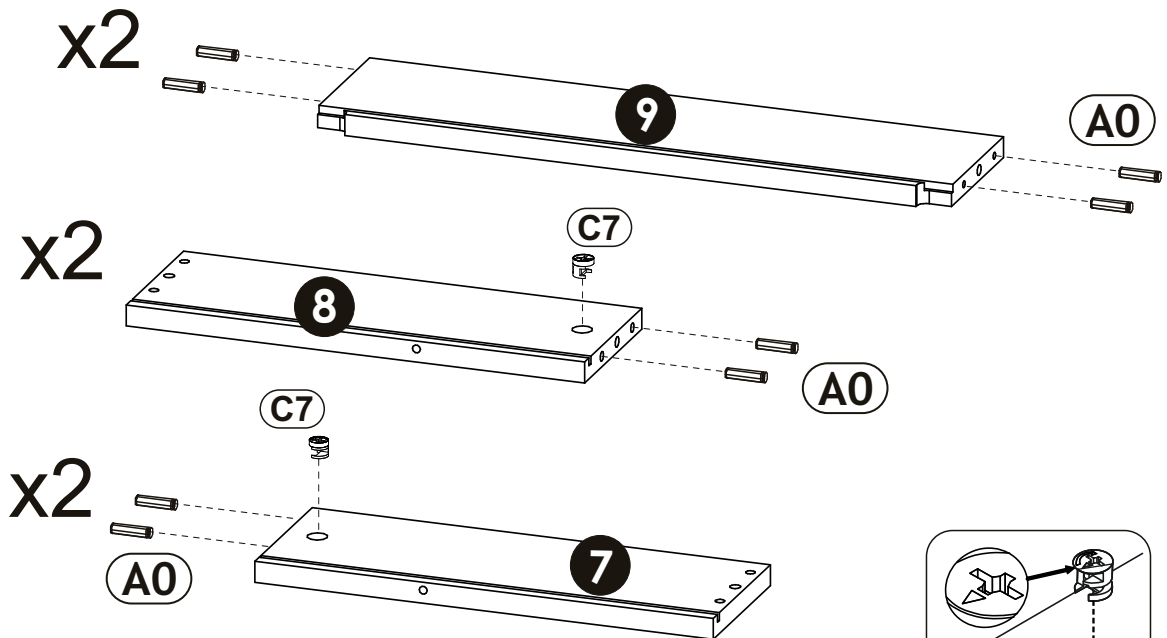
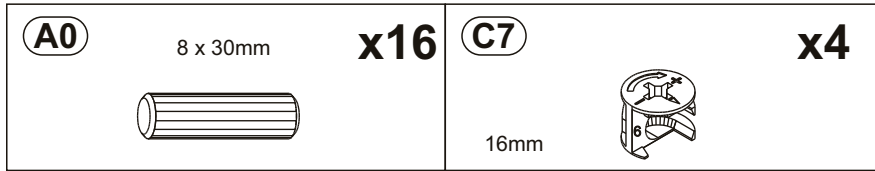
A0	8 x 30mm	x4	C7	16mm	x6	D31	6,3 x 13 mm	x16
								
						N13	x2	
								L-300mm








5 ▶

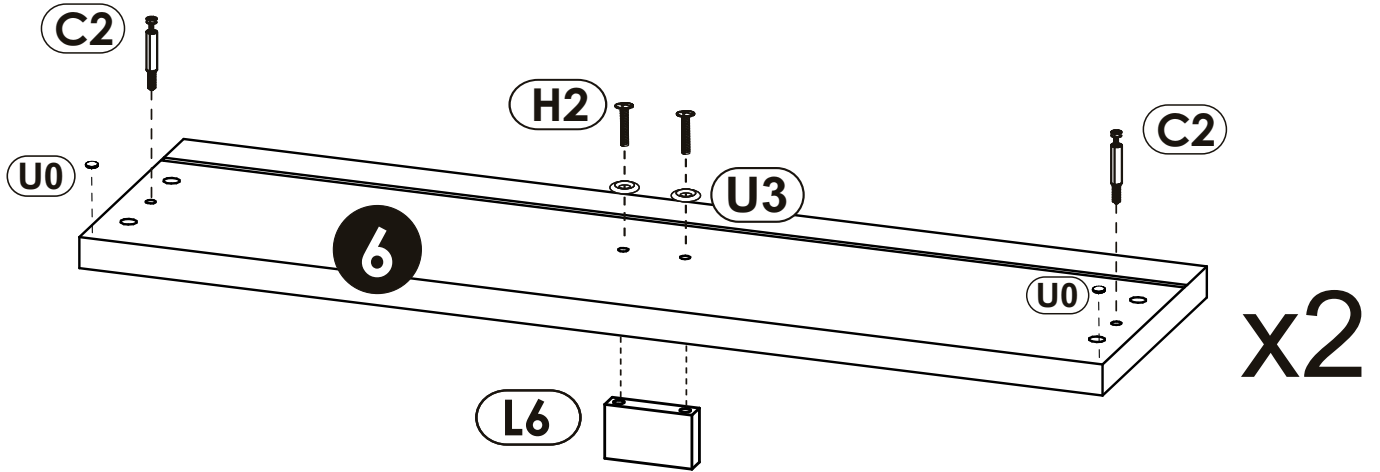


6 ▶


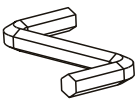


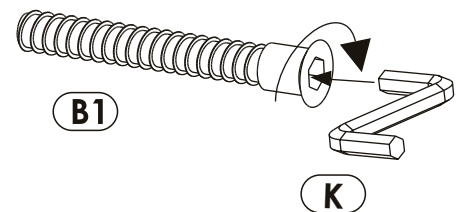
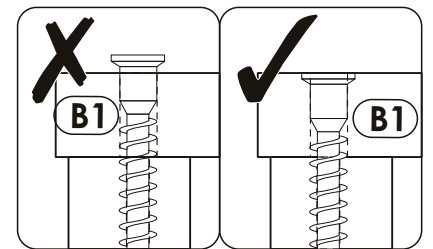
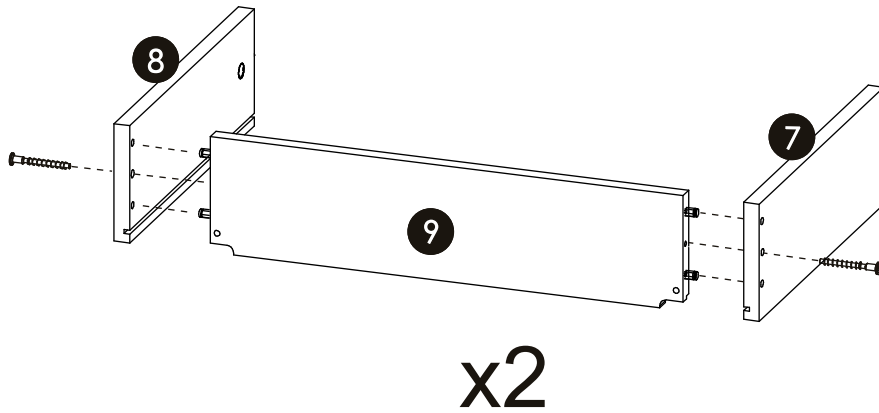
7

C2 	x4	H2 	4 x 22 mm x4	L6 	x2
U0 	x4	U3 	x4		

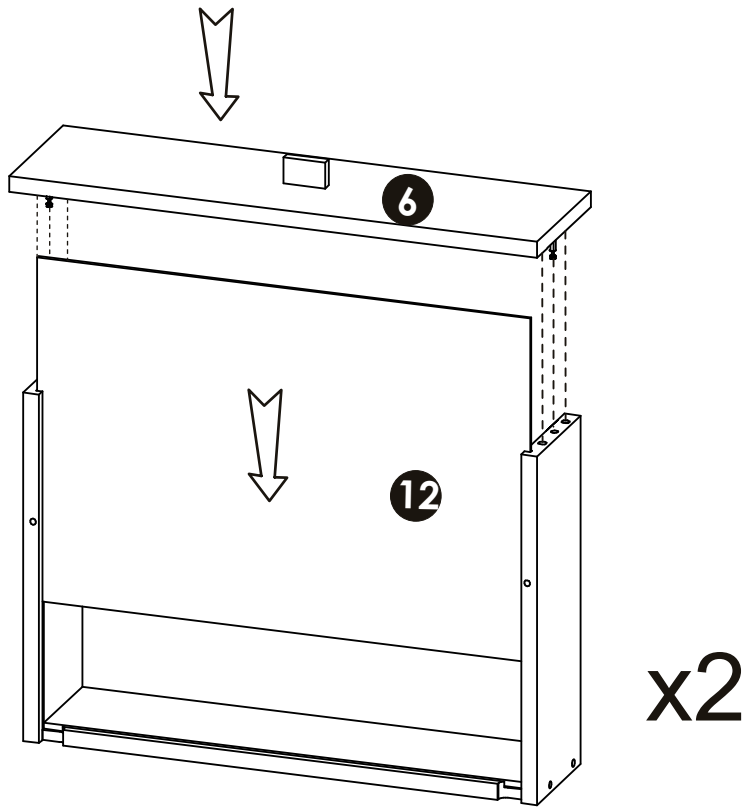


8



B1 	f 7 x 50 mm x4	K 	4mm x1
--	--------------------------	---	------------------



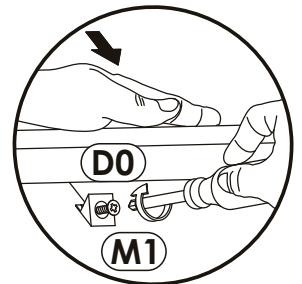
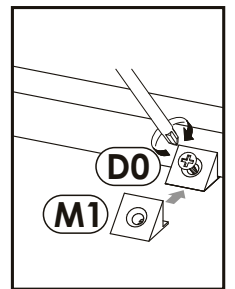
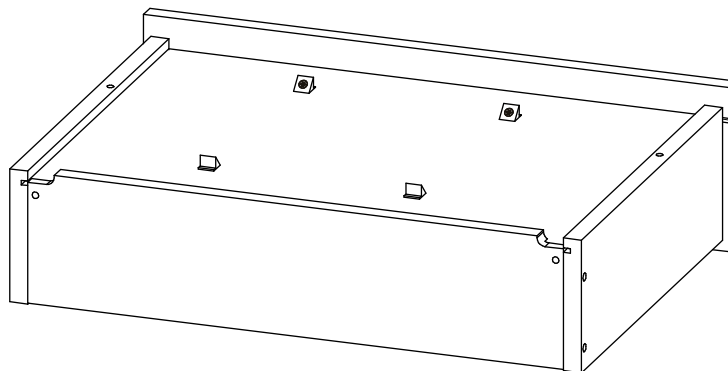
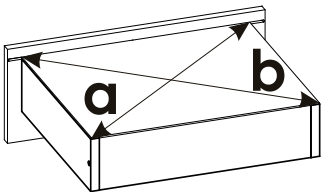
9 ▶



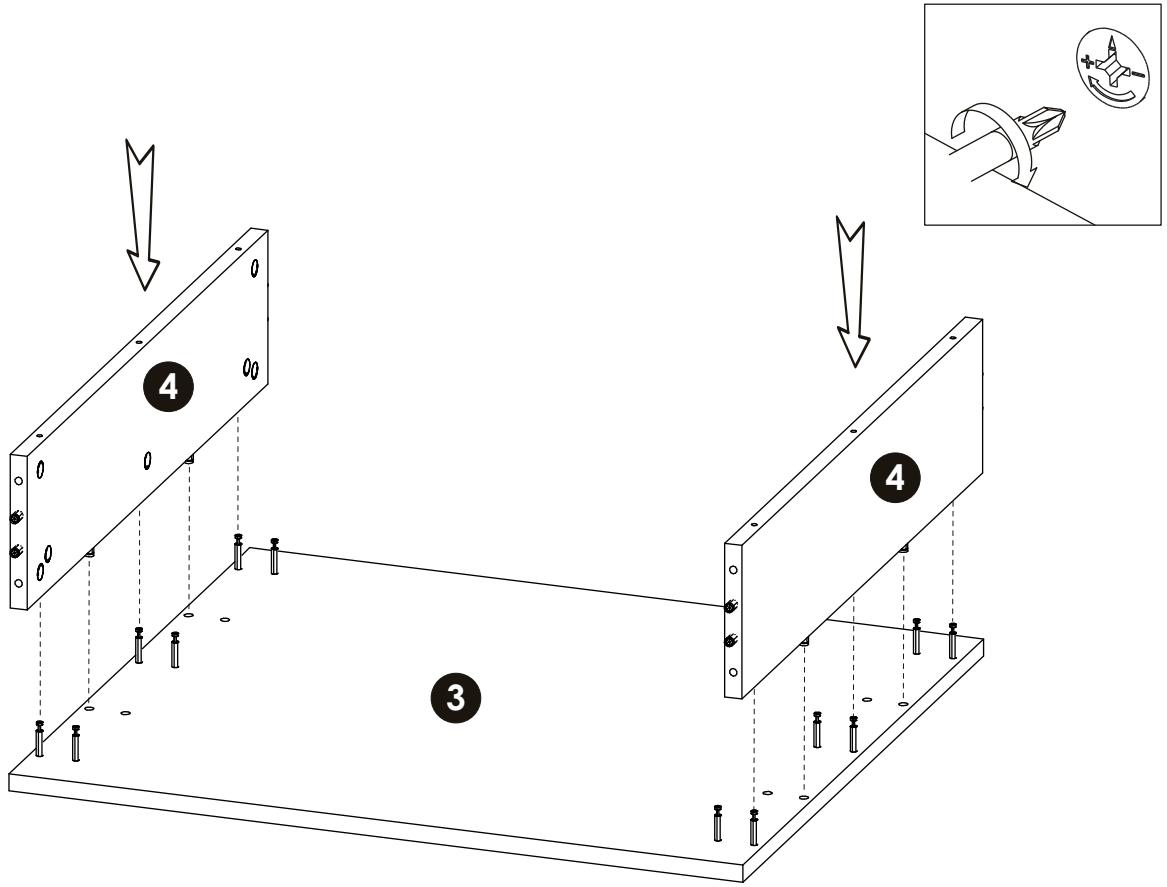
10 ▶

(D0)	3 x 15 mm	x8	(M1)		x8
					

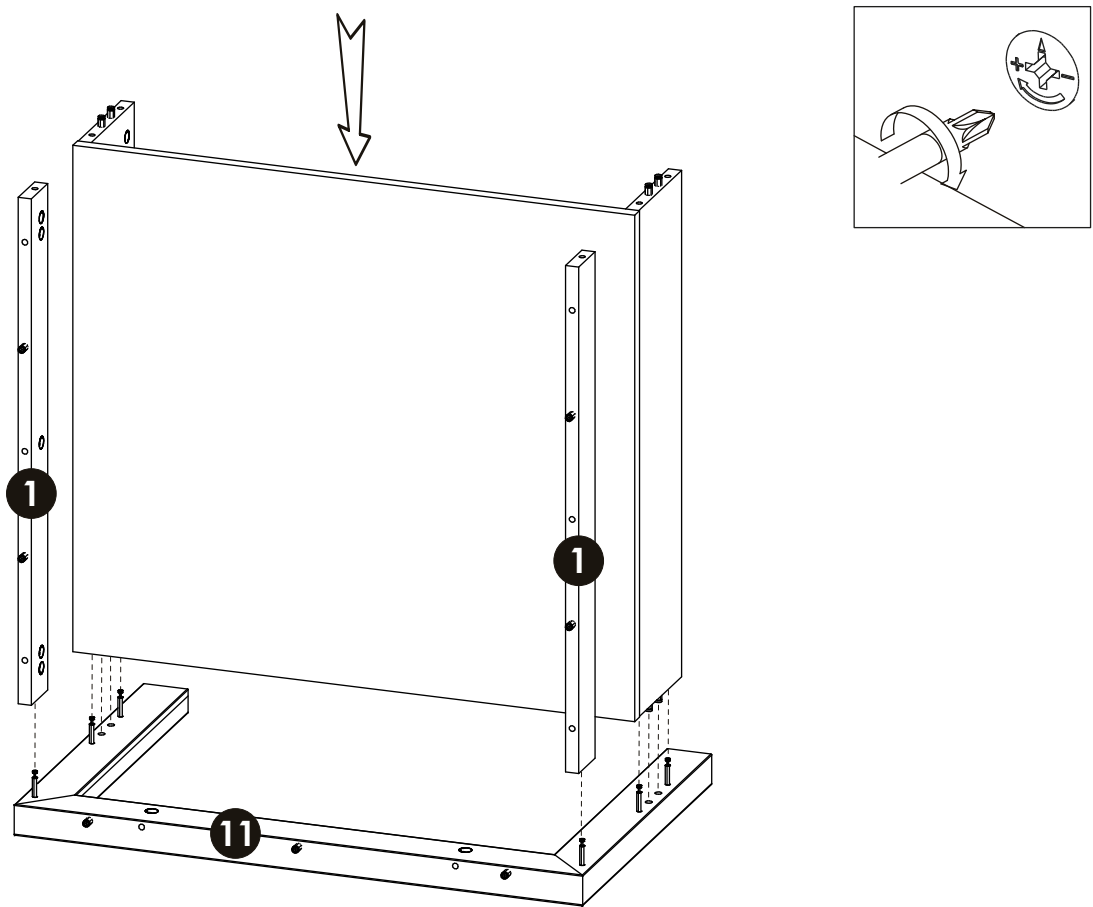
$a=b$



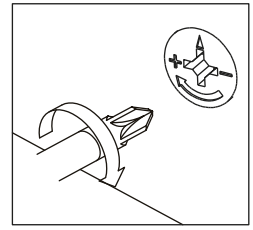
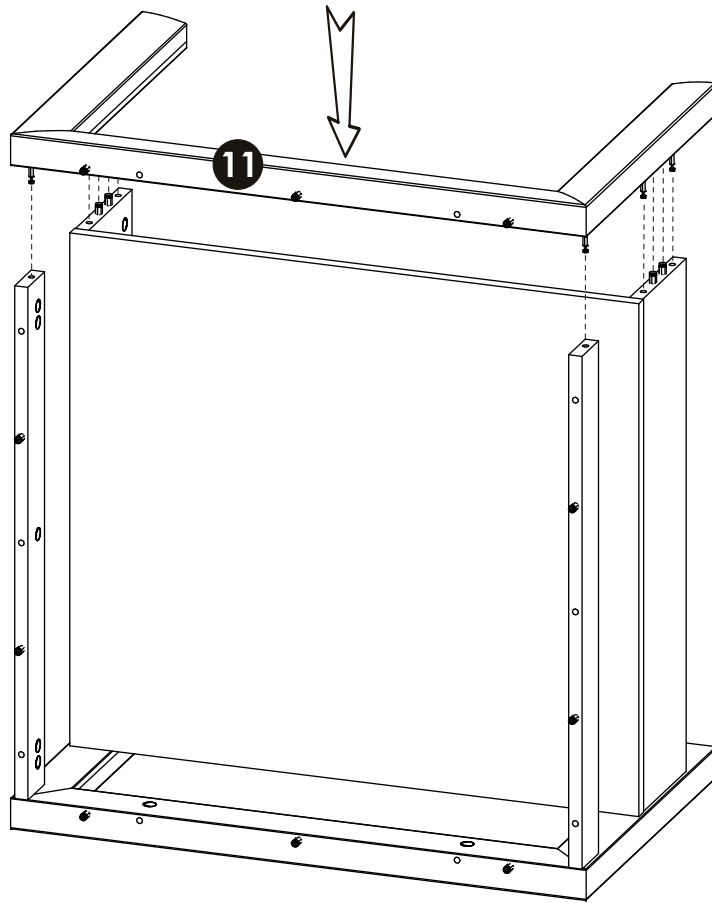
11 ▶



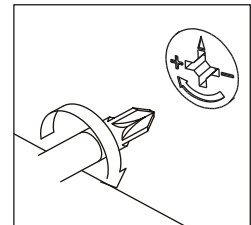
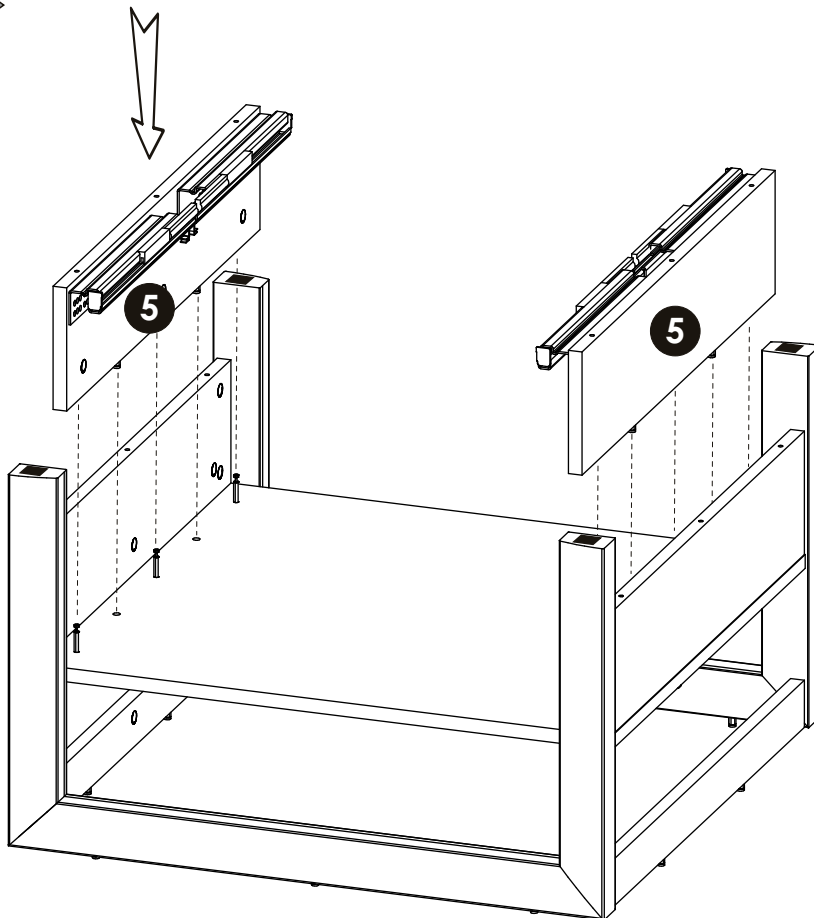
12 ▶



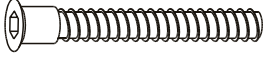
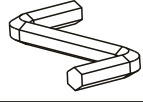
13▶

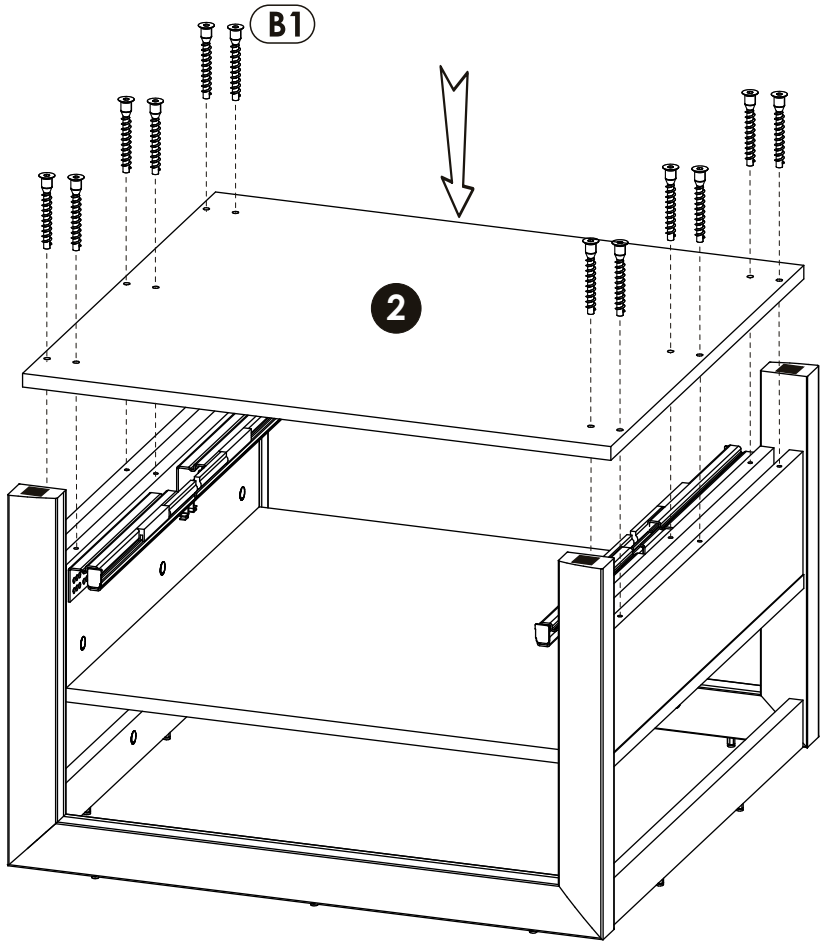


14▶

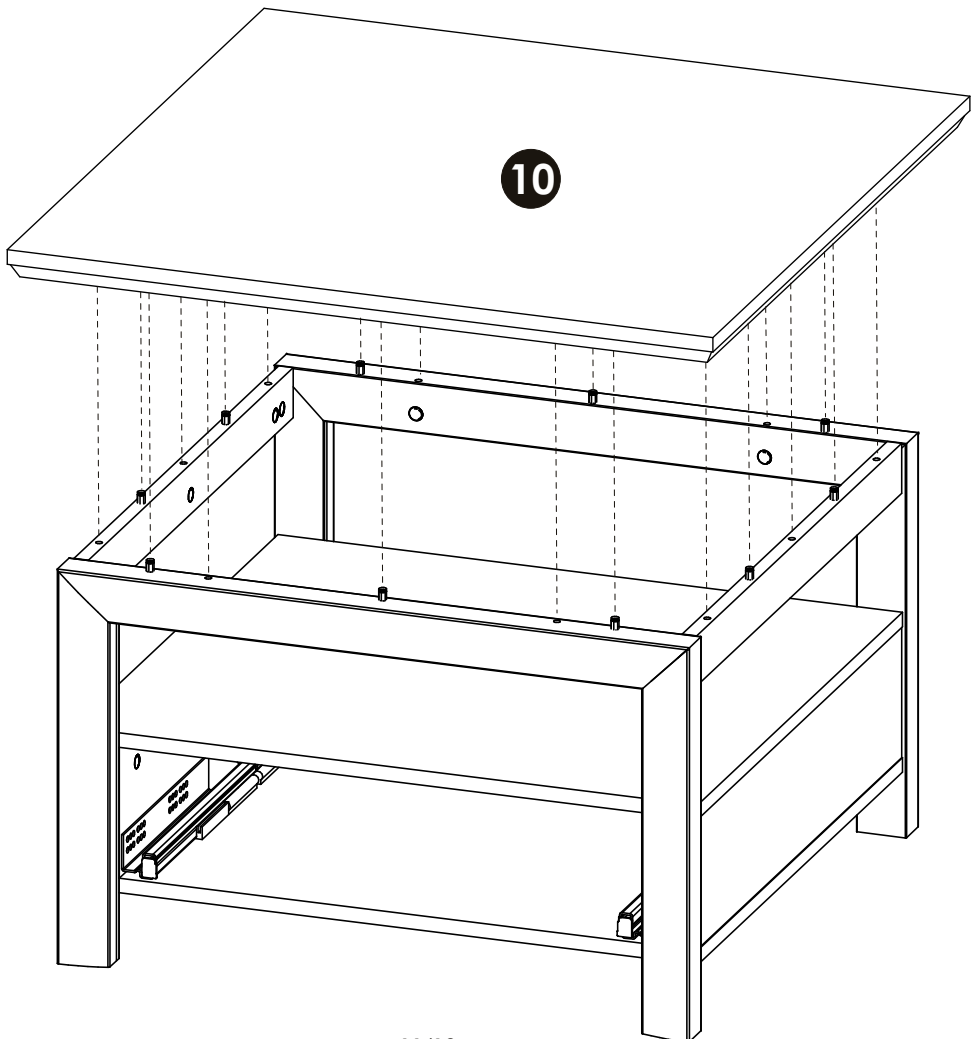
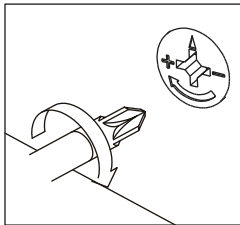


15 ▶

B1	f 7 x 50 mm	x12
		
K	4mm	x1
		



16 ▶



17▶

