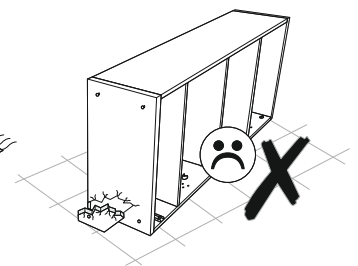
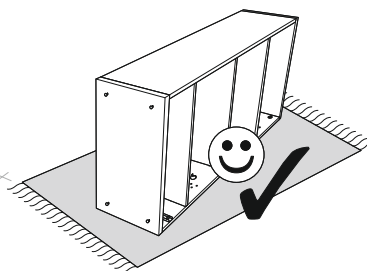
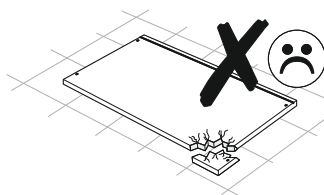
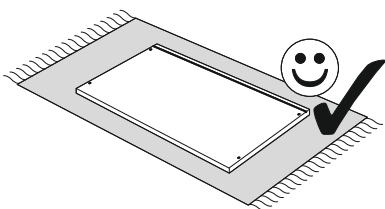
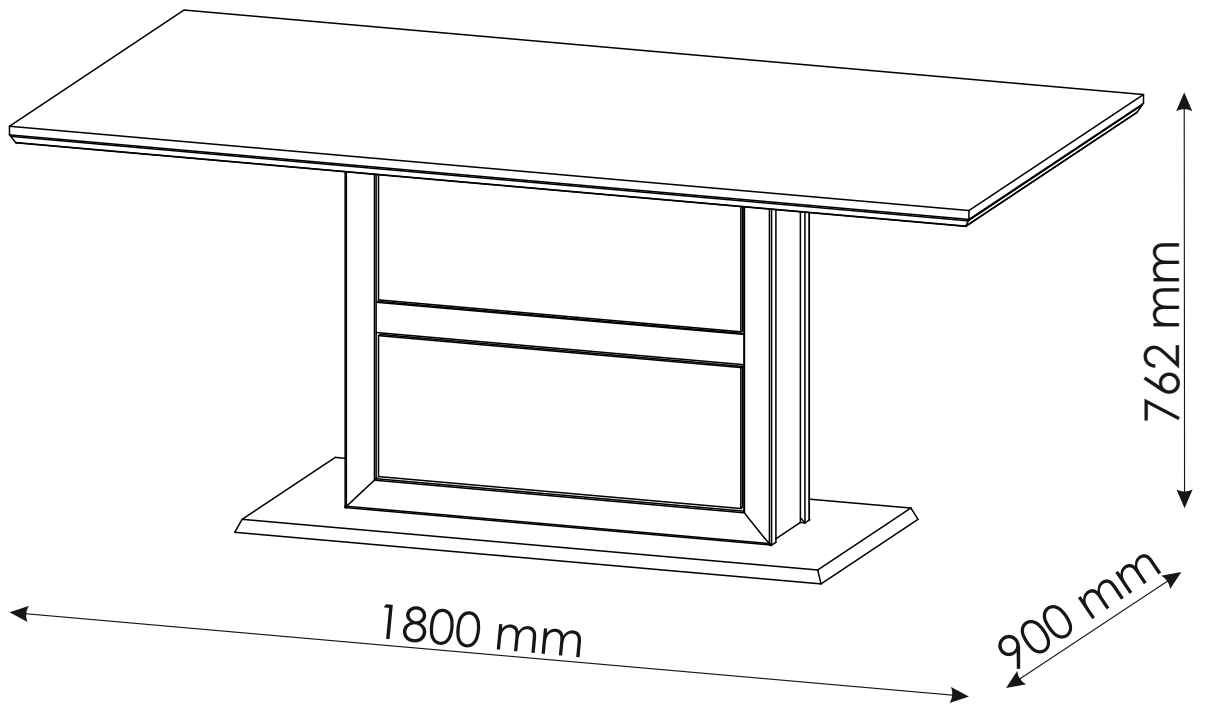
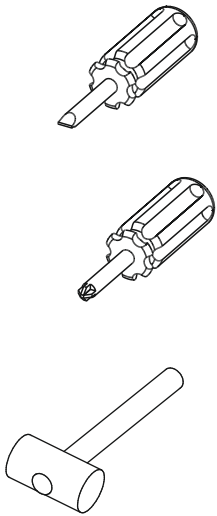
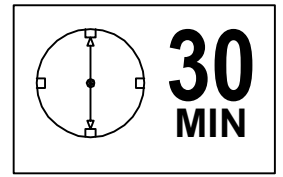
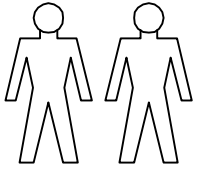




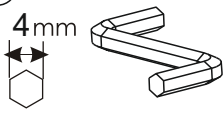
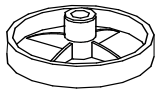
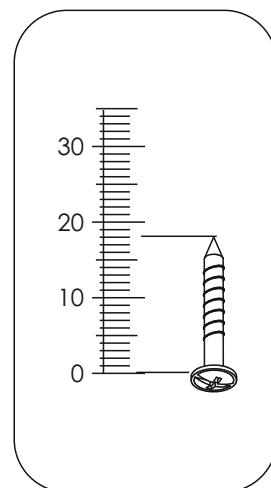
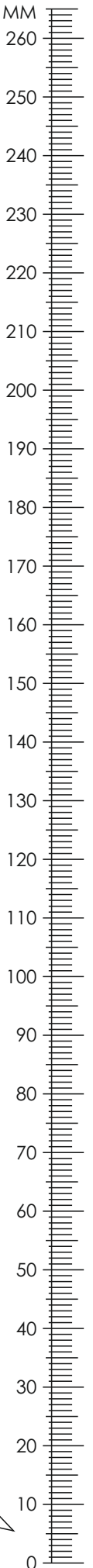


# CAMRON - ESSTISCH 1800

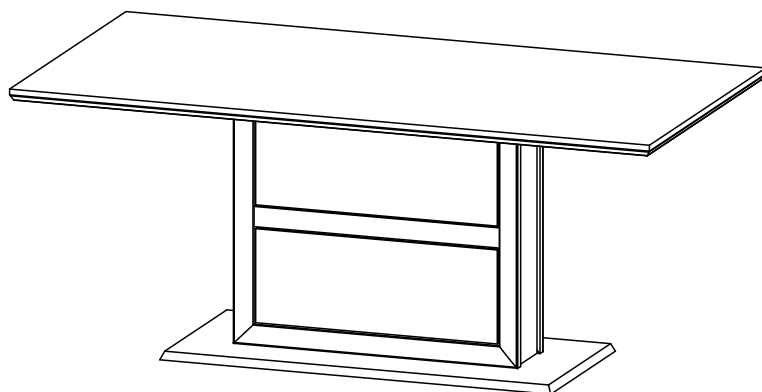



# CAMRON - ESSTISCH 1800

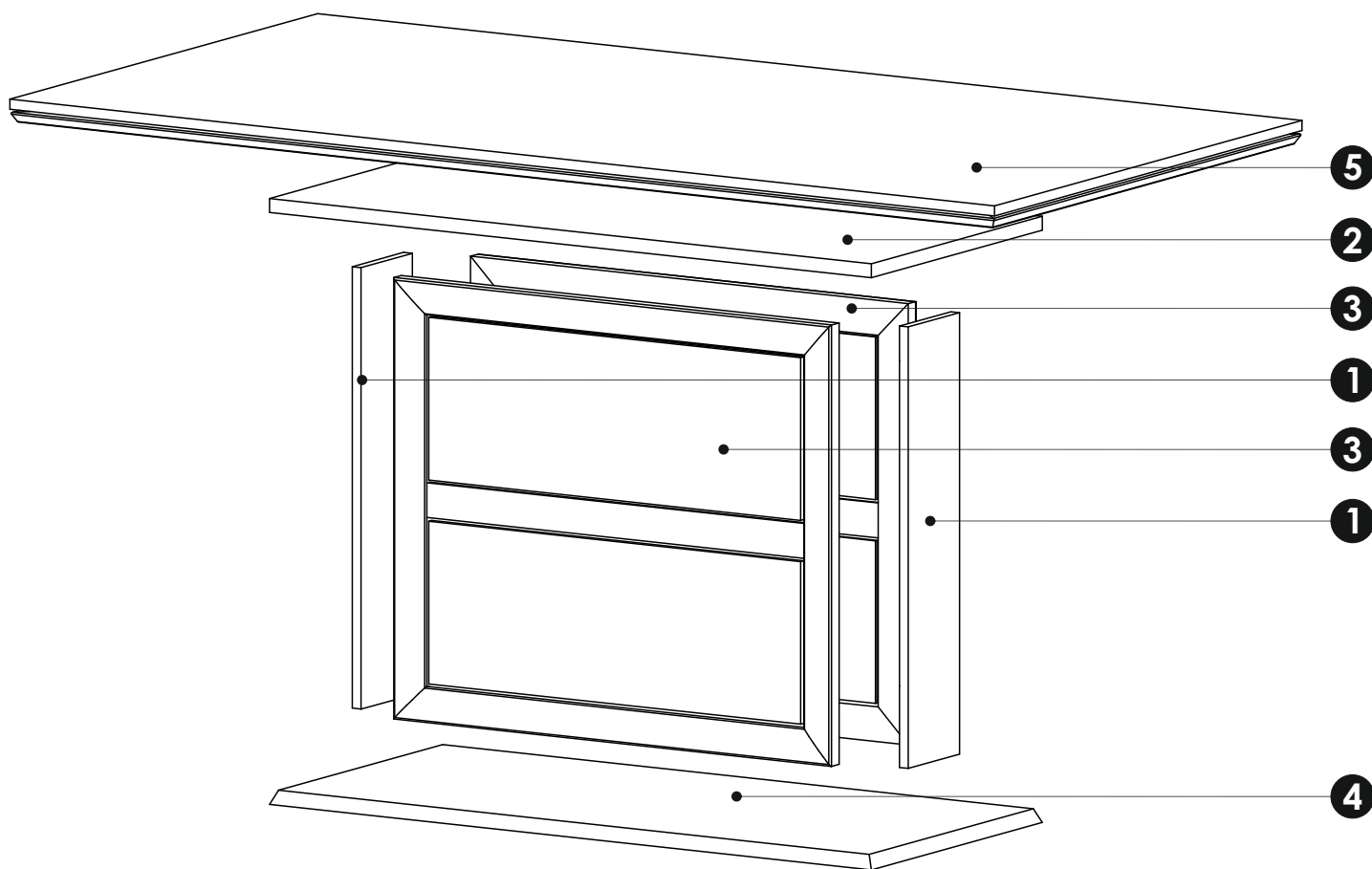
<b>A0</b> 8 x 32mm <b>x4</b> 	<b>B2</b> f 7 x 70 mm <b>x16</b> 	<b>C2</b> <b>x8</b> 
<b>D26</b> 5 x 33 mm <b>x10</b> 	<b>K</b> <b>x1</b> 	<b>T11</b> <b>x6</b> 

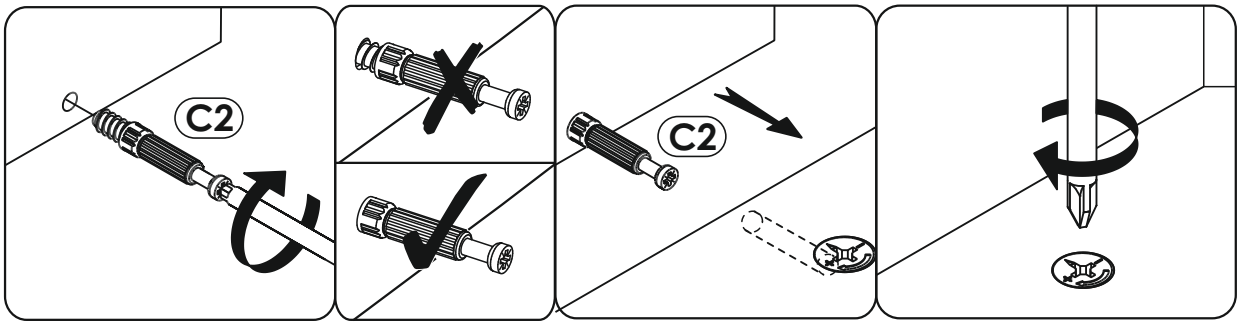


# CAMRON - ESSTISCH 1800

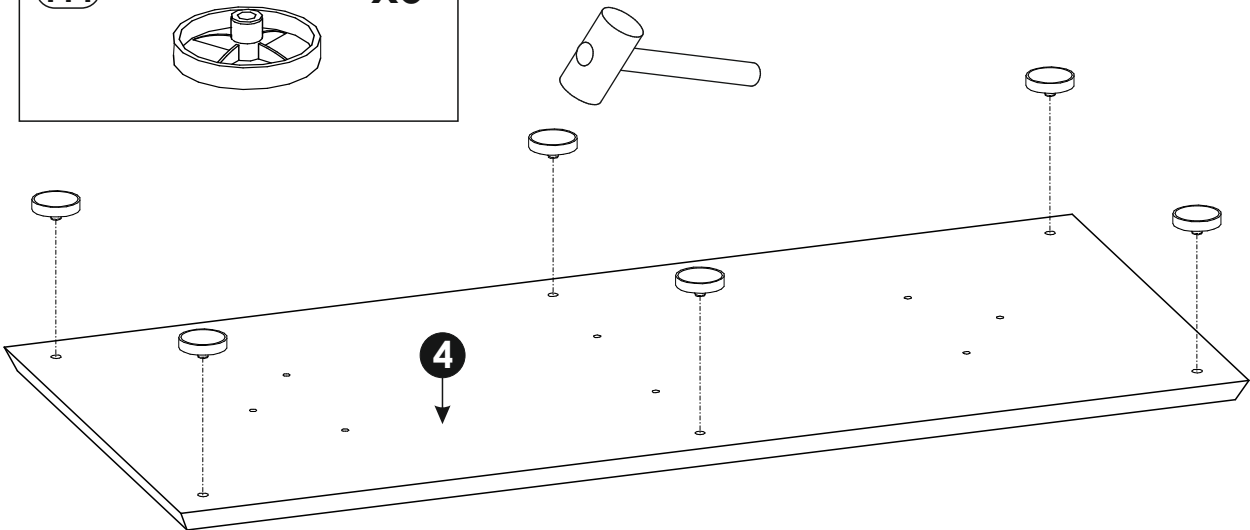
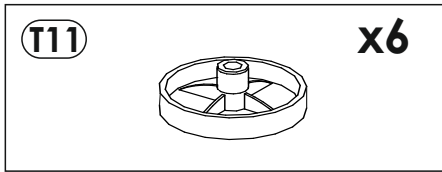


<b>1</b>	695	150	16	x2	1/3
<b>2</b>	1100	444	22	x1	1/3
<b>3</b>	695	800	25	x2	3/3
<b>4</b>	1100	500	22	x1	1/3
<b>5</b>	1800	900	32	x1	2/3
					1/3

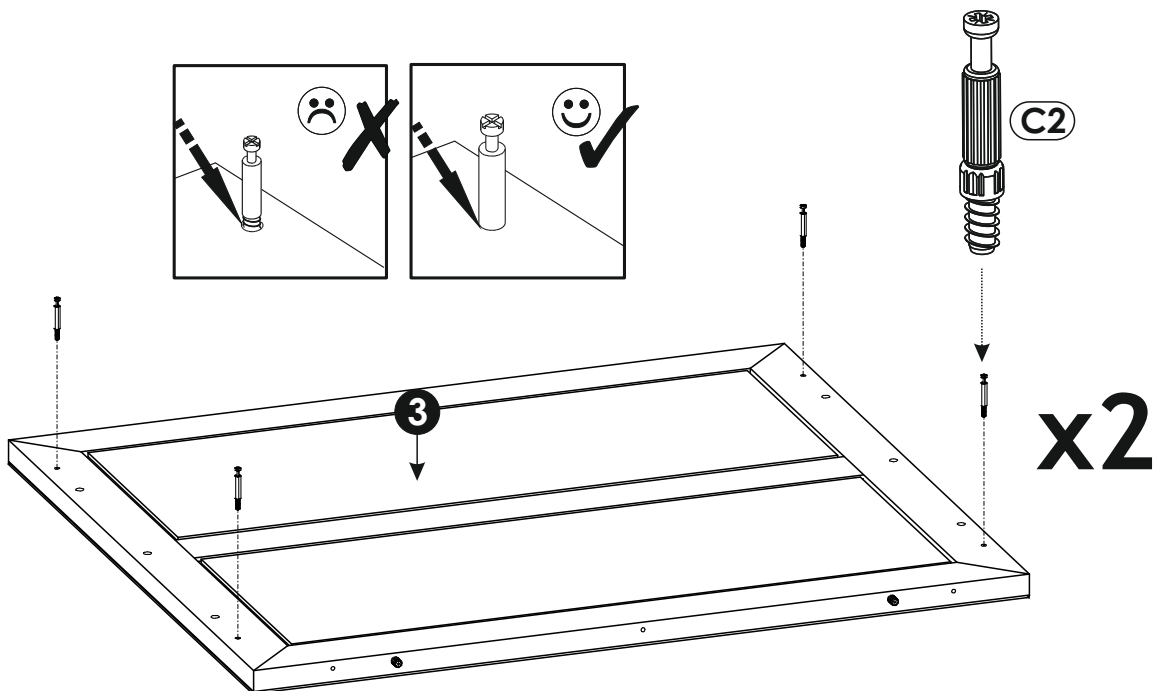
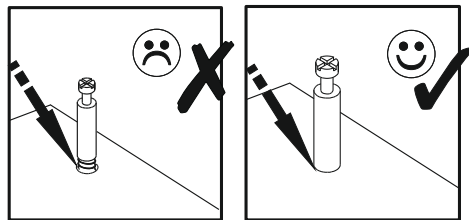
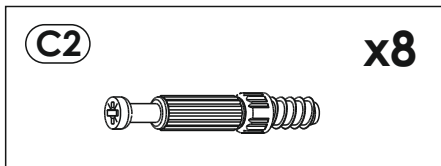




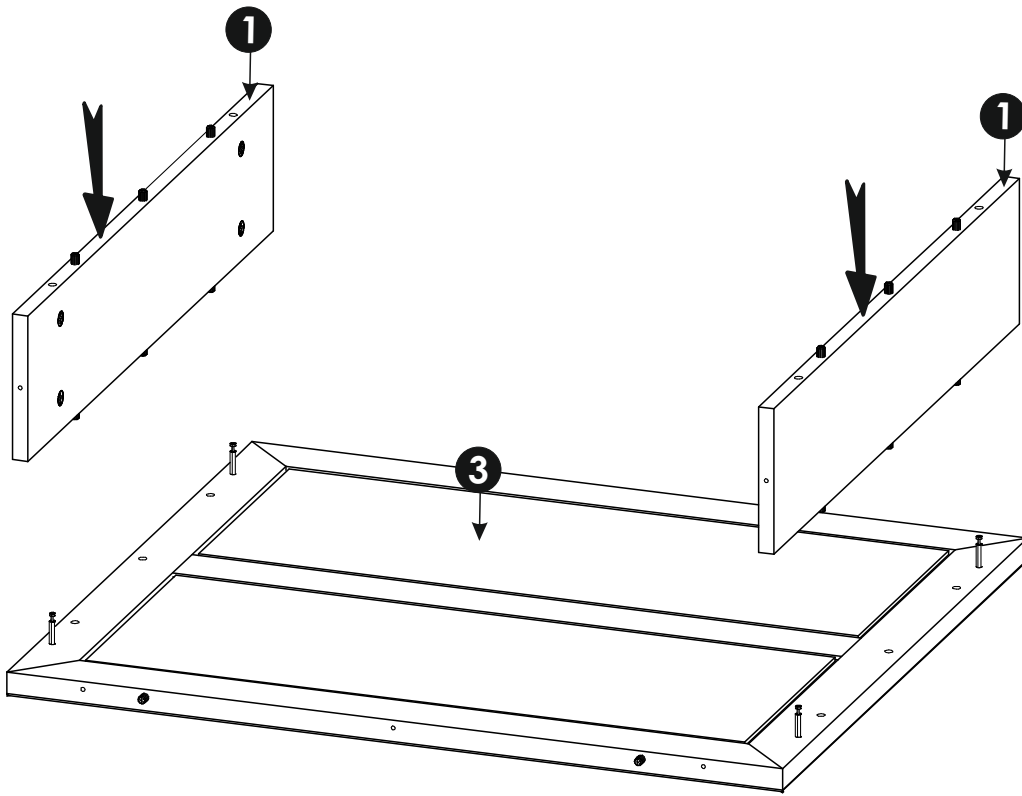
**1** ▶



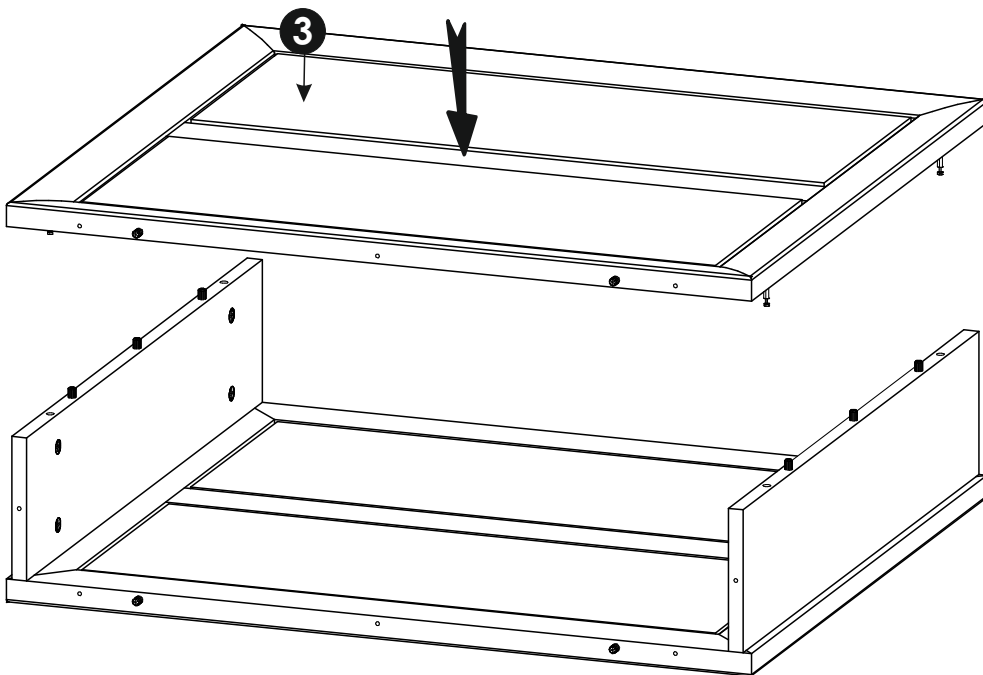
**2** ▶



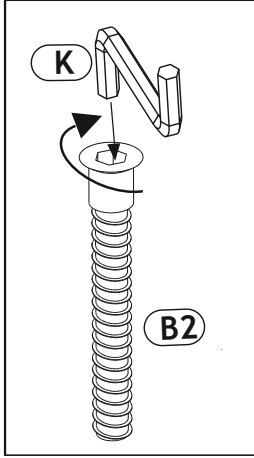
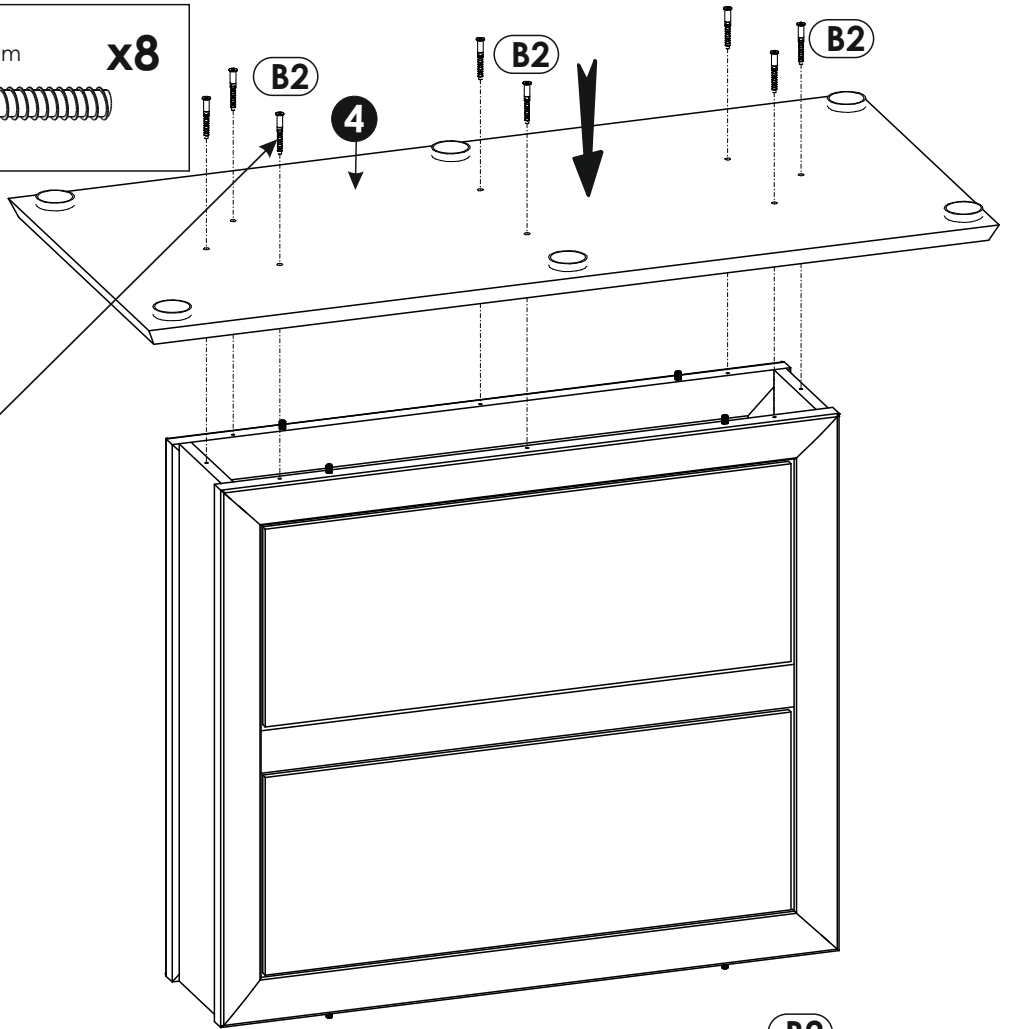
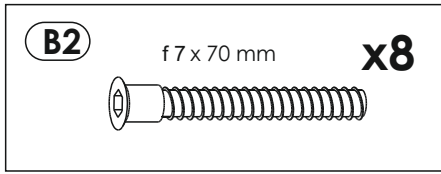
3 ▶



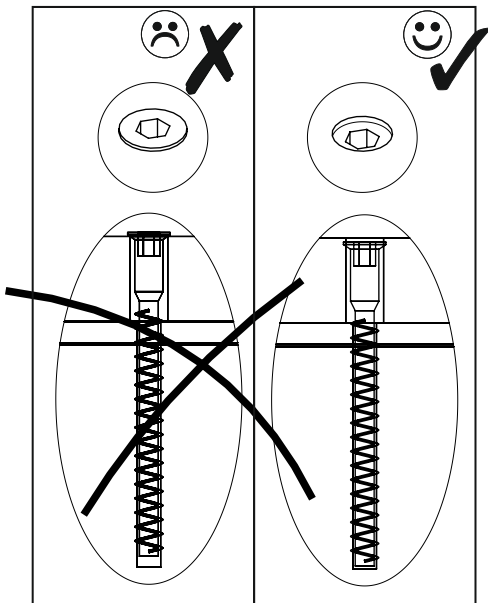
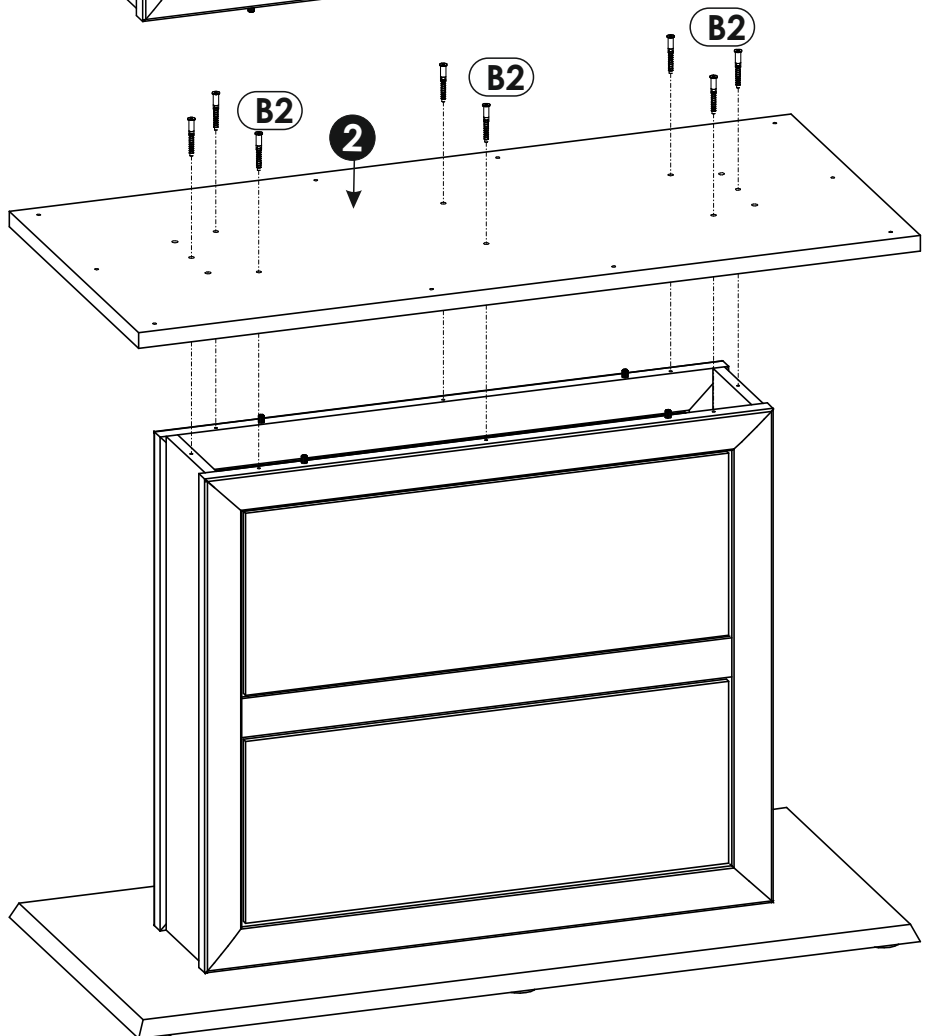
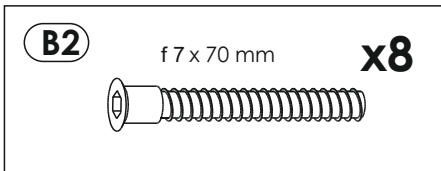
4 ▶



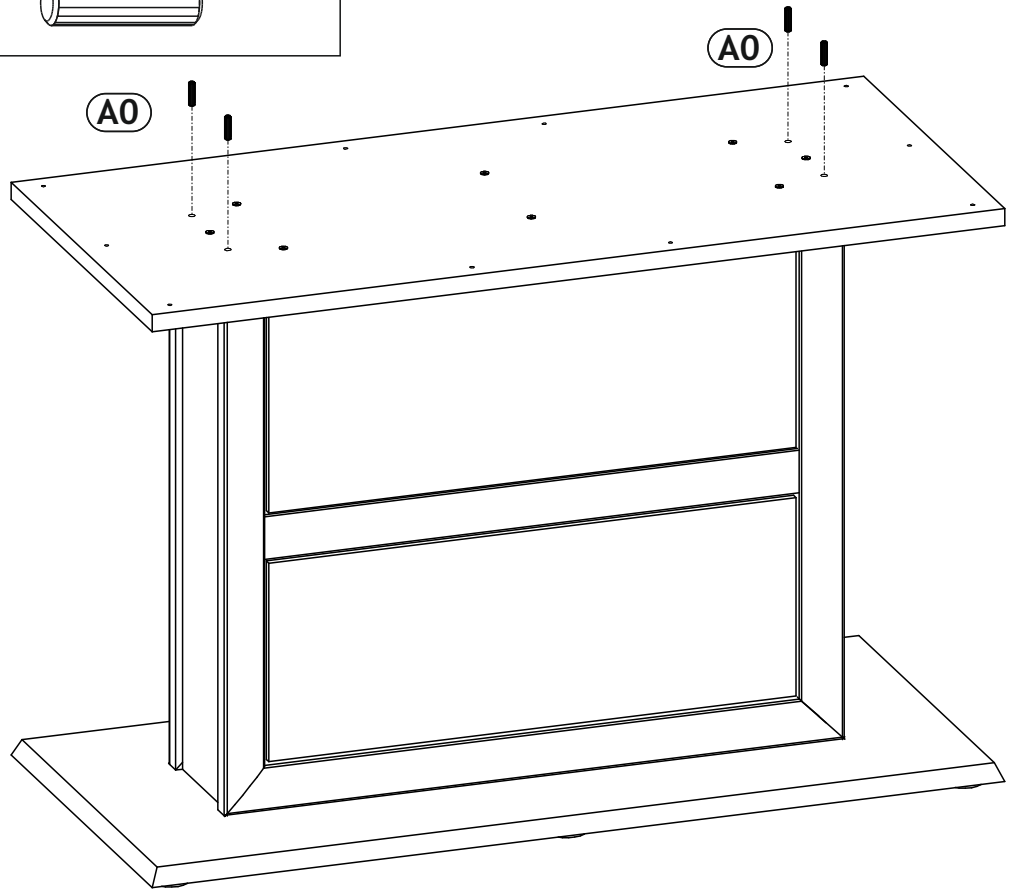
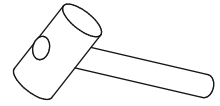
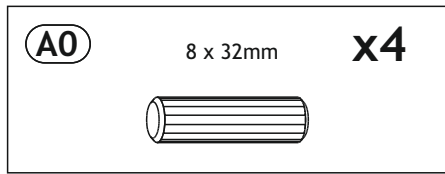
5



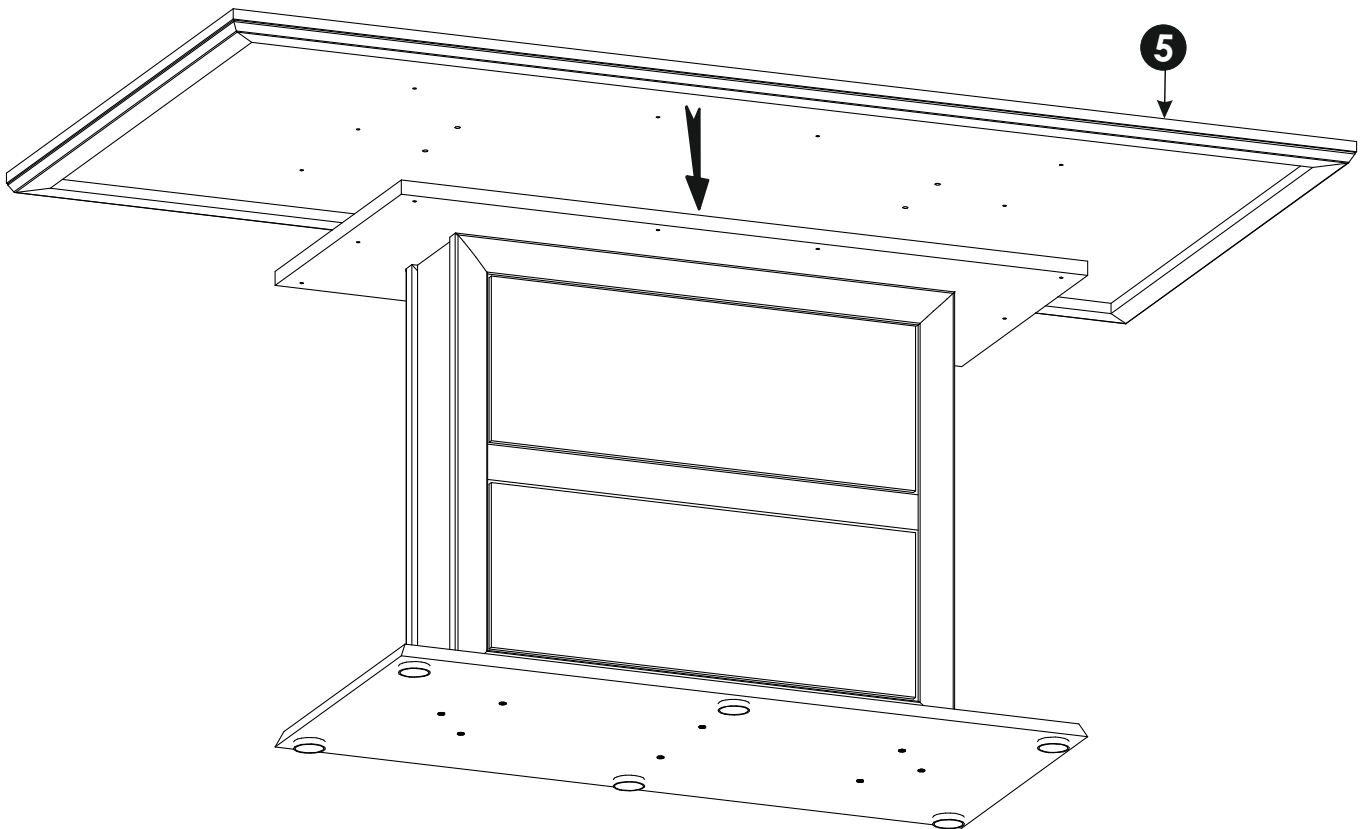
6



7 ▶



8 ▶



9 ▶

**D26** 5 x 33 mm **x10**

