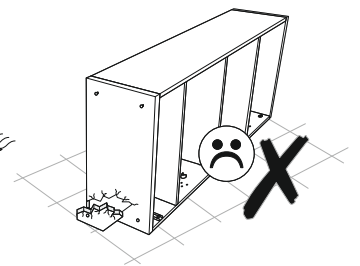
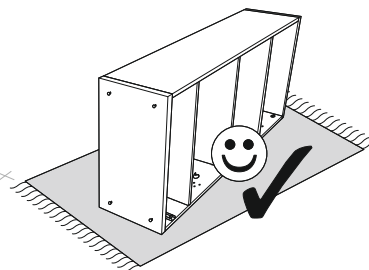
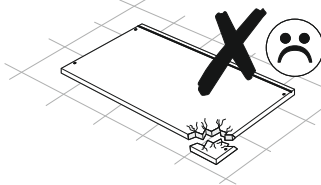
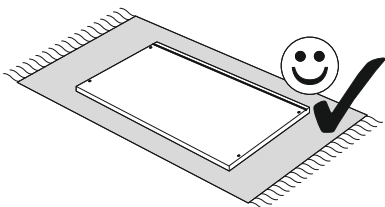
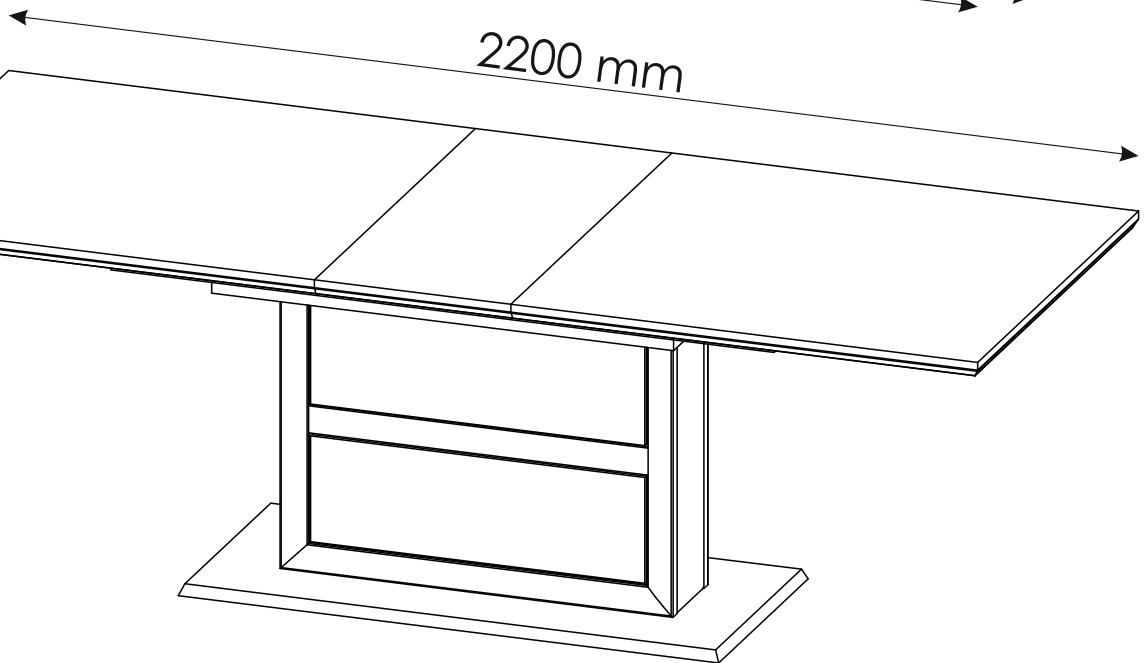
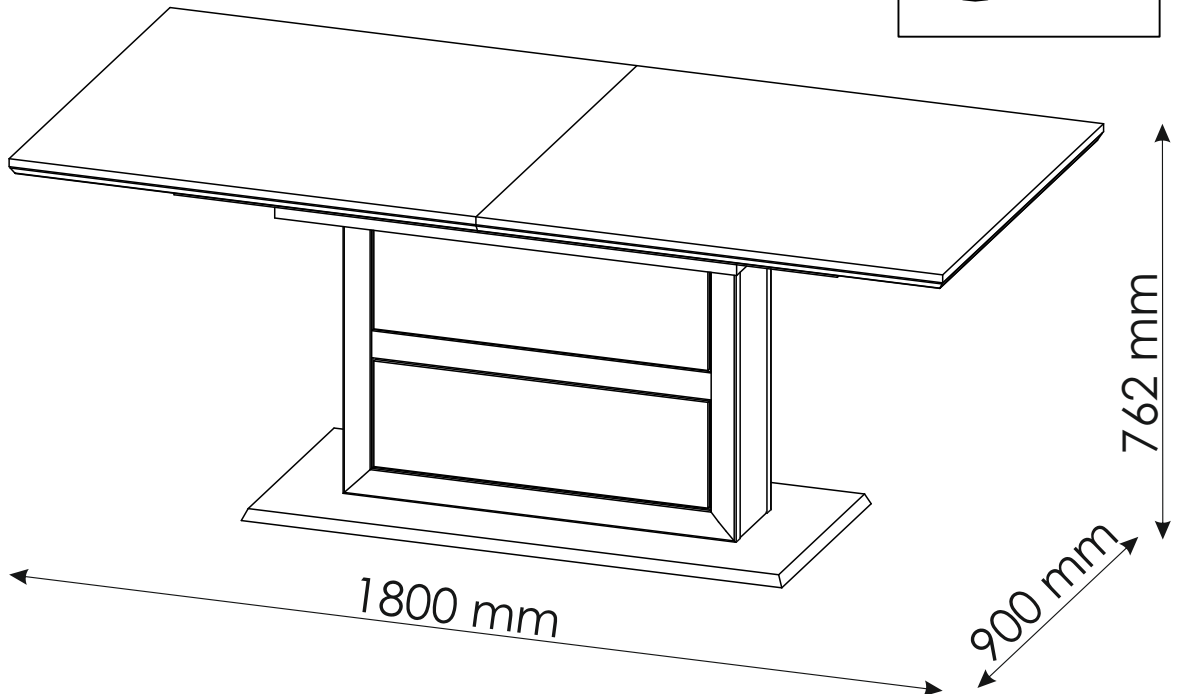
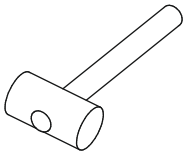
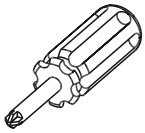
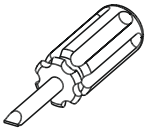
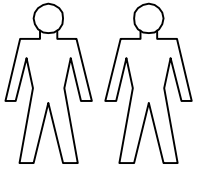
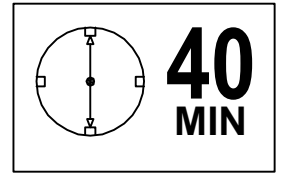




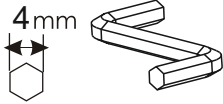
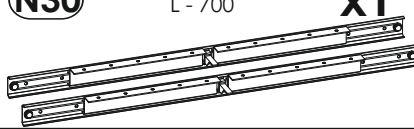
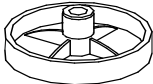
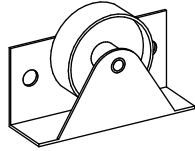

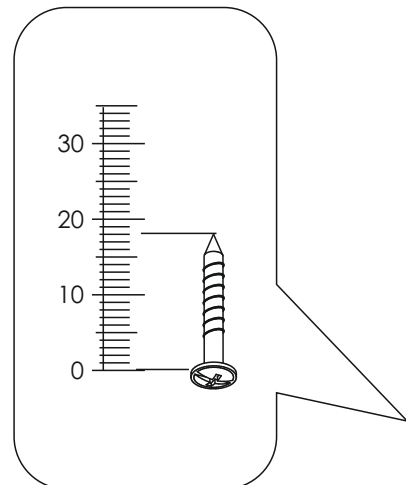
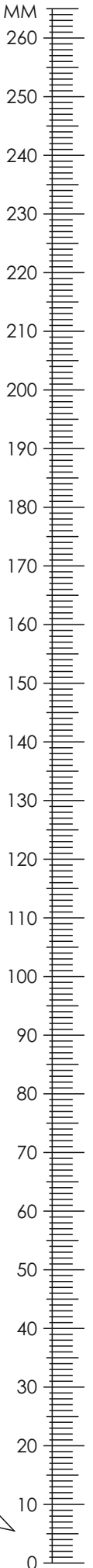


CAMRON/ LAUREY - ESSTISCH 1800/2200

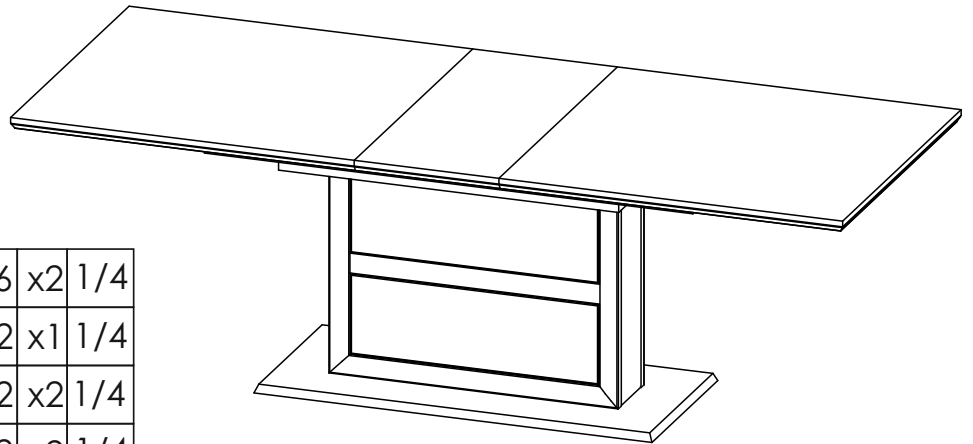



CAMRON/LAUREY - ESSTISCH 1800/2200

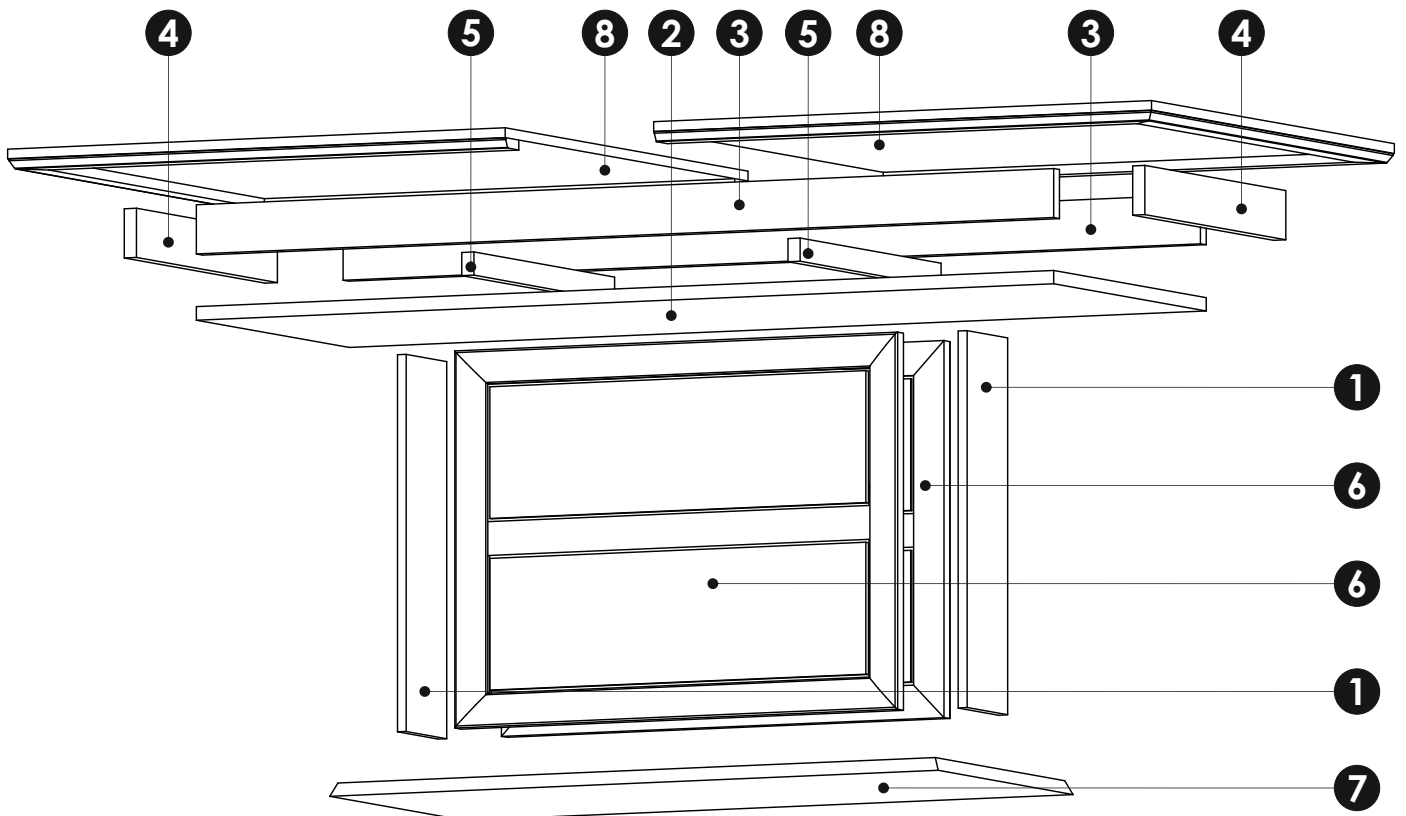
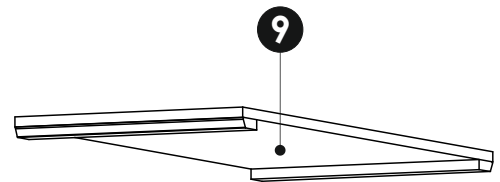
B0  x2	B2 f 7 x 70 mm  x24	C2  x16
D21 5 x 13 mm  x48	K 4mm  x1	N30 L - 700  x1
T11  x6	T13  x4	U0  x4

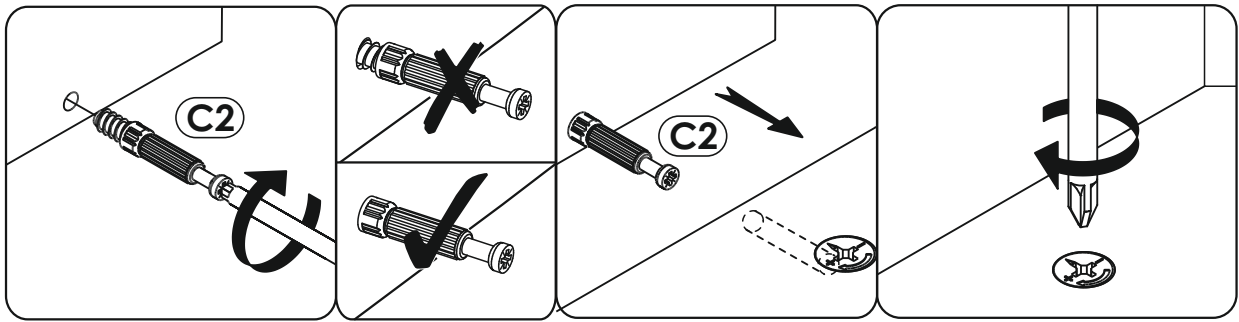


CAMRON/LAUREY - ESSTISCH 1800/2200



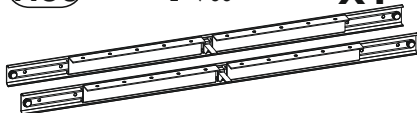


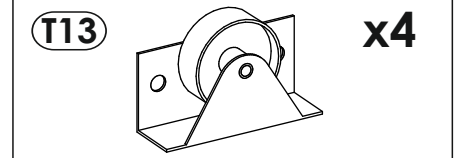
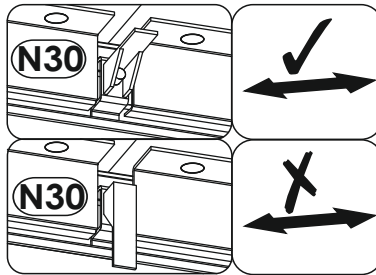
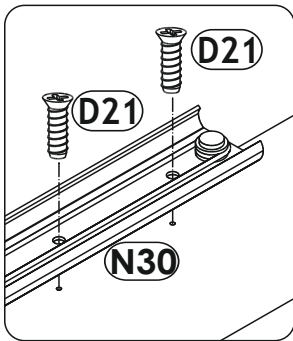
1	615	150	16	x2	1/4
2	1550	566	22	x1	1/4
3	1550	80	22	x2	1/4
4	521	80	22	x2	1/4
5	521	38	22	x2	1/4
6	615	800	25	x2	3/4
7	1020	450	22	x1	1/4
8	900	900	32	x2	2/4
9	400	900	32	x1	2/4
					4/4



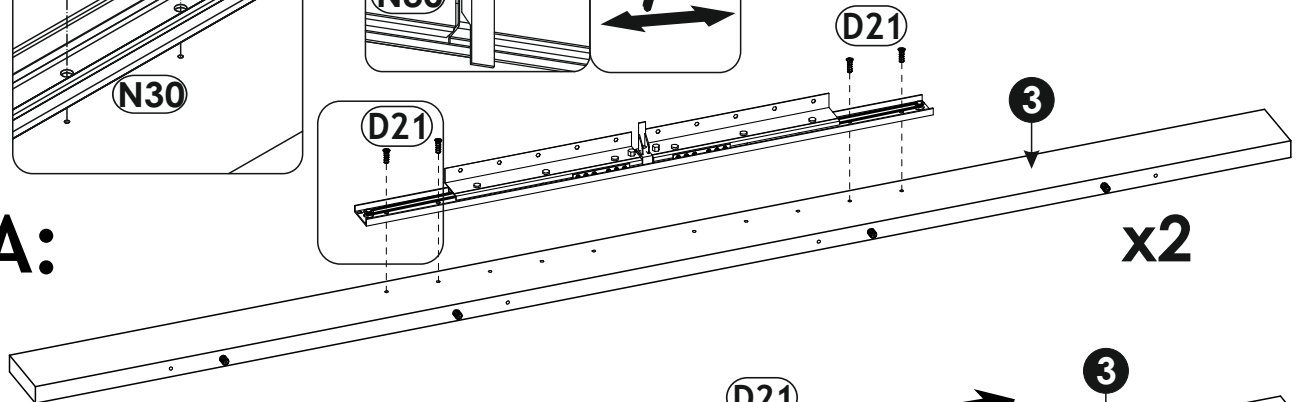


1 ▶

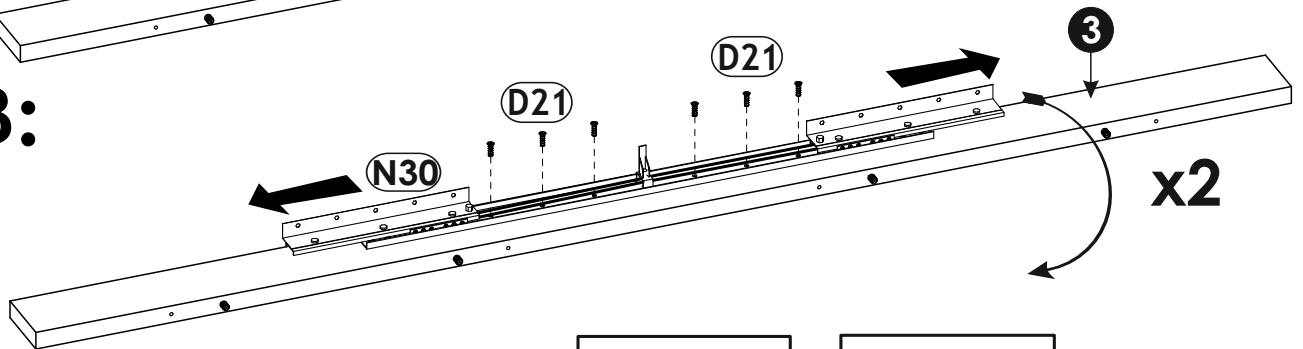
C2 	x8	D21 5 x 13 mm 	x28	N30 L-700 	x1
--	-----------	--	------------	---	-----------



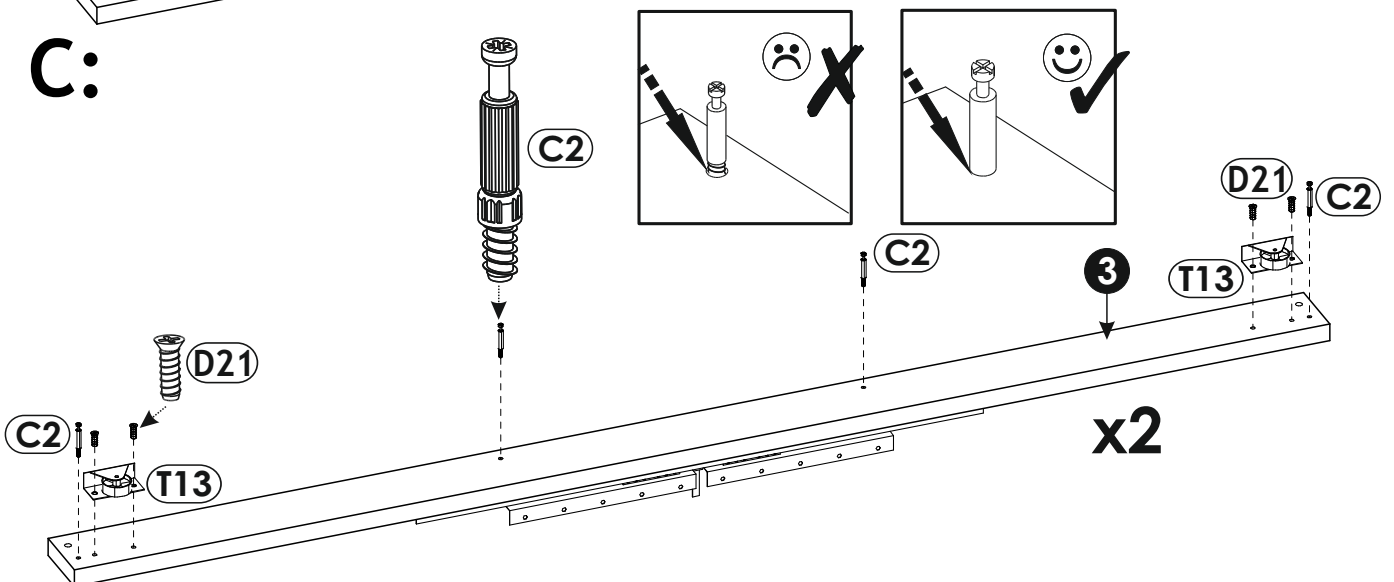
A:



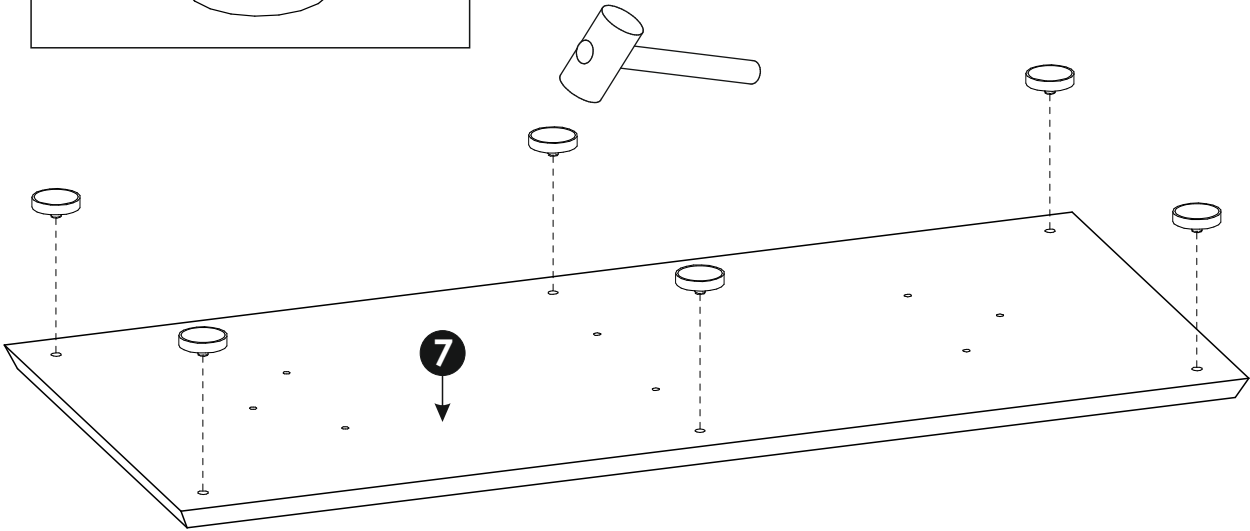
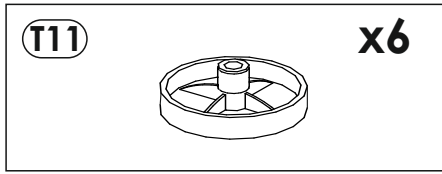
B:



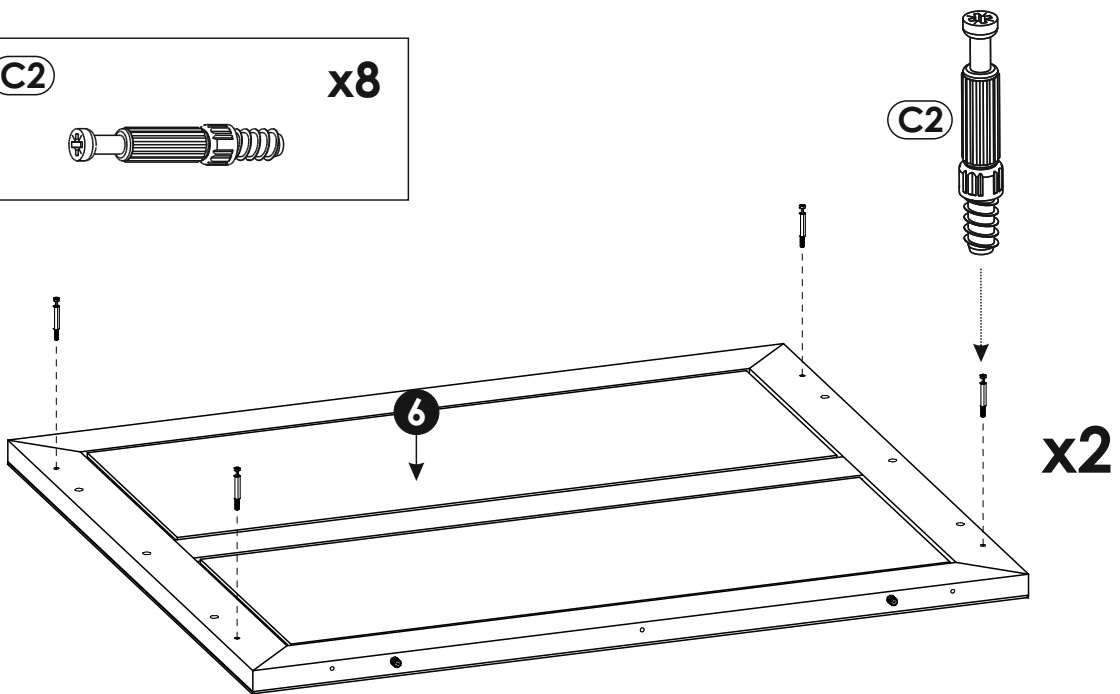
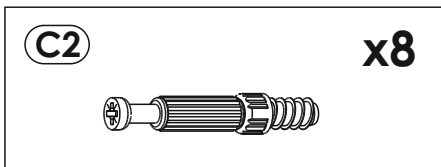
C:



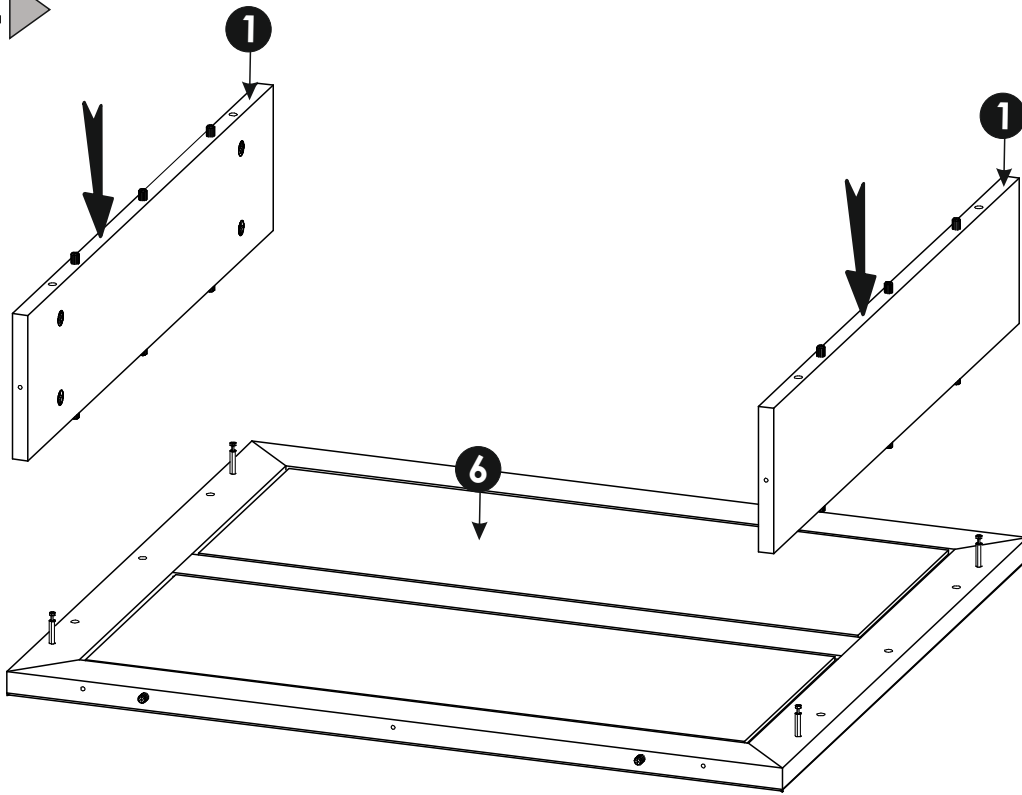
2 ▶



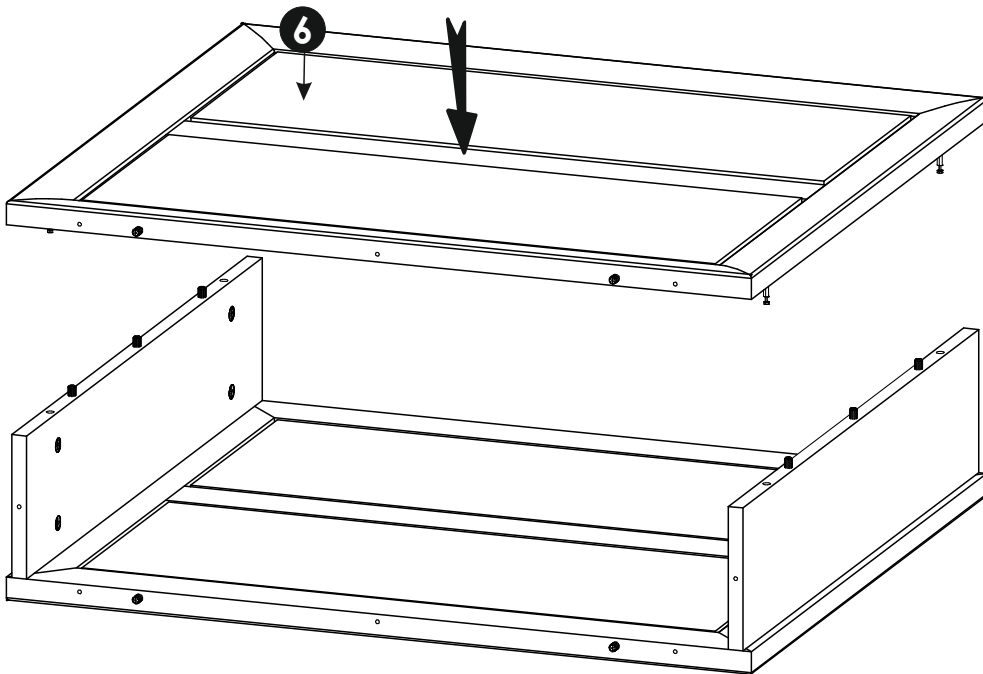
3 ▶



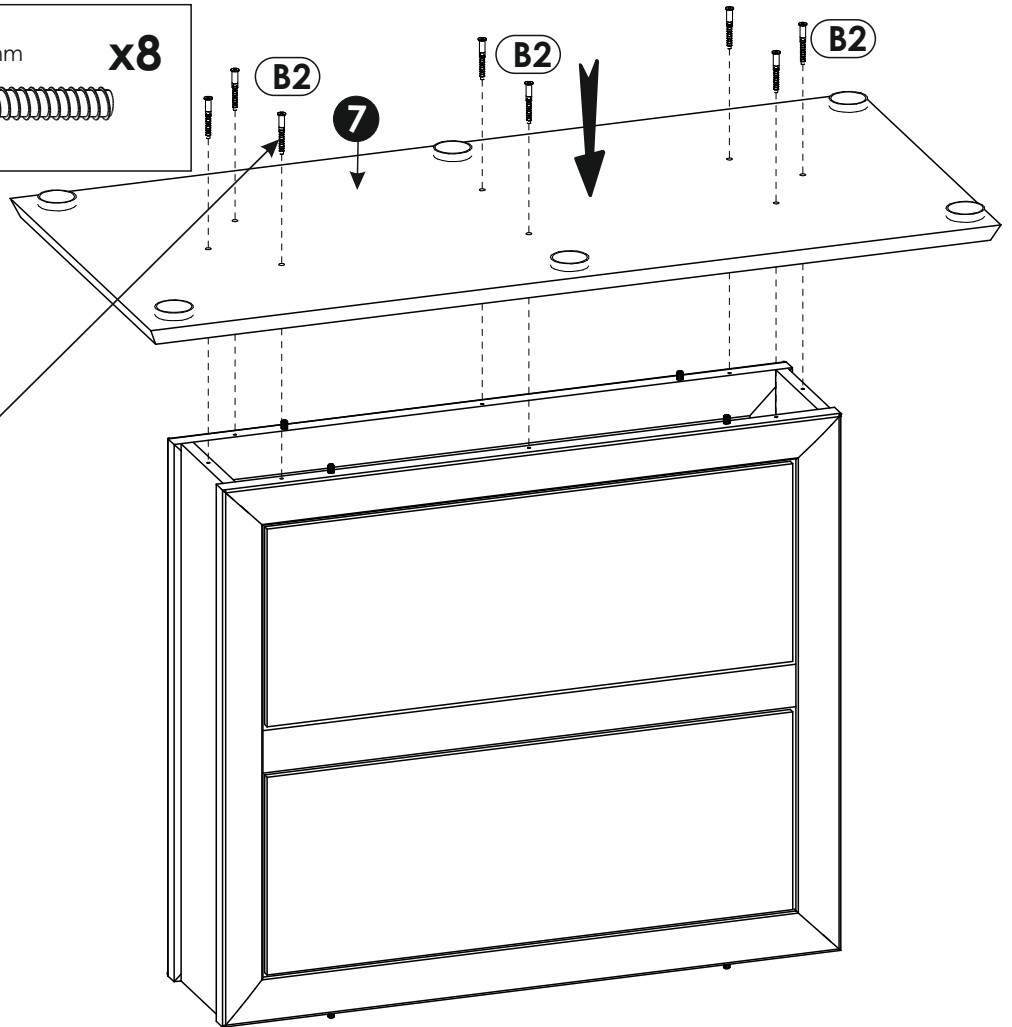
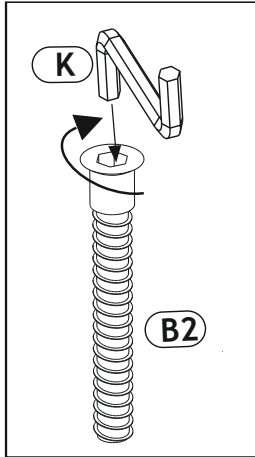
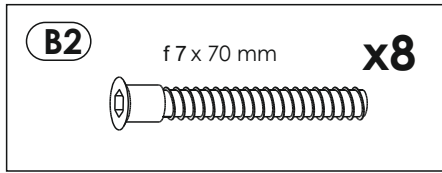
4 ▶



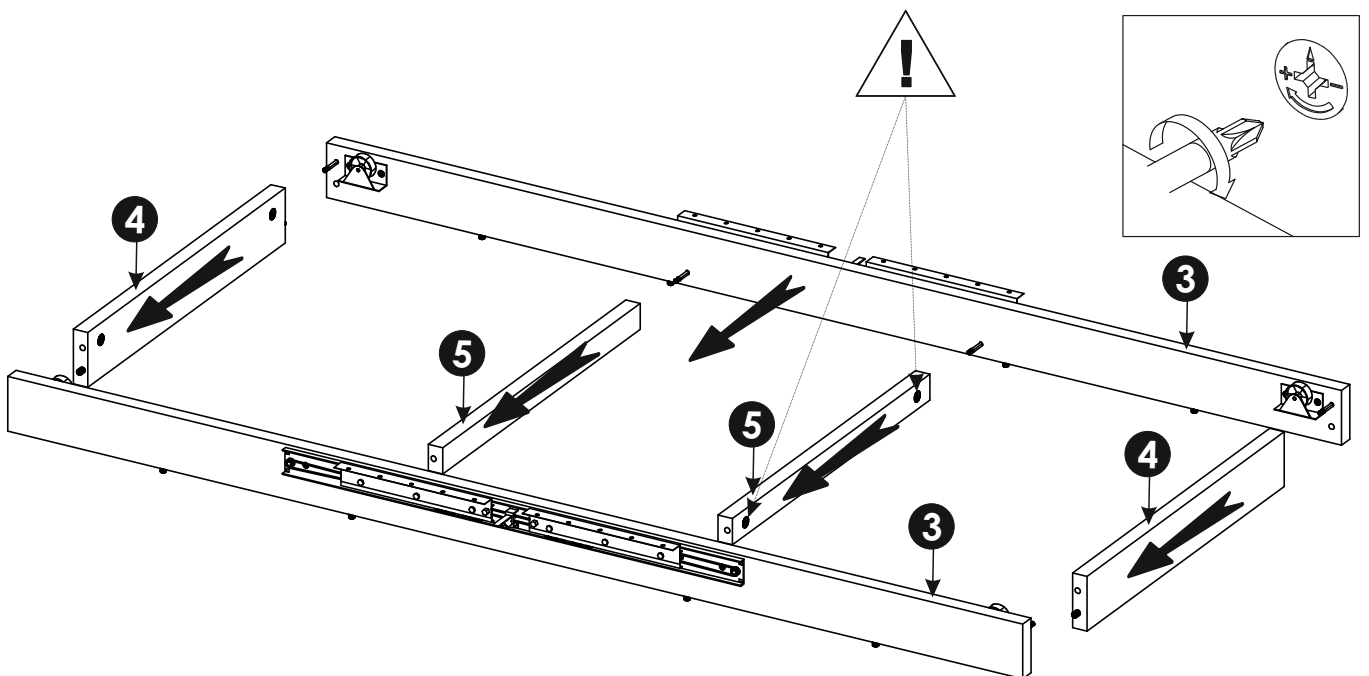
5 ▶



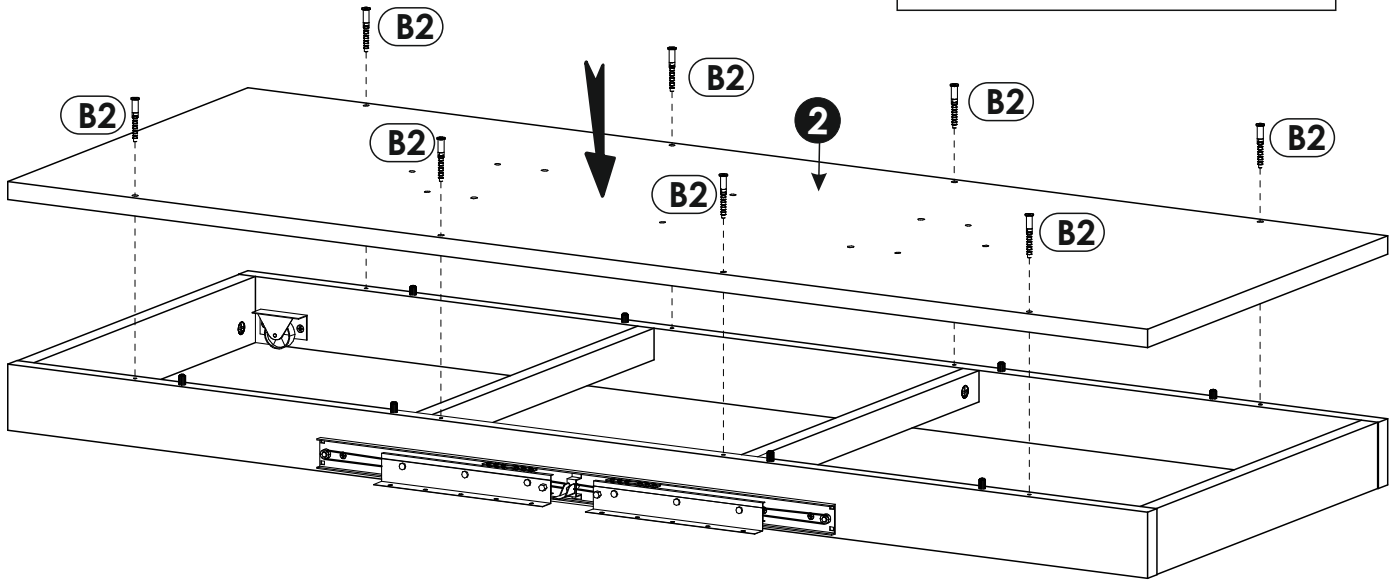
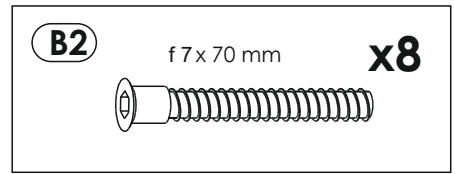
6 ▶



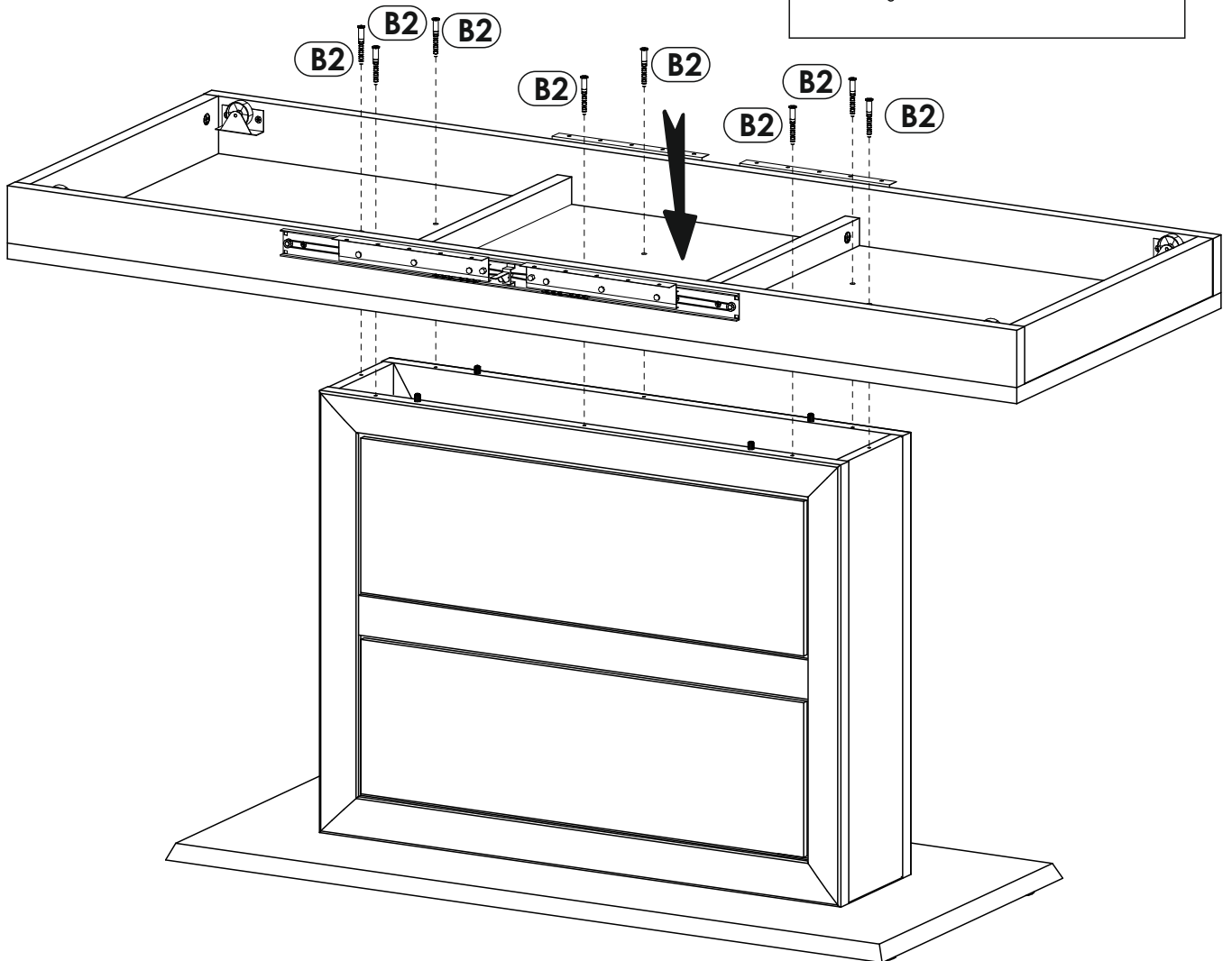
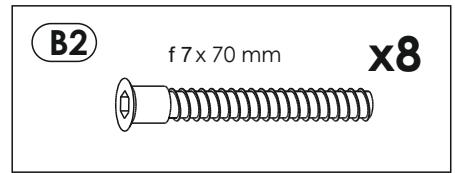
7 ▶



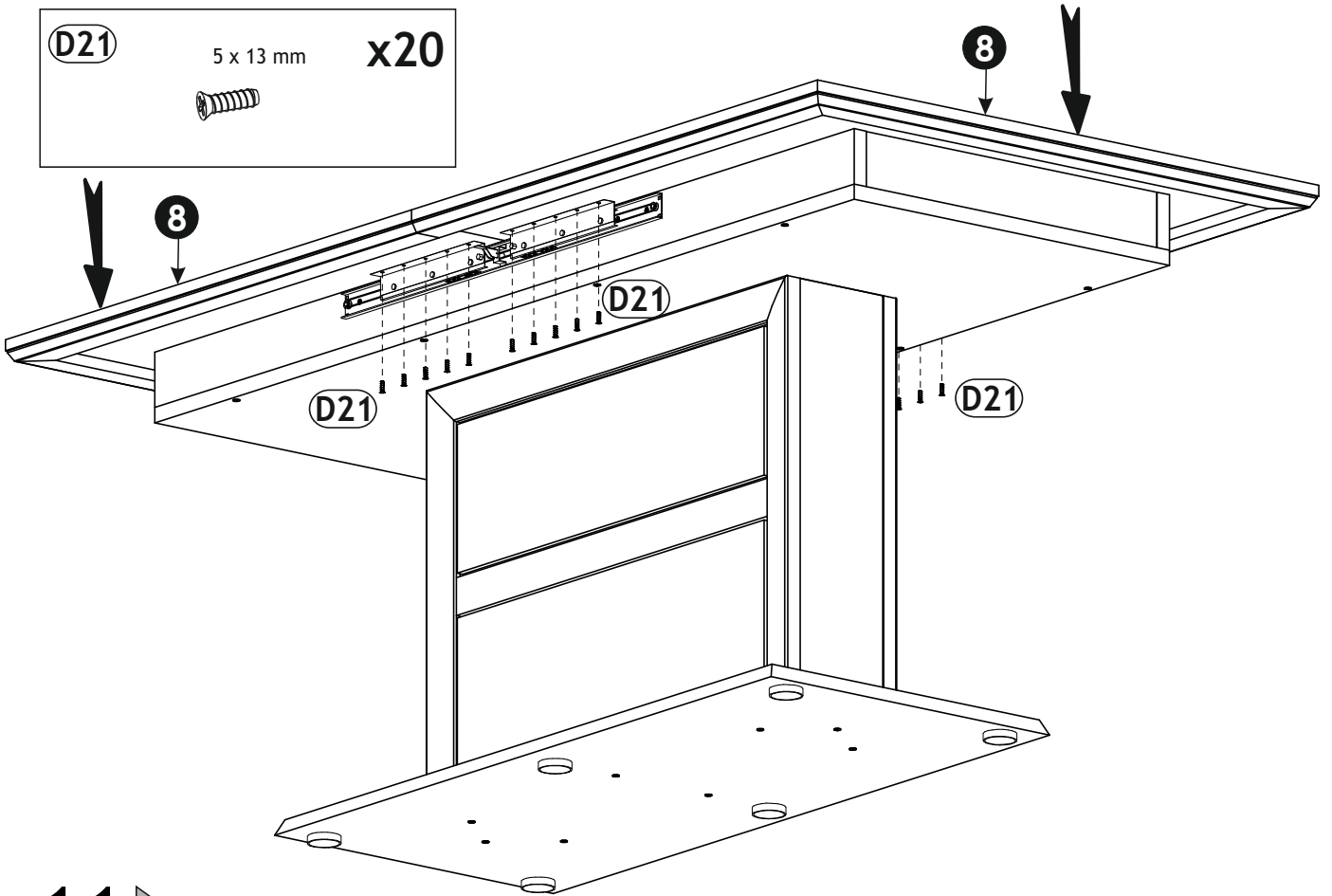
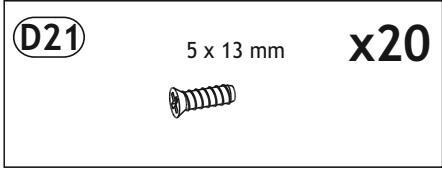
8 ▶



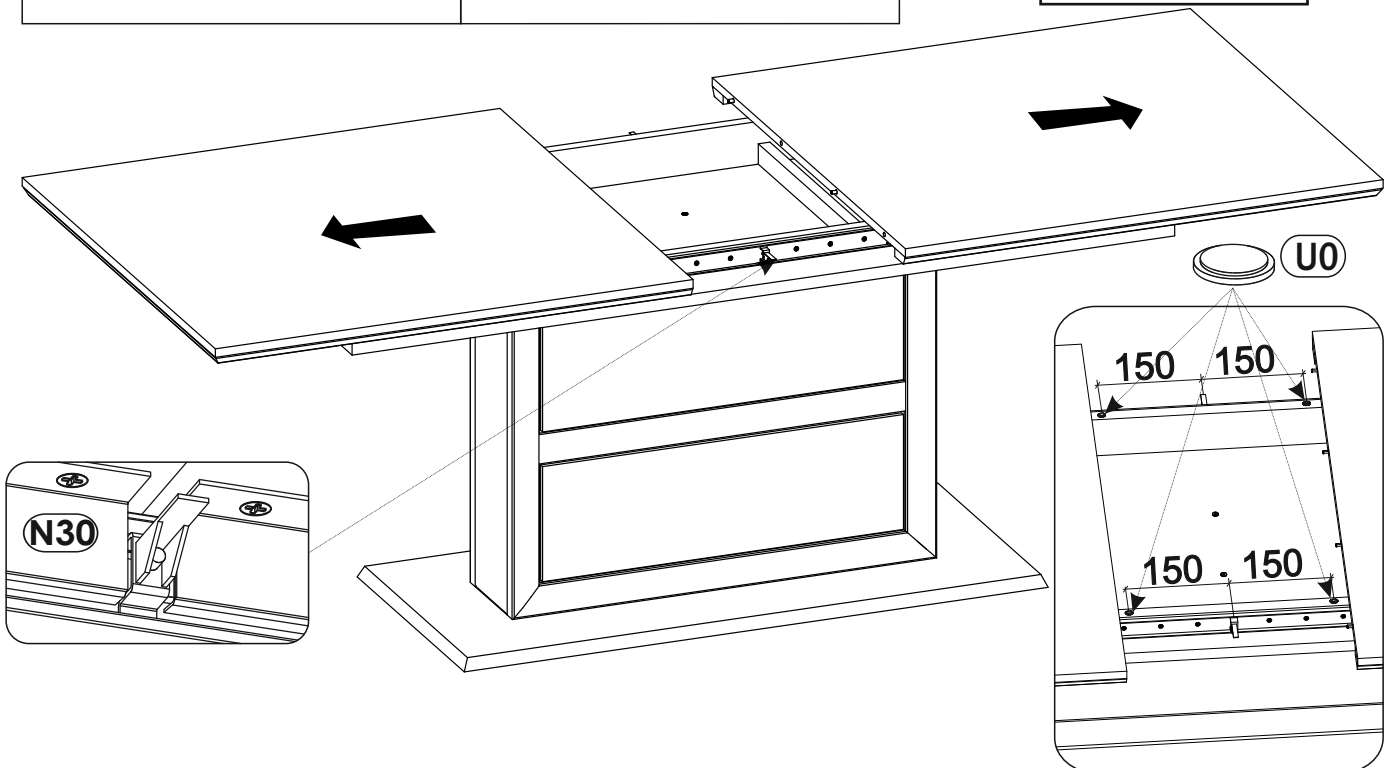
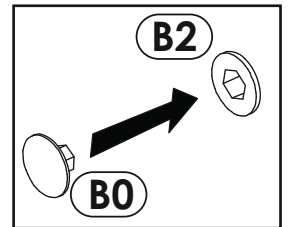
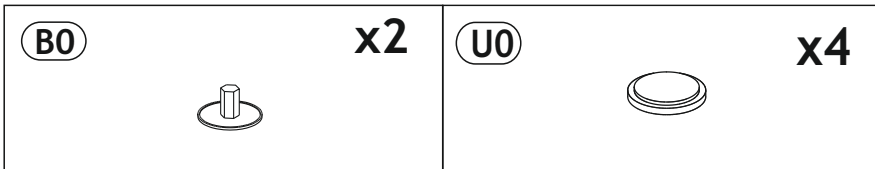
9 ▶



10 ▶

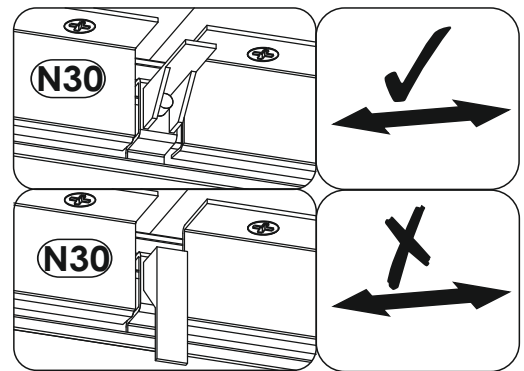
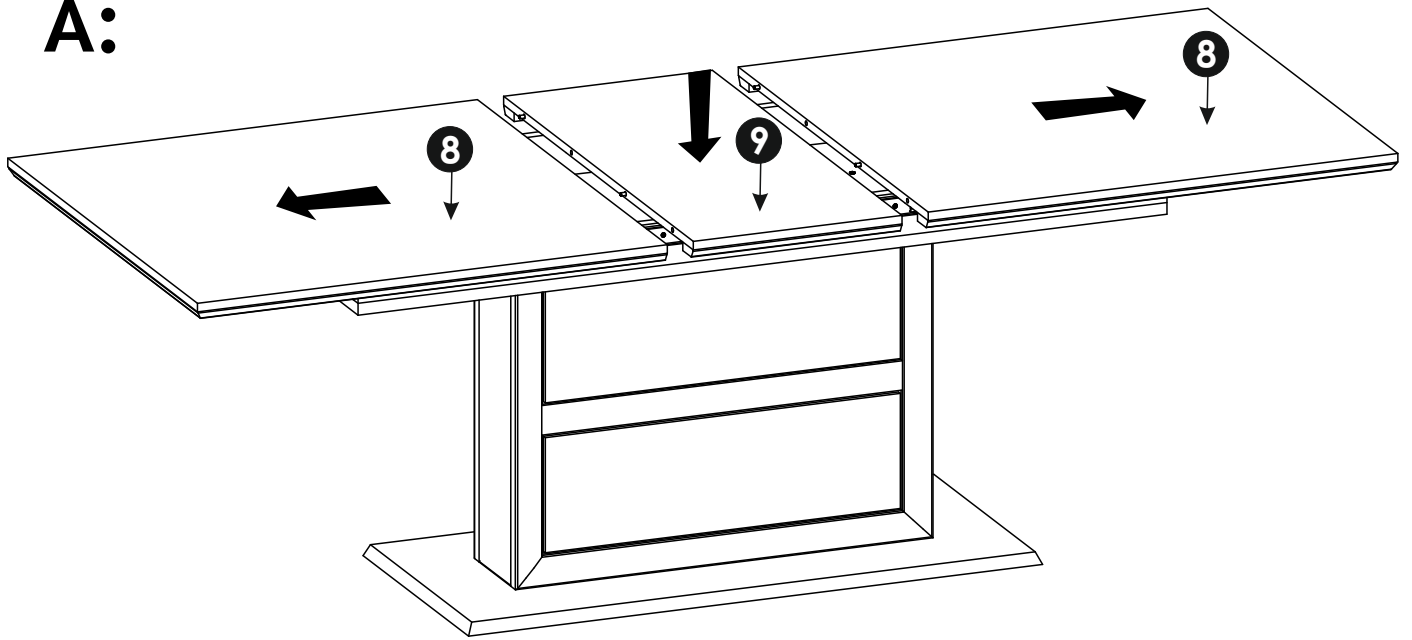


11 ▶

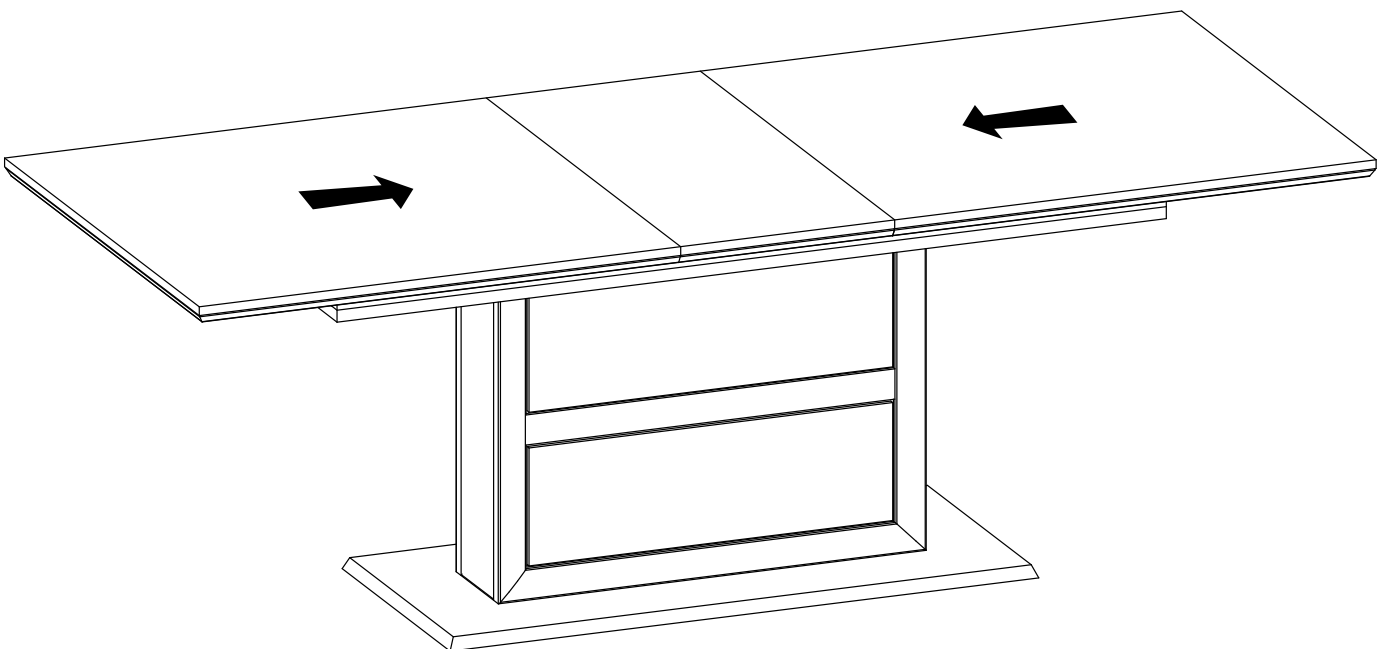


12 ▶

A:

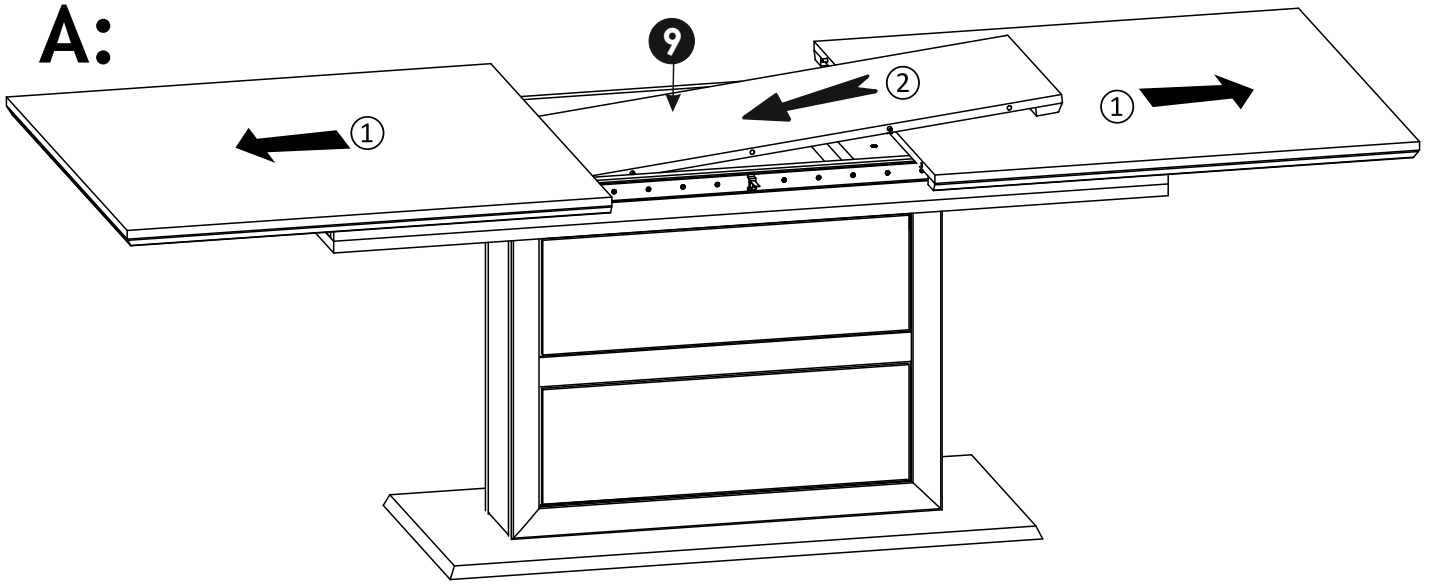


B:

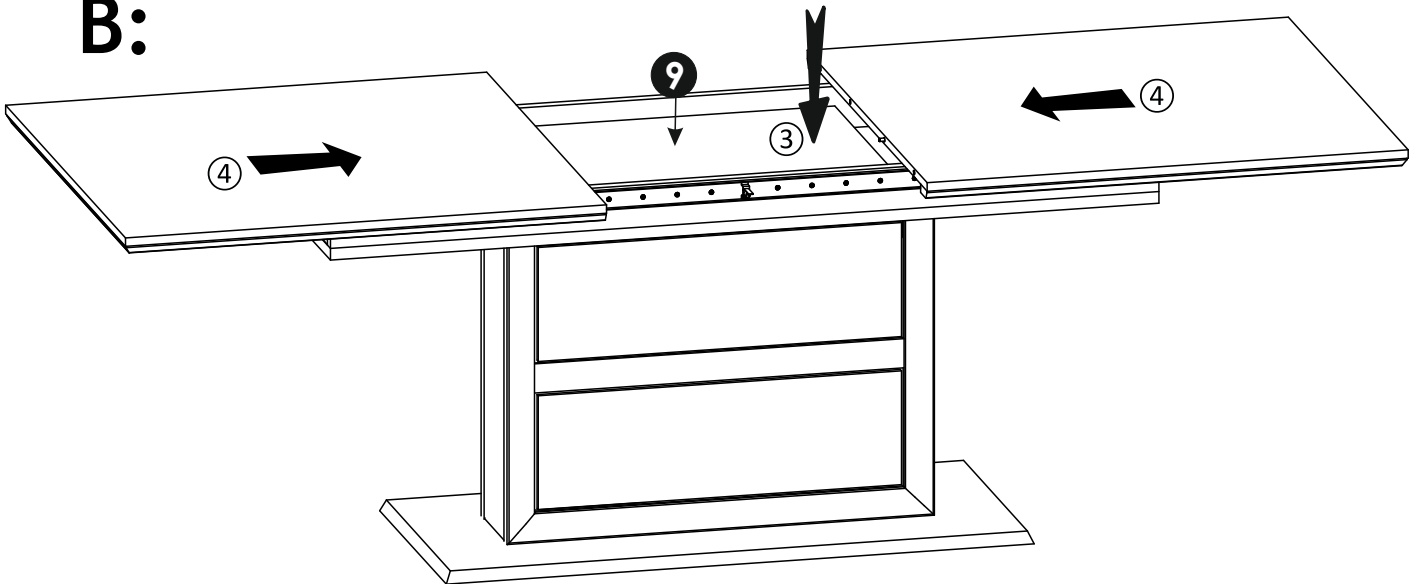


13 ▶

A:



B:



C:

