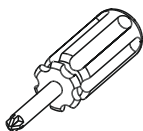
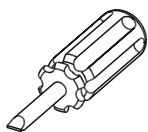
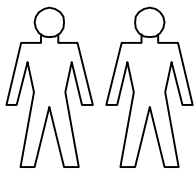
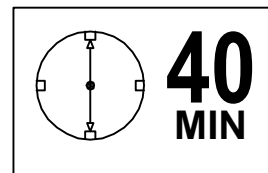
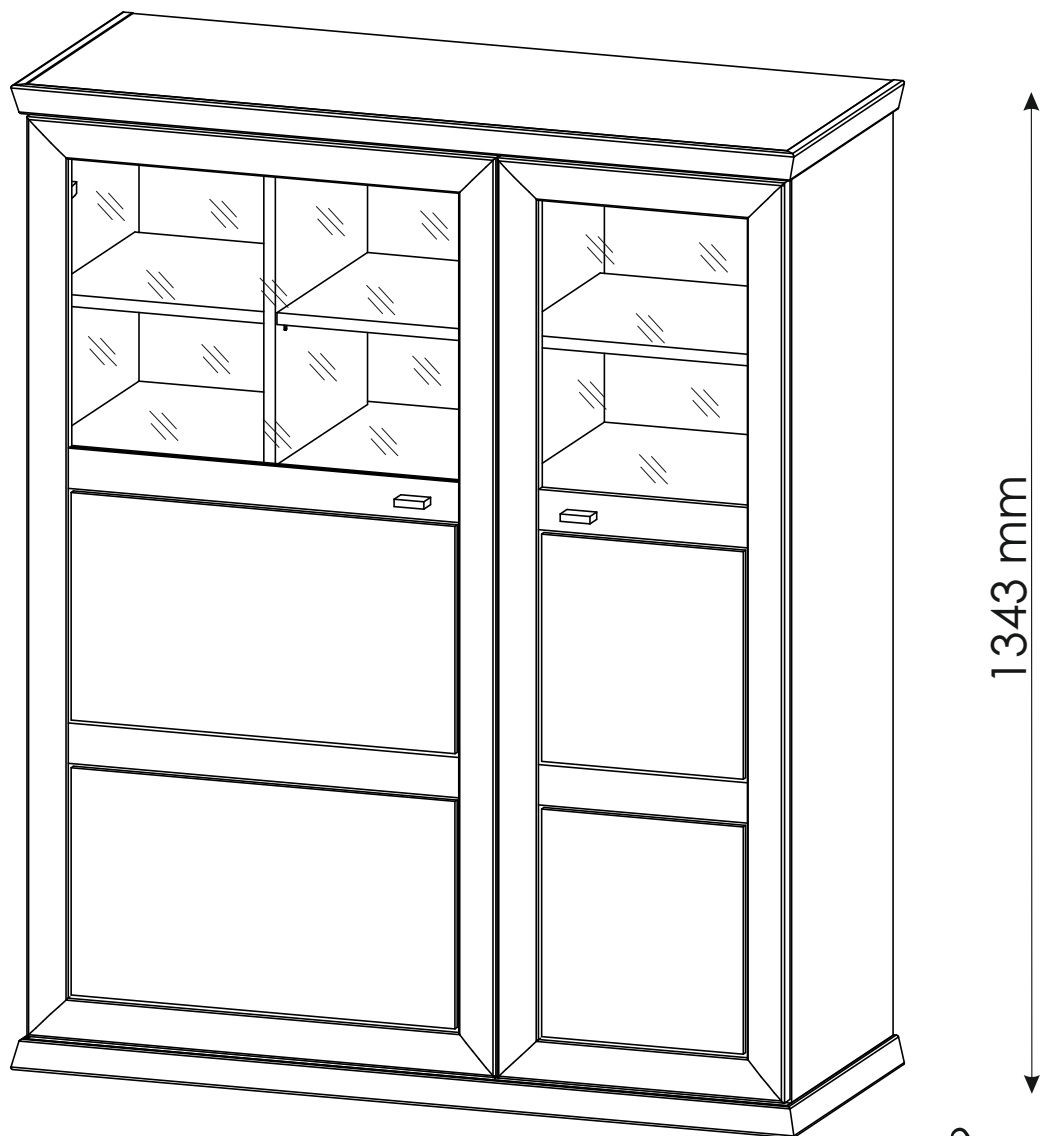


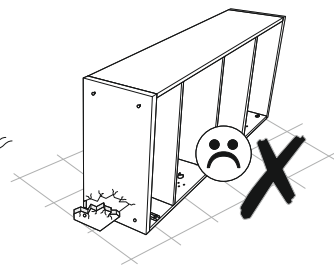
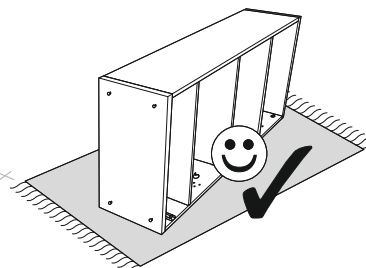
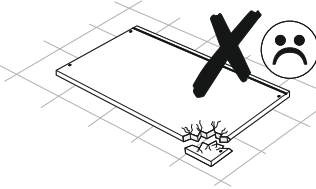
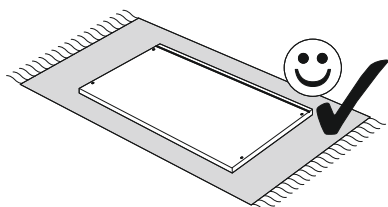
CAMRON / LAUREY - HIGHTBOARD 2T







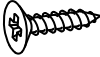

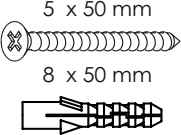



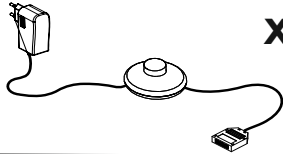

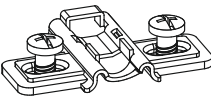
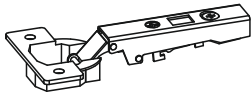
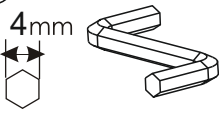



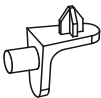

Ø8

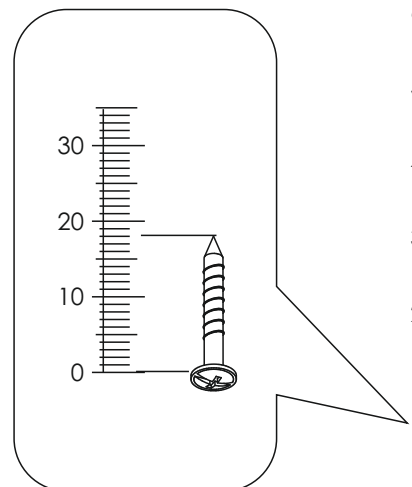
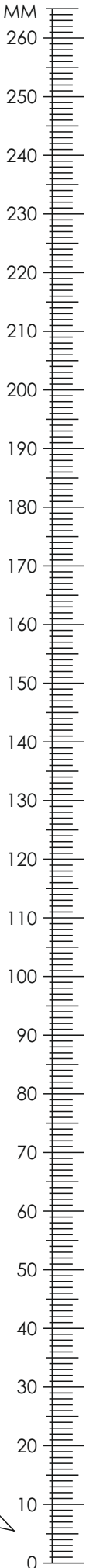


1102 mm 428 mm 1343 mm

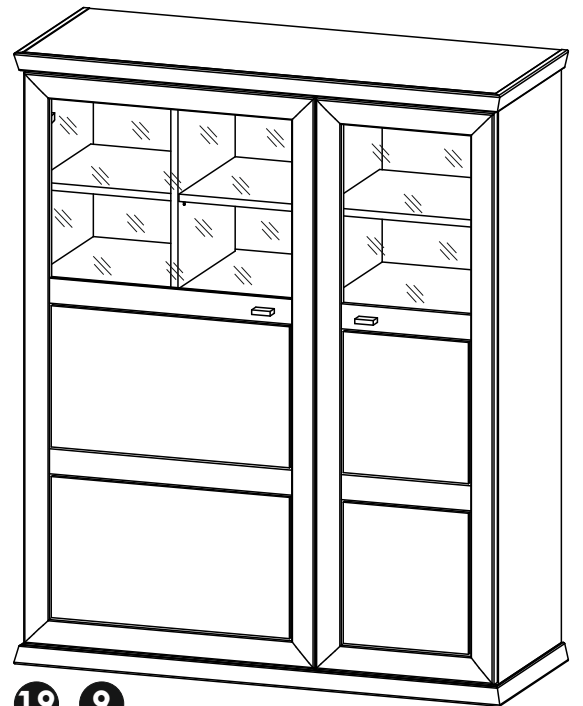


CAMRON / LAUREY - HIGHTBOARD 2T

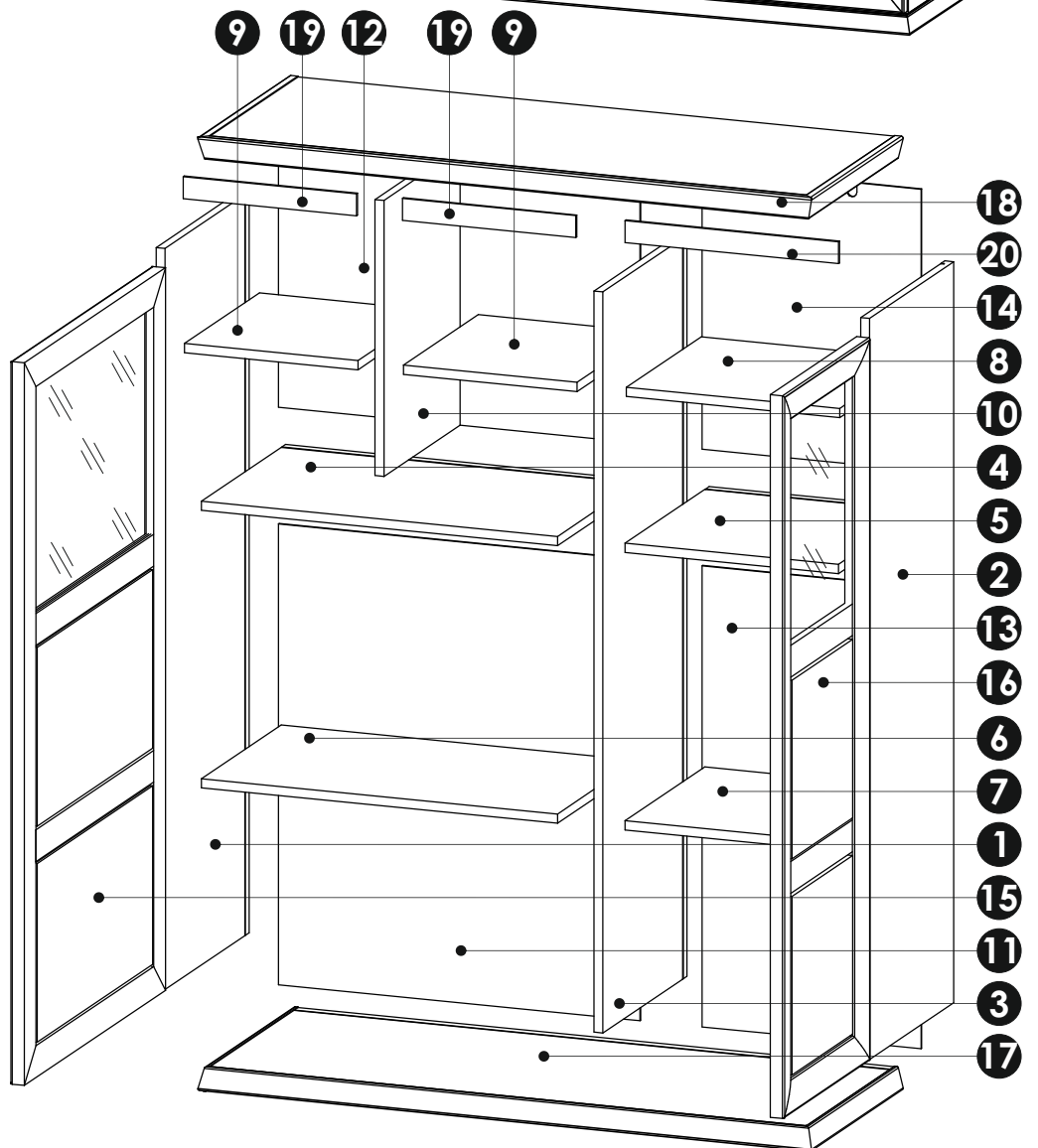
B1 f 7 x 50 mm x2 	C0 x22 	C2 x22 
D0 3 x 15 mm x37 	D10 4 x 16 mm x12 	D21 5 x 13 mm x2 
E0 5 x 50 mm x2 8 x 50 mm 	G1 x1  L=638	G2 x1  L=374
G3 x5 	G5 x1 	H2 4 x 22 mm x4 
J3 x6 	J10 x6 	K x1 4mm 
L6 x2 	M1 x32 	P0 x2 
Q3 x20 	U2 x6 	

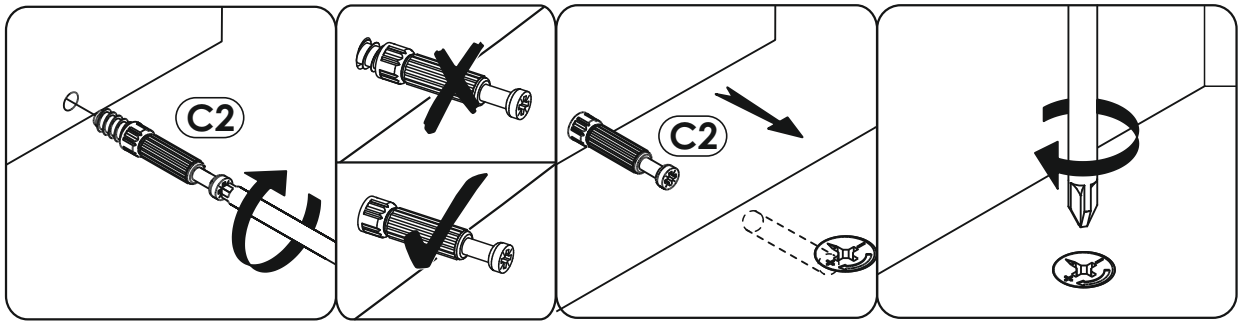


CAMRON / LAUREY - HIGHTBOARD 2T

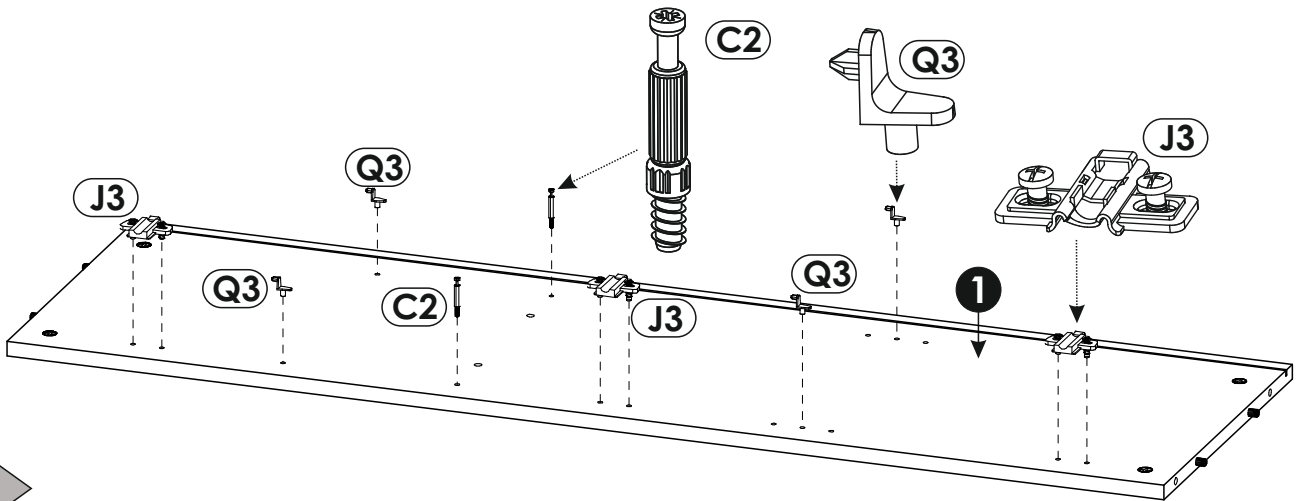
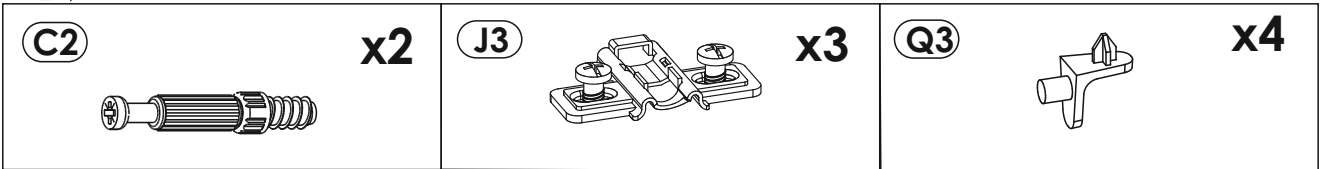


1	1286	393	16	x1	1/4
2	1286	393	16	x1	1/4
3	1286	393	16	x1	1/4
4	639	393	16	x1	2/4
5	383	393	16	x1	2/4
6	639	373	16	x1	2/4
7	383	373	16	x1	2/4
8	383	350	16	x1	2/4
9	311	350	16	x2	2/4
10	479	356	16	x1	2/4
11	648	800	2,8	x1	4/4
12	648	488	2,8	x1	4/4
13	392	800	2,8	x1	4/4
14	392	488	2,8	x1	4/4
15	1254	660	25	x1	4/4
16	1254	404	25	x1	4/4
17	1102	428	40	x1	3/4
18	1102	428	40	x1	3/4
19	311	32	8	x2	3/4
20	383	32	8	x1	3/4

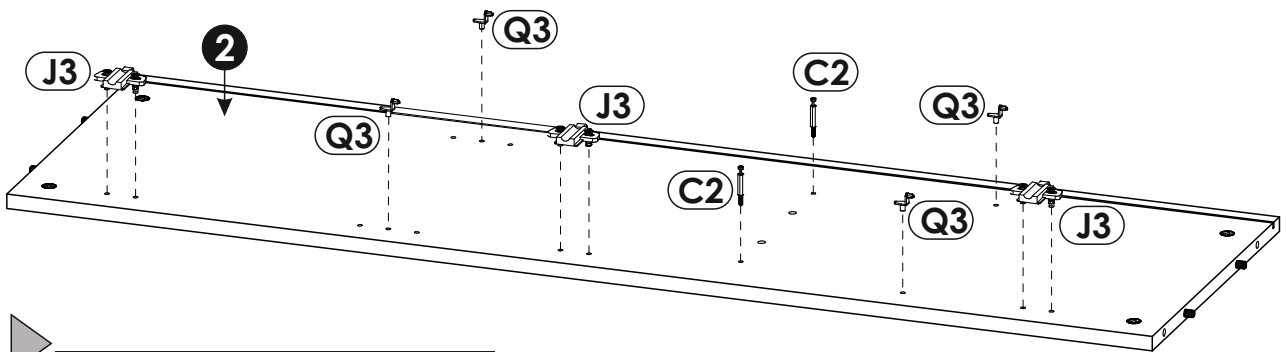
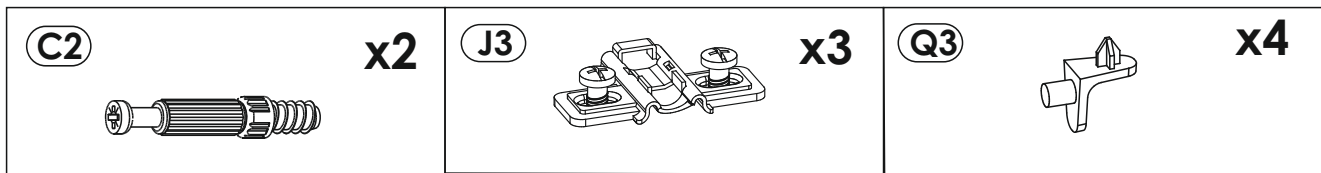




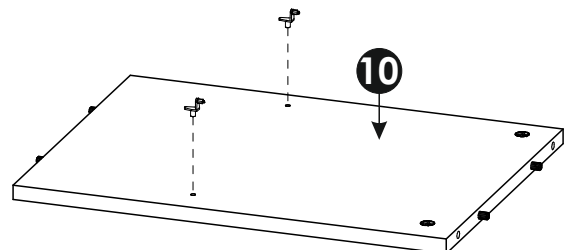
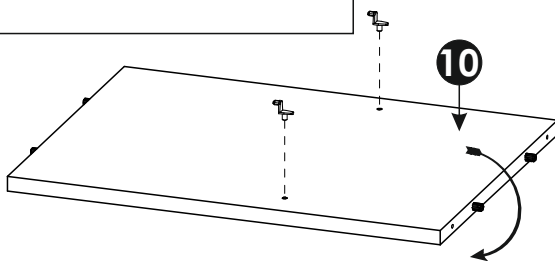
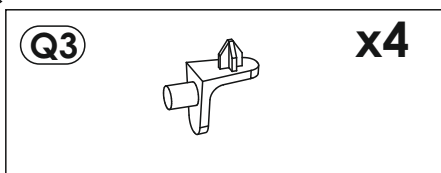
1 ▶



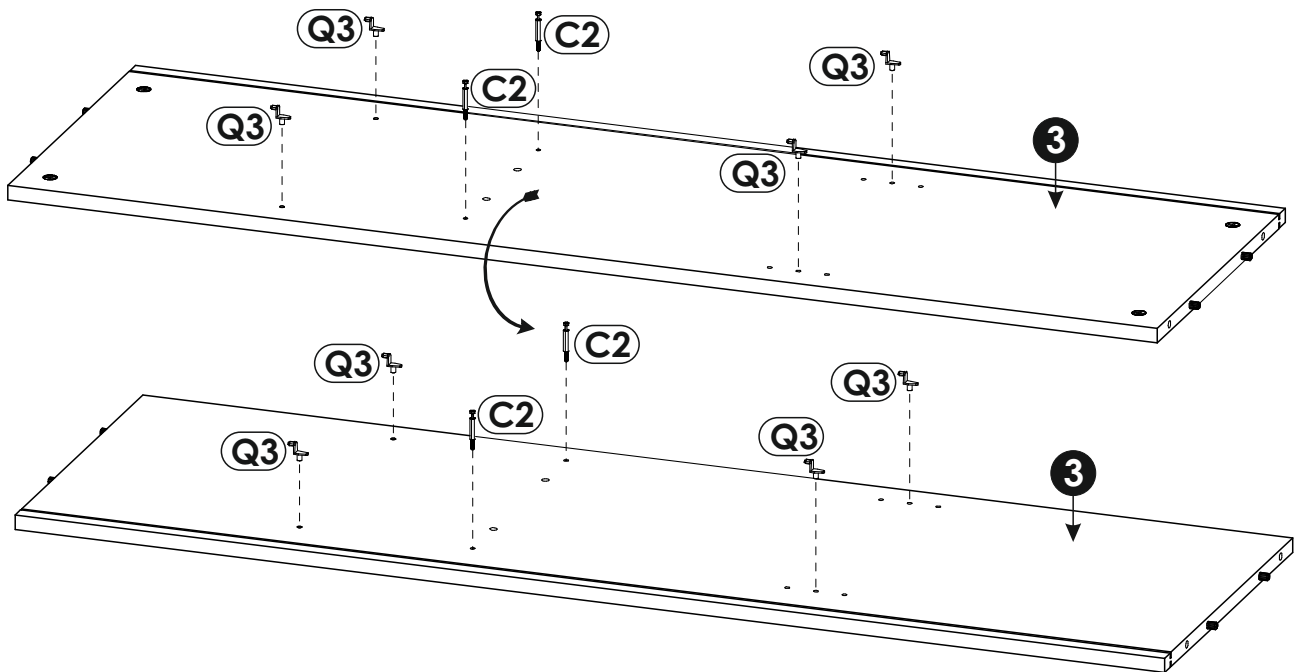
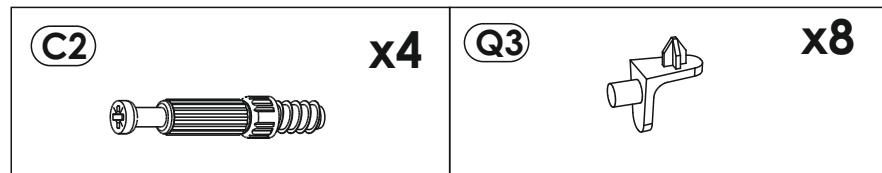
2 ▶



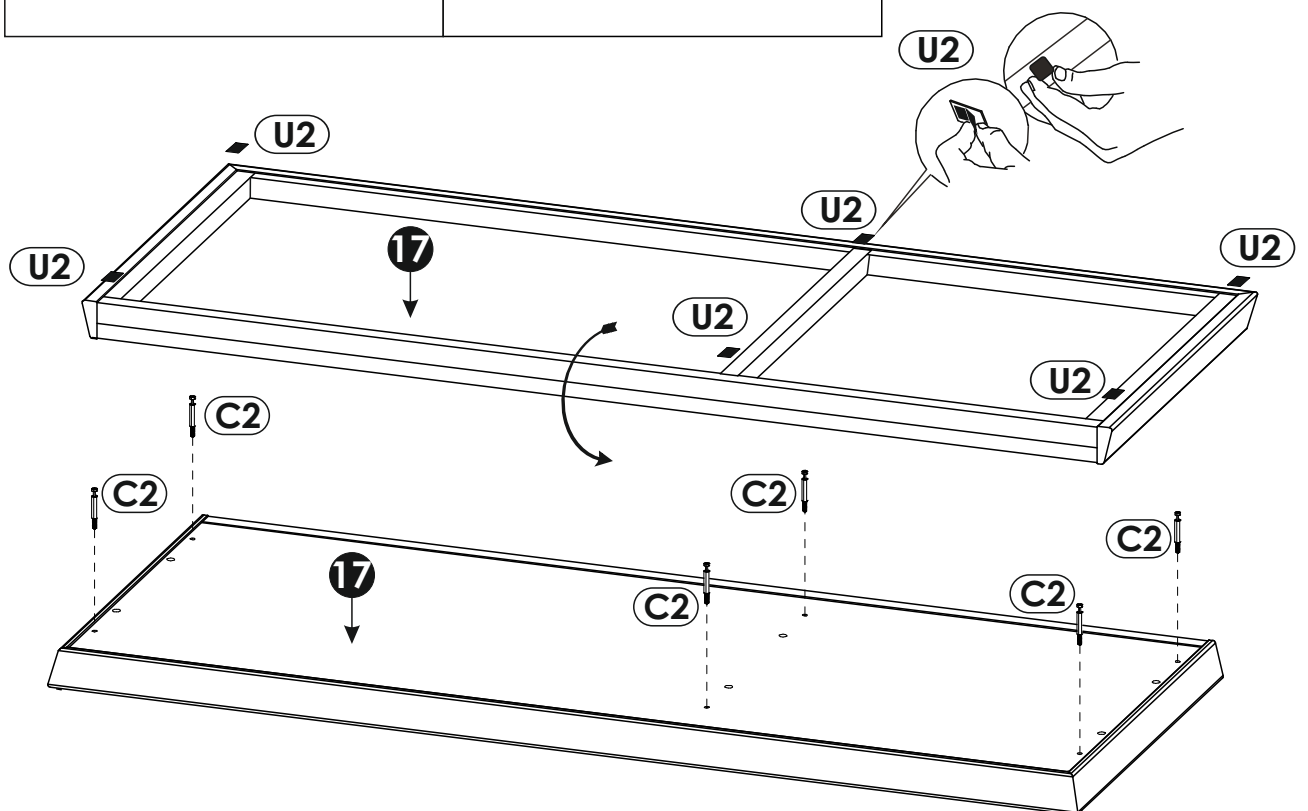
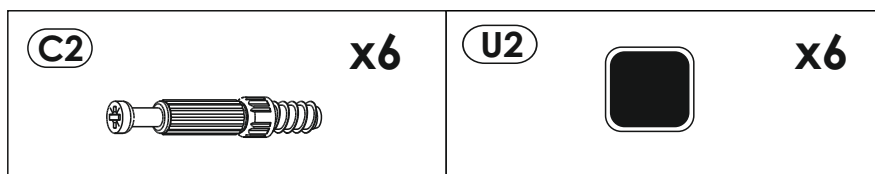
3 ▶





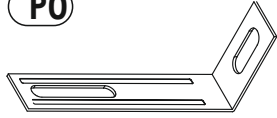
4 ▶

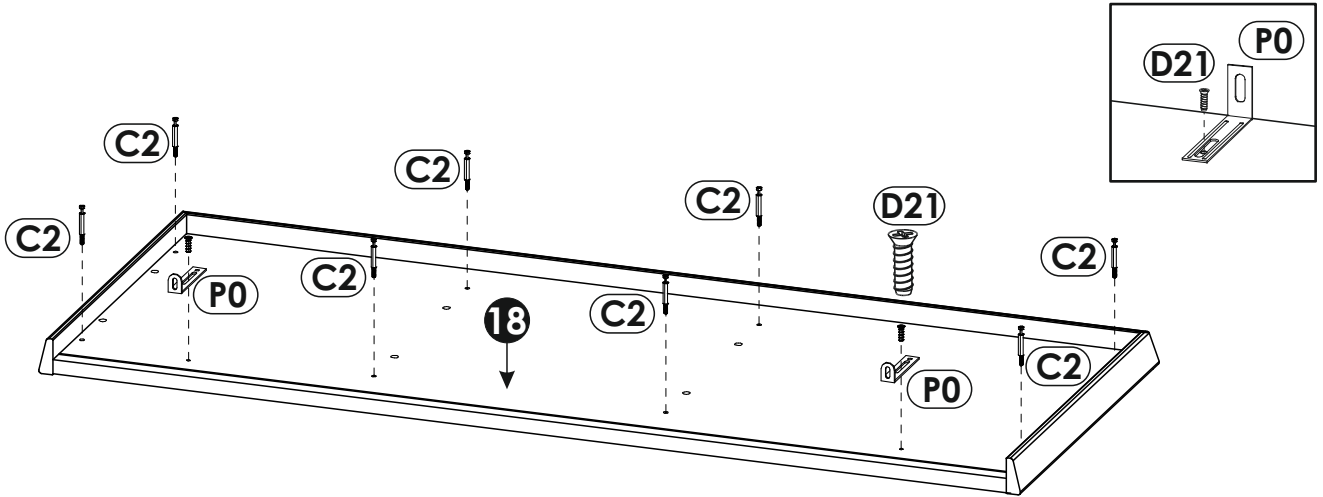


5 ▶

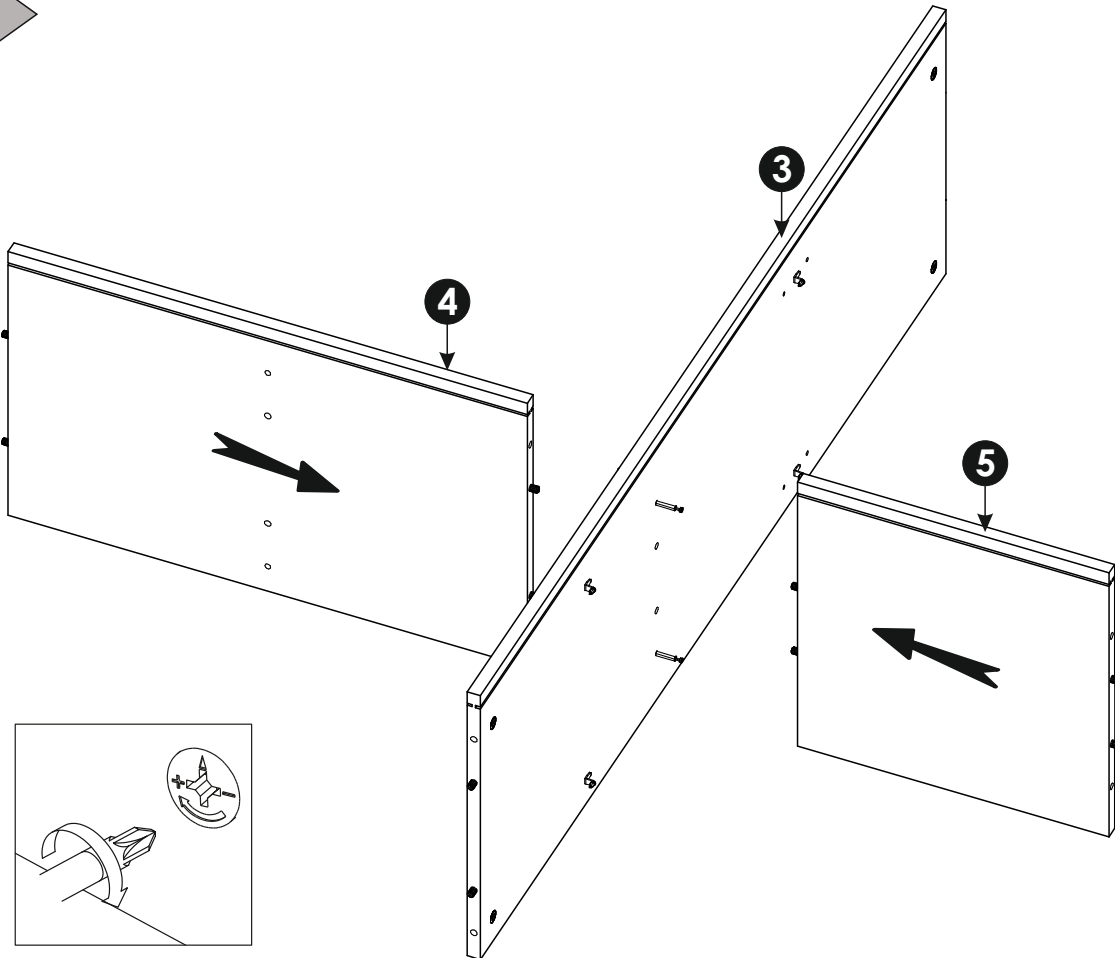


6 ▶


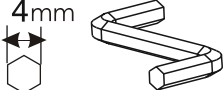
C2 	x8	D21 5 x 13 mm 	x2	P0 	x2
--	-----------	--	-----------	--	-----------

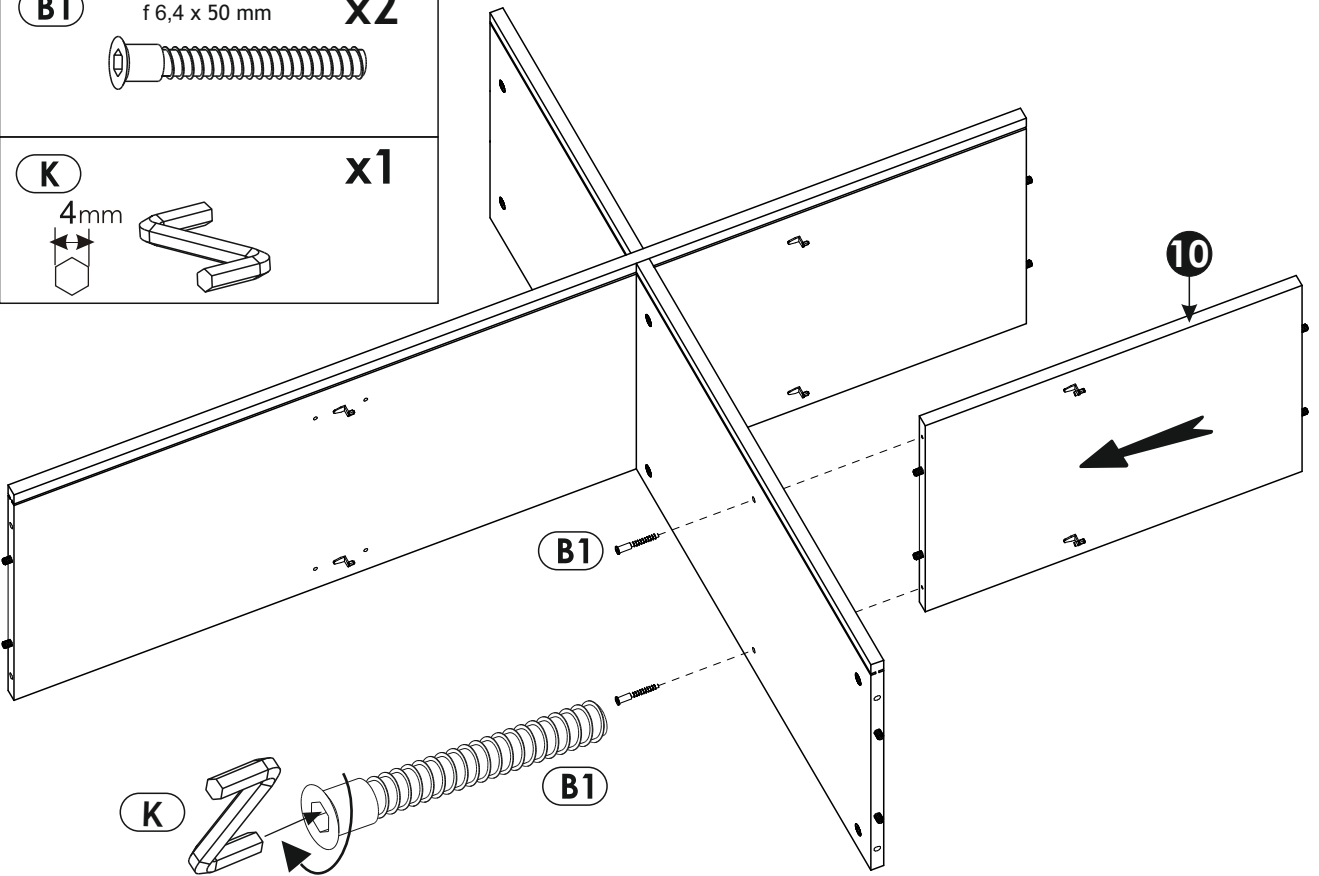


7 ▶

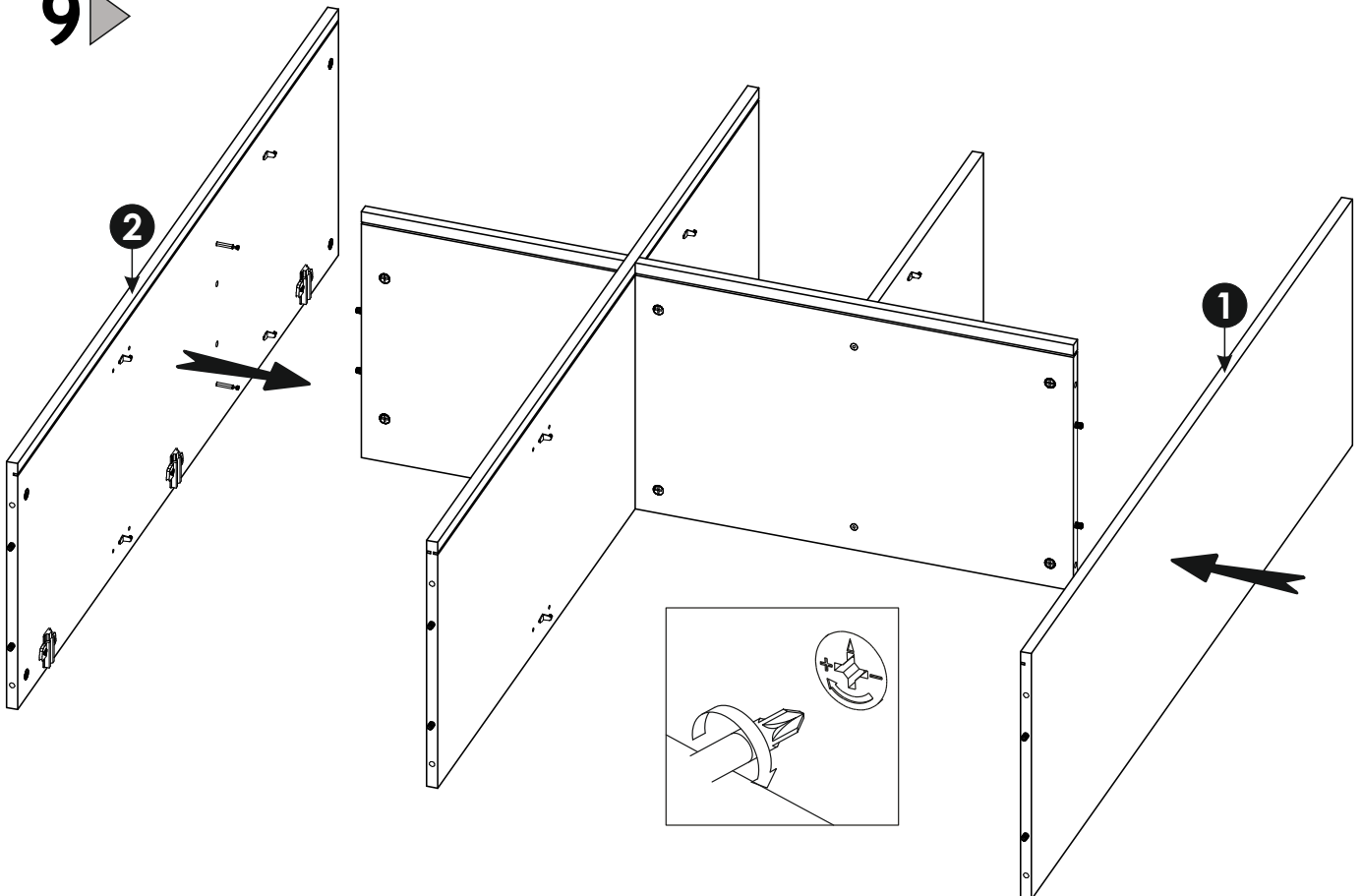


8 ▶

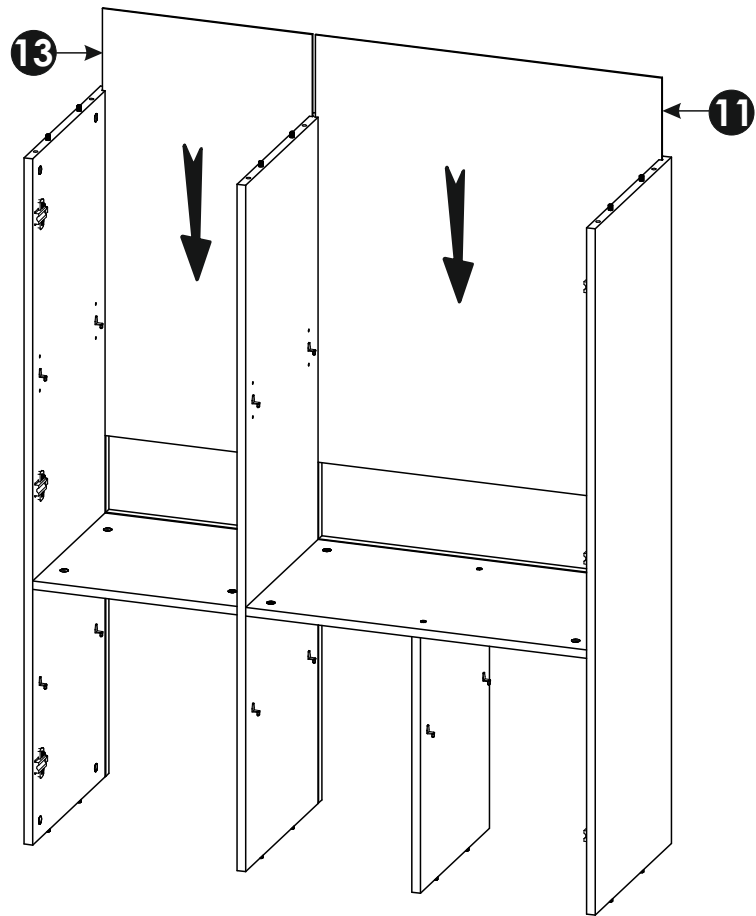
B1	f 6,4 x 50 mm	x2
		
K	4mm	x1
		



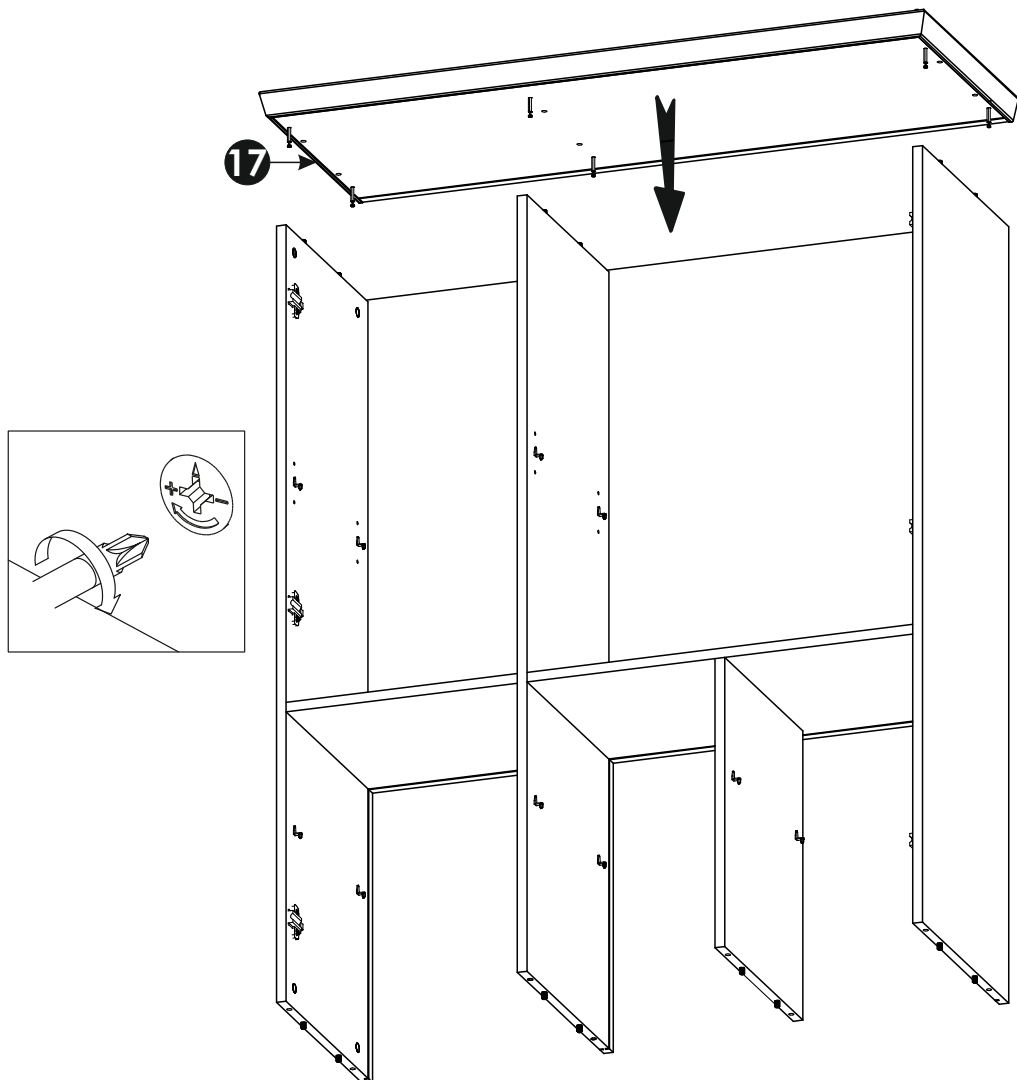
9 ▶





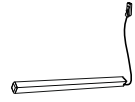

10 ▶

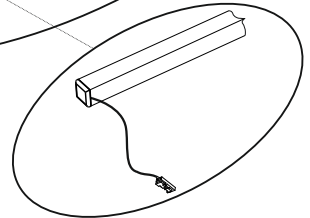
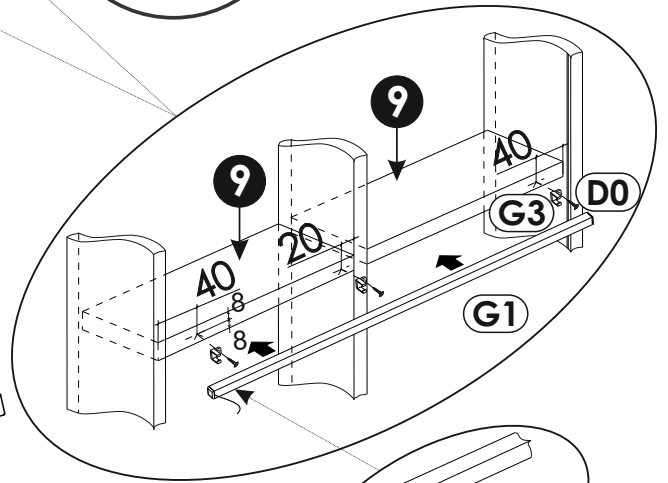
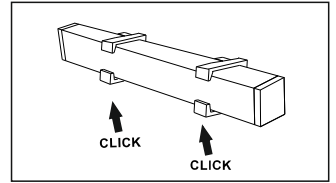
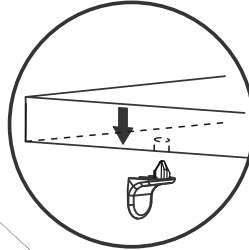
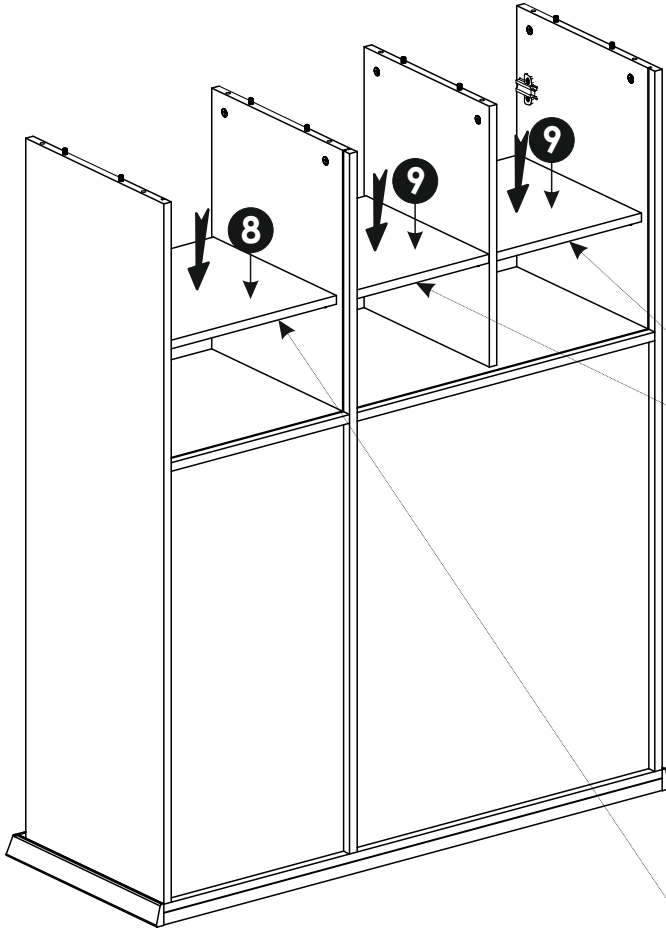


11 ▶

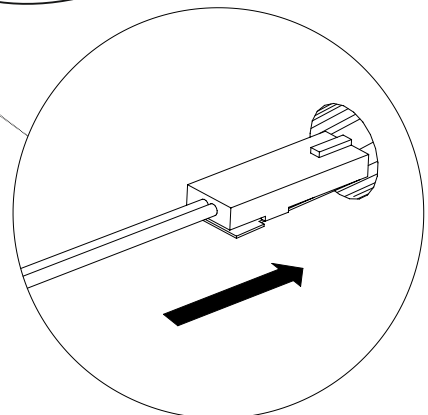
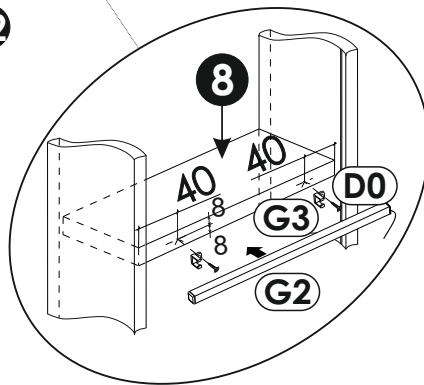
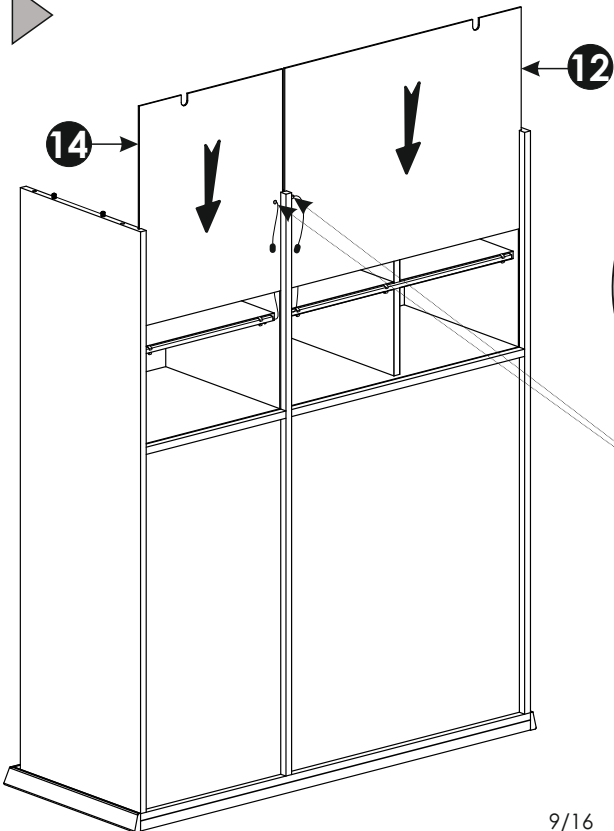


12 ▶

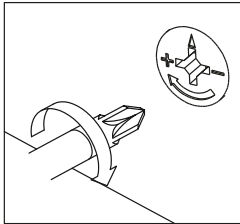
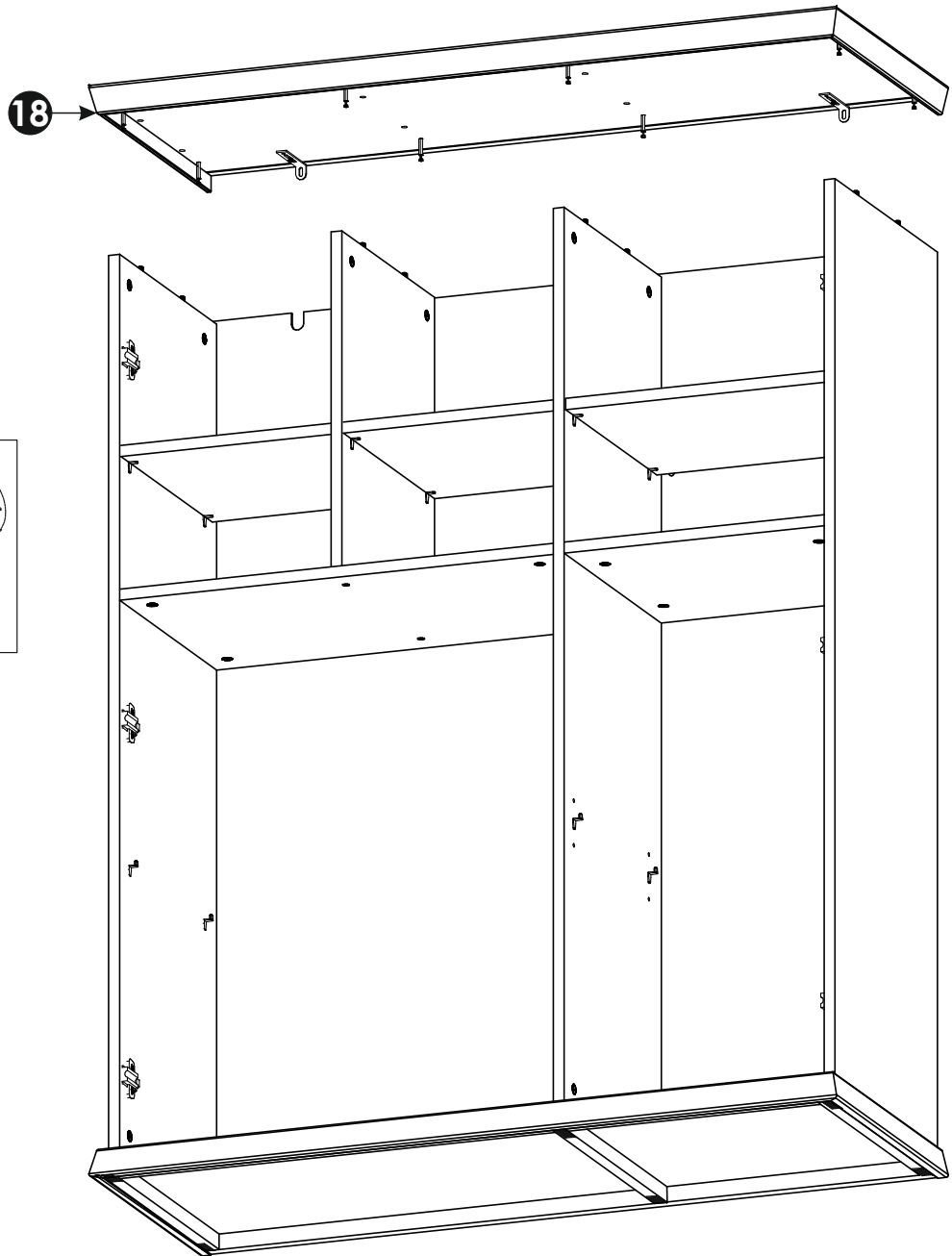
D0 3 x 15 mm  x5	G1  L=638 x1	G2  L=374 x1
		G3  x5



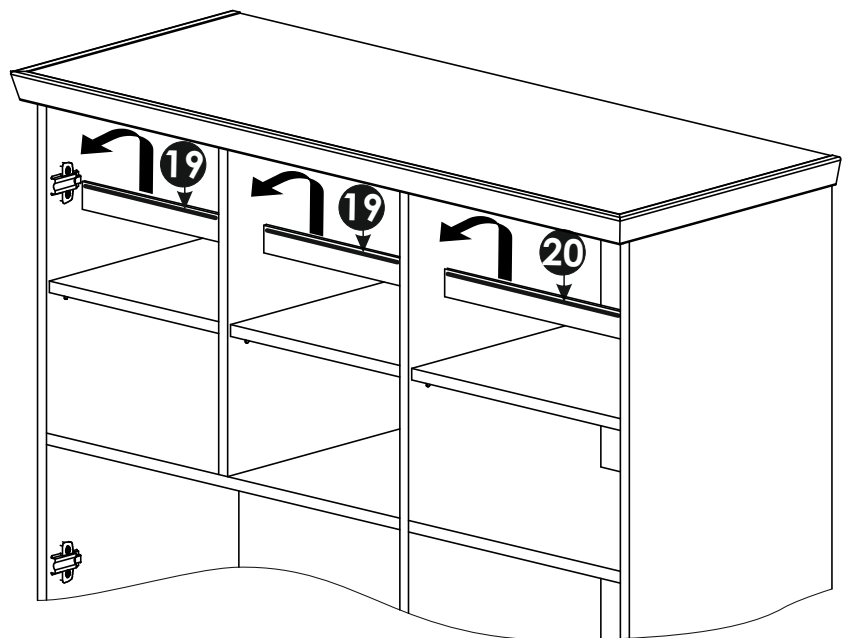
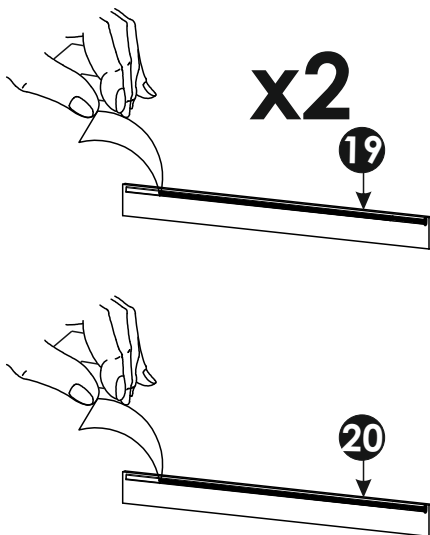
13 ▶





14 ▶

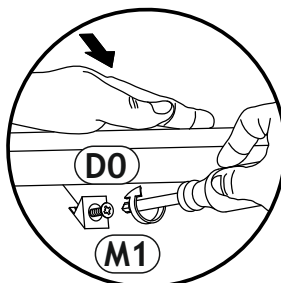
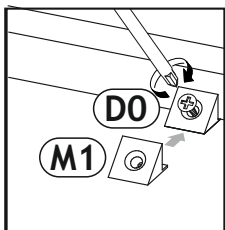
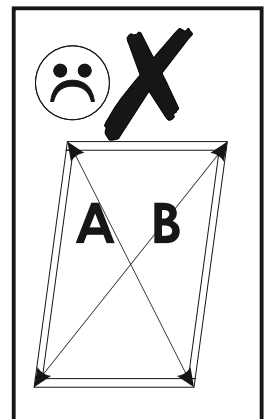
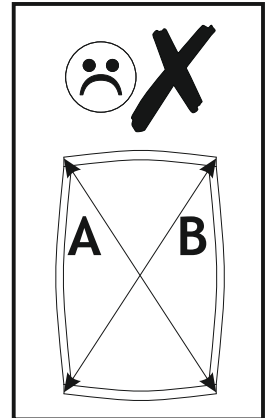
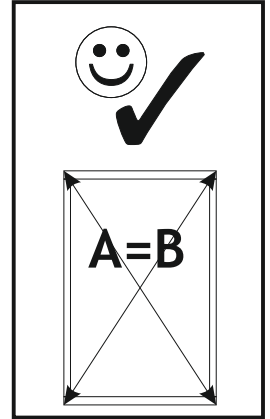
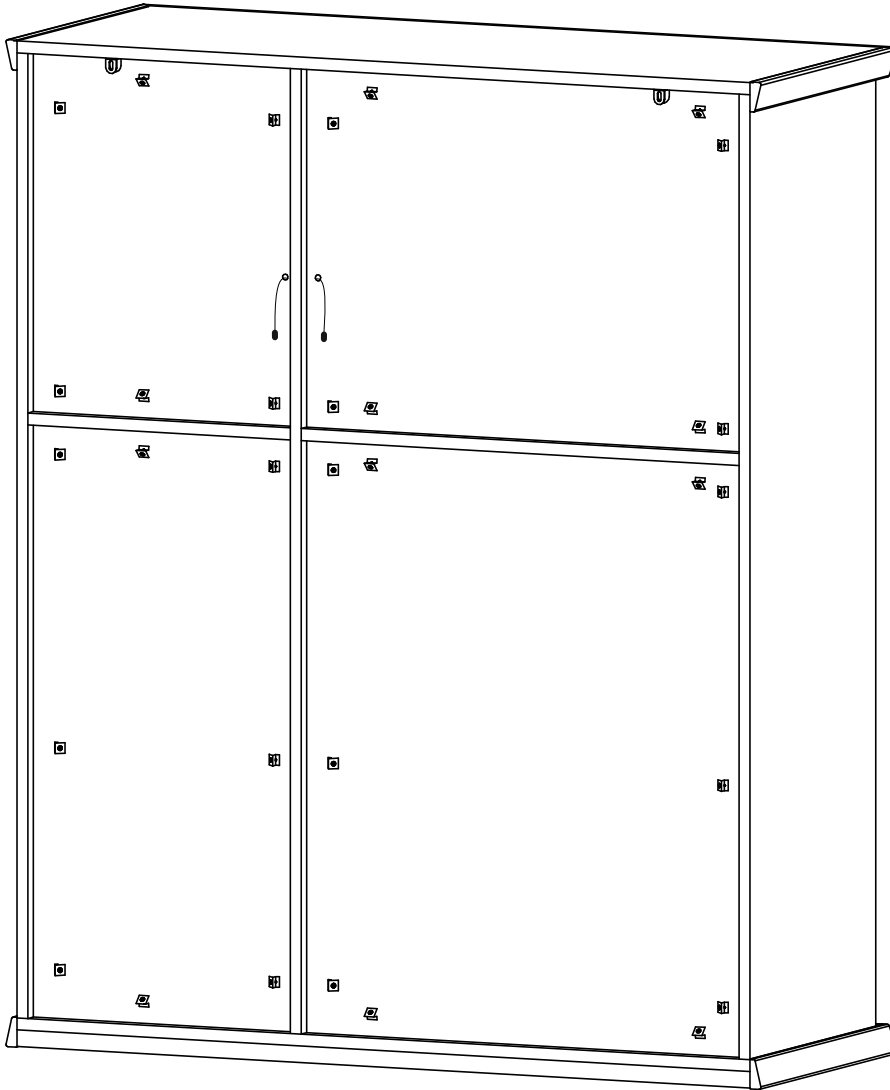


15 ▶

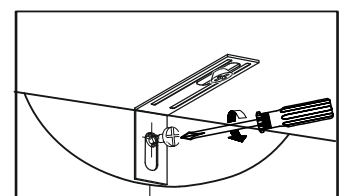
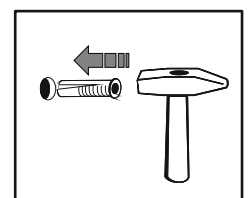
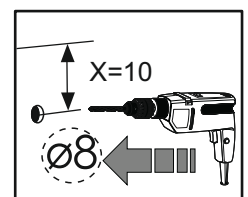
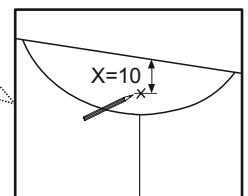
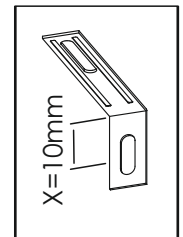
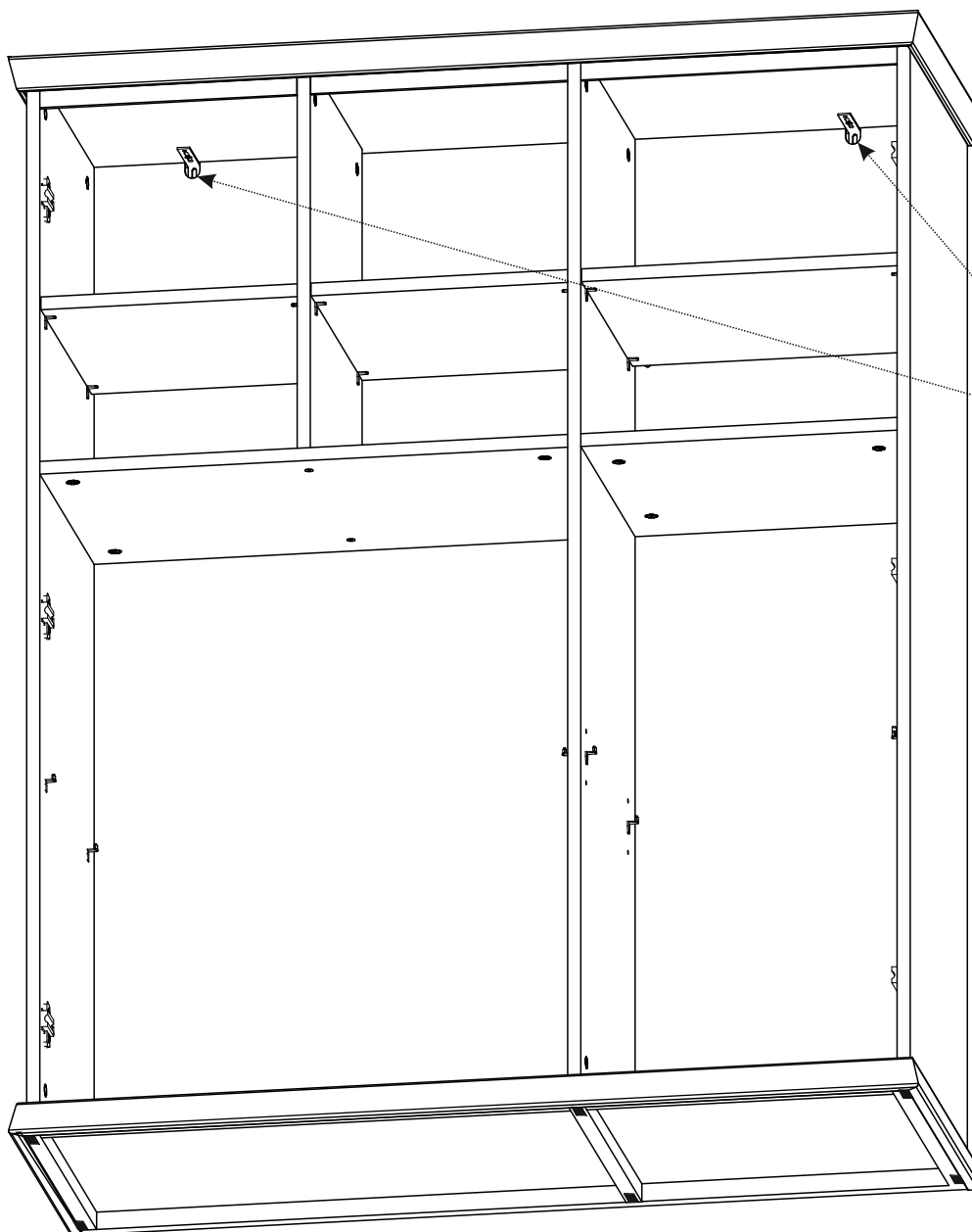
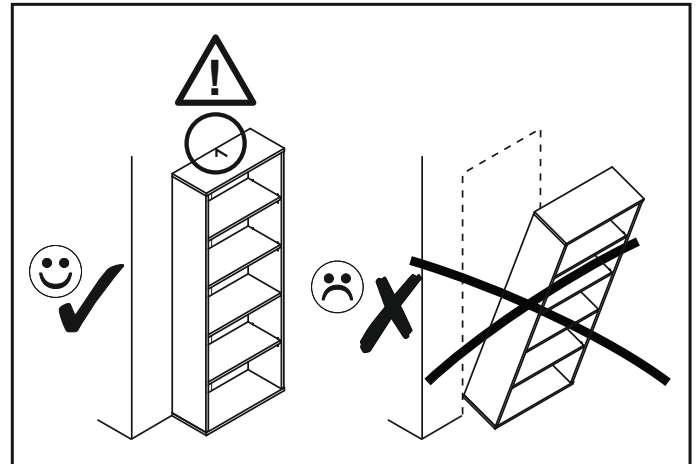
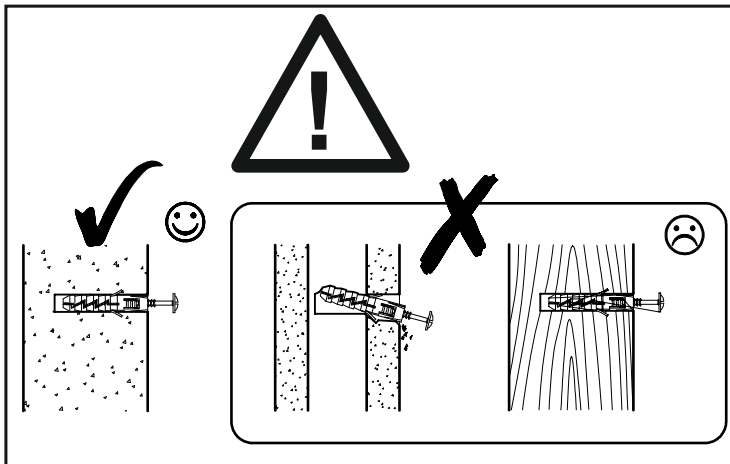
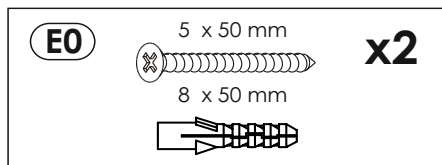


16 ▶

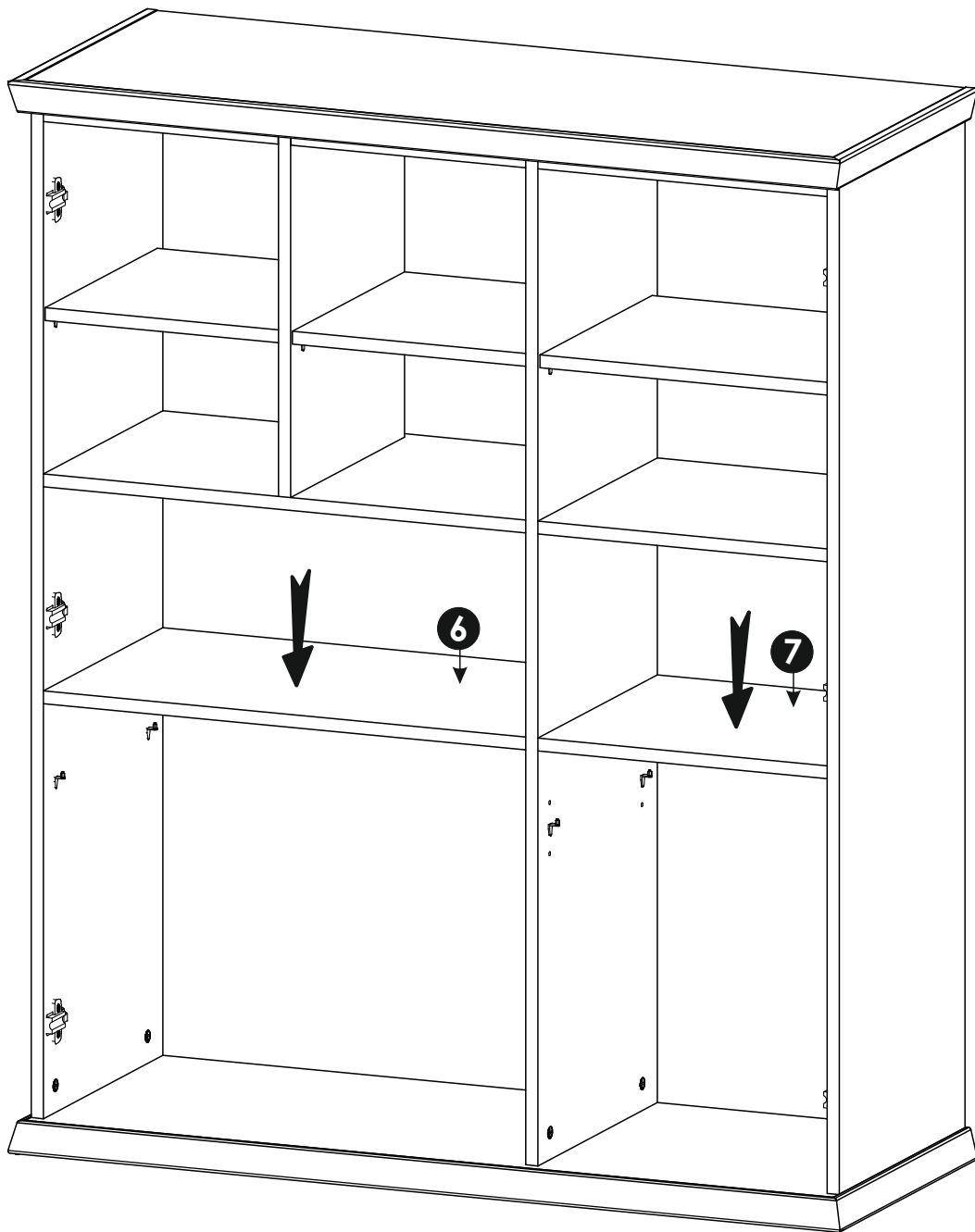
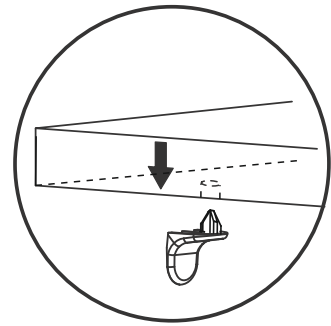
(D0) 3 x 15 mm 	x32	(M1) 	x32
---	------------	--	------------



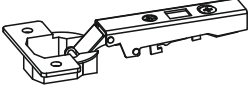

17

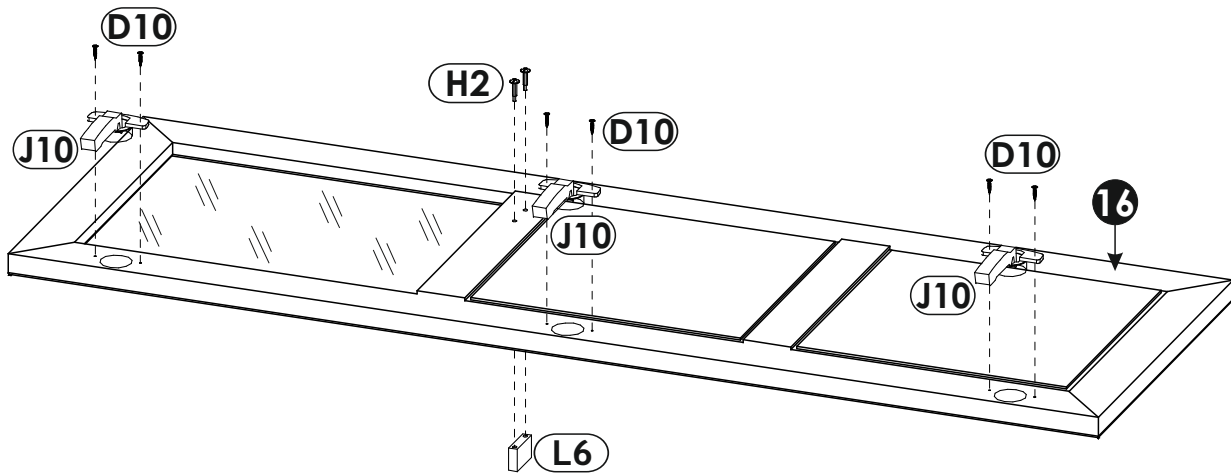
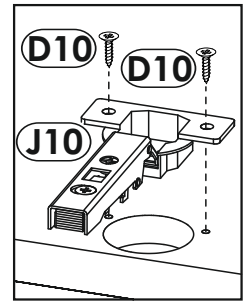


18 ▶

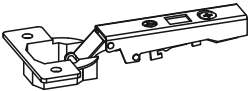



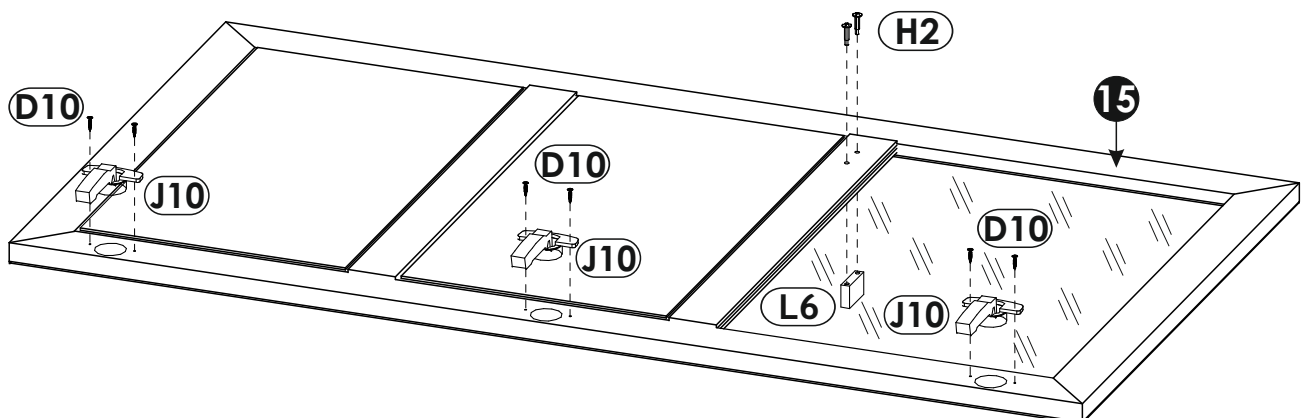
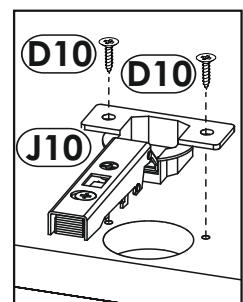
19 ▶

D10	4 x 16 mm	x6	J10		x3
H2	4 x 22 mm	x2	L6		x1

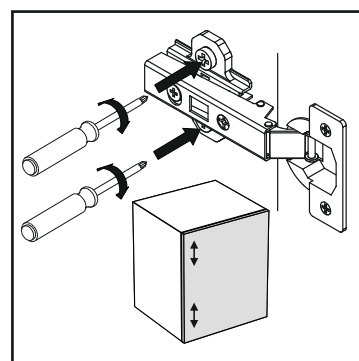
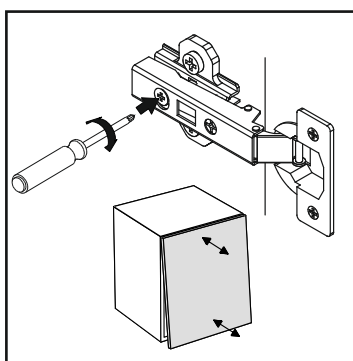
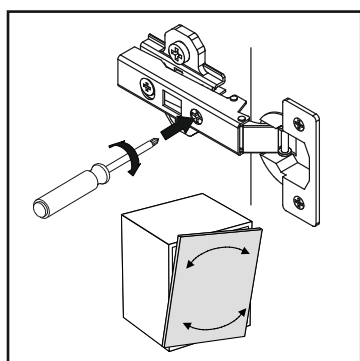
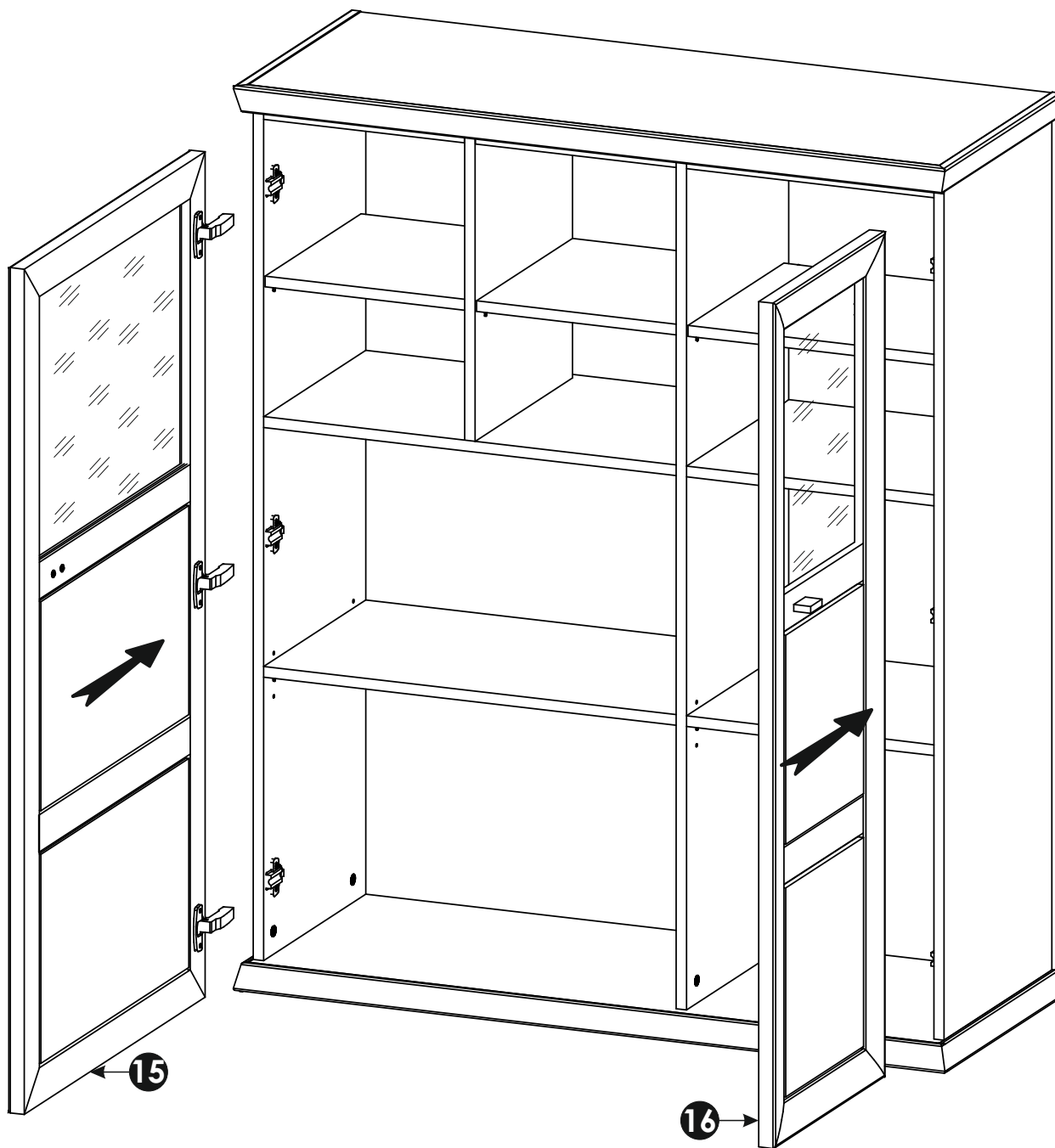
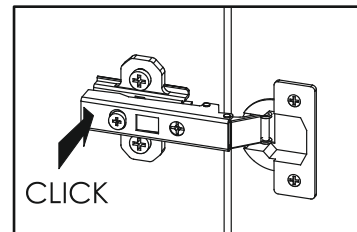
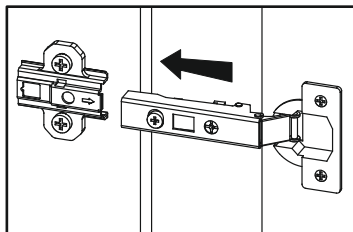


20 ▶

D10	4 x 16 mm	x6	J10		x3
H2	4 x 22 mm	x2	L6		x1



21 ▶



22 ▶

