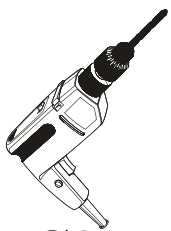
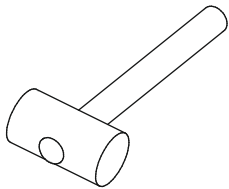
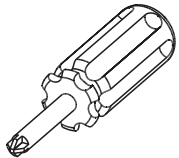
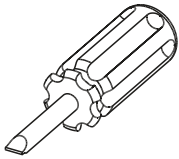
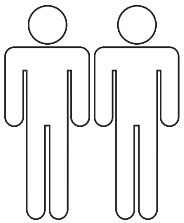
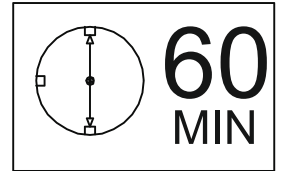
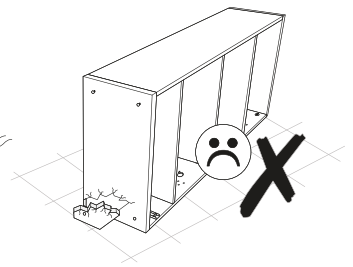
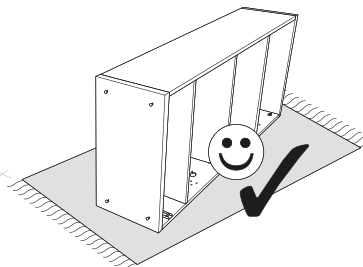
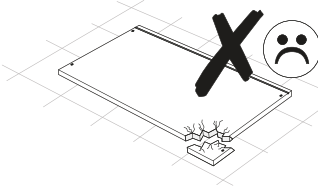
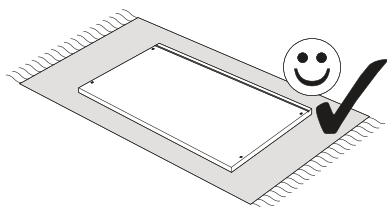
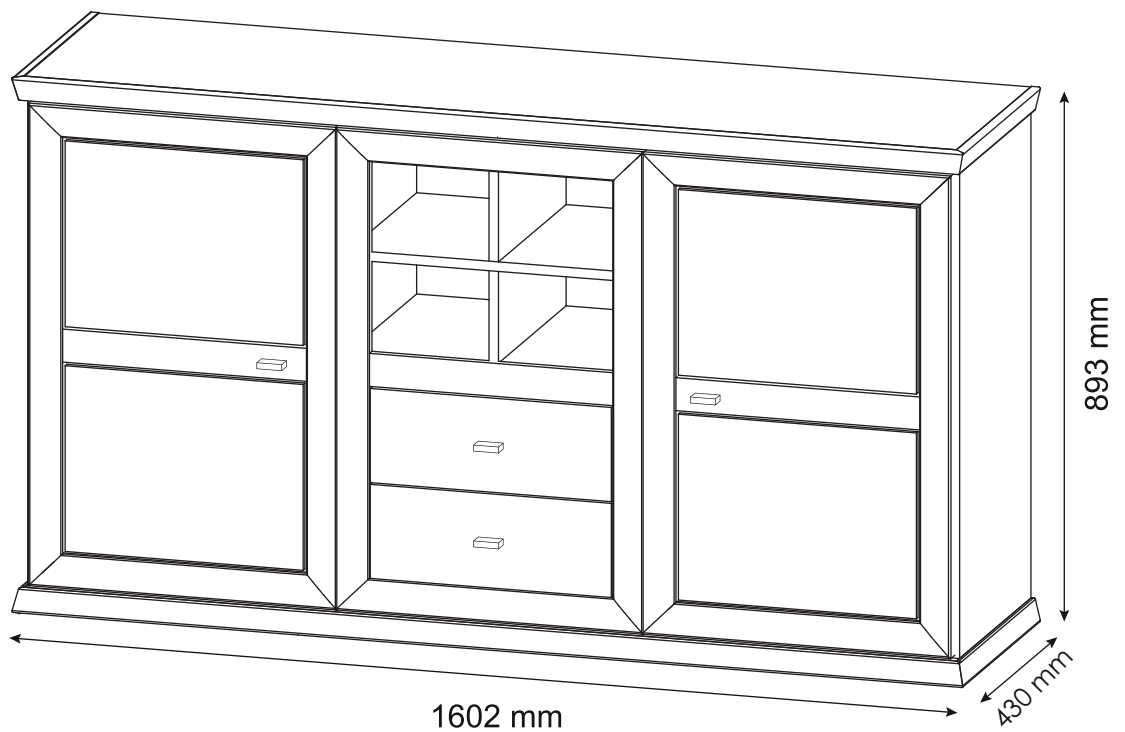
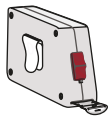

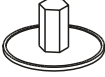





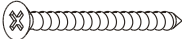

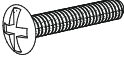
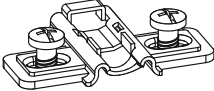
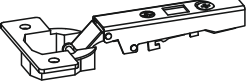


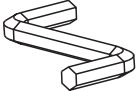
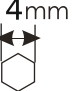
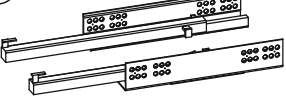
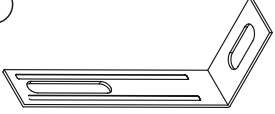
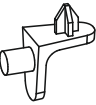



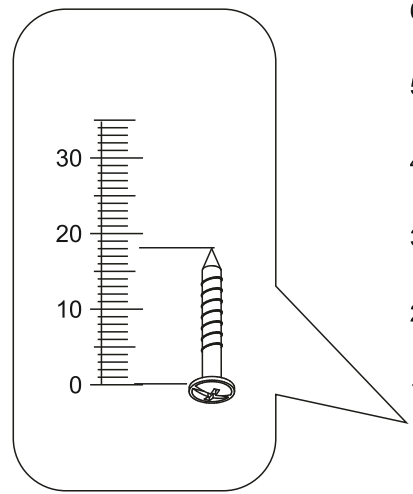
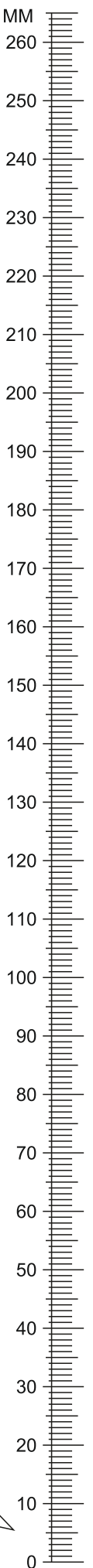
SIDEBOARD CAMRON / LAUREY



Ø8

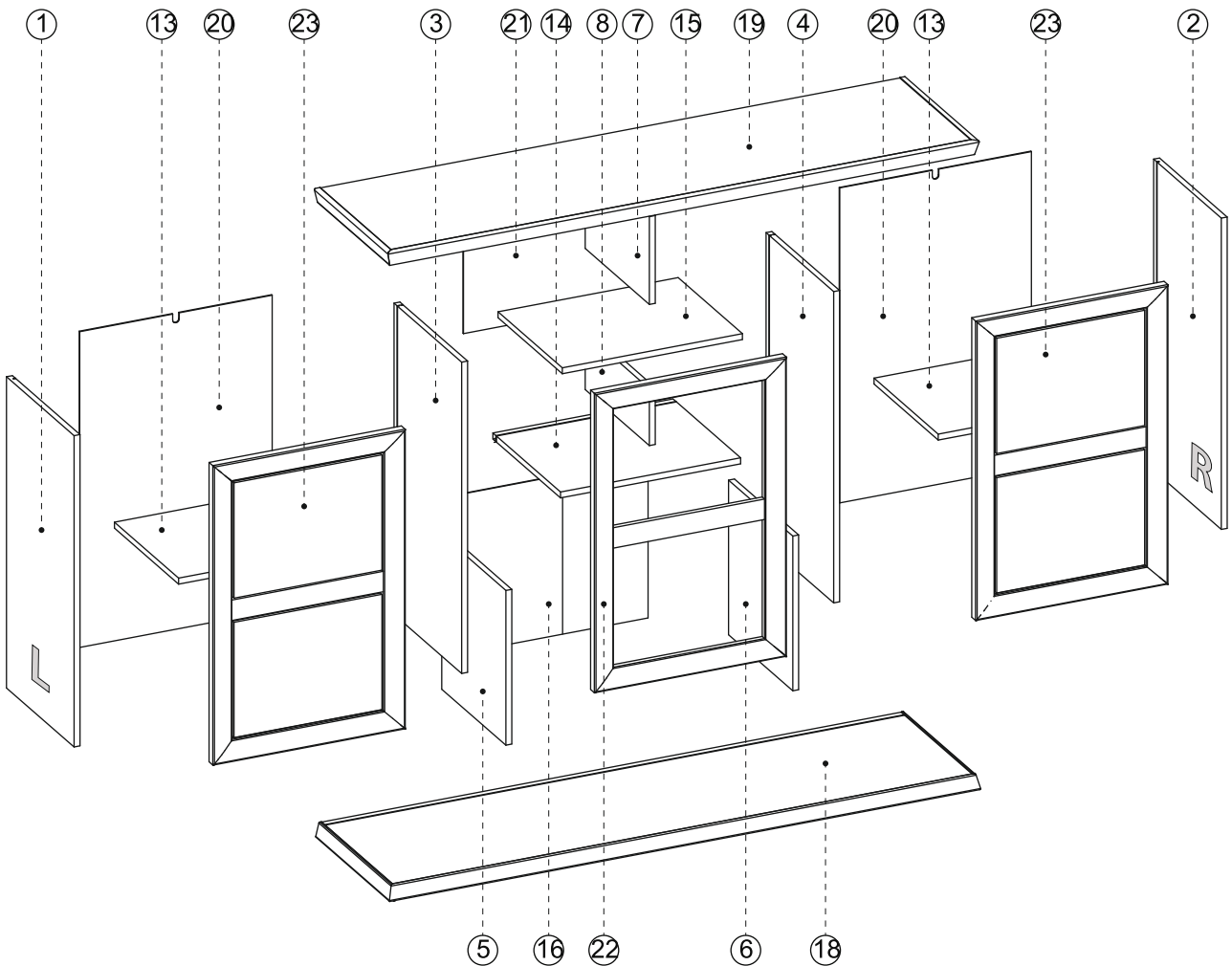
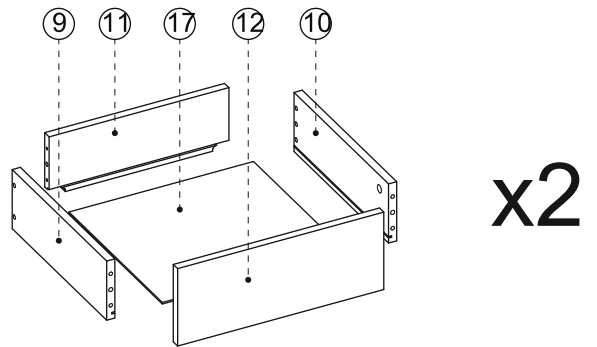
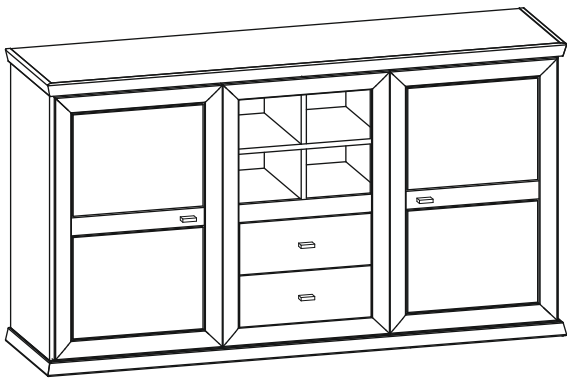


(B1)  7 x 50 mm x16	(C0)  x30	(C2)  x42
(D0)  3 x 15 mm x44	(D10)  4 x 16 mm x8	(D21)  5 x 13 mm x2
(D31)  6,3 x 13 mm x16	(E0)  5 x 50 mm  8 x 50 mm x2	(H2)  4 x 22 mm x8
(J3)  x4	(J10)  x4	(L6)  x4
(M1)  x44	(K)   x1	(N14)  L-350mm x2
(P0)  x2	(Q3)  x8	(U2)  x8

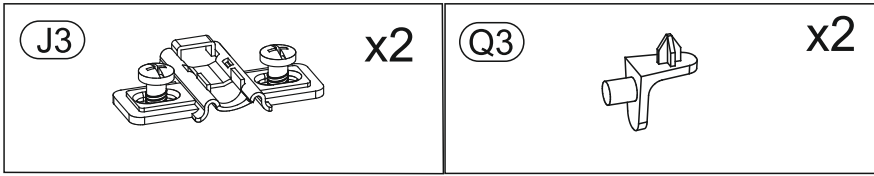


①	837	x	393	x	16	1	1/3
②	837	x	393	x	16	1	1/3
③	837	x	393	x	16	1	1/3
④	837	x	393	x	16	1	1/3
⑤	416	x	373	x	16	1	1/3
⑥	416	x	373	x	16	1	1/3
⑦	236	x	371	x	16	1	2/3
⑧	153	x	371	x	16	1	2/3
⑨	350	x	120	x	16	2	1/3
⑩	350	x	120	x	16	2	1/3
⑪	354	x	120	x	16	2	1/3
⑫	406	x	157	x	16	2	2/3

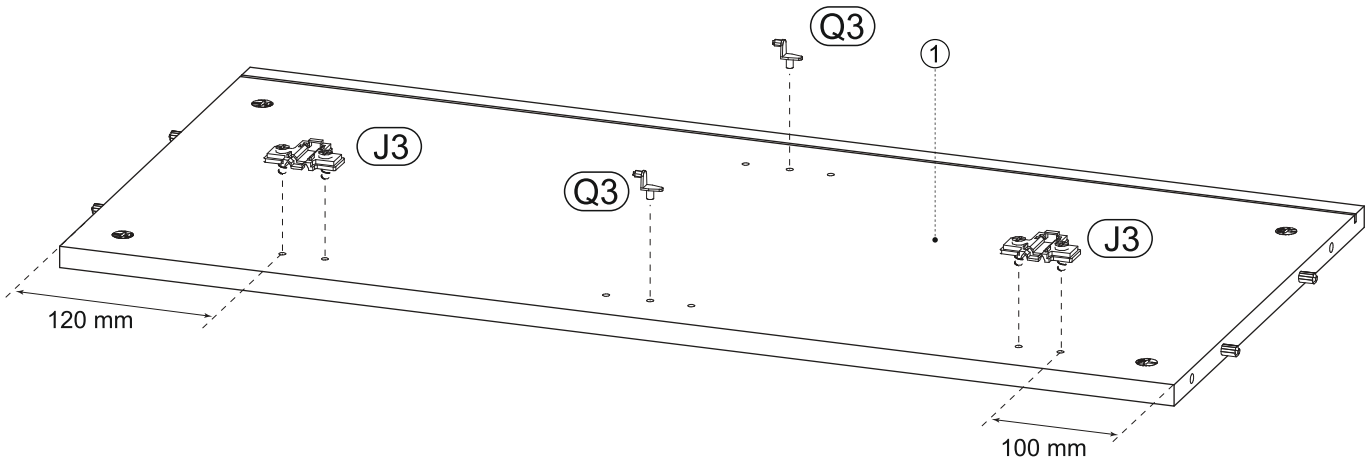
⑬	509	x	373	x	16	2	1/3
⑭	488	x	393	x	16	1	1/3
⑮	488	x	373	x	16	1	1/3
⑯	496	x	425	x	2,8	1	1/3
⑰	364	x	344	x	2,8	2	1/3
⑱	1602	x	428	x	40	1	2/3
⑲	1602	x	428	x	40	1	2/3
⑳	518	x	847	x	2,8	2	3/3
㉑	497	x	414	x	2,8	1	3/3
㉒	805	x	520	x	25	1	3/3
㉓	805	x	521	x	25	2	3/3



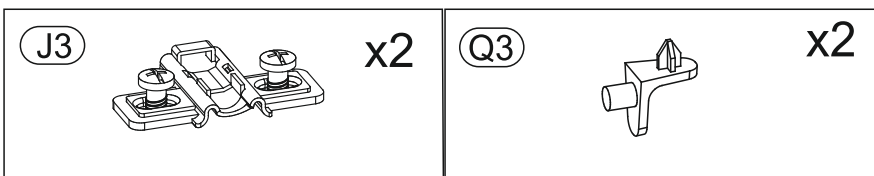
1 ▶



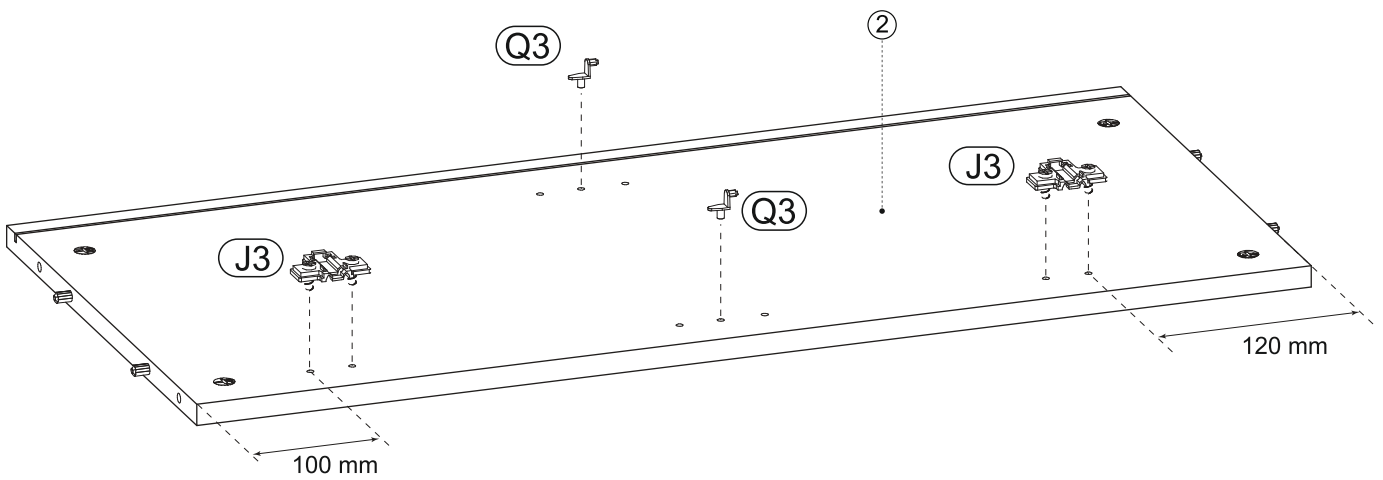
L



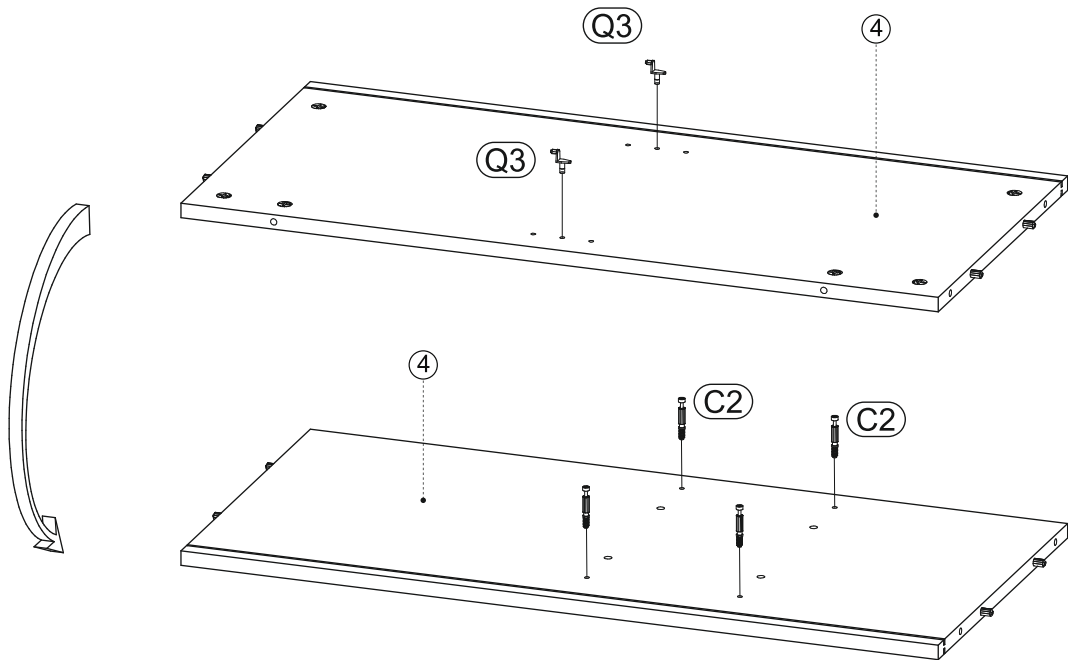
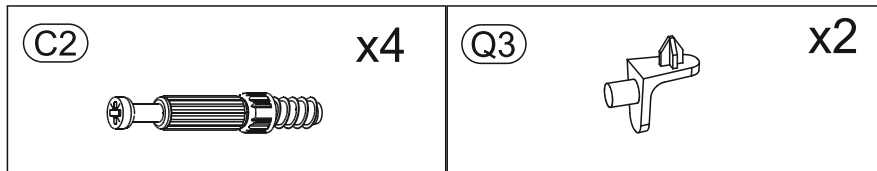
2 ▶



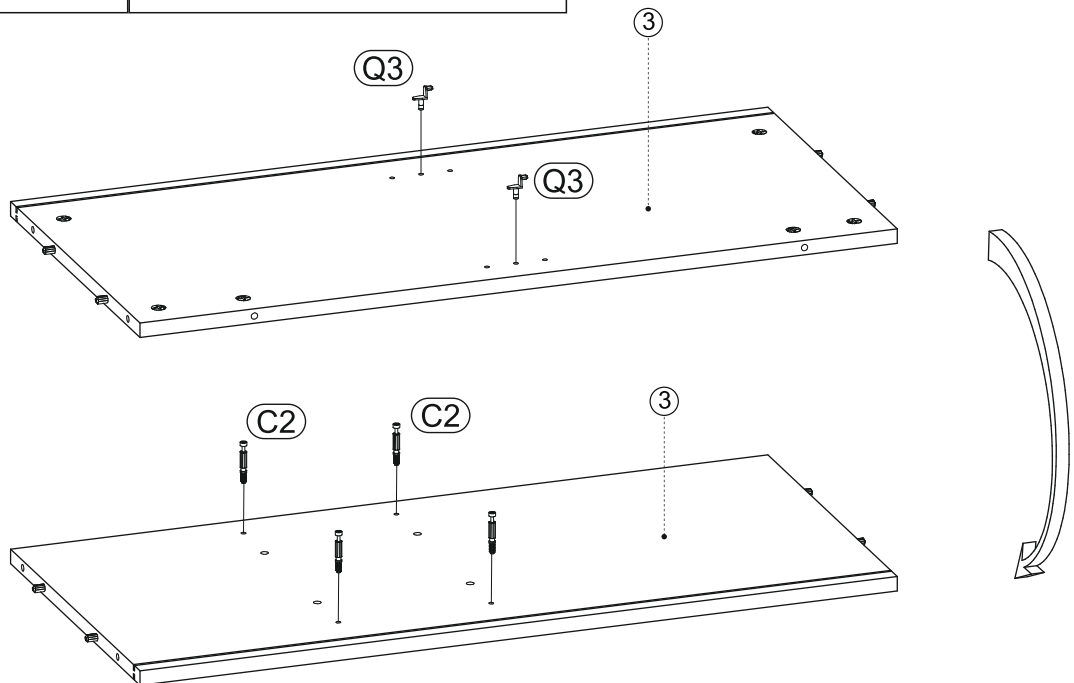
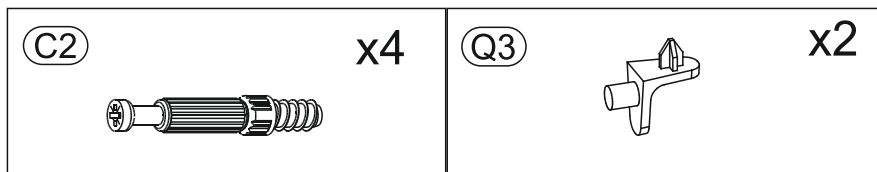
R



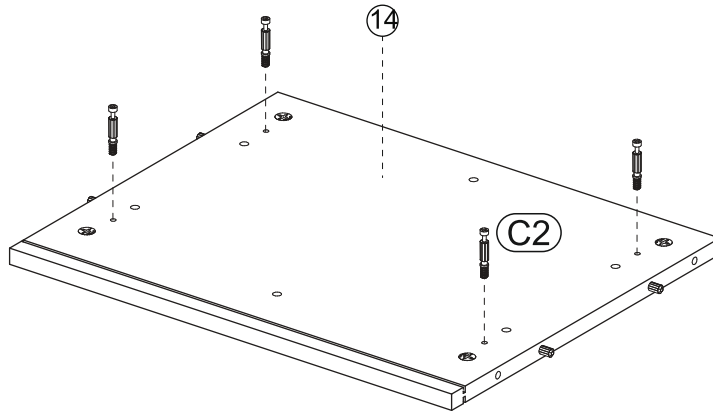
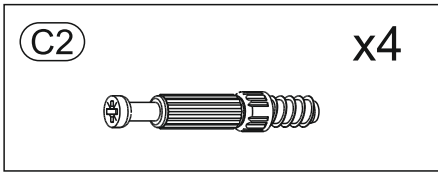
3 ▶



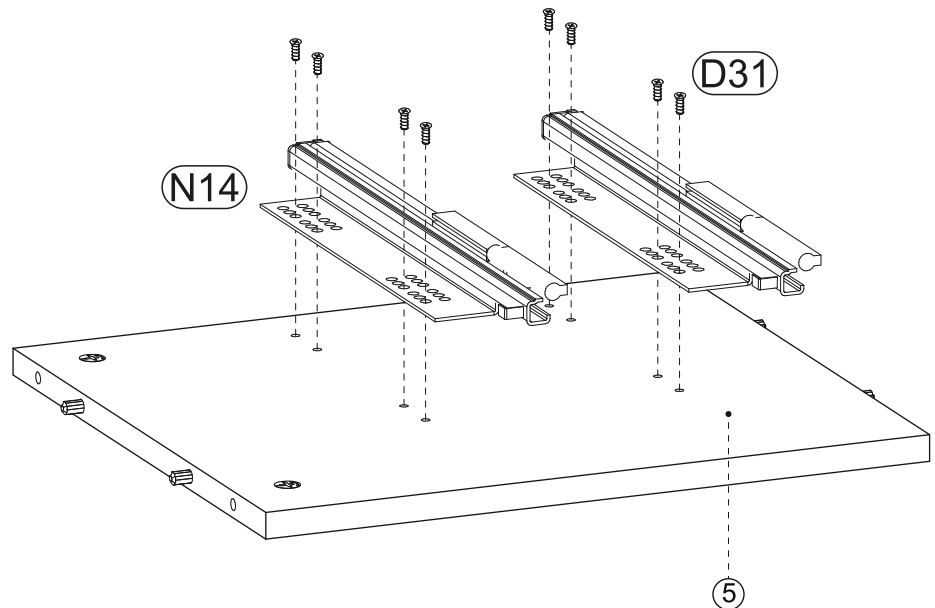
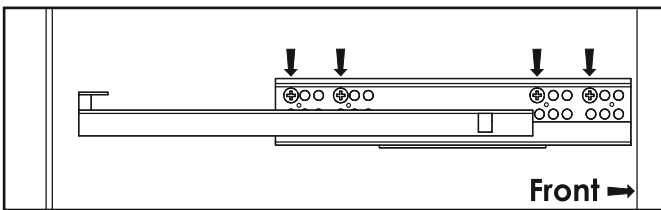
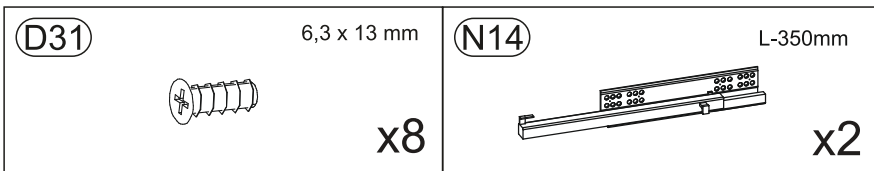
4 ▶



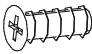
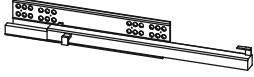
5 ▶

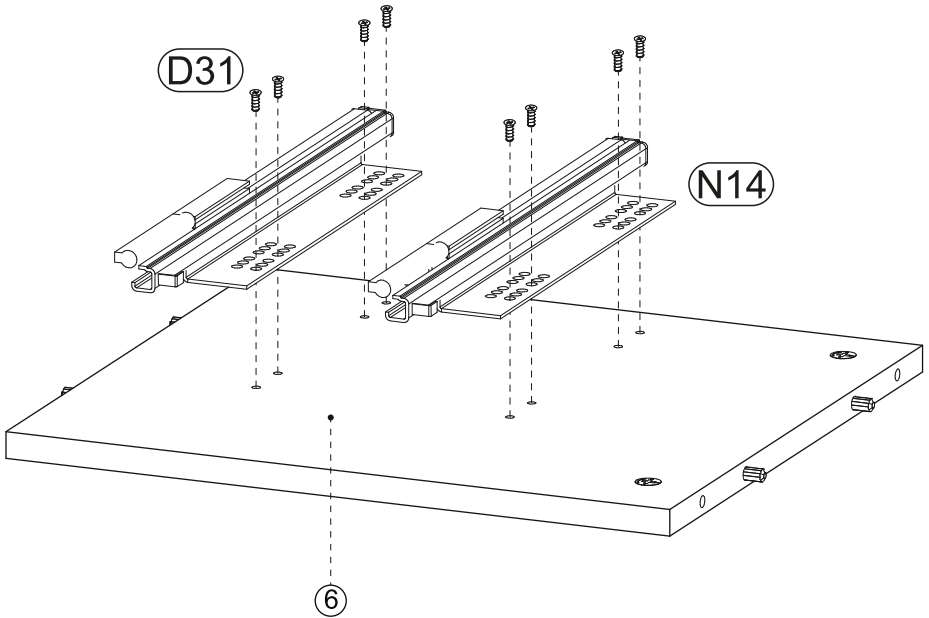
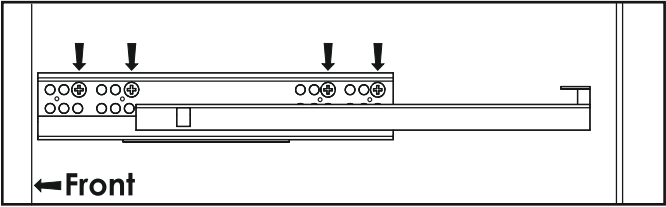


6 ▶


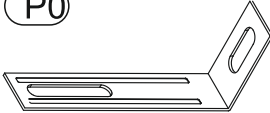


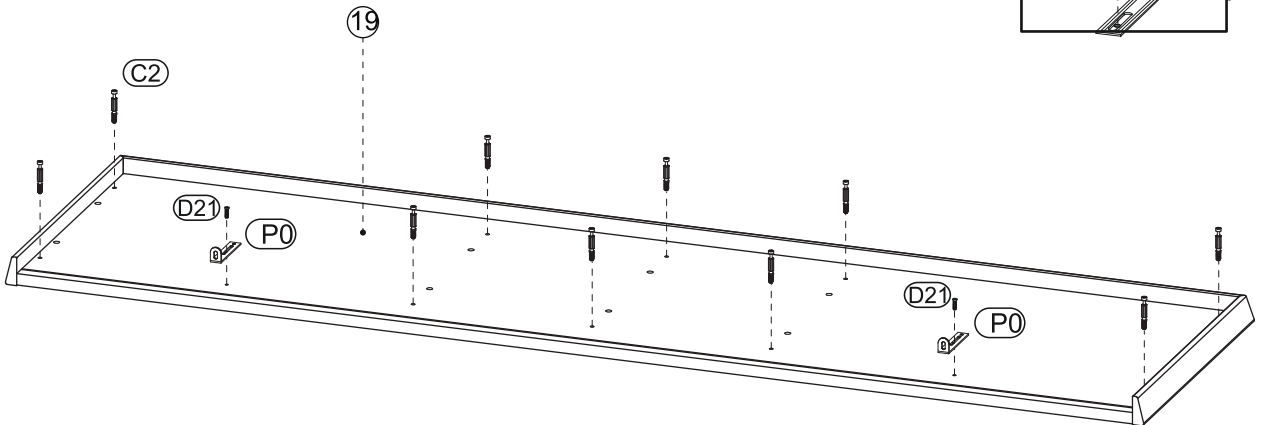
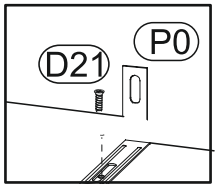
7 ▶

<p>(D31) 6,3 x 13 mm</p>  <p>x8</p>	<p>(N14) L-350mm</p>  <p>x2</p>
--	--

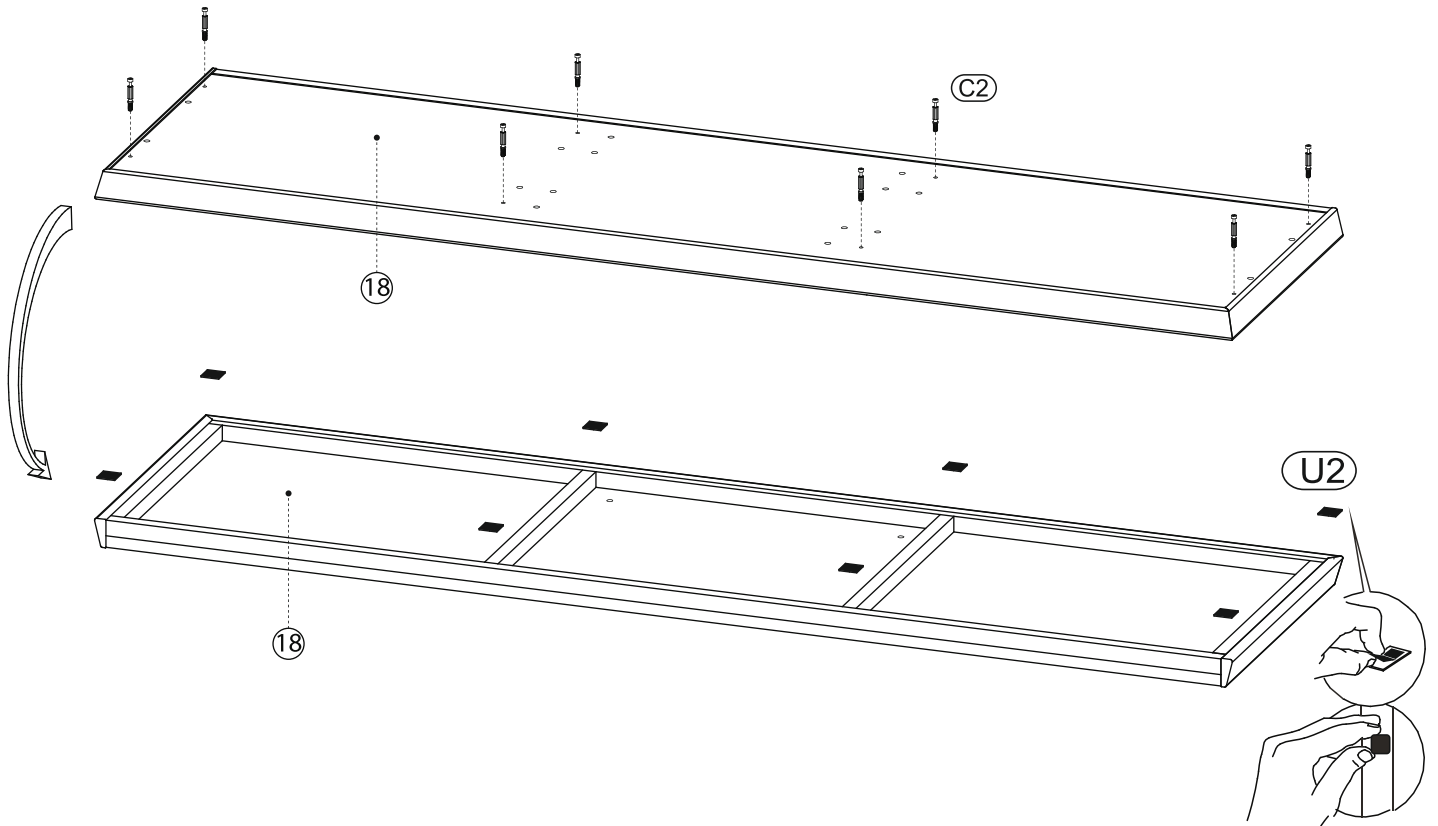
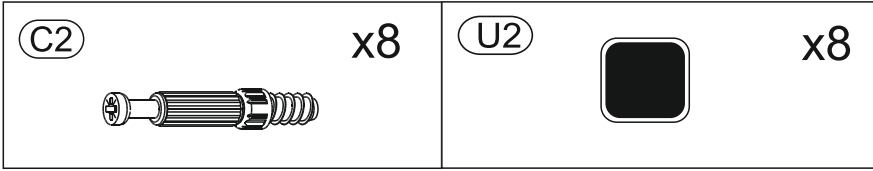


8 ▶

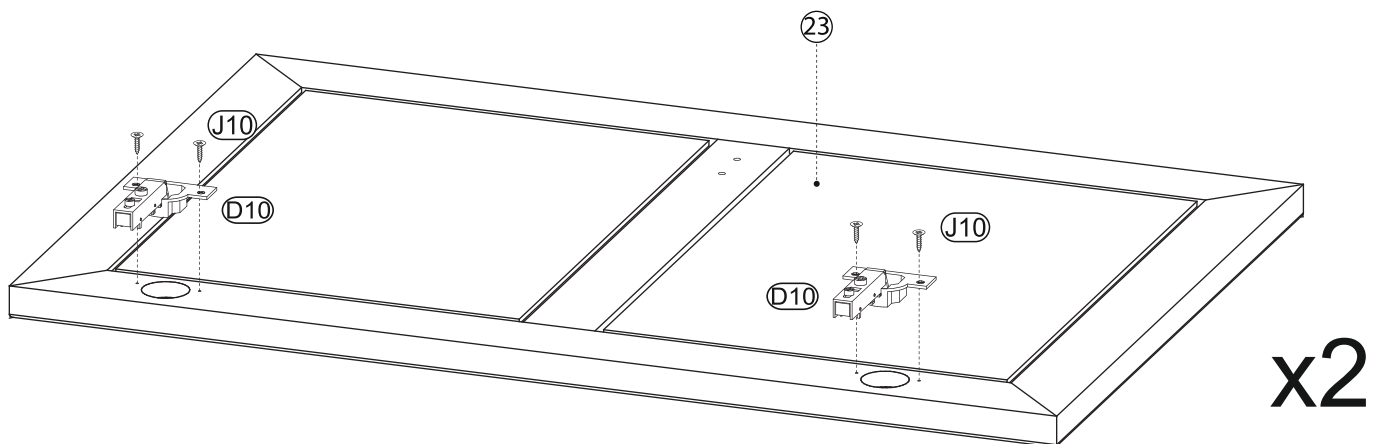
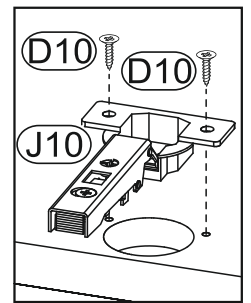
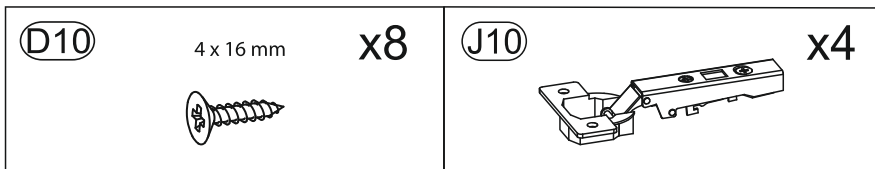
<p>(C2) x10</p> 	<p>(D21) 5 x 13 mm x2</p> 	<p>(P0) x2</p> 
--	--	---



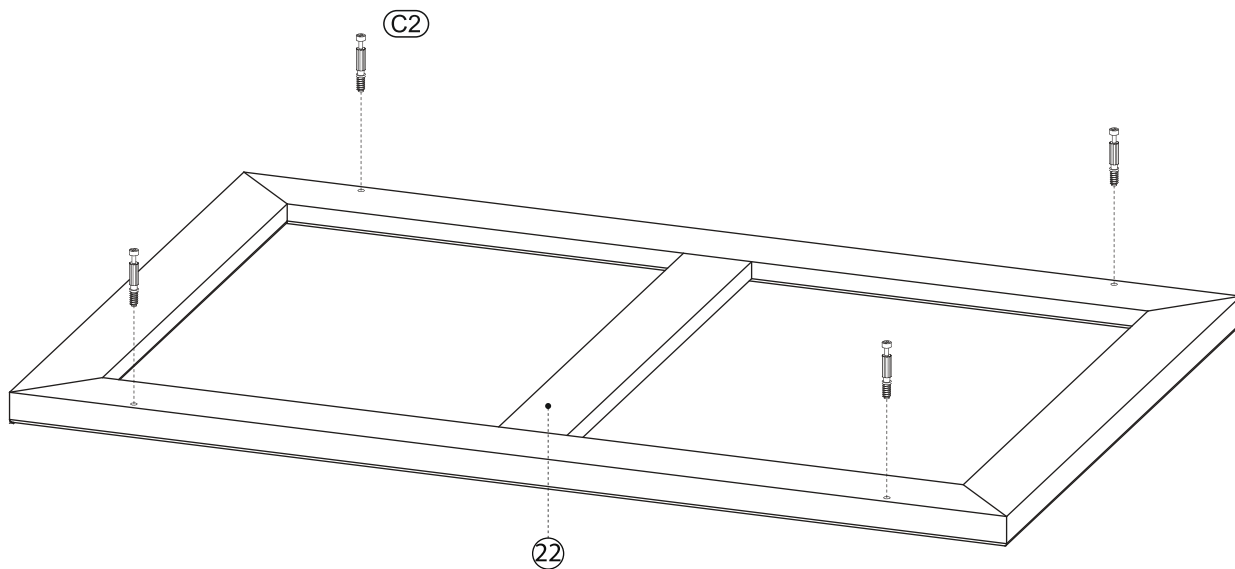
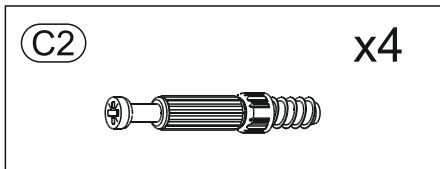
9 ▶



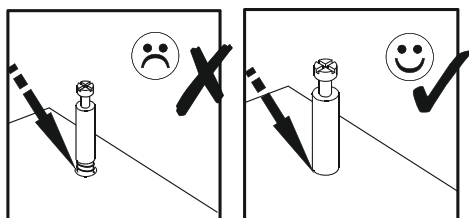
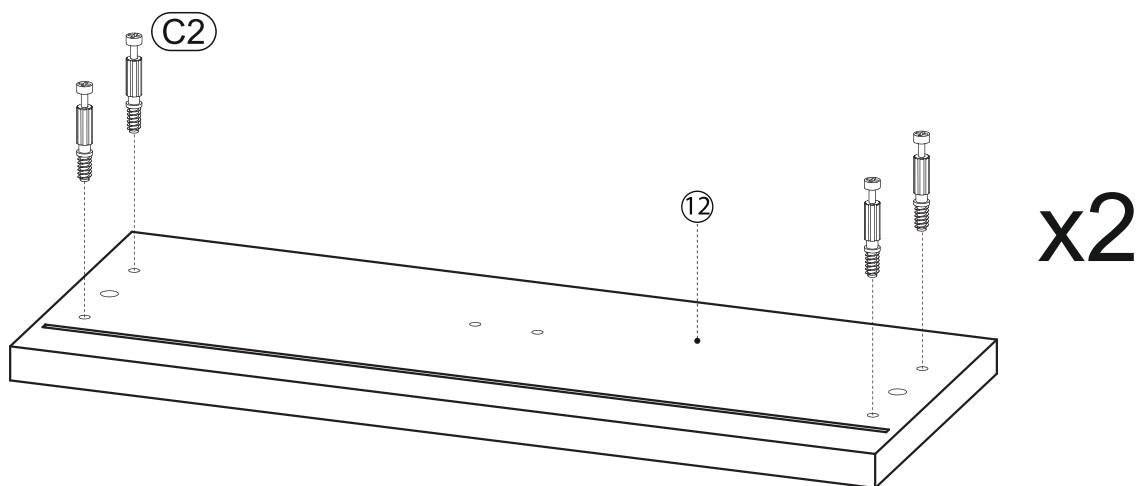
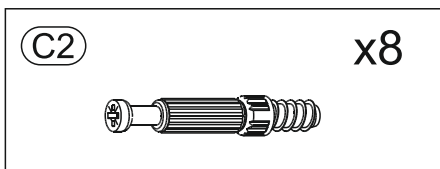
10 ▶



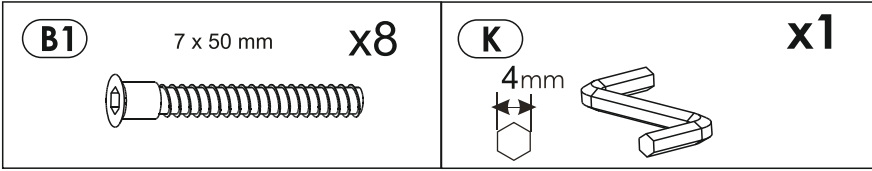
11 ▶



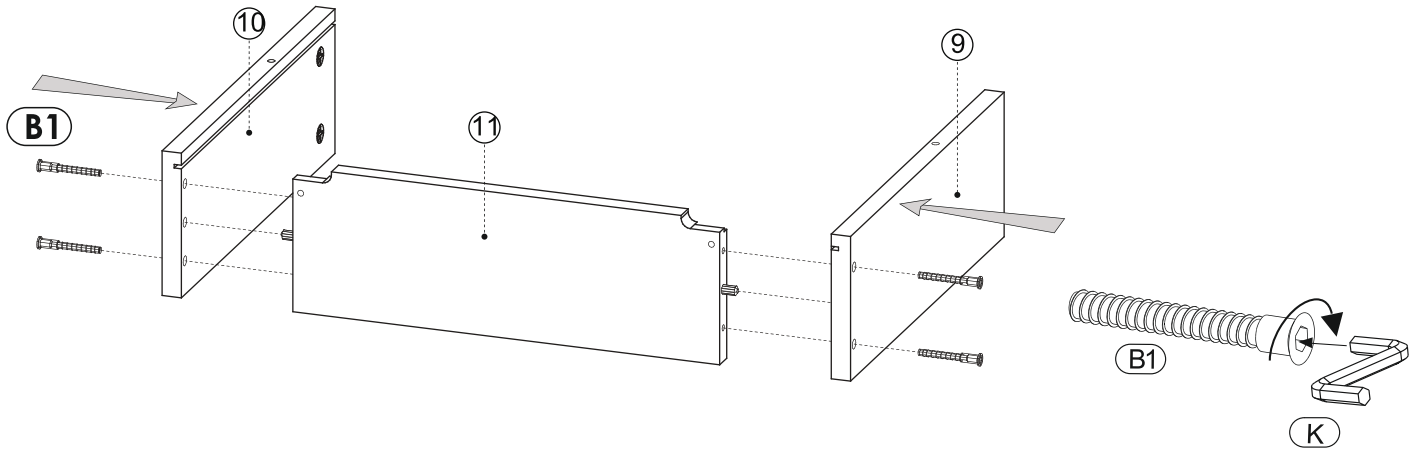
12 ▶



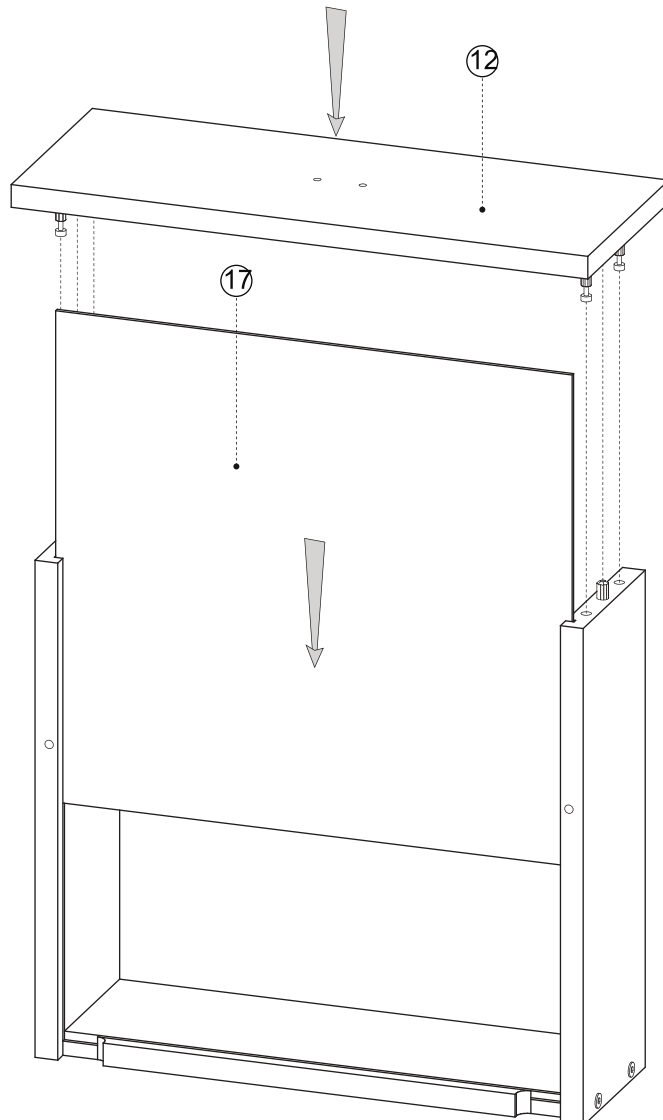
13 ▶



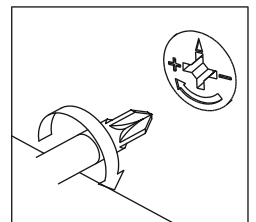
x2



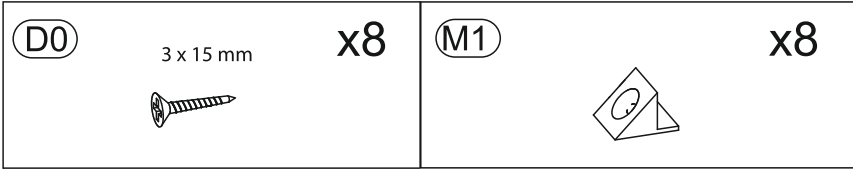
14 ▶



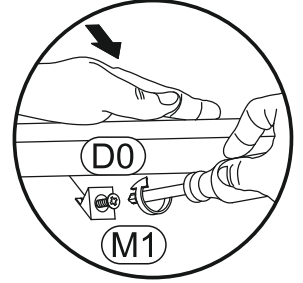
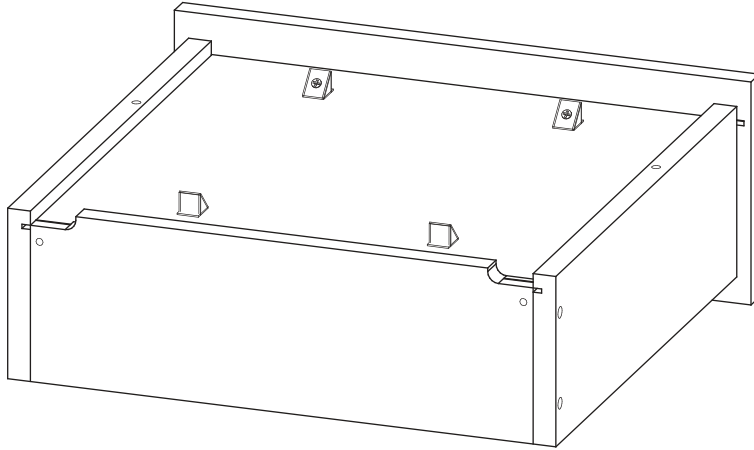
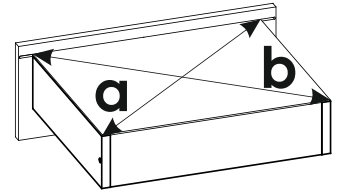
x2



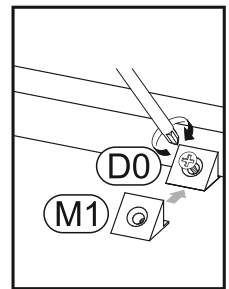
15▶



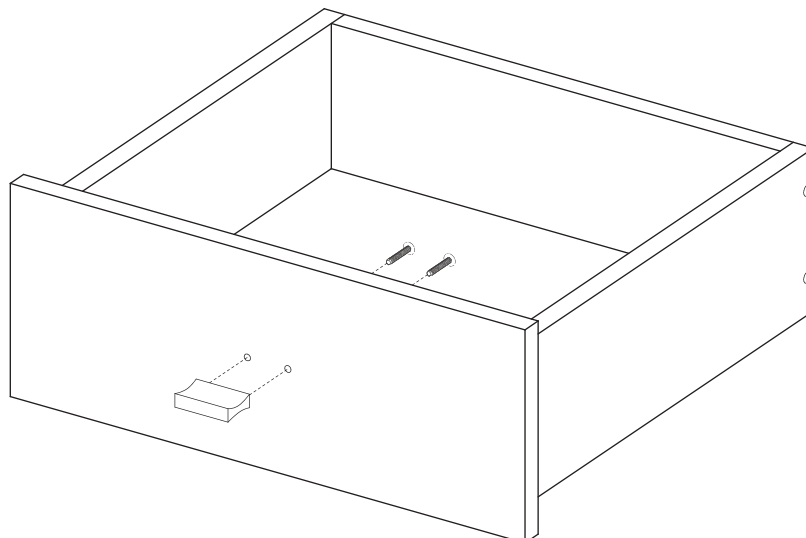
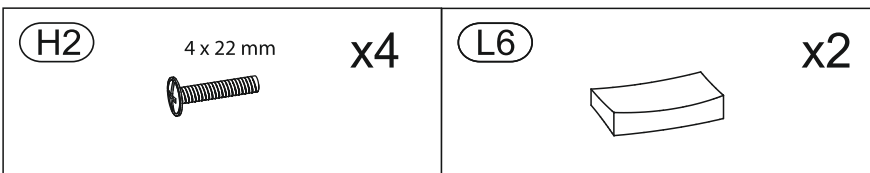
a=b



x2

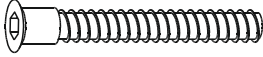
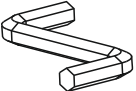


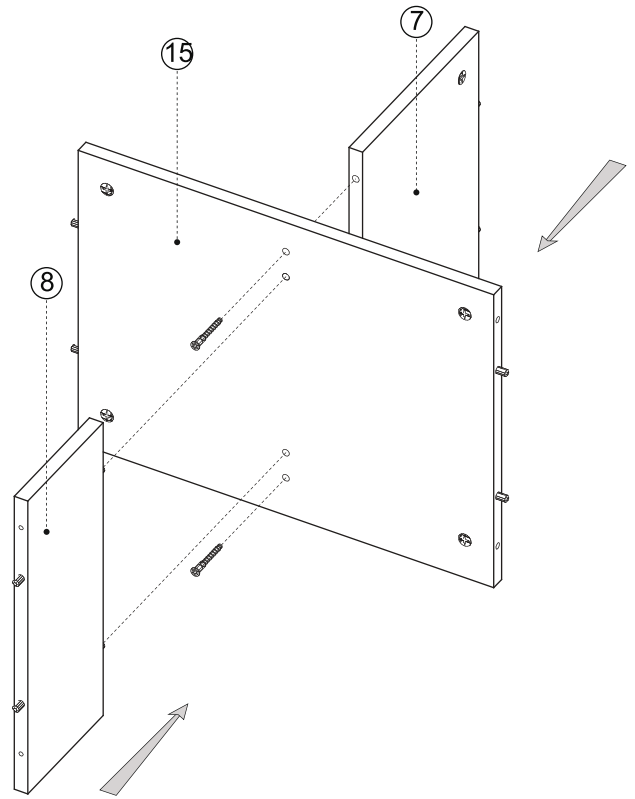
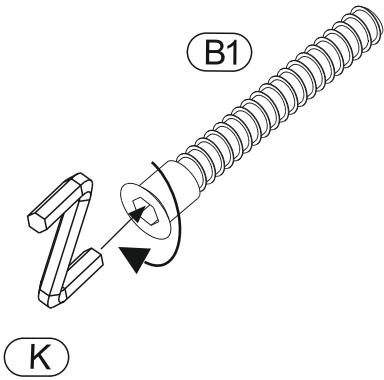
16▶




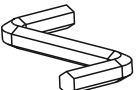
x2

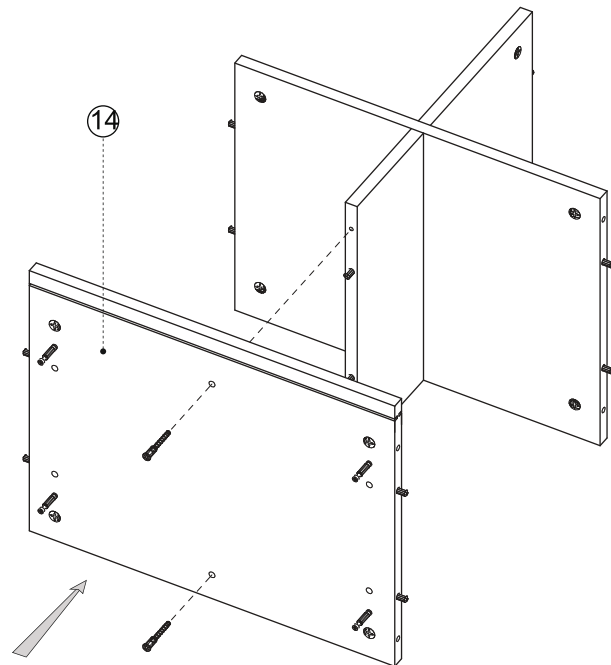
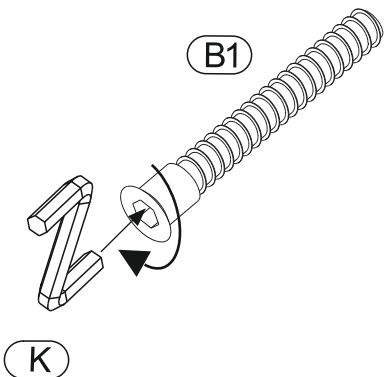
17 ▶

B1	7 x 50 mm	x2
		
K	4mm	x1
		

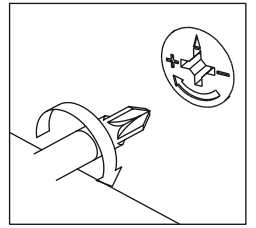
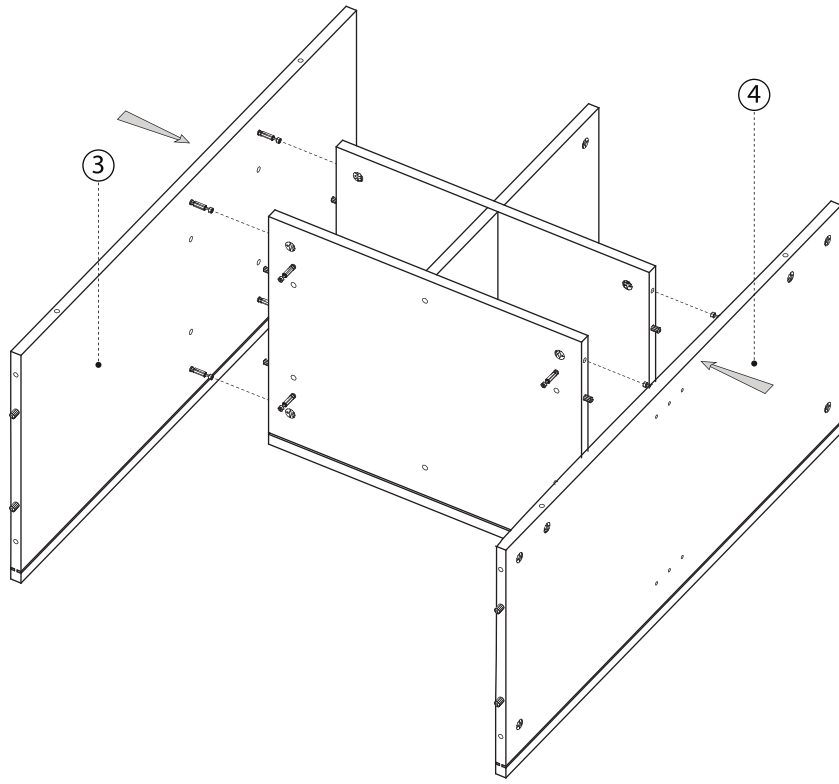


18 ▶

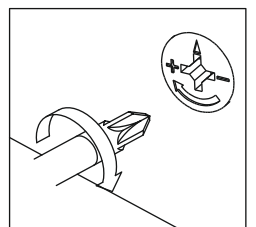
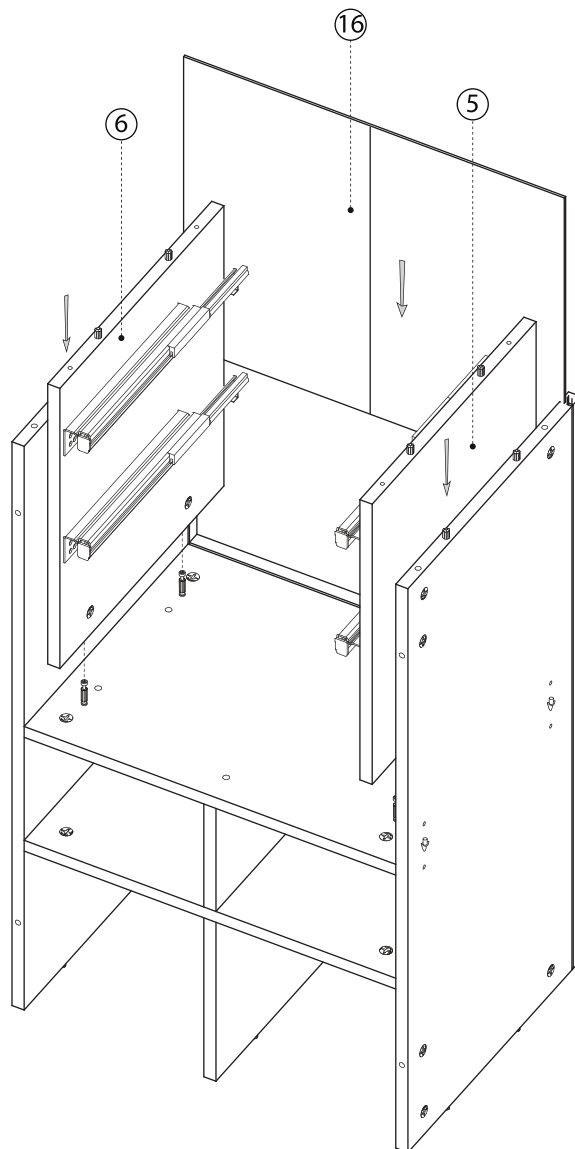
B1	7 x 50 mm	x2
		
K	4mm	x1
		




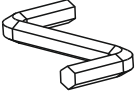
19 ▶

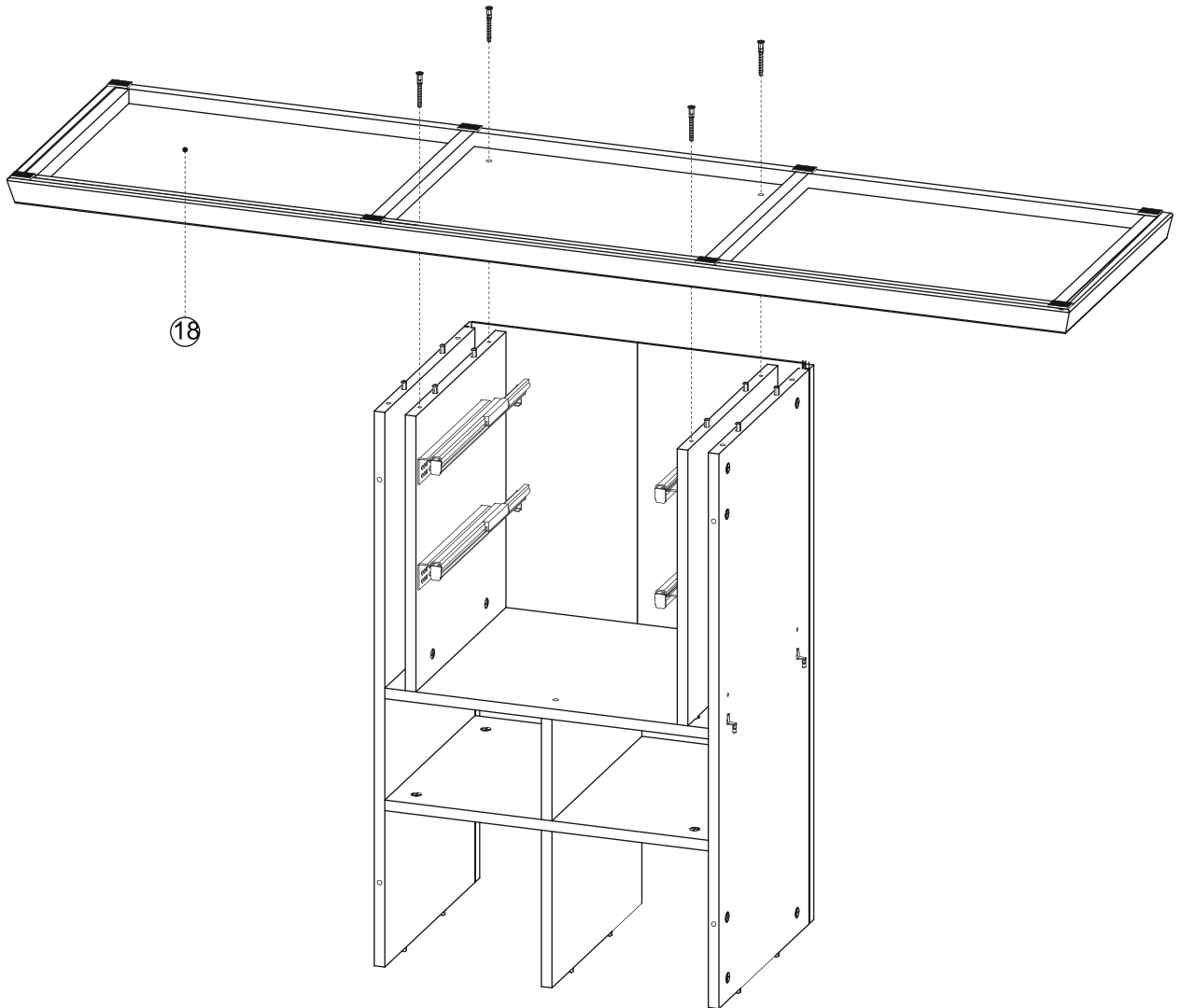
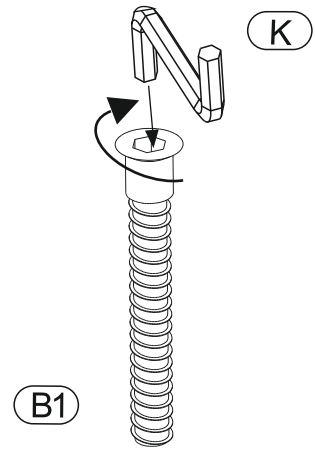


20 ▶

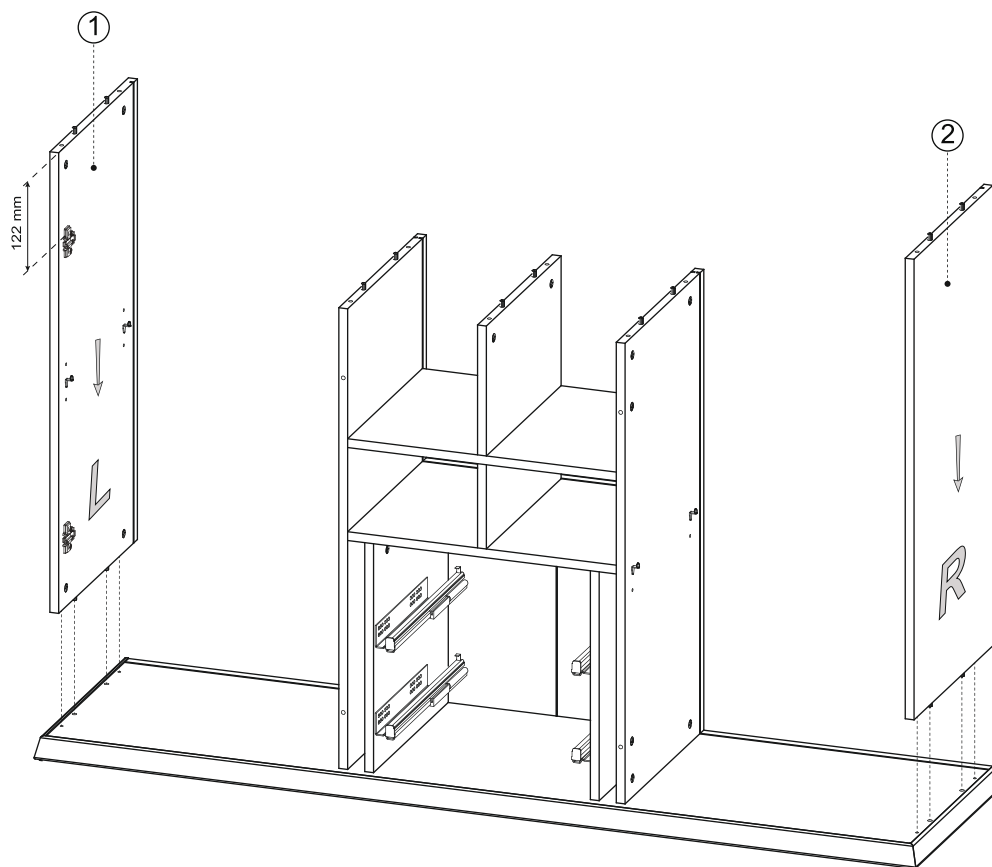


21▶

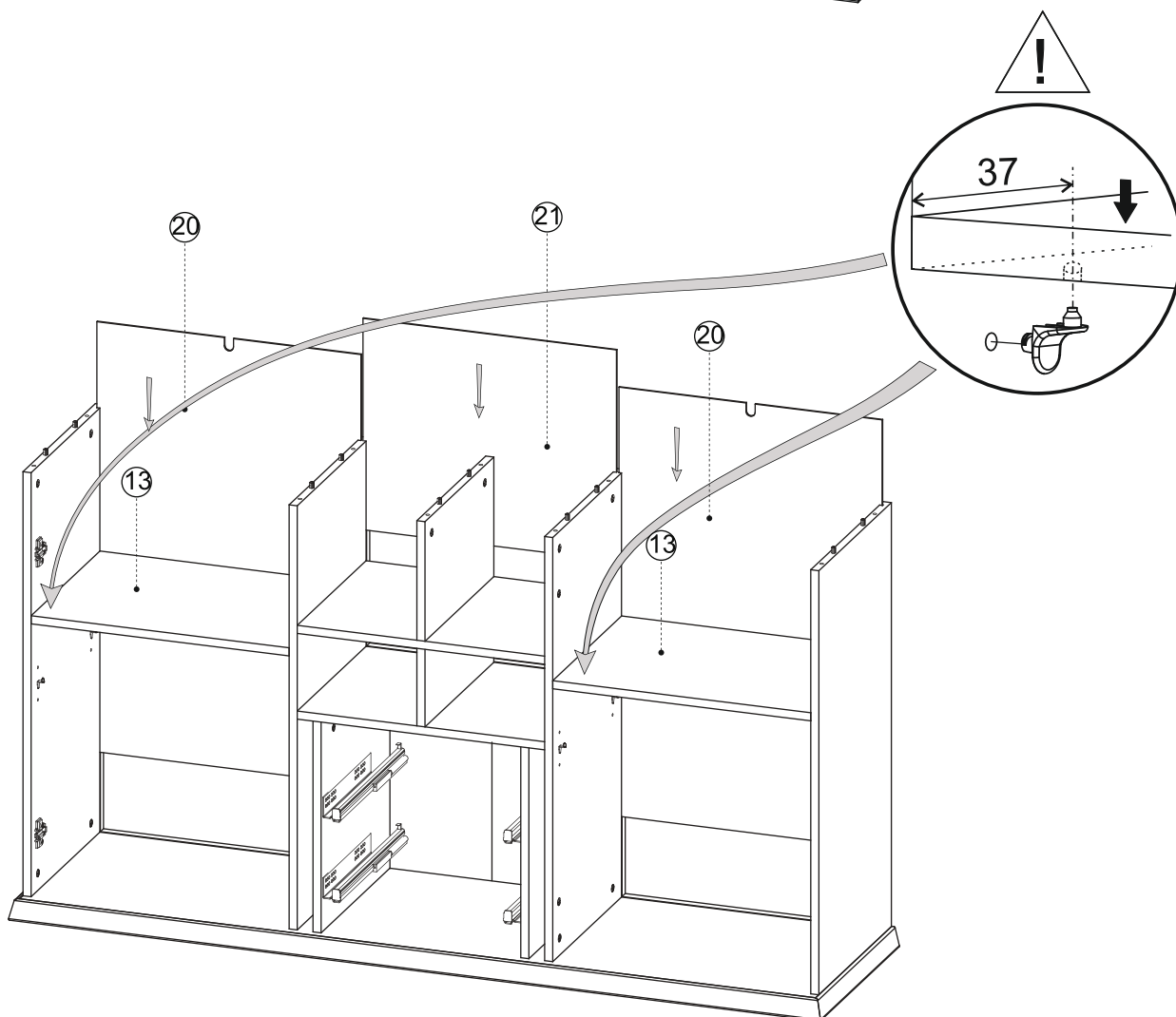
<p>B1 7 x 50 mm x4</p> 	<p>K x1</p> <p>4mm</p> 
--	--



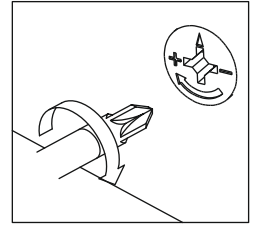
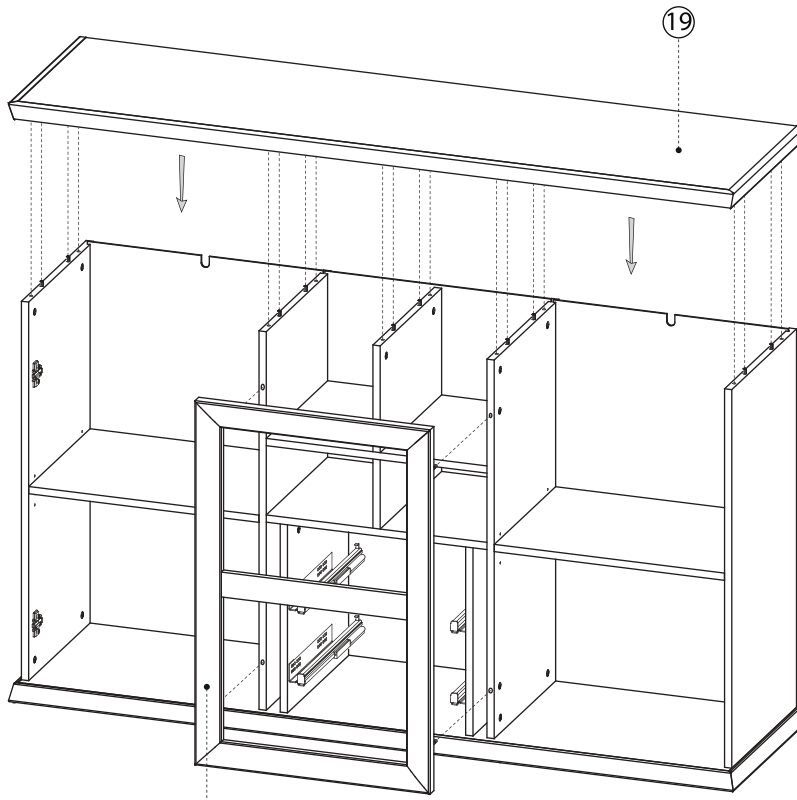
22 ▶



23 ▶

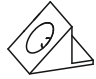


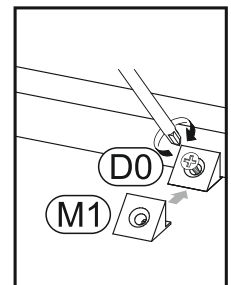
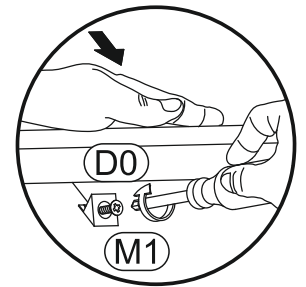
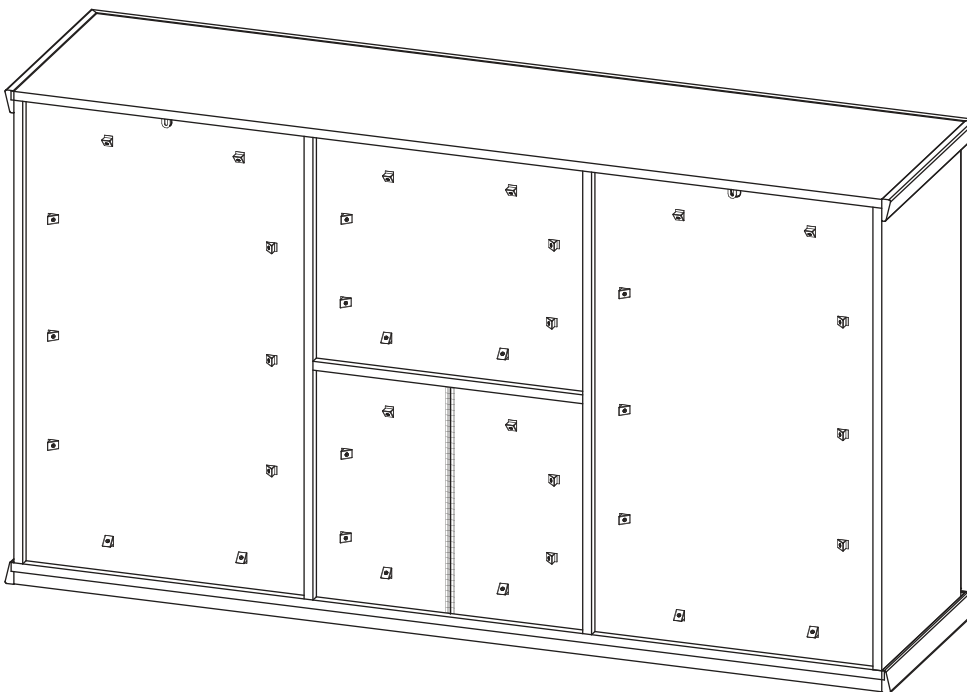
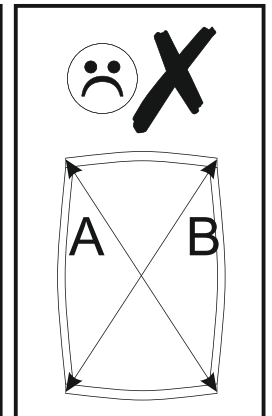
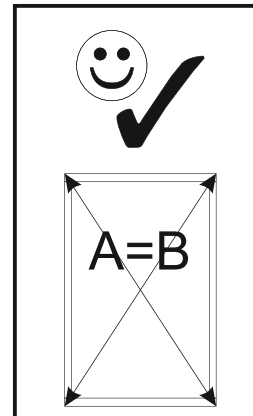
24 ▶



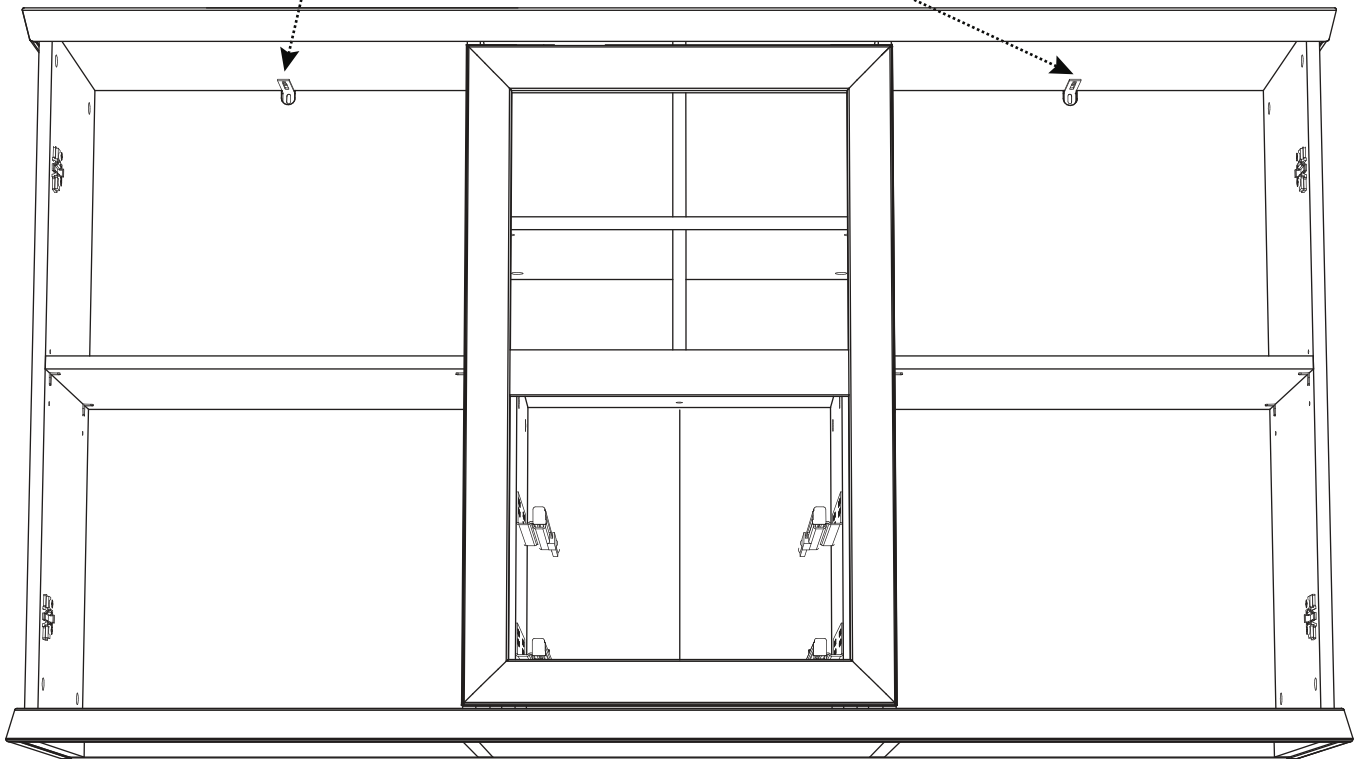
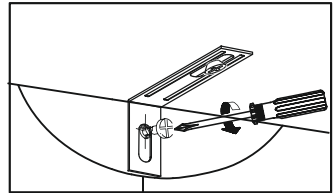
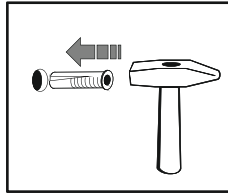
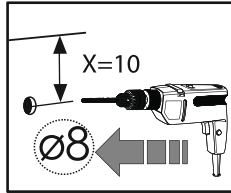
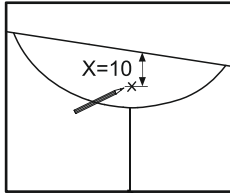
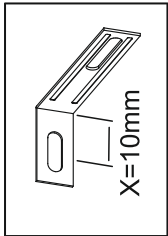
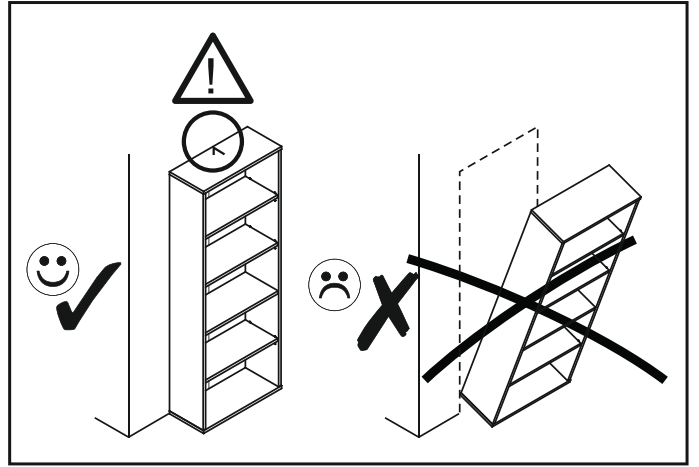
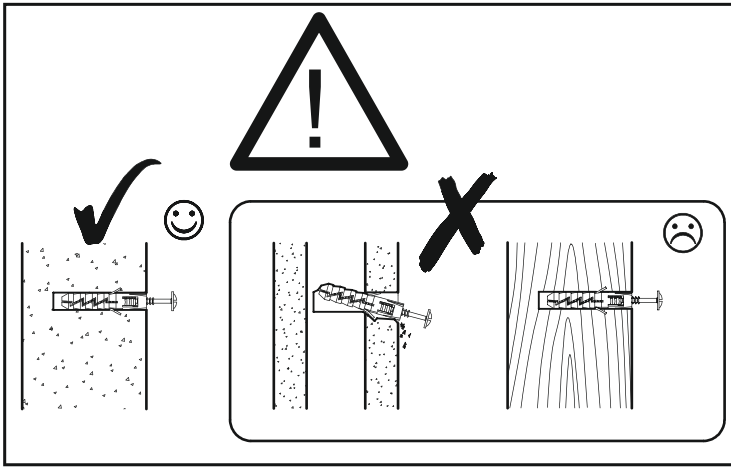
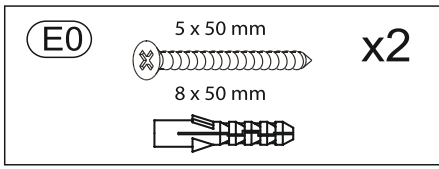
25 ▶

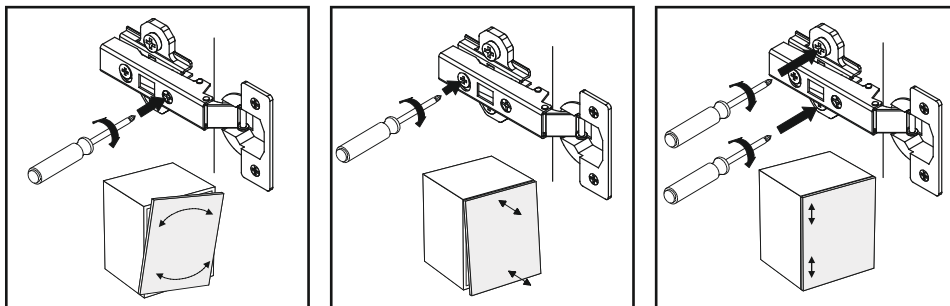
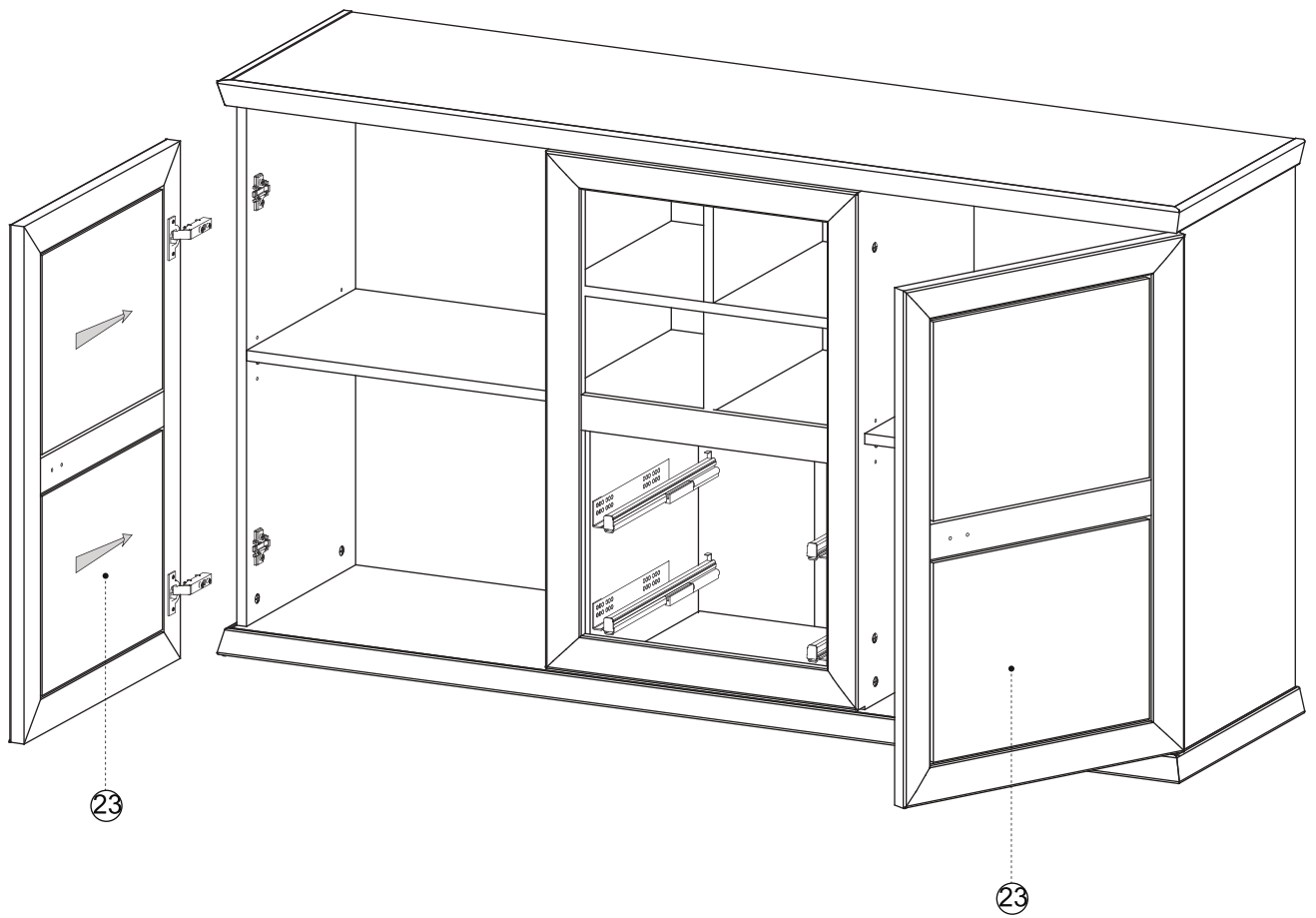
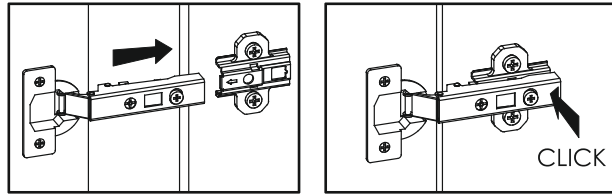
22

<p>(D0)</p>	<p>3 x 15 mm</p> 	<p>x36</p>	<p>(M1)</p> 	<p>x36</p>
-------------	--	------------	---	------------



26 ▶





<p>(H2) 4 x 22 mm x4</p> 	<p>(L6) x2</p> 
--	--

