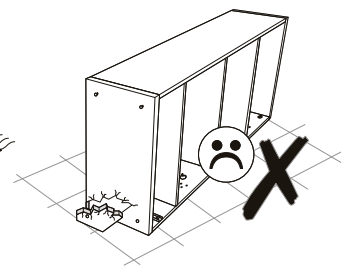
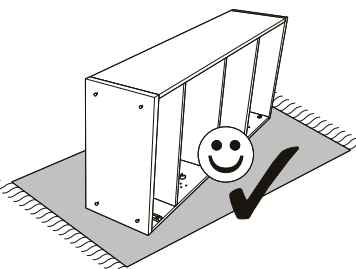
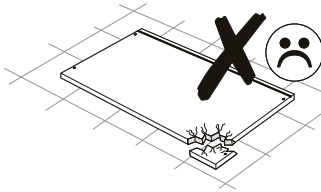
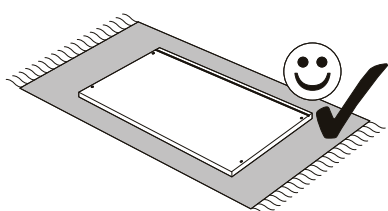
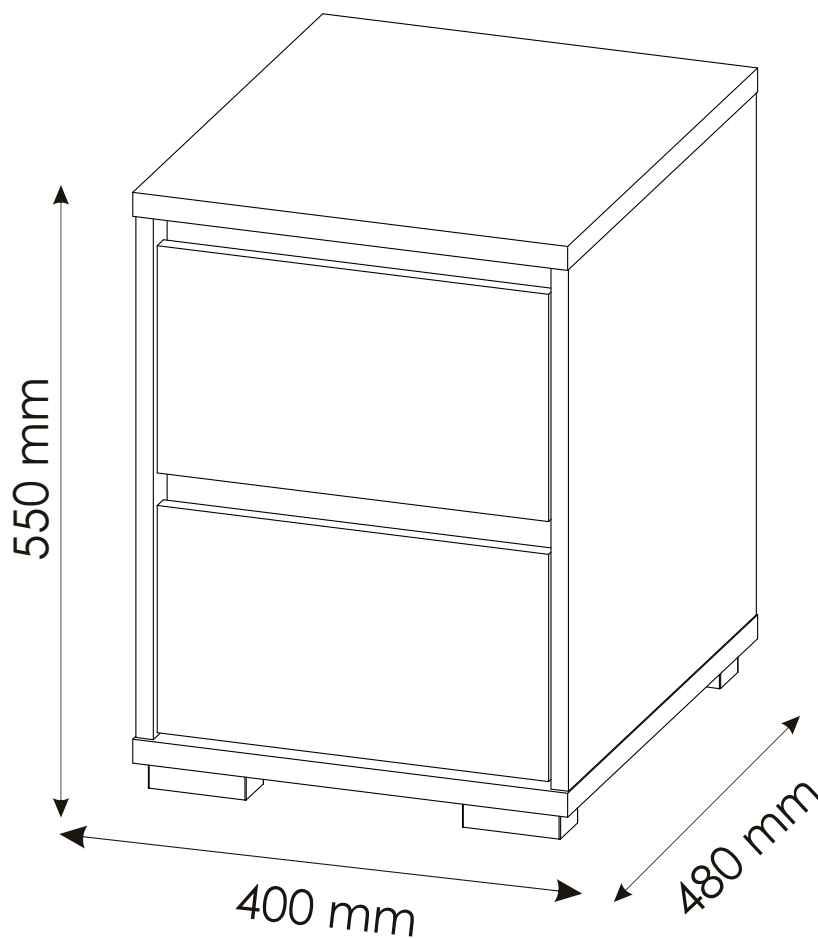
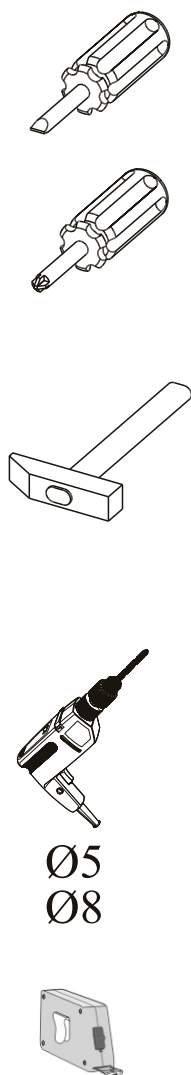
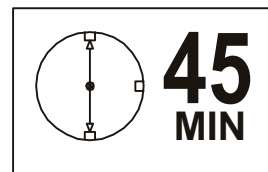
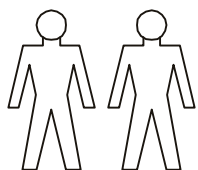

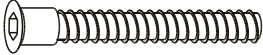

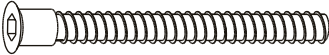








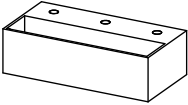

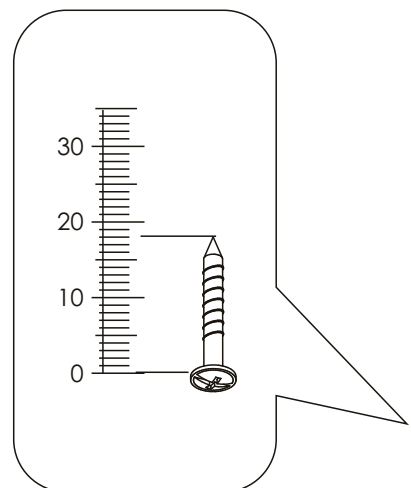
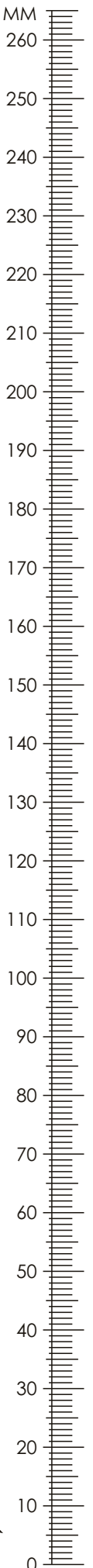


LINE 2L - KOMMODE




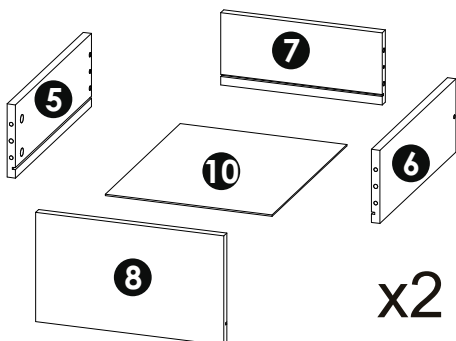
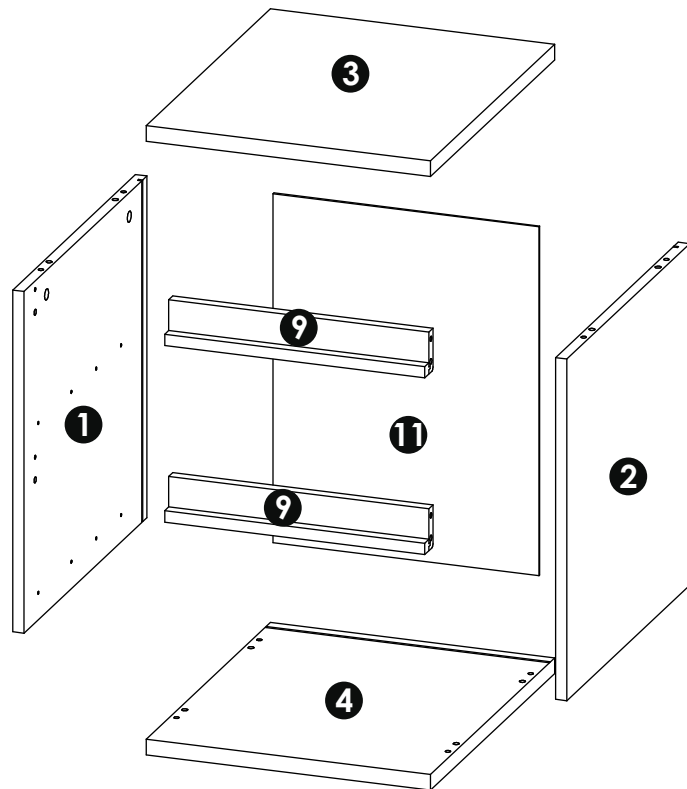
LINE 2L - KOMMODE

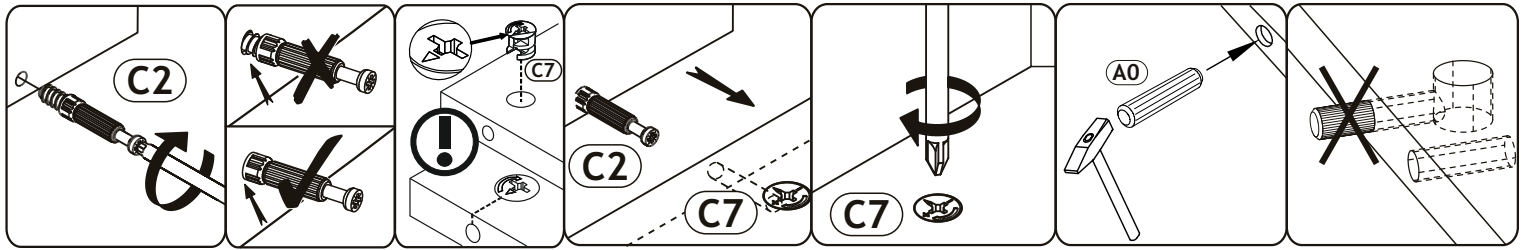
A0 8 x 30mm x24 	B1 f 7 x 50 mm x4 	C0 x8 
B2 f 7 x 70 mm x4 	C2 x16 	C7 x16 16mm 
D0 3 x 15 mm x12 	D21 5 x 13 mm x16 	D5 3,5 x 16 mm x12 
D14 4 x 35 mm x12 	K x1 4mm 	M1 x12 
N2 L-400 x2 	T2 x4 	U0 x4 








LINE 2L - KOMMODE

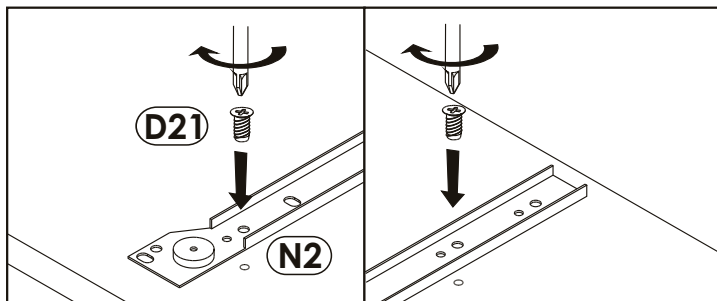
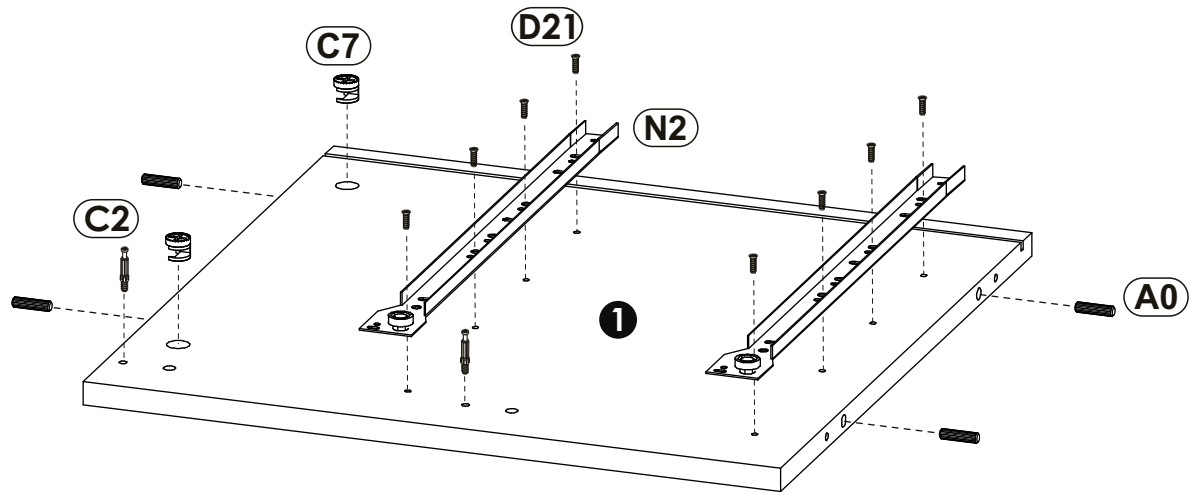
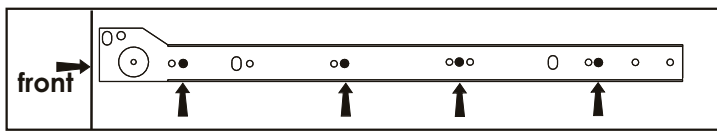
1	481	475	16	1	1/1
2	481	475	16	1	1/1
3	400	480	22	1	1/1
4	400	480	22	1	1/1
5	400	140	16	2	1/1
6	400	140	16	2	1/1
7	309	138	16	2	1/1
8	360	209	16	2	1/1
9	366	59	32	2	1/1
10	319	394	3	2	1/1
11	491	376	3	1	1/1
12					1/1










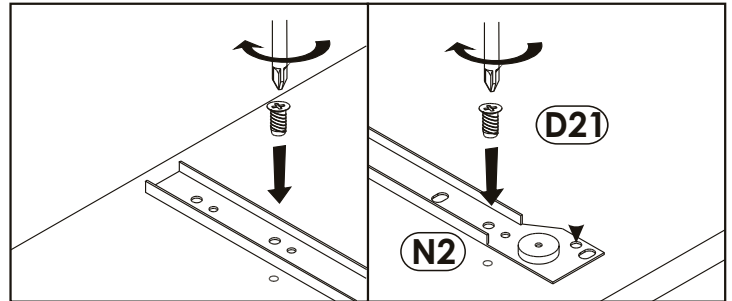
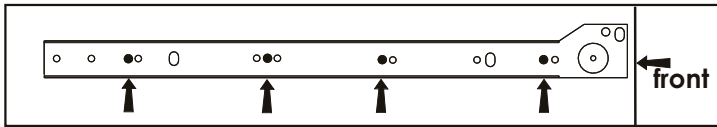
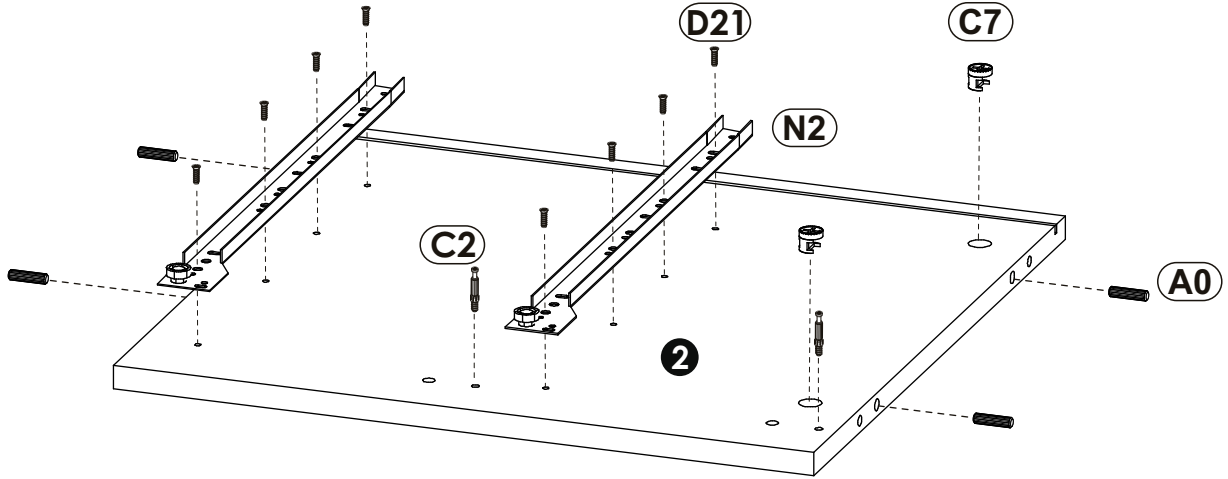
1 ▶

<p>A0 8 x 30mm x4</p> 	<p>C7 16mm x2</p> 	<p>C2 x2</p> 
<p>D21 5 x 13 mm x8</p> 	<p>N2 L-400 x2</p> 	





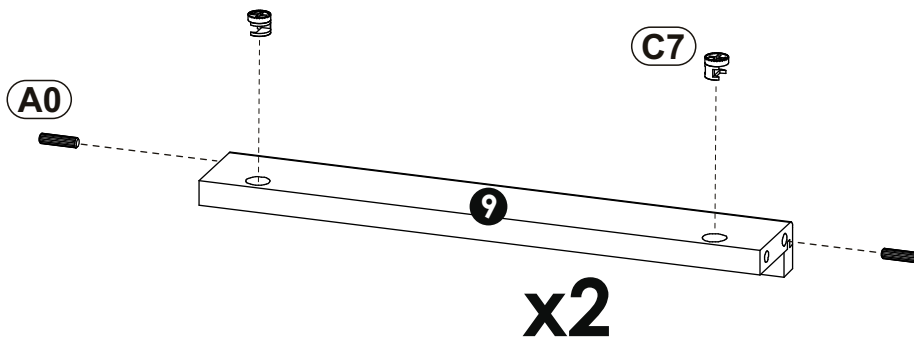
2 ▶

A0 8 x 30mm  x4	C7 16mm  x2	C2  x2
D21 5 x 13 mm  x8	N2 L-400  x2	

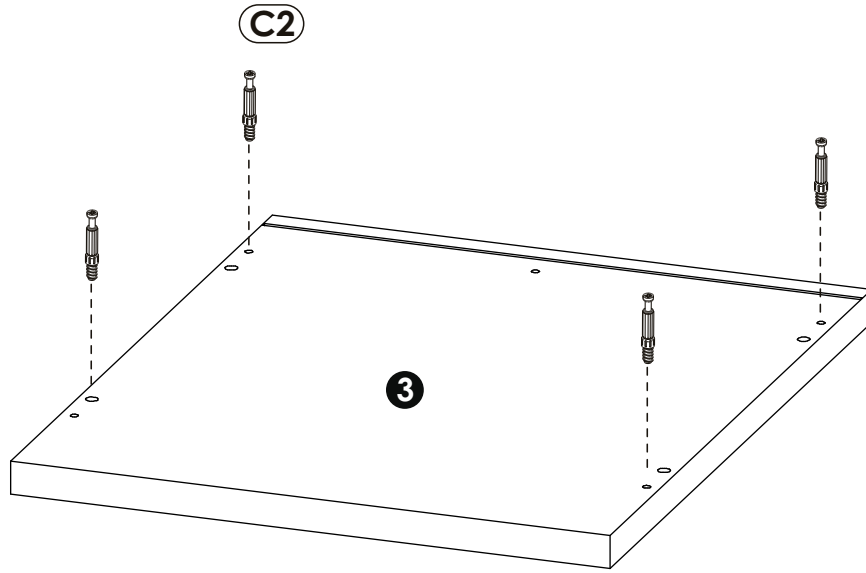
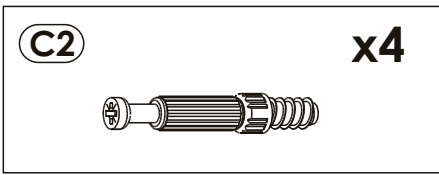


3 ▶

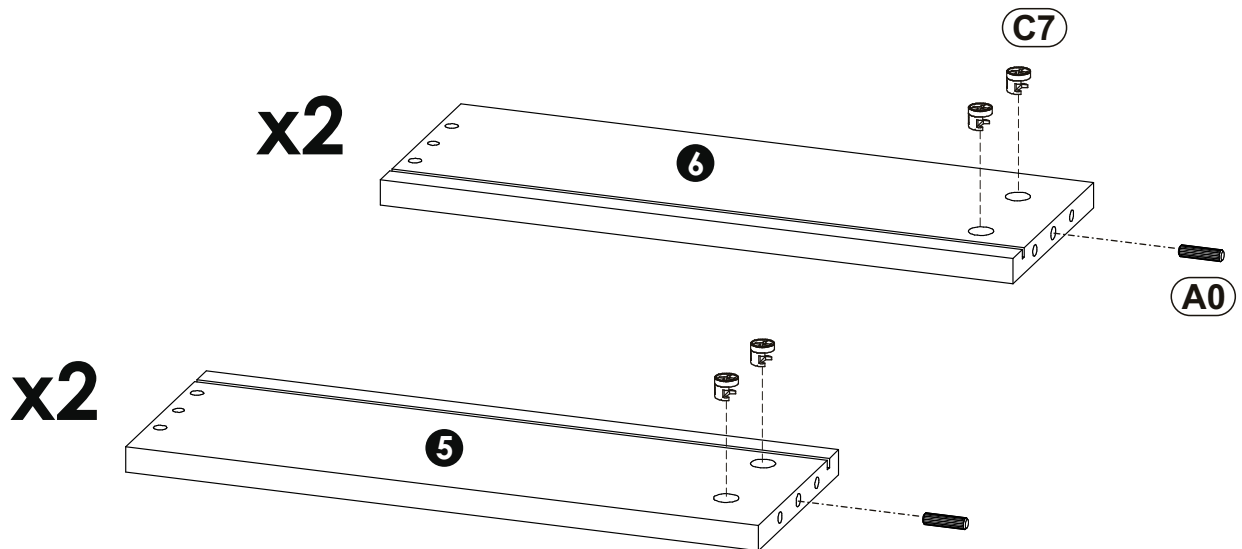
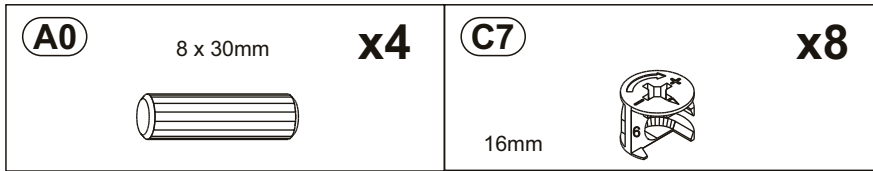
A0 8 x 30mm  x4	C7 16mm  x4
---	---



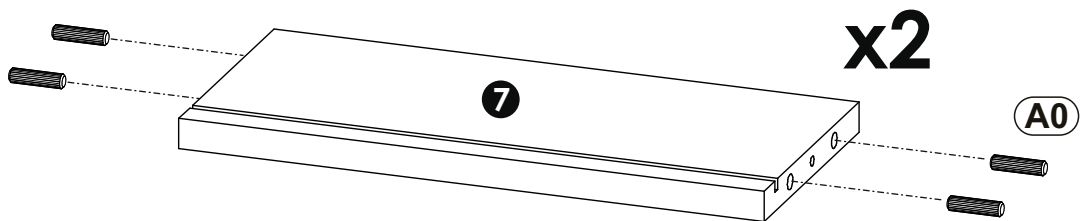
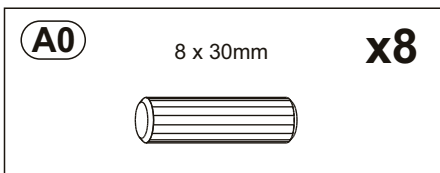
4▶



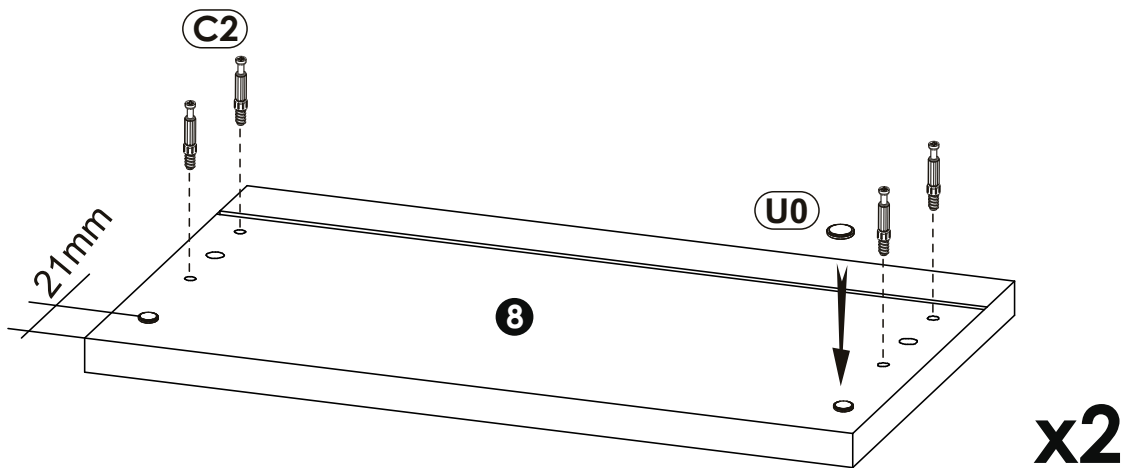
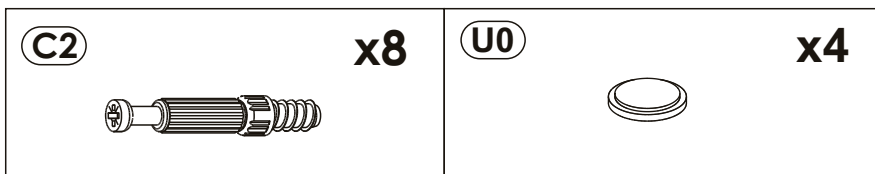
5▶



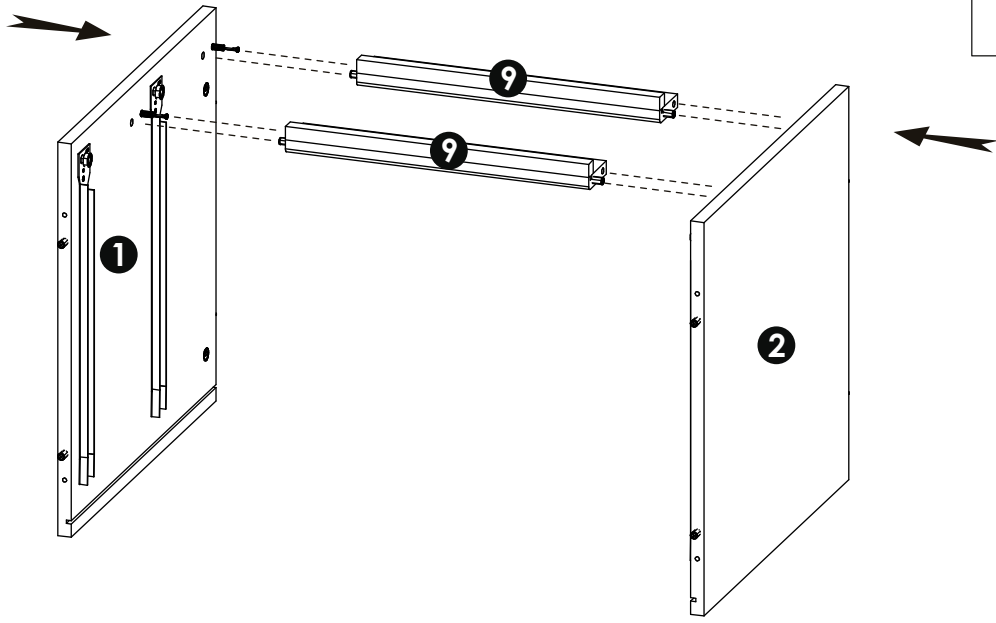
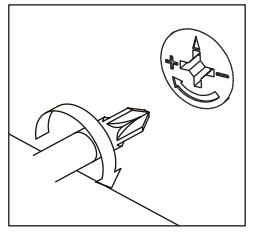
6 ▶



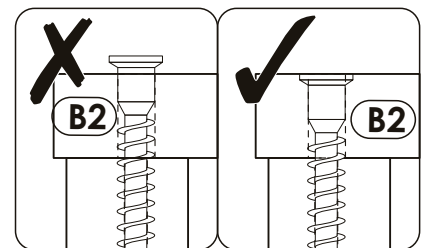
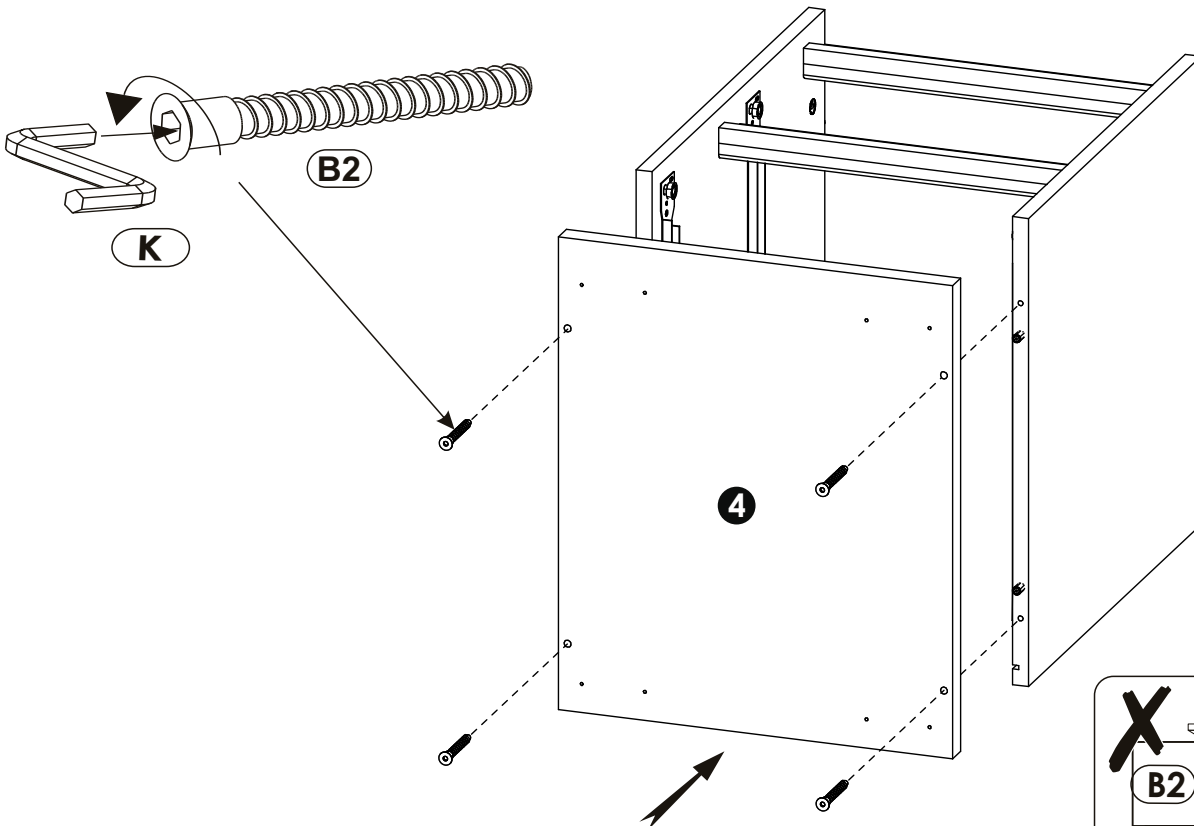
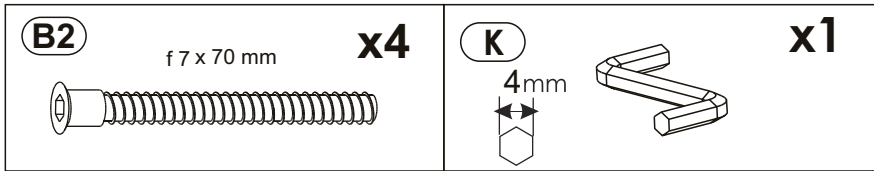
7 ▶



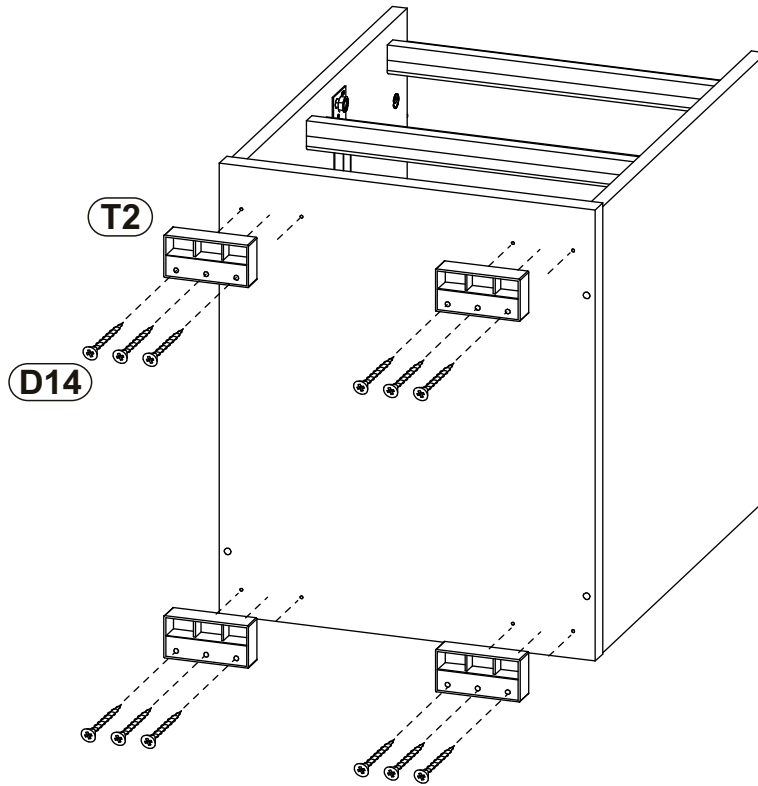
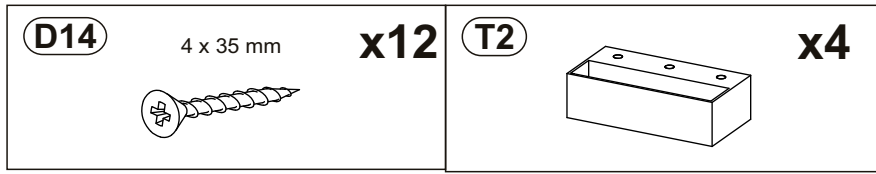
8 ▶



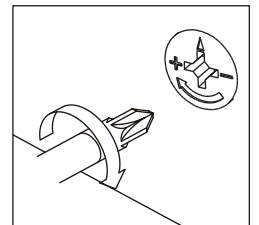
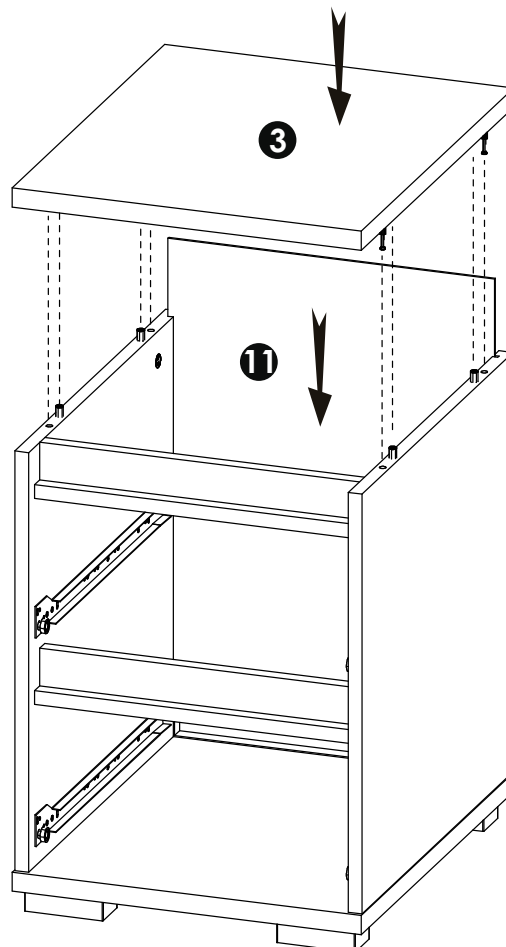
9 ▶





10 ▶

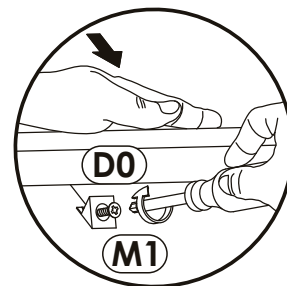
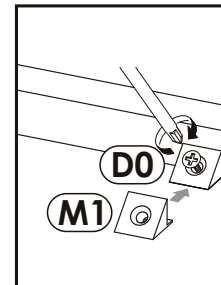
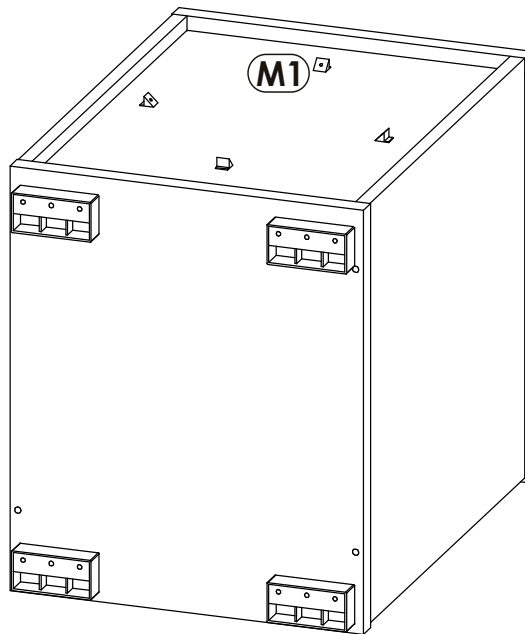
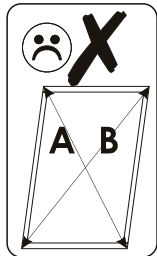
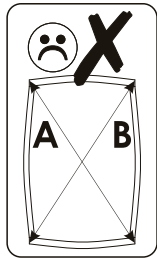
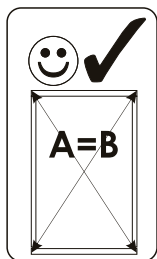


11 ▶


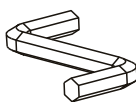


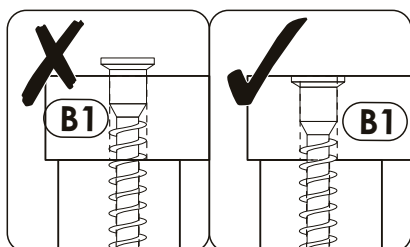
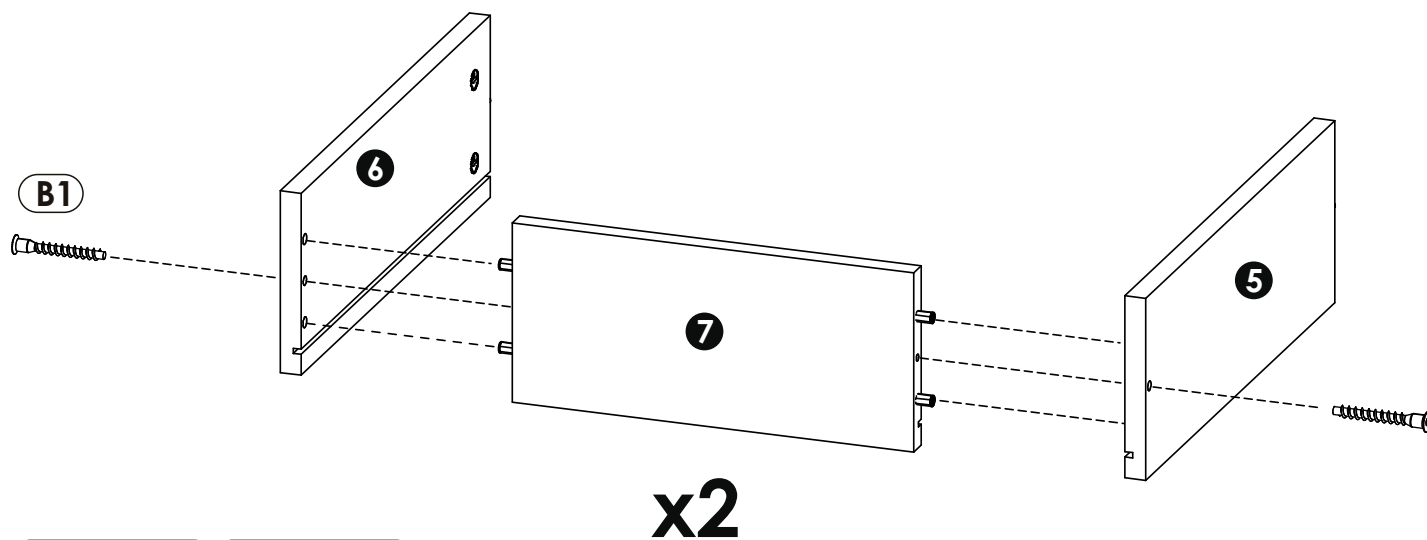
12▶

(D0) 3 x 15 mm 	x4	(M1) 	x4
---	-----------	--	-----------

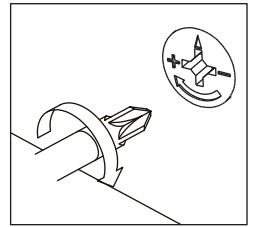
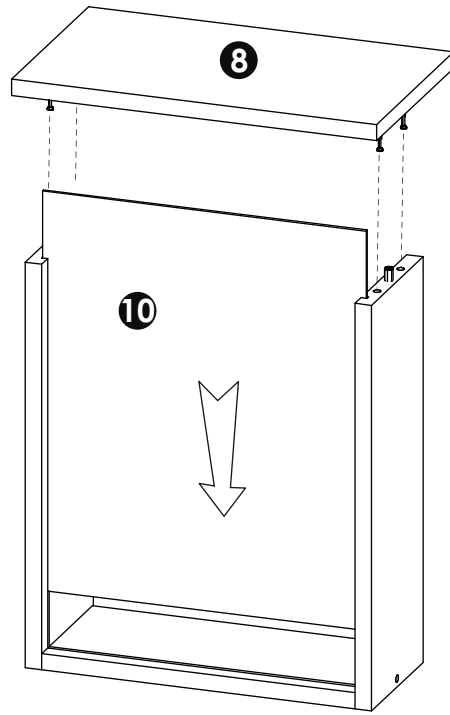


13▶


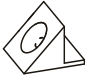
(B1) f 7 x 50 mm 	x4	(K) 4mm 	x1
---	-----------	--	-----------

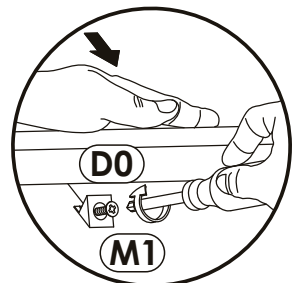
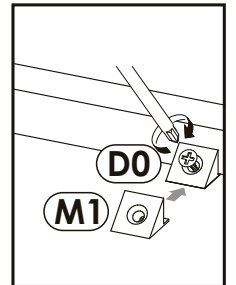
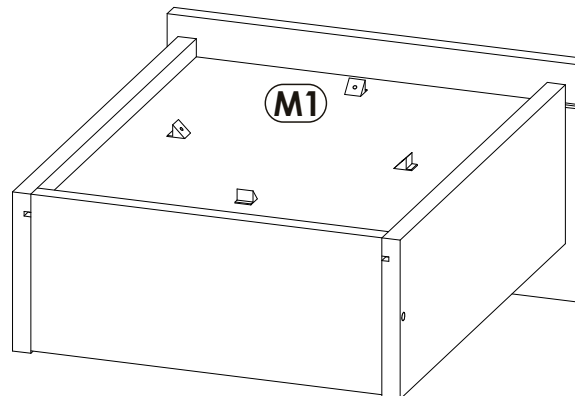
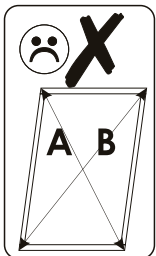
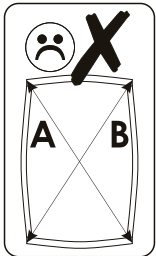
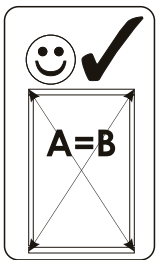


14▶


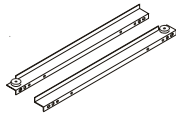


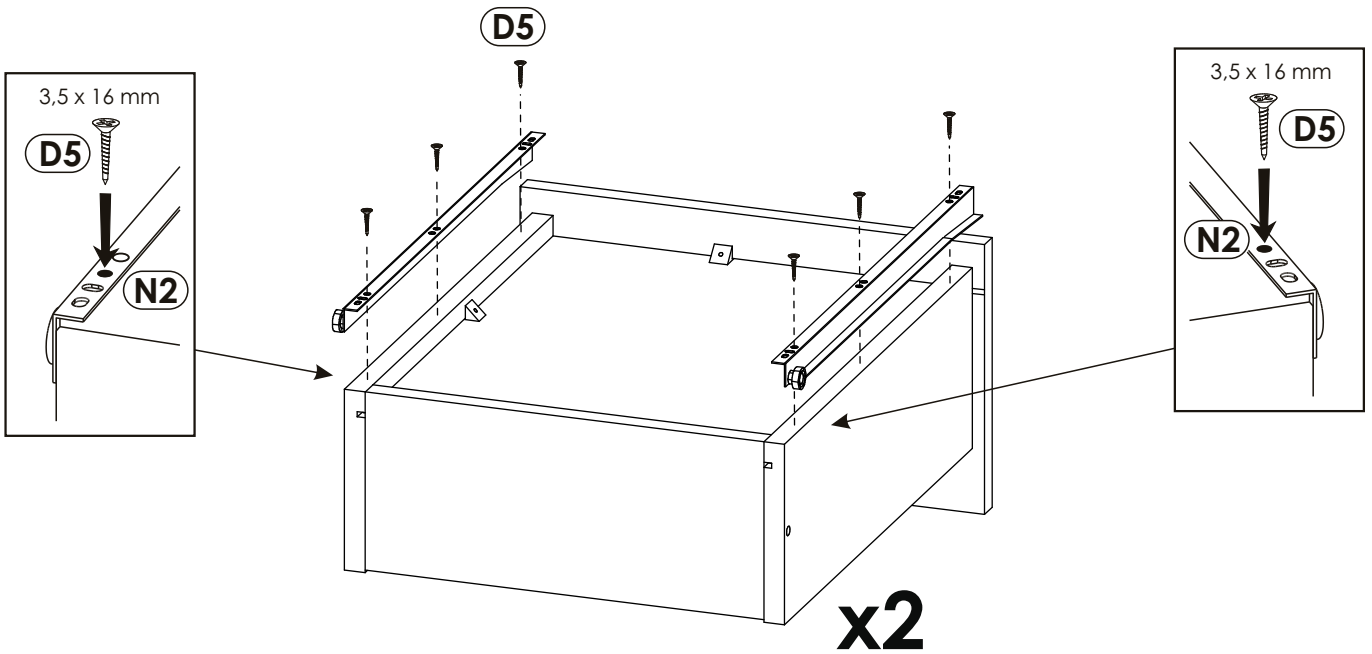
15▶

<p>(D0) 3 x 15 mm x8</p> 	<p>(M1) x8</p> 
--	--

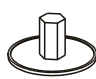


16▶

(D5) 3.5 x 16 mm  x12	(N2) L-400  x2
---	--



17▶

(C0)  x8

