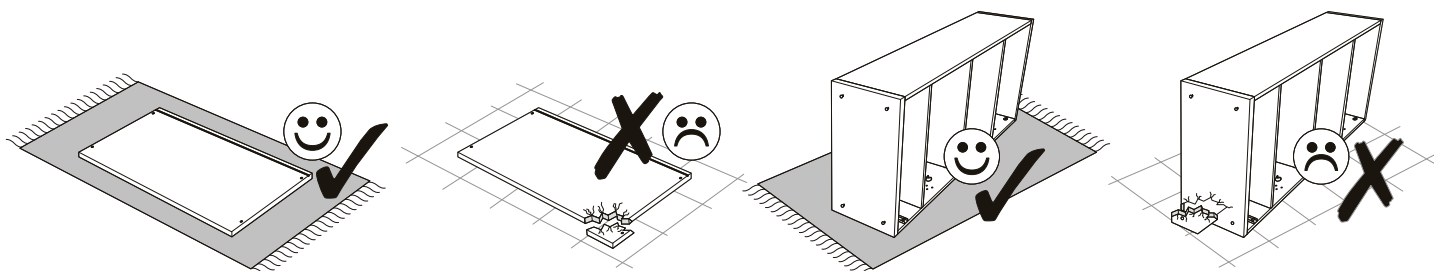
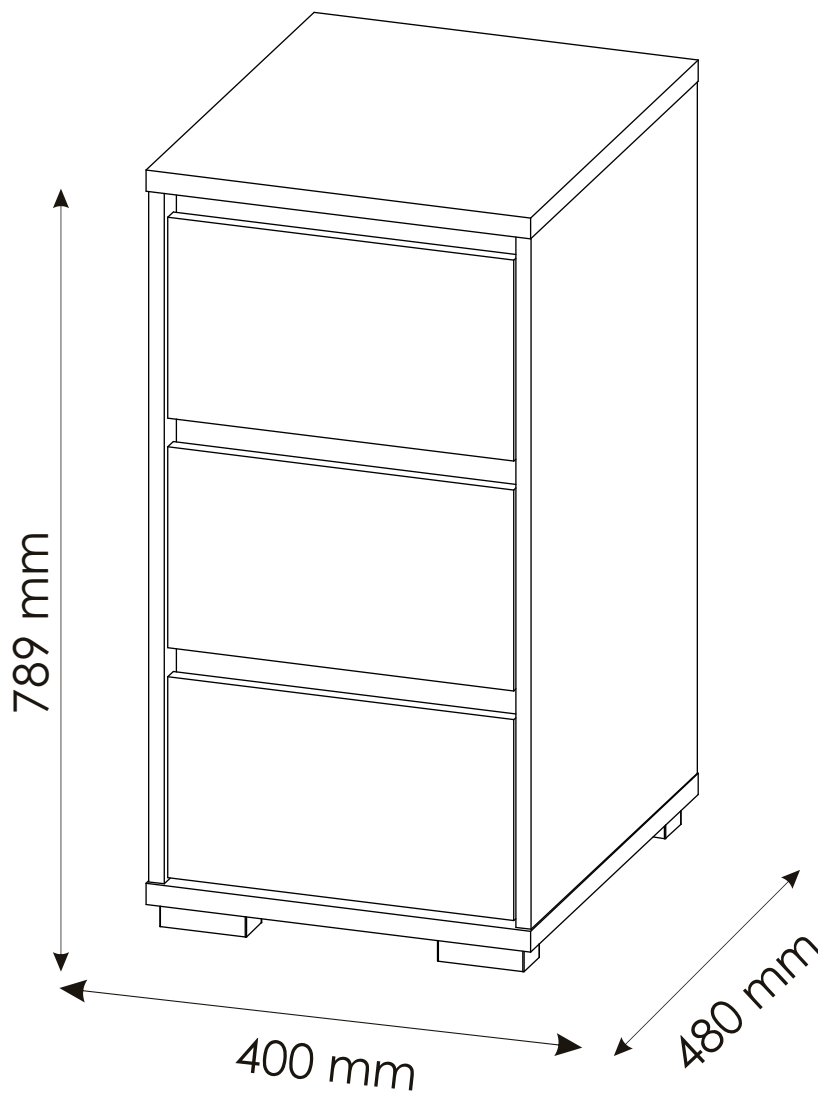
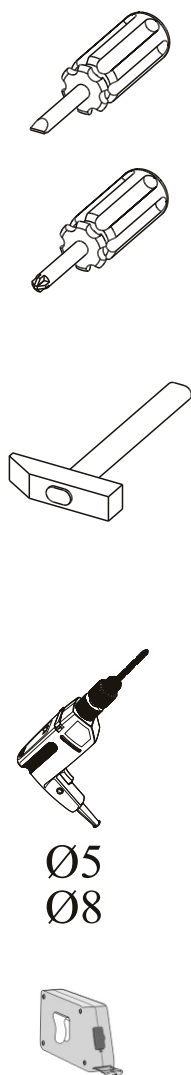
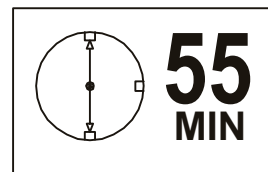
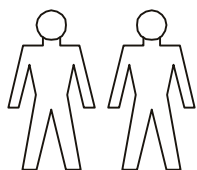

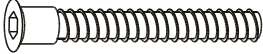

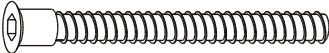









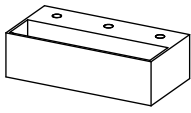

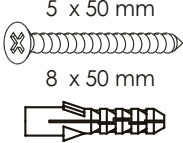
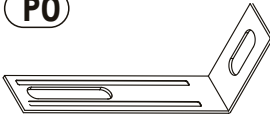
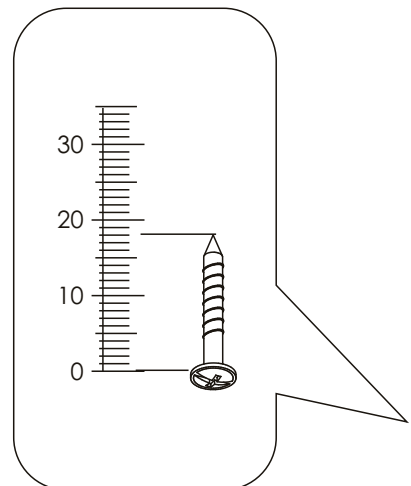
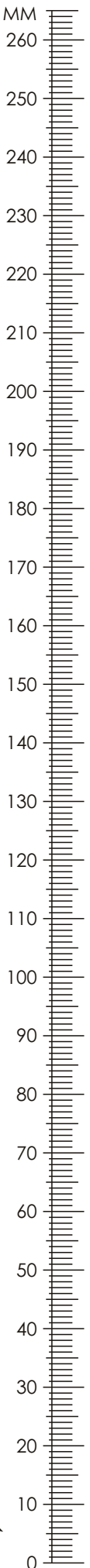


LINE 3L - KOMMODE




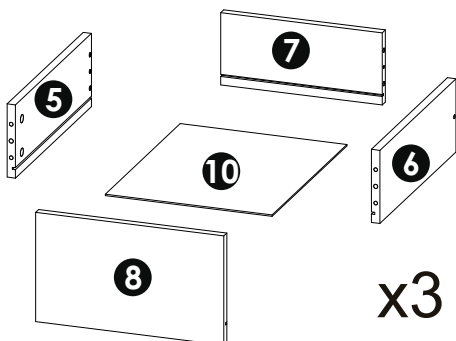
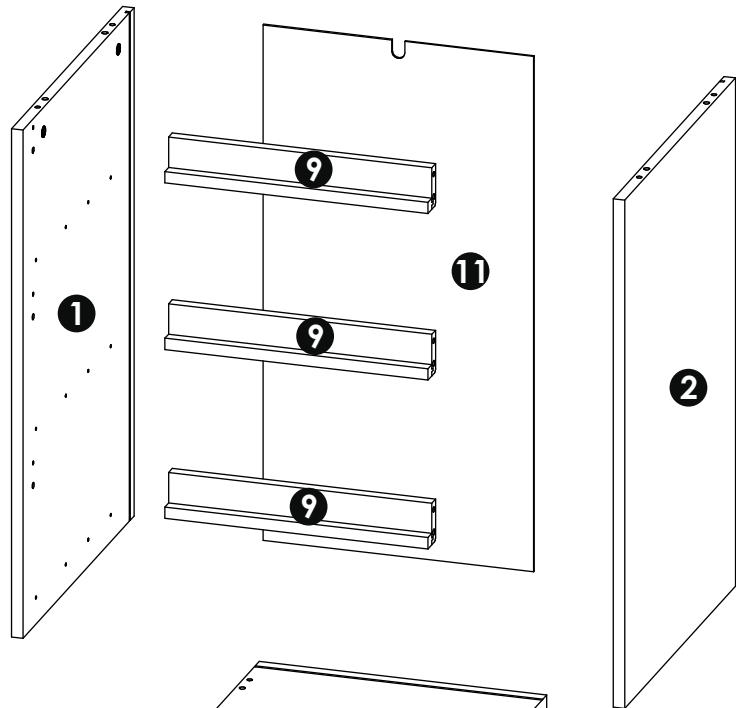
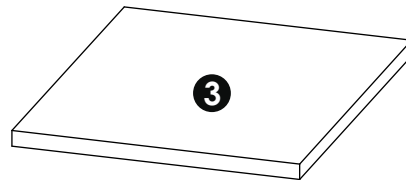
LINE 3L - KOMMODE

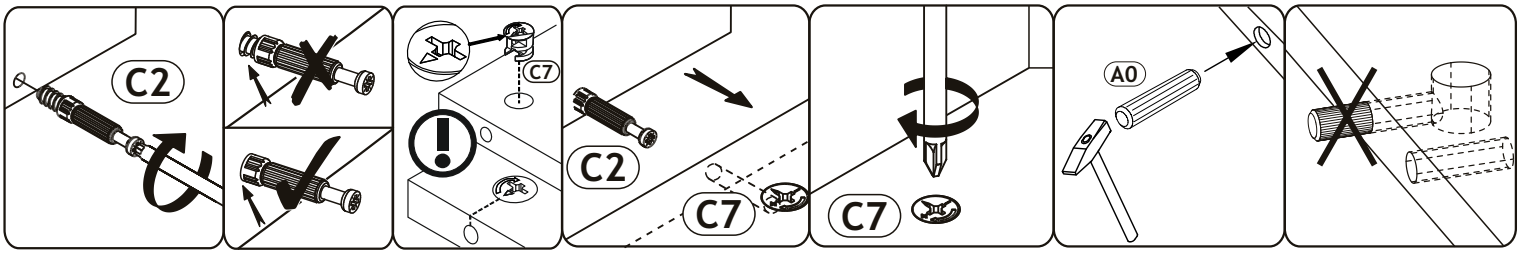
A0 8 x 30mm x32 	B1 f 7 x 50 mm x6 	C0 x12 
B2 f 7 x 70 mm x4 	C2 x22 	C7 x22 16mm 
D0 3 x 15 mm x18 	D21 5 x 13 mm x25 	D5 3,5 x 16 mm x18 
D14 4 x 35 mm x12 	K x1 4mm 	M1 x18 
N2 L-400 x3 	T2 x4 	U0 x6 
E0 x1 5 x 50 mm 8 x 50 mm 	P0 x1 	



LINE 3L - KOMMODE

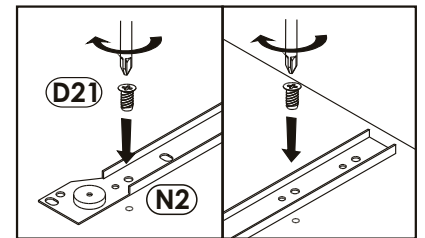
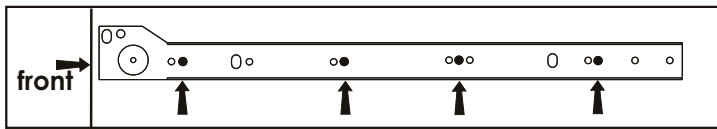
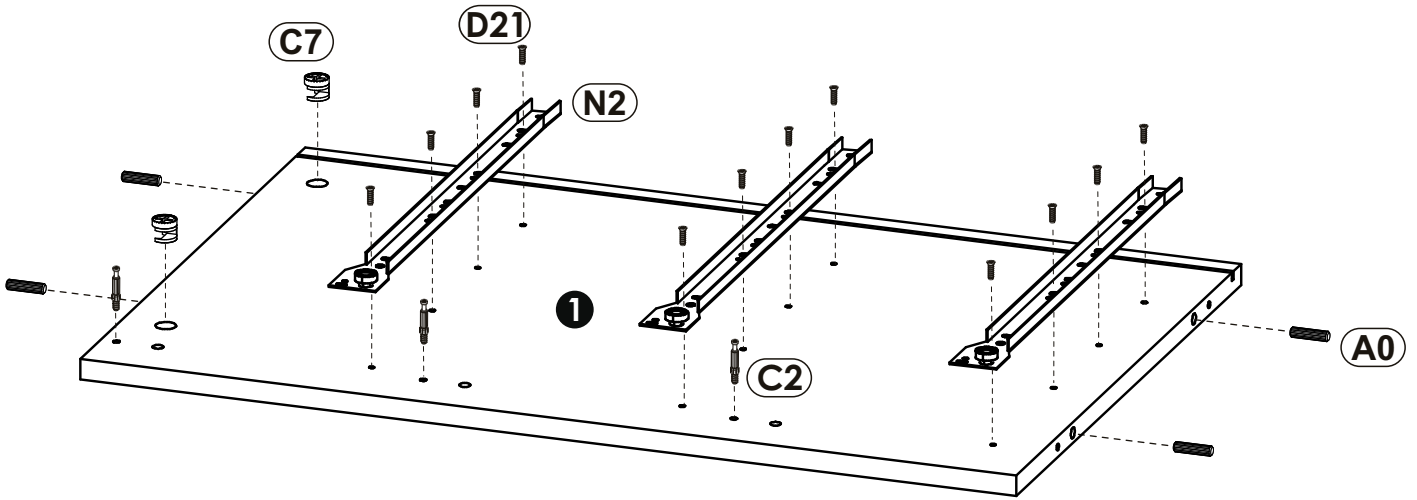
1	720	475	16	1	1/1
2	720	475	16	1	1/1
3	400	480	22	1	1/1
4	400	480	22	1	1/1
5	400	140	16	3	1/1
6	400	140	16	3	1/1
7	309	138	16	3	1/1
8	360	209	16	3	1/1
9	366	59	32	3	1/1
10	319	394	3	3	1/1
11	730	376	3	1	1/1
12					1/1





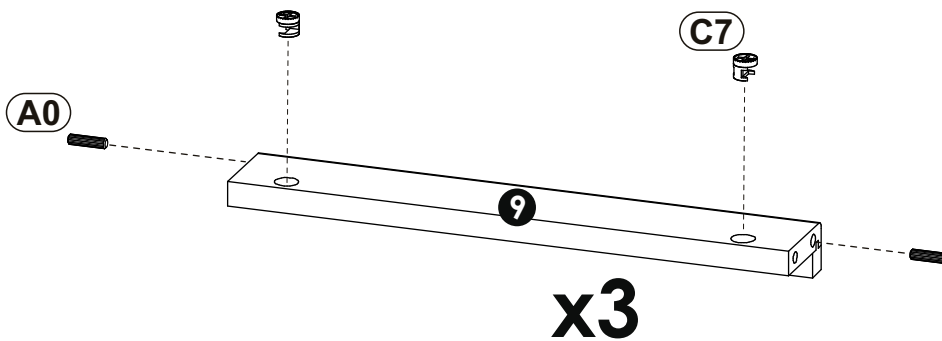
1

A0	8 x 30mm	x4	C7	16mm	x2	C2	x3
D21	5 x 13 mm	x12	N2	L-400	x3		








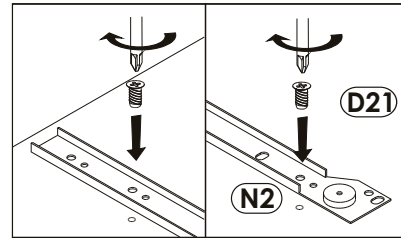
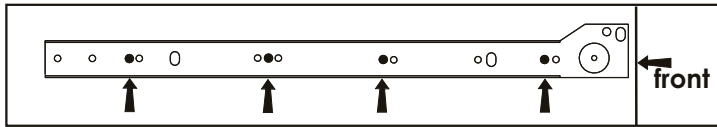
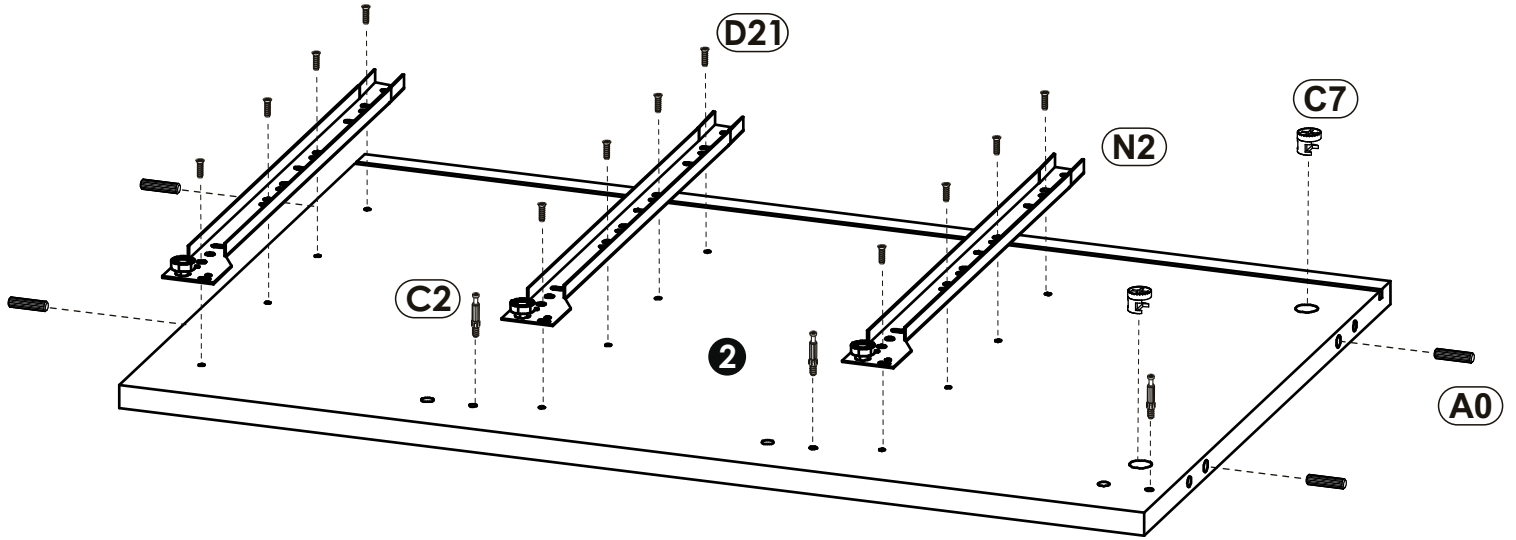
2

A0	8 x 30mm	x6	C7	16mm	x6
-----------	----------	-----------	-----------	------	-----------

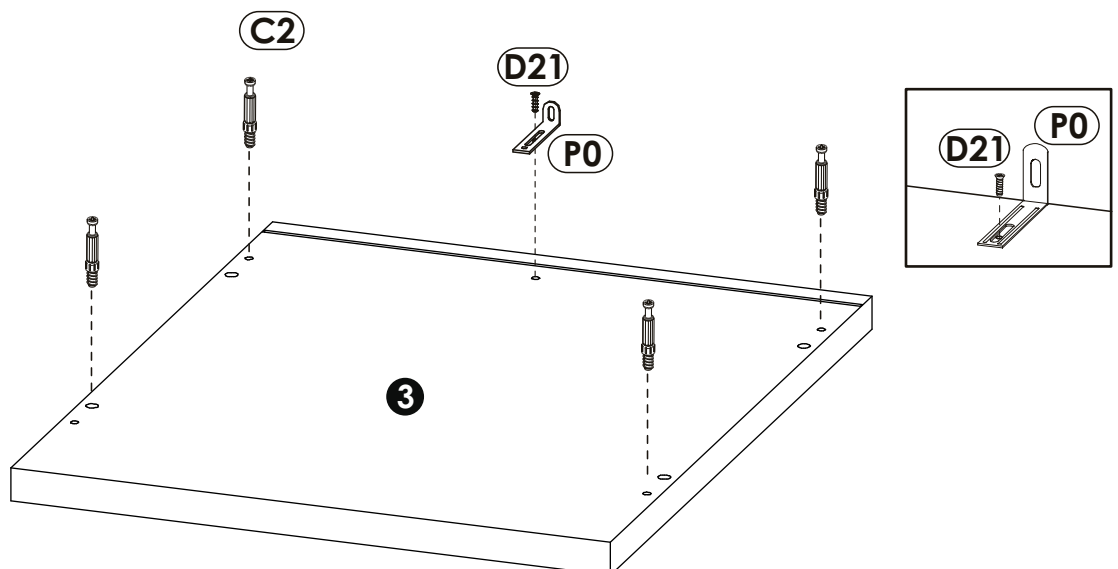


3 ▶

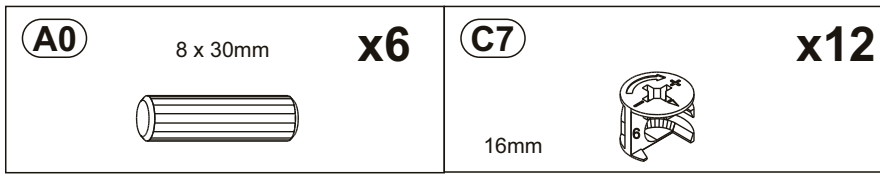
A0 8 x 30mm 	x4	C7 16mm 	x2	C2 	x3
D21 5 x 13 mm 	x12	N2 L-400 	x3		

**4** ▶

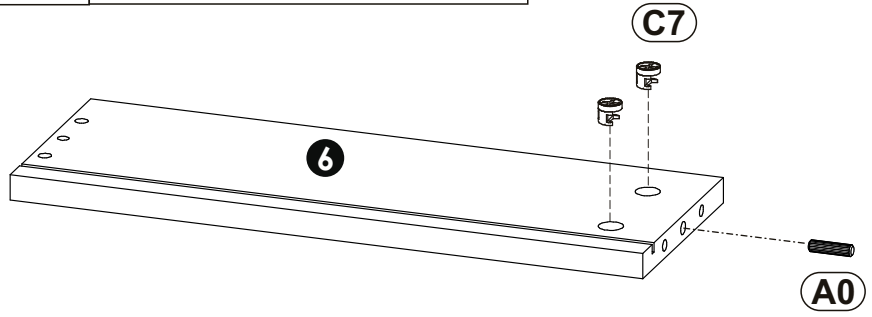
C2 	x4	D21 5 x 13 mm 	x1	P0 	x1
--	-----------	--	-----------	--	-----------



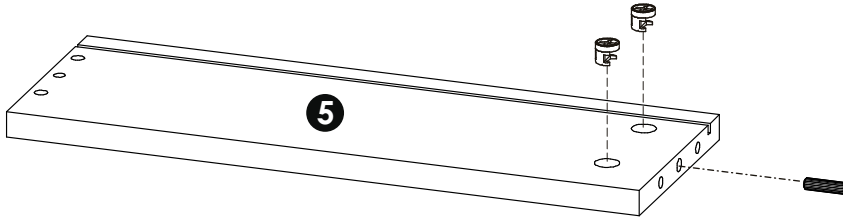
5▶



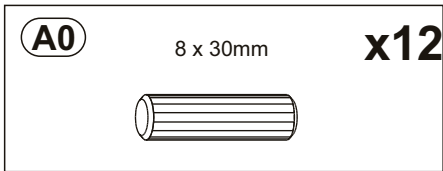
x3



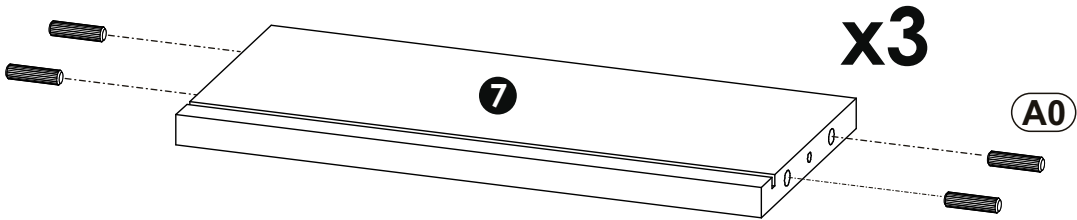
x3



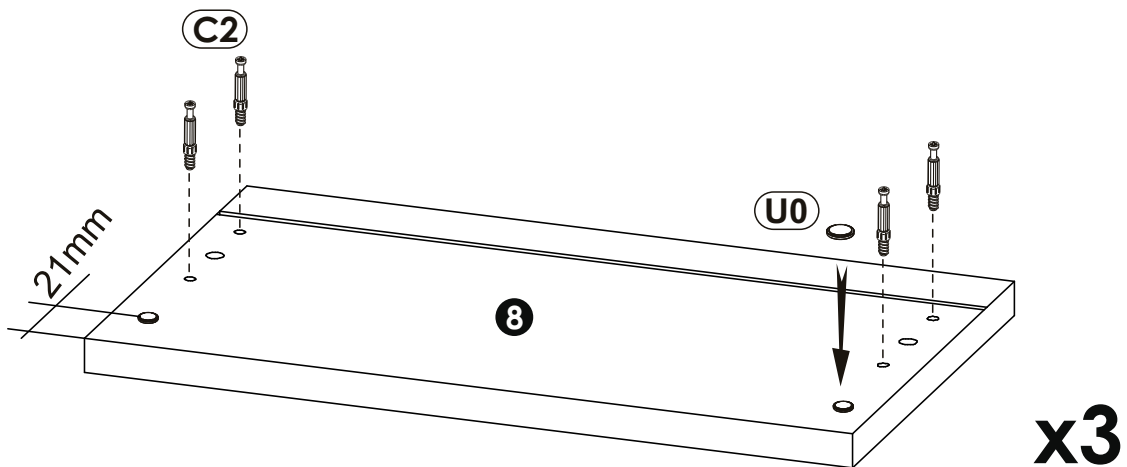
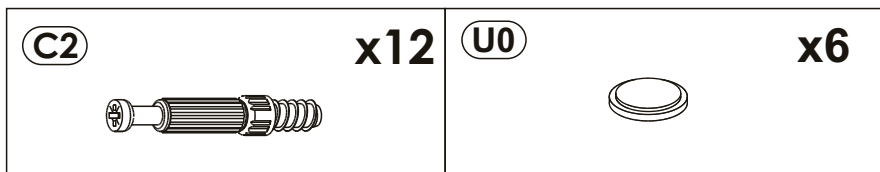
6▶



x3

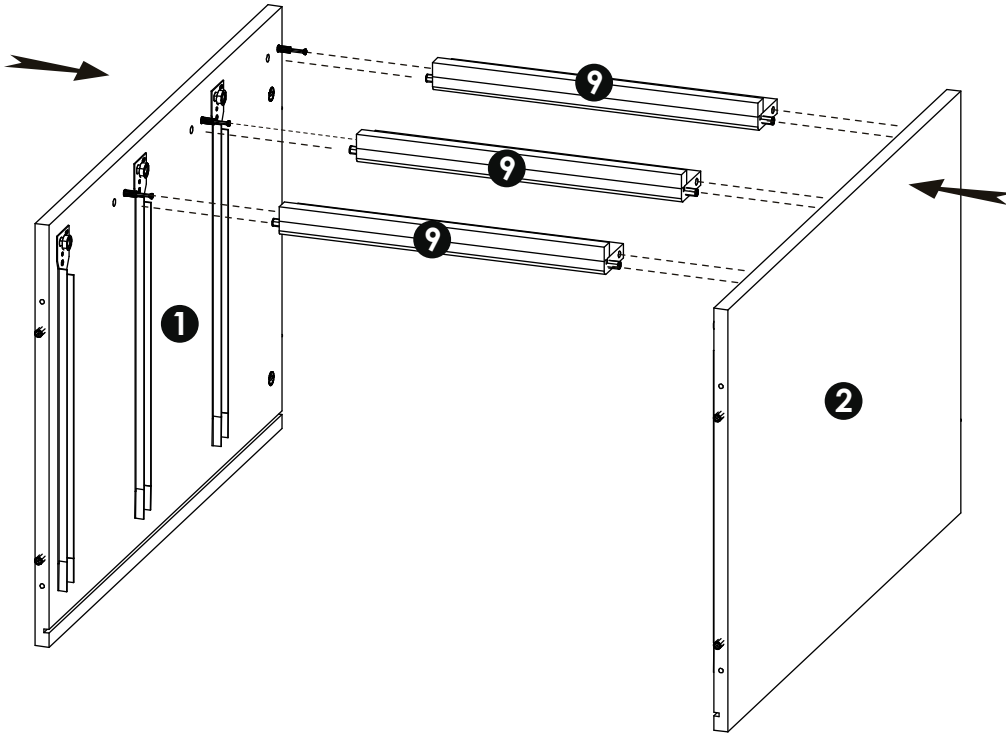
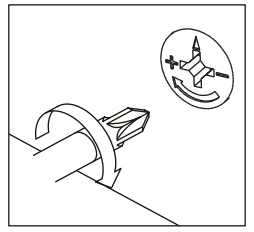


7▶

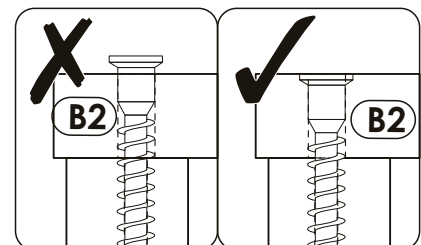
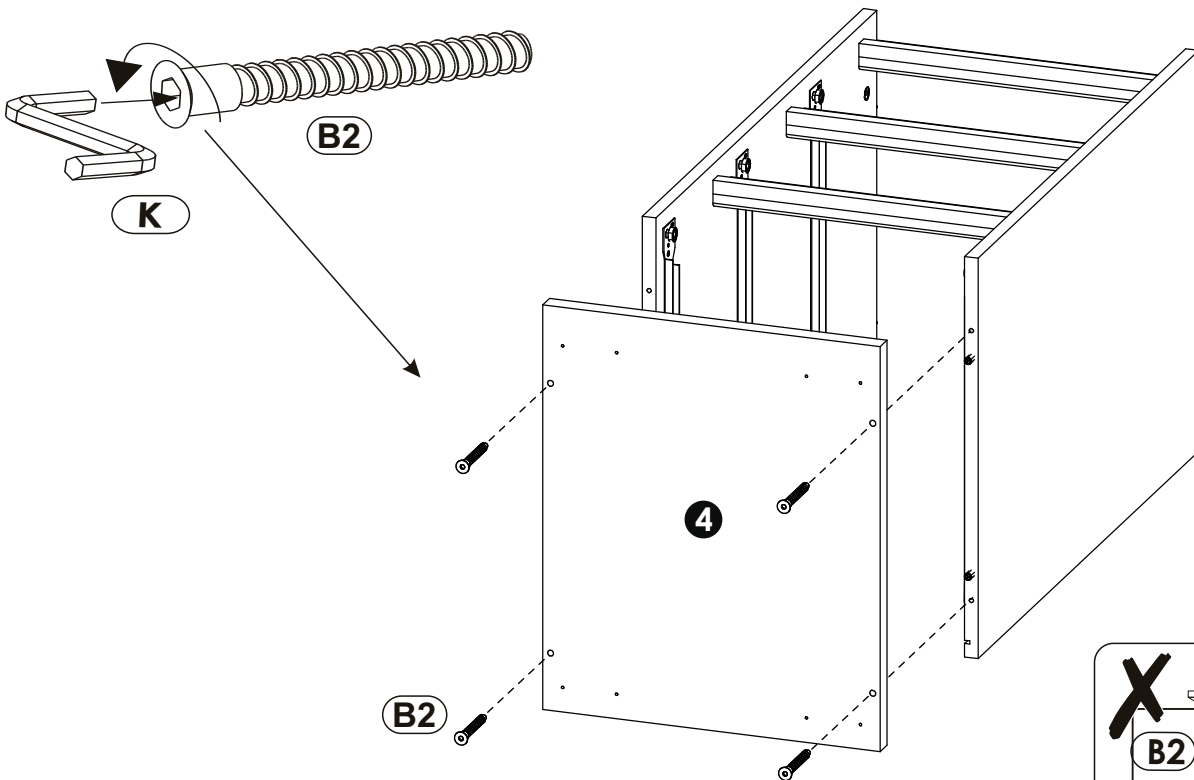
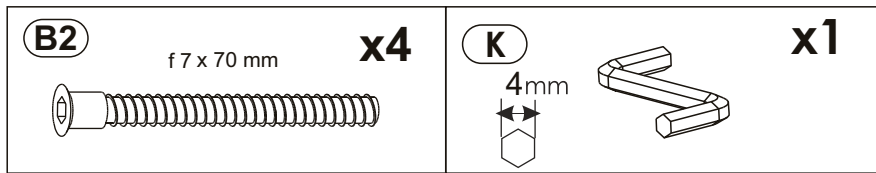


x3

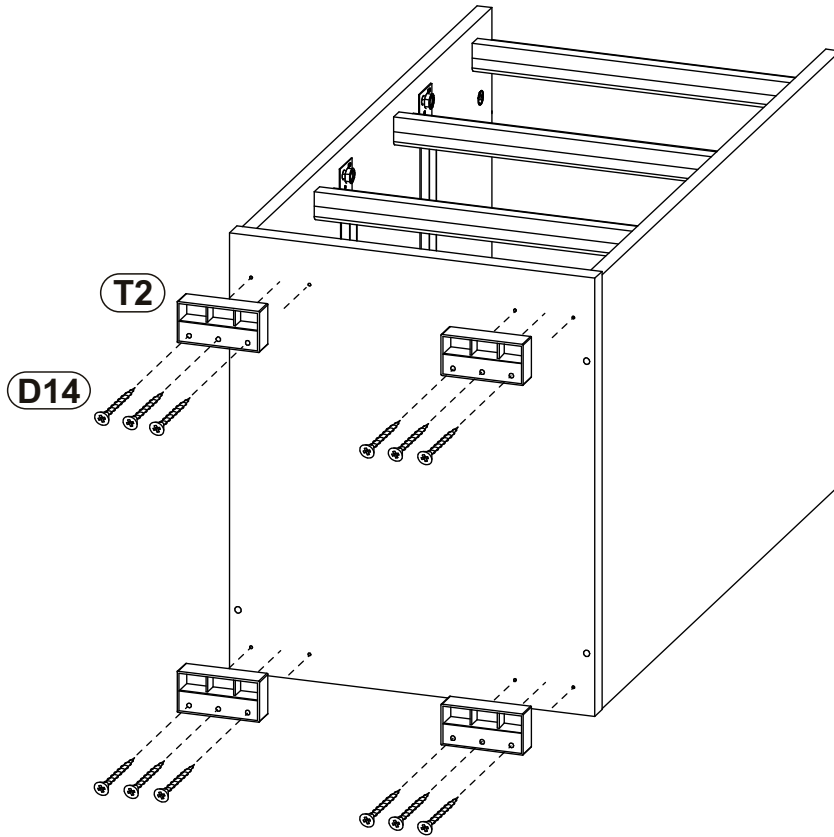
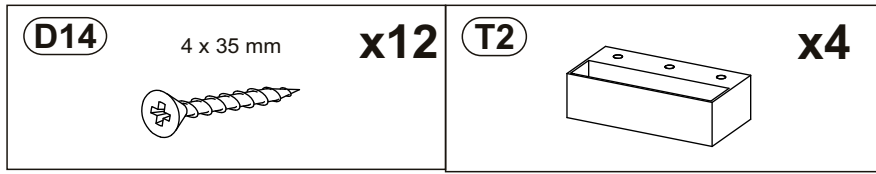
8 ▶



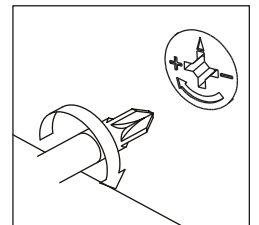
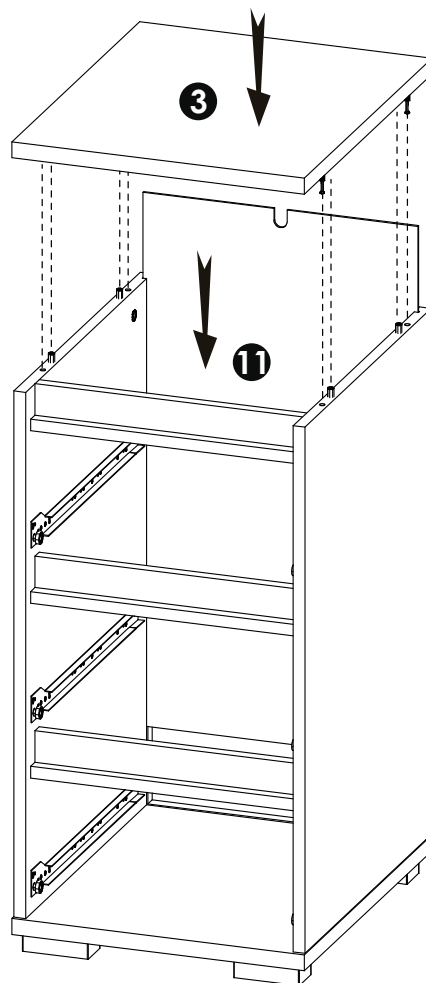
9 ▶




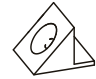
10 ▶

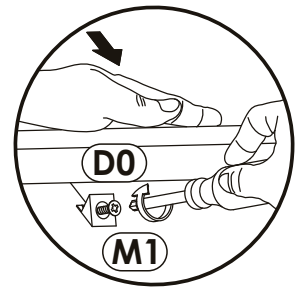
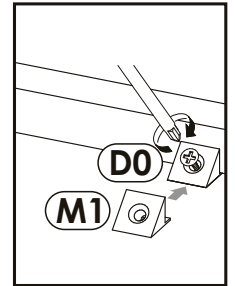
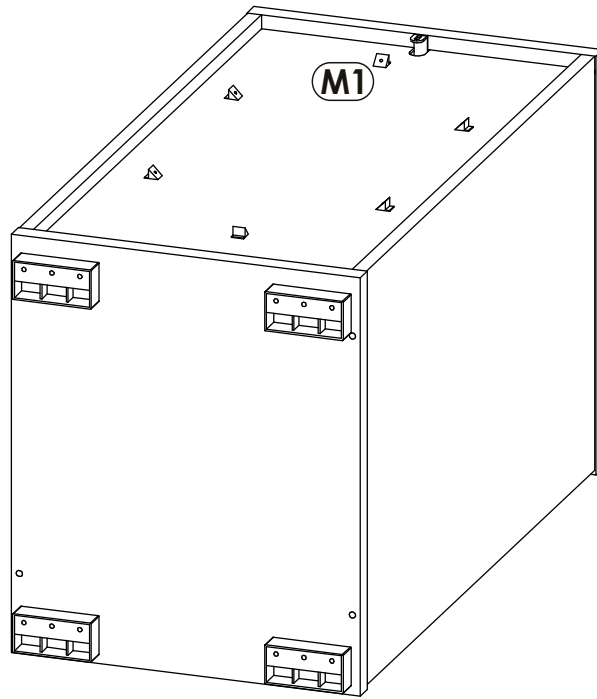
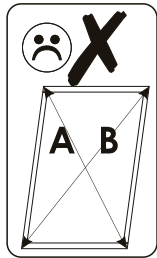
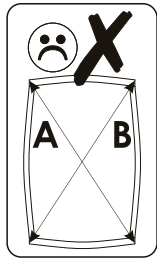
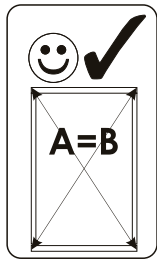


11 ▶


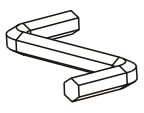


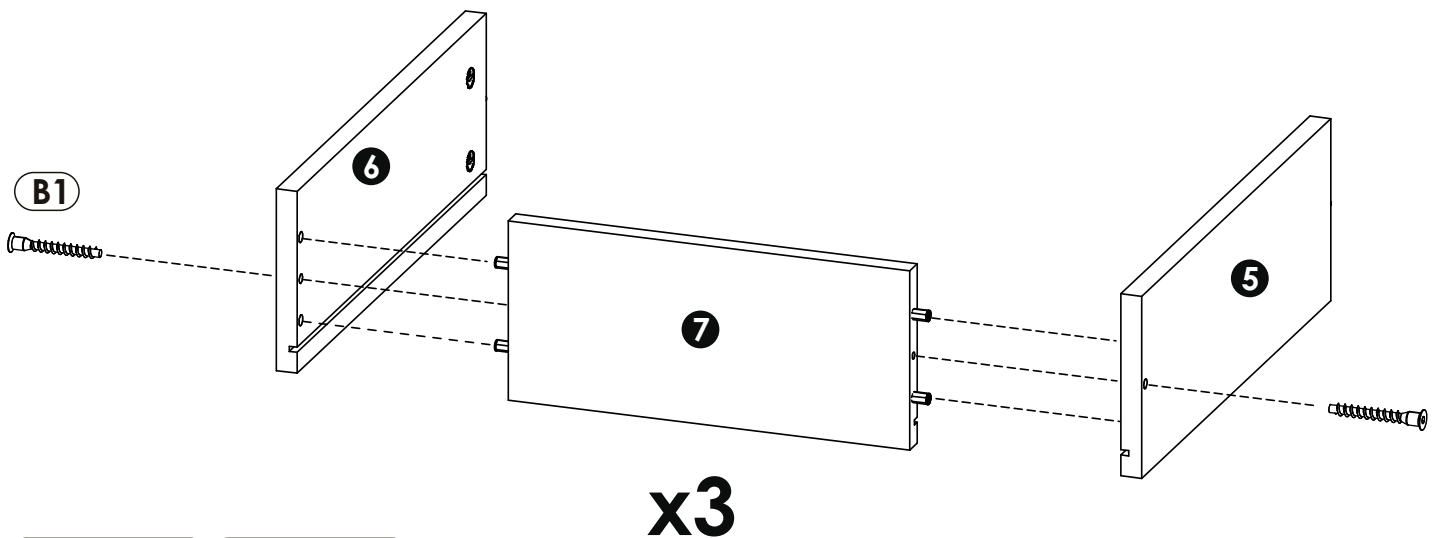
12

(D0) 3 x 15 mm 	x6	(M1) 	x6
---	-----------	--	-----------

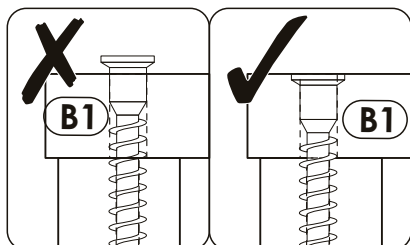


13

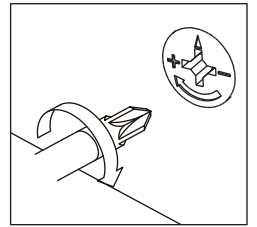
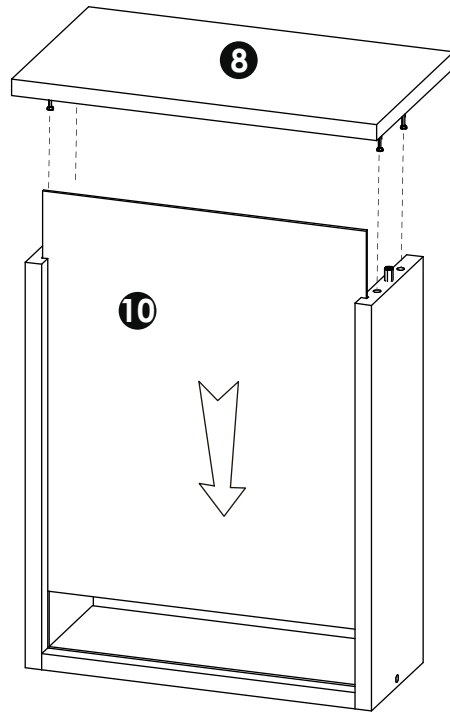
(B1) f 7 x 50 mm 	x6	(K) 4mm 	x1
---	-----------	--	-----------



x3

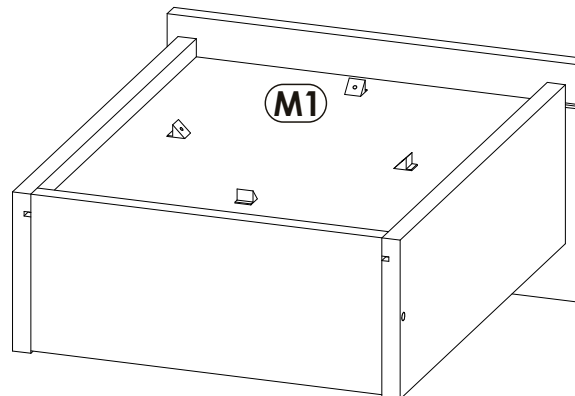
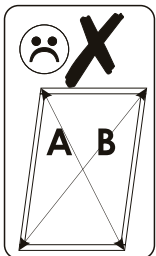
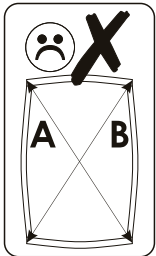
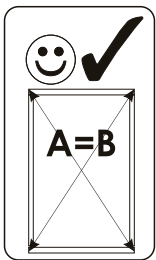
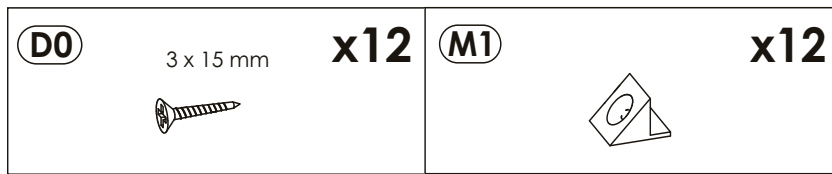


14▶

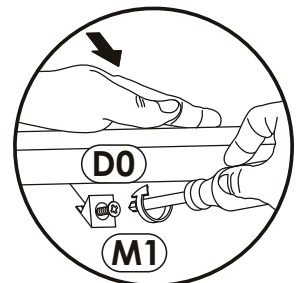
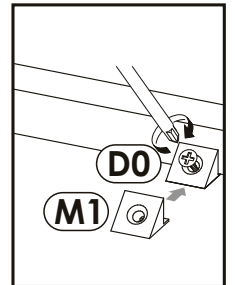


x3

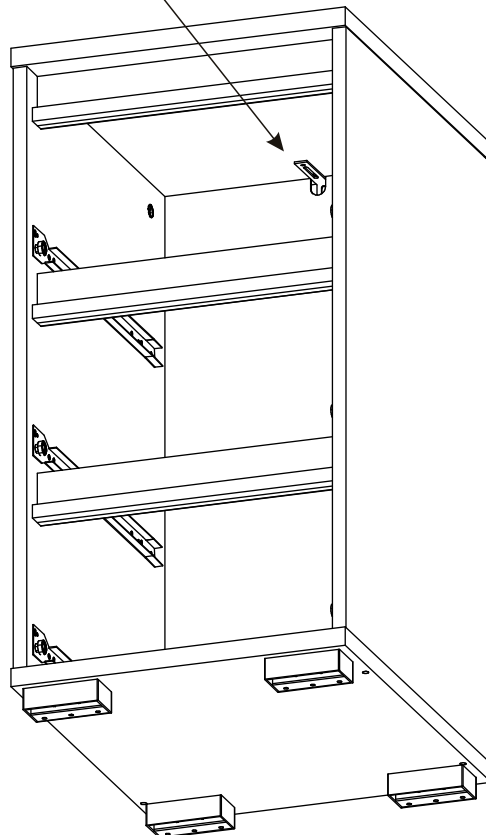
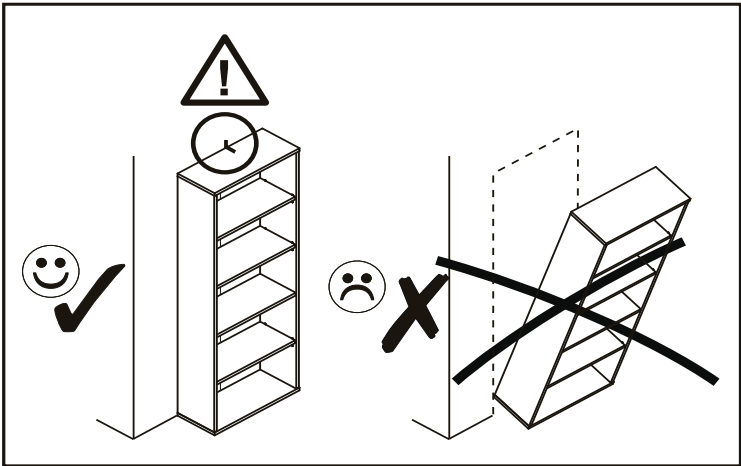
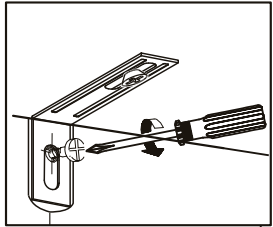
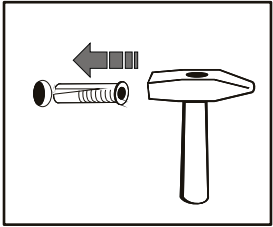
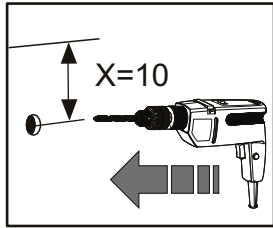
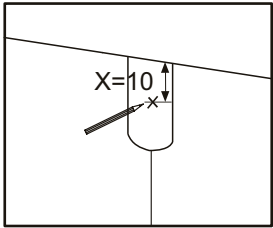
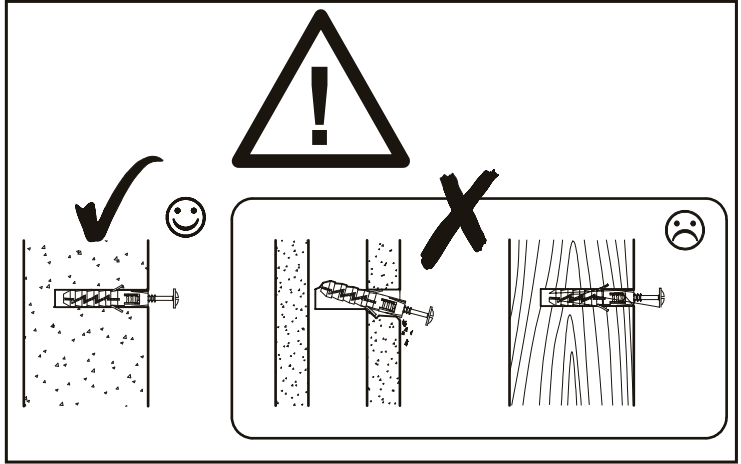
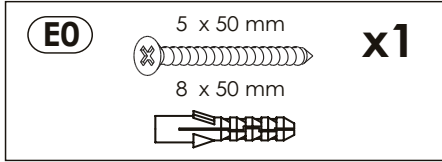
15▶



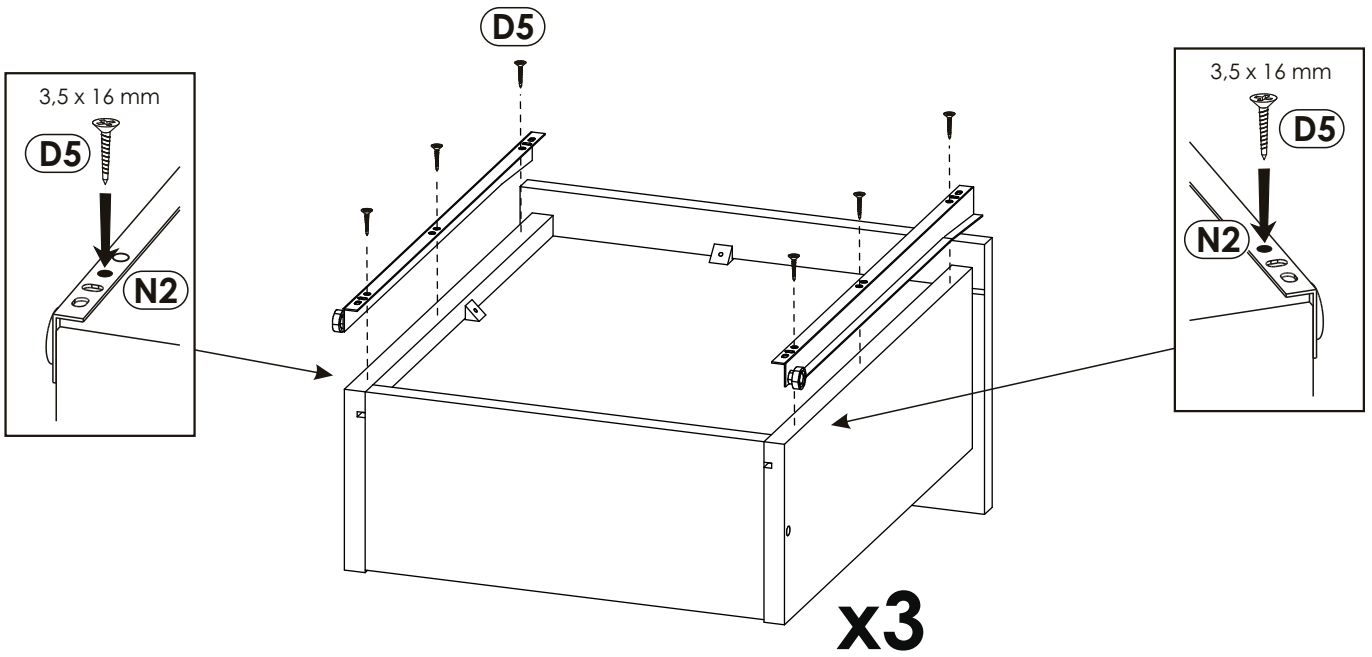
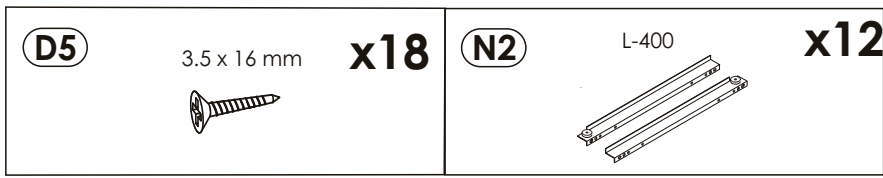
x3



16▶



17▶



18▶

