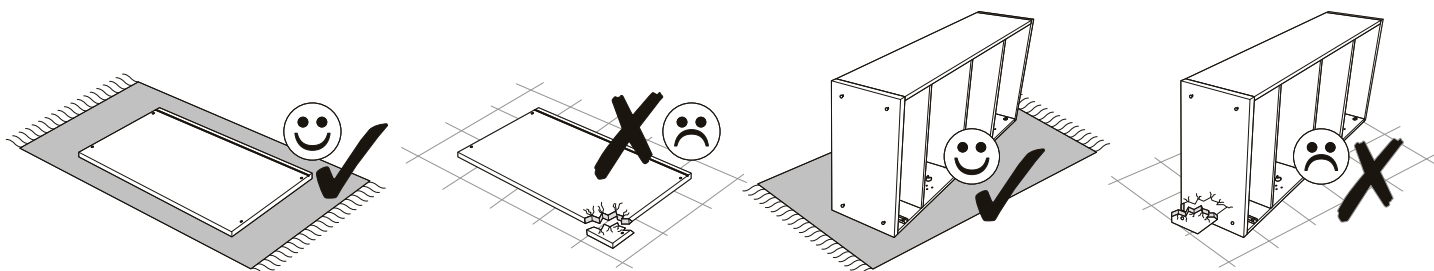
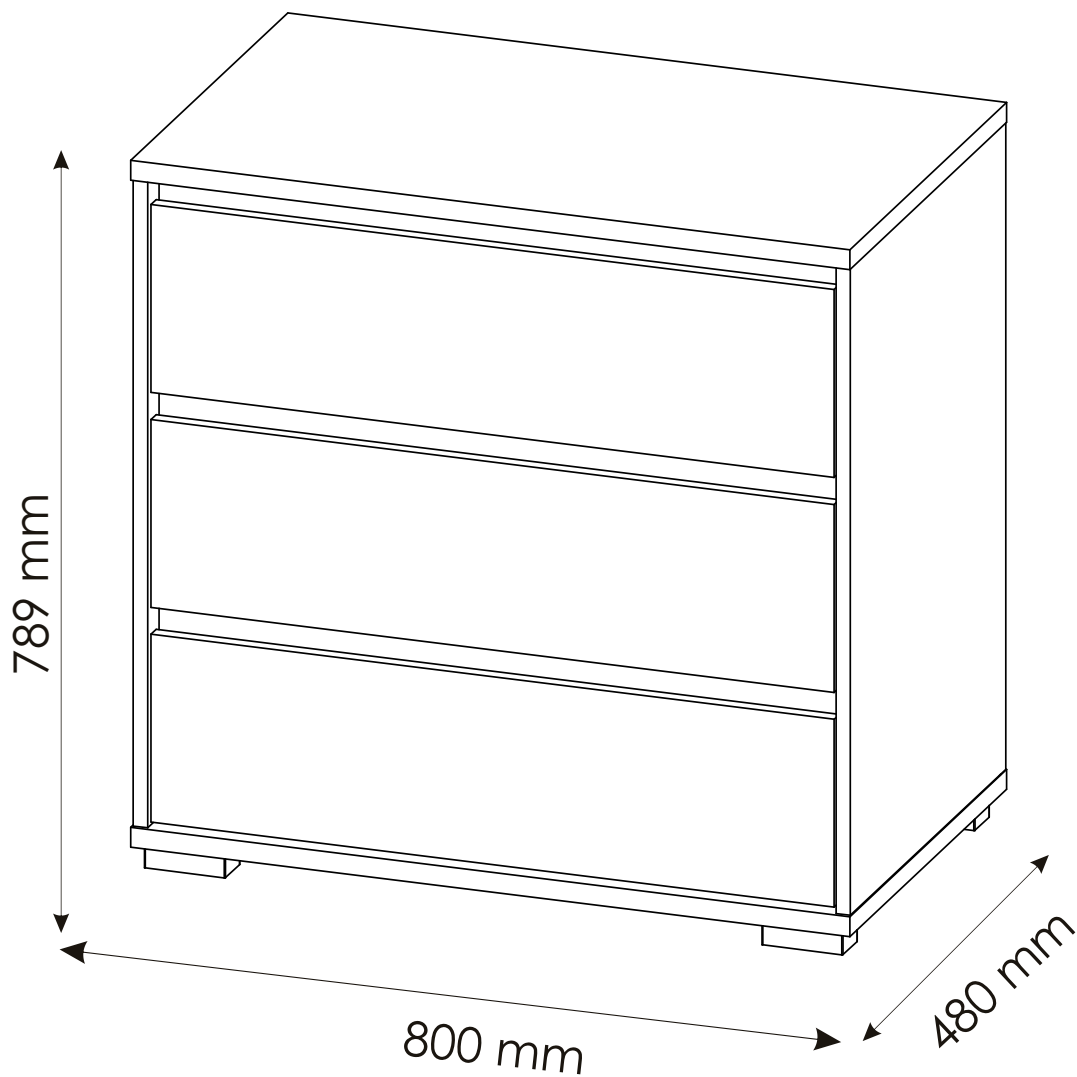
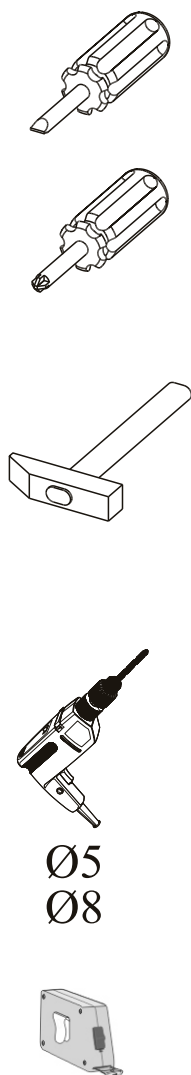
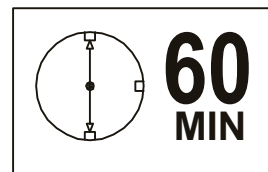
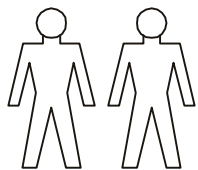

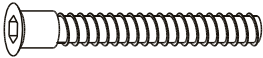
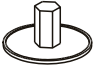
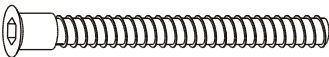









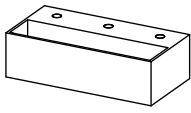

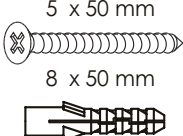
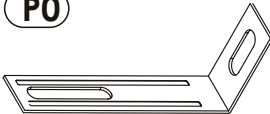
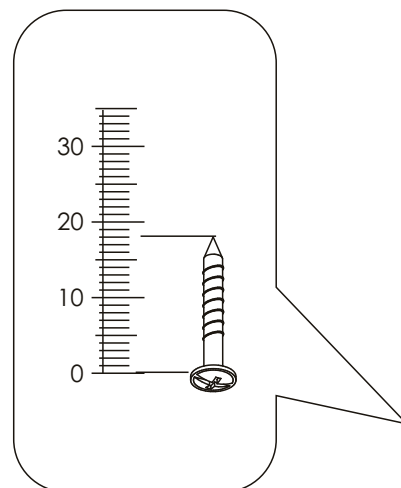
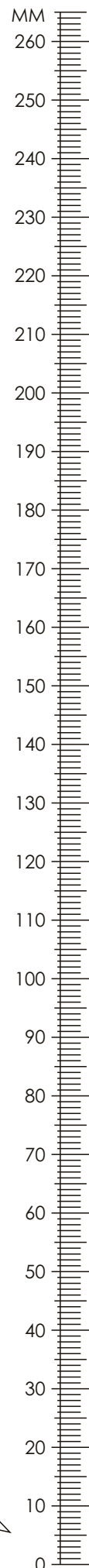


LINE 3L 800 - KOMMODE




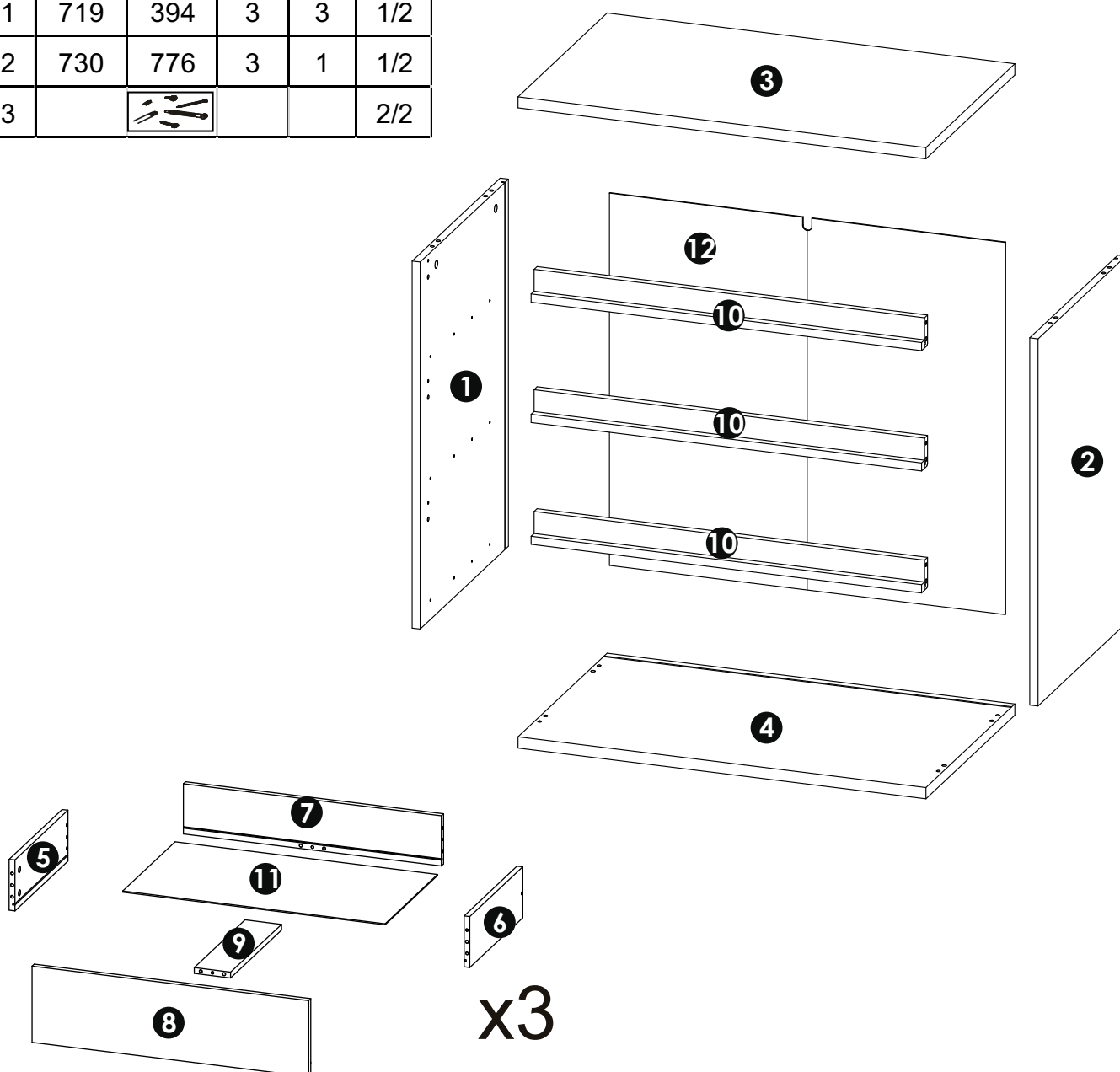
LINE 3L 800 - KOMMODE

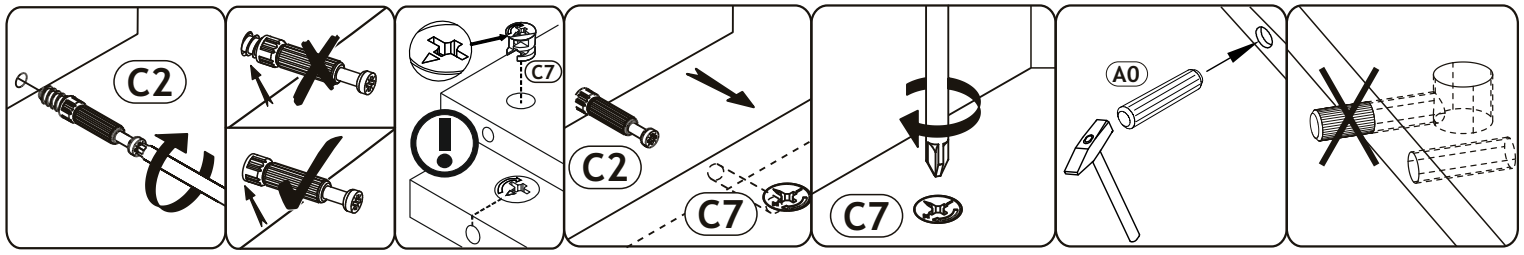
| | | |
|--|--|---|
| A0 8 x 30mm x44  | B1 f 7 x 50 mm x9  | C0 x12  |
| B2 f 7 x 70 mm x4  | C2 x25  | C7 x25 16mm  |
| D0 3 x 15 mm x28  | D21 5 x 13 mm x25  | D5 3,5 x 16 mm x18  |
| D14 4 x 35 mm x12  | K x1 4mm  | M1 x28  |
| N2 L-400 x3  | T2 x4  | U0 x6  |
| E0 x1 5 x 50 mm 8 x 50 mm  | P0 x1  | |



LINE 3L 800 - KOMMODE

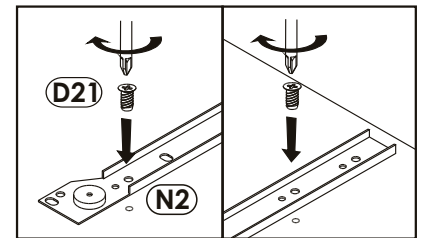
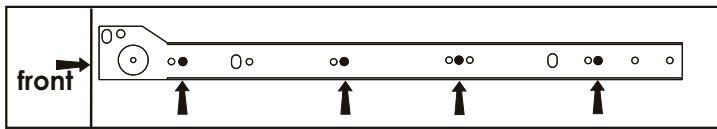
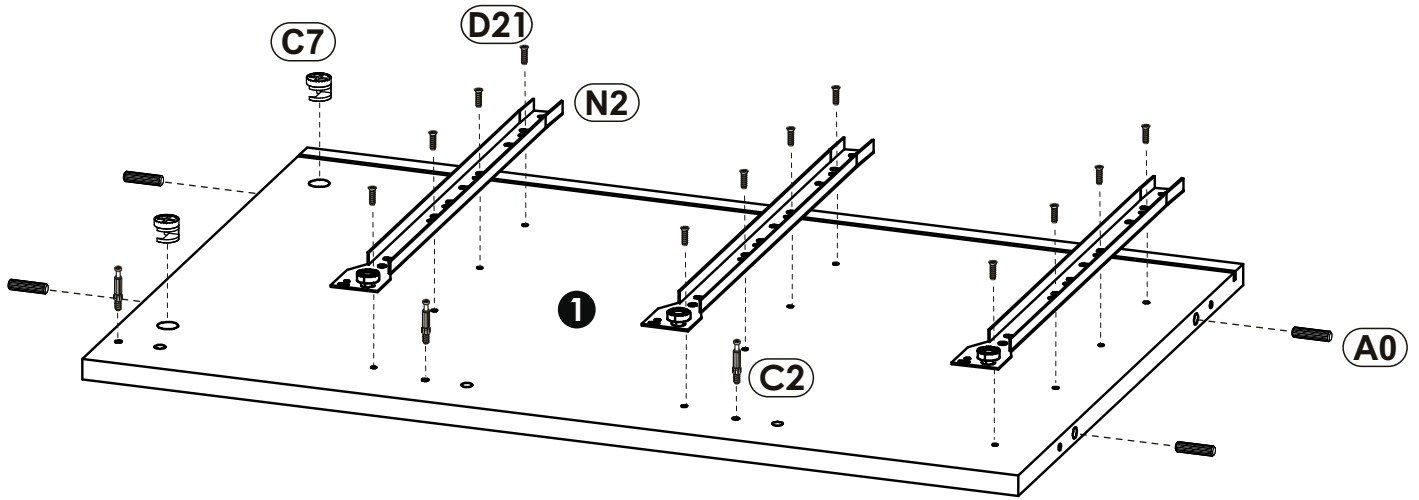
| | | | | | |
|----|-----|---|----|---|-----|
| 1 | 720 | 475 | 16 | 1 | 2/2 |
| 2 | 720 | 475 | 16 | 1 | 2/2 |
| 3 | 800 | 480 | 22 | 1 | 1/2 |
| 4 | 800 | 480 | 22 | 1 | 1/2 |
| 5 | 400 | 140 | 16 | 3 | 2/2 |
| 6 | 400 | 140 | 16 | 3 | 2/2 |
| 7 | 709 | 138 | 16 | 3 | 2/2 |
| 8 | 760 | 209 | 16 | 3 | 1/2 |
| 9 | 384 | 100 | 16 | 3 | 2/2 |
| 10 | 766 | 59 | 32 | 3 | 1/2 |
| 11 | 719 | 394 | 3 | 3 | 1/2 |
| 12 | 730 | 776 | 3 | 1 | 1/2 |
| 13 | |  | | | 2/2 |





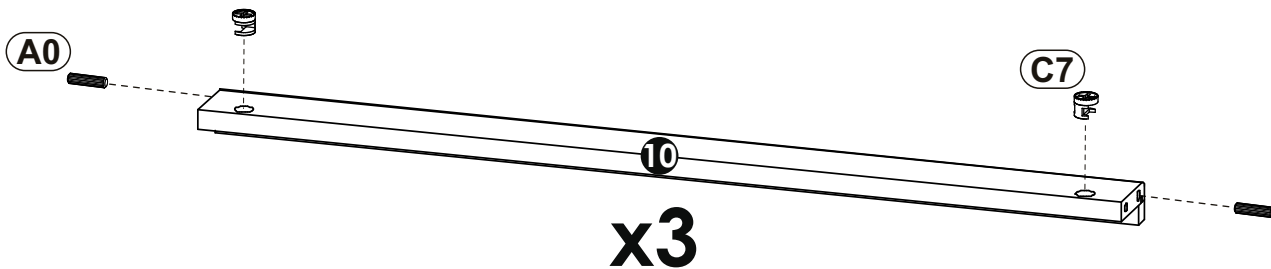
1

| | | | | | | | |
|------------|-----------|------------|-----------|-------|-----------|-----------|-----------|
| A0 | 8 x 30mm | x4 | C7 | 16mm | x2 | C2 | x3 |
| D21 | 5 x 13 mm | x12 | N2 | L-400 | x3 | | |



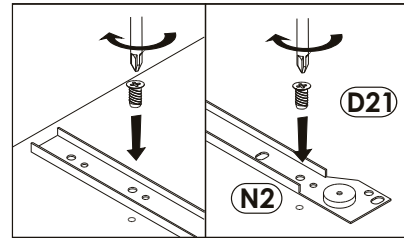
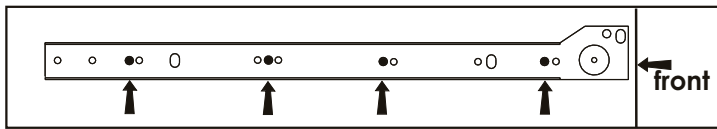
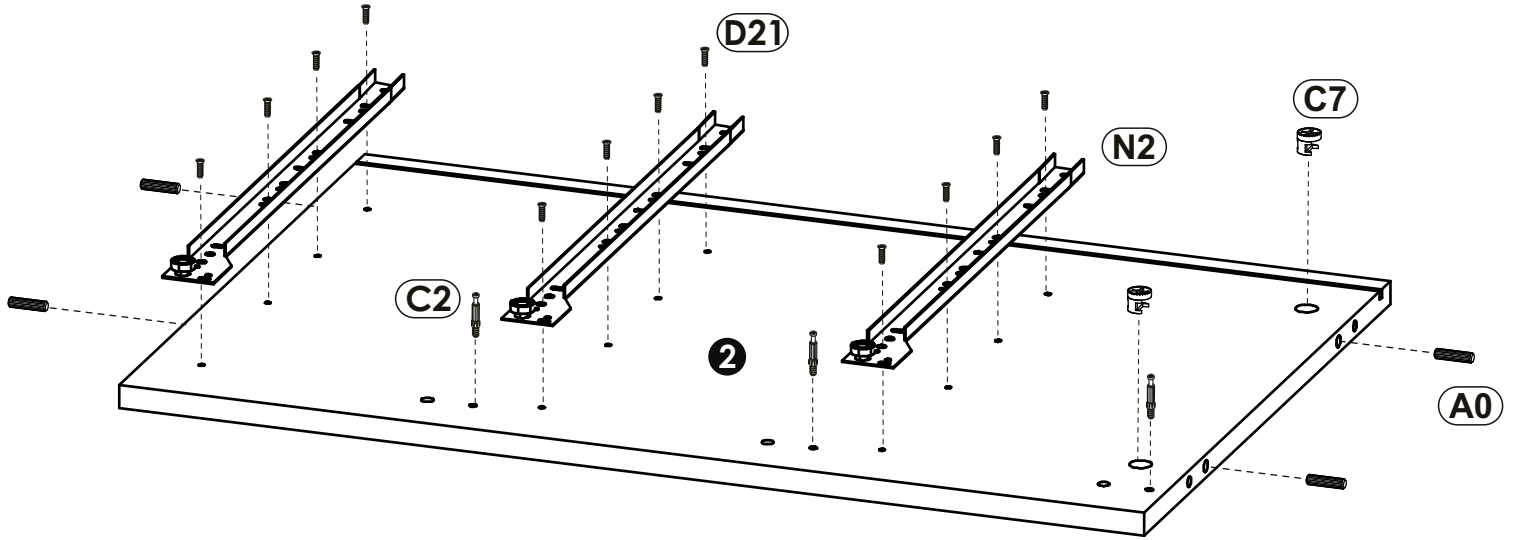
2

| | | | | | |
|-----------|----------|-----------|-----------|------|-----------|
| A0 | 8 x 30mm | x6 | C7 | 16mm | x6 |
|-----------|----------|-----------|-----------|------|-----------|

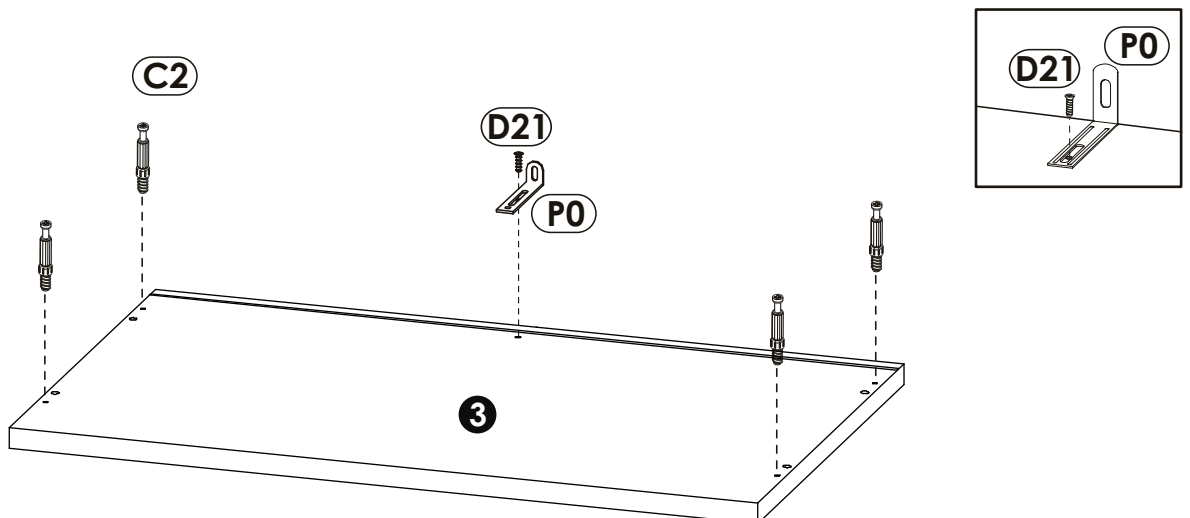


3 ▶



| | | | | | | | |
|------------|-----------|------------|-----------|-------|-----------|-----------|-----------|
| A0 | 8 x 30mm | x4 | C7 | 16mm | x2 | C2 | x3 |
| D21 | 5 x 13 mm | x12 | N2 | L-400 | x3 | | |

**4** ▶

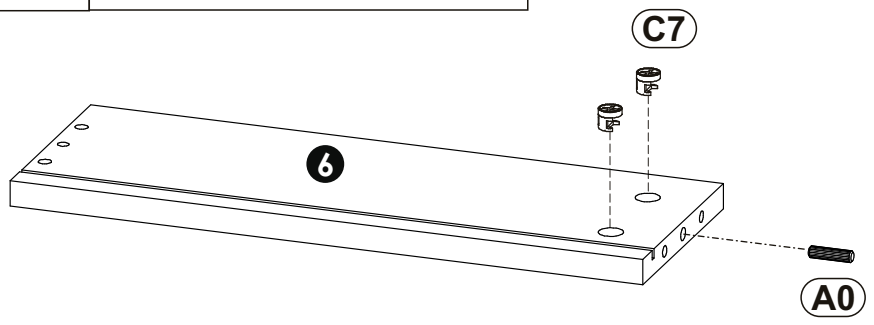
| | | | | | | | |
|-----------|--|-----------|------------|-----------|-----------|-----------|-----------|
| C2 | | x4 | D21 | 5 x 13 mm | x1 | P0 | x1 |
|-----------|--|-----------|------------|-----------|-----------|-----------|-----------|



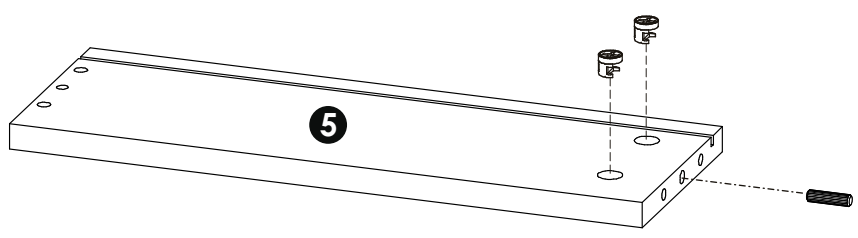
5▶

| | | | | |
|---|----------|-----------|-------------|---|
| (A0) | 8 x 30mm | x6 | (C7) | x12 |
|  | | | 16mm |  |

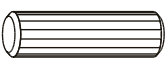
x3



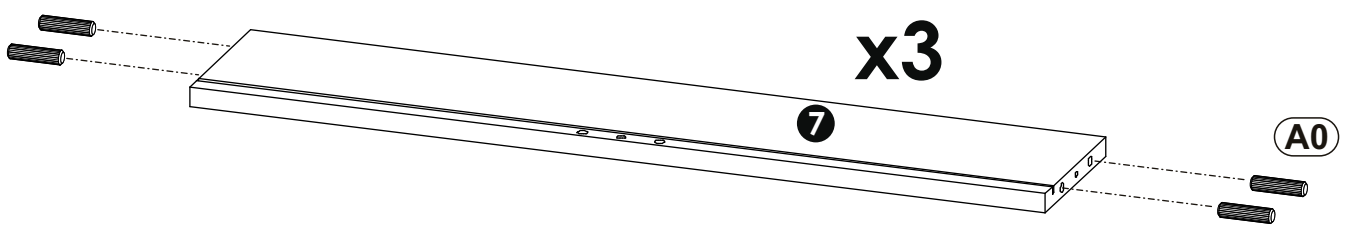
x3





6▶

| | | |
|---|----------|------------|
| (A0) | 8 x 30mm | x12 |
|  | | |

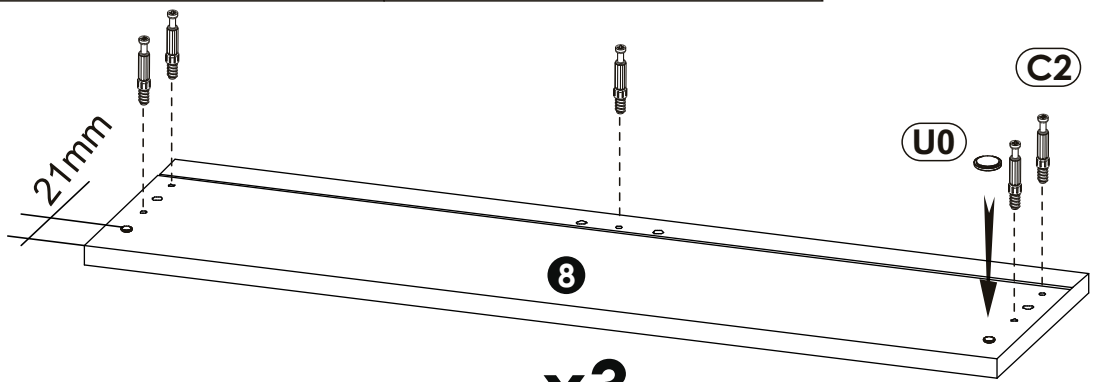
x3



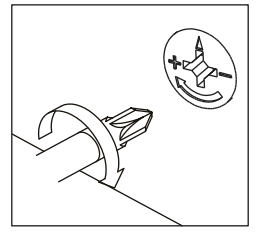
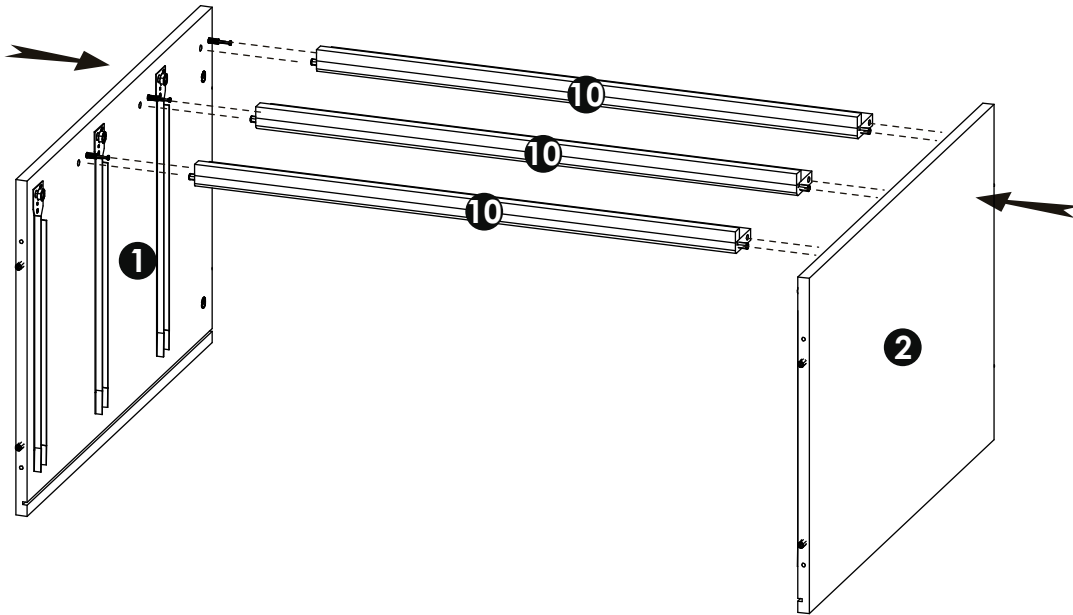
7▶

| | | | |
|---|------------|---|-----------|
| (C2) | x15 | (U0) | x6 |
|  | |  | |

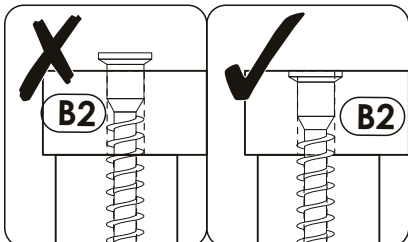
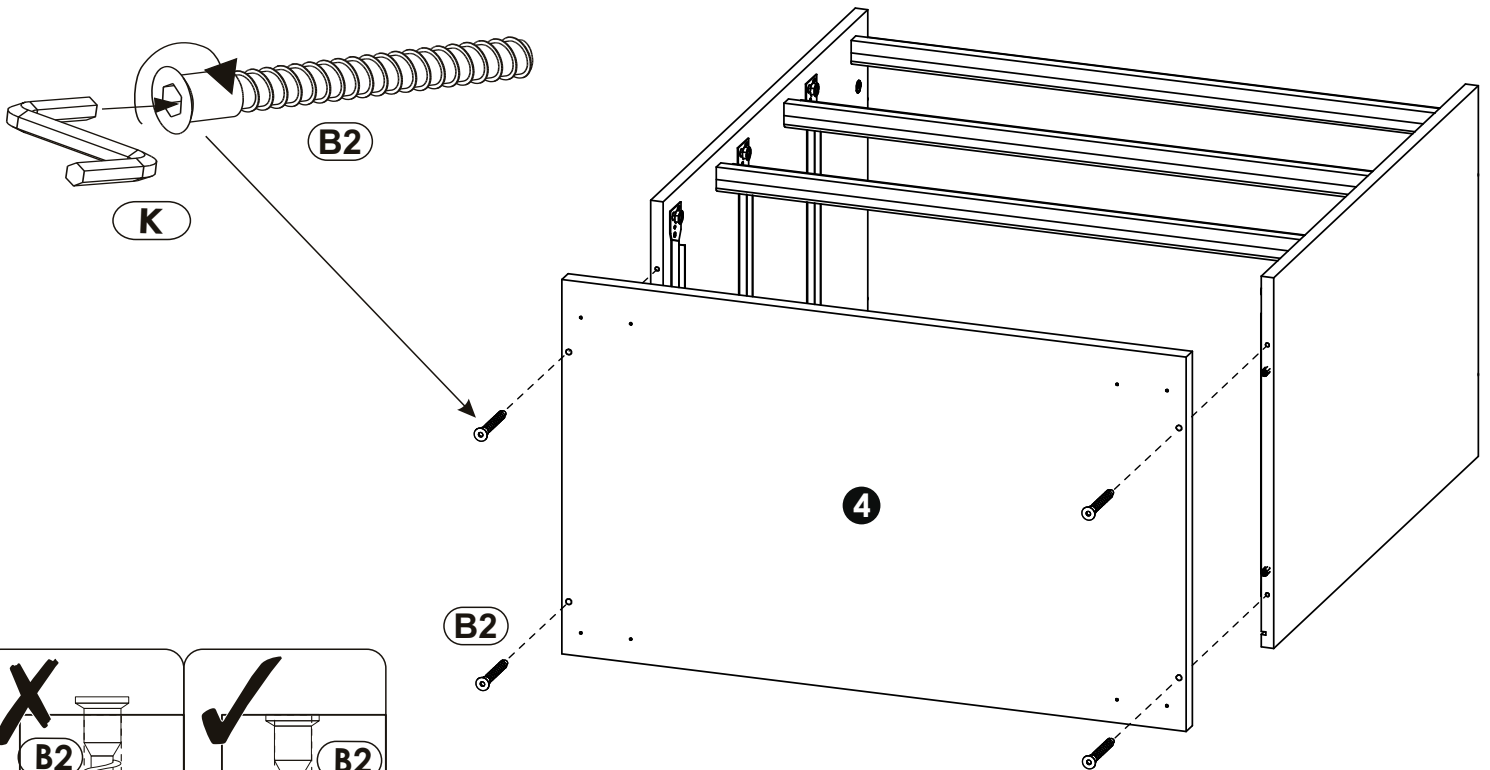
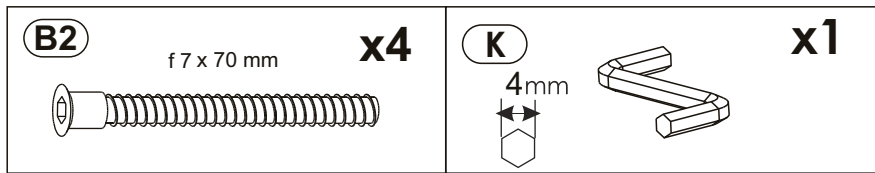
x3



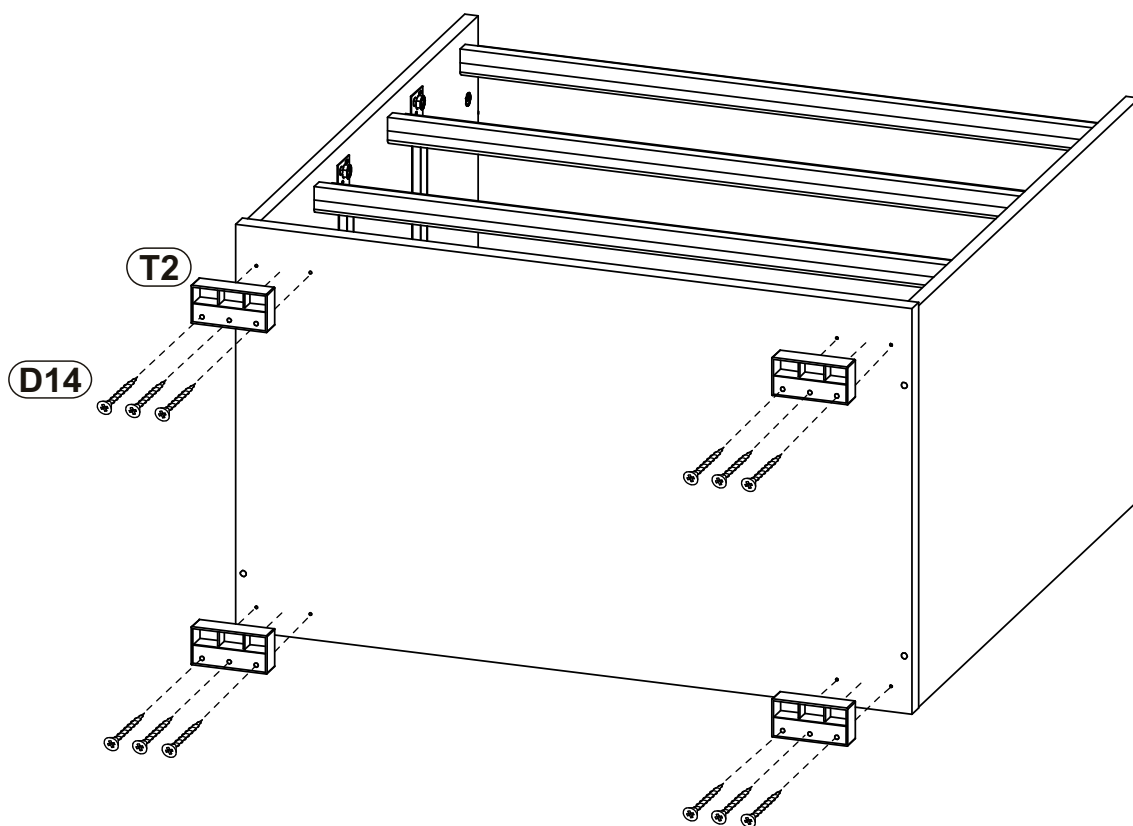
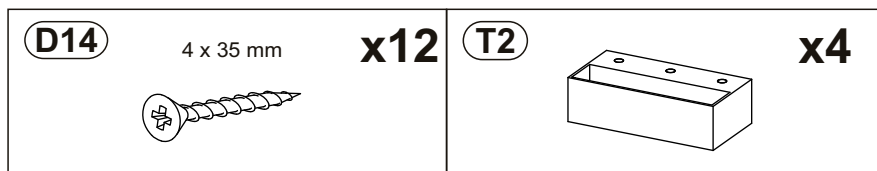
8 ▶



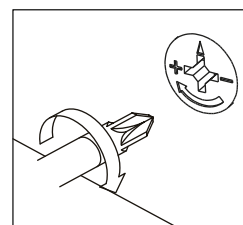
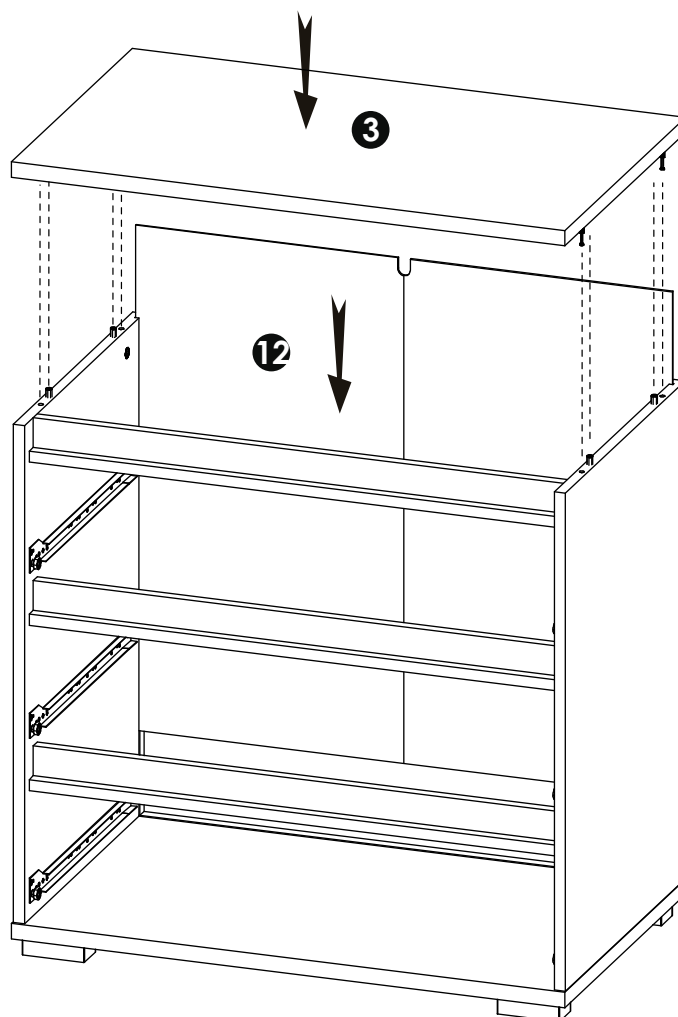
9 ▶





10 ▶

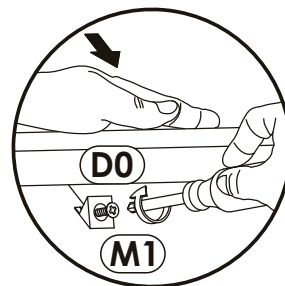
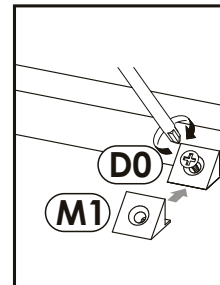
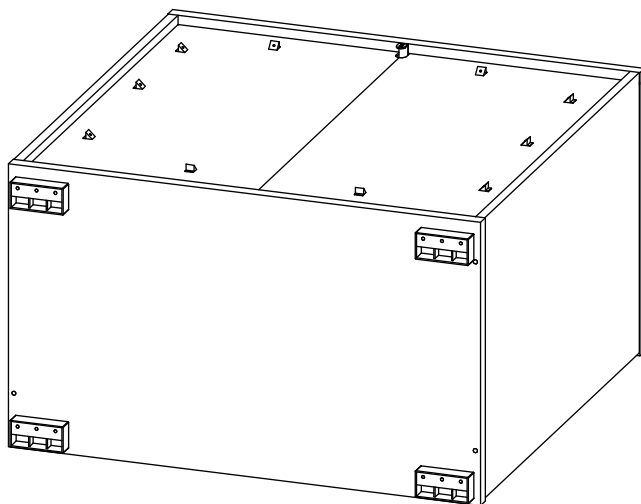
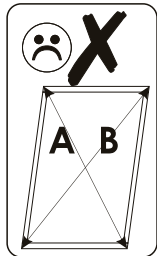
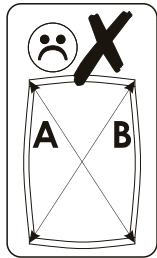
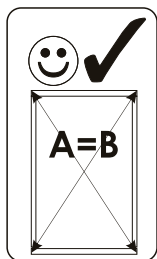


11 ▶


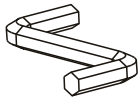


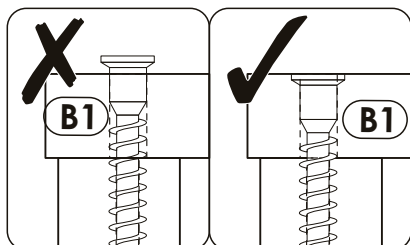
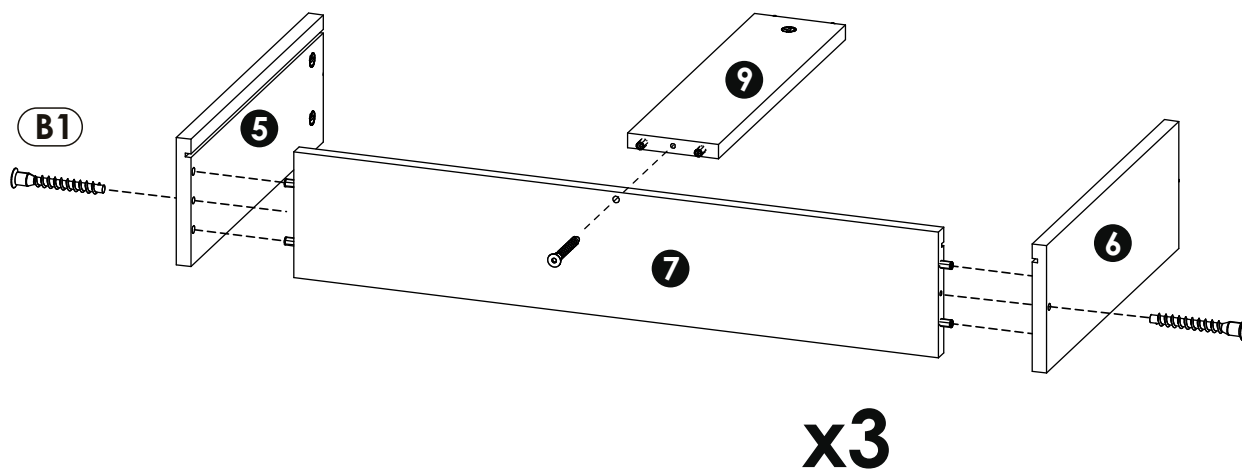
12▶

| | |
|---|---|
| <p>(D0) 3 x 15 mm x10</p>  | <p>(M1) x10</p>  |
|---|---|

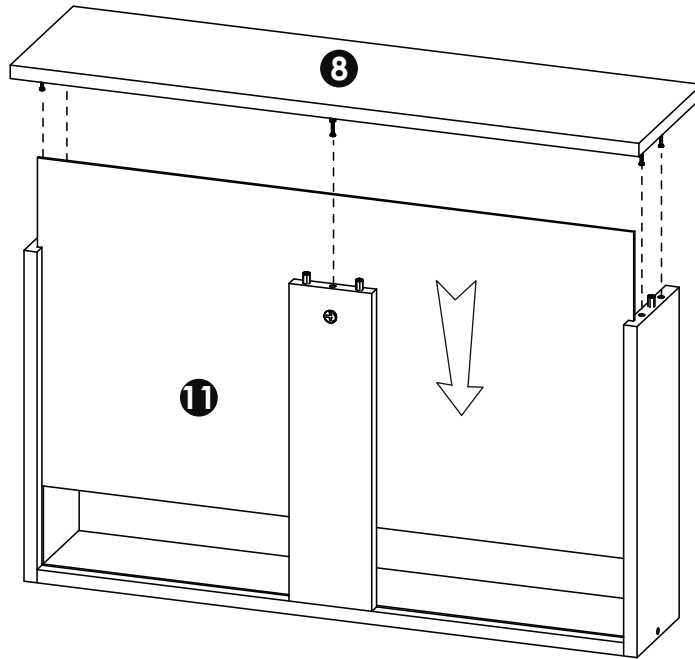
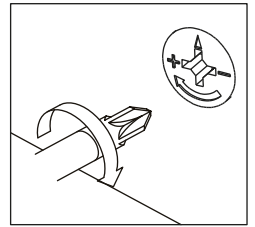


13▶

| | |
|--|---|
| <p>(B1) f 7 x 50 mm x9</p>  | <p>(K) 4mm x1</p>  |
|--|---|

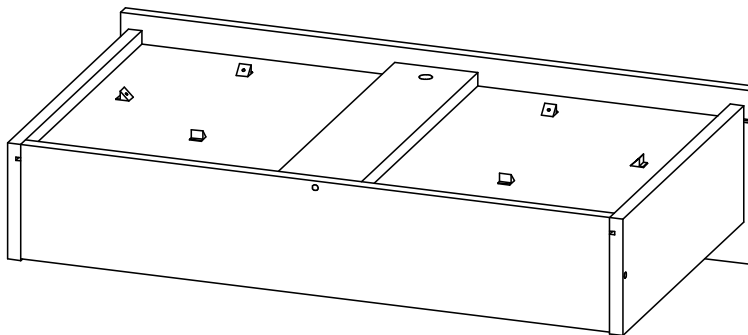
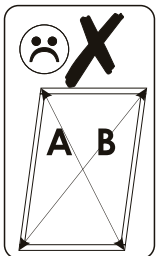
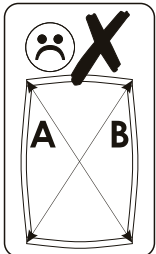
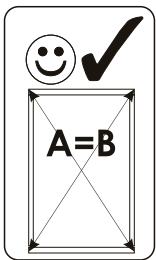
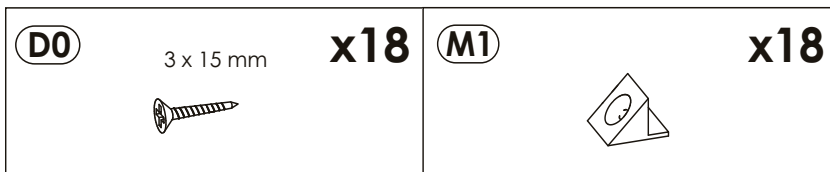


14▶

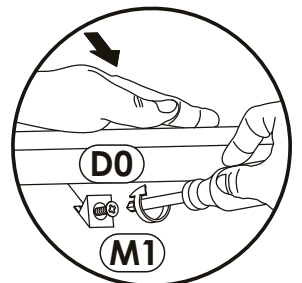
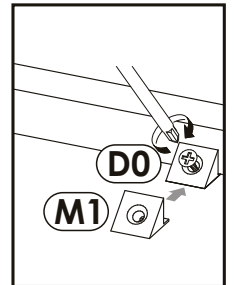


x3

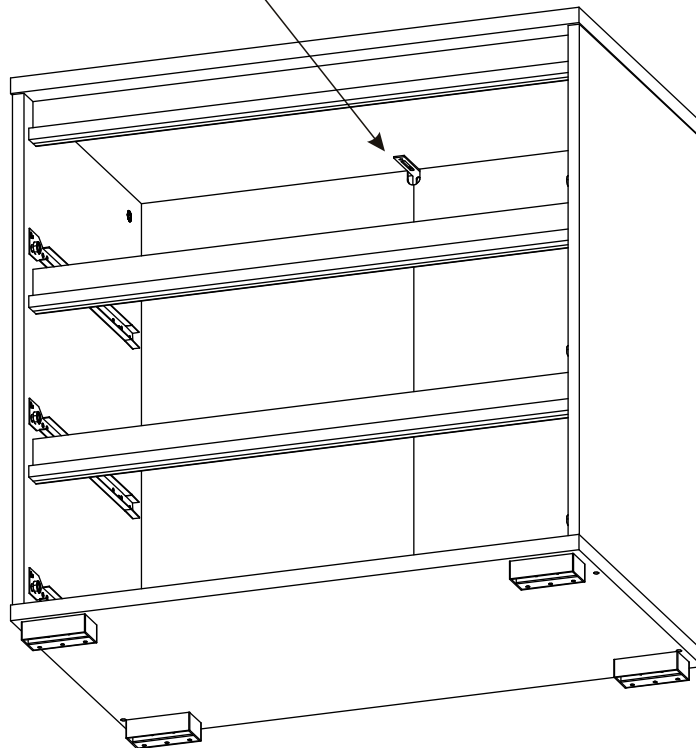
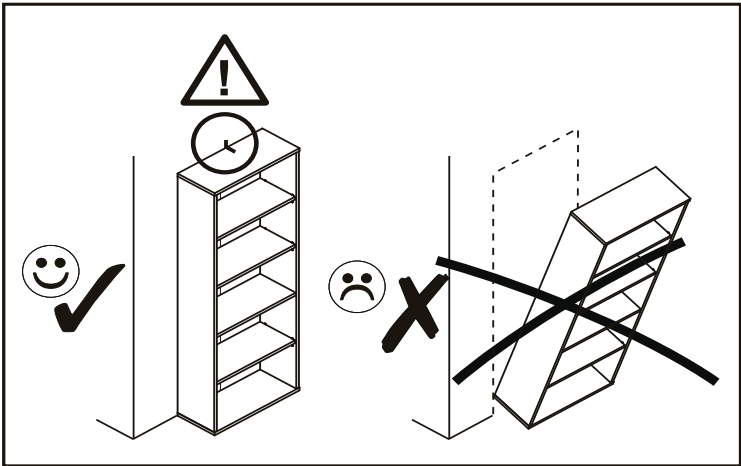
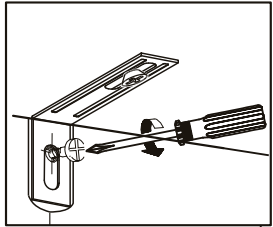
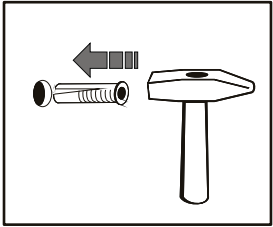
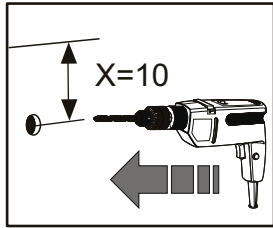
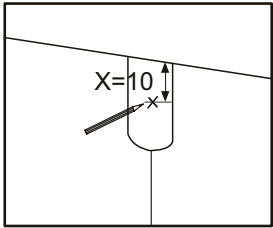
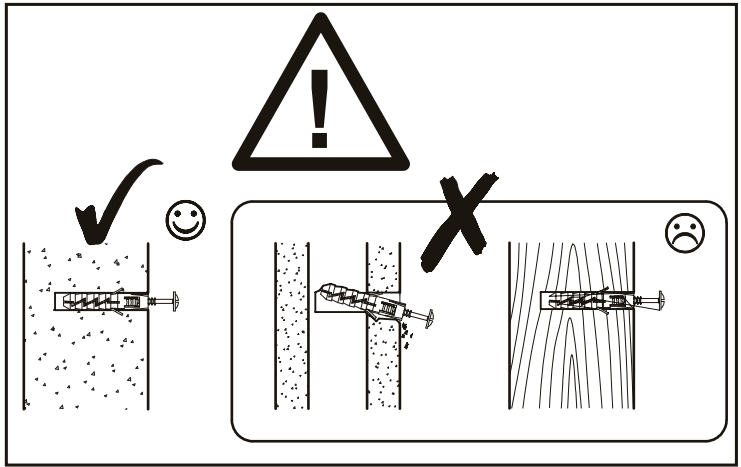
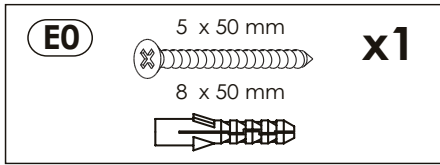
15▶



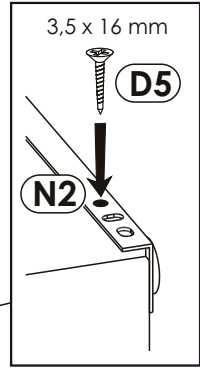
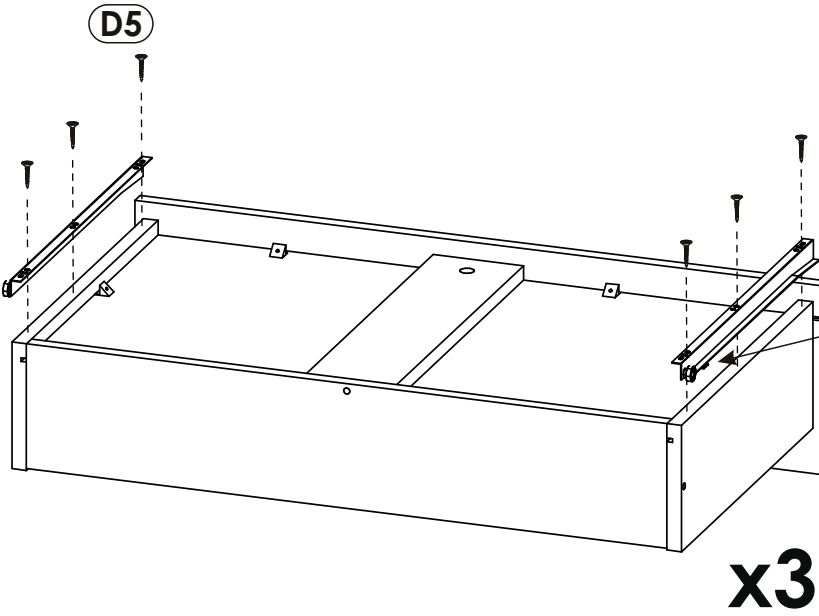
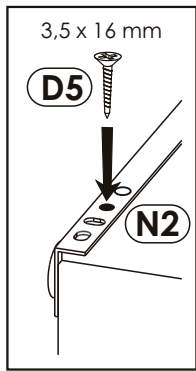
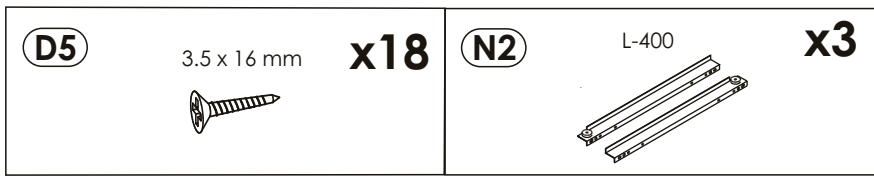
x3



16▶



17▶



18▶

