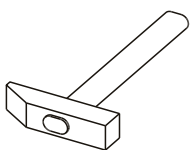
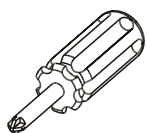
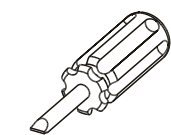
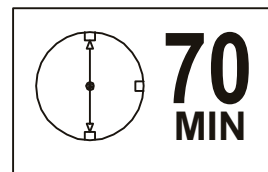
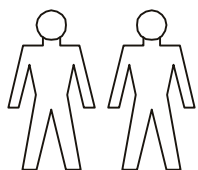
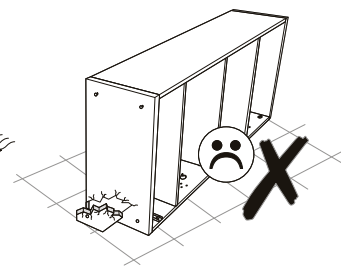
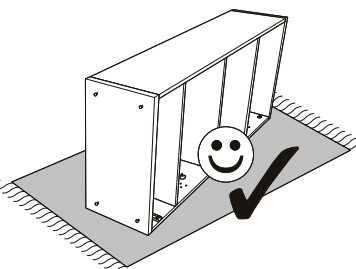
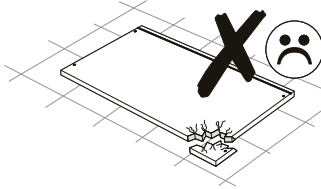
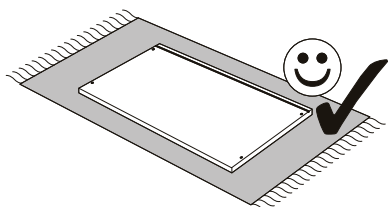
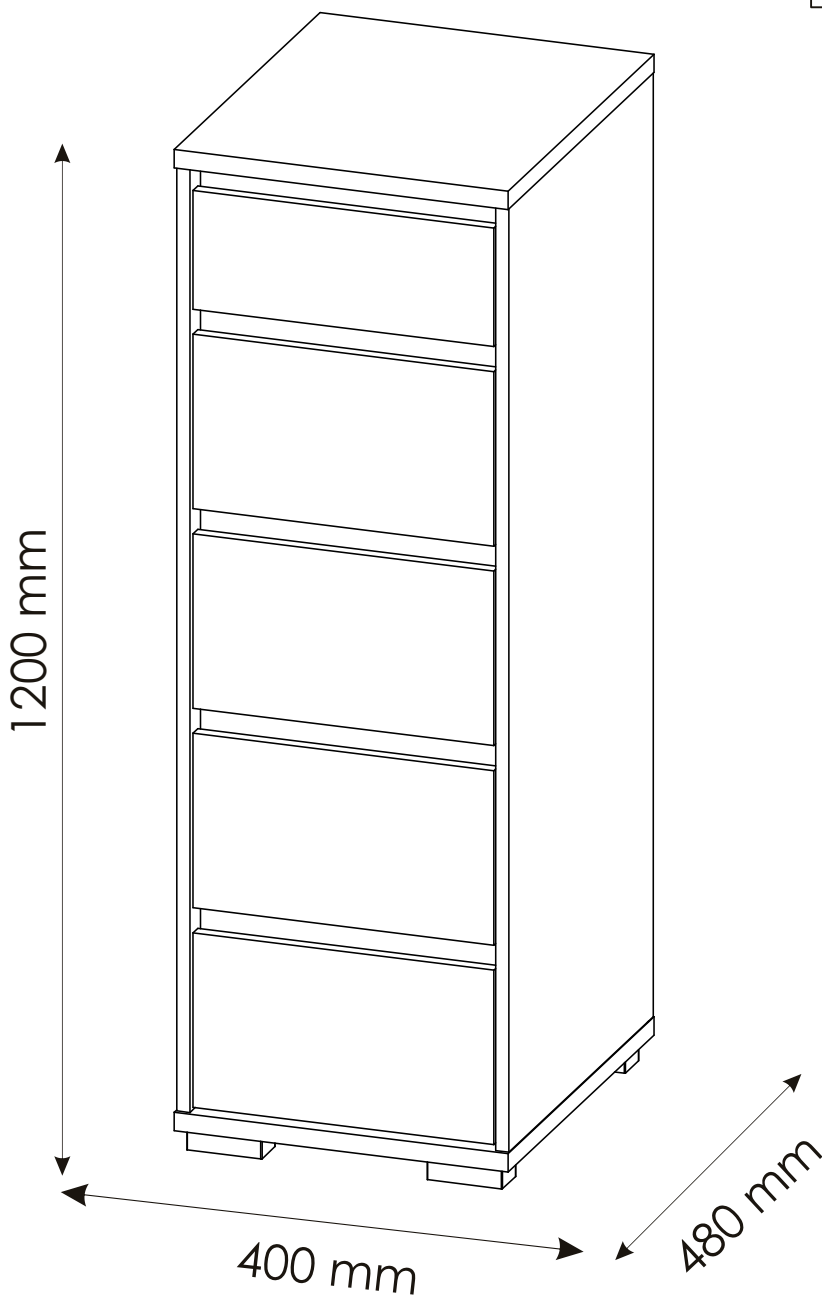



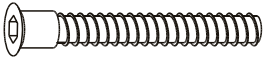
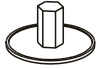
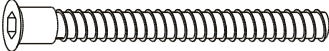









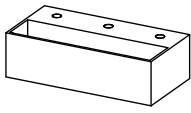

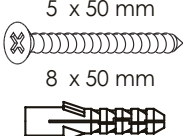
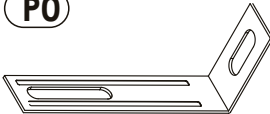
LINE 5L - KOMMODE

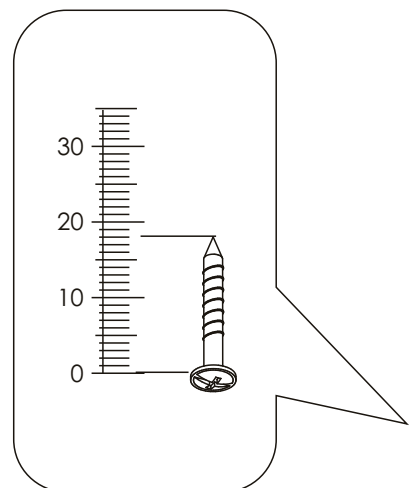
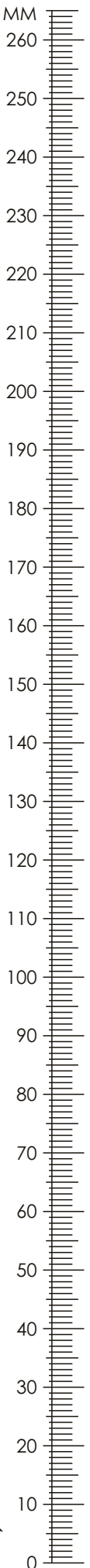


Ø5
Ø8




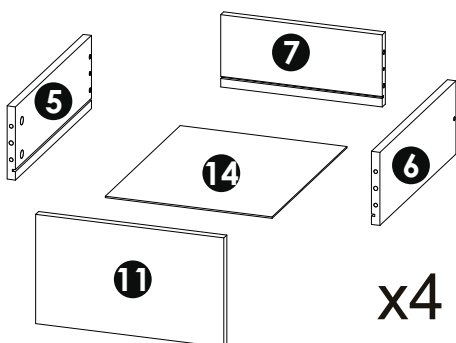
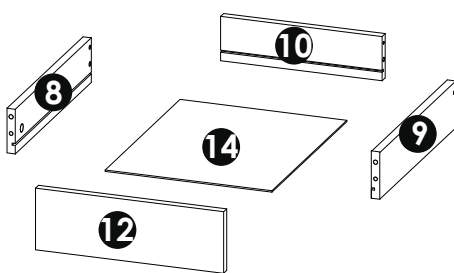
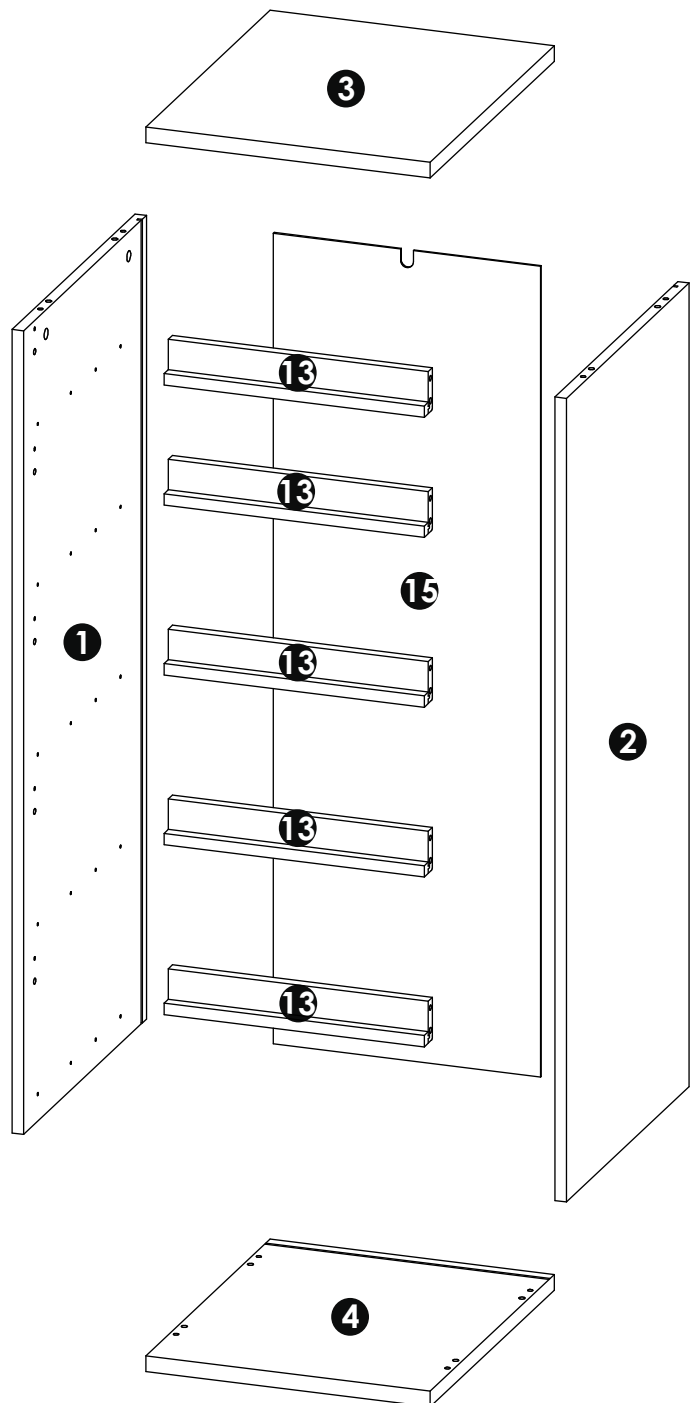
LINE 5L - KOMMODE

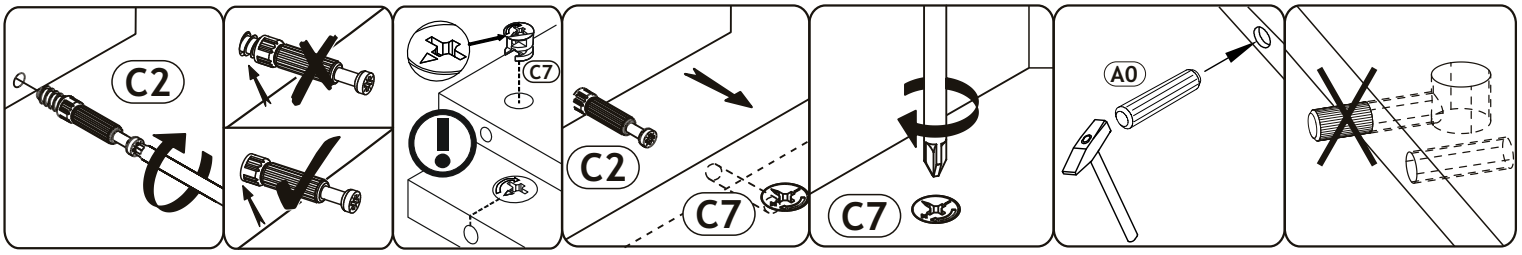
A0 8 x 30mm x46 	B1 f 7 x 50 mm x10 	C0  x18
B2 f 7 x 70 mm x4 	C2  x32	C7 16mm  x32
D0 3 x 15 mm x32 	D21 5 x 13 mm x41 	D5 3,5 x 16 mm x30 
D14 4 x 35 mm x12 	K 4mm  x1	M1  x32
N2 L-400 x5 	T2  x4	U0  x10
E0 5 x 50 mm x1 8 x 50 mm 	P0  x1	








LINE 5L - KOMMODE

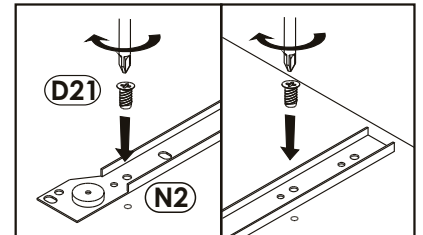
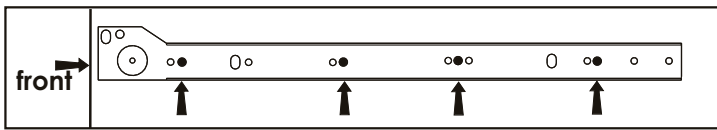
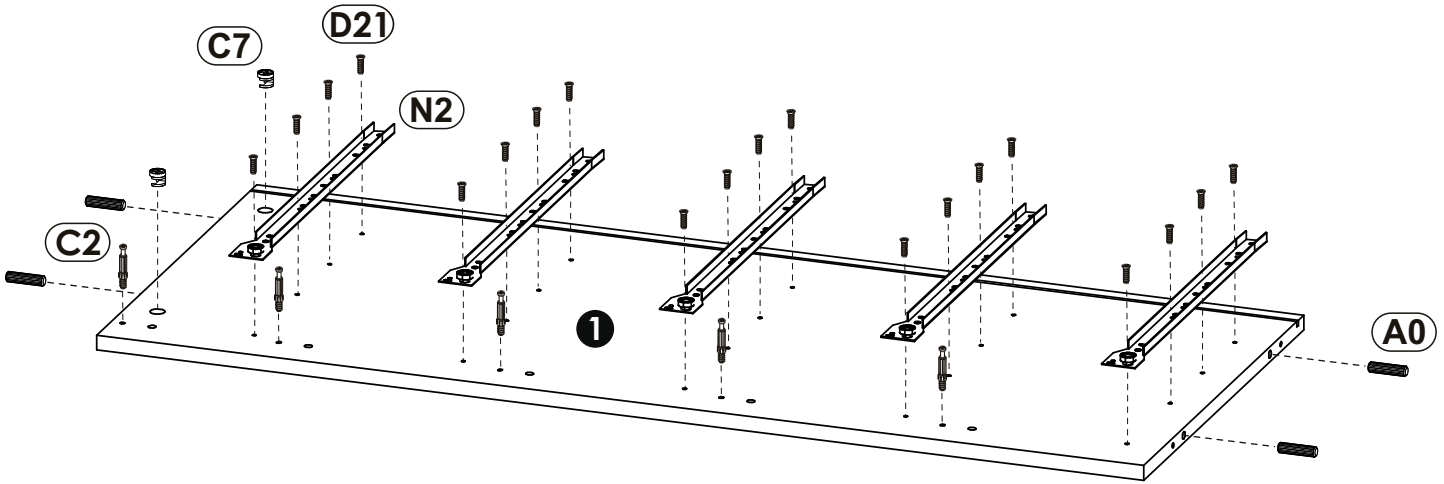
1	1131	475	16	1	1/2
2	1131	475	16	1	1/2
3	400	480	22	1	2/2
4	400	480	22	1	2/2
5	400	140	16	4	2/2
6	400	140	16	4	2/2
7	309	138	16	4	1/2
8	400	90	16	1	1/2
9	400	90	16	1	1/2
10	309	88	16	1	1/2
11	360	209	16	4	1/2
12	360	142	16	1	1/2
13	366	59	32	5	1/2
14	319	394	3	5	1/2
15	1141	376	3	1	1/2
16					2/2







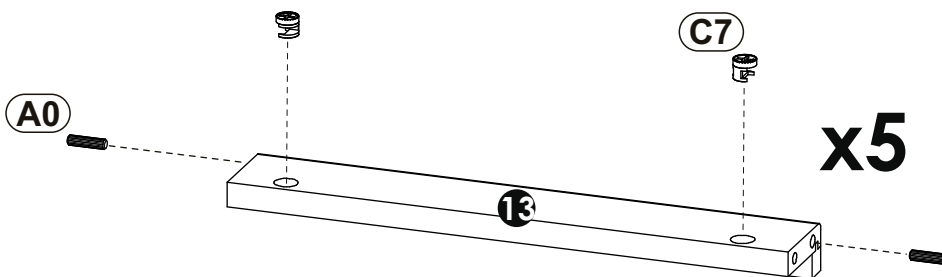
1

A0 8 x 30mm 	x4	C7 16mm 	x2	C2 	x5
D21 5 x 13 mm 	x20	N2 L-400 	x5		



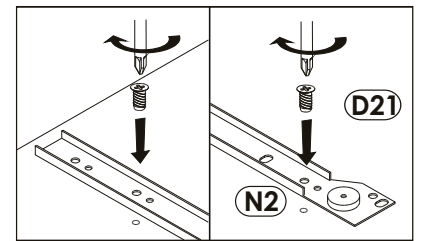
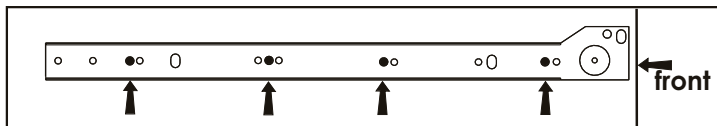
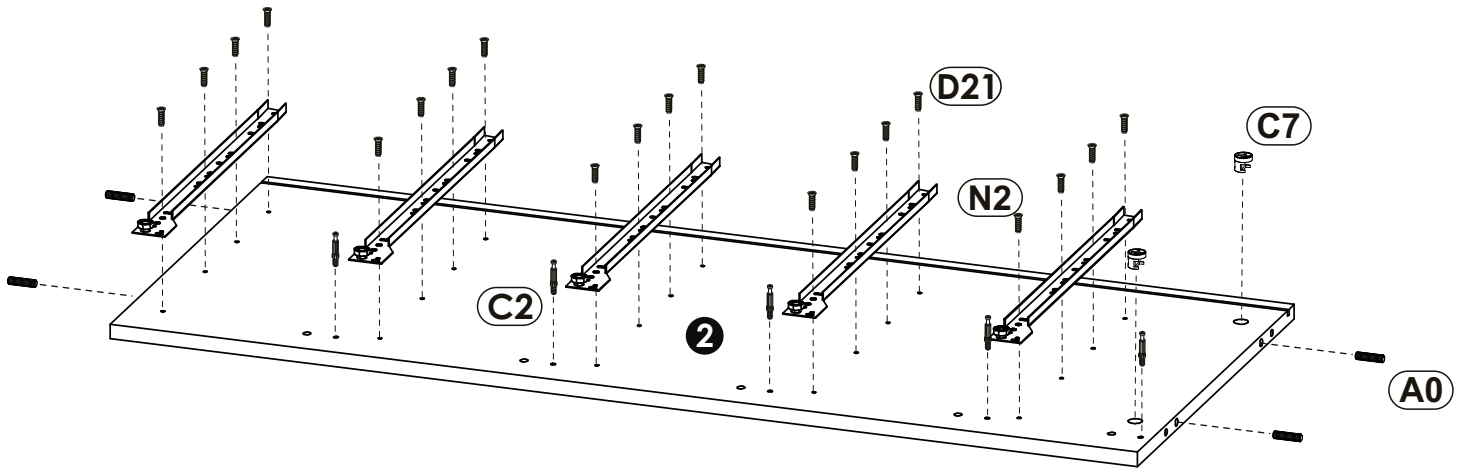
2

A0 8 x 30mm 	x10	C7 16mm 	x10
--	------------	--	------------

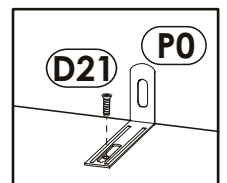
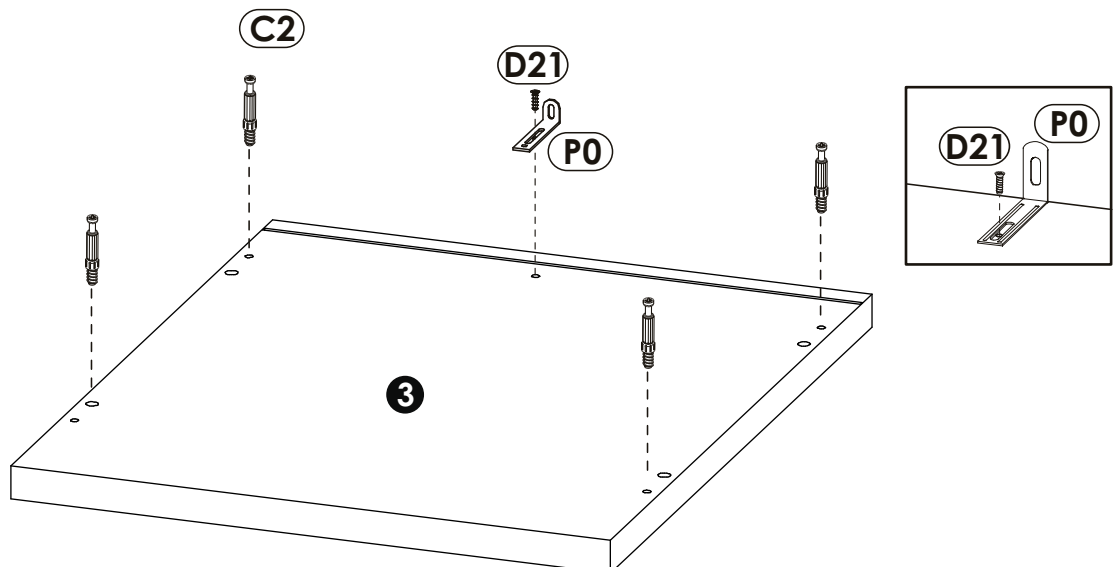


3 ▶

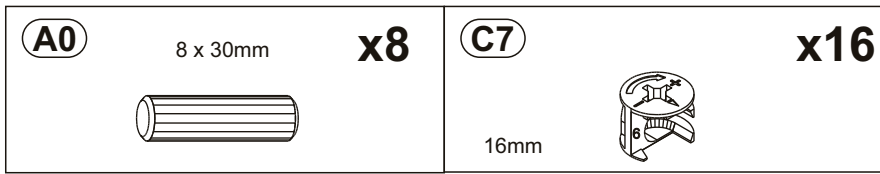
A0	8 x 30mm	x4	C7	16mm	x2	C2	x5
D21	5 x 13 mm	x20	N2	L-400	x5		

**4** ▶

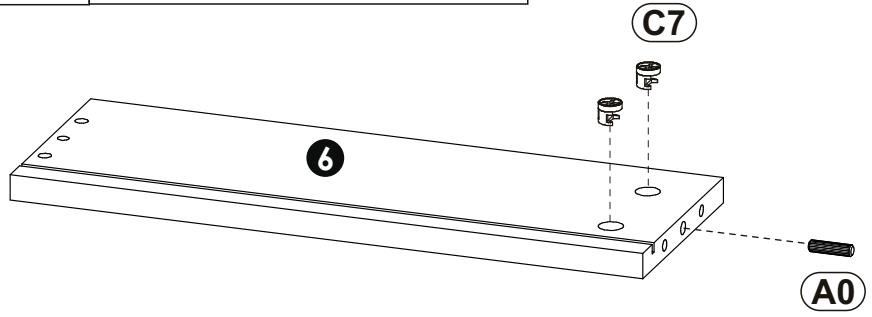
C2	x4	D21	5 x 13 mm	x1	P0	x1
-----------	-----------	------------	-----------	-----------	-----------	-----------



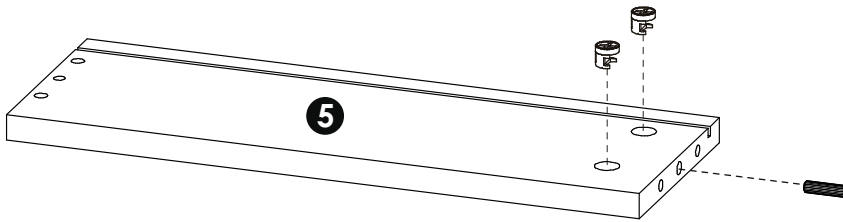
5▶



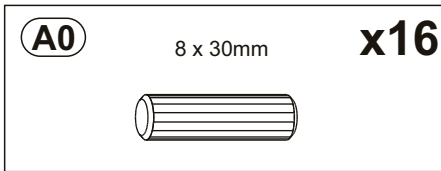
x4



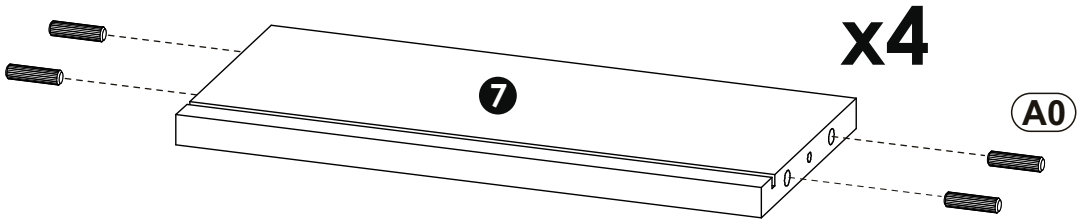
x4



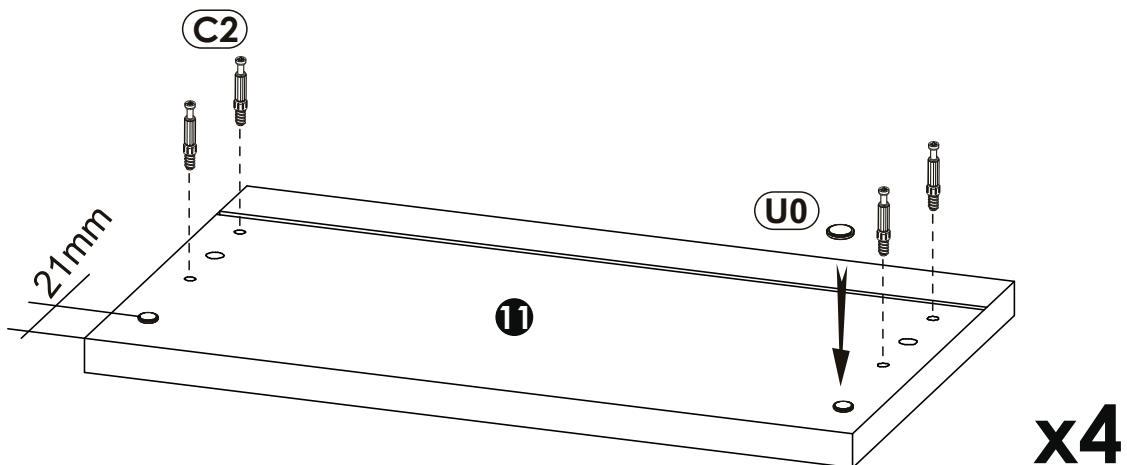
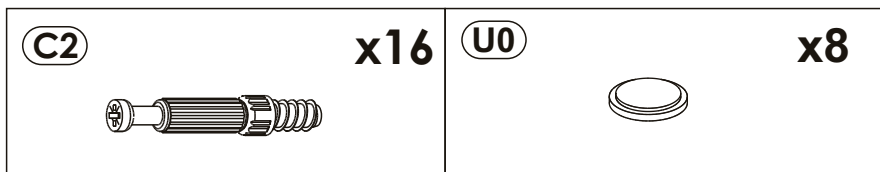
6▶



x4

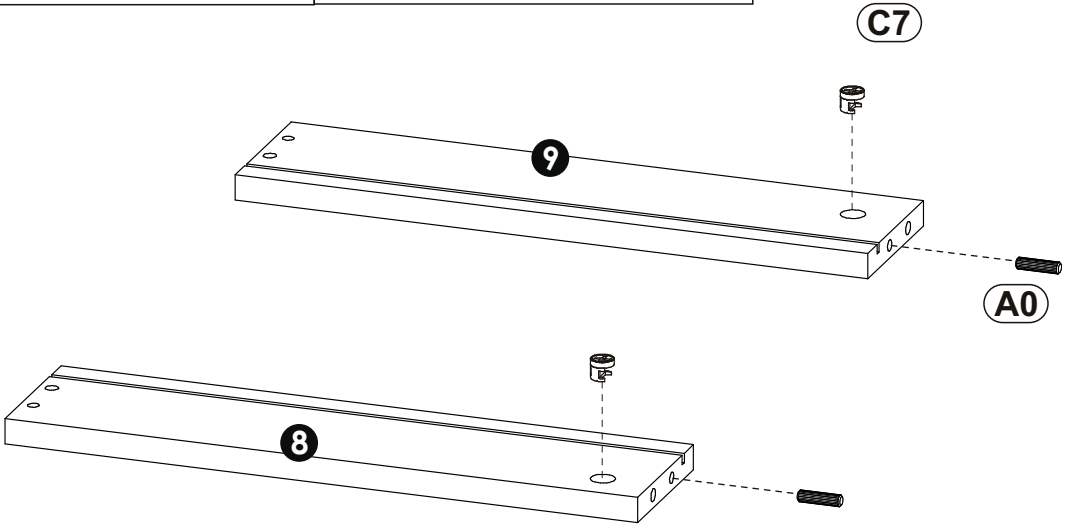


7▶



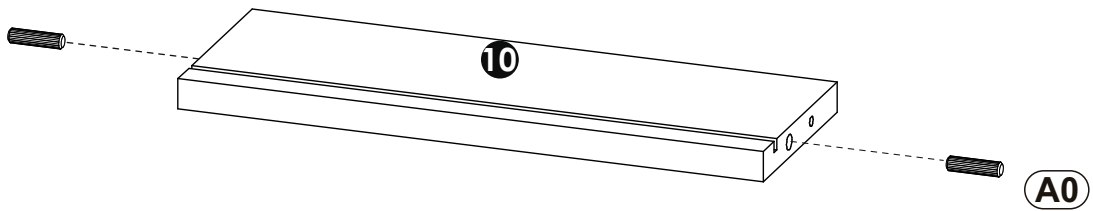
8 ▶

A0	8 x 30mm	x2	C7	16mm	x2
-----------	----------	-----------	-----------	------	-----------



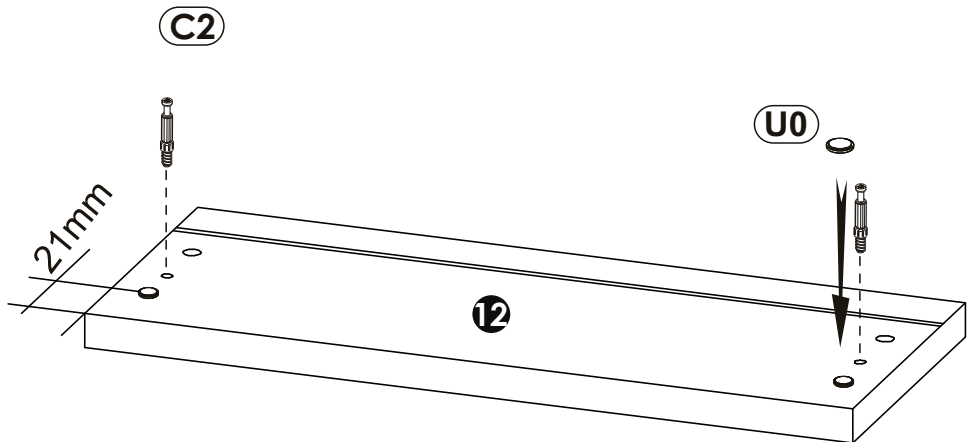
9 ▶

A0	8 x 30mm	x2
-----------	----------	-----------

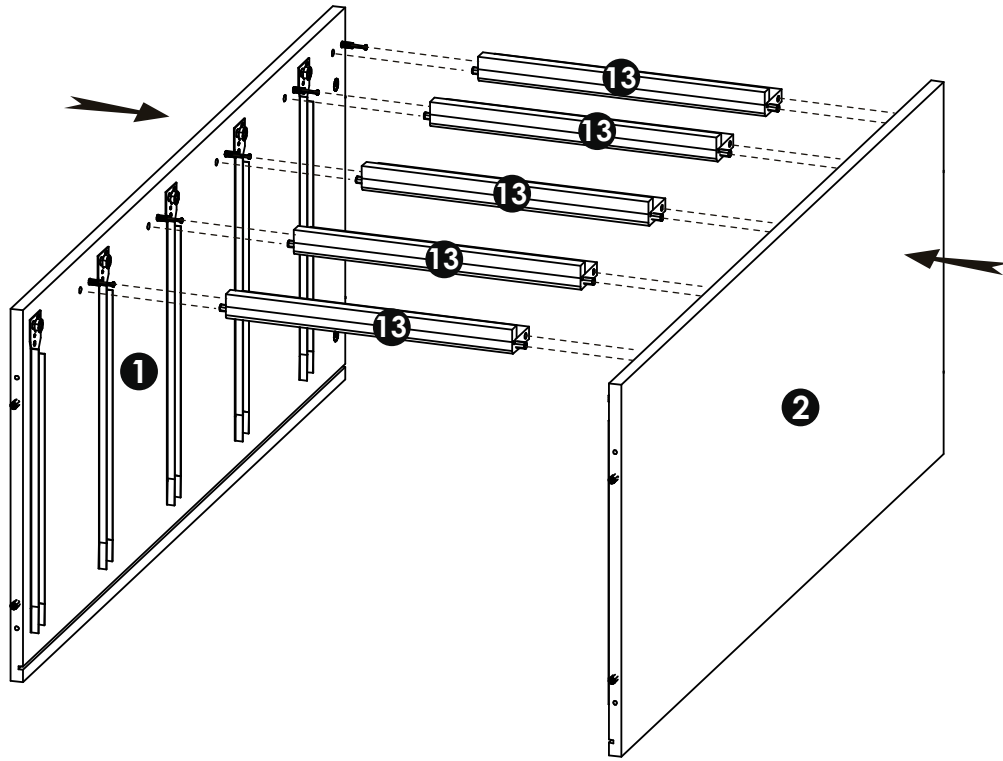


10 ▶

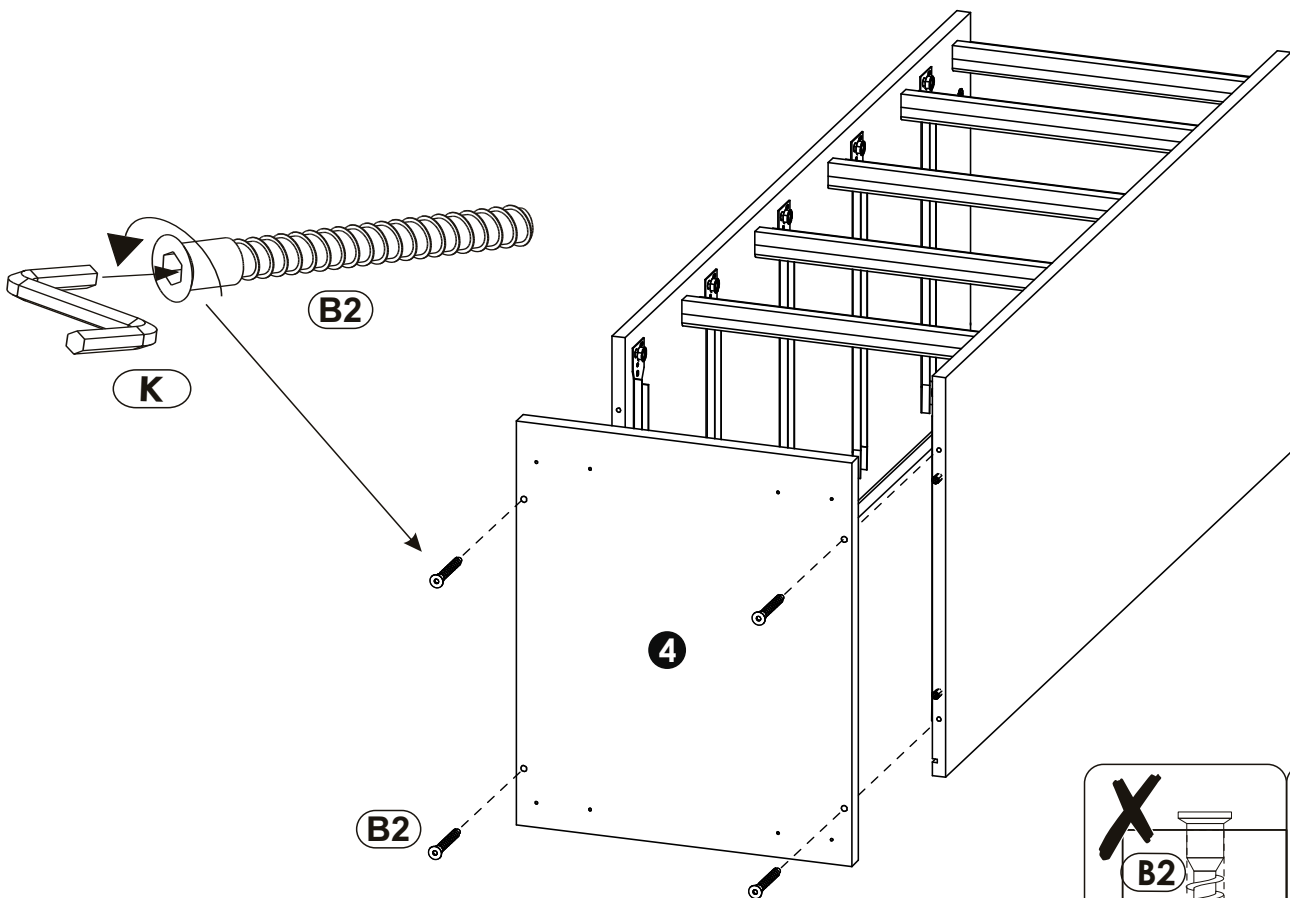
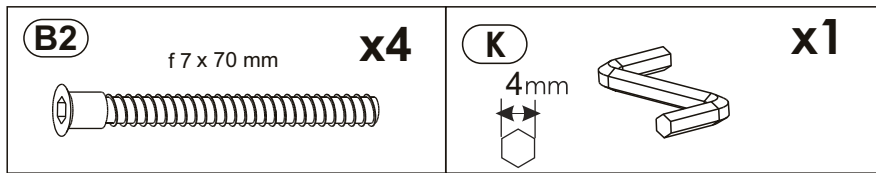
C2	x2	U0	x2
-----------	-----------	-----------	-----------




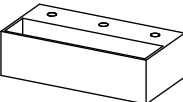
11▶

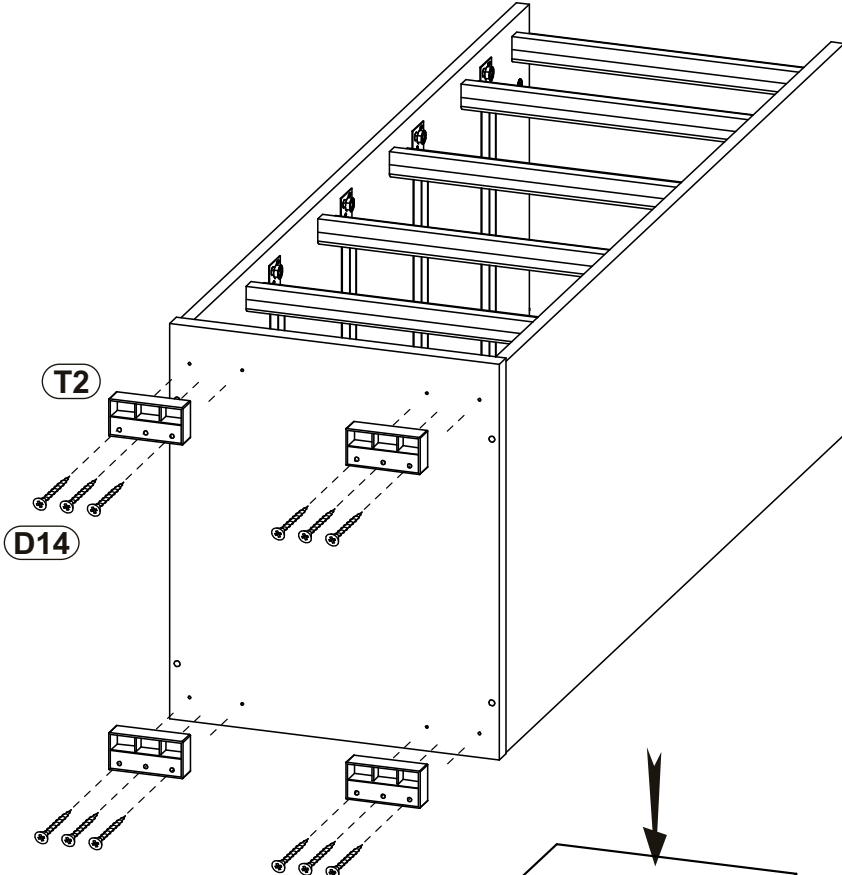


12▶

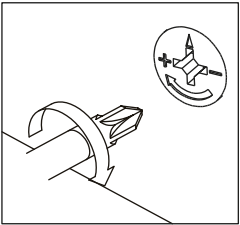
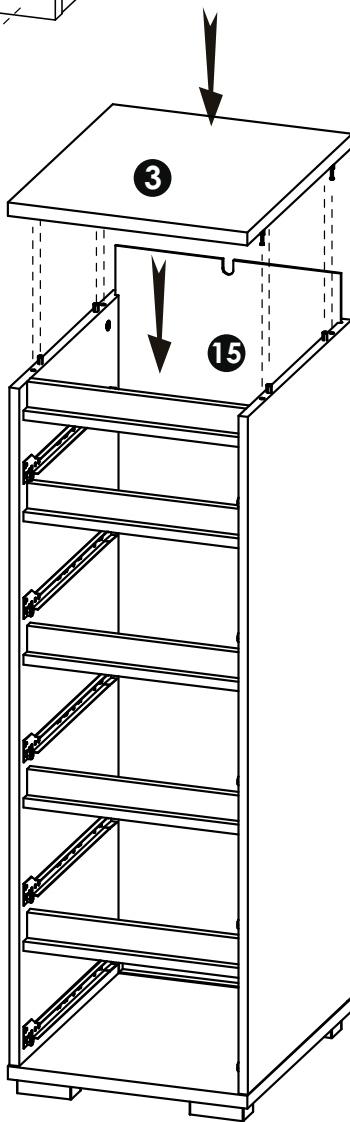


13▶



D14 4 x 35 mm 	x12	T2 	x4
--	------------	---	-----------

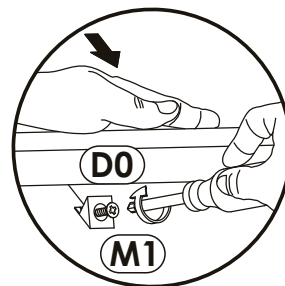
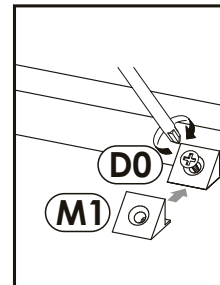
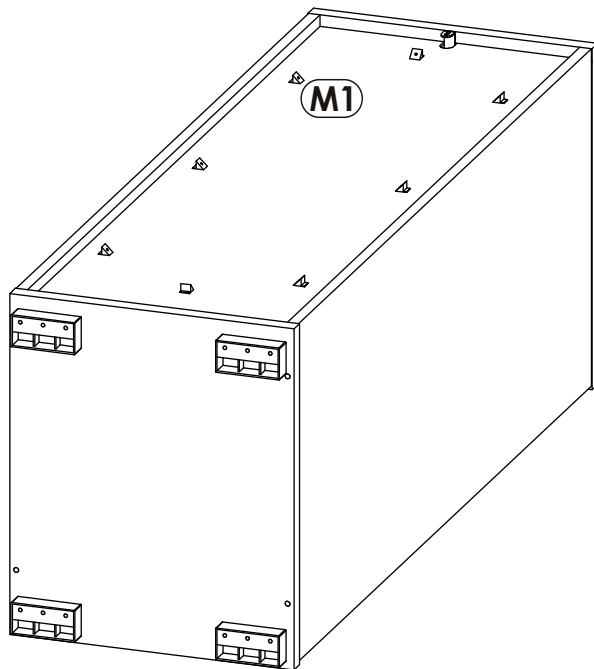
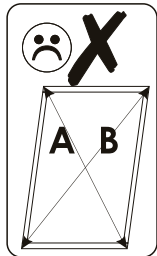
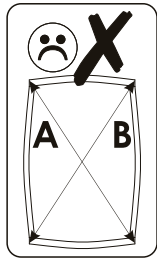
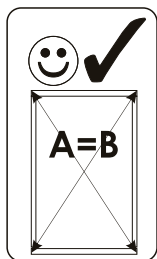


14▶


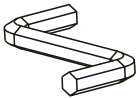


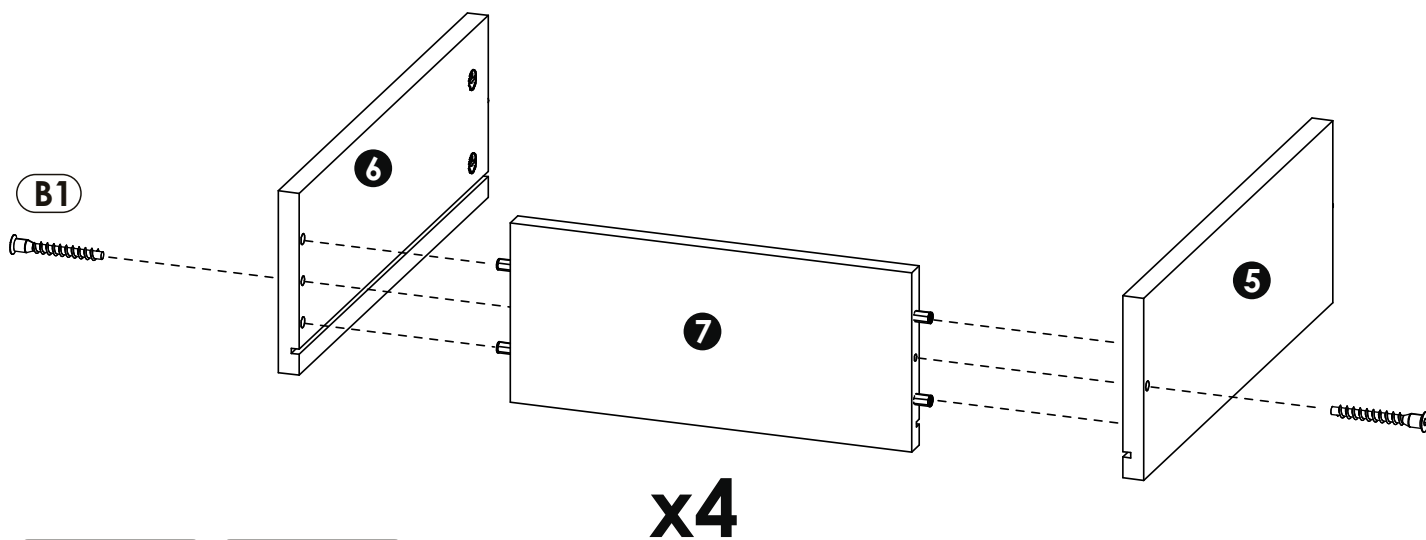
15▶

<p>(D0) 3 x 15 mm x8</p> 	<p>(M1) x8</p> 
--	--

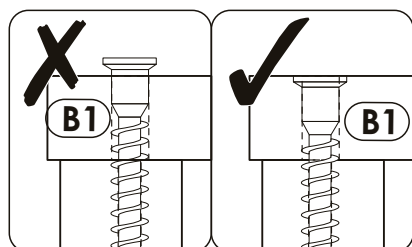


16▶

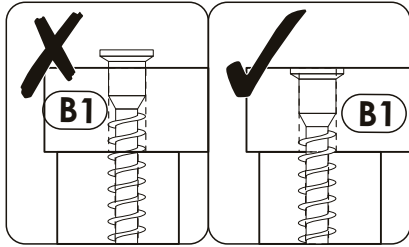
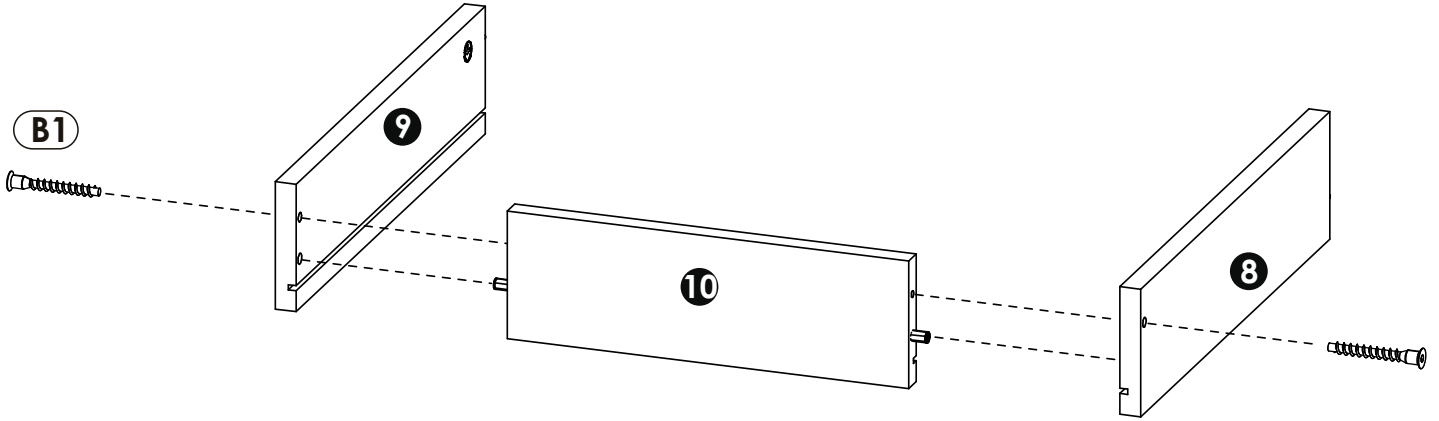
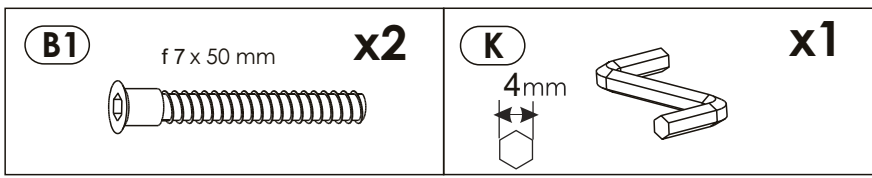
<p>(B1) f 7 x 50 mm x8</p> 	<p>(K) 4mm x1</p> 
--	---



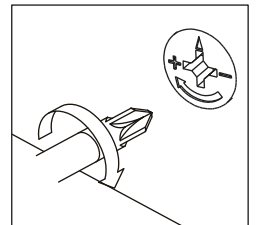
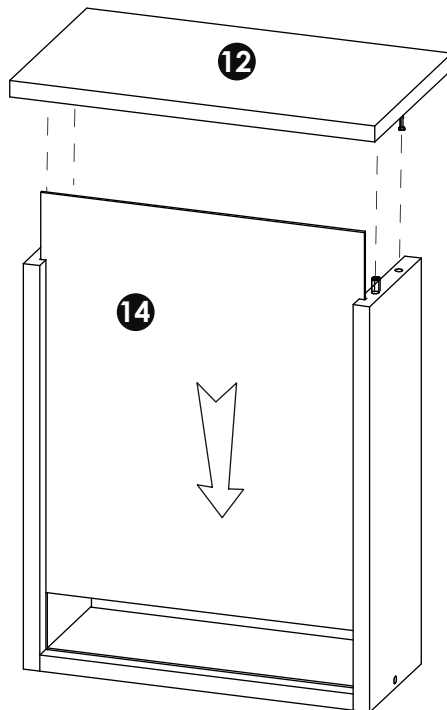
x4



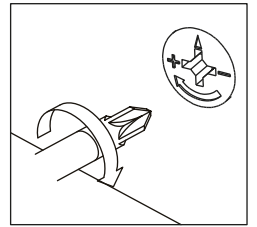
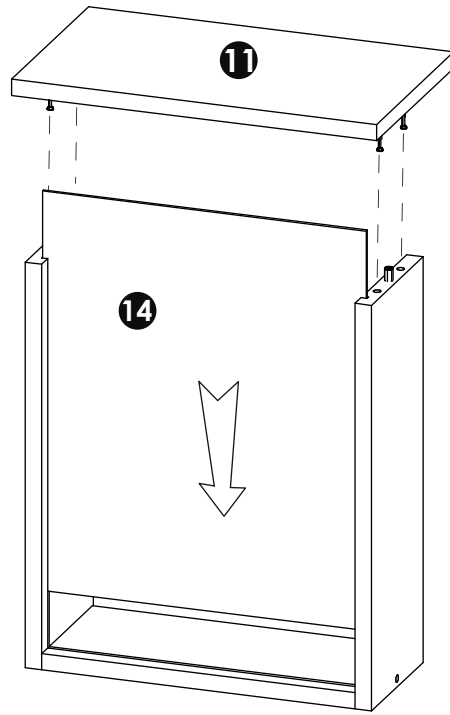
17▶



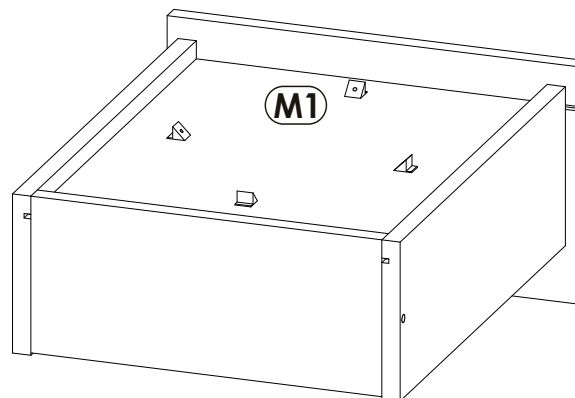
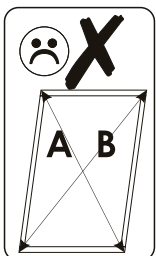
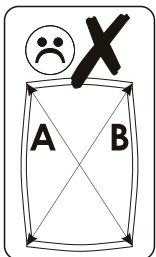
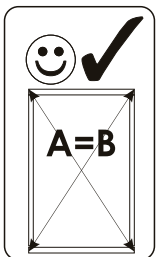
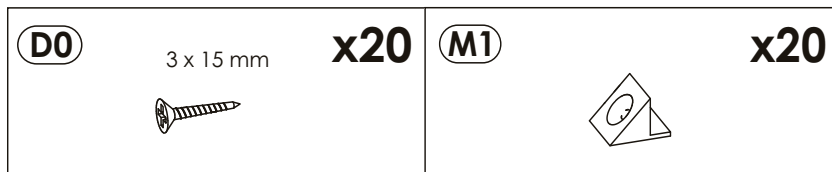
18▶



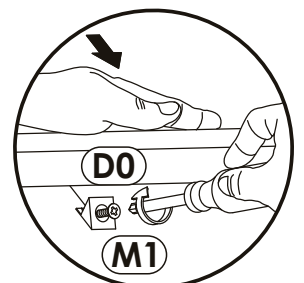
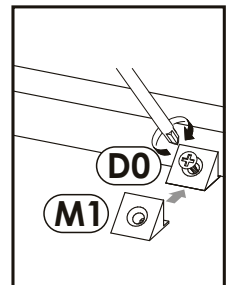
19▶



20▶

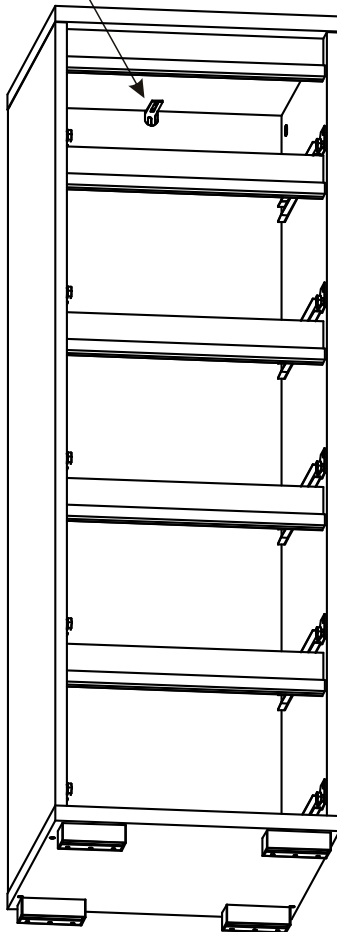
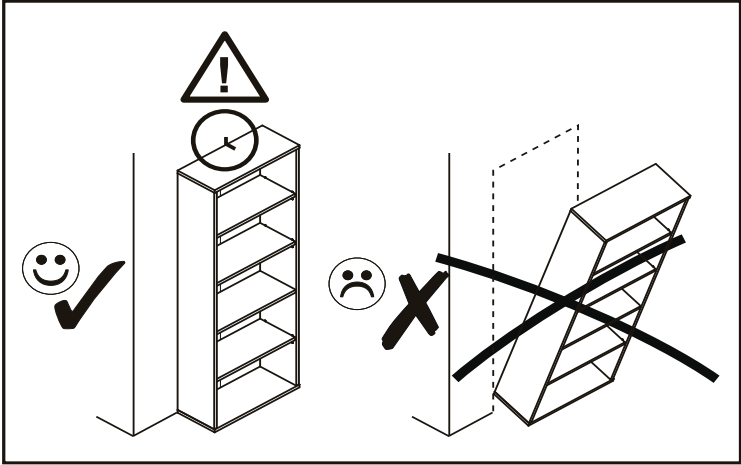
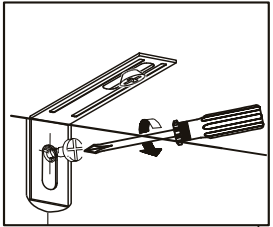
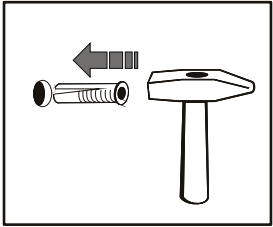
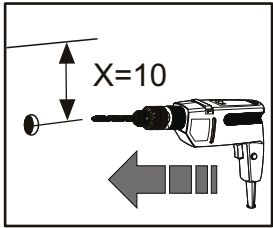
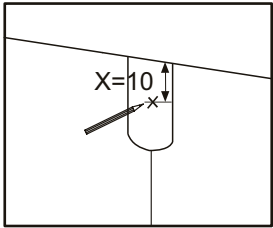
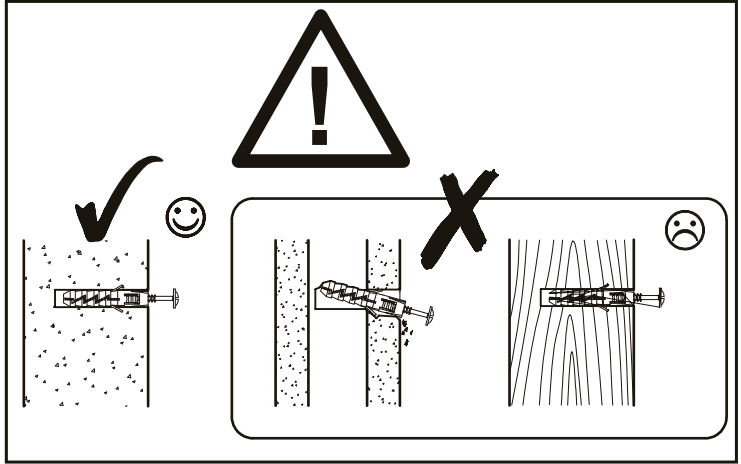


x5


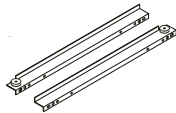


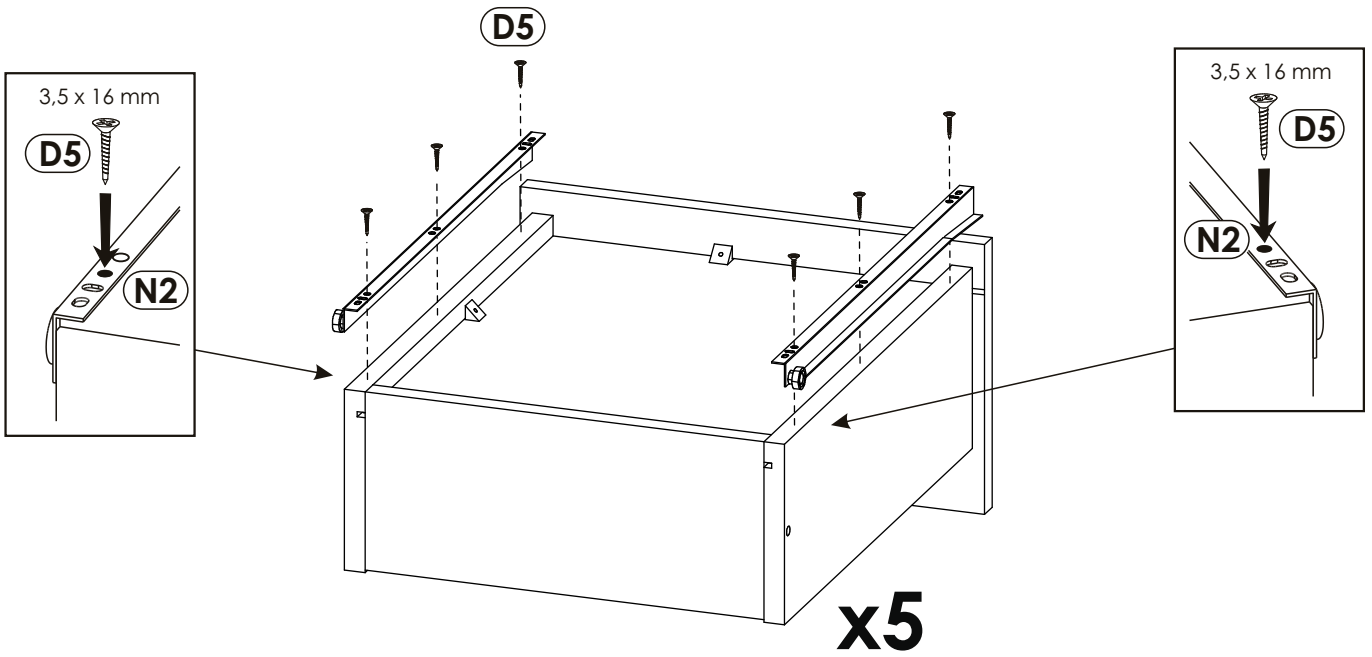
16▶

E0 5 x 50 mm **x1**
8 x 50 mm

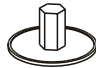


17▶

<p>(D5) 3,5 x 16 mm x30</p> 	<p>(N2) L-400 x5</p> 
--	---



18▶

<p>(C0) </p>	<p>x18</p>
---	-------------------

