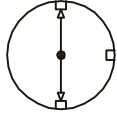
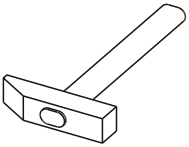
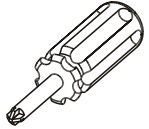
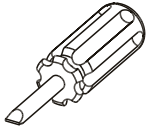
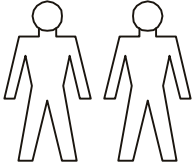
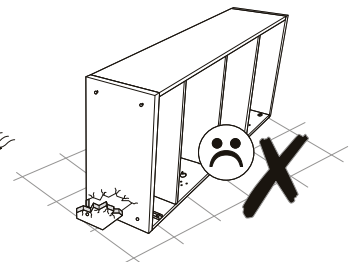
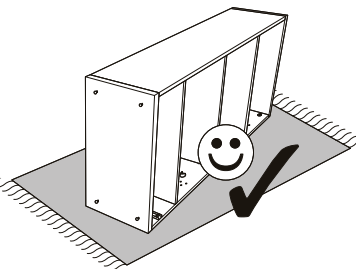
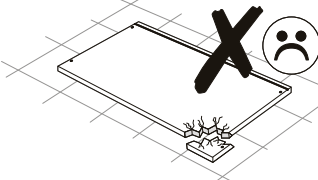
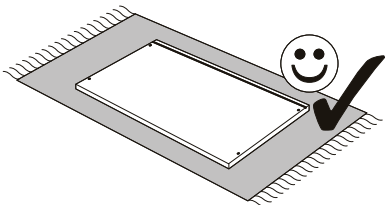
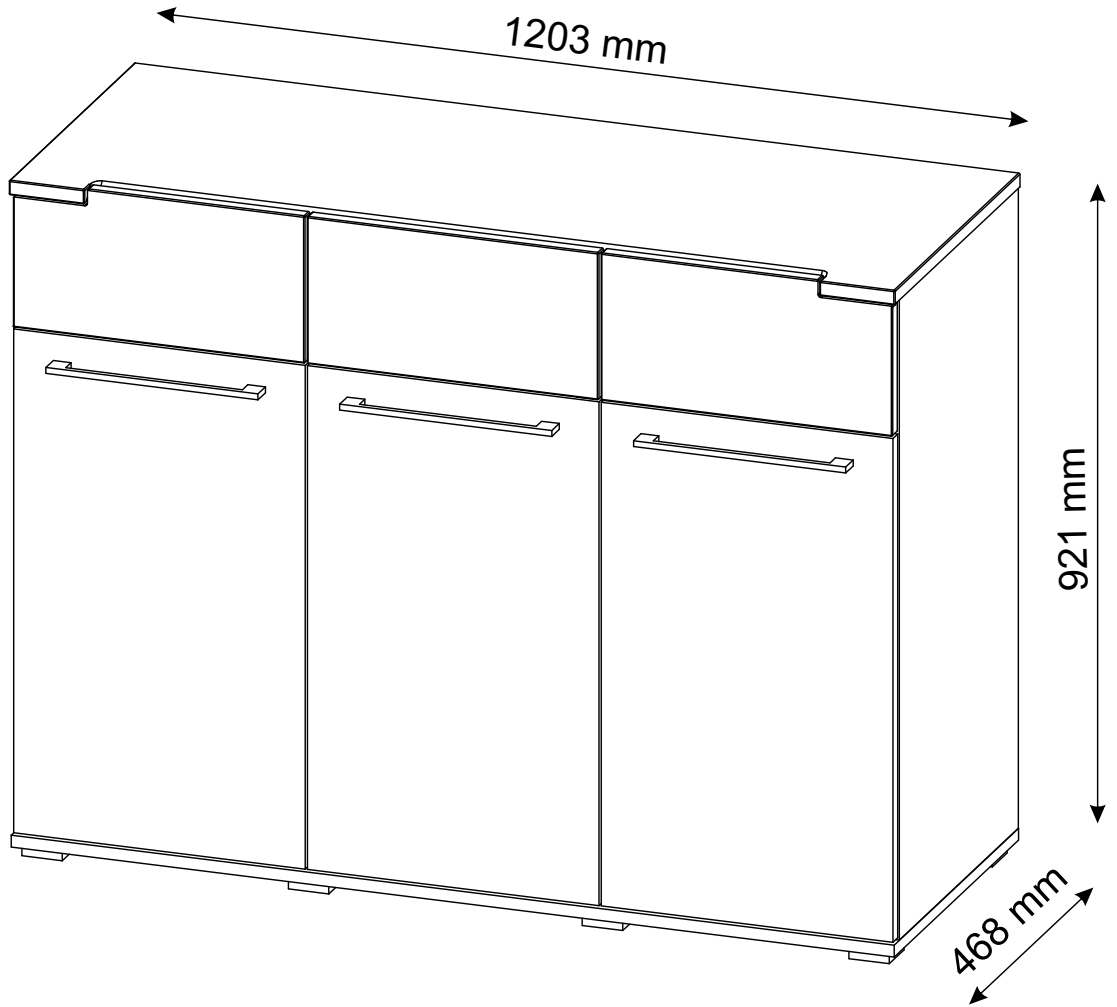


FEEL - Kommode

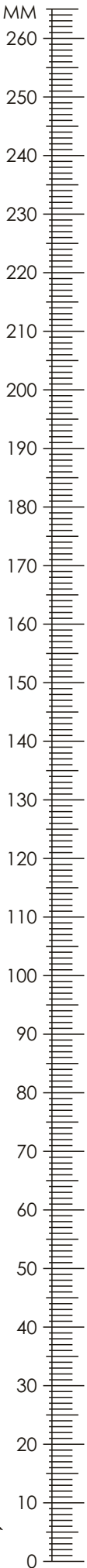
 **45**
MIN

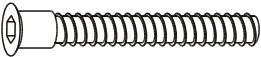







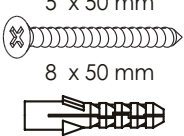
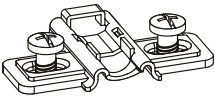
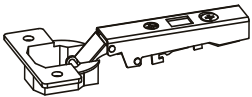
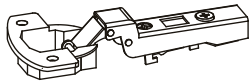
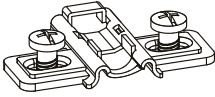



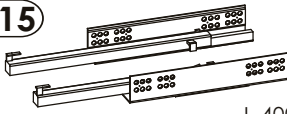
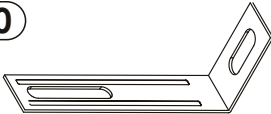
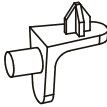
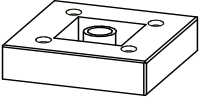


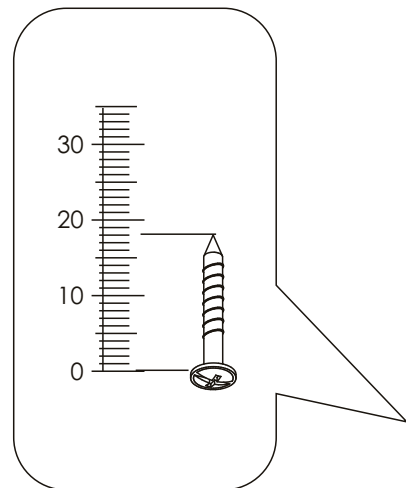
Ø8



FEEL - Kommode




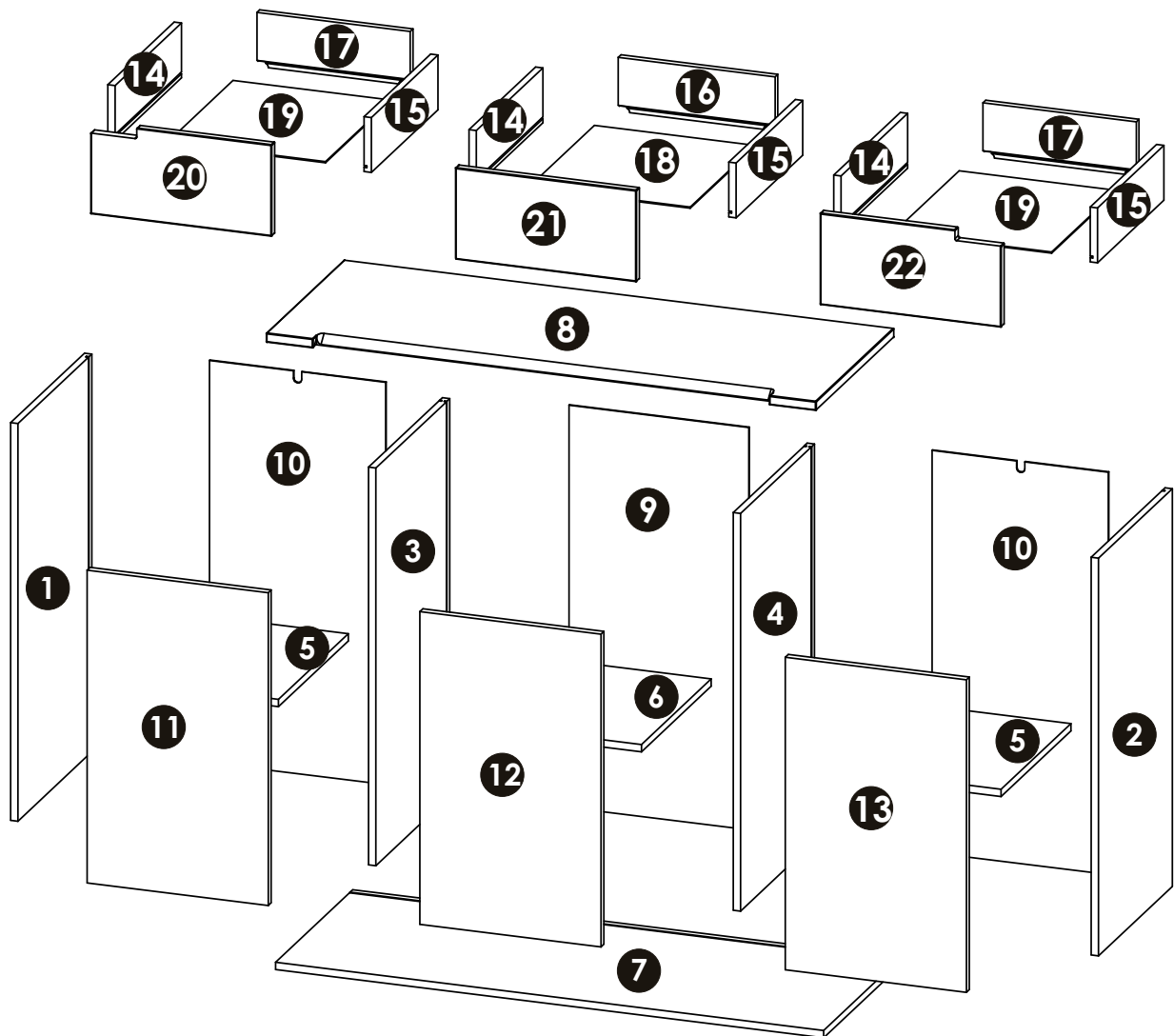
B1 f 7 x 50 mm x14 	C0  x12	C2  x24
D0 3 x 15 mm x30 	D8 4,2 x 13 mm x2 	D10 4 x 16 mm x12 
D12  x32 3,5 x 25 mm	D31 6,3 x 13 mm x24 	E0 5 x 50 mm 8 x 50 mm x2 
J3  x4	J10  x4	J13  x2
J22  x2	K 4mm  x1	L2  x3
M1  x30	N15  x3 L-400mm	P0  x2
Q3  x12	T5  x8	

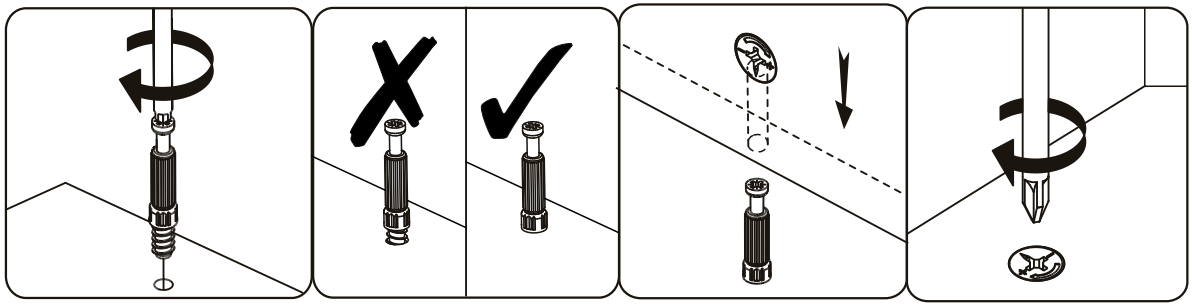


FEEL - Kommode


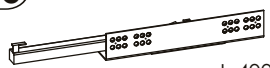
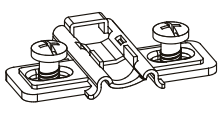

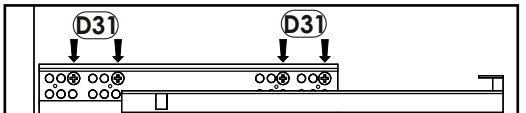
1	870	444	16	x1	1/4
2	870	444	16	x1	1/4
3	870	444	16	x1	1/4
4	870	444	16	x1	1/4
5	375,5	420	16	x2	2/4
6	383	420	16	x1	2/4
7	1199	464	16	x1	2/4
8	1203	468	20	x1	4/4
9	880	393	2,8	x1	1/4
10	880	386	2,8	x2	1/4
11	684	396	18	x1	3/4
12	684	396	18	x1	3/4

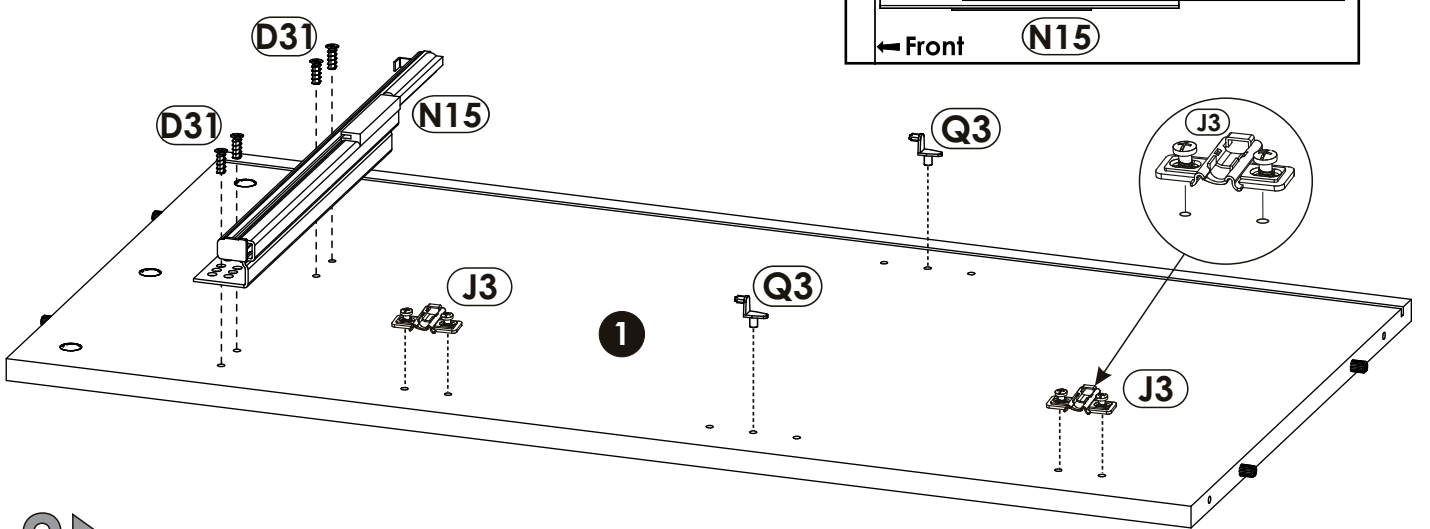
13	684	396	18	x1	3/4
14	400	120	16	x3	2/4
15	400	120	16	x3	2/4
16	343	118	16	x1	2/4
17	335,5	118	16	x2	2/4
18	353	394	2,8	x1	1/4
19	346	394	2,8	x2	1/4
20	396	200	20	x1	4/4
21	396	200	20	x1	4/4
22	396	200	20	x1	4/4
					2/4




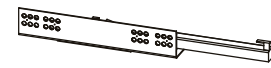
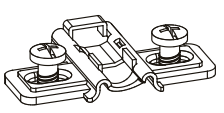
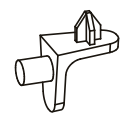
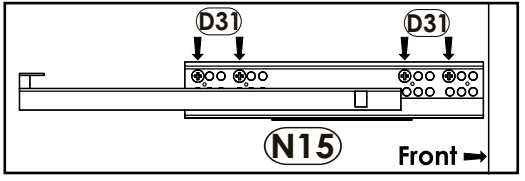


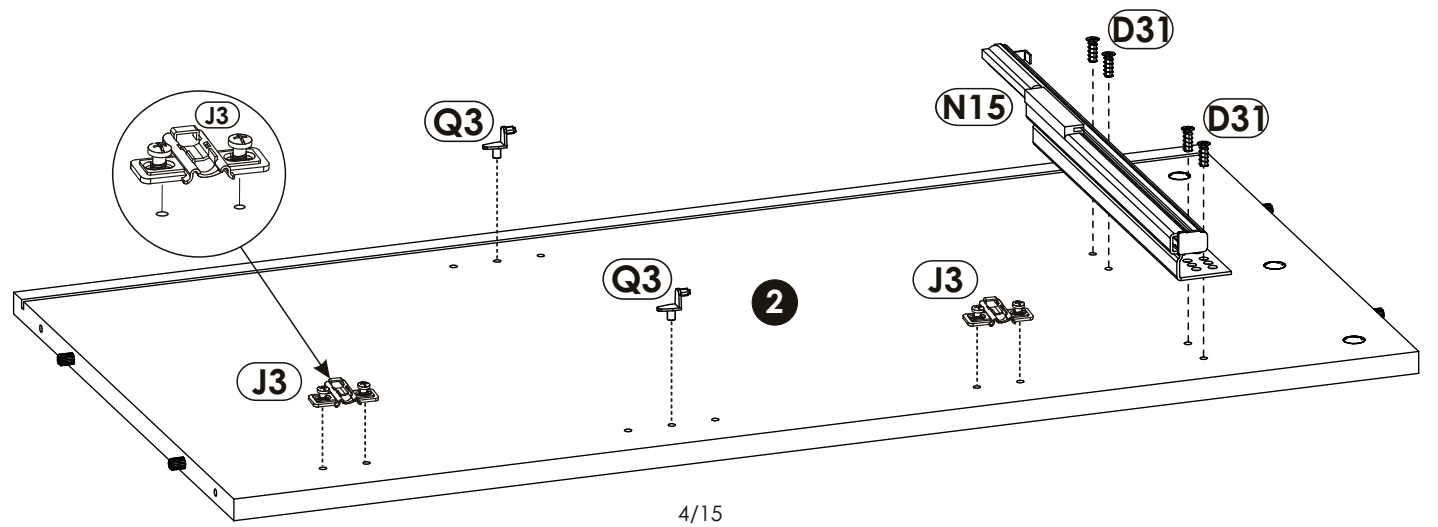
1 ▶

<p>(D31) 6,3 x 13 mm x4</p> 	<p>(N15) x1</p>  <p>L-400mm</p>	<p>(J3) x2</p> 
<p>(Q3) x2</p> 		


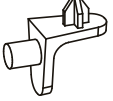


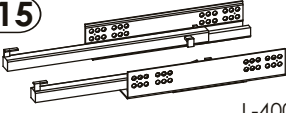
2 ▶

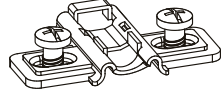
<p>(D31) 6,3 x 13 mm x4</p> 	<p>(N15) x1</p>  <p>L-400mm</p>	<p>(J3) x2</p> 
<p>(Q3) x2</p> 		

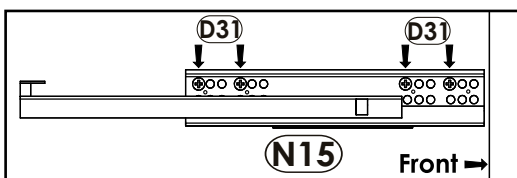
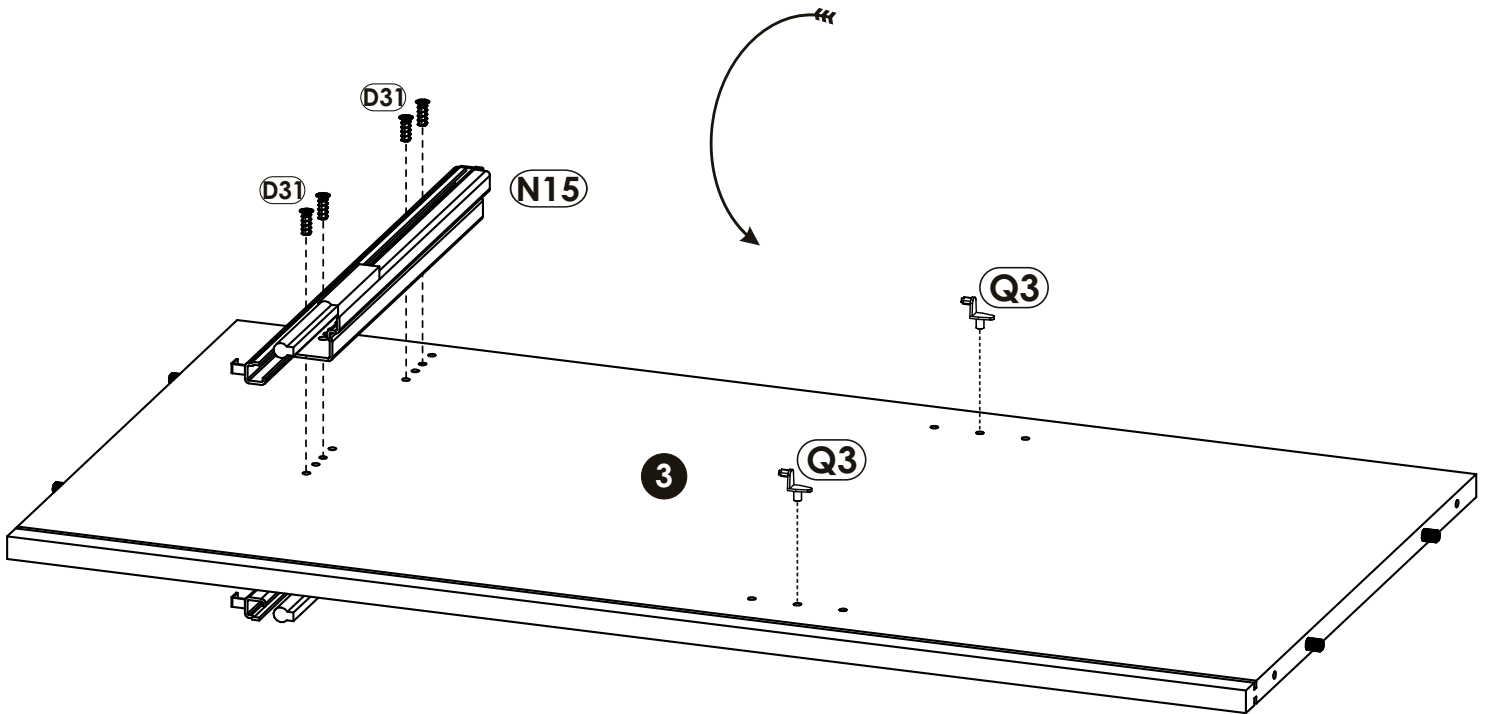
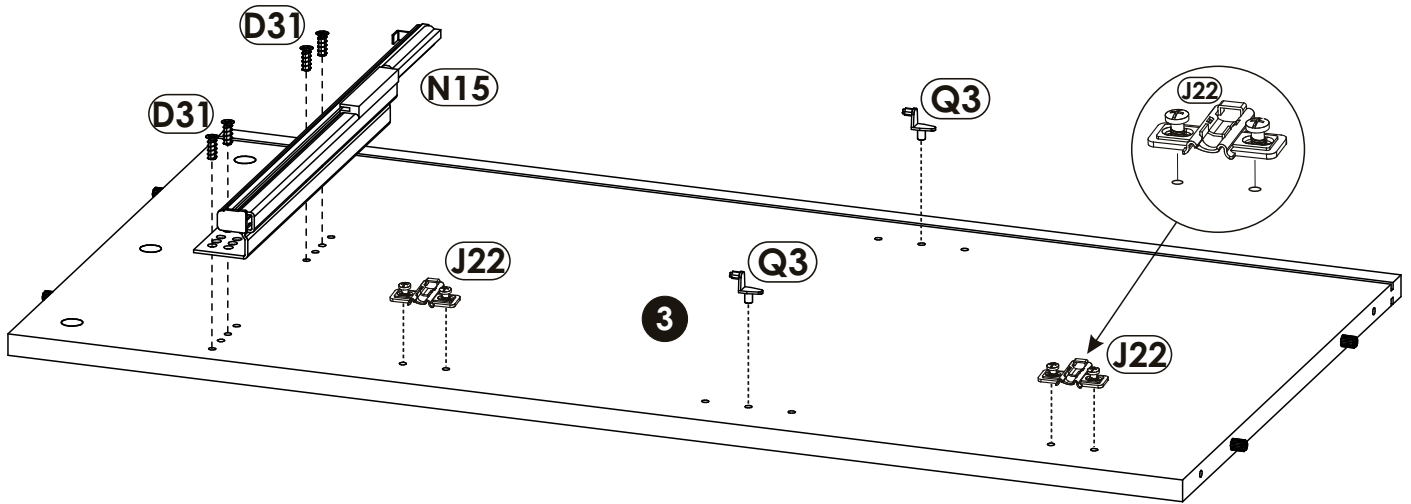
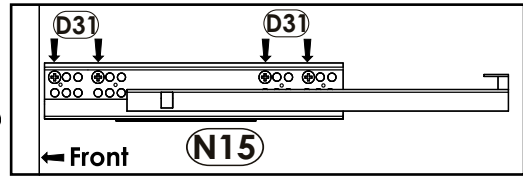


3 ▶


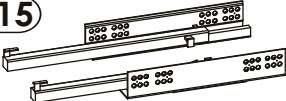

(D31) 6,3 x 13 mm 	x8
(Q3) 	x4

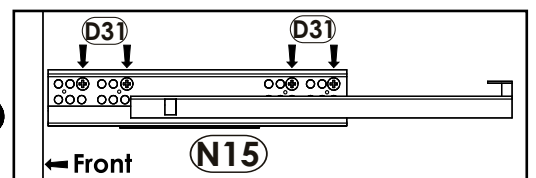
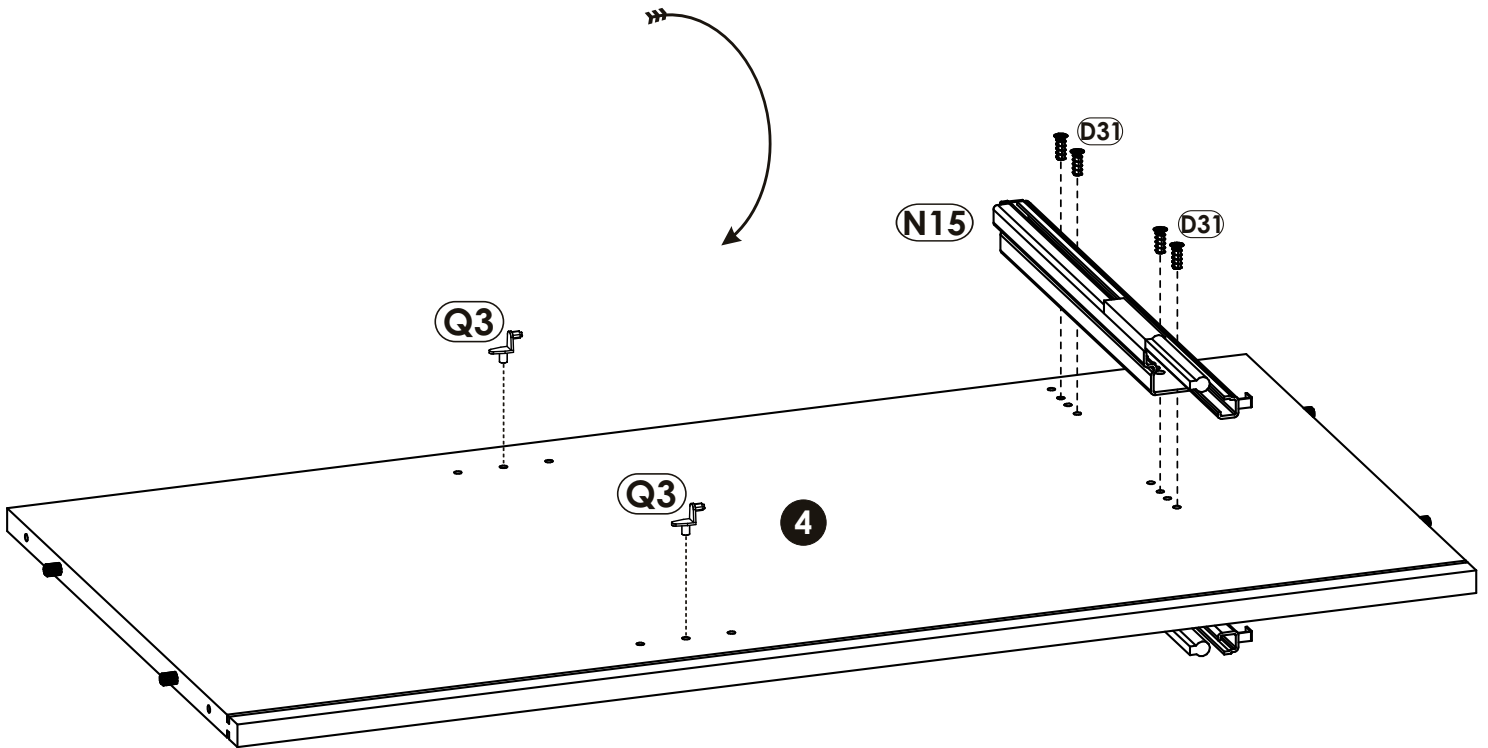
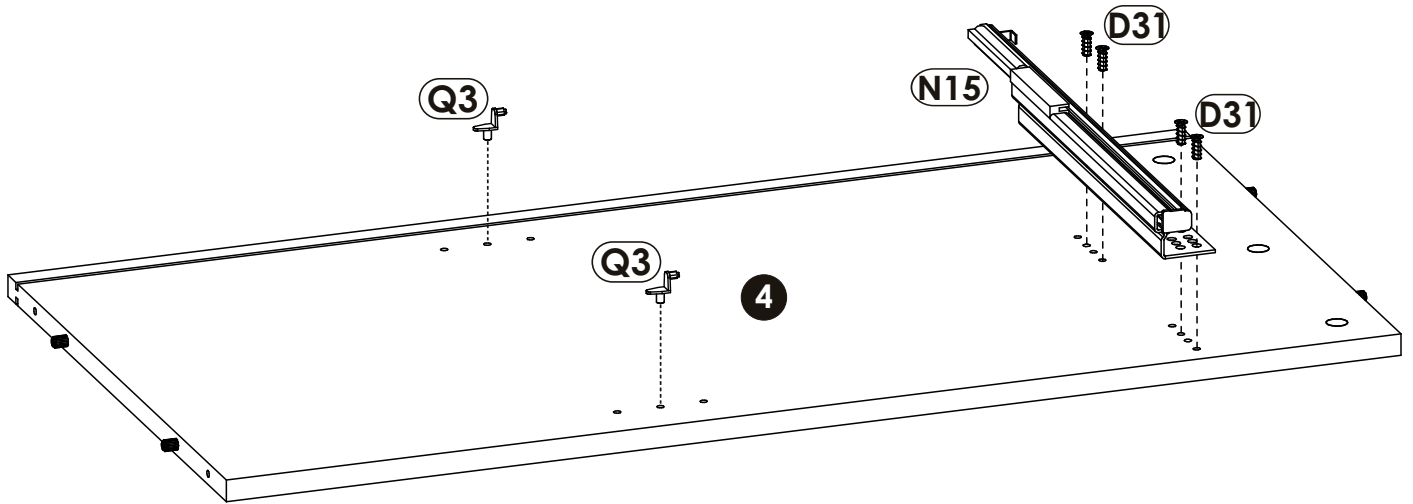
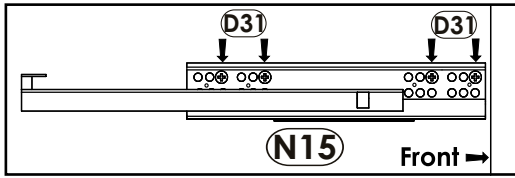
(N15)  L-400mm	x1
--	-----------

(J22) 	x2
---	-----------

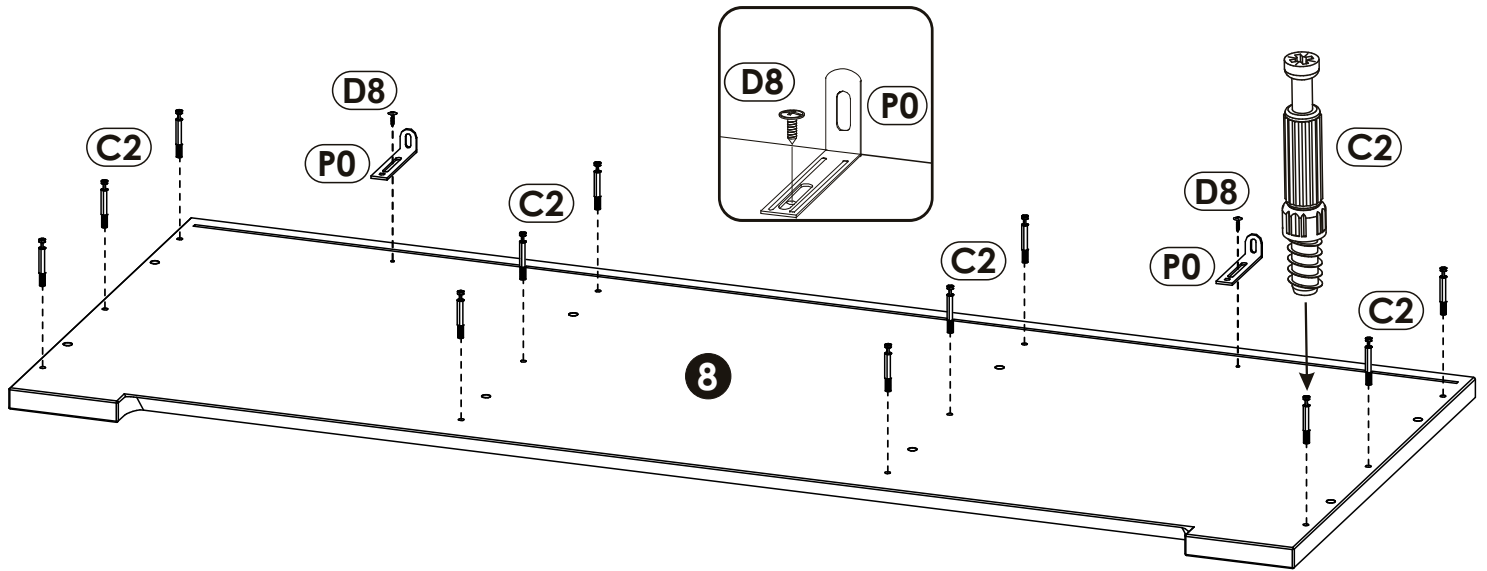
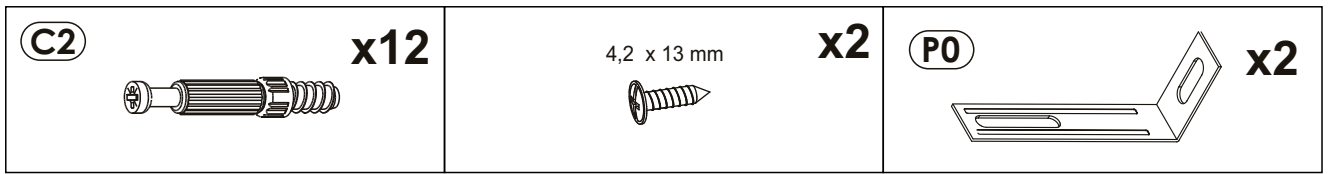


4 ▶

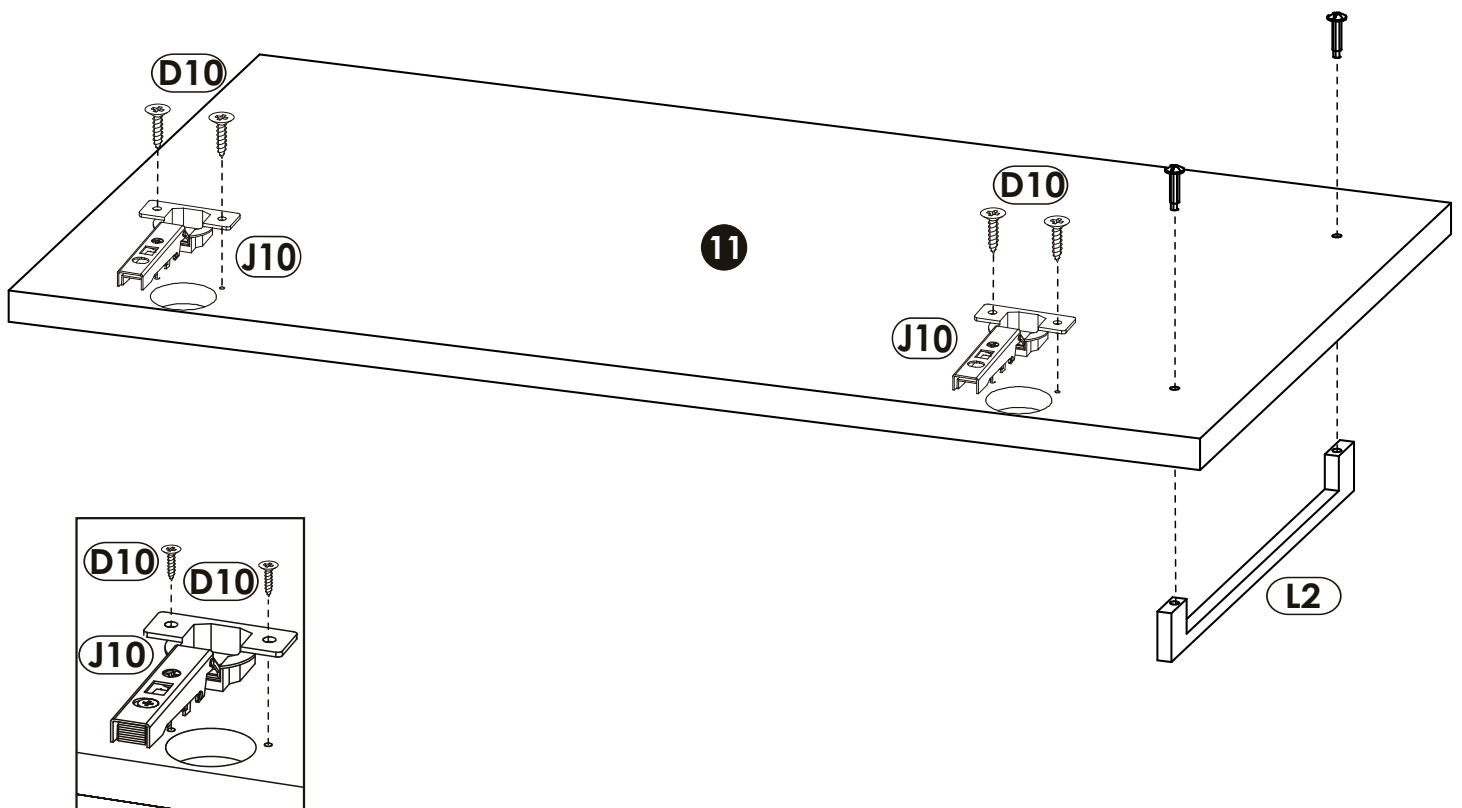
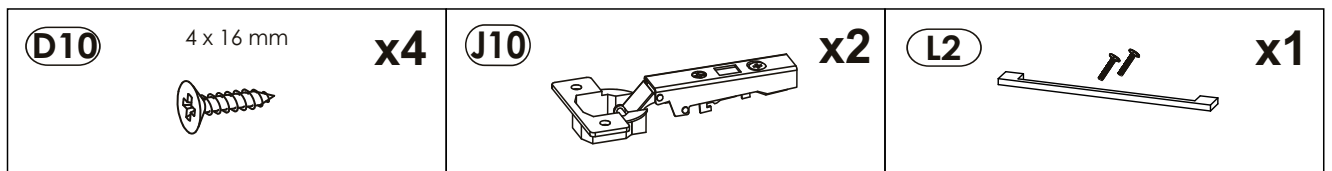
D31 6.3 x 13 mm 	x8	N15  L-400mm	x1	Q3 	x4
--	-----------	--	-----------	--	-----------






5 ▶

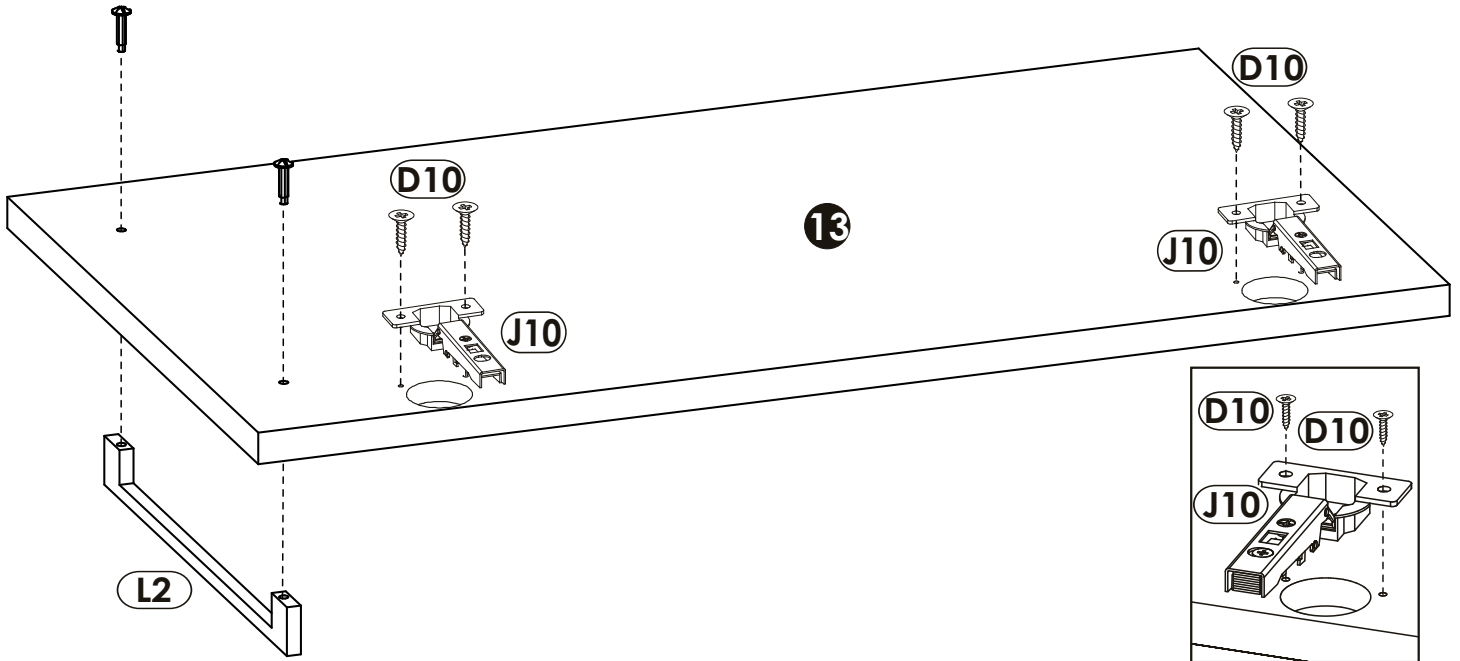


6 ▶


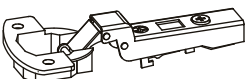



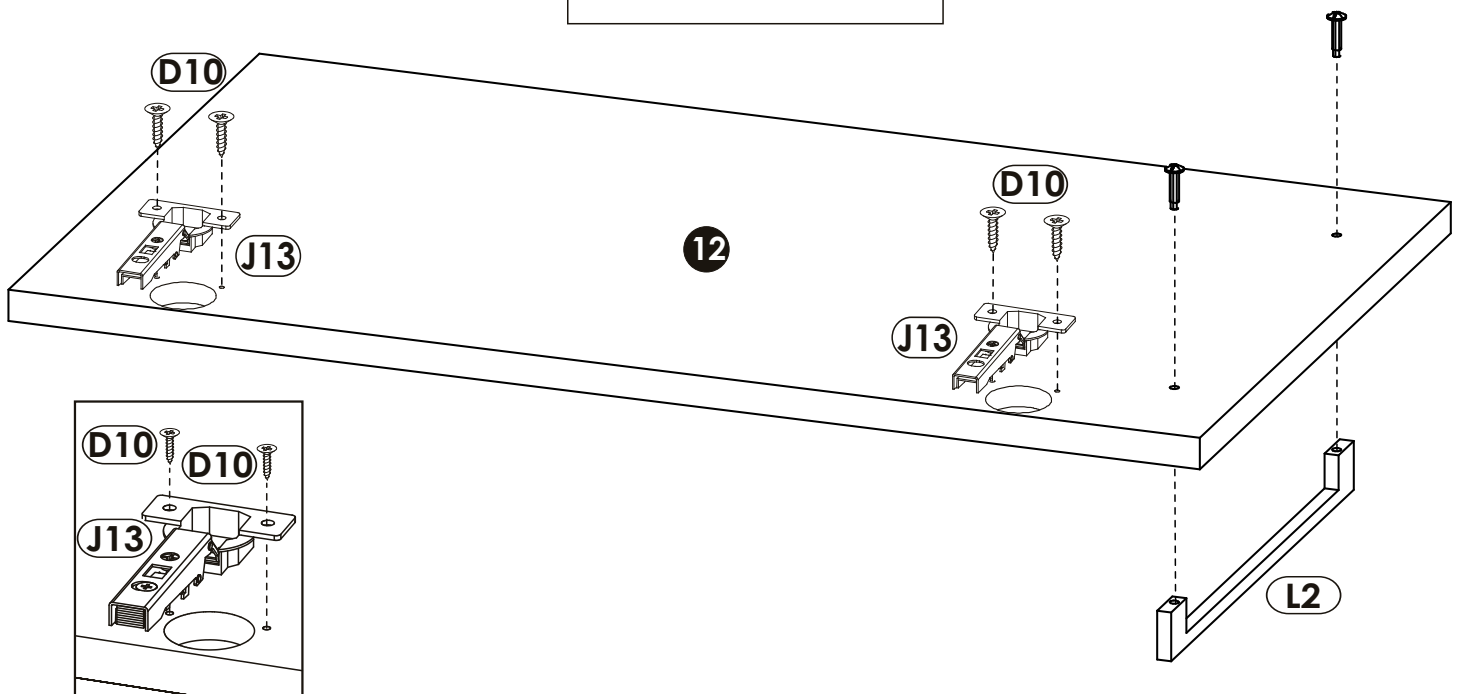
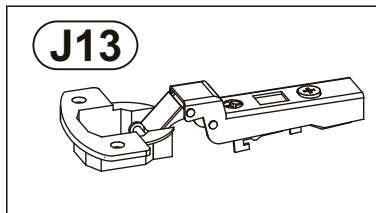
7 ▶

<p>D10 4 x 16 mm x4</p> 	<p>J10 x2</p> 	<p>L2 x1</p> 
---	--	--



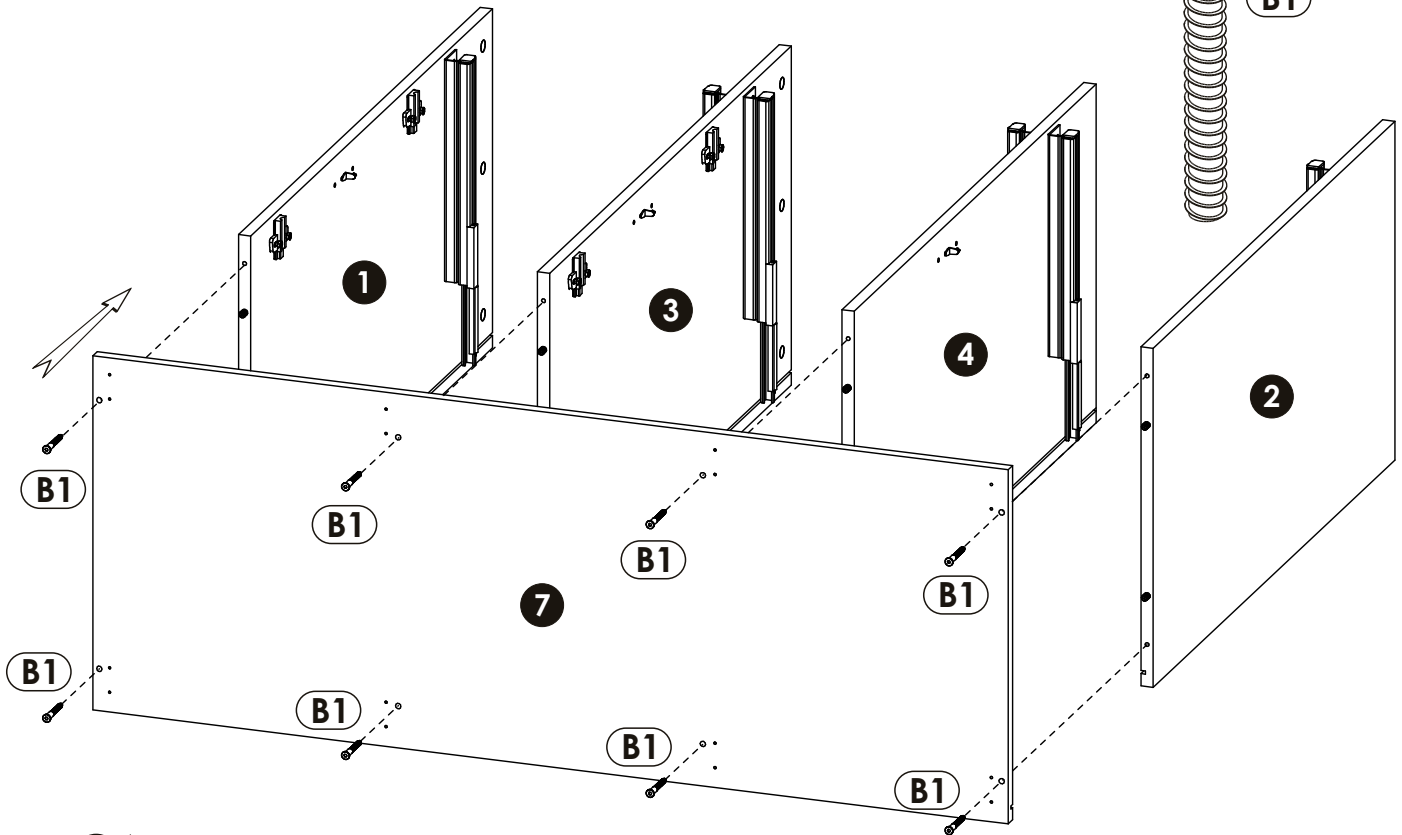
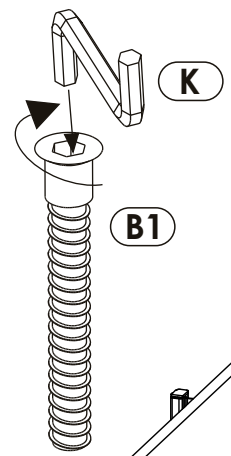
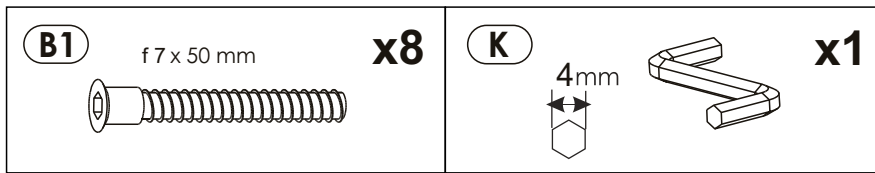
8 ▶

<p>D10 4 x 16 mm x4</p> 	<p>J13 x2</p> 	<p>L2 x1</p> 
---	---	--



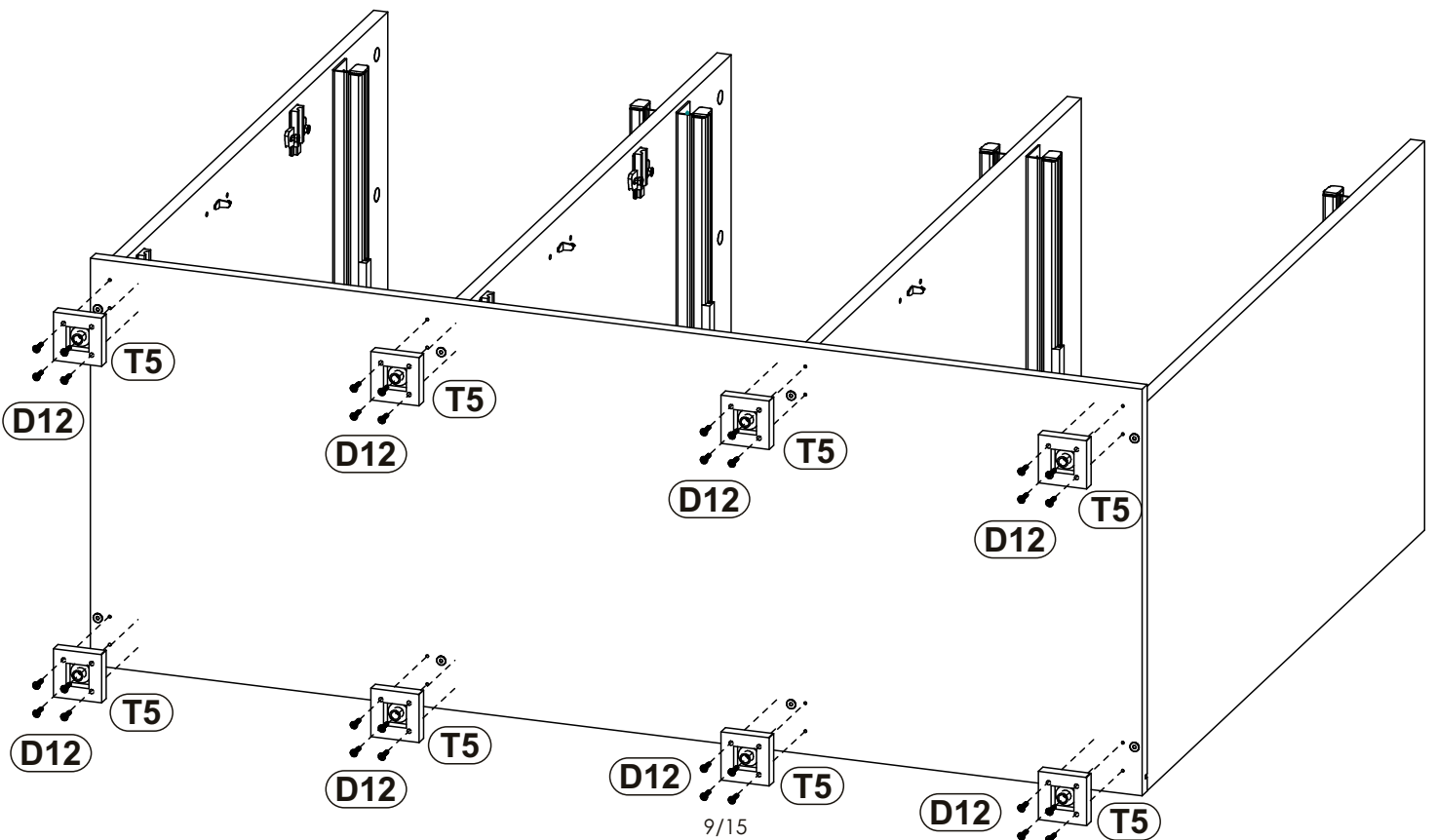
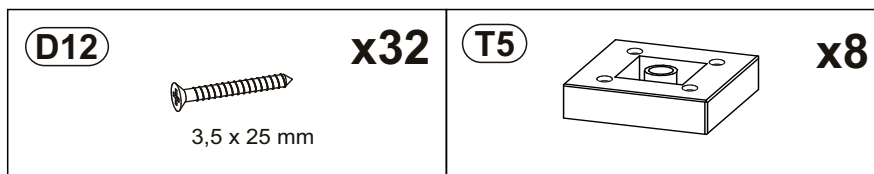
9 ▶

B1	f 7 x 50 mm	x8	K	4mm	x1
-----------	-------------	-----------	----------	-----	-----------

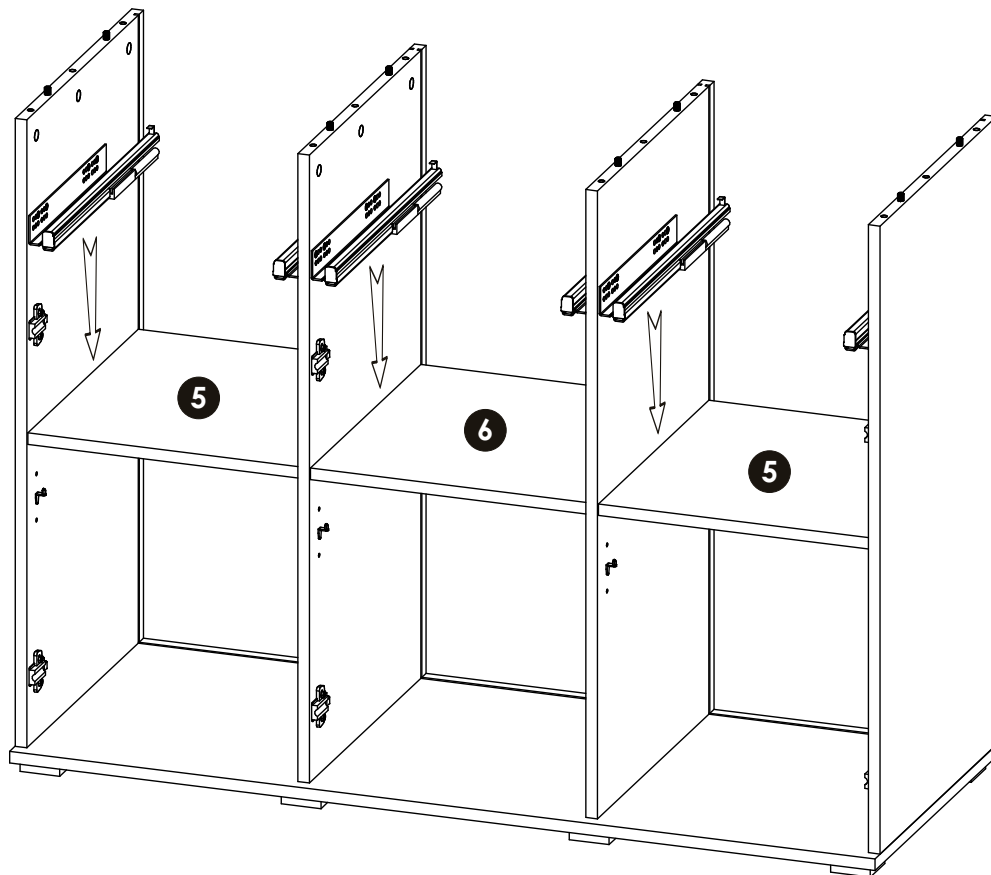
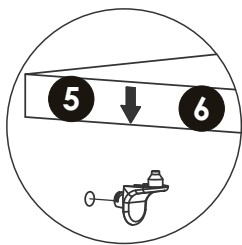


10 ▶

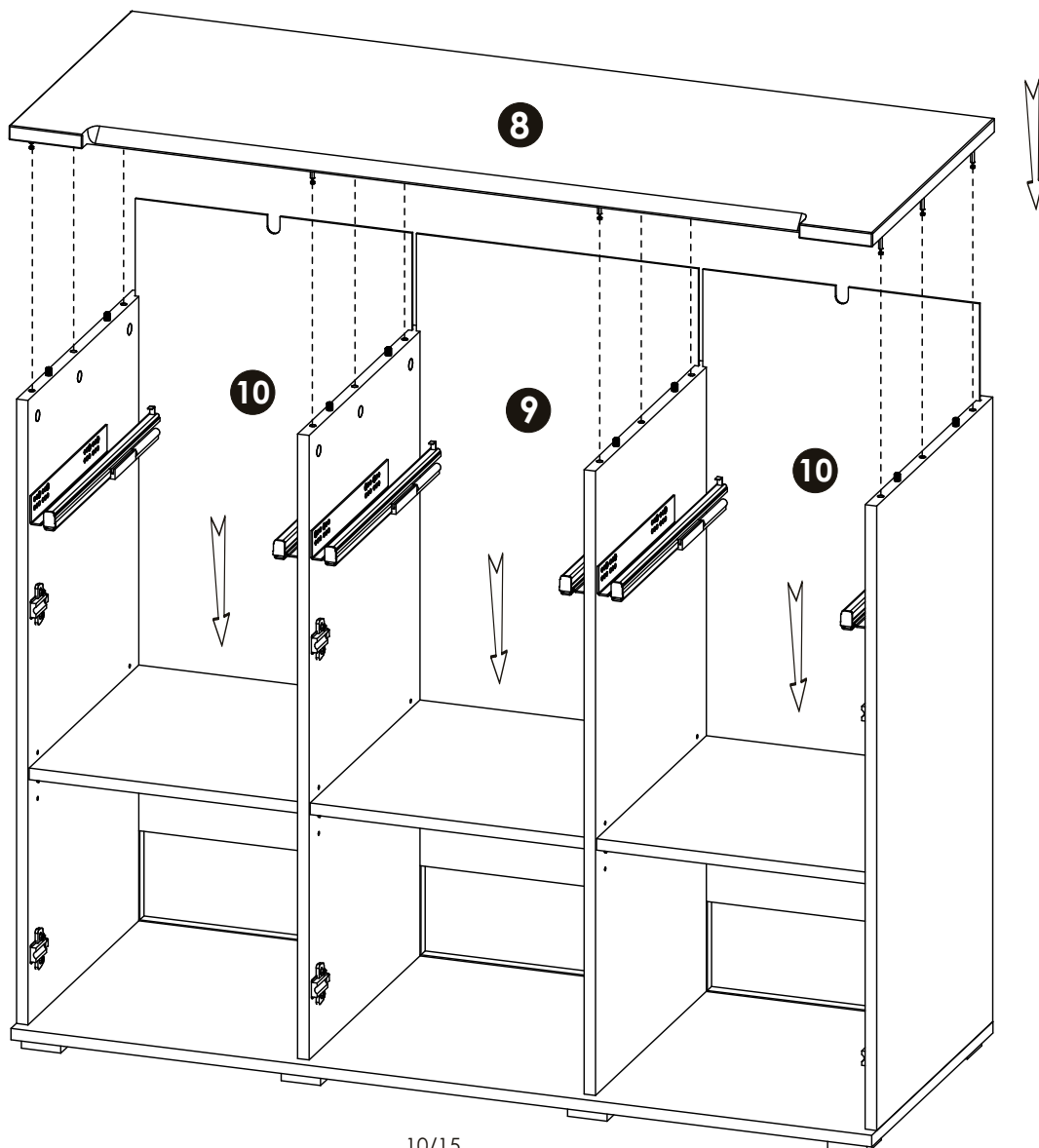
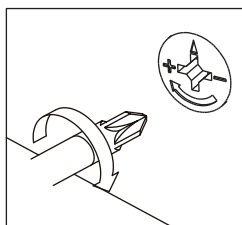
D12	3,5 x 25 mm	x32	T5	x8
------------	-------------	------------	-----------	-----------





11▶

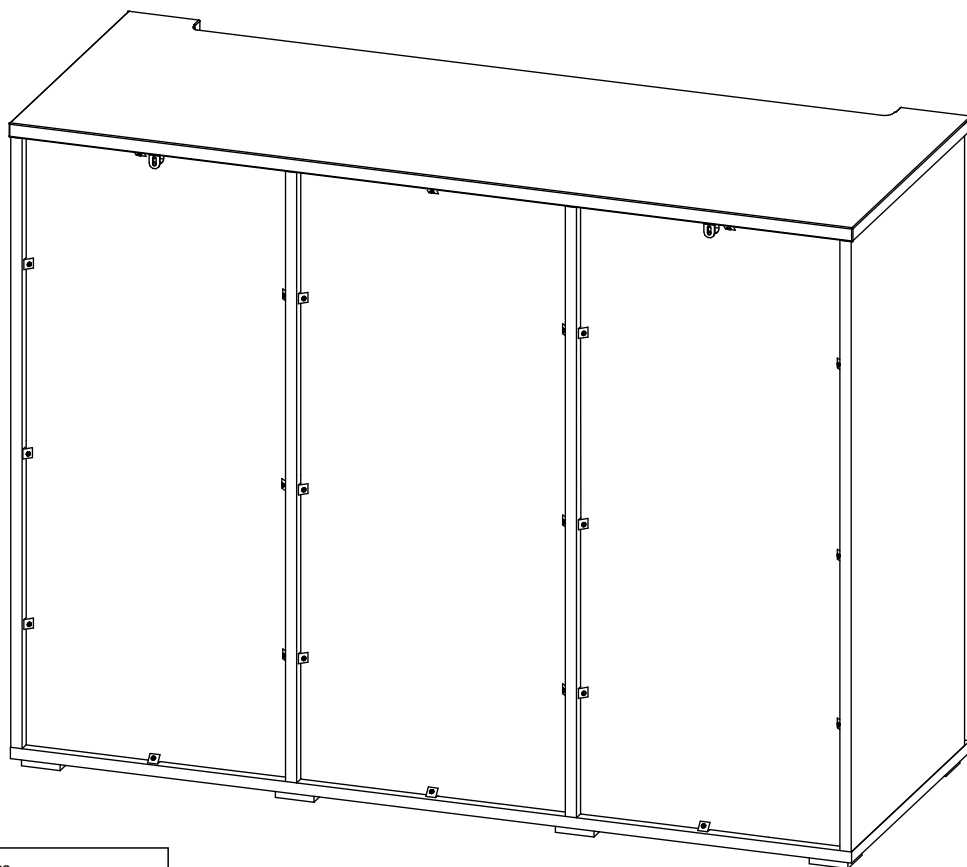
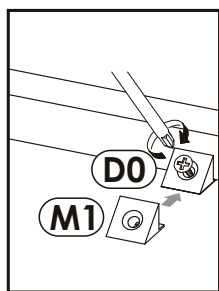
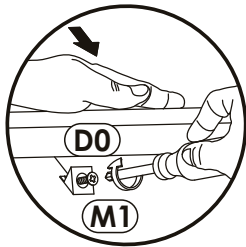
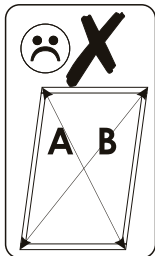
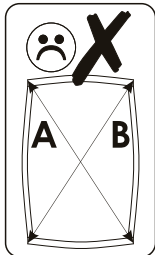
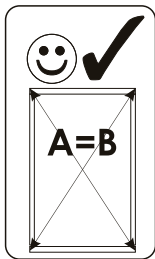


12▶

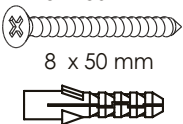


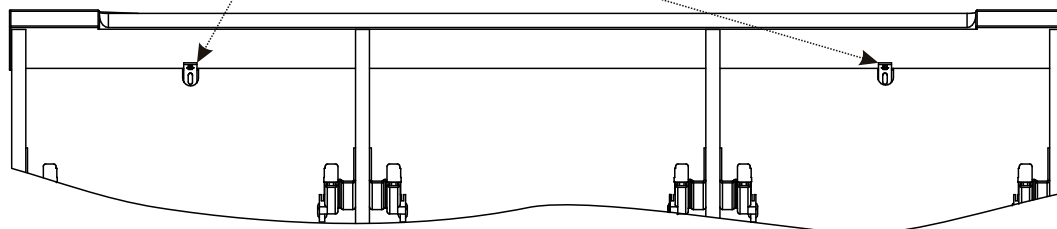
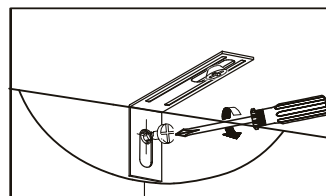
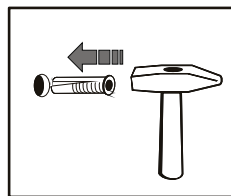
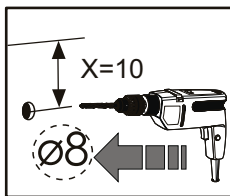
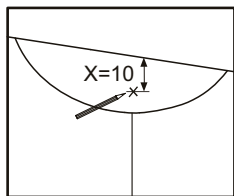
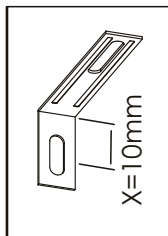
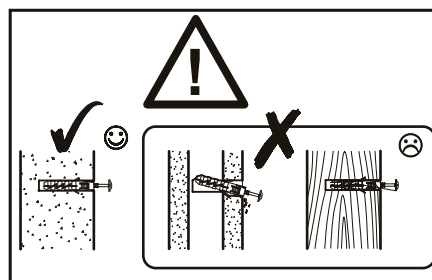
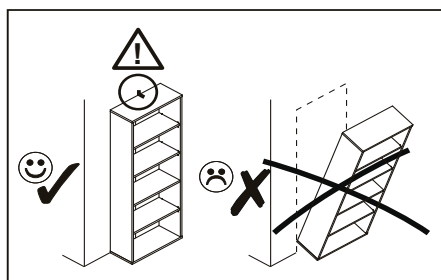
13▶

D0	3 x 15 mm	x24	M1		x24
					

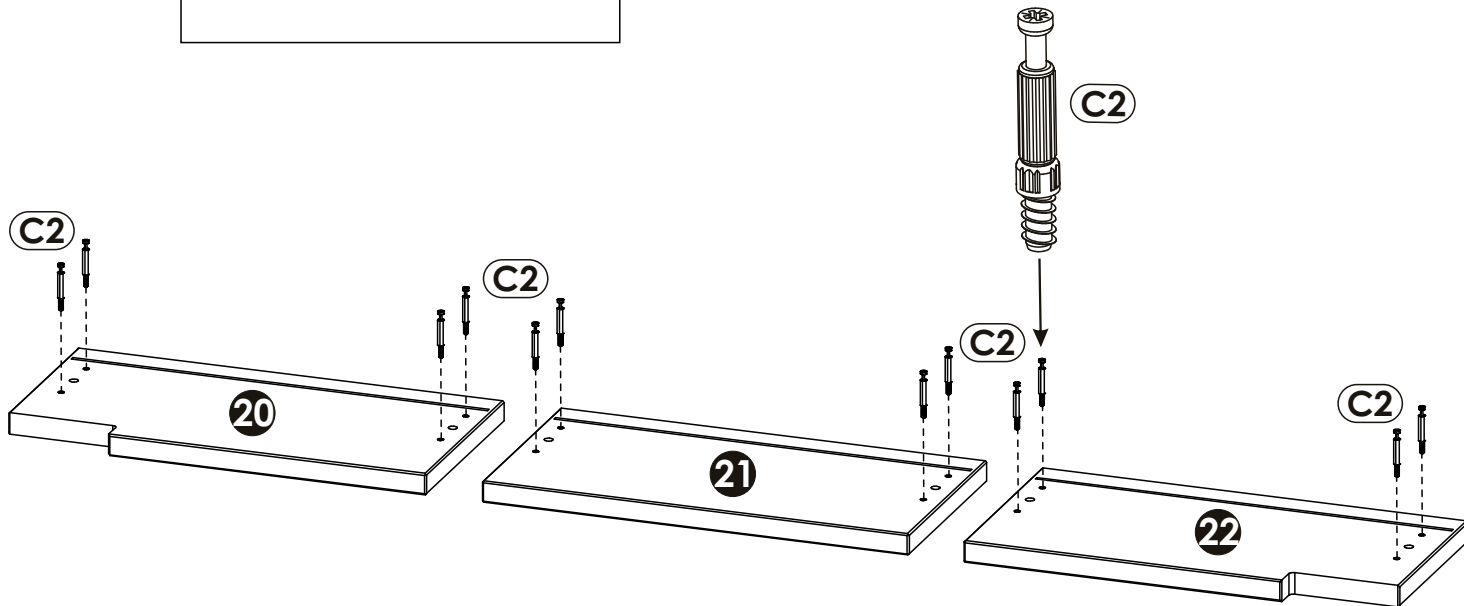
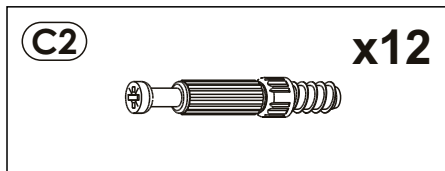


14▶

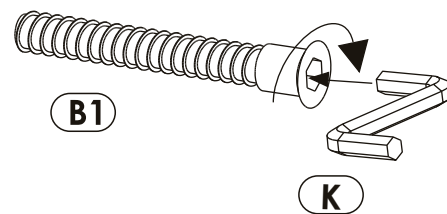
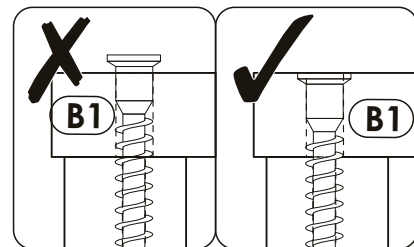
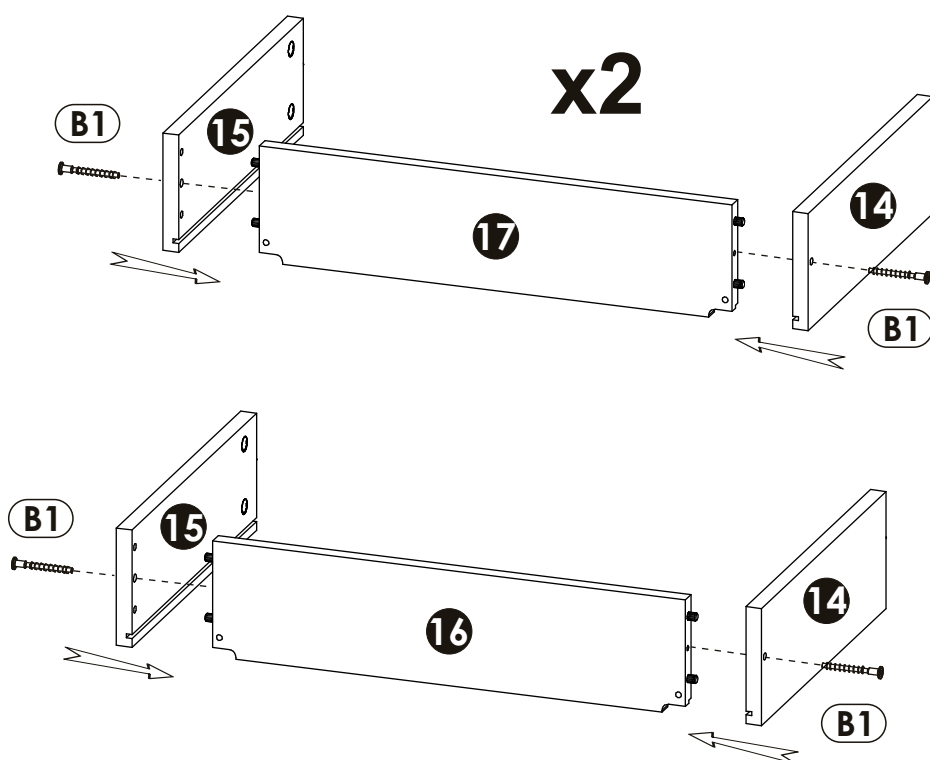
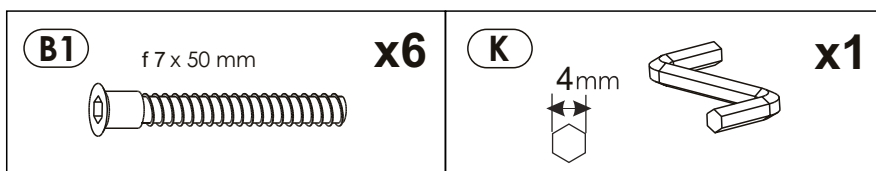
E0	5 x 50 mm	x2
	8 x 50 mm	
		



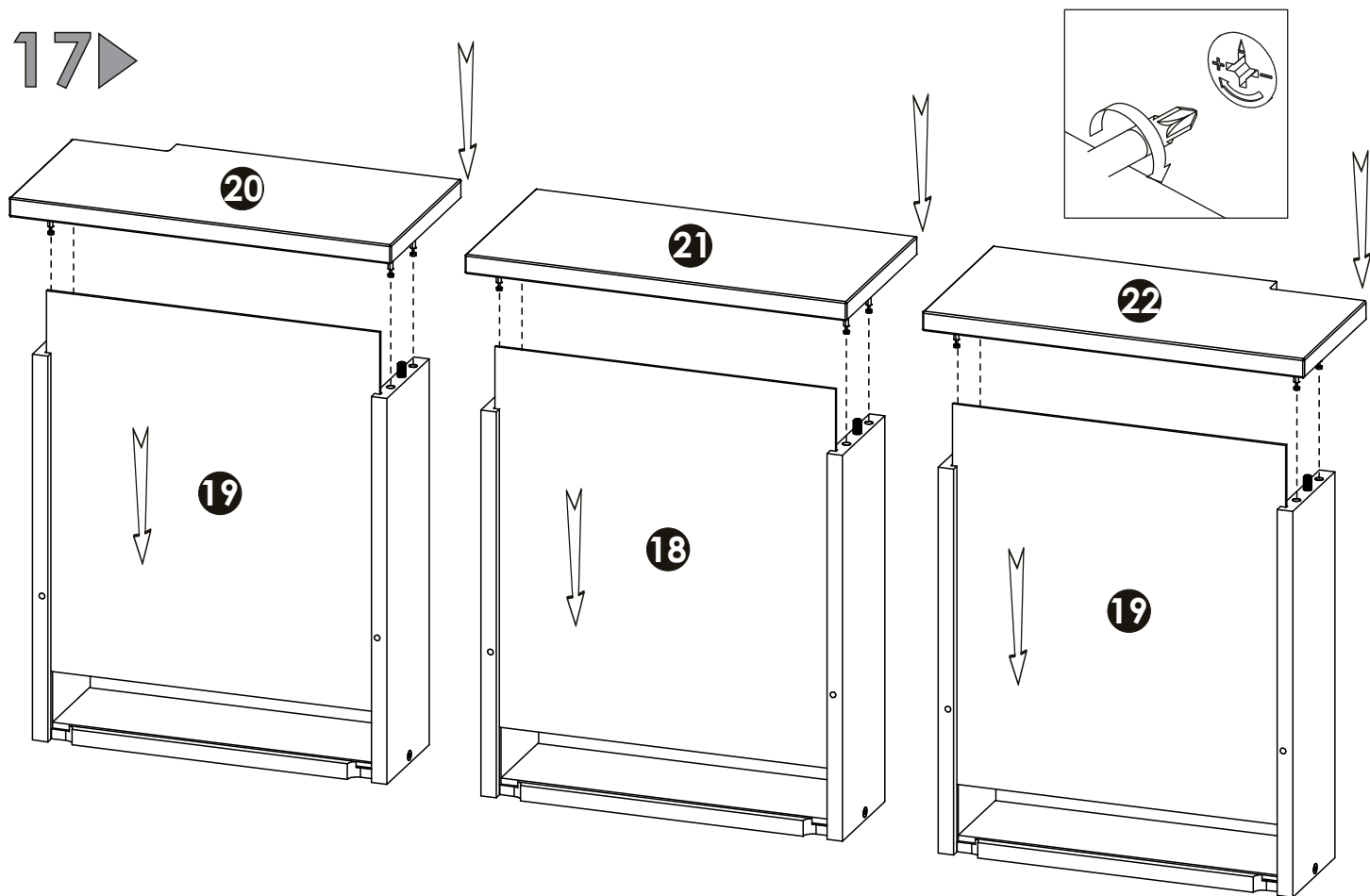
15▶



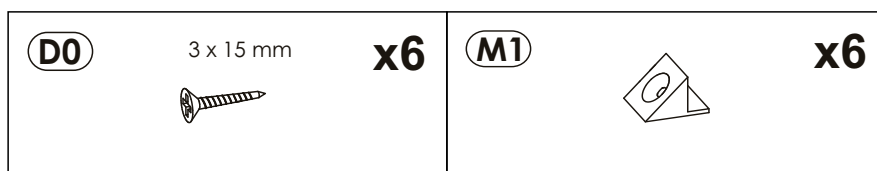
16▶



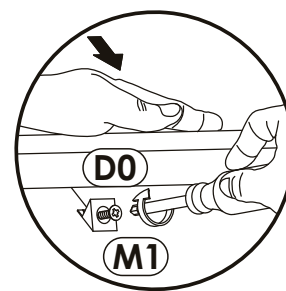
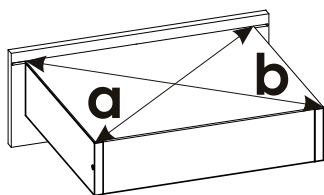
17▶



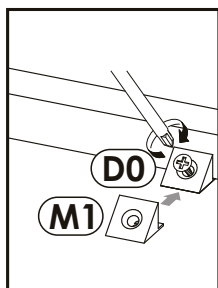
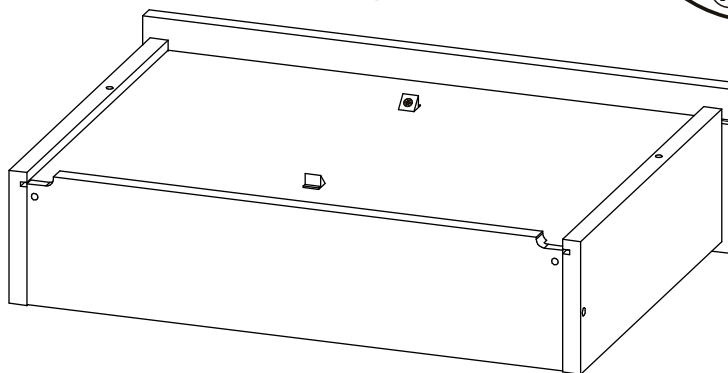
18▶



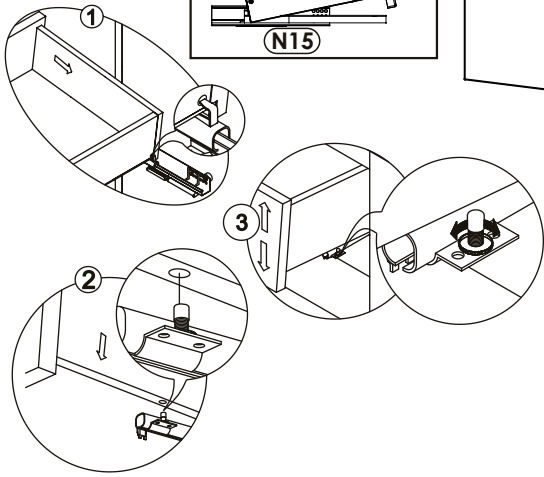
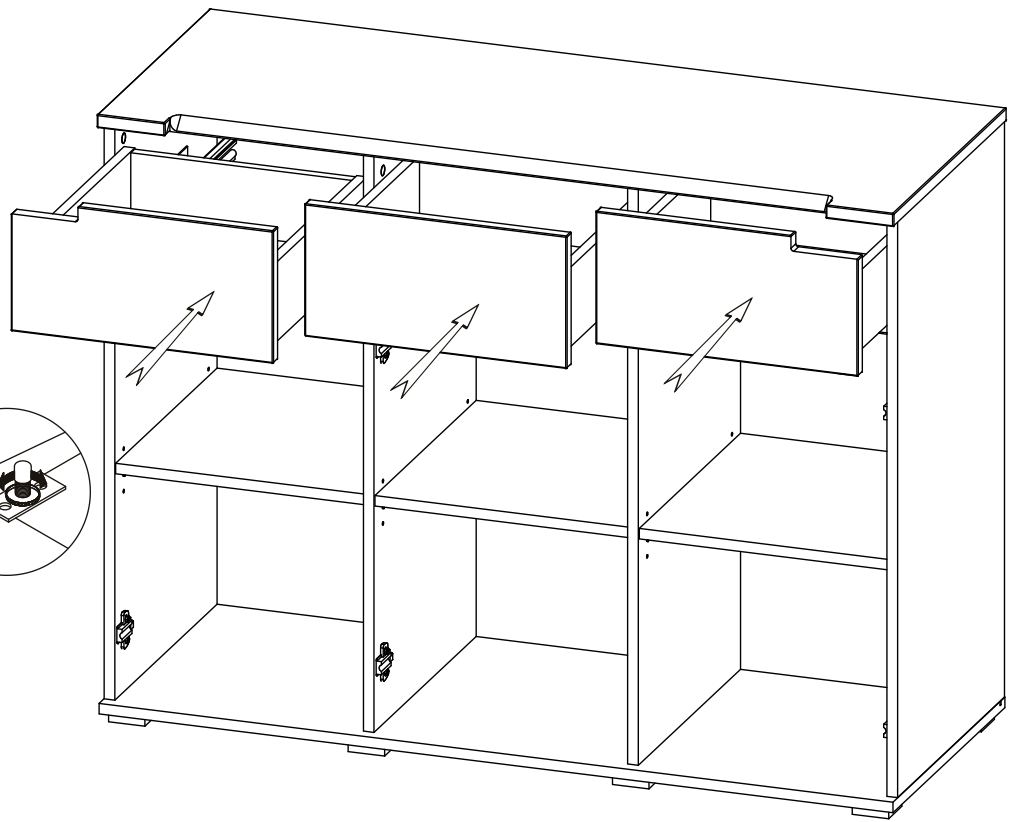
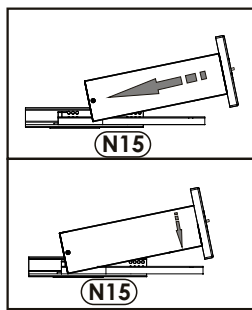
a=b



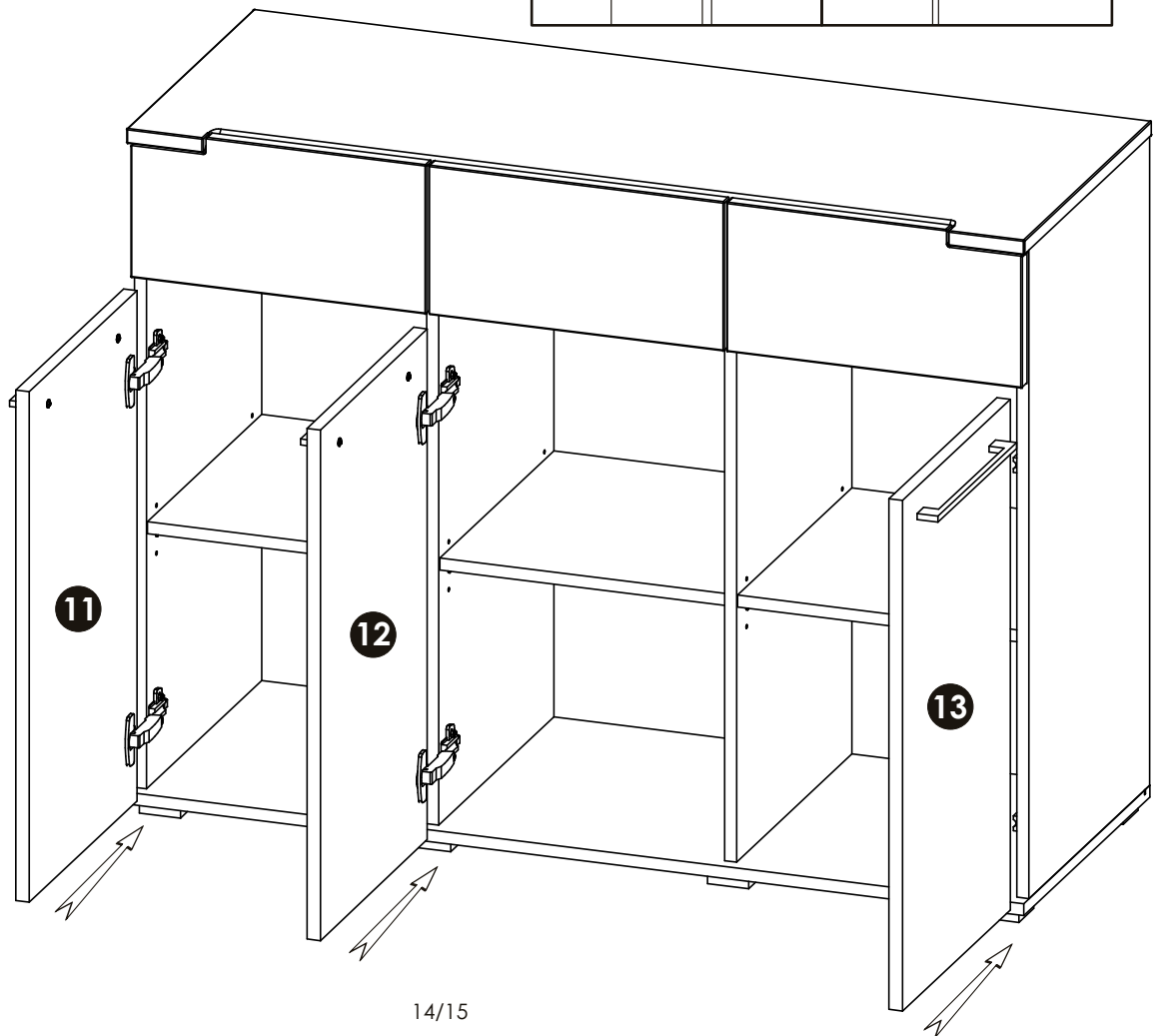
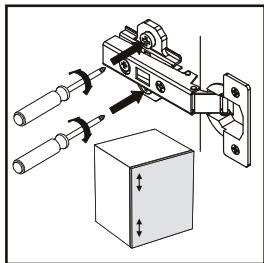
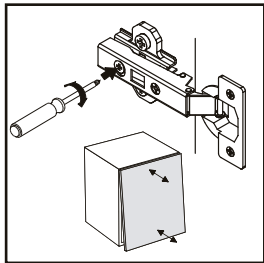
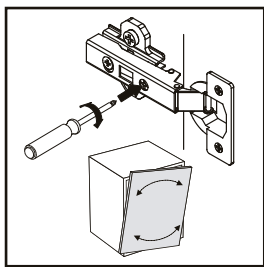
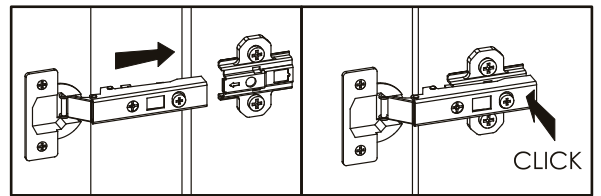
x3



19▶



20▶



21 ▶

