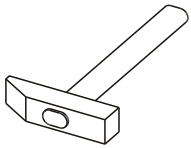
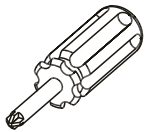
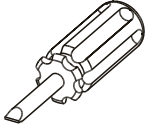
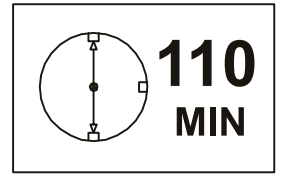
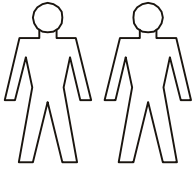
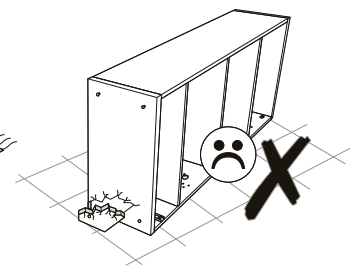
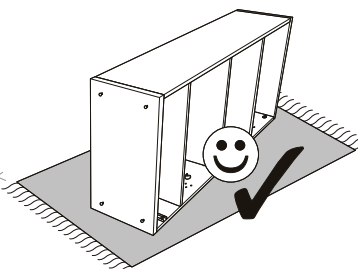
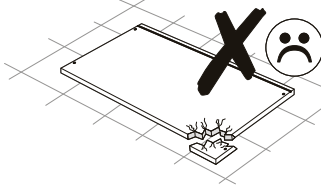
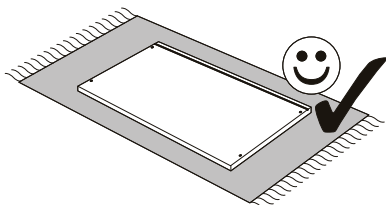
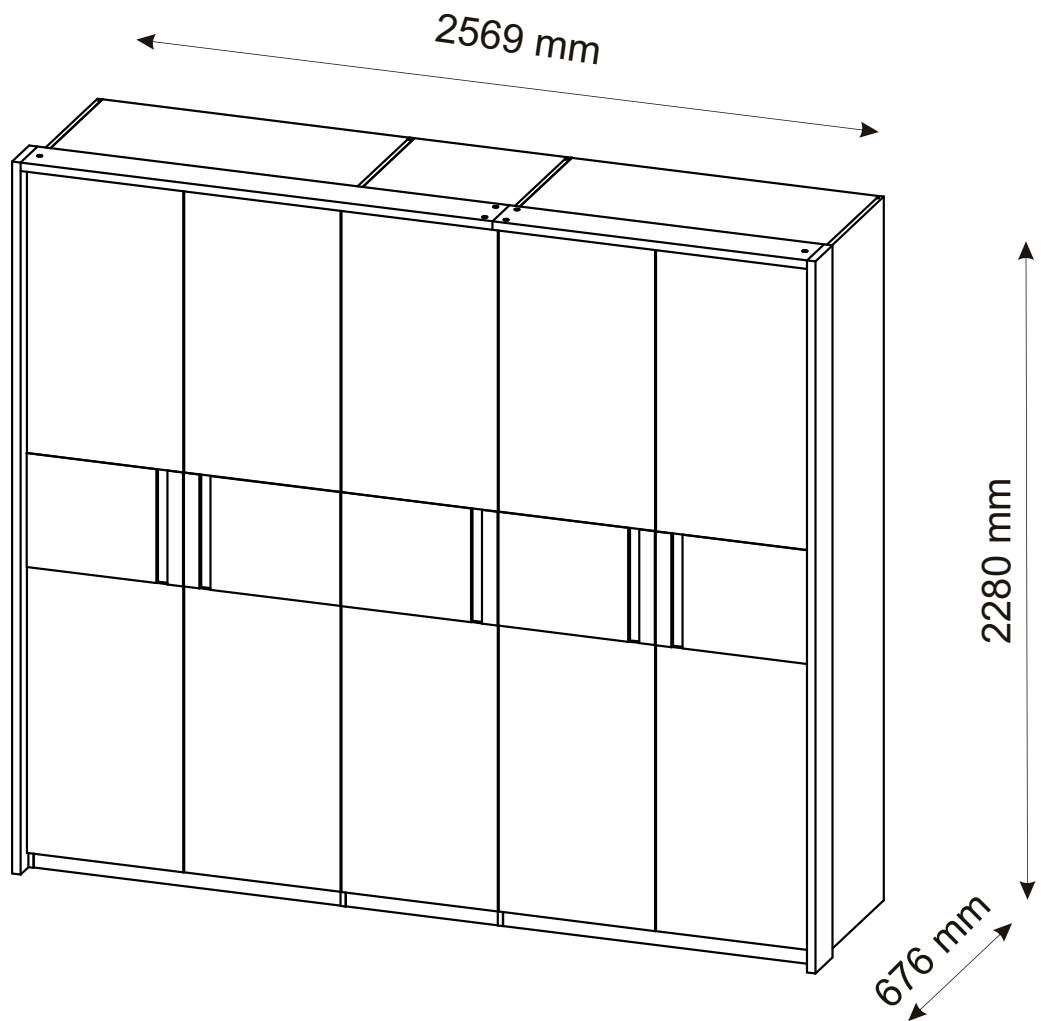
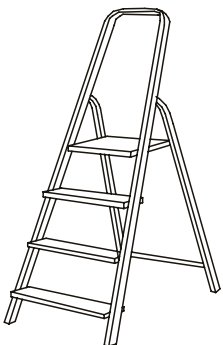







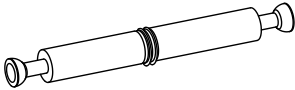
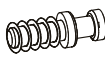




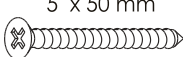

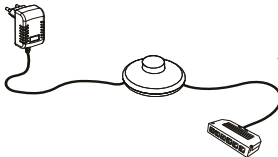

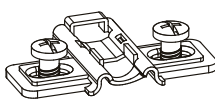
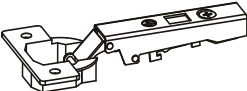
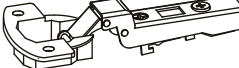
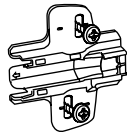
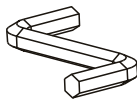


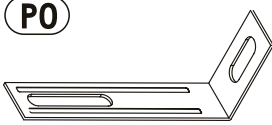



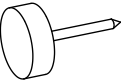
FEEL - Drehtürenschränk 5T

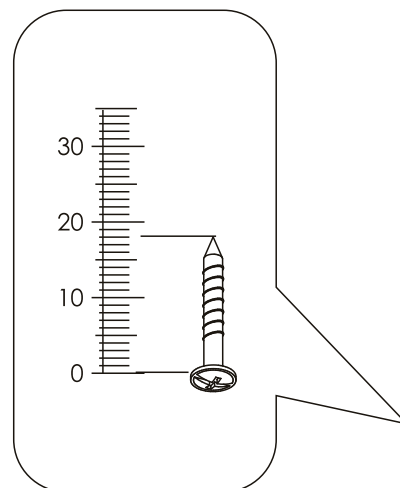
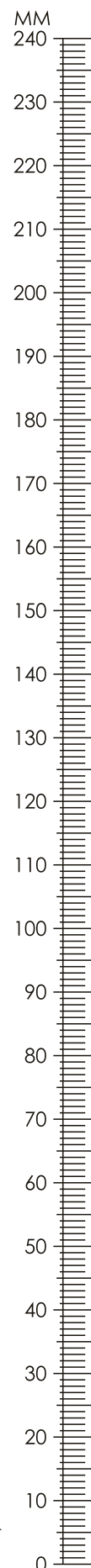


Ø8





FEEL - Drehtürenschränk 5T

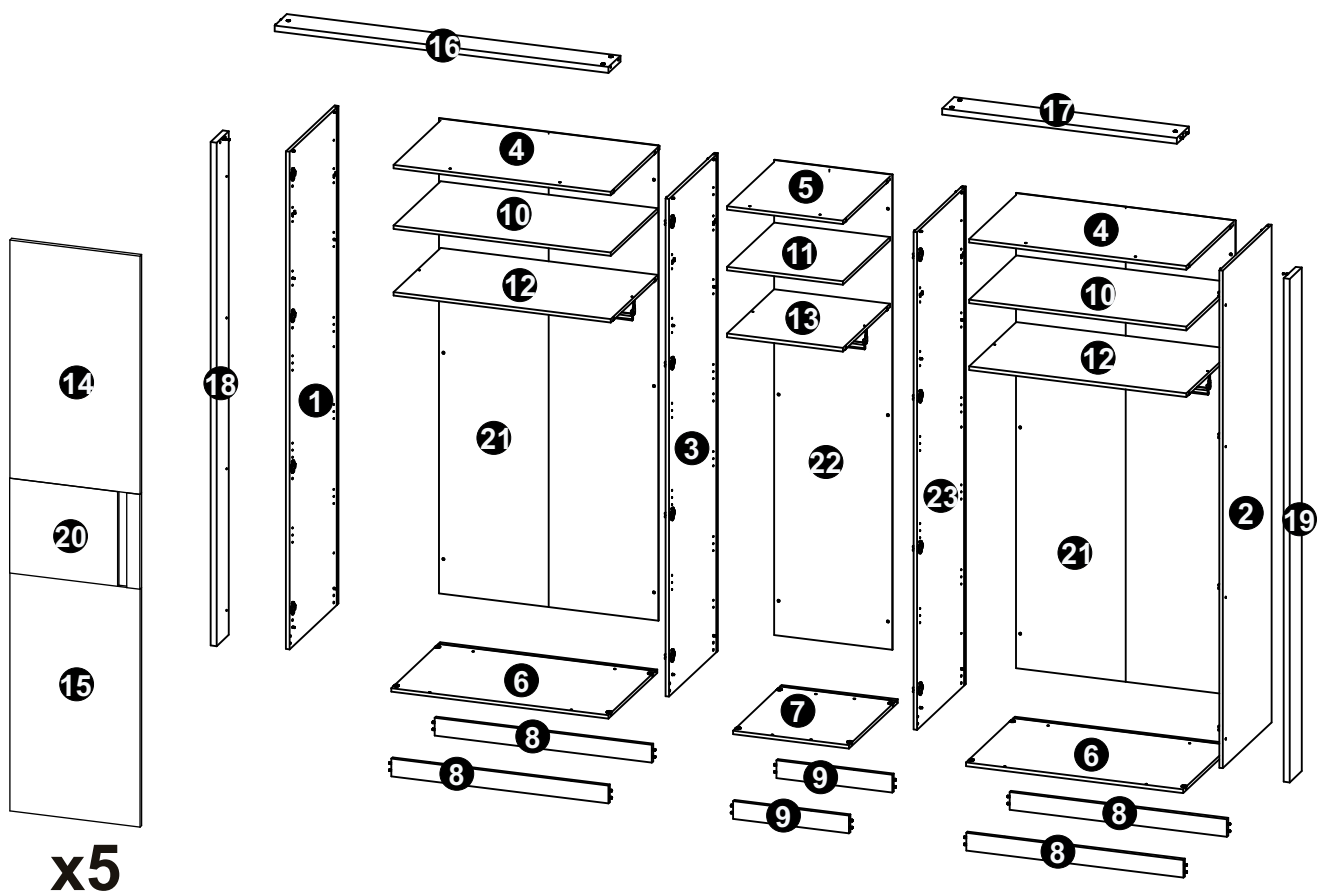
B0  x25	B1 f 7 x 50 mm  x12	B6 f 7 x 38 mm  x13
C0  x40	C2  x2	C5  x22
C10 6.3 x 20 mm  x12	C13 6,3 x 16 mm  x24	D10 4 x 16 mm  x40
D21 5 x 13 mm  x3	D30 EURO 6,3 x 13 mm  x18	E0 5 x 50 mm 8 x 50 mm   x3
G4  x1	G11  x5	J3  x8
J10  x8	J13  x12	J14  x12
K 4mm  x1	M0  x18	O1  x6
P0  x3	Q3  x12	S0 L-480mm  x1
S0 L-975mm  x2	T3  x22	

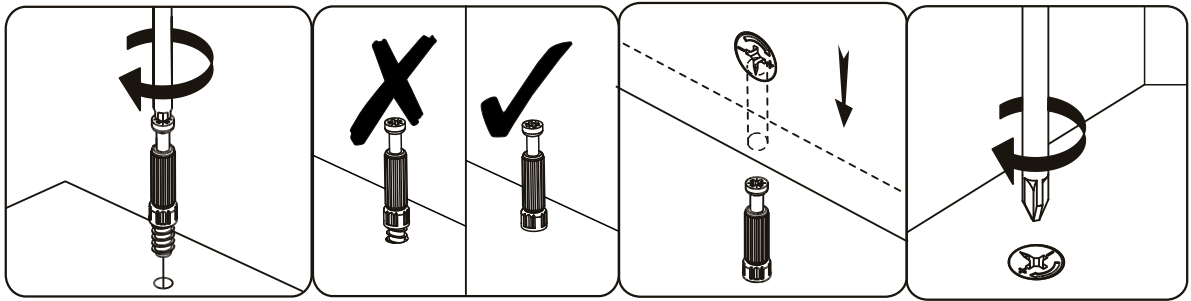


FEEL - Drehtürenschränk 5T

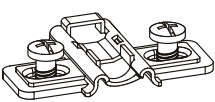
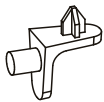
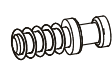
1	2250	606	16	1	1/11
2	2250	606	16	1	1/11
3	2250	606	16	1	2/11
4	982	606	16	2	4/11
5	487	606	16	1	3/11
6	982	606	16	2	4/11
7	487	606	16	1	3/11
8	982	80	16	4	5/11
9	487	80	16	2	3/11
10	982	585	16	2	5/11
11	487	585	16	1	3/11
12	982	585	16	2	5/11
13	487	585	16	1	3/11

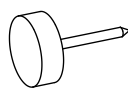
14	915	500	18	4	6/11
14	915	500	18	1	8/11
15	915	500	18	4	7/11
15	915	500	18	1	8/11
16	1510	150	27	1	10/11
17	1006	150	27	1	10/11
18	2277	150	27	1	10/11
19	2277	150	27	1	10/11
20	500	364	20	5	9/11
21	2148	992	3	2	2/11
22	2148	496	3	1	2/11
23	2250	606	16	1	3/11
24				3	5/11
25				1	11/11

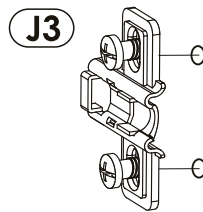
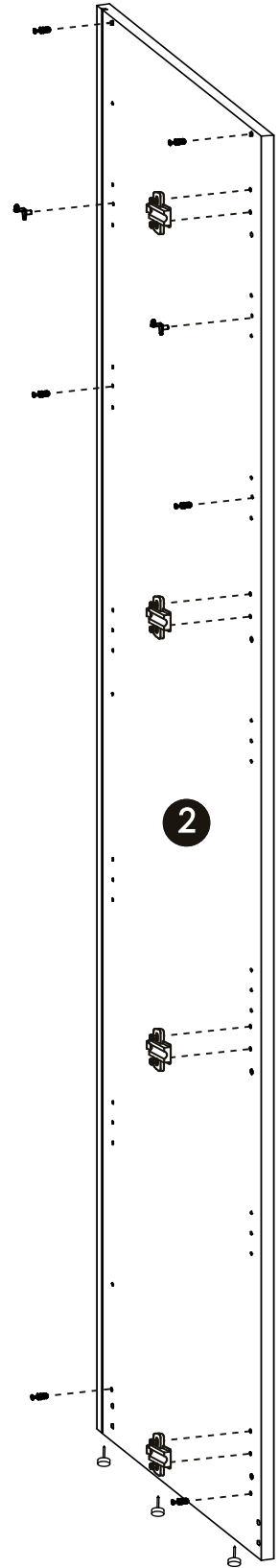
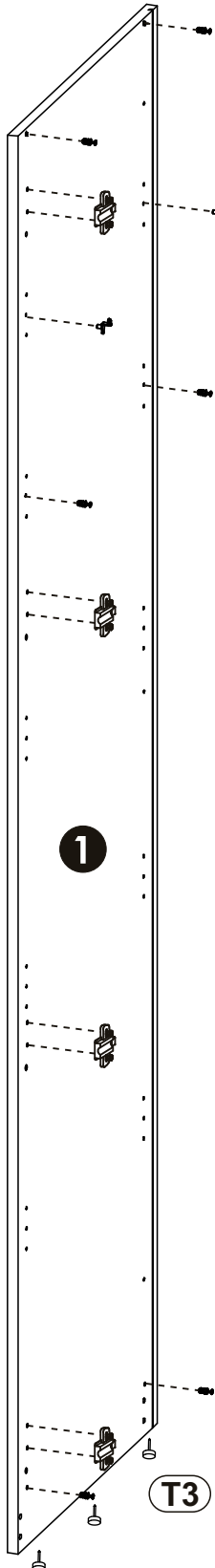




1 ▶

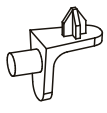

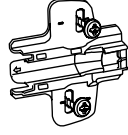
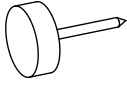


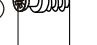
<p>J3</p>  <p>x8</p>	<p>Q3</p>  <p>x4</p>	<p>C10 6.3 x 20 mm x12</p> 
---	---	--

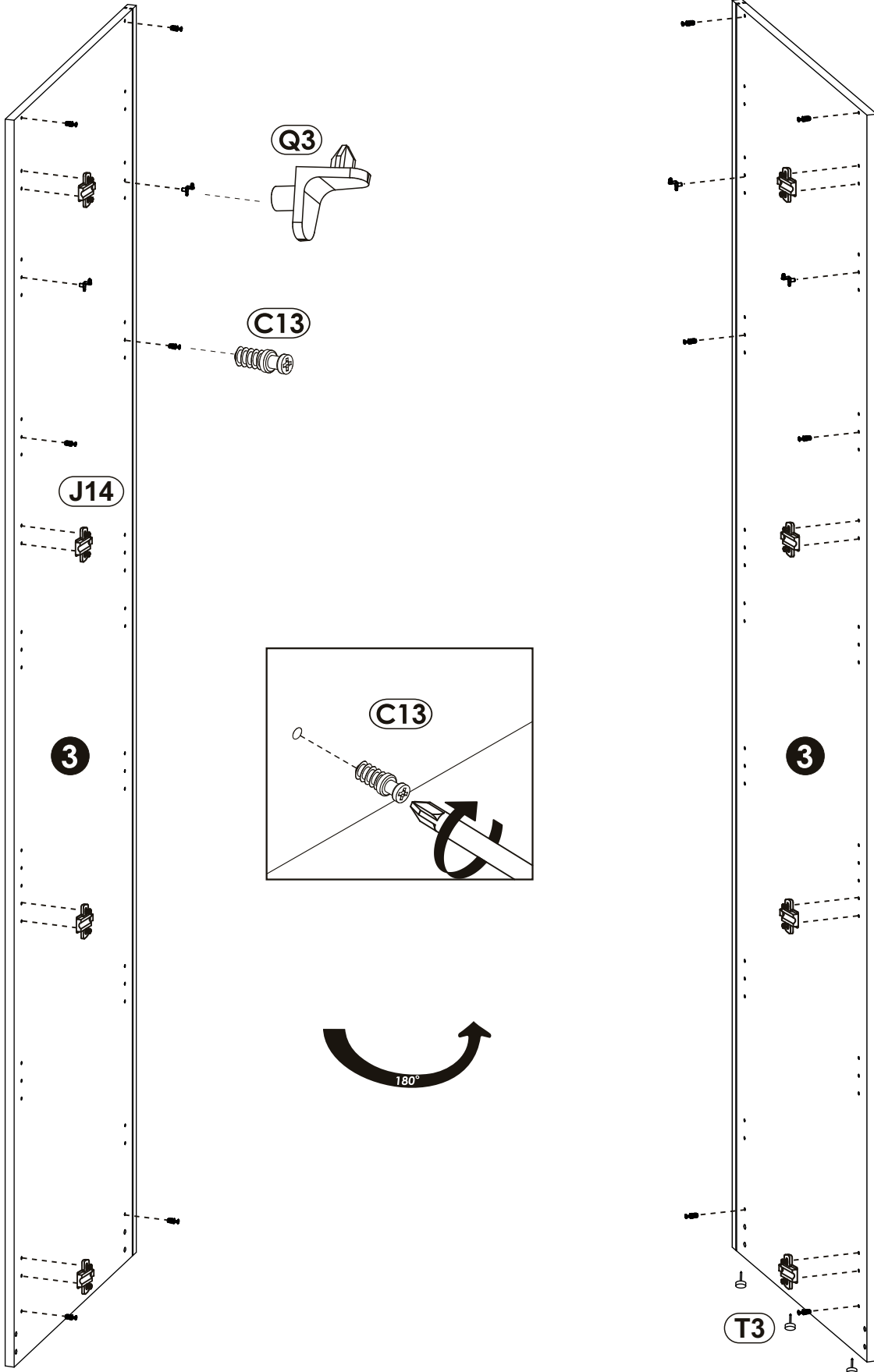
<p>T3</p>  <p>x6</p>





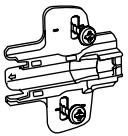
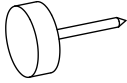


T3

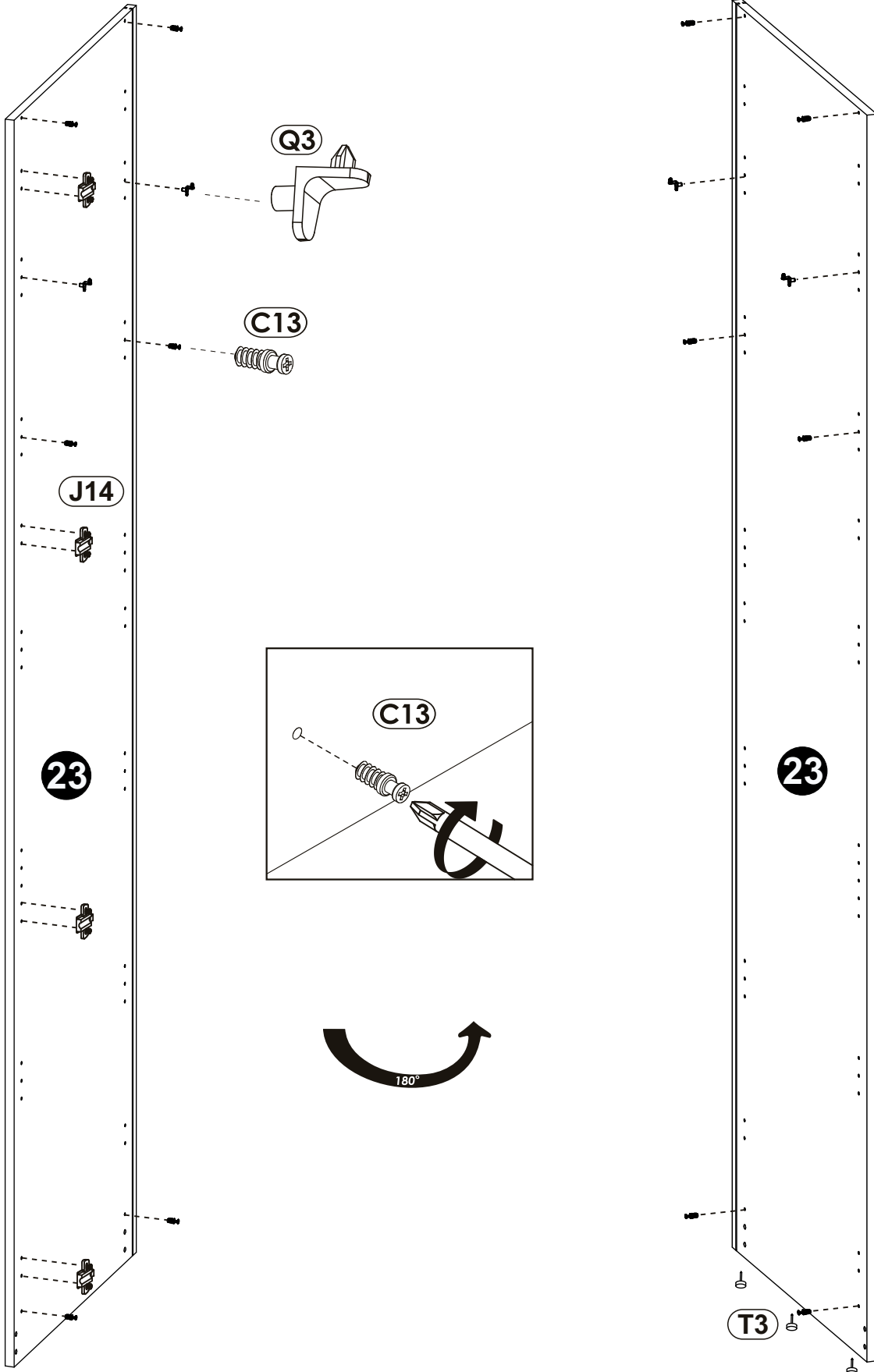
2 ▶

Q3  x4	C13 6,3 x 16 mm  x12	J14  x8
T3  x3	C10 6,3 x 20 mm  20 mm	
		 C13 6,3 x 16 mm  16 mm

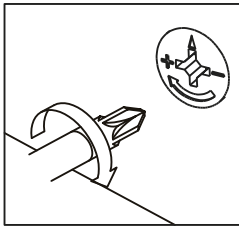
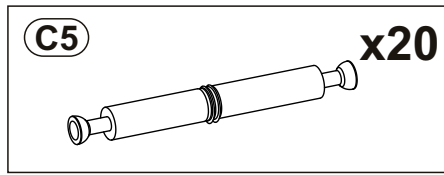


3 ▶

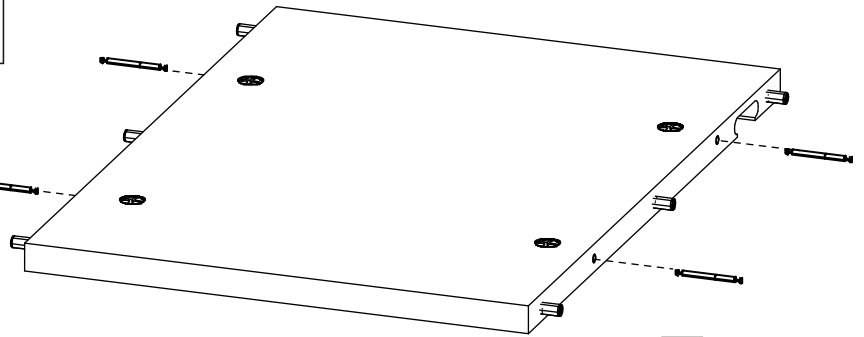
Q3  x4	C13 6,3 x 16 mm  x12	J14  x4
T3  x3	C10 6,3 x 20 mm  20 mm	
		C13 6,3 x 16 mm  16 mm



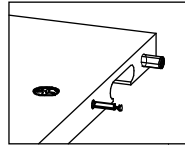
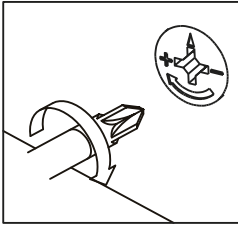
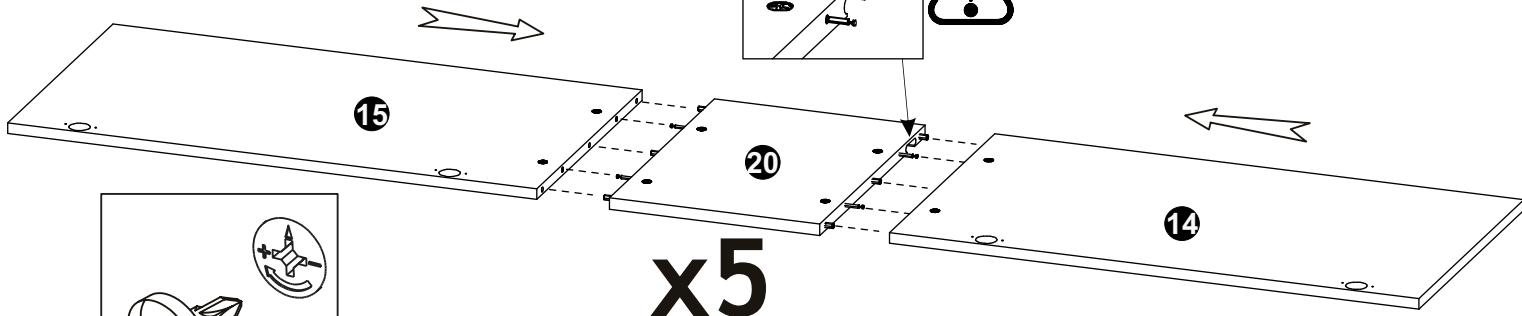
4 ▶



C5

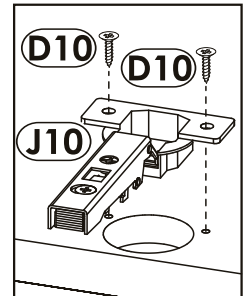
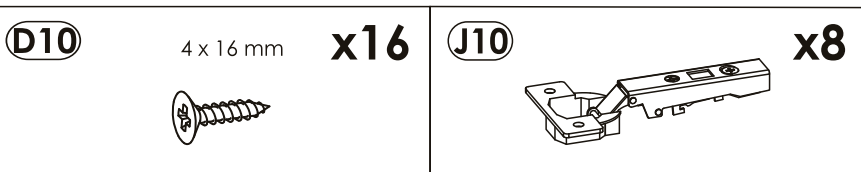


5 ▶

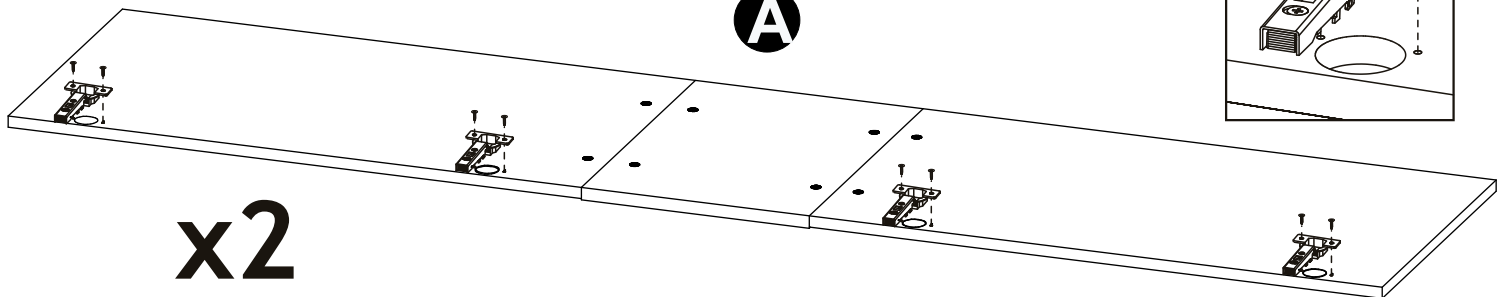


x5

6 ▶

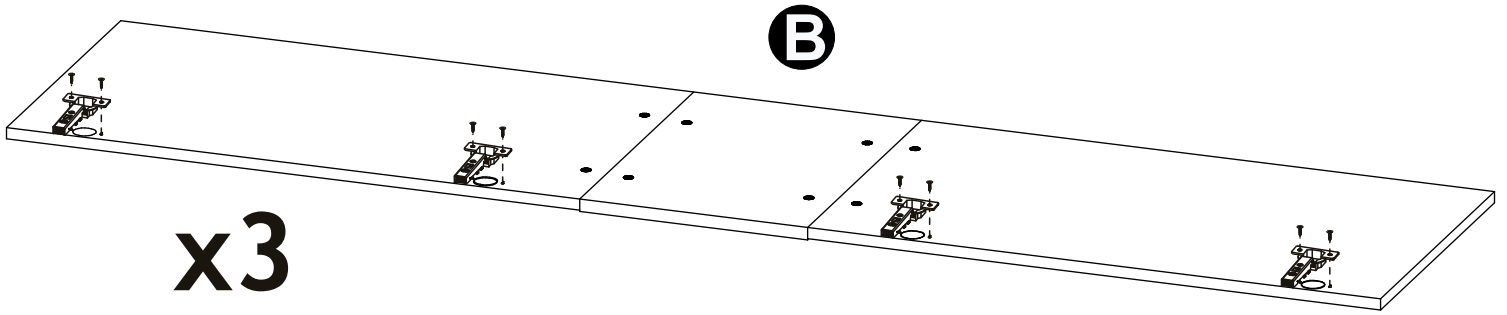
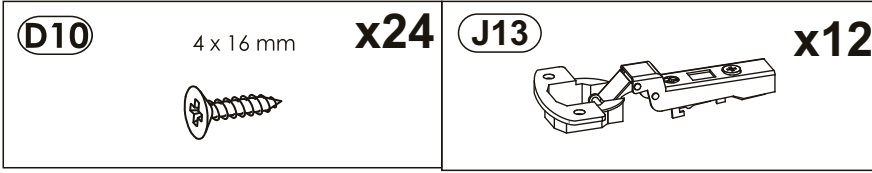


A

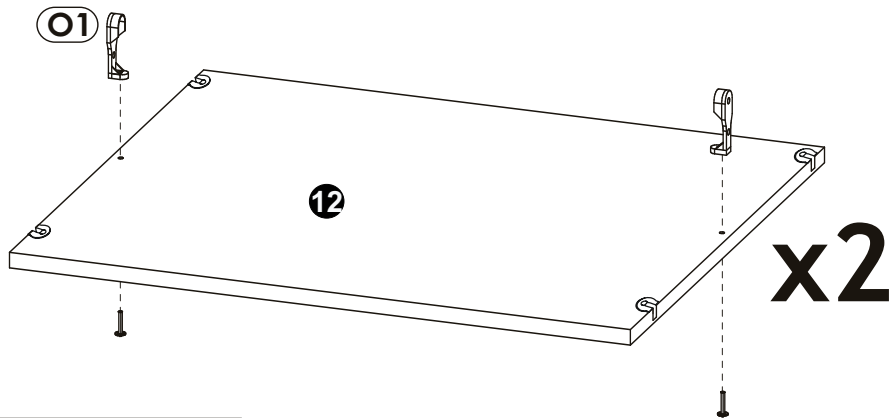
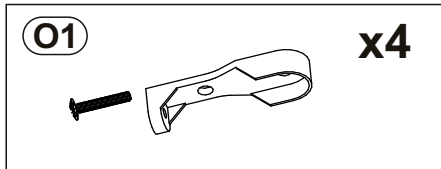


x2

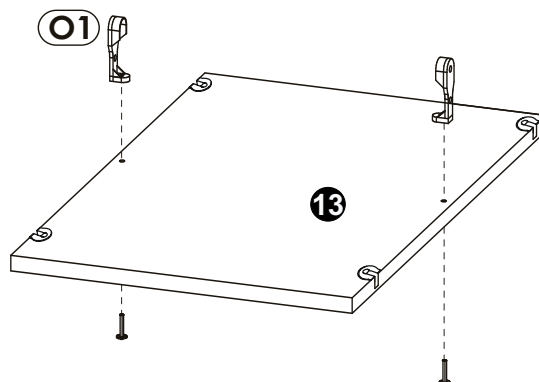
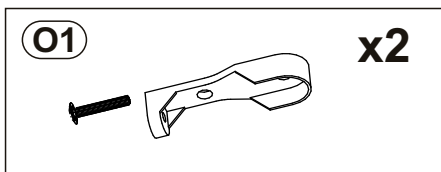
7 ▶



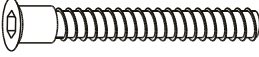
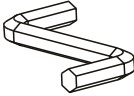
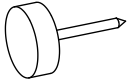
8 ▶

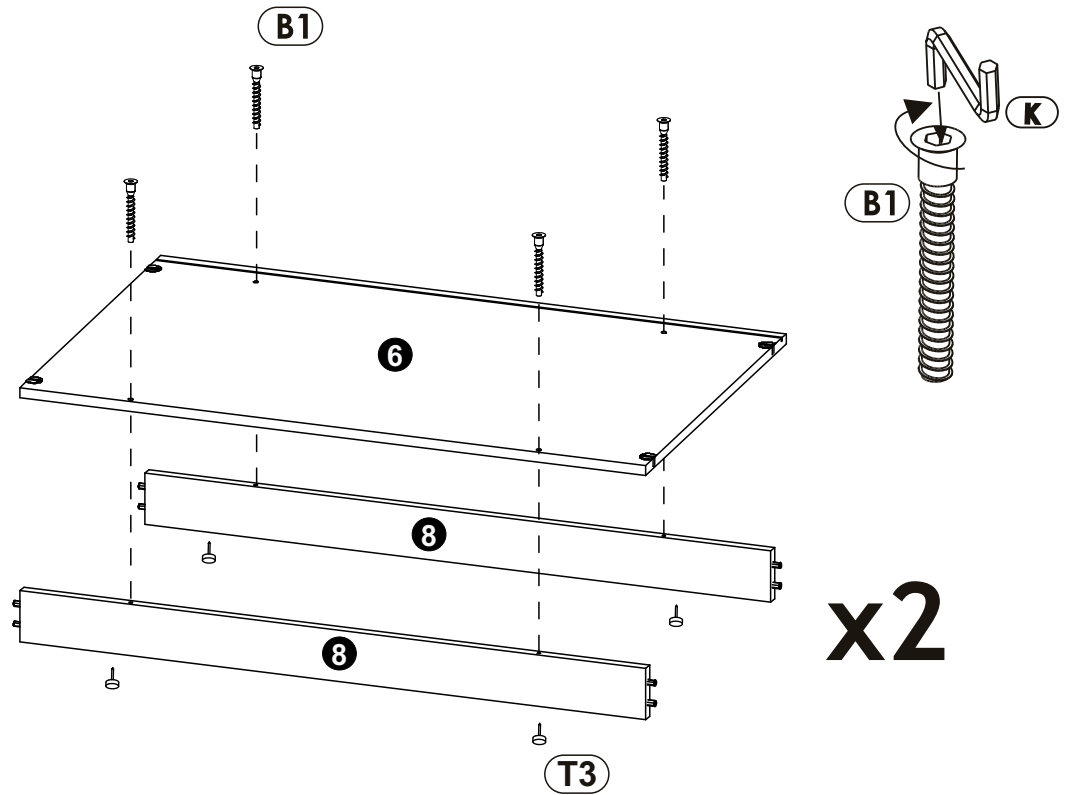


9 ▶


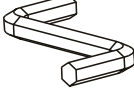
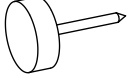


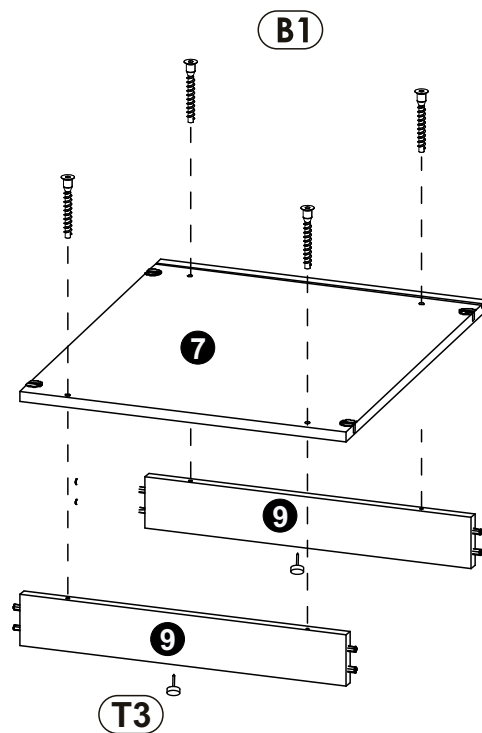
10 ▶

<p>(B1) f 7 x 50 mm x8</p> 	<p>(K) 4mm x1</p> 	<p>(T3) x8</p> 
--	---	--

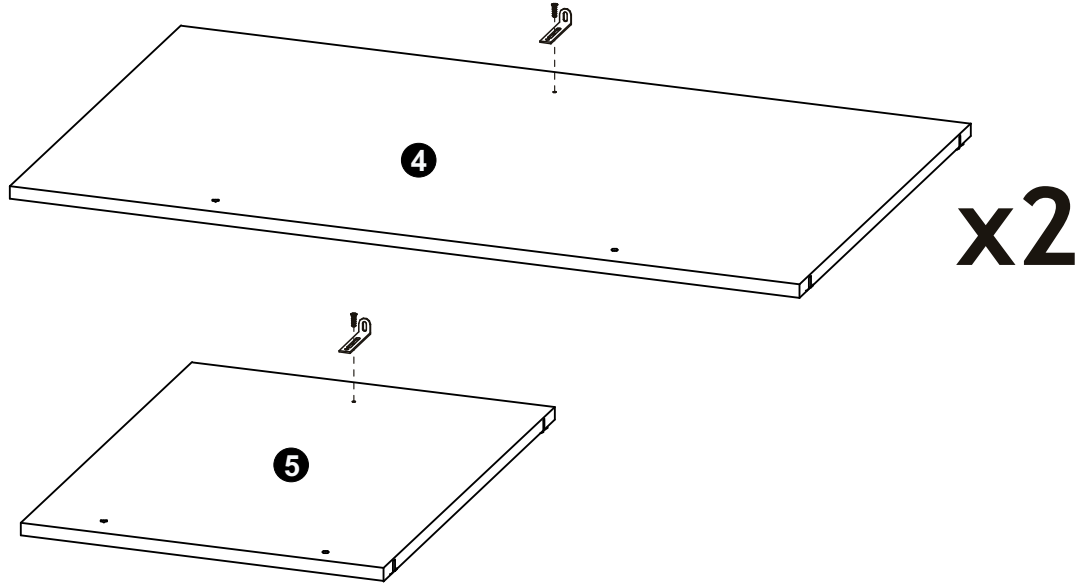
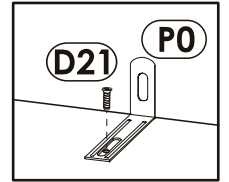
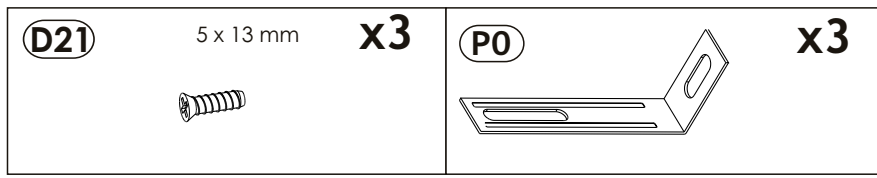


11 ▶

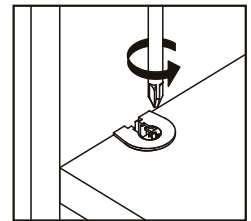
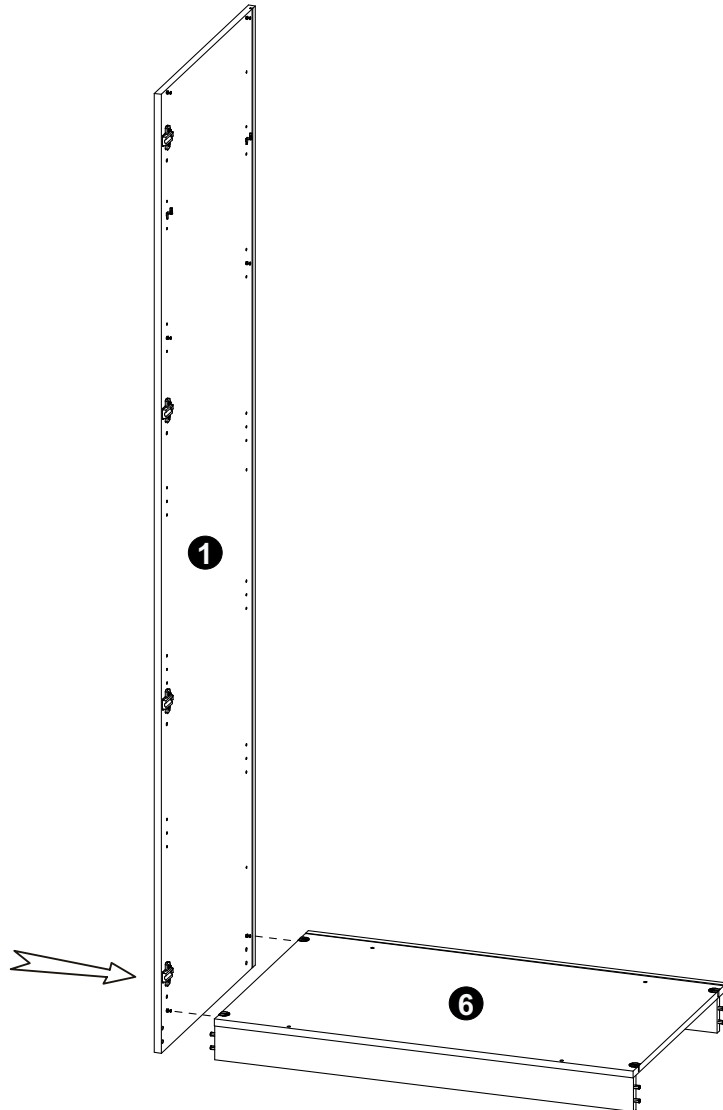
<p>(B1) f 7 x 50 mm x4</p> 	<p>(K) 4mm x1</p> 	<p>x2</p> 
--	---	--



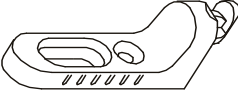

12 ▶

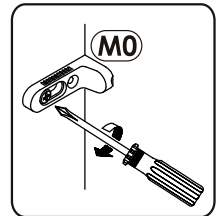
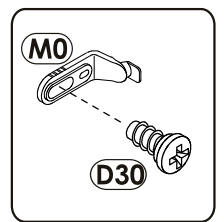
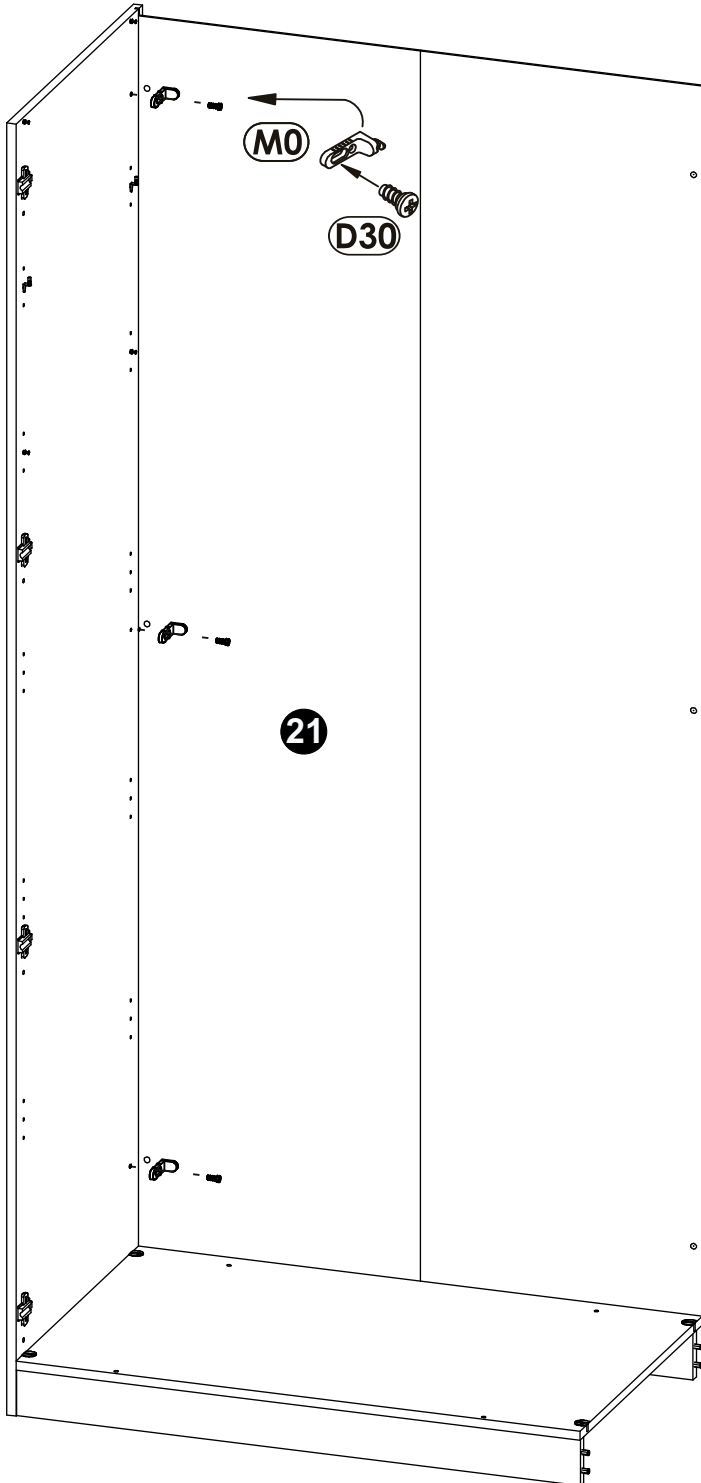


13 ▶

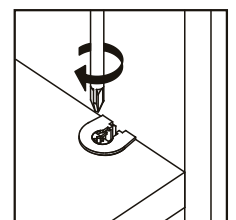
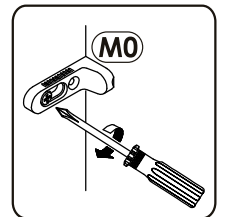
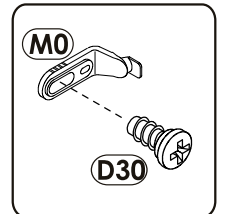
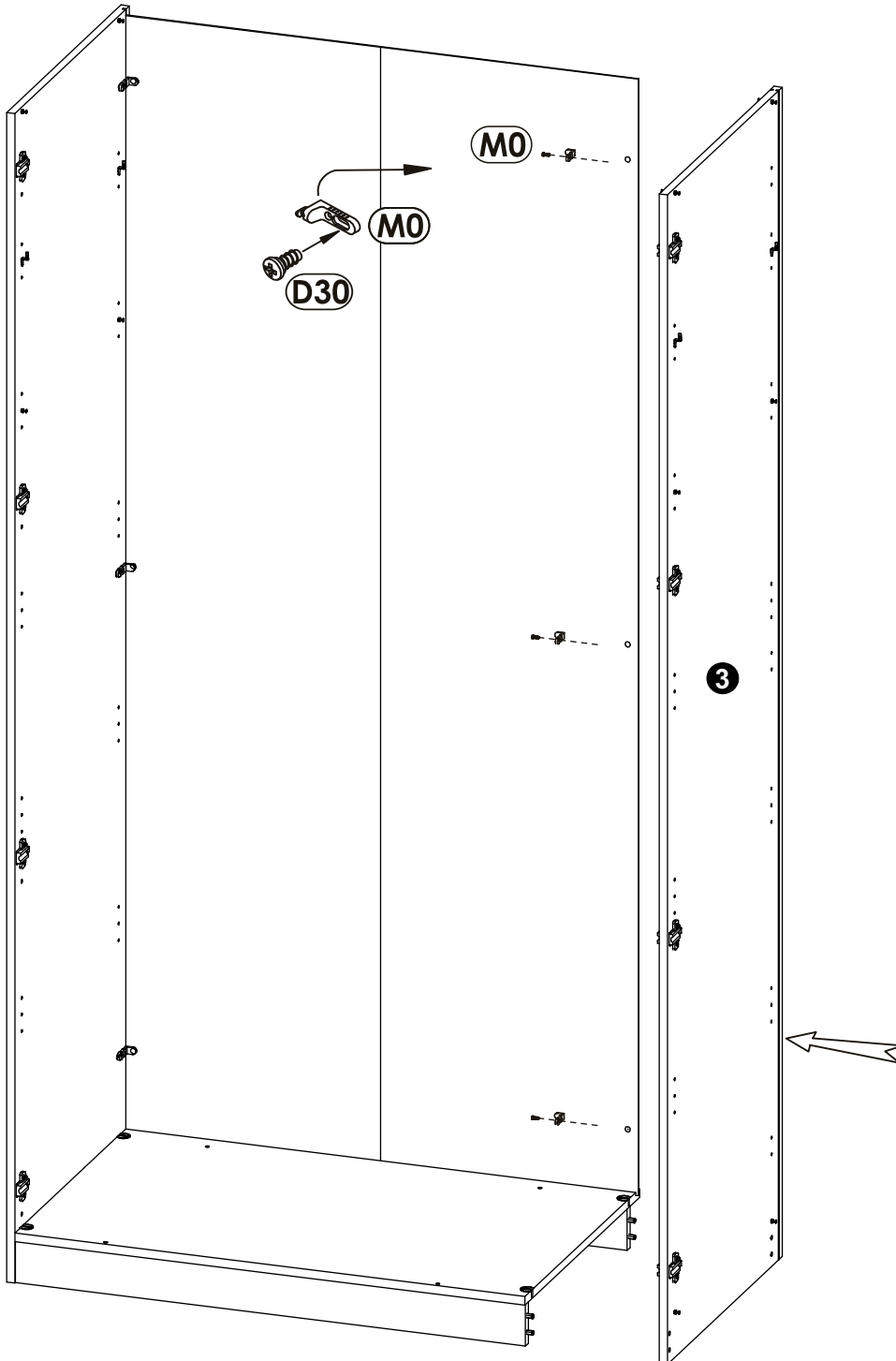
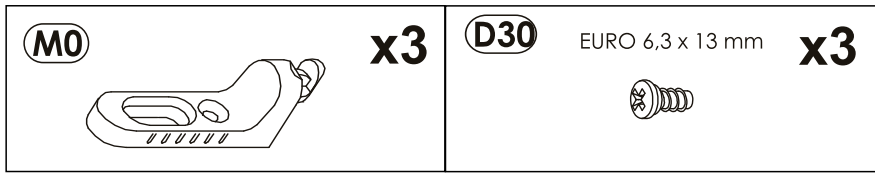


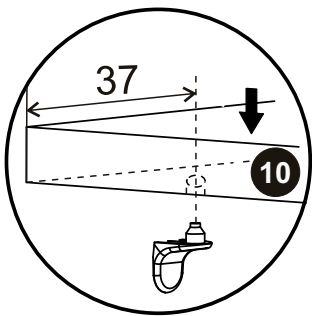
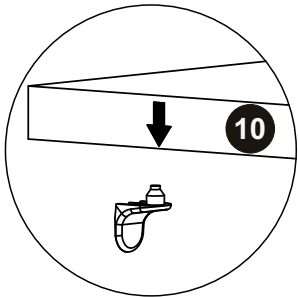
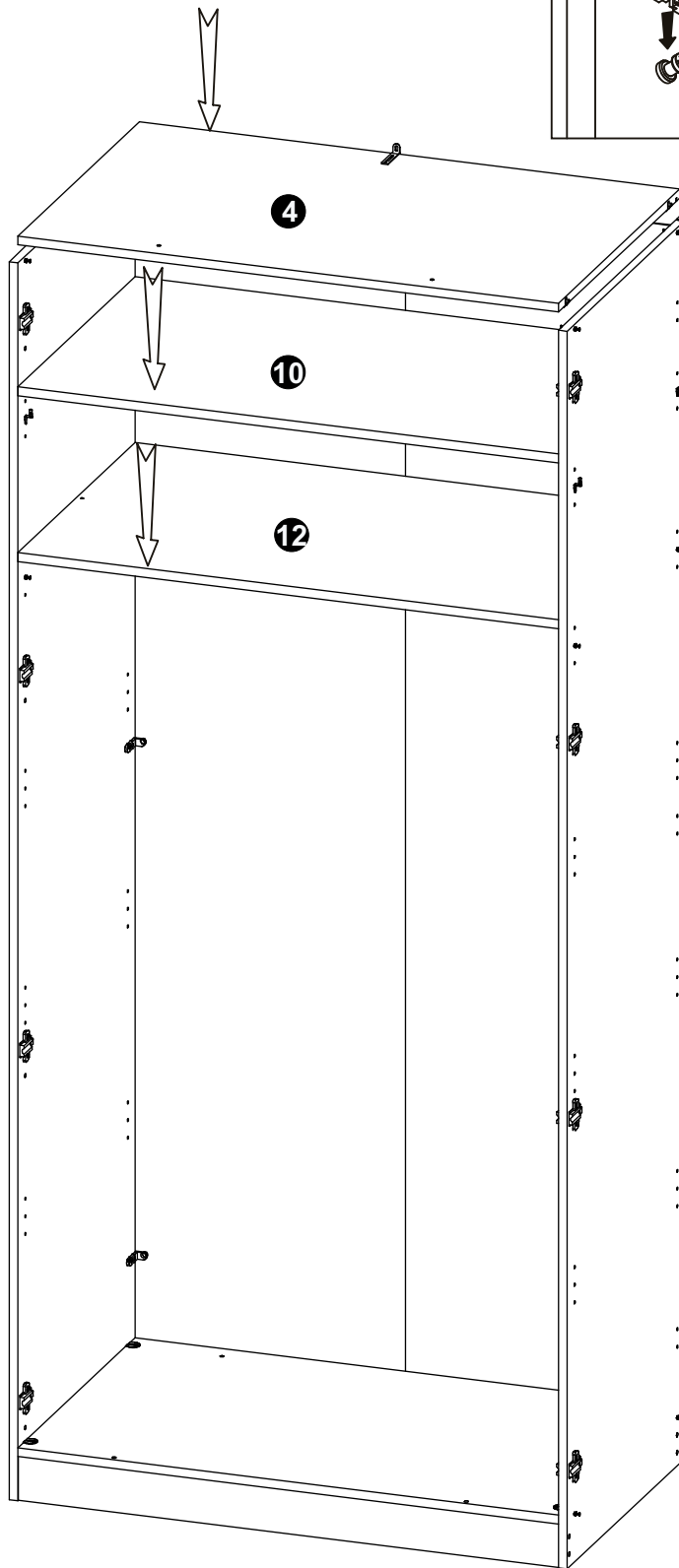
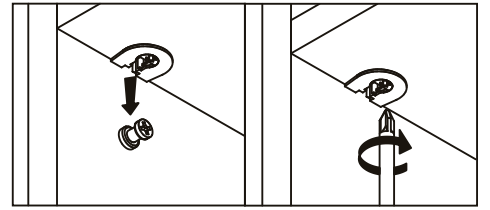
14▶

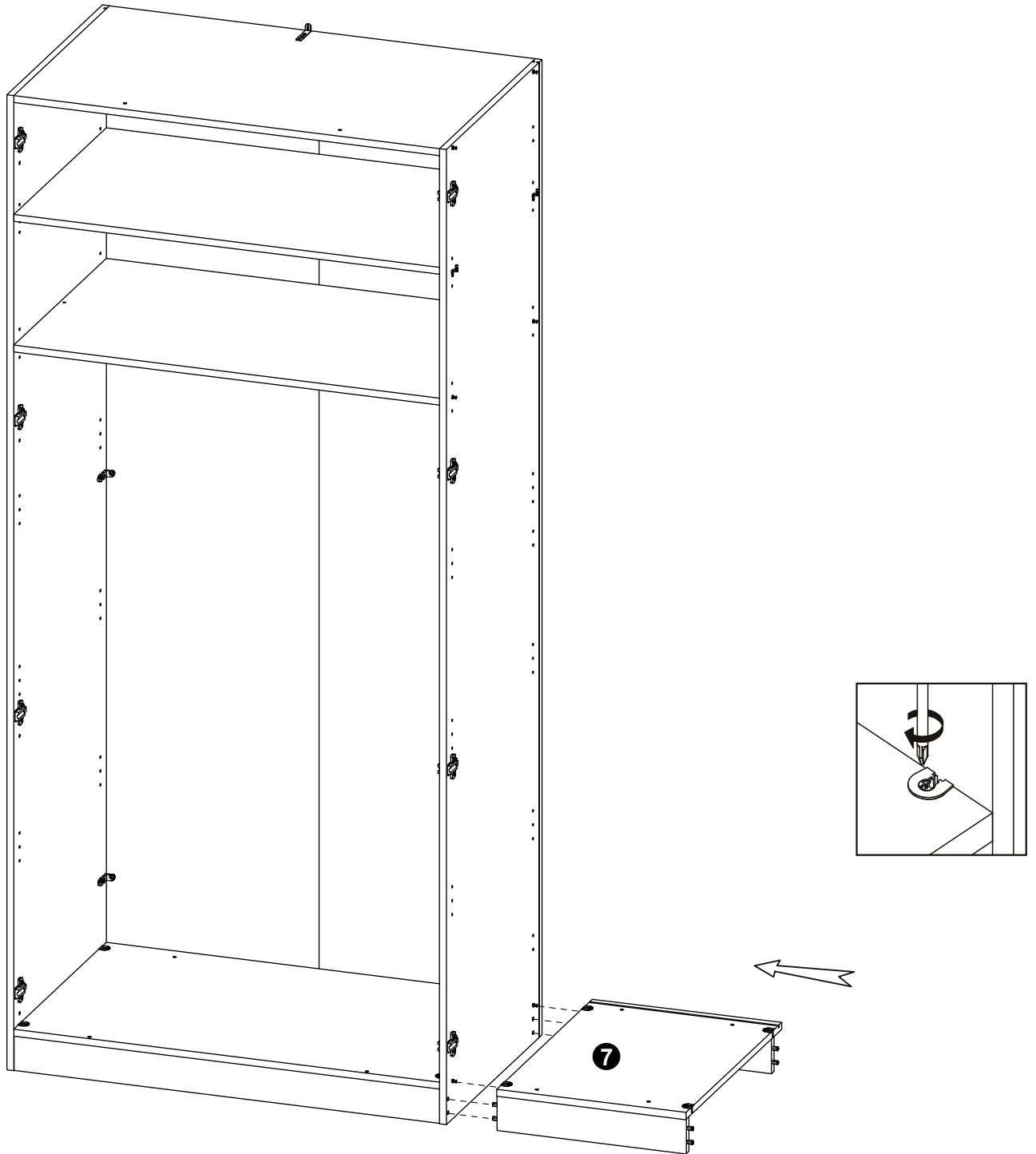
<p>M0</p>  <p>x3</p>	<p>D30 EURO 6,3 x 13 mm x3</p> 
---	--



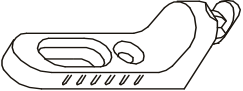

15 ▶

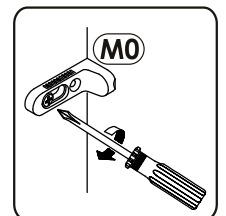
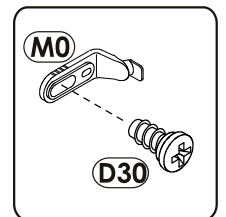
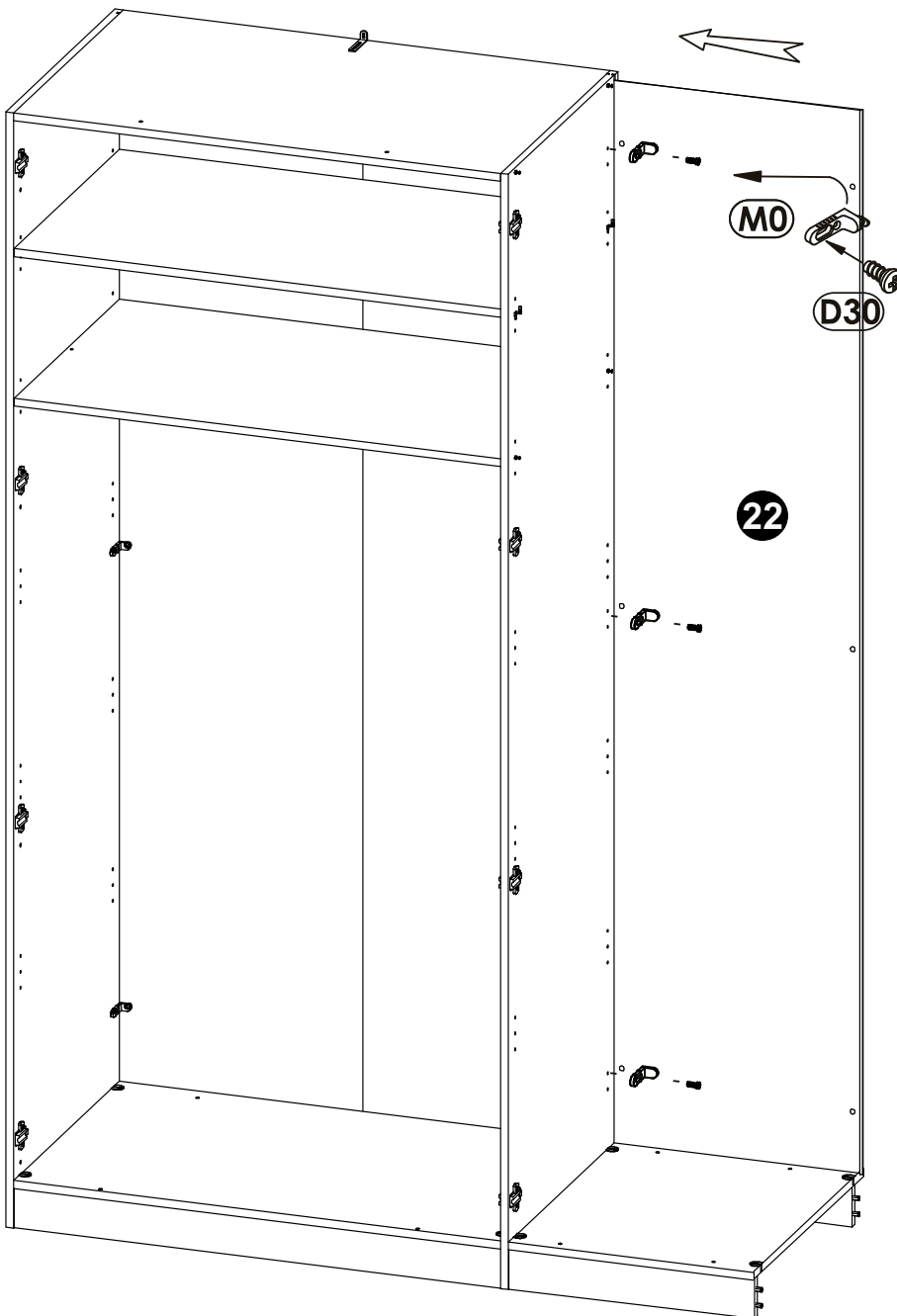




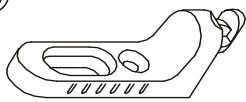



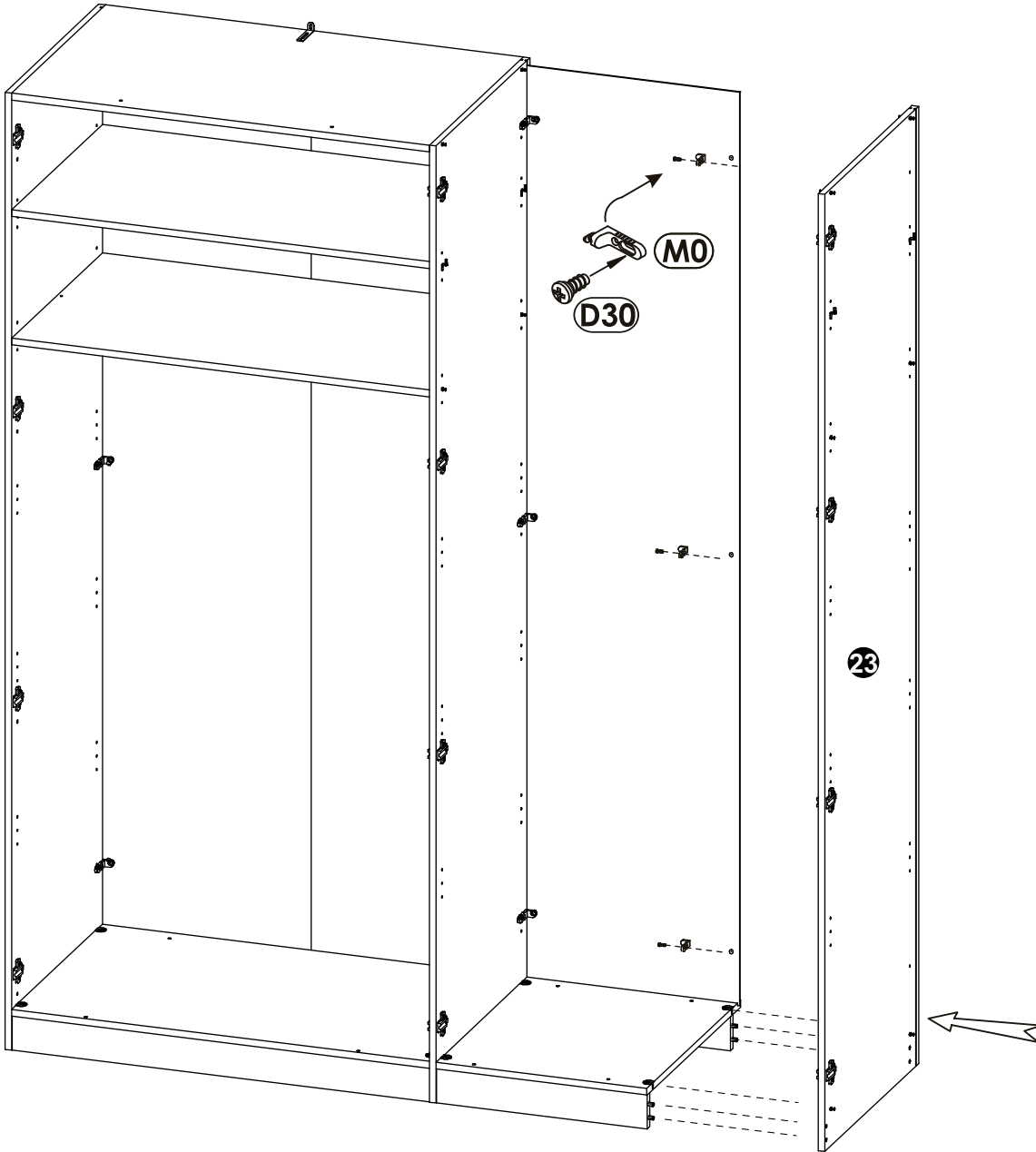
18 ▶

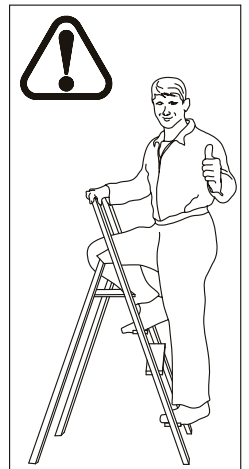
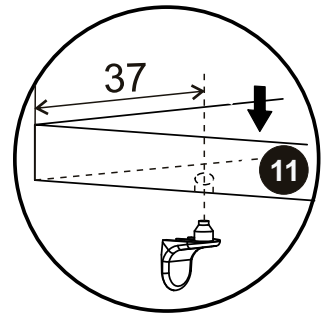
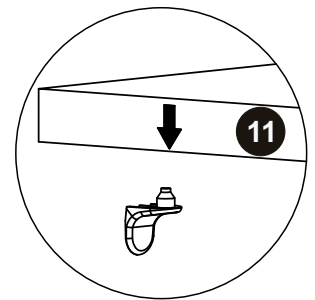
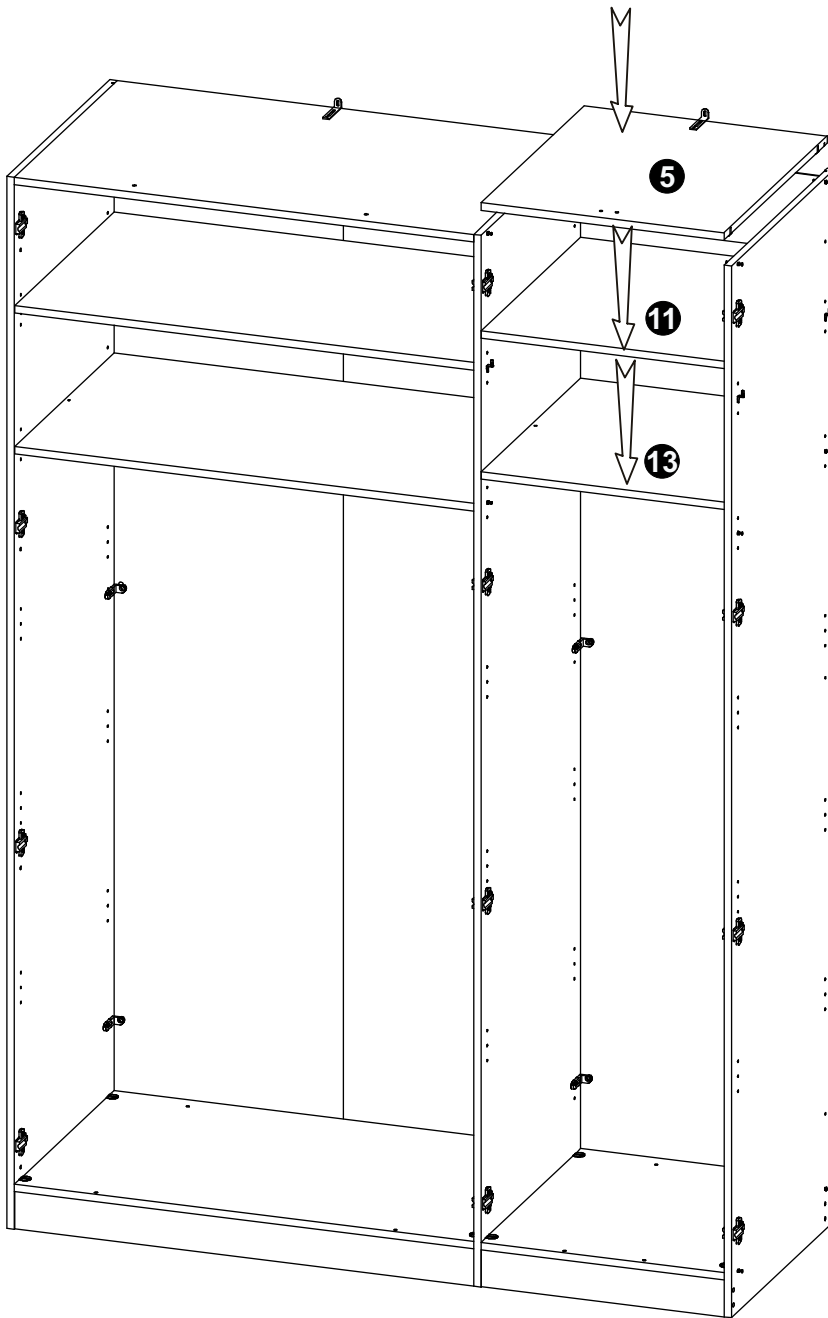
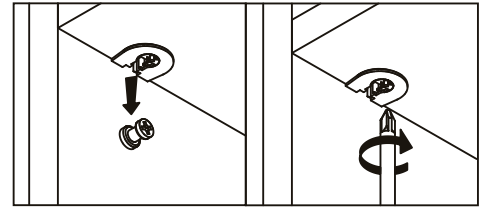
<p>M0</p>  <p>x3</p>	<p>D30 EURO 6,3 x 13 mm x3</p> 
---	--

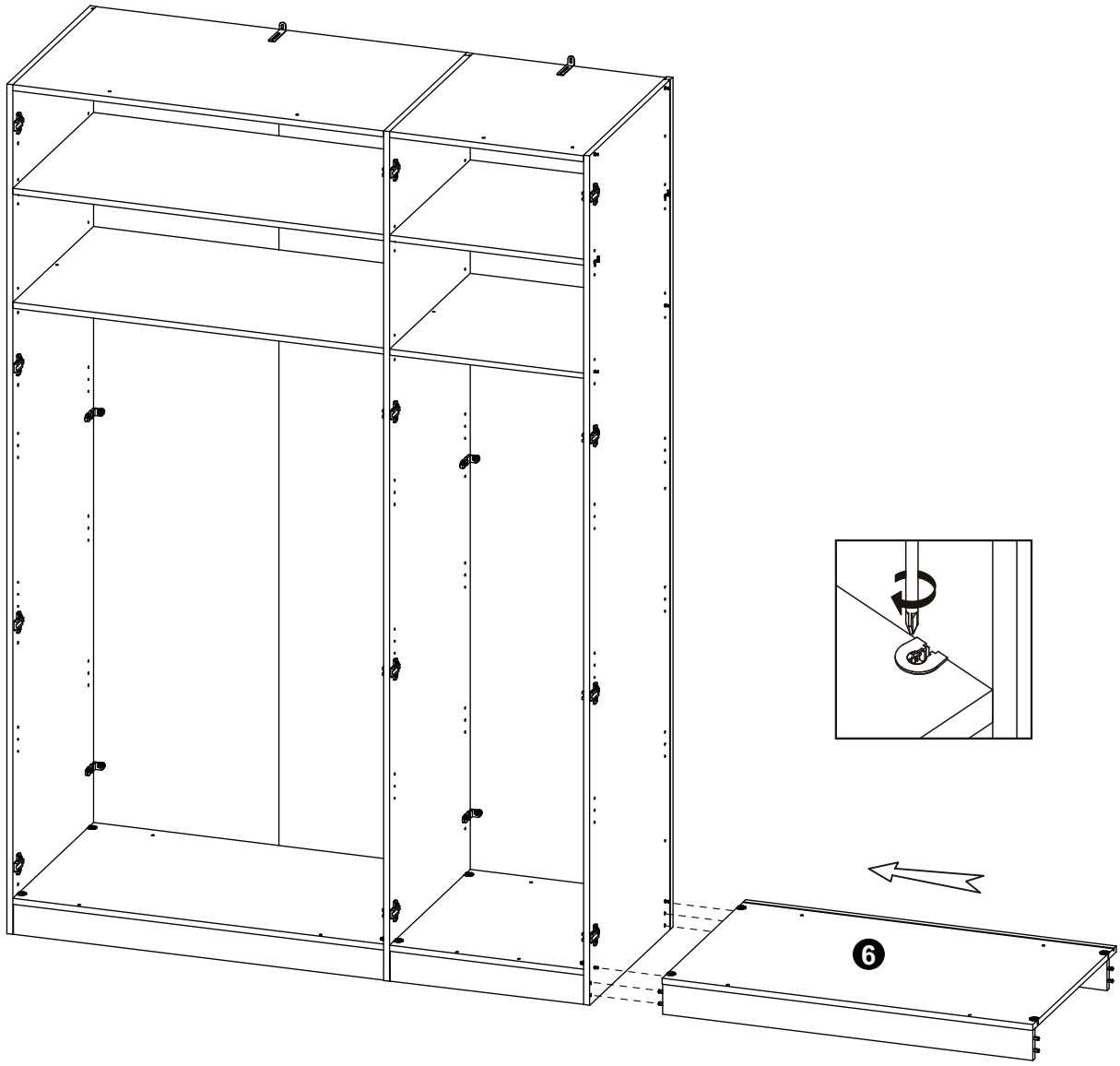


19 ▶

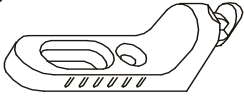

<p>(M0)</p>  <p>x3</p>	<p>(D30) EURO 6,3 x 13 mm x3</p> 
---	--

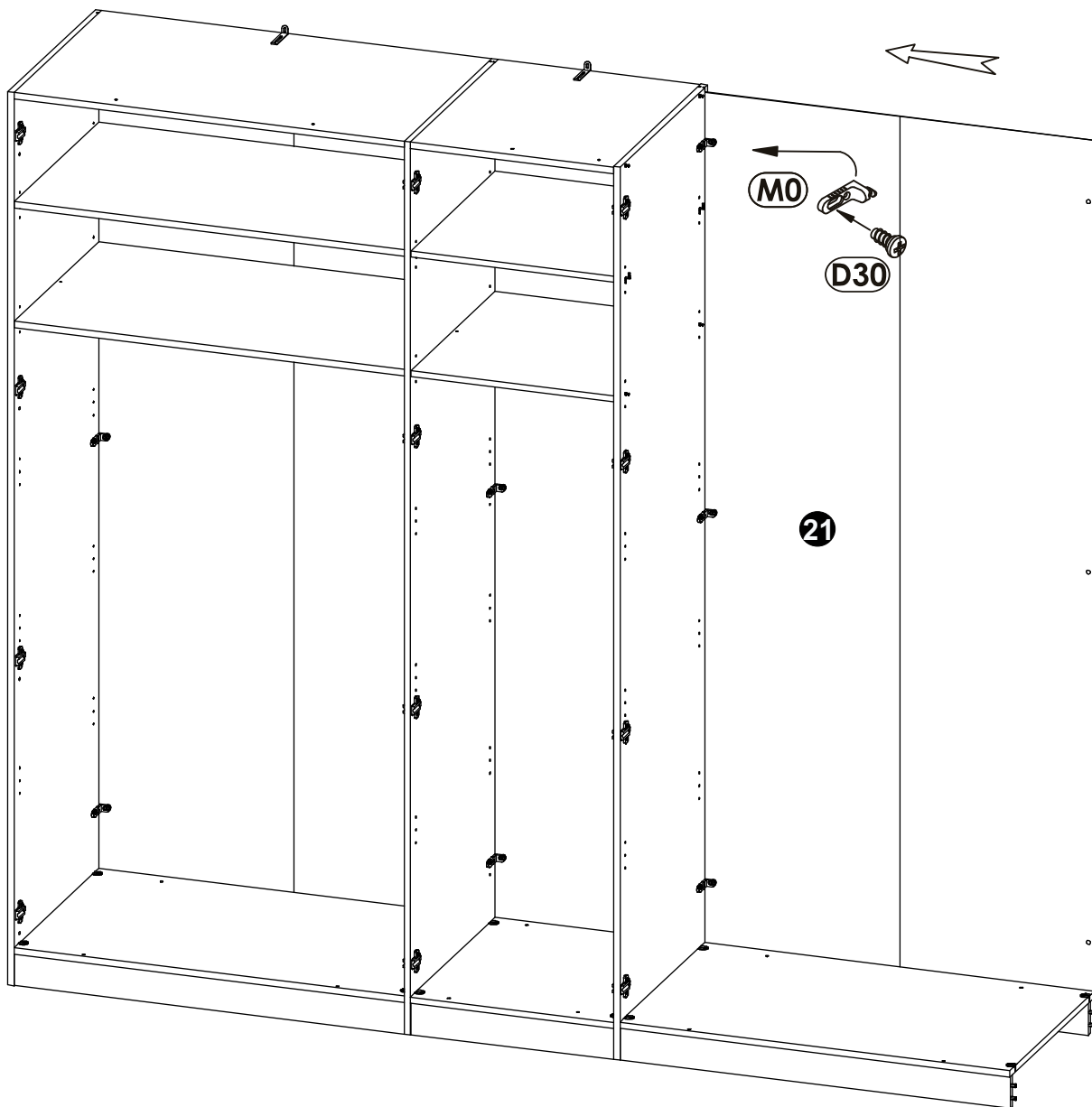
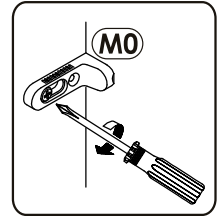
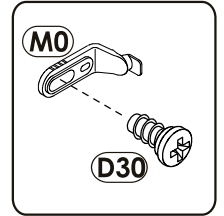




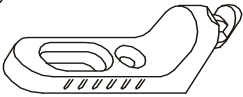



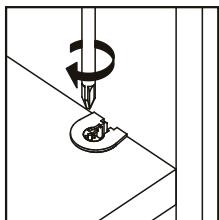
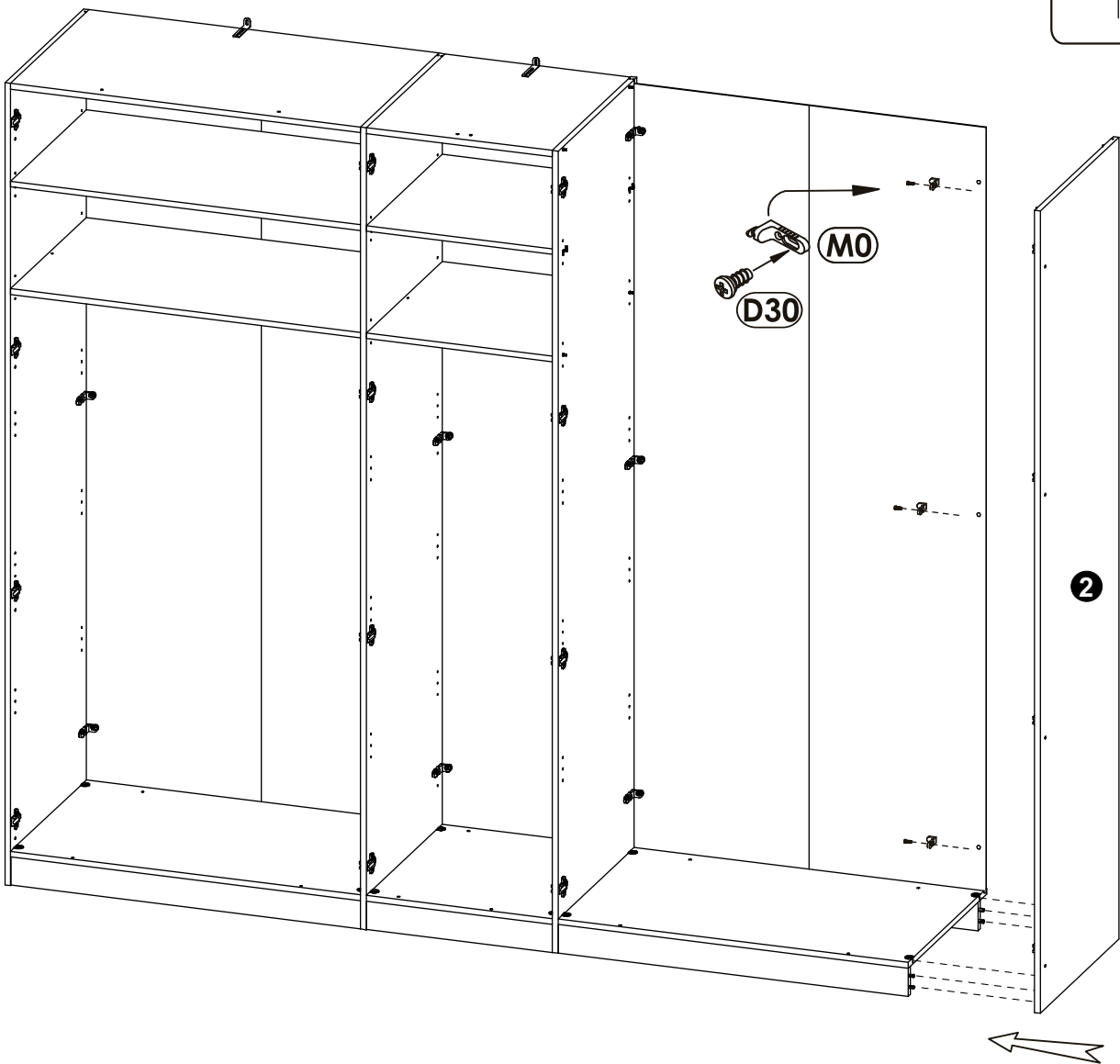
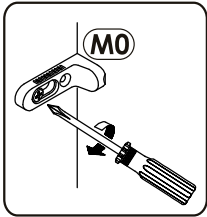
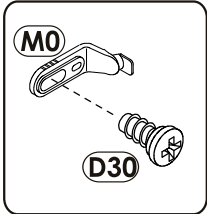
22 ▶

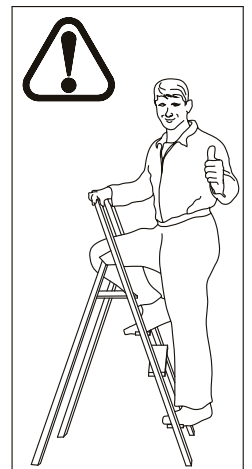
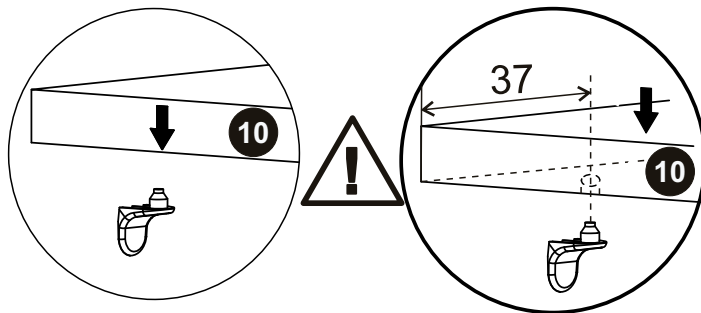
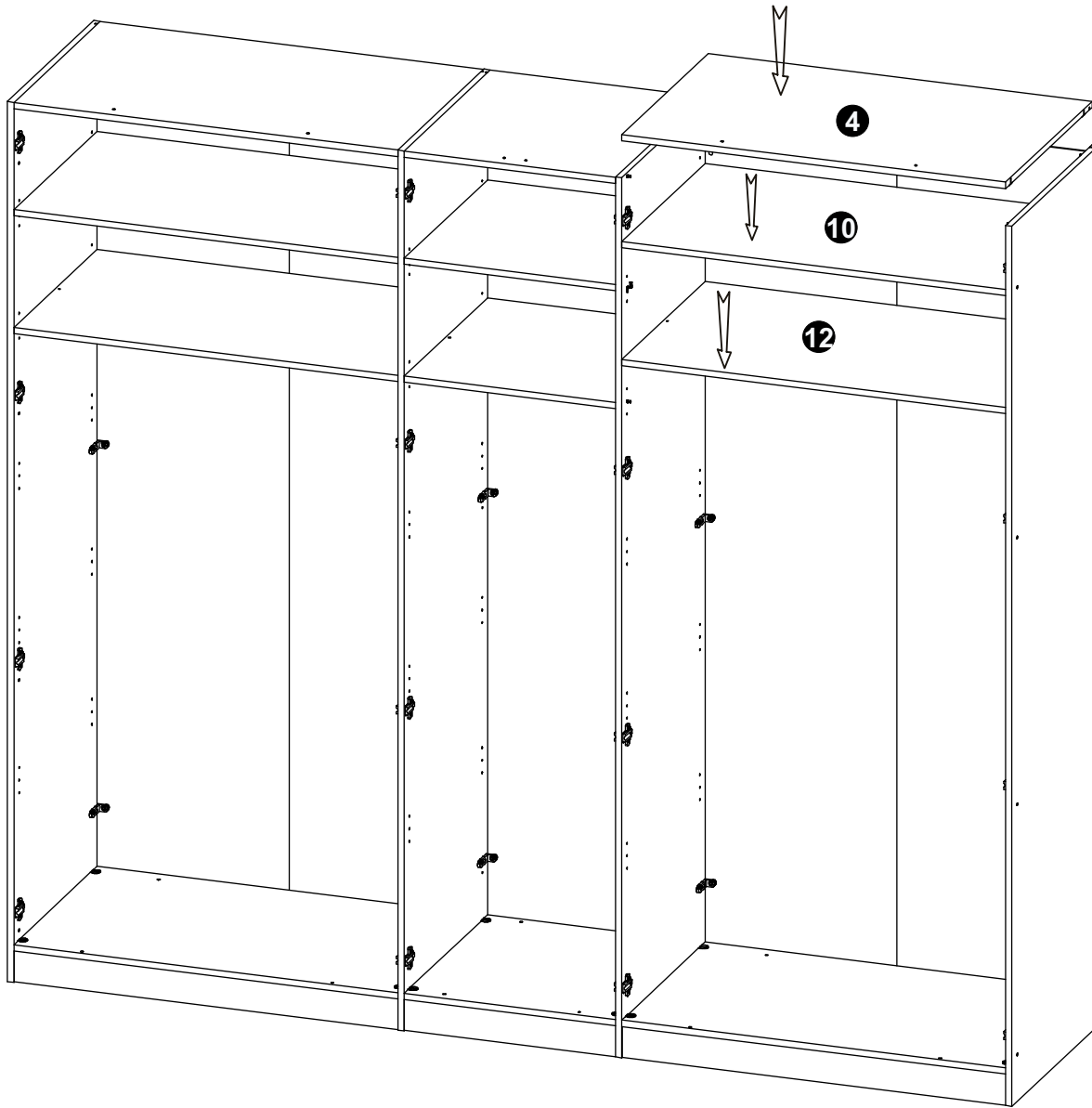
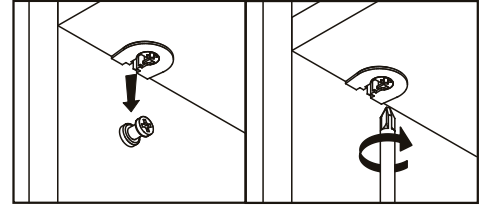
<p>(M0)</p>  <p>x3</p>	<p>(D30) EURO 6,3 x 13 mm x3</p> 
---	--



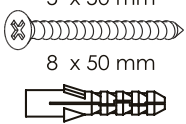


23 ▶

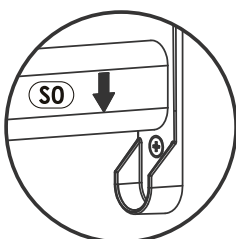
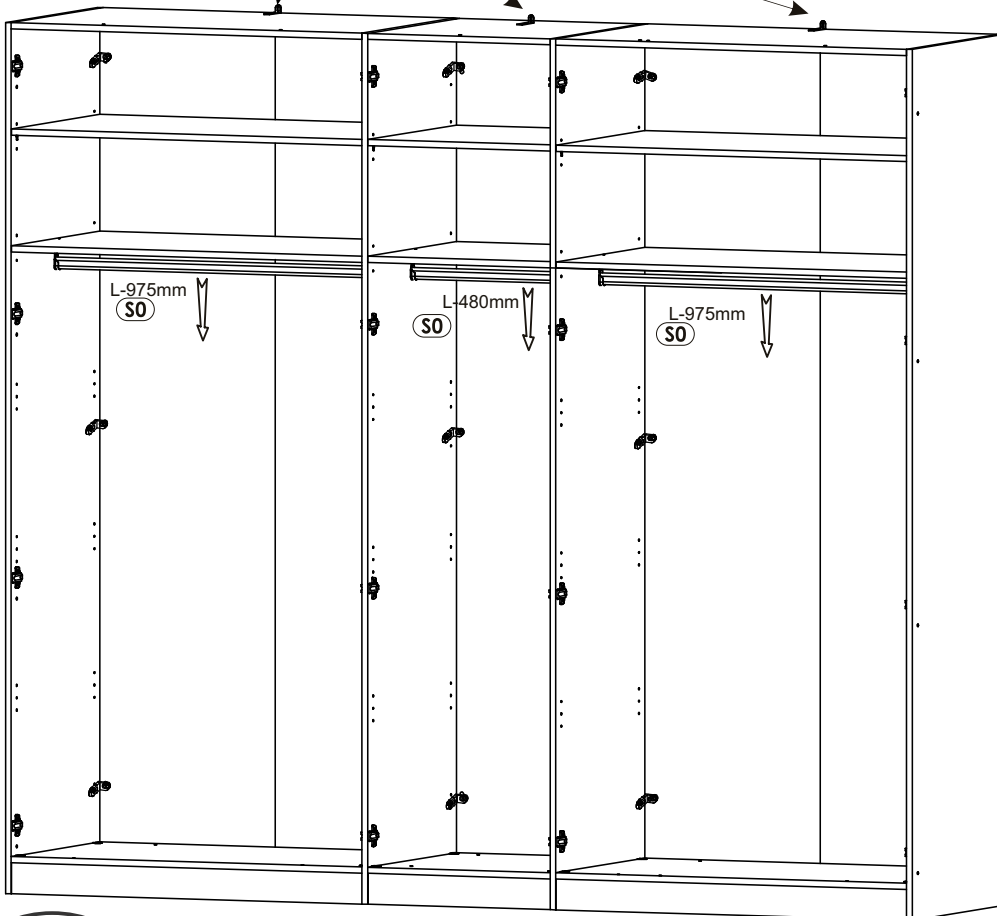
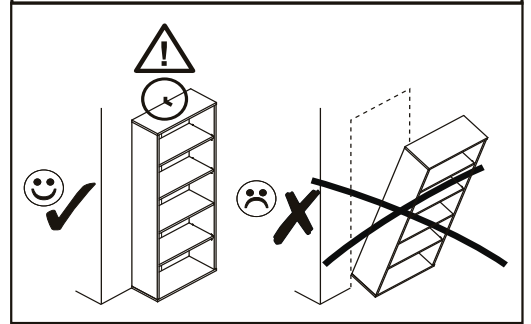
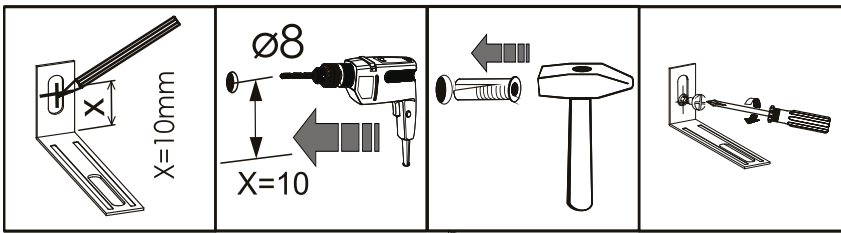
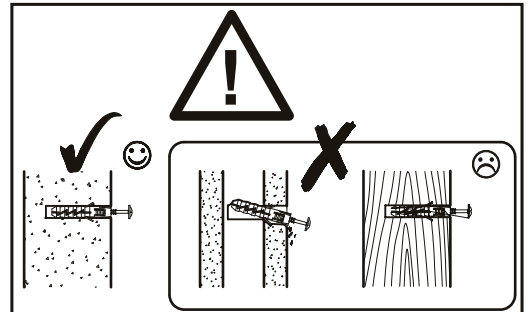
<p>(M0)</p>  <p>x3</p>	<p>(D30) EURO 6,3 x 13 mm x3</p> 
---	--



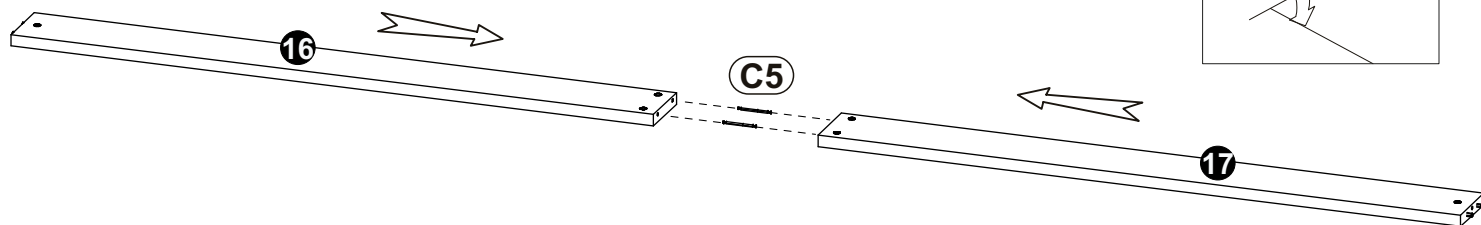
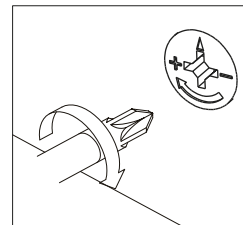
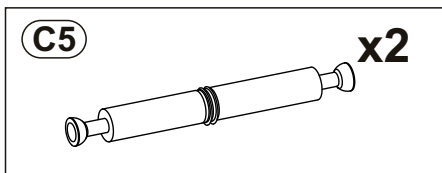


25 ▶

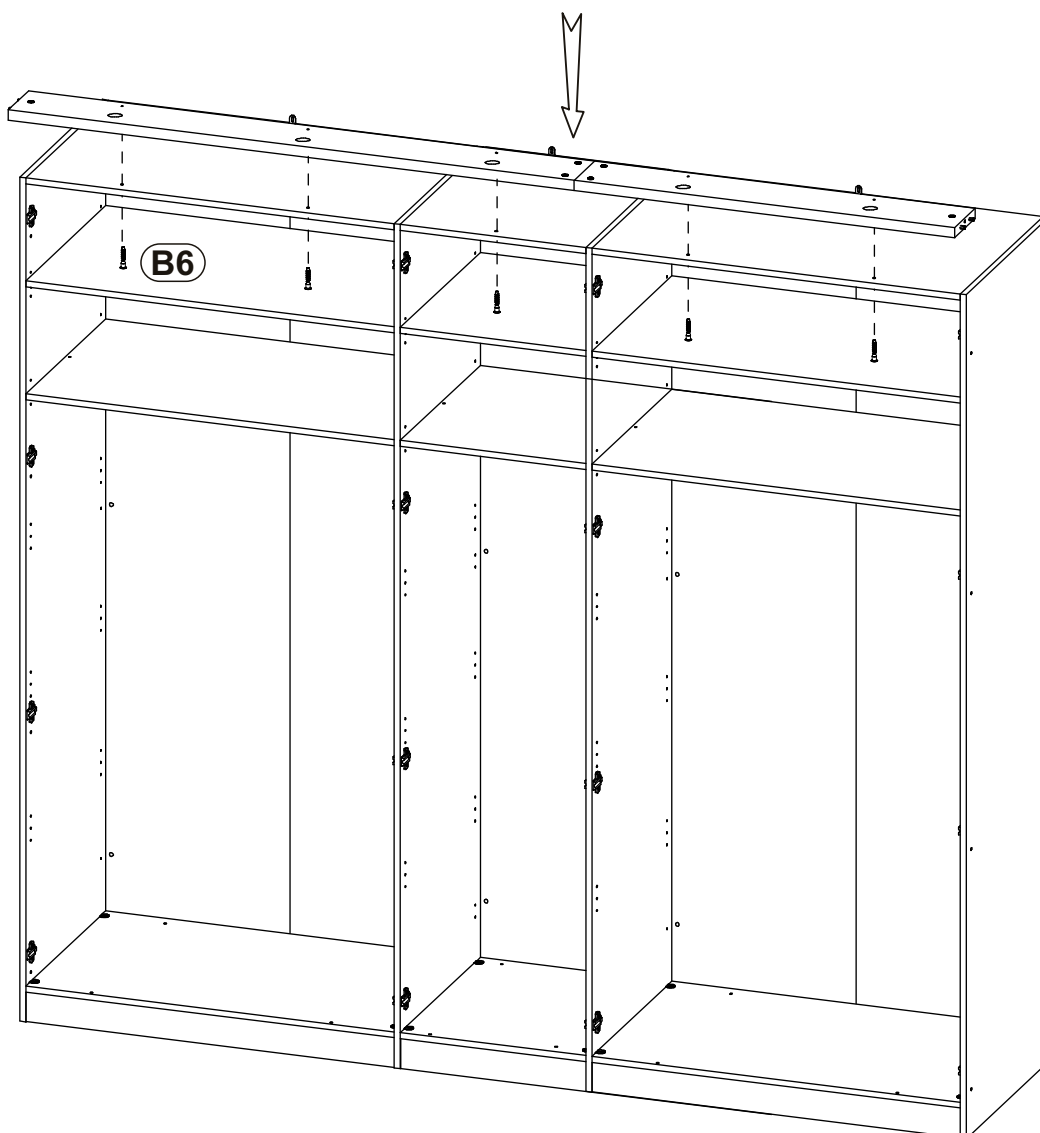
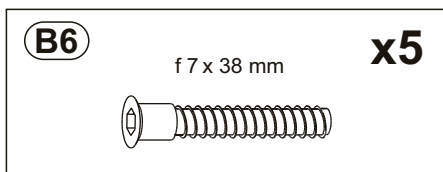
(E0)	5 x 50 mm 8 x 50 mm 	x3
(S0)	L-975mm 	x2
(S0)	L-480mm 	x1



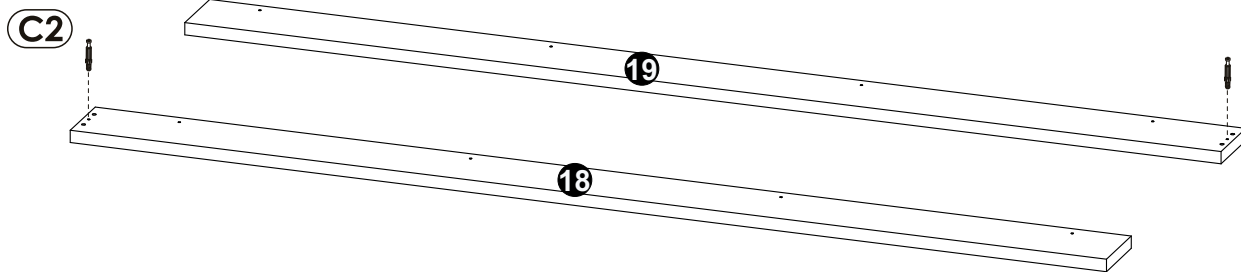
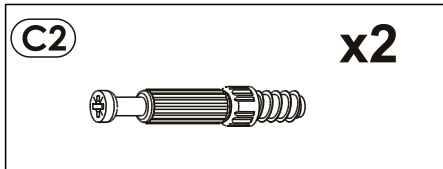
26 ▶



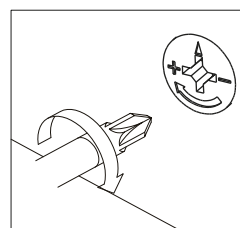
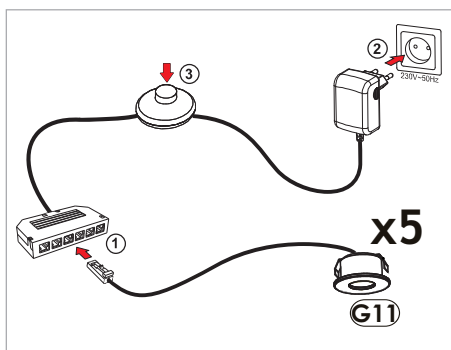
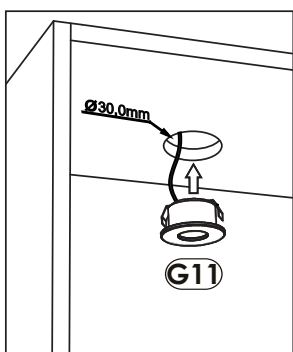
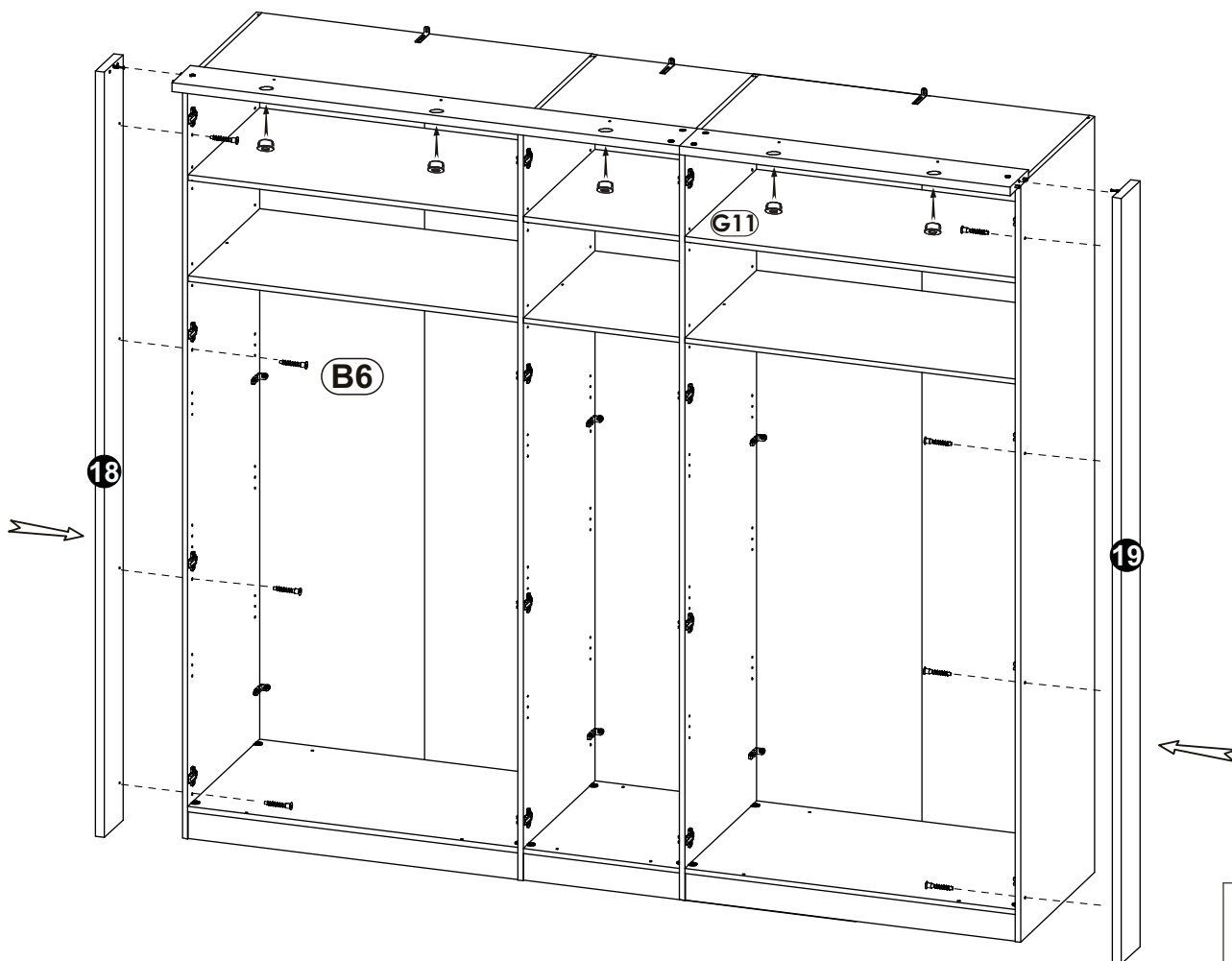
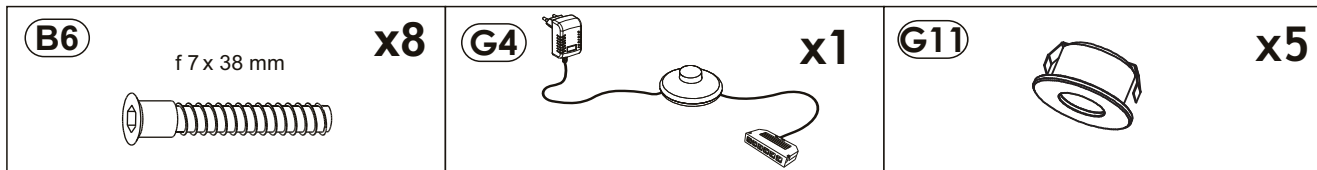
27 ▶



28 ▶



29 ▶



30 ▶

