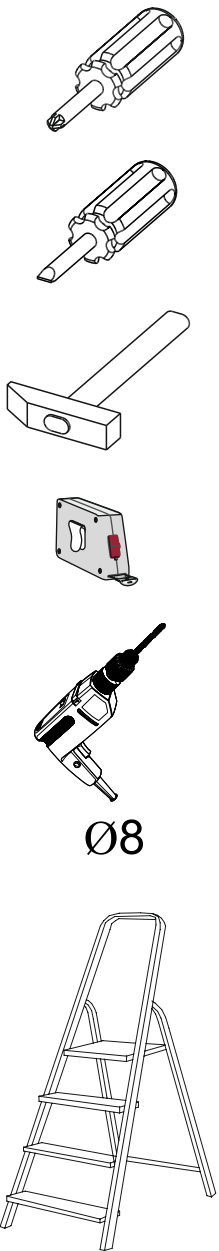
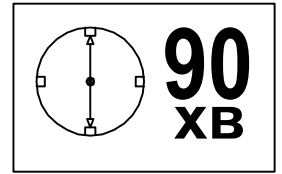
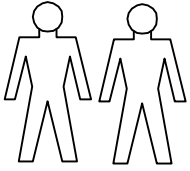
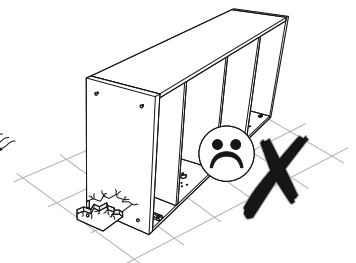
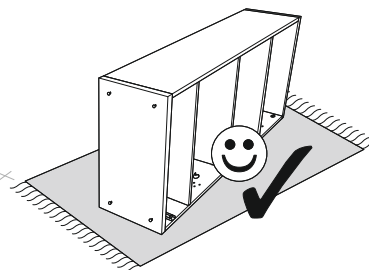
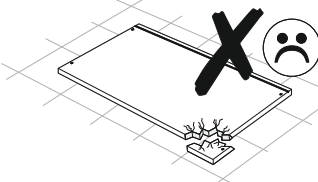
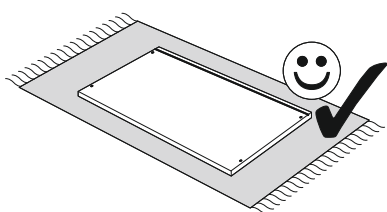
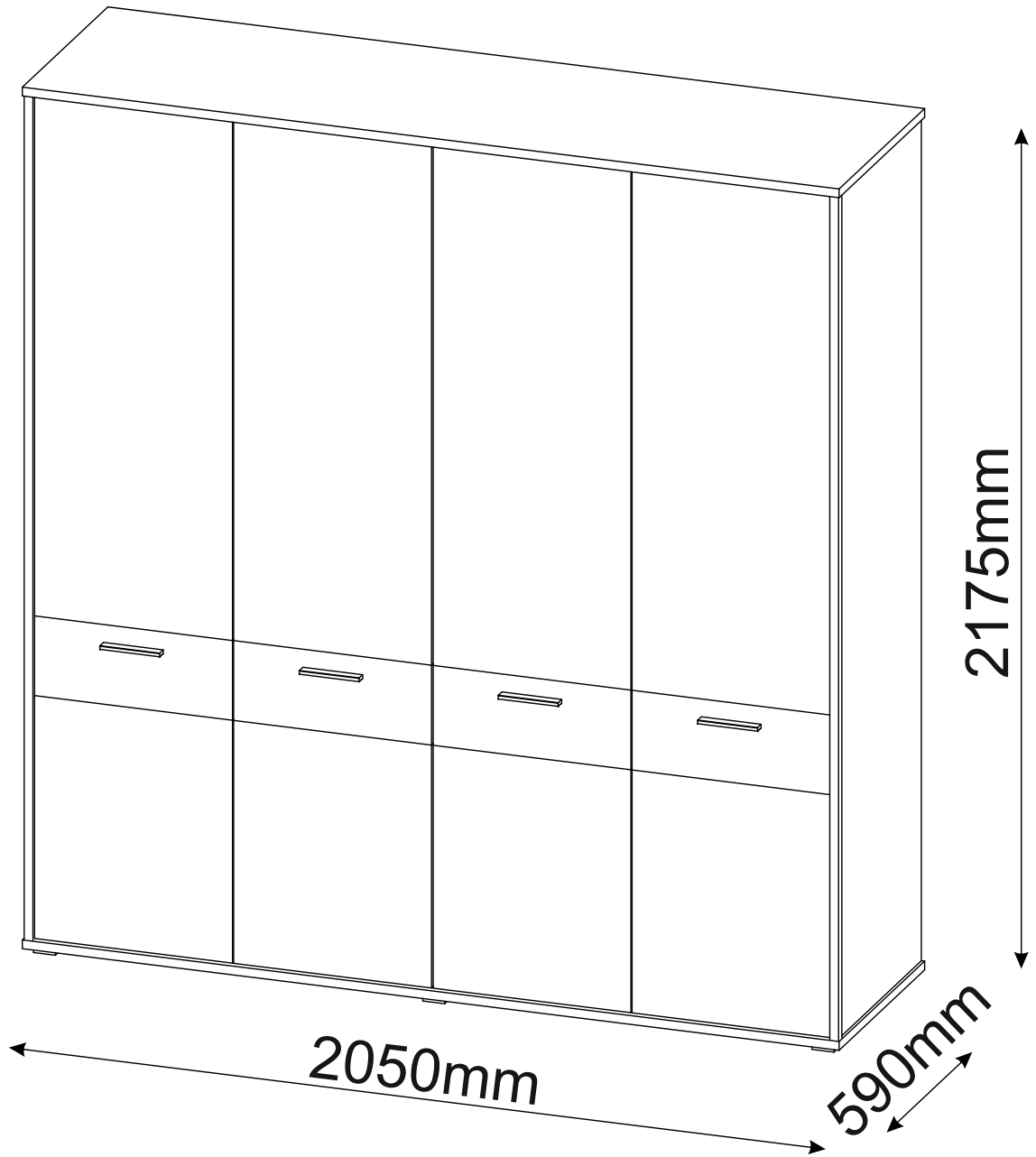


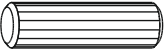
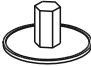






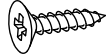




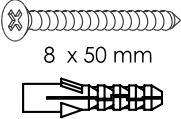
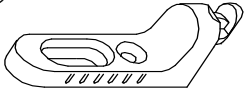
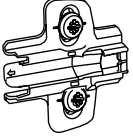

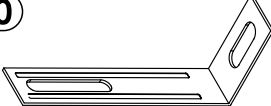
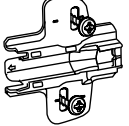
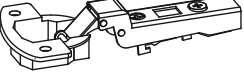

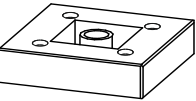

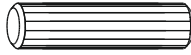
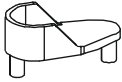
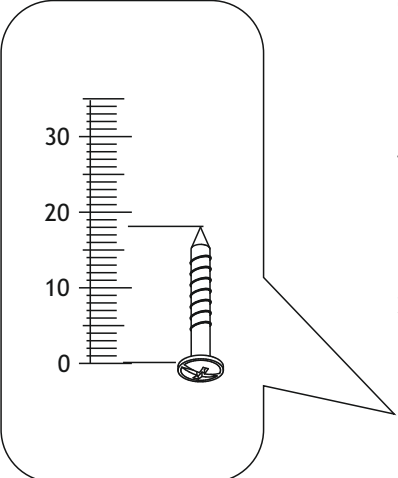
Спальня «Сінді» - Шафа 2050 4Д



Ø8



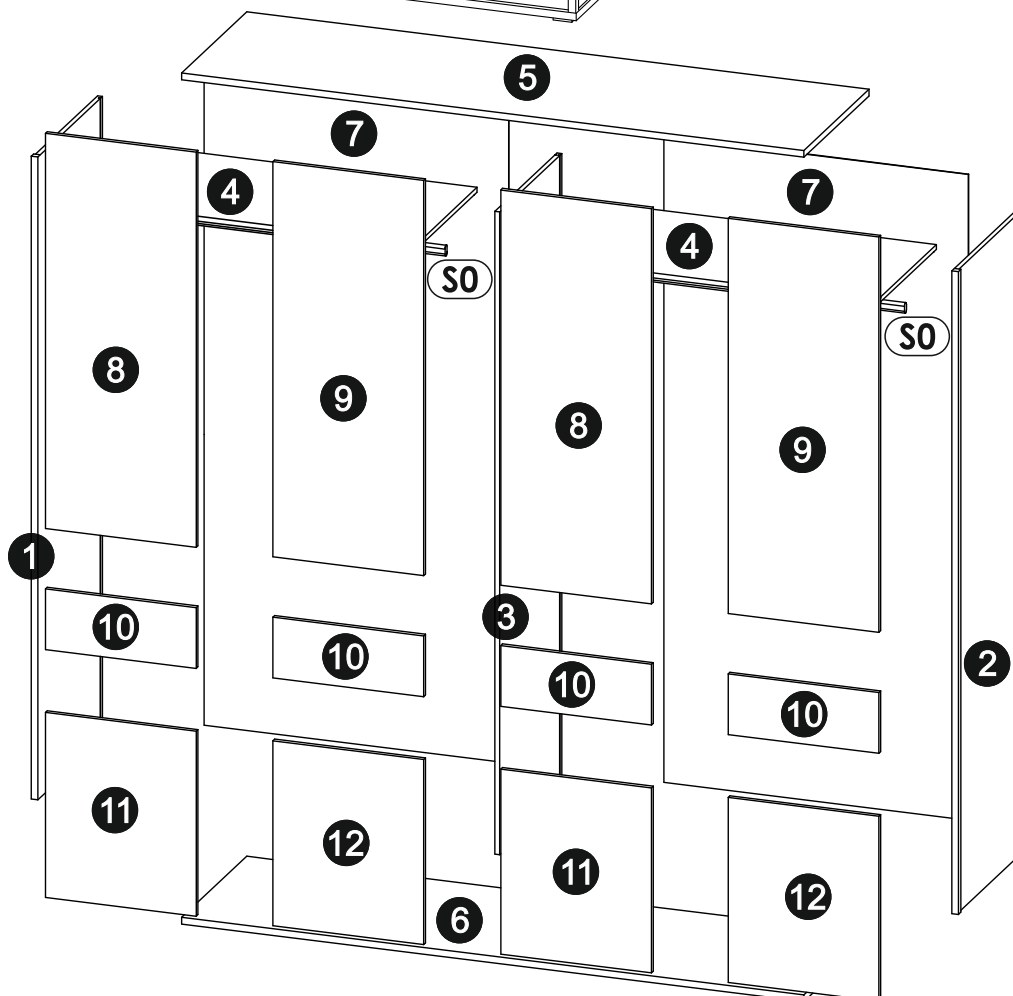
Спальня «Сінді» - Шафа 2050 4Д

A0 8 x 30mm 	x12	C0 	x28	C2 	x28
C7 16mm 	x28	C9 	x8	C10 6,3 x 20 mm 	x4
C13 6,3 x 16 mm 	x4	D5 3,5 x 16 mm 	x4	D10 4 x 16 mm 	x32
D12 3,5 x 25 mm 	x24	D16 4,2 x 28 mm 	x8	D21 5 x 13 mm 	x2
D30 EURO 6,3 x 13 mm 	x20	E0 5 x 50 mm 8 x 50 mm 	x2	M0 	x20
J3 	x8	J18 	x8	P0 	x2
J14 	x8	J13 	x8	L25 	x4
T5 	x6	S0 L-985mm 	x2	A1 8 x 50mm 	x24
O0 	x4				



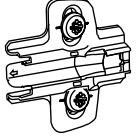
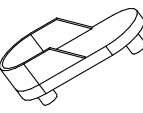
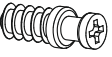

Спальня «Сінді» - Шафа 2050 4Д

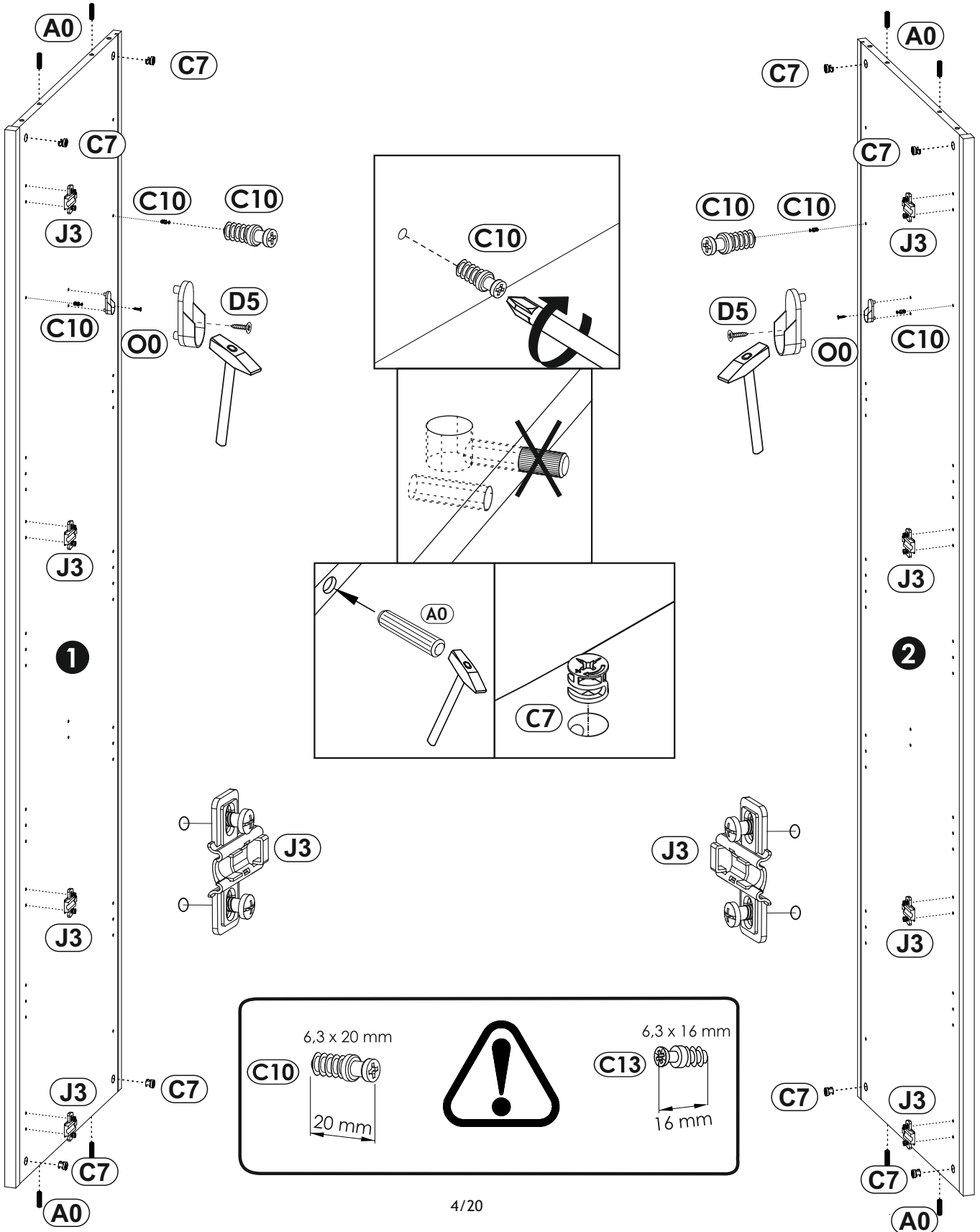


1	2116	587	16	x1	1/6
2	2116	587	16	x1	1/6
3	2116	565	16	x1	2/6
4	992	544	16	x2	2/6
5	2048	590	22	x1	3/6
6	2048	590	22	x1	3/6
7	2126	1002	2,8	x2	2/6
8	1301	496	16	x2	4/6
9	1301	496	16	x2	4/6
10	496	200	16	x4	5/6
11	609	496	16	x2	5/6
12	609	496	16	x2	5/6
S0	L-985mm			x2	2/6
					6/6


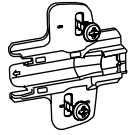


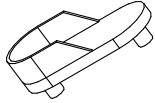



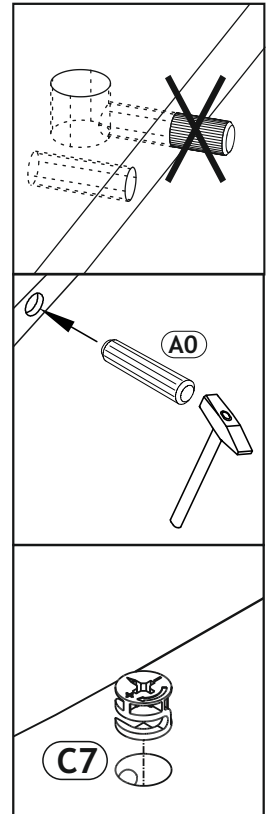
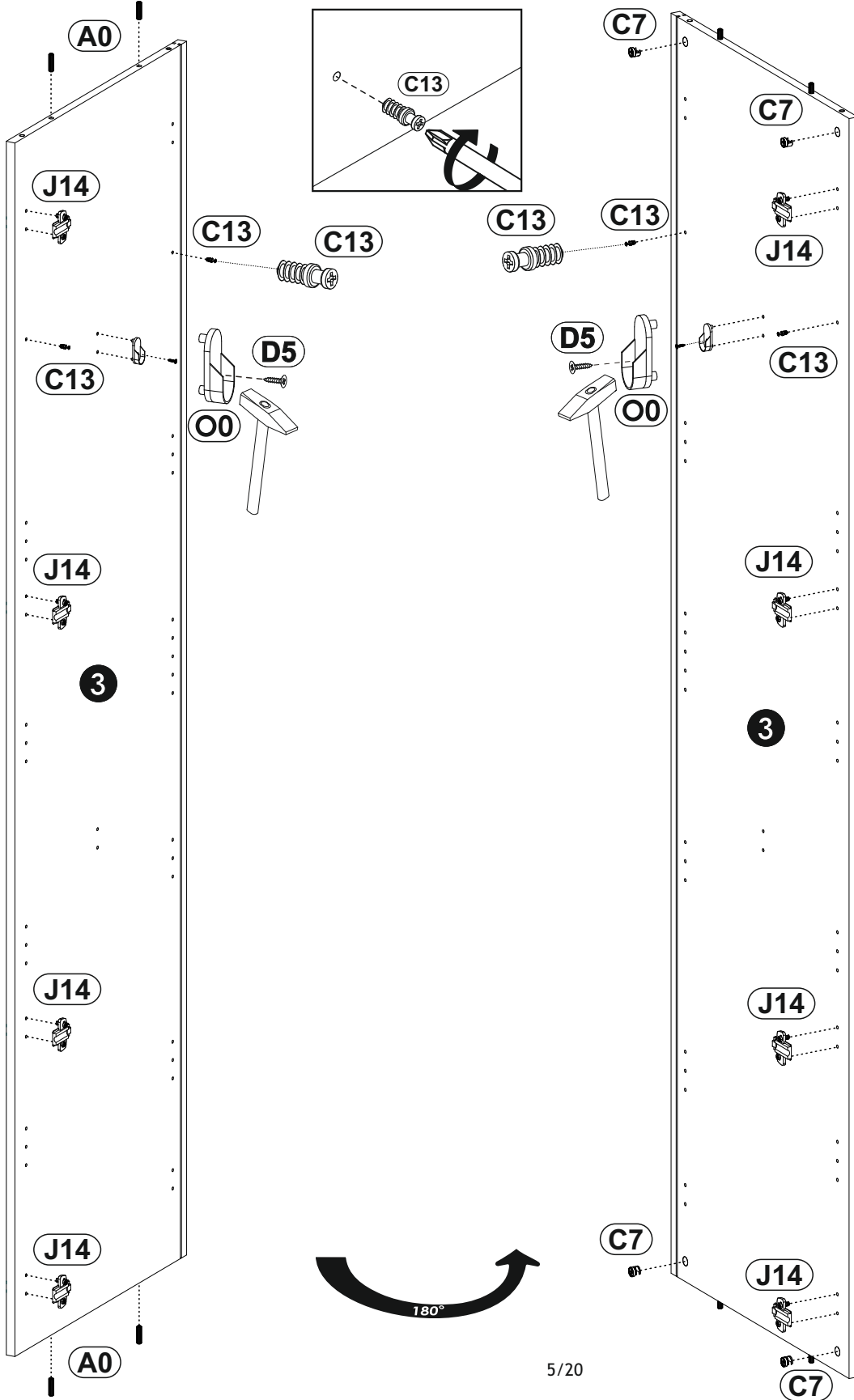
1 ▶

C7 16mm 	x8	A0 8 x 30mm 	x8	J3 	x8
O0 	x2	C10 6,3 x 20 mm 	x4	D5 3,5 x 16 mm 	x2


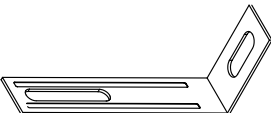



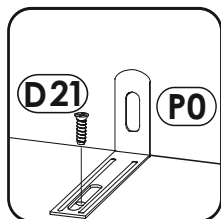
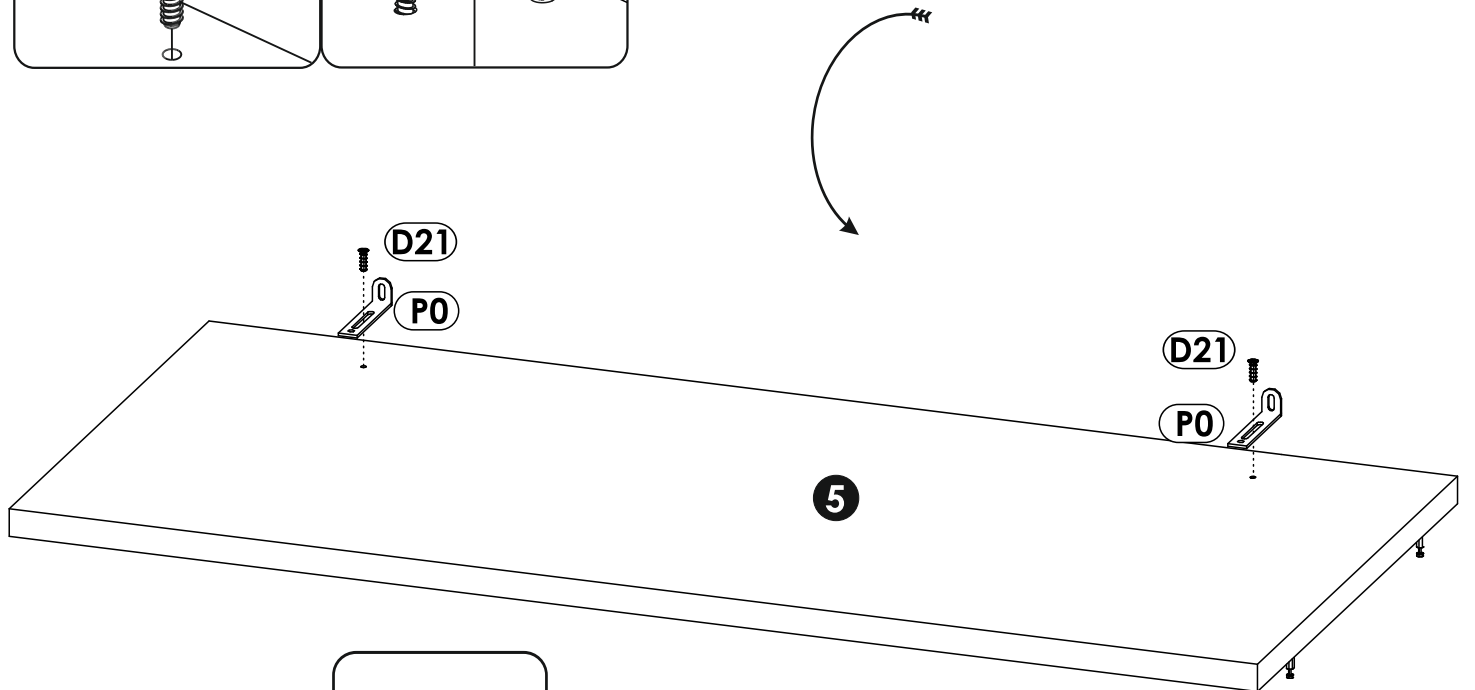
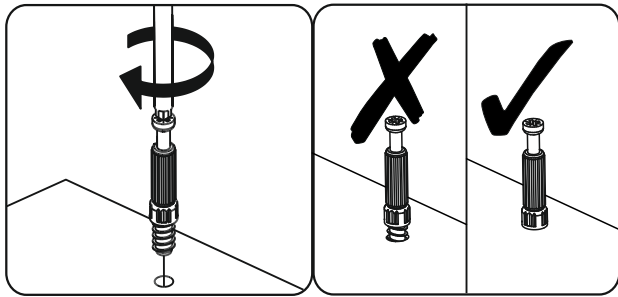
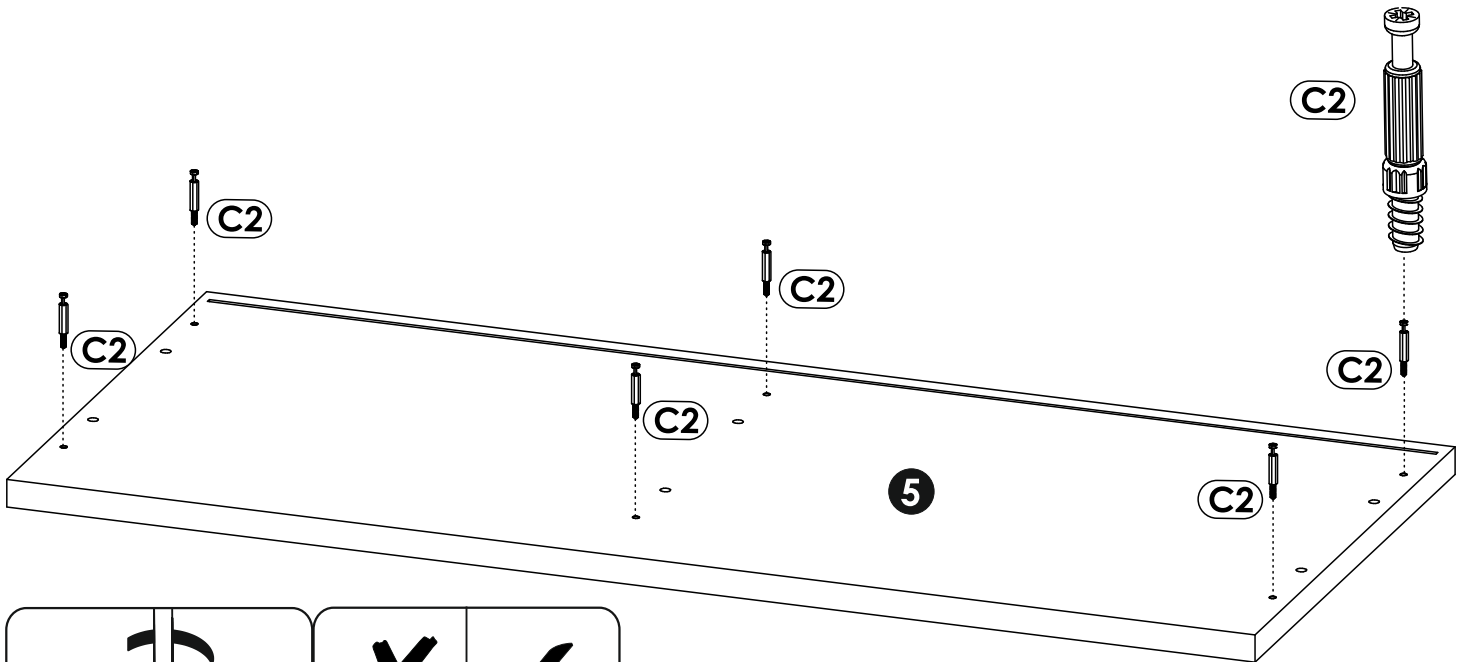
2 ▶

A0 8 x 30mm 	x4	J14 	x8	C7 16mm 	x4
C13 6,3 x 16 mm 	x4	O0 	x2	D5 3,5 x 16 mm 	x2

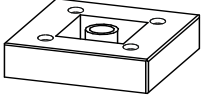




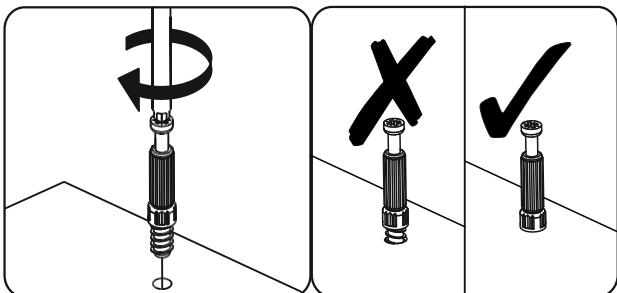
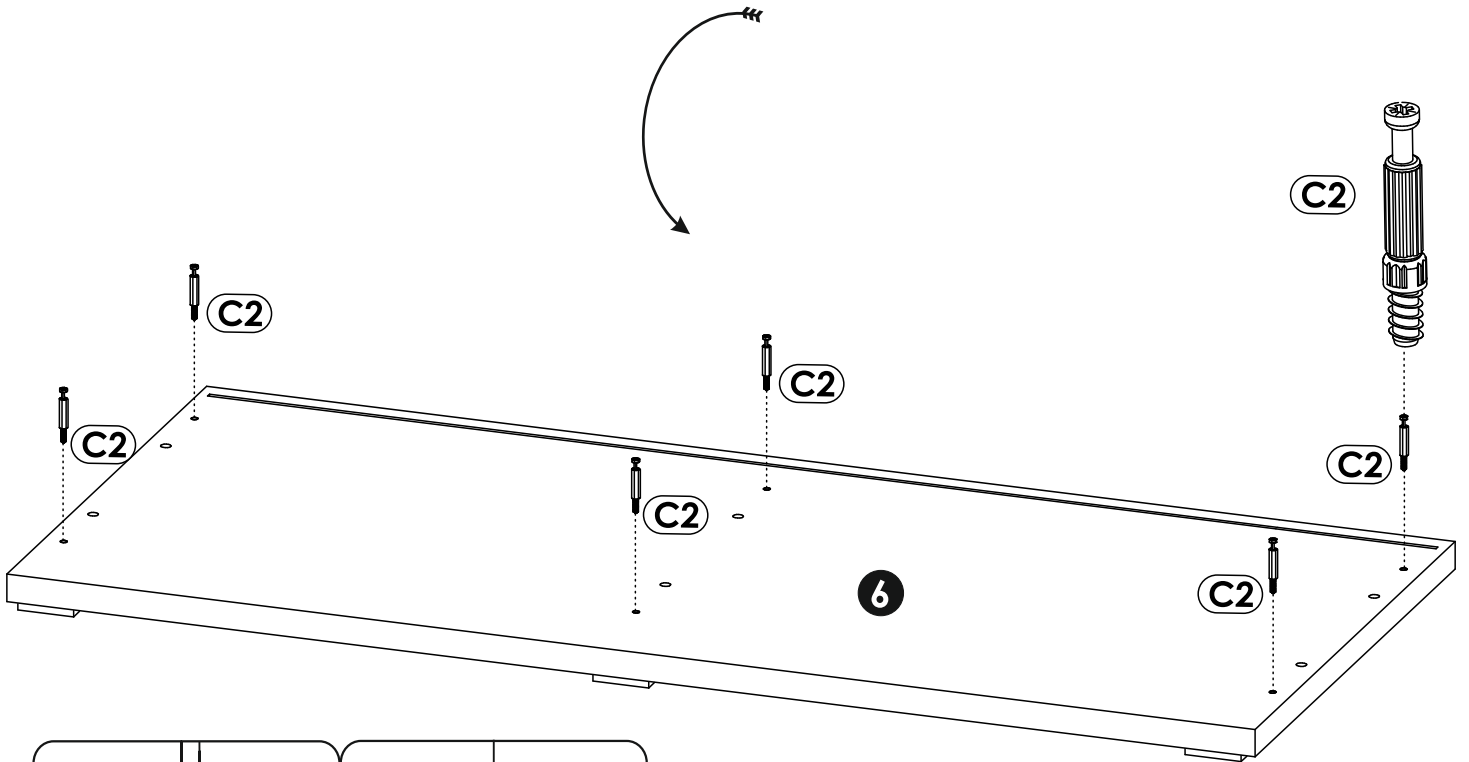
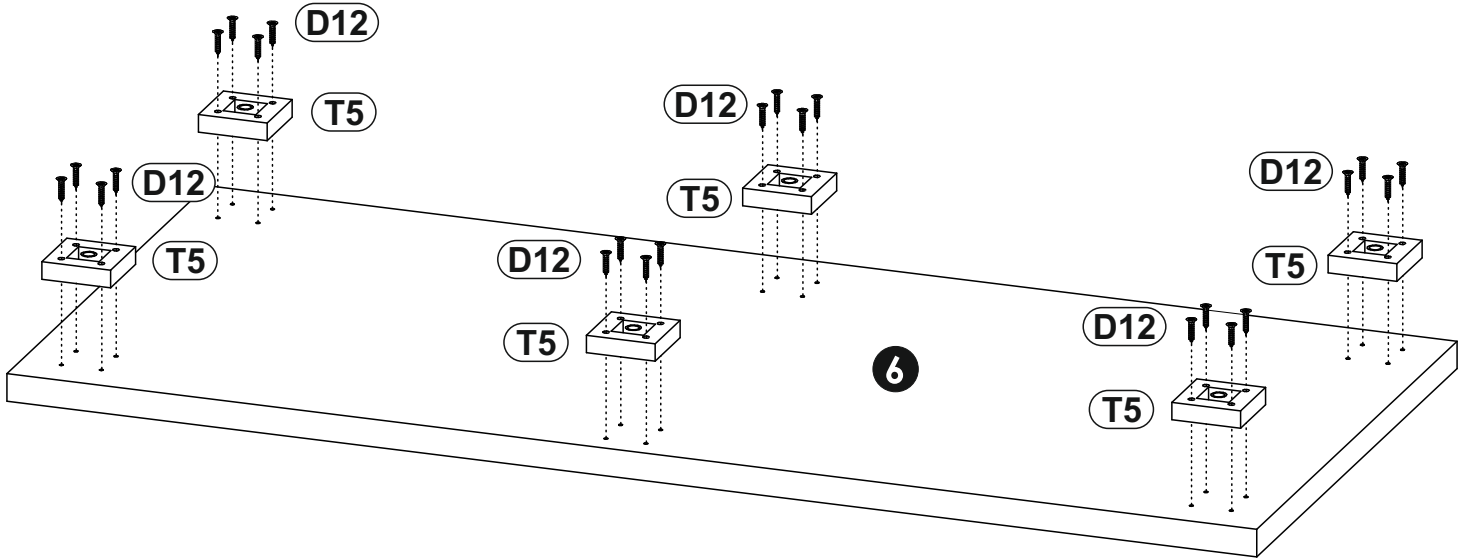
3 ▶

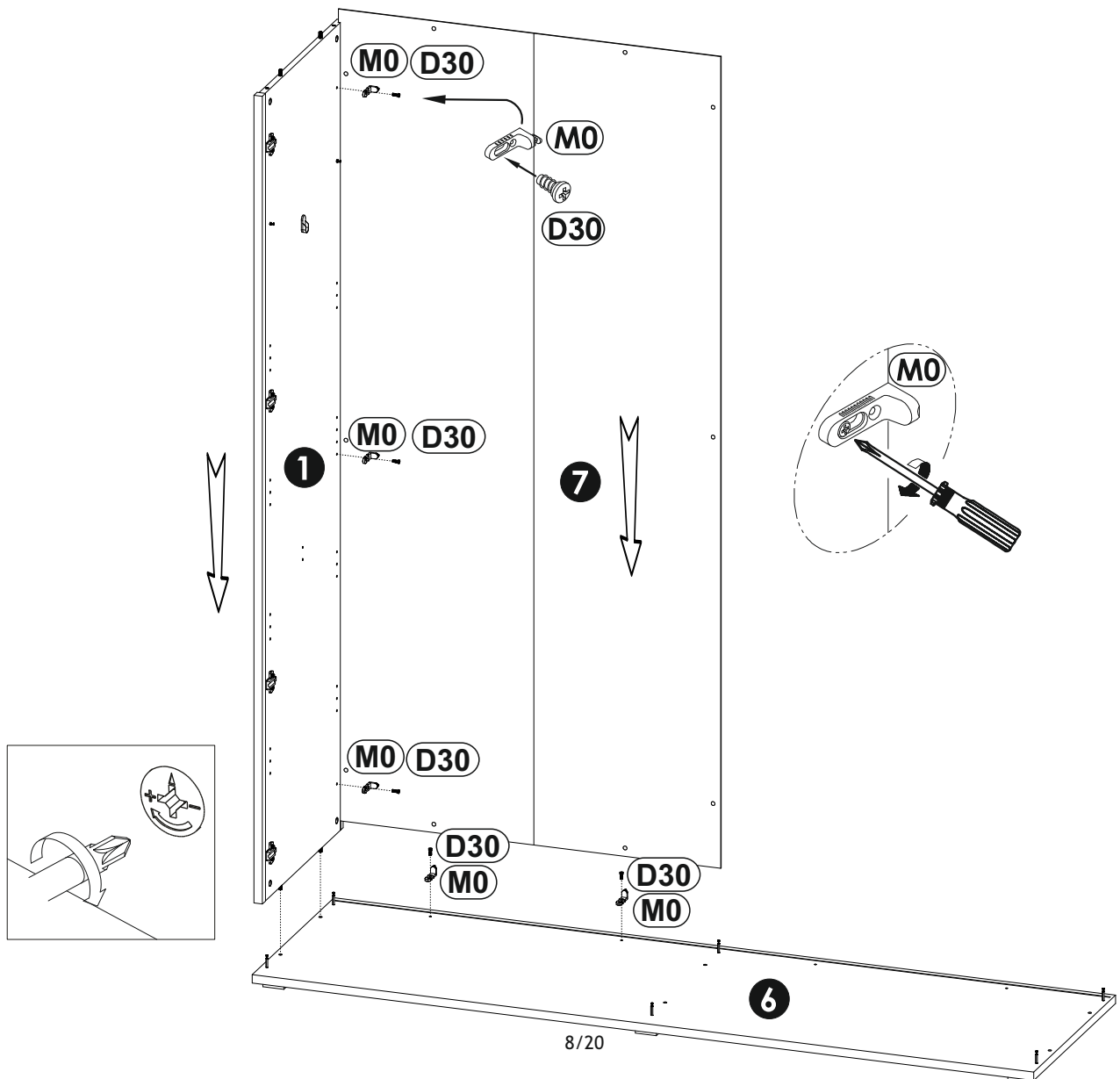
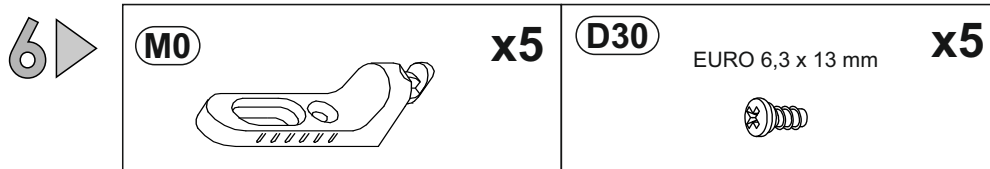
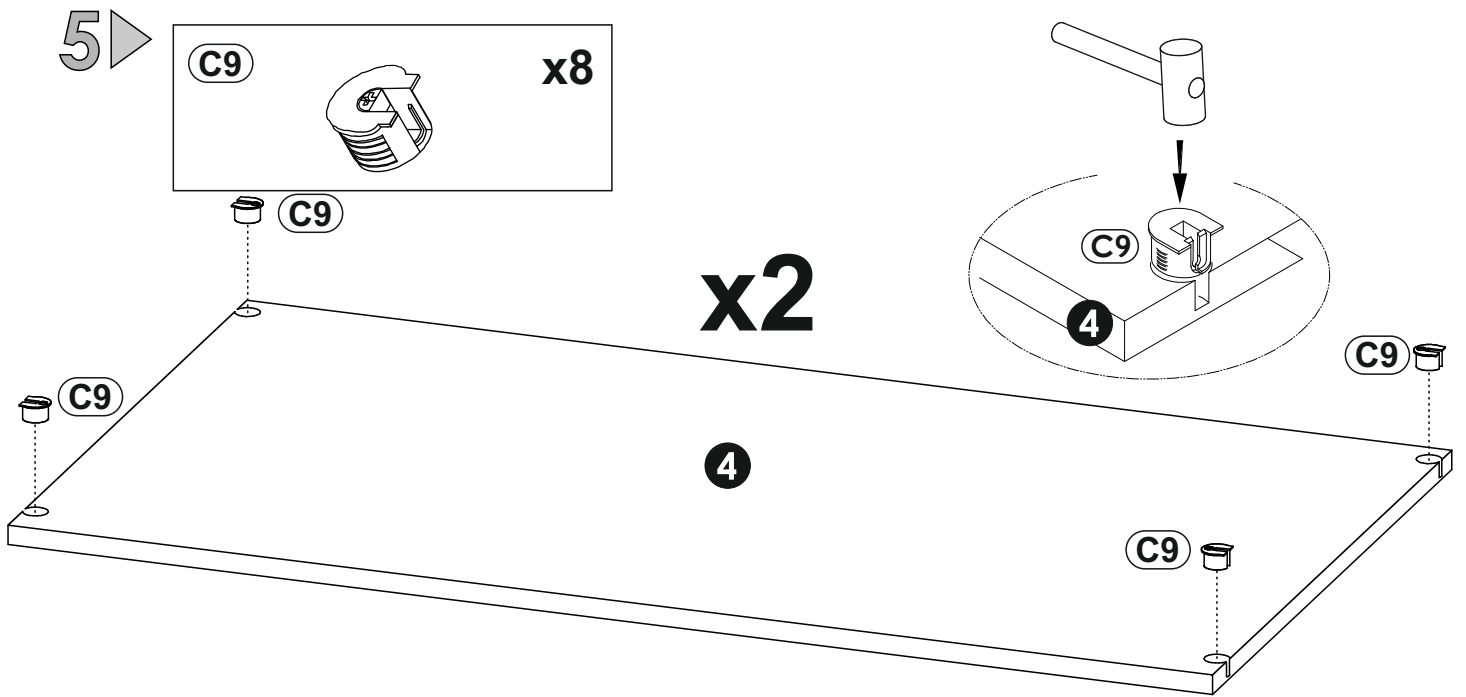
 C2	x6	 D21	x2	 5 x 13 mm	x2
---	-----------	--	-----------	--	-----------



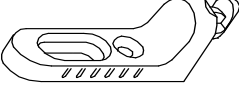

4 ▶

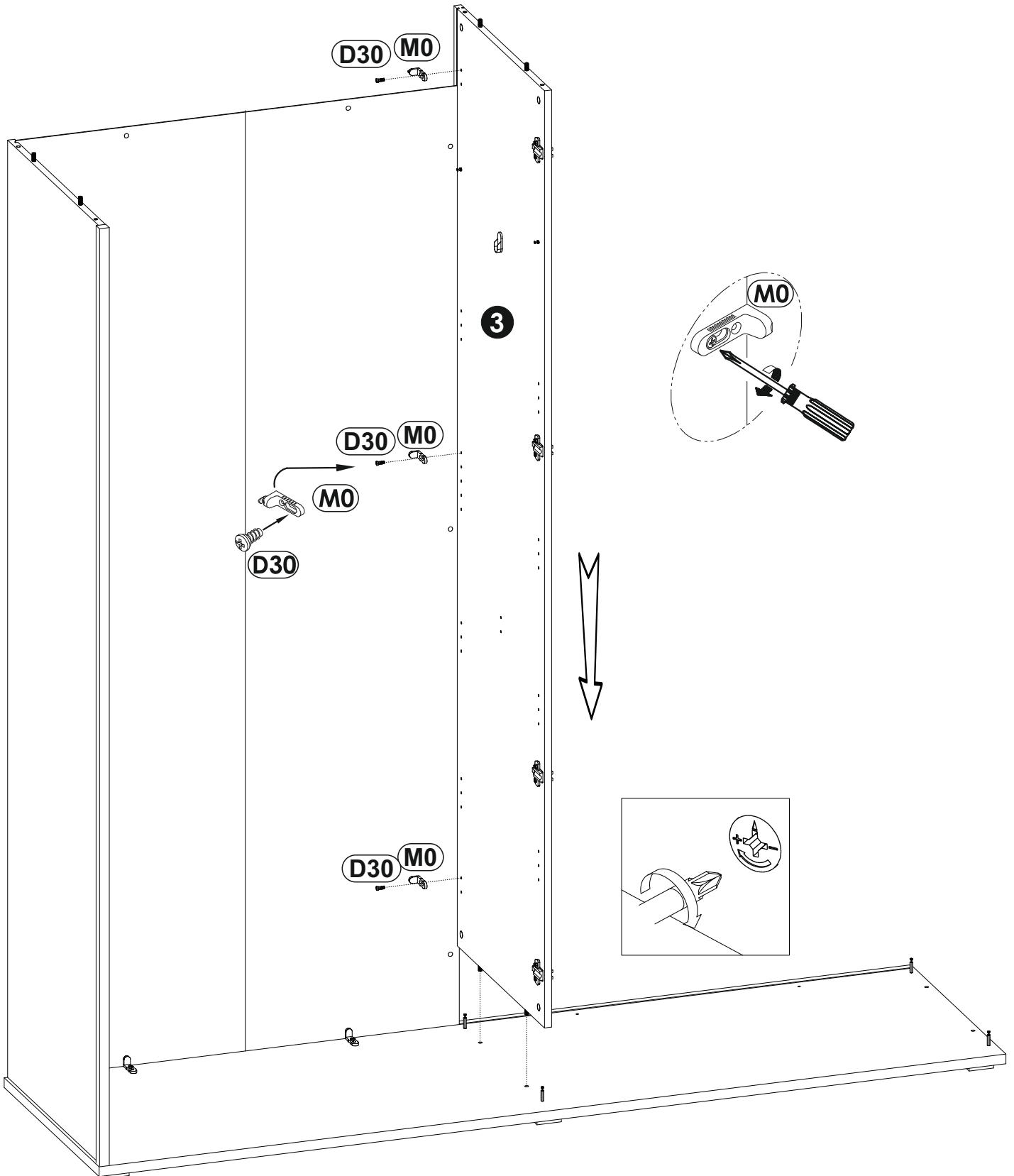
T5 	x6	D12 3,5 x 25 mm 	x24	C2 	x6
--	-----------	--	------------	--	-----------

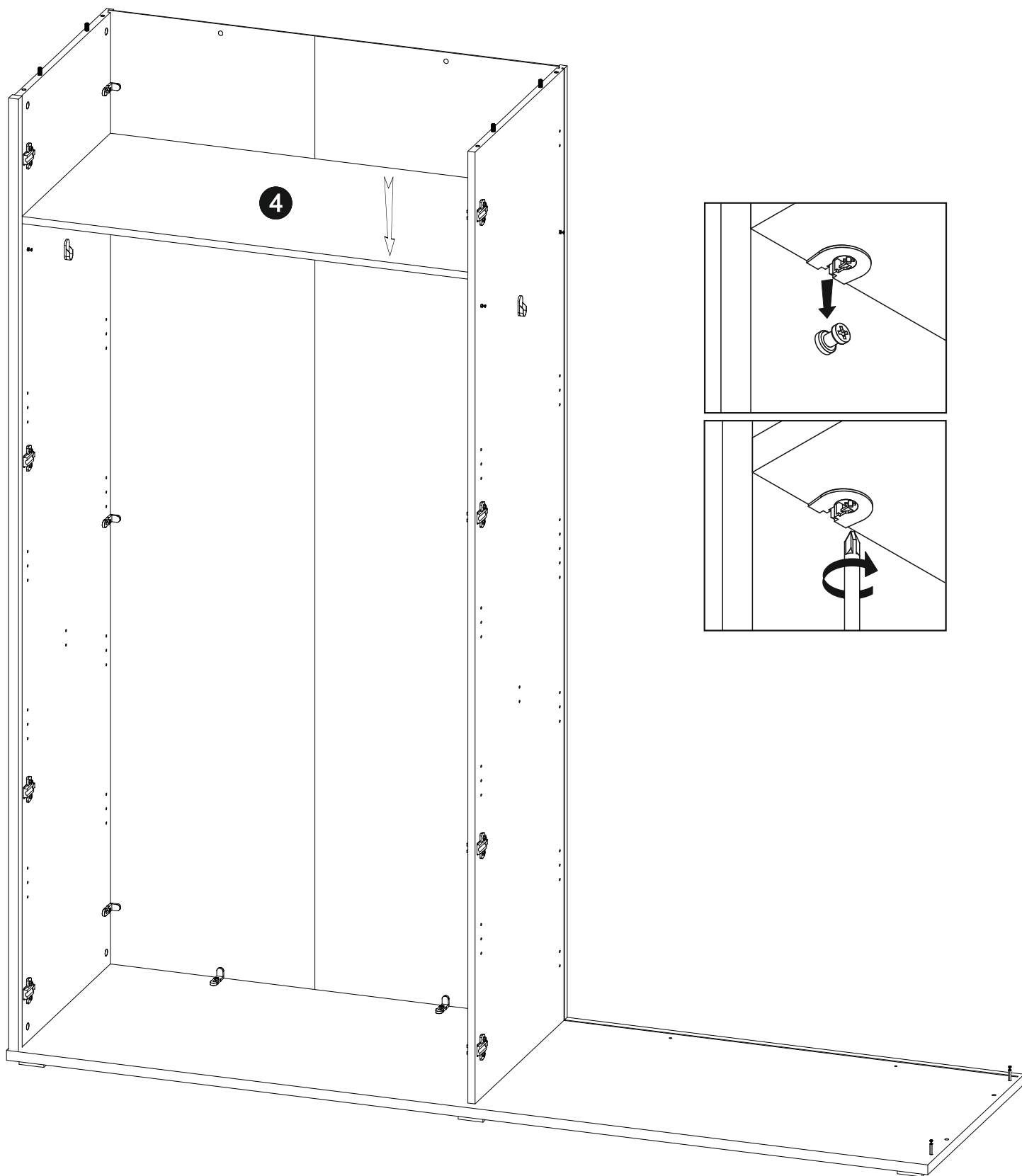




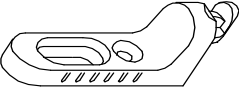

7

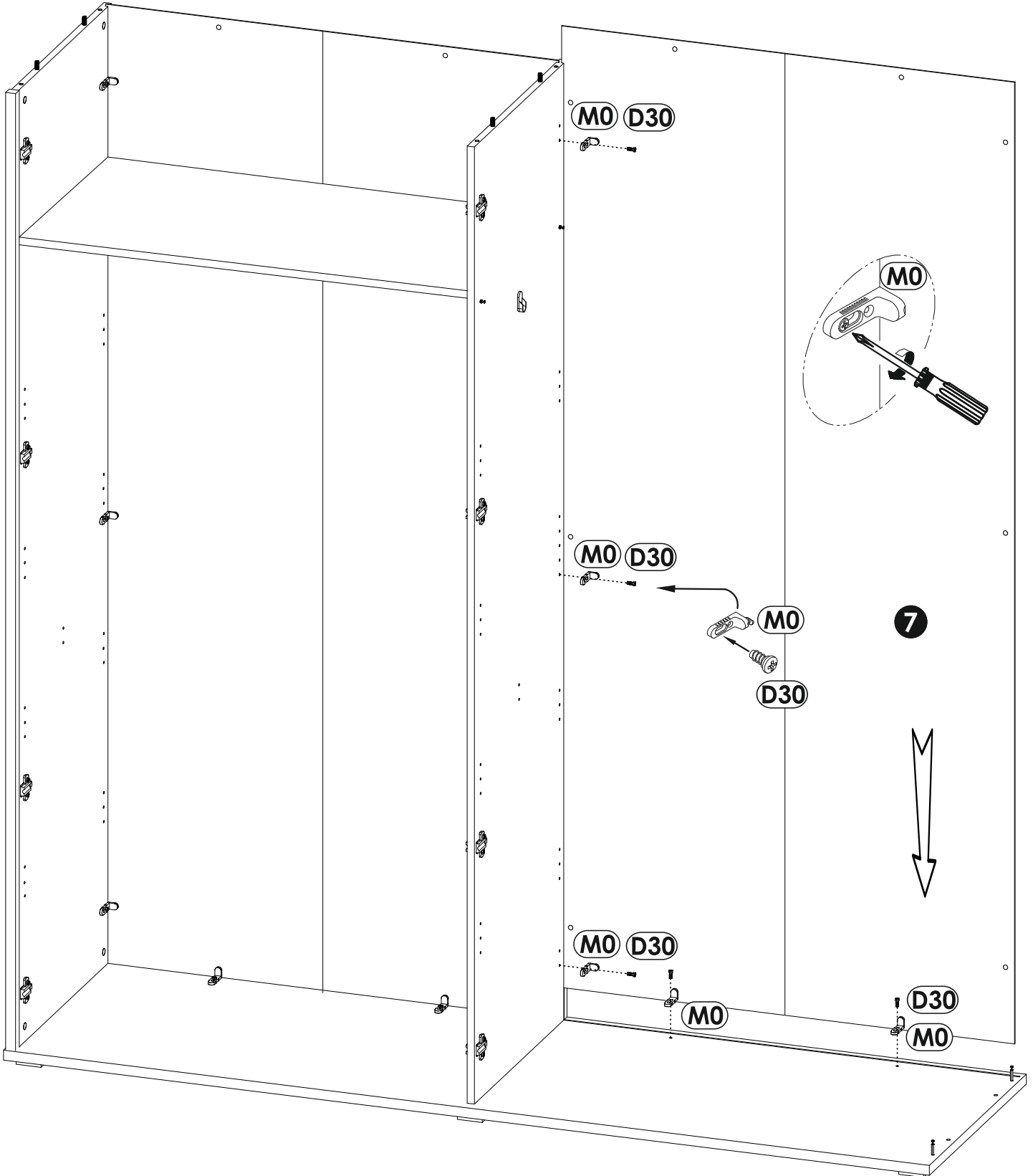
M0 	x3	D30 EURO 6,3 x 13 mm 	x3
--	-----------	---	-----------



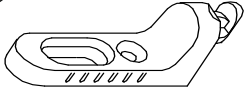



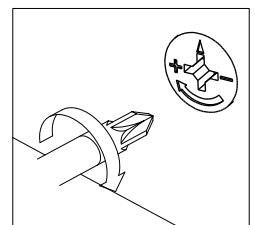
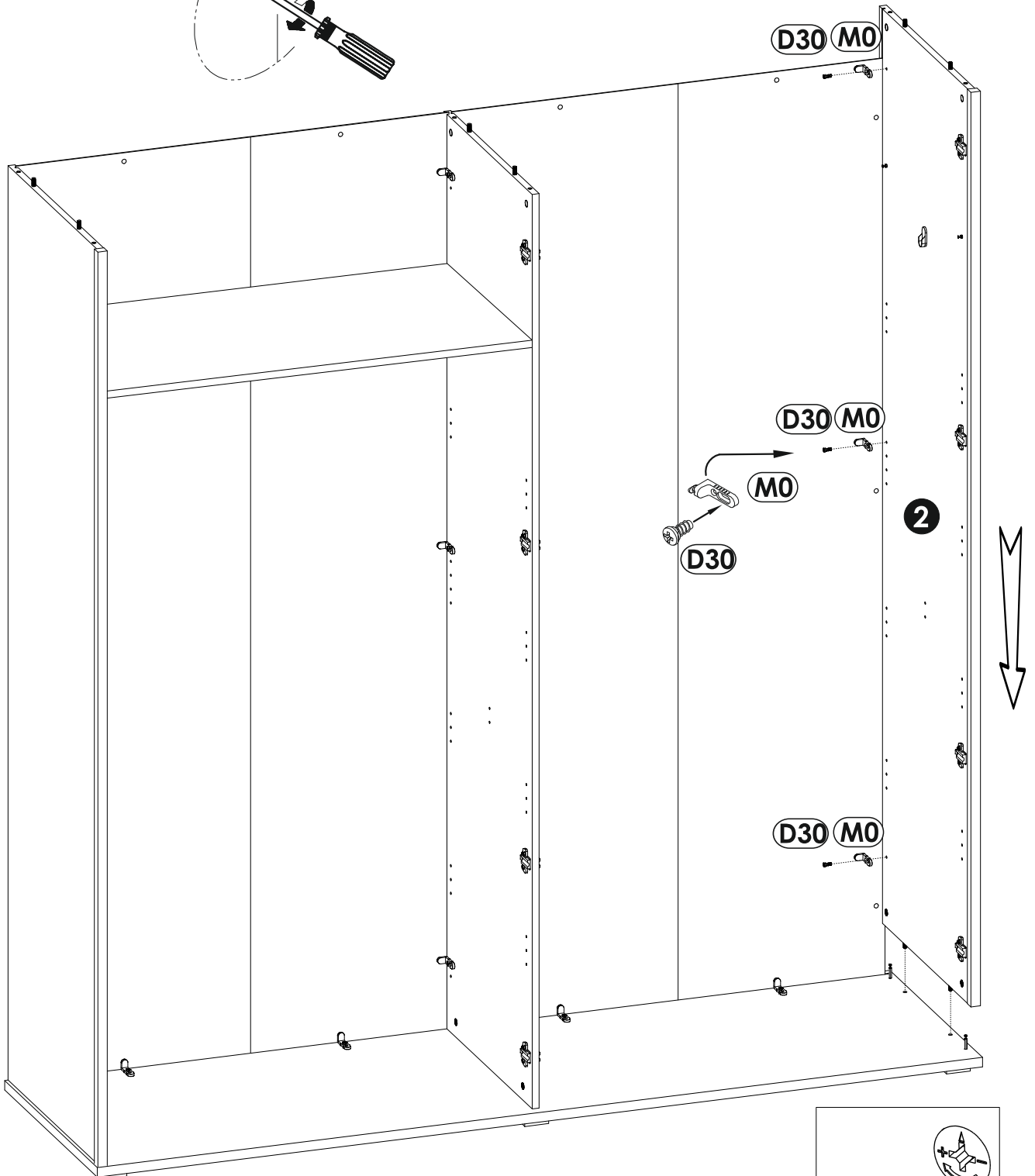
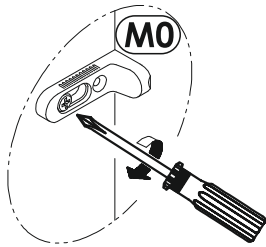
9 ▶

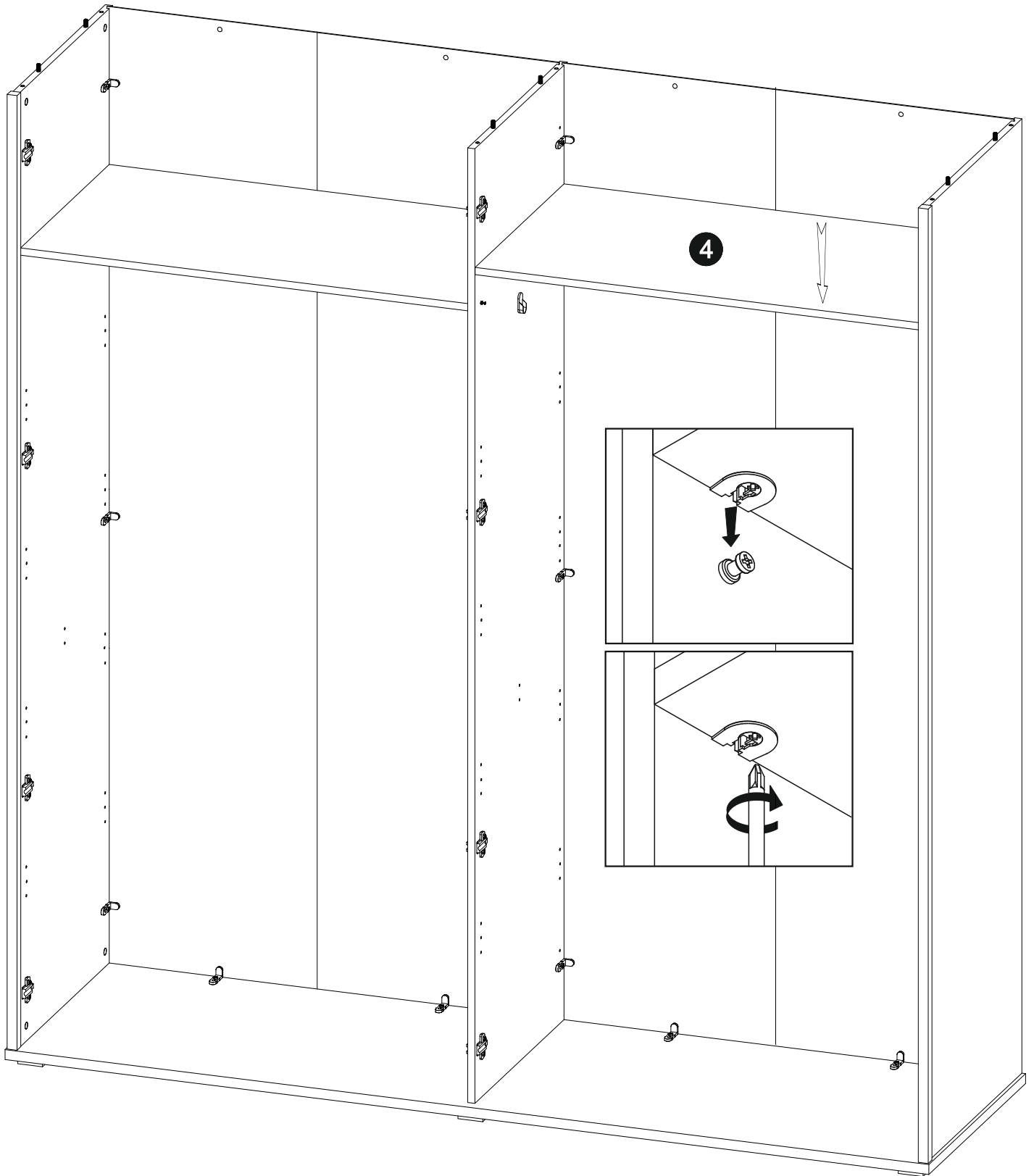
<p>M0</p>  <p>x5</p>	<p>D30 EURO 6,3 x 13 mm x5</p> 
---	--



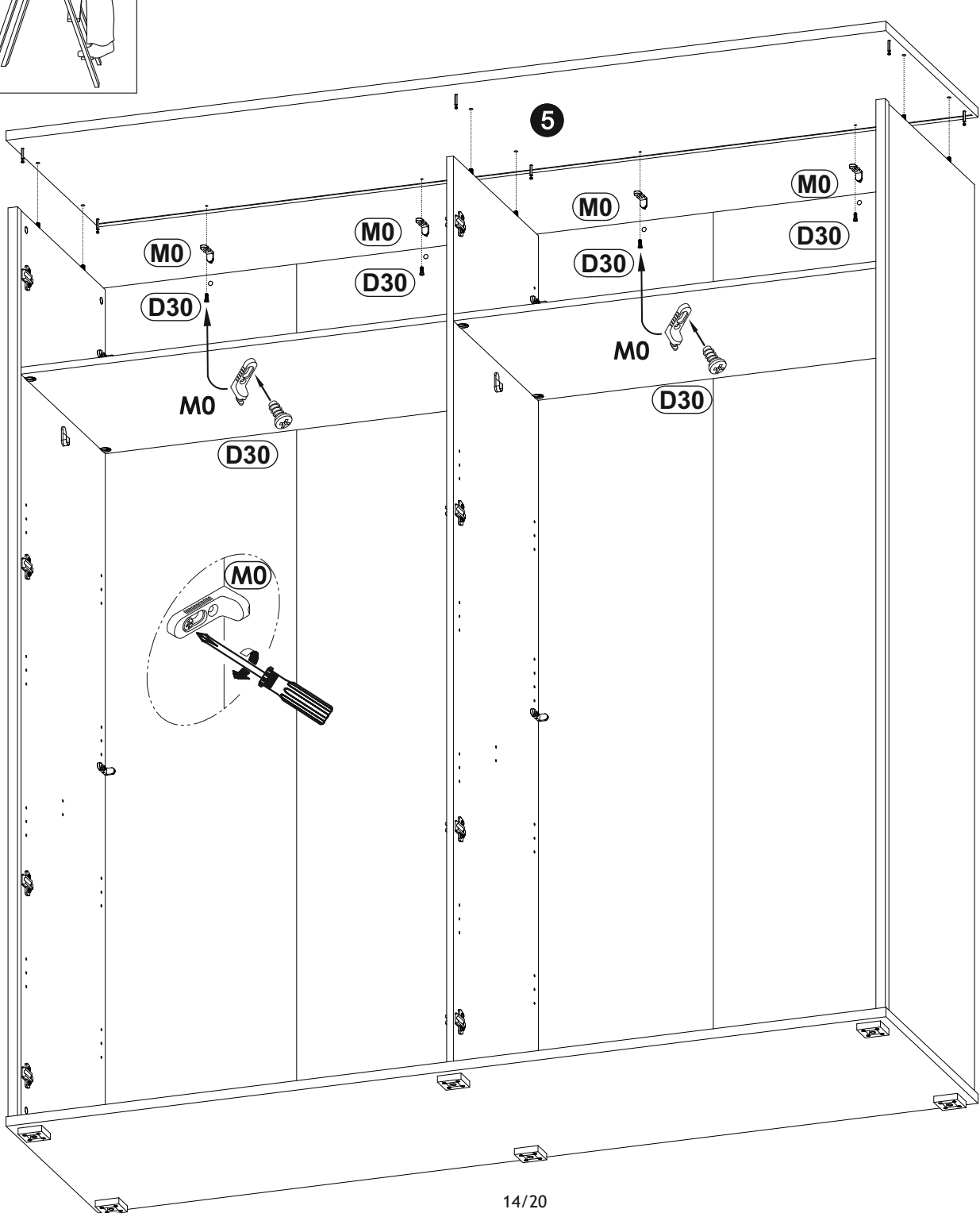
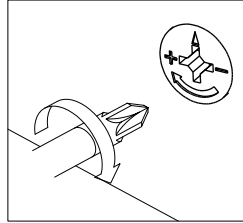
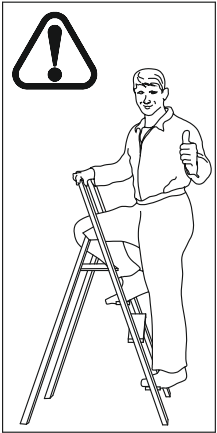
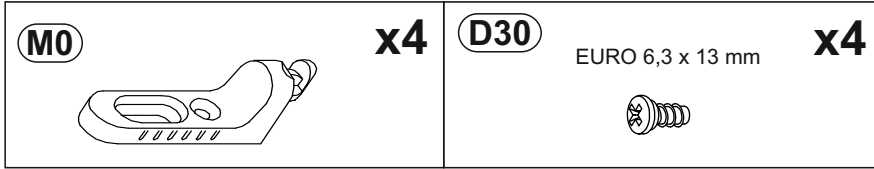
10 ▶

M0 	x3	D30 EURO 6,3 x 13 mm 	x3
--	-----------	---	-----------

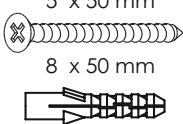



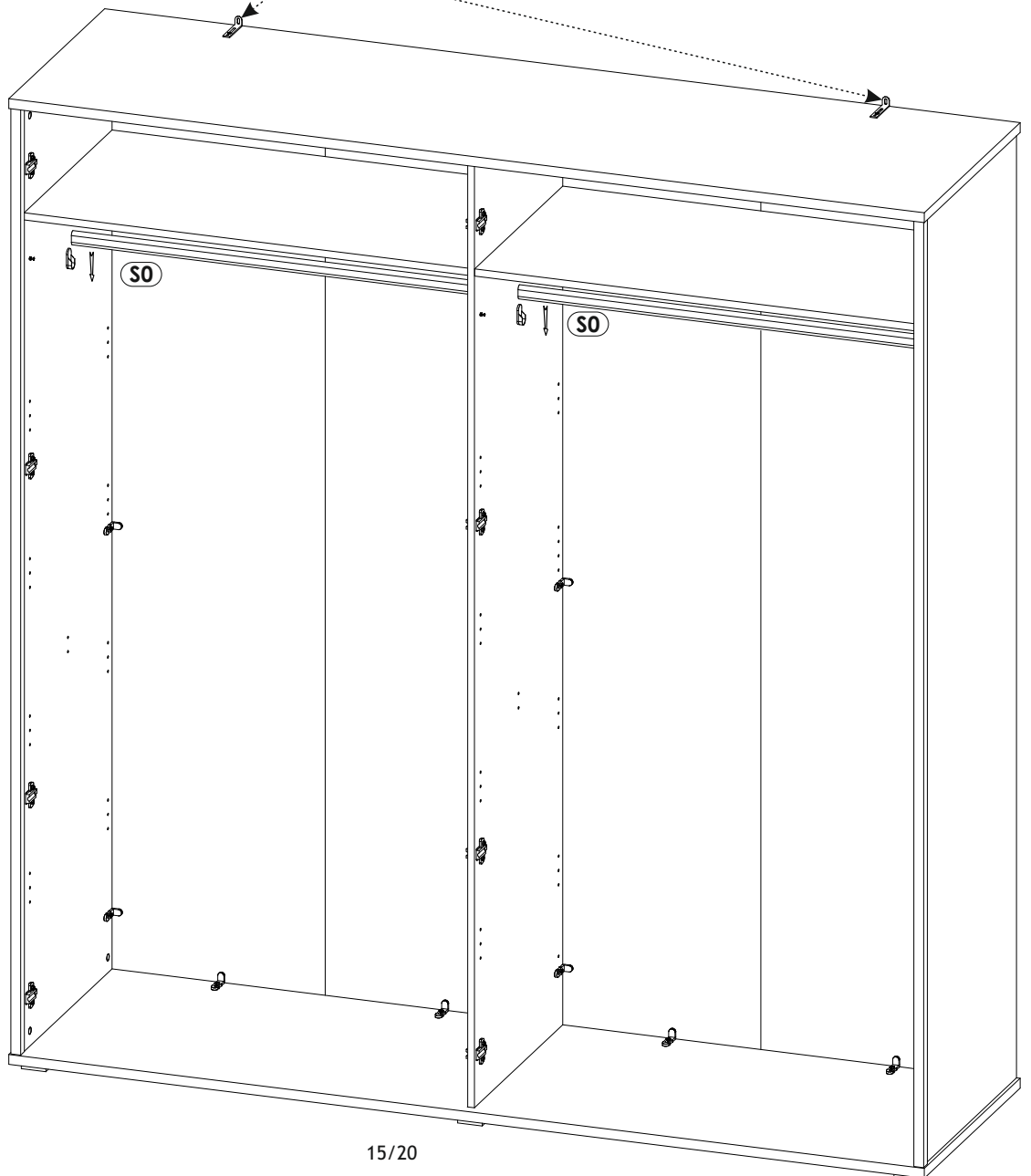
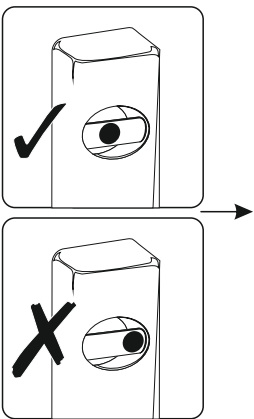
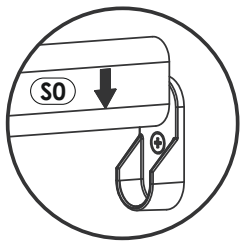
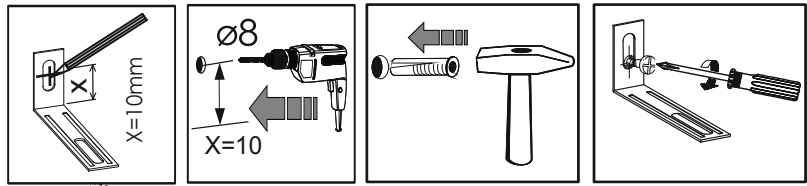
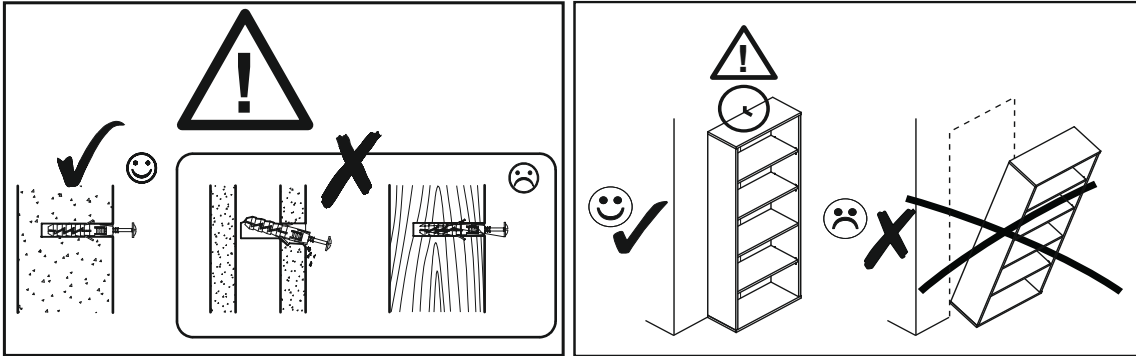


12 ▶

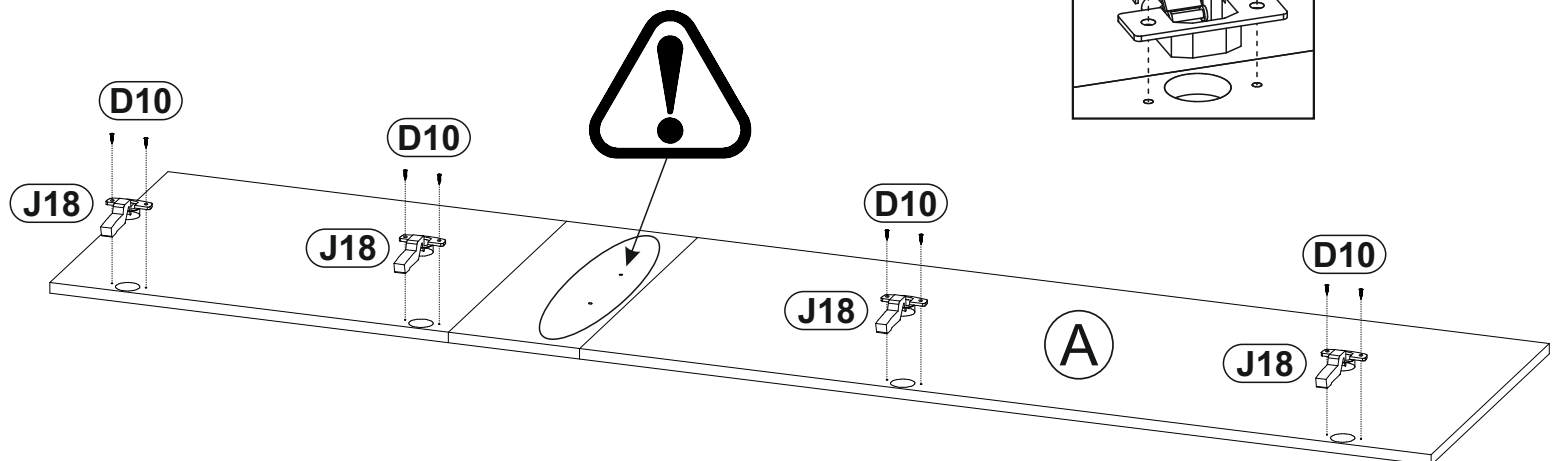
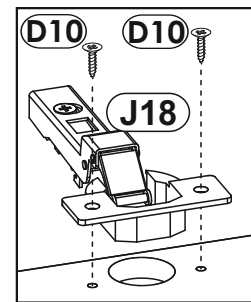
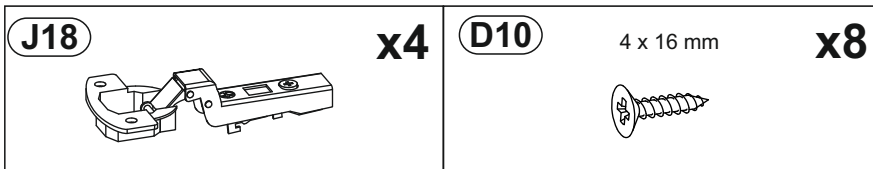
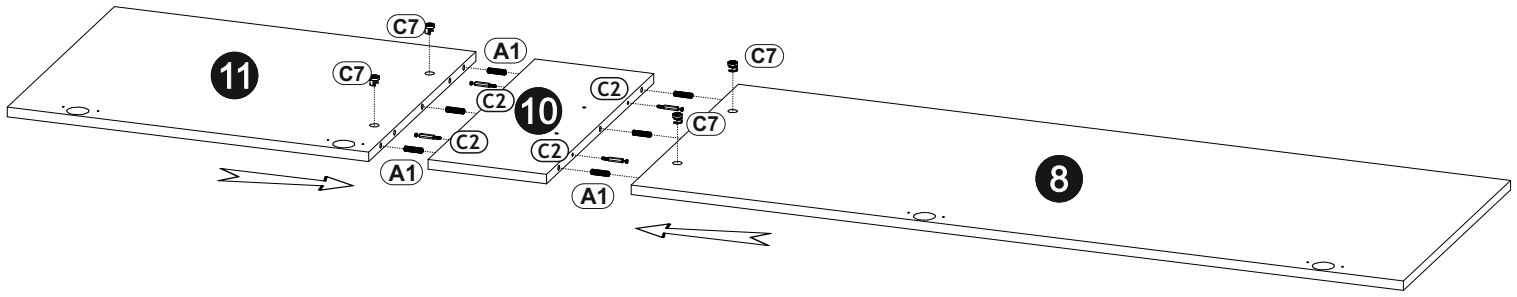
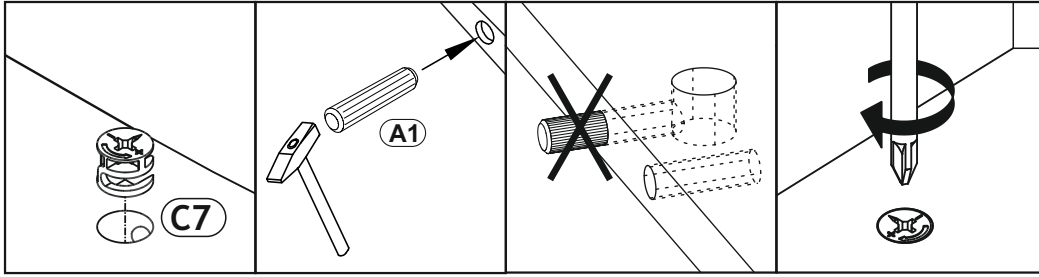
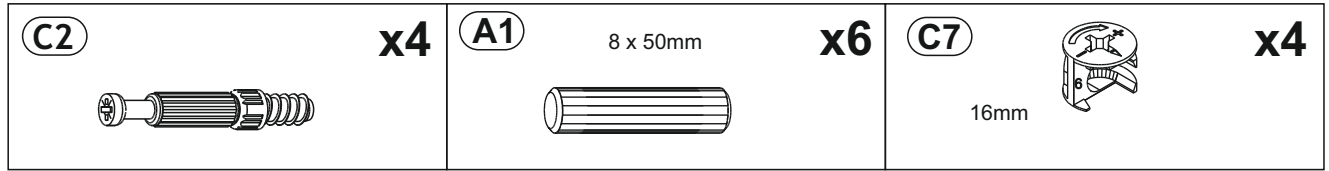


13 ▶




E0	5 x 50 mm 8 x 50 mm	x2	S0	L-985	x2
					

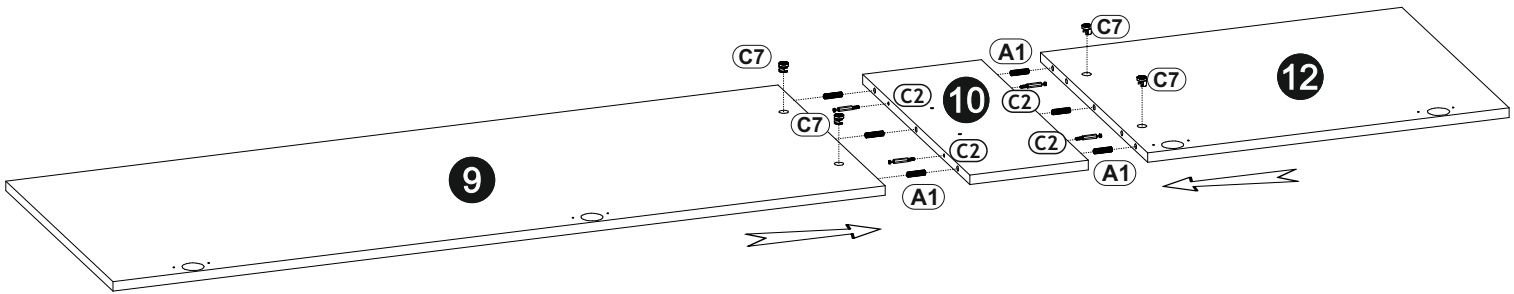
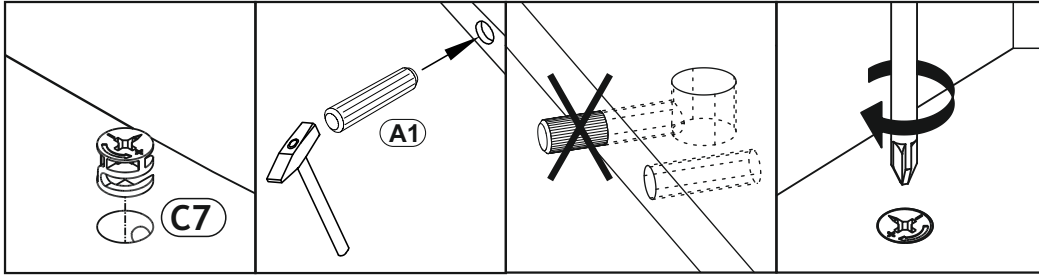


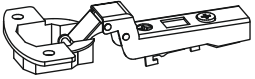
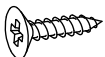
14▶

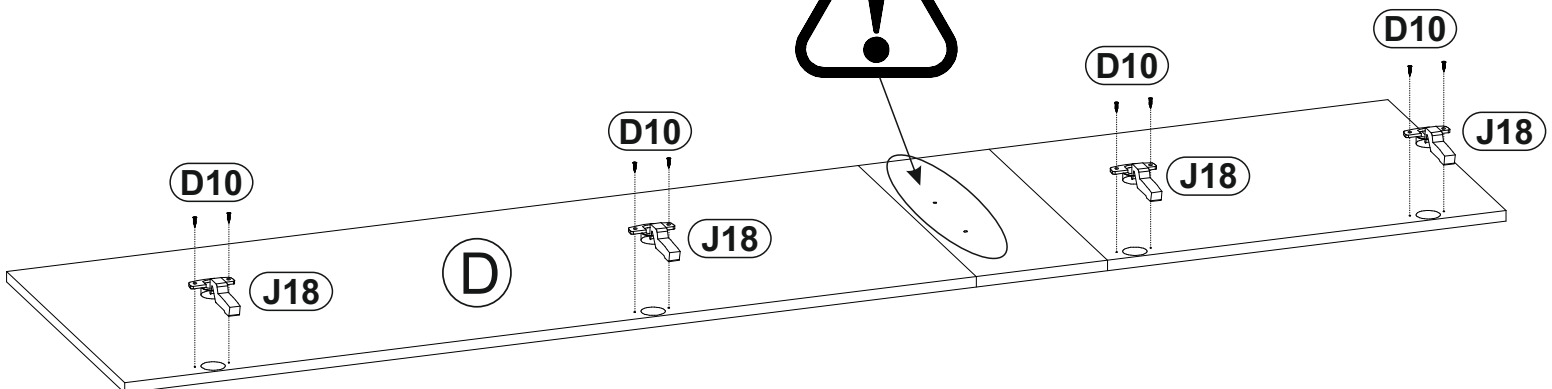
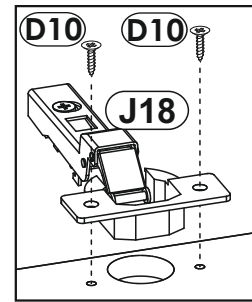


15 ▶




(C2)  x4	(A1) 8 x 50mm  x6	(C7) 16mm  x4
---	---	---

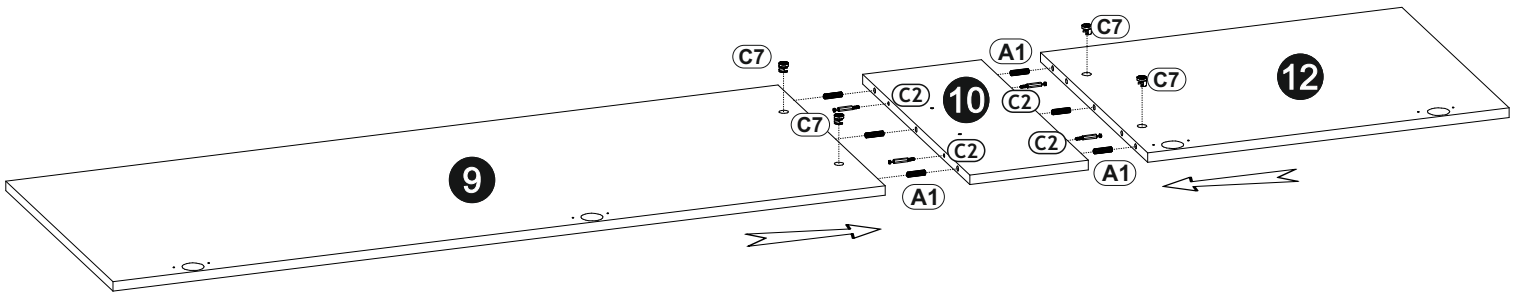
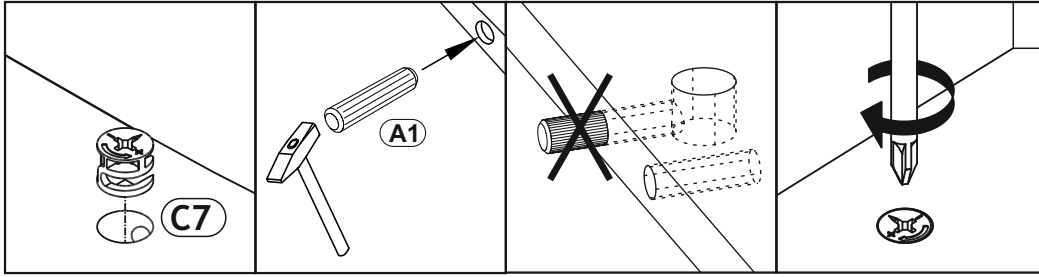


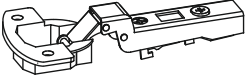
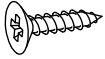
(J18)  x4	(D10) 4 x 16 mm  x8
--	---

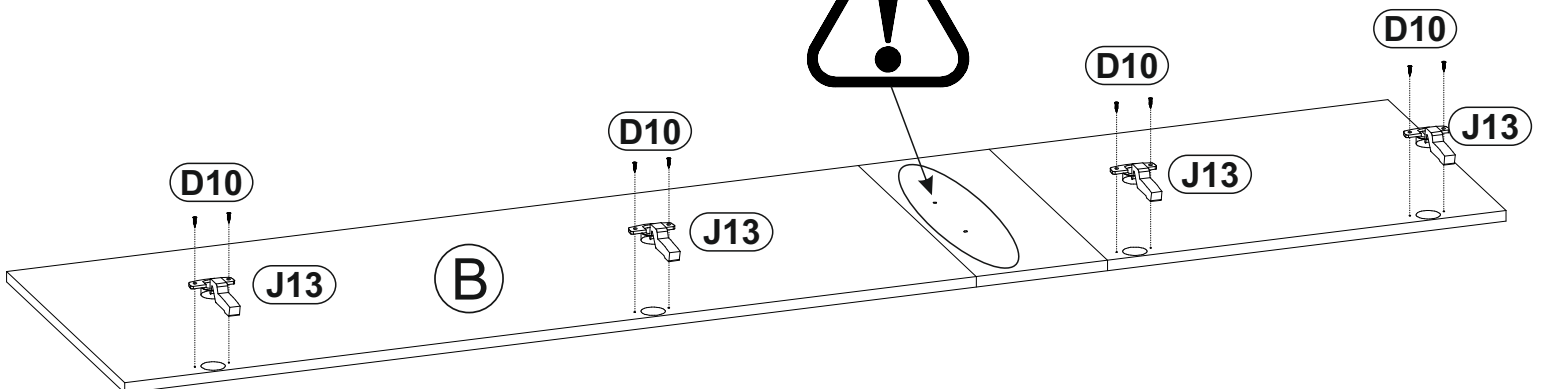
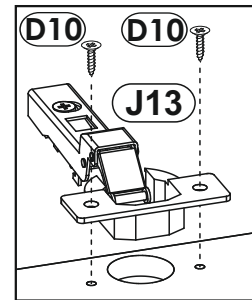


16 ▶




<p>(C2) x4</p> 	<p>(A1) 8 x 50mm x6</p> 	<p>(C7) 16mm x4</p> 
--	--	--


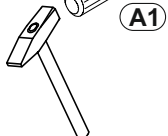
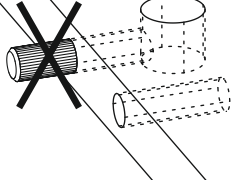



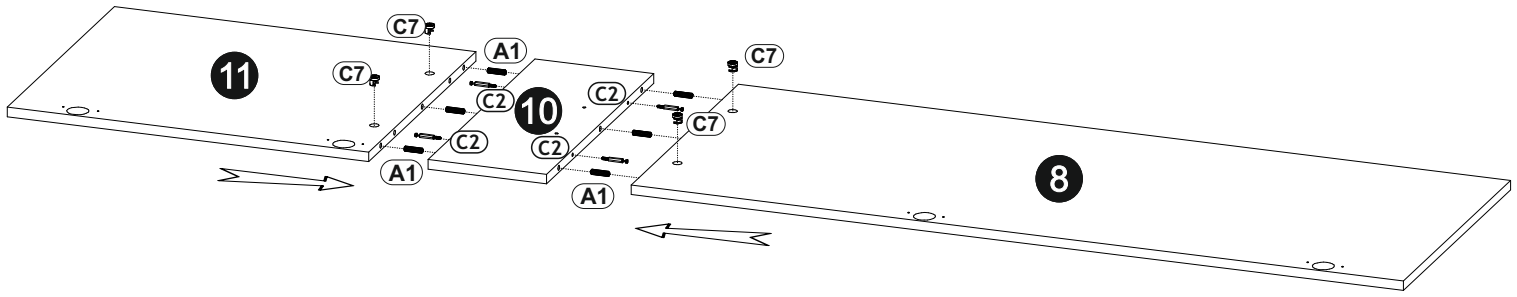
<p>(J13) x4</p> 	<p>(D10) 4 x 16 mm x8</p> 
---	--

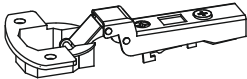
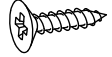


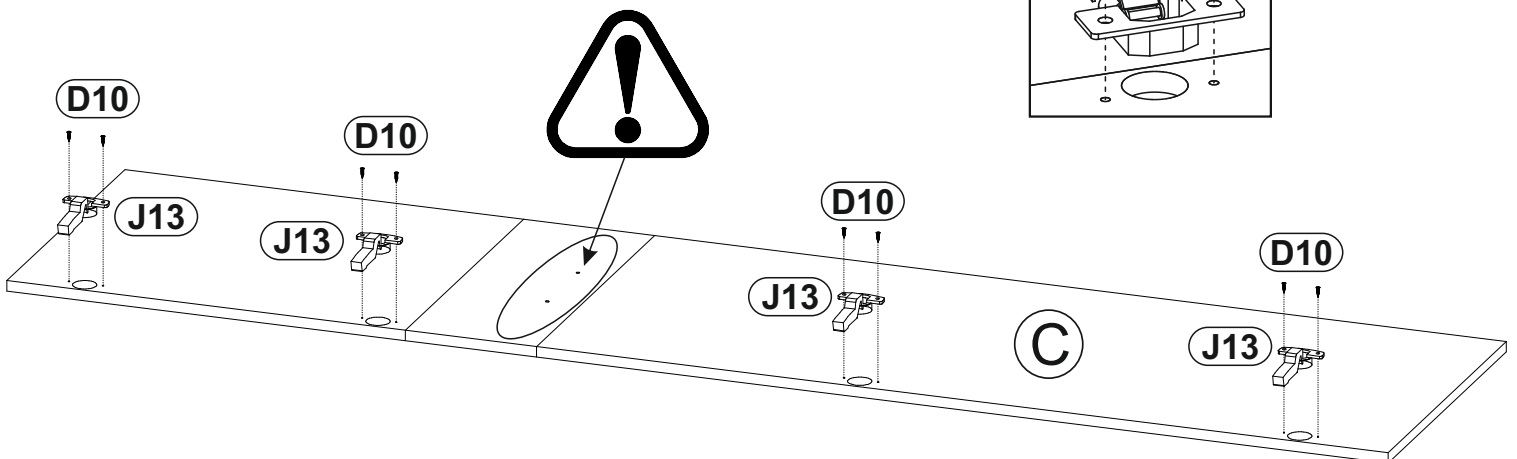
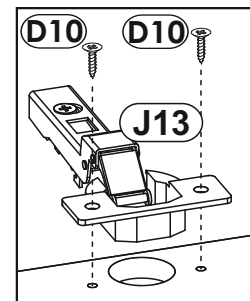
17▶

(C2)  x4	(A1) 8 x 50mm  x6	(C7) 16mm  x4
--	--	--




			
---	---	---	---



(J13)  x4	(D10) 4 x 16 mm  x8
---	--



18 ▶

L25 	x4	D16 	4,2 x 28 mm	x8	C0 	x28
---	-----------	---	-------------	-----------	--	------------

