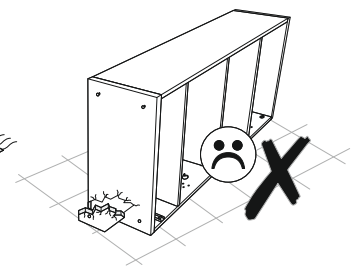
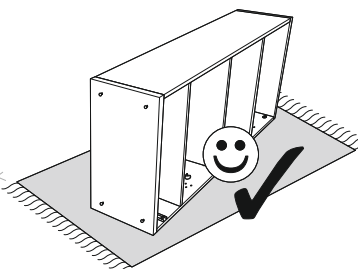
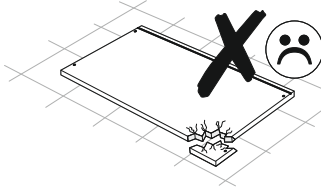
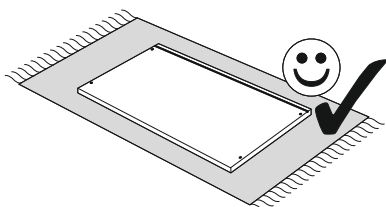
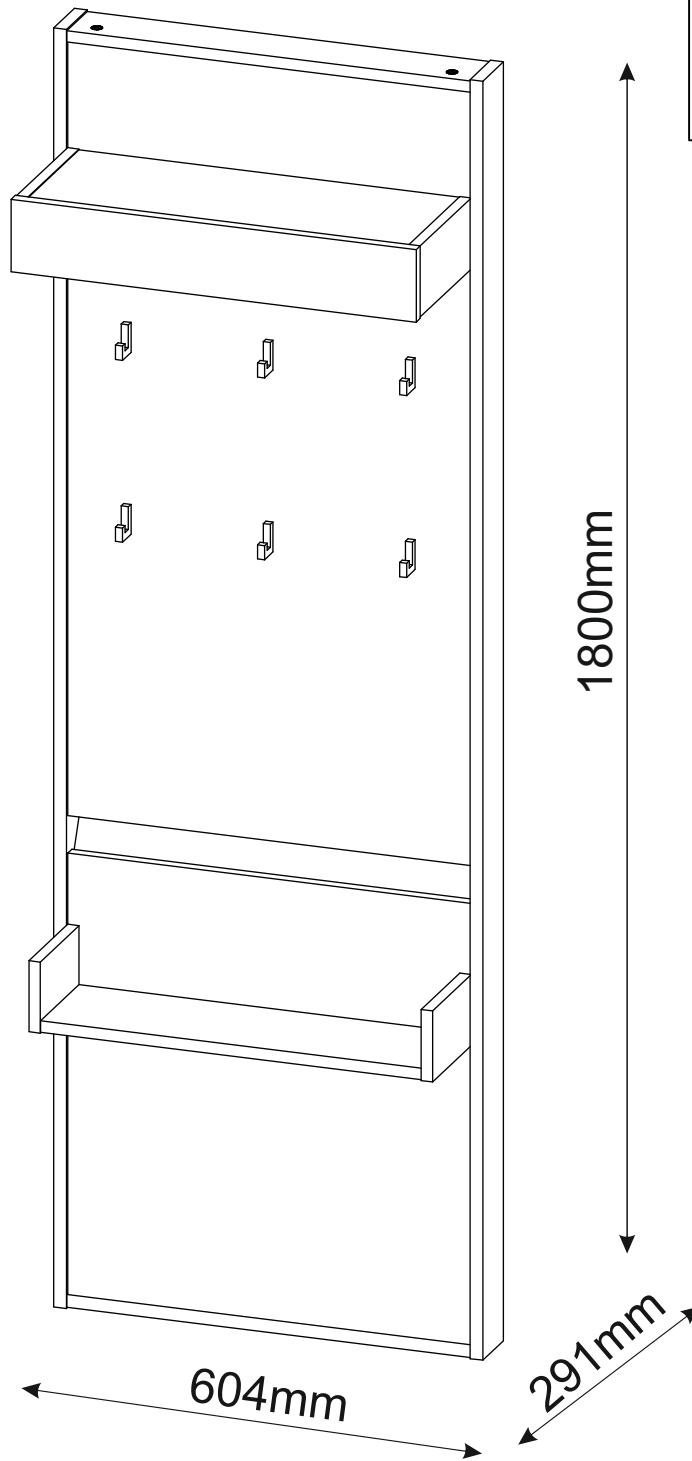
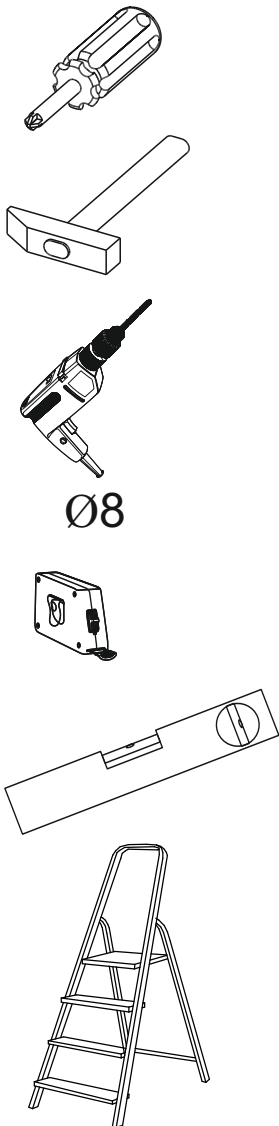
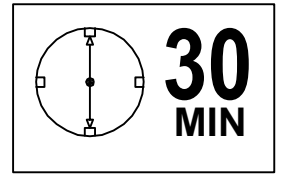
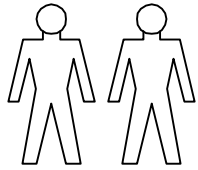

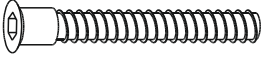





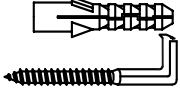
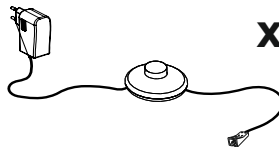
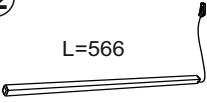

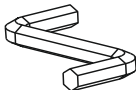

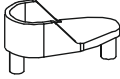



WELCOME - Garderobenpaneel



WELCOME - Garderobenpaneel

A0 8 x 30mm x38 	B2 f 7 x 70 mm x8 	C0 x6 
C7 x26  16mm	C2 x26 	D5 3,5 x 16 mm x2 
D22 5 x 11 mm x6 	E2 8 x 40 mm x3 	G15 x1 
G12 x1  L=566	P16 x6 	K x1  4mm
H6 4 x 22 mm x12 	O0 x2 	S0 L-195 x1 

250
MM

240

230

220

210

200

190

180

170

160

150

140

130

120

110

100

90

80

70

60

50

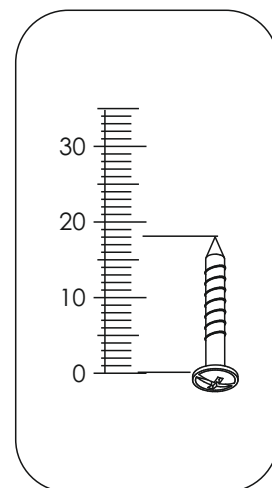
40

30




20

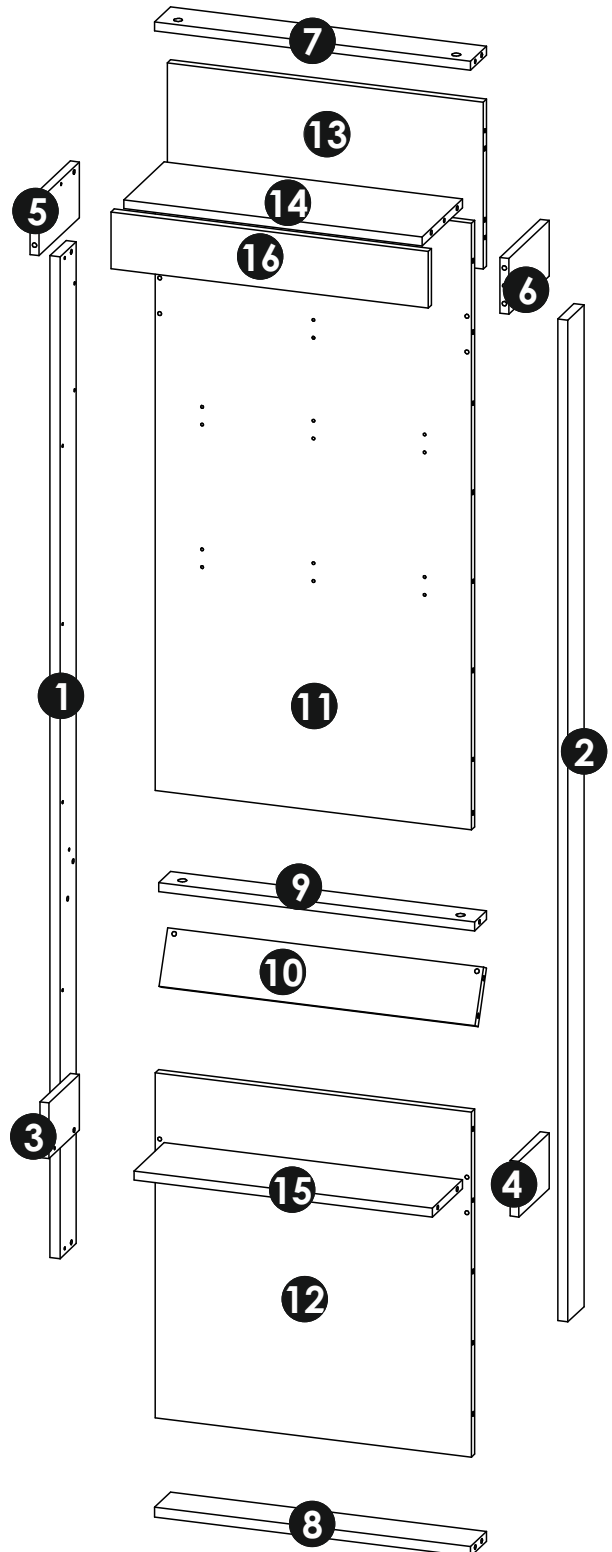
10

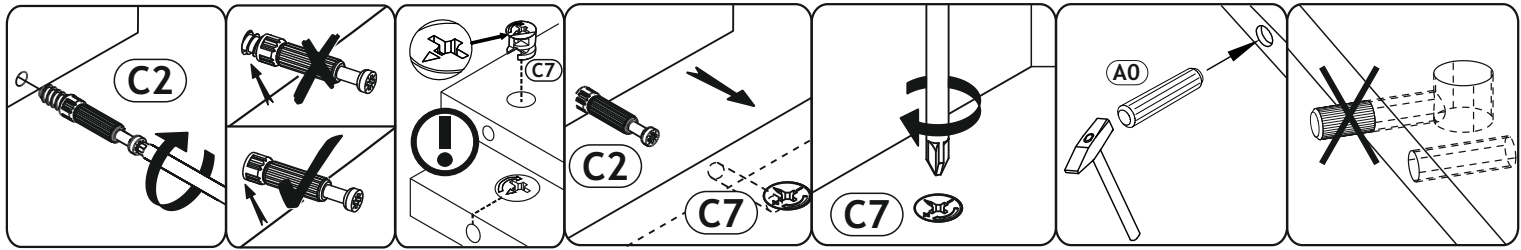
0



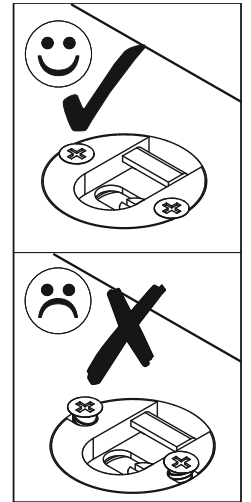
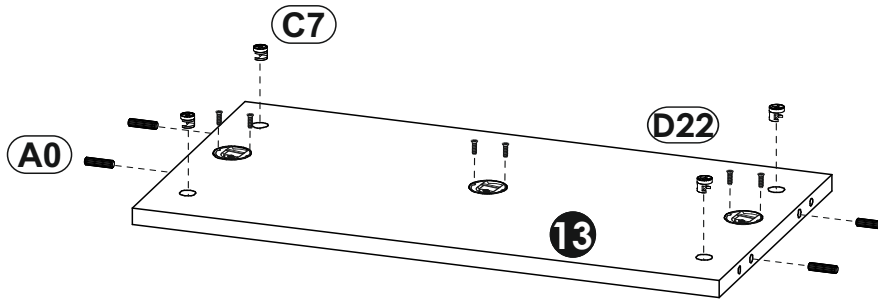
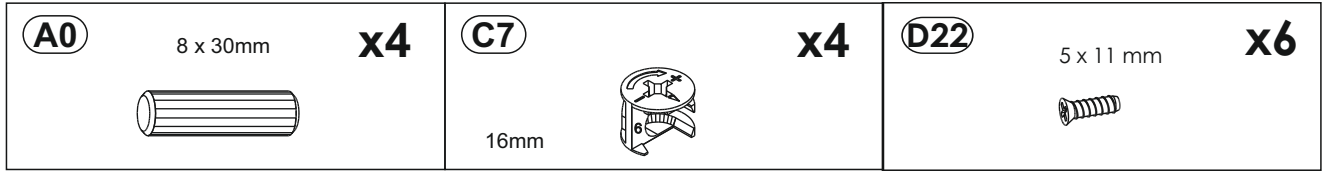
WELCOME - Garderobenpaneel

1	1800	80	1	18	2/3
2	1800	80	1	18	2/3
3	150	100	1	16	1/3
4	150	100	1	16	1/3
5	200	100	1	16	1/3
6	200	100	1	16	1/3
7	568	79	1	16	1/3
8	568	79	1	18	2/3
9	568	59	1	16	1/3
10	568	100	1	16	1/3
11	568	1090	1	16	1/3
12	568	620	1	16	1/3
13	568	300	1	16	1/3
14	536	200	1	16	1/3
15	536	149	1	16	1/3
16	570	102	1	16	1/3
17					3/3
18					3/3
19					2/3

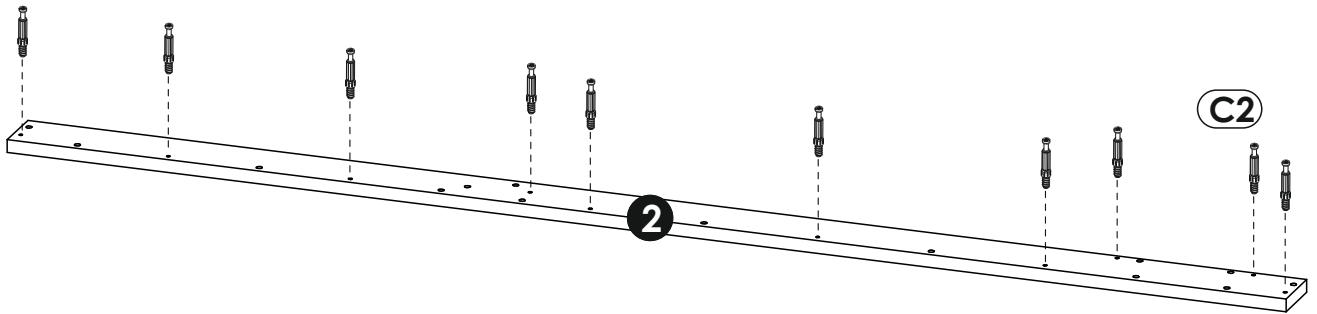
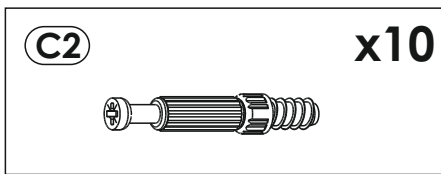




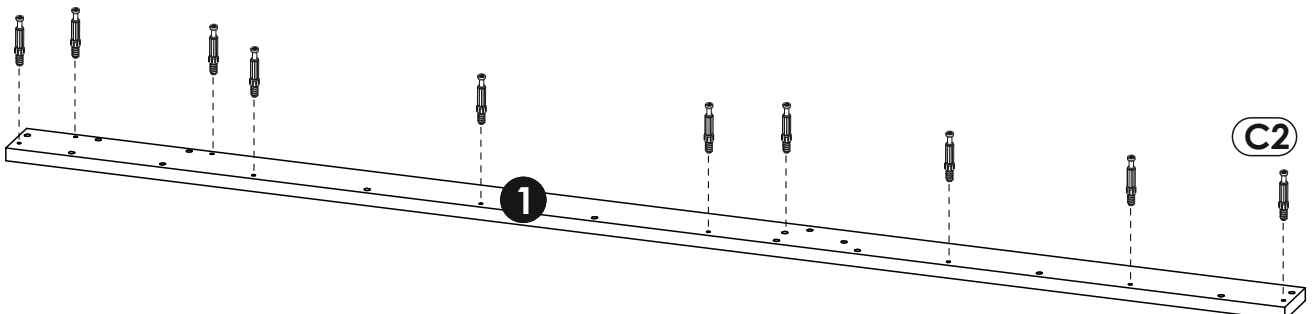
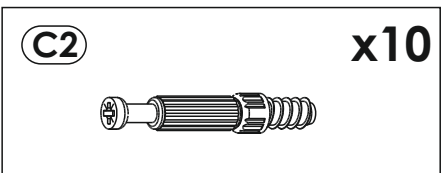
1 ▶





2 ▶

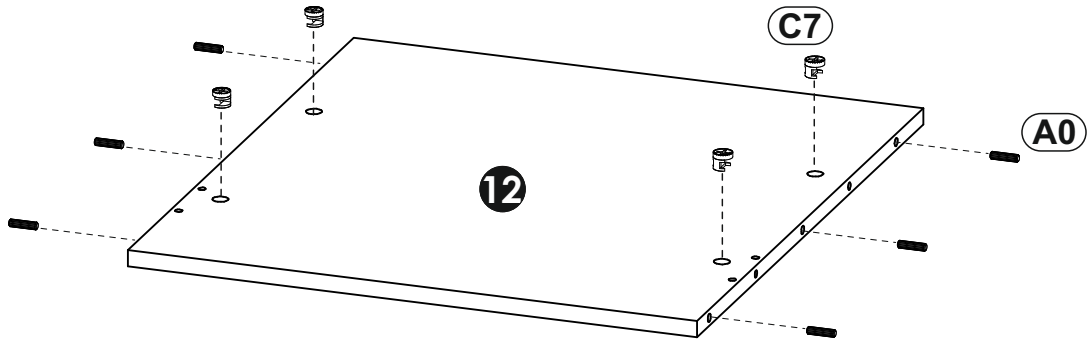


3 ▶

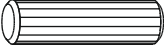

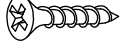
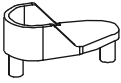


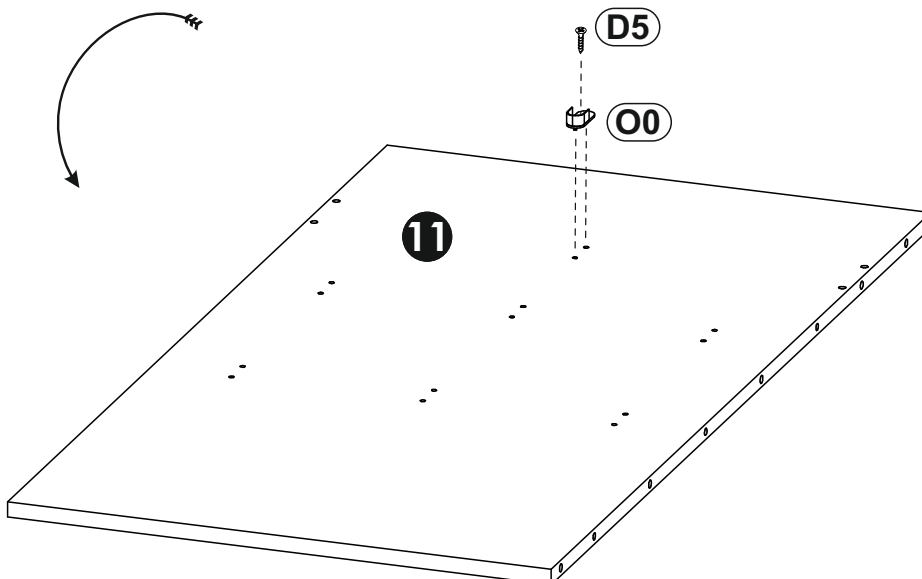
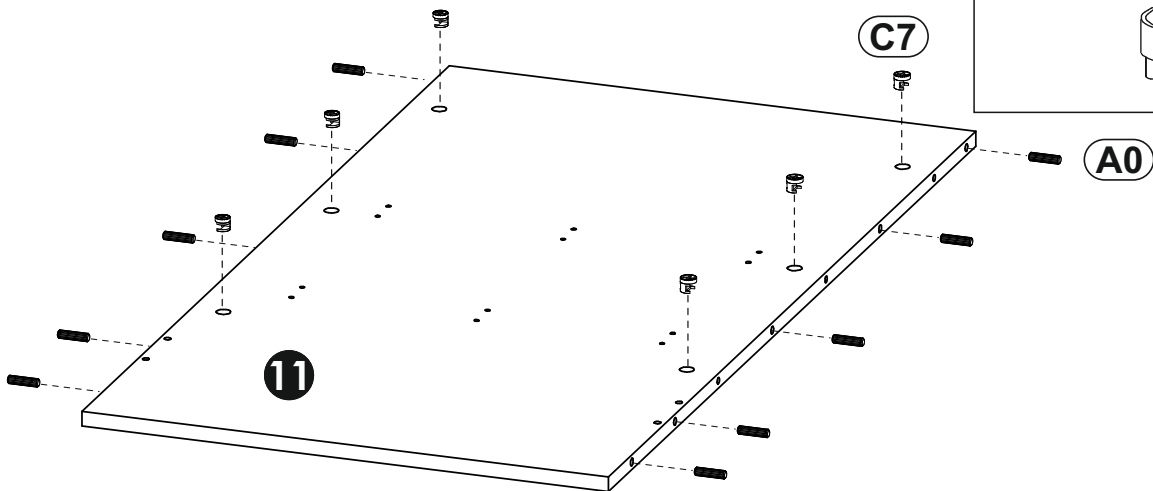
4 ▶

A0	8 x 30mm	x6	C7	x4
			16mm	

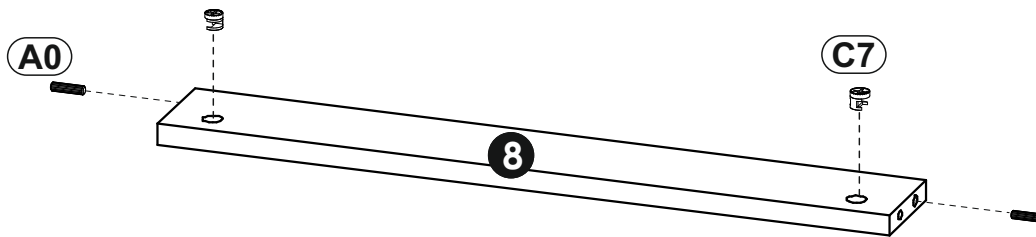
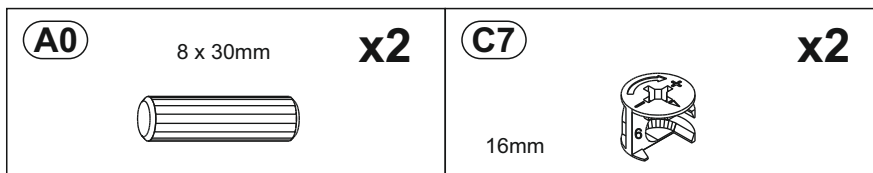


5 ▶

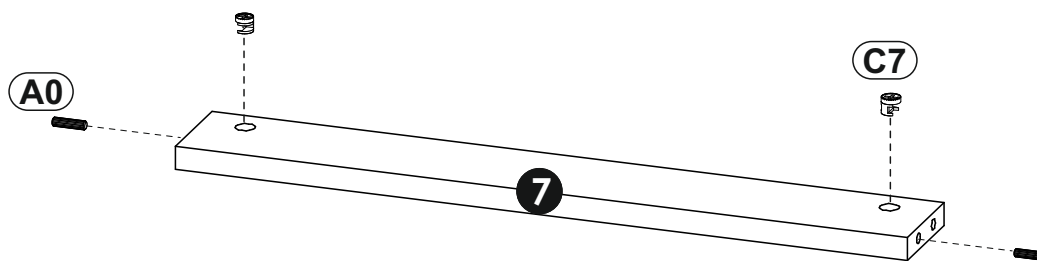
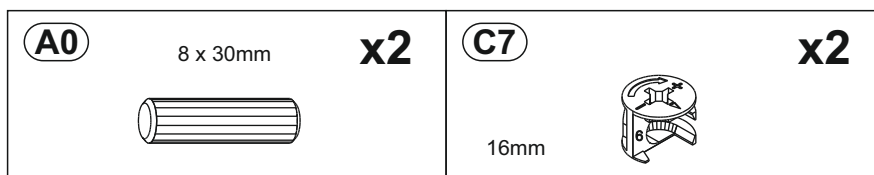
A0	8 x 30mm	x10	C7	x6	D5	3,5 x 16 mm	x1
			16mm				
					O0		x1



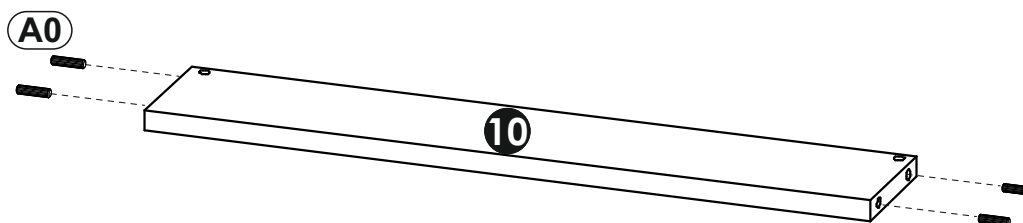
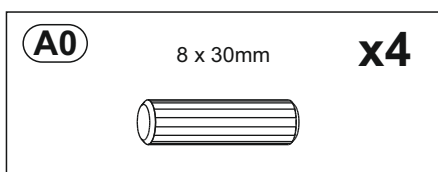
6 ▶





7 ▶

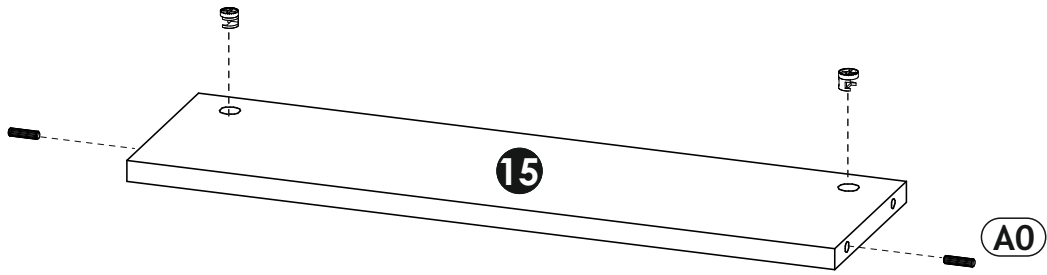


8 ▶





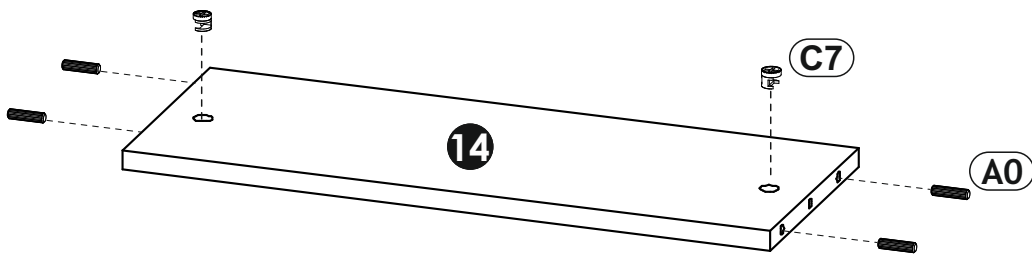
9 ▶

<p>A0 8 x 30mm x2</p> 	<p>C7 x2</p> <p>16mm</p> 
---	--


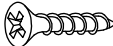
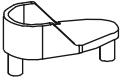


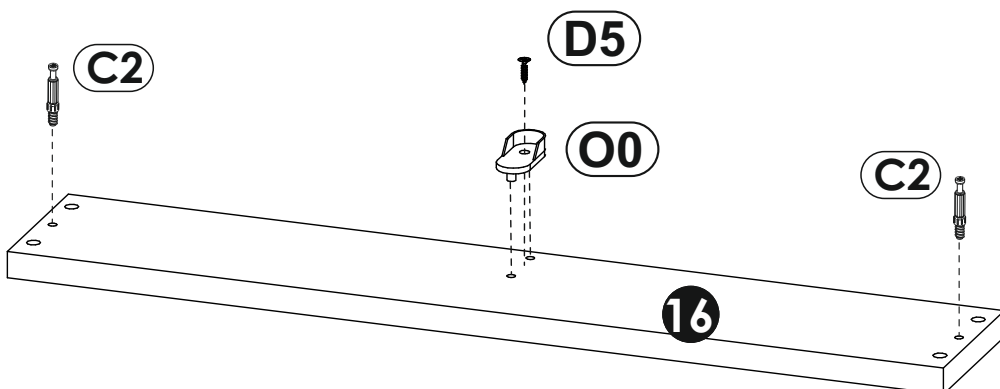
10 ▶

<p>A0 8 x 30mm x4</p> 	<p>C7 x2</p> <p>16mm</p> 
---	--

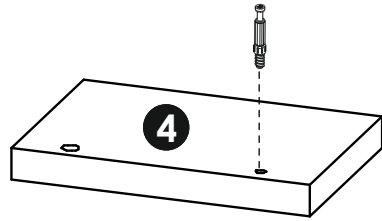
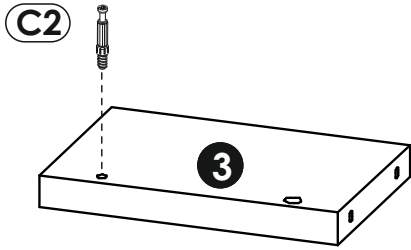
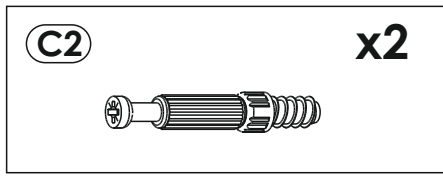


11 ▶

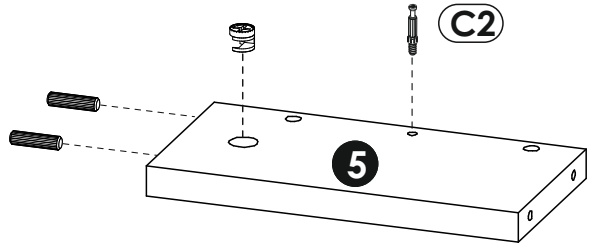
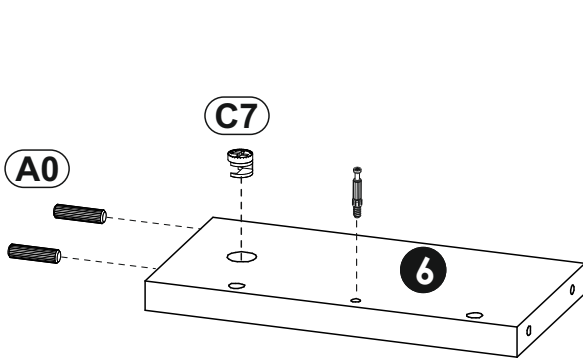
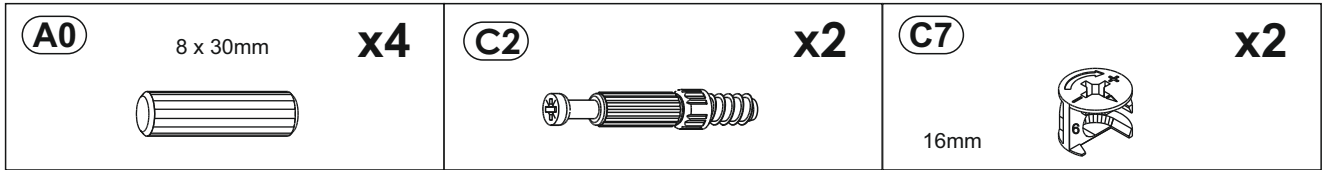
<p>C2 x2</p> 	<p>D5 3,5 x 16 mm x1</p> 	<p>O0 x1</p> 
--	--	--



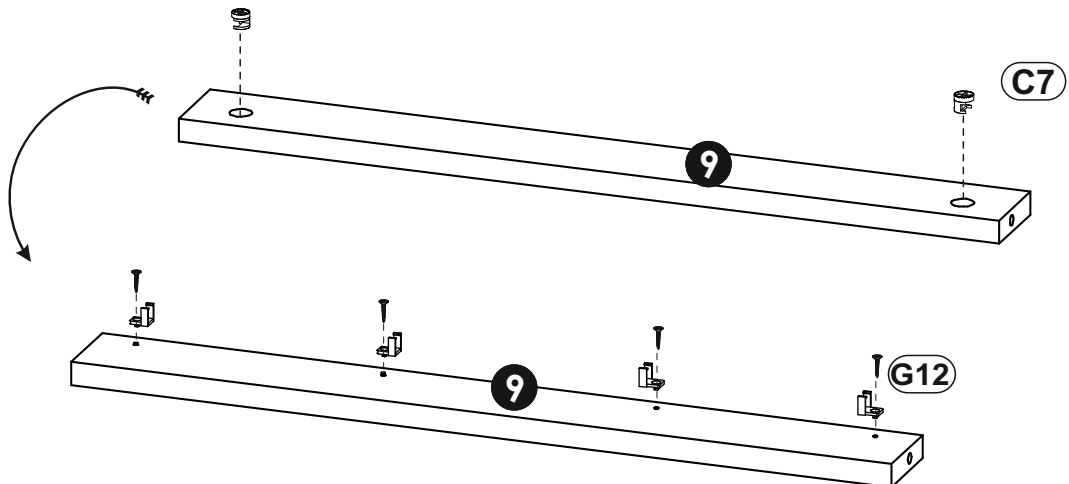
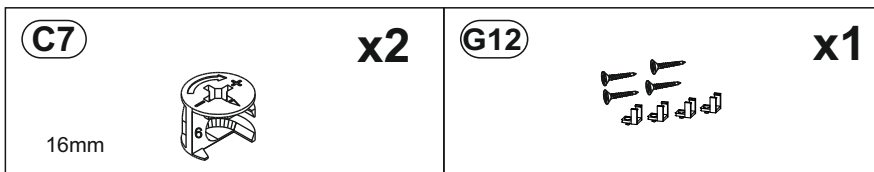
12 ▶



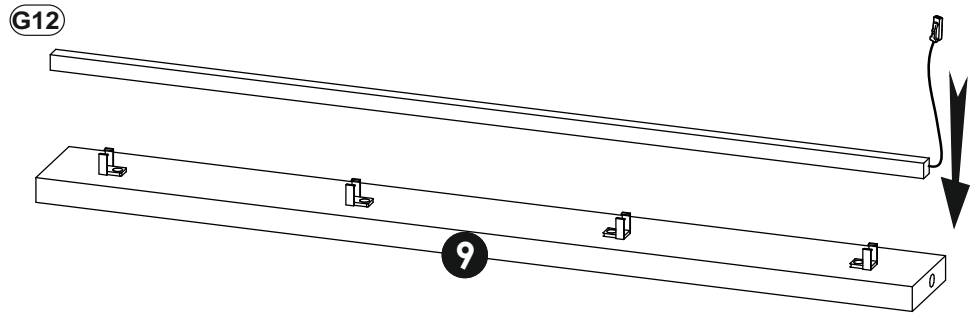
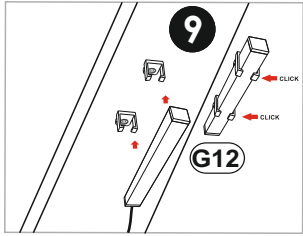
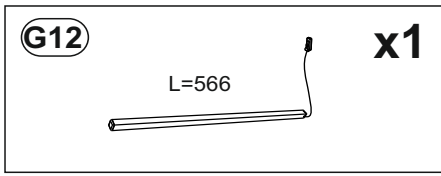
13 ▶



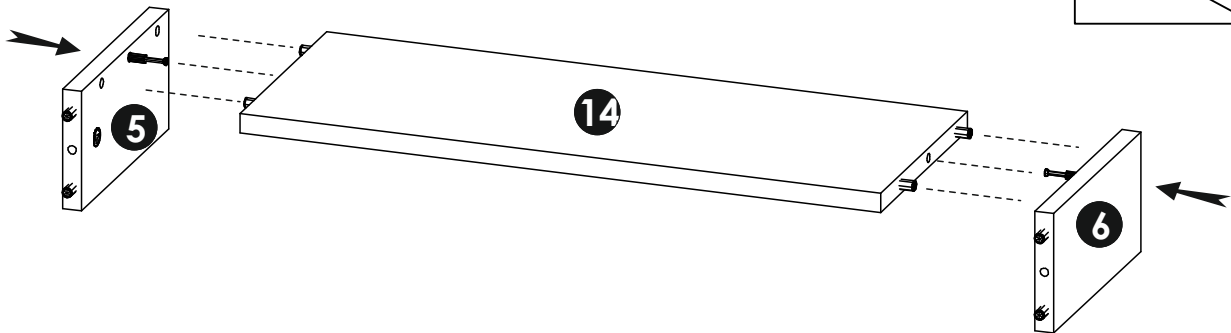
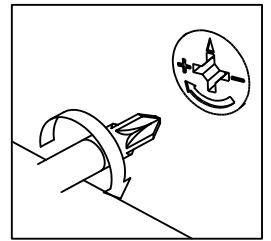
14 ▶



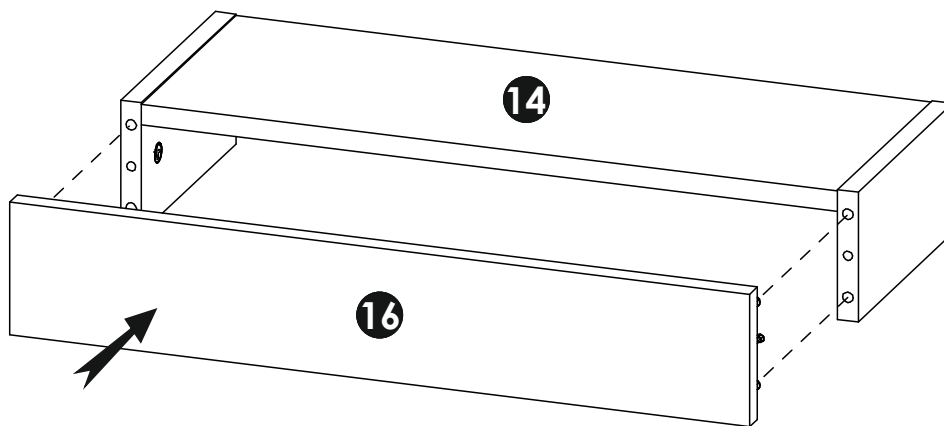
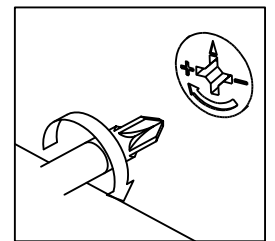
15 ▶



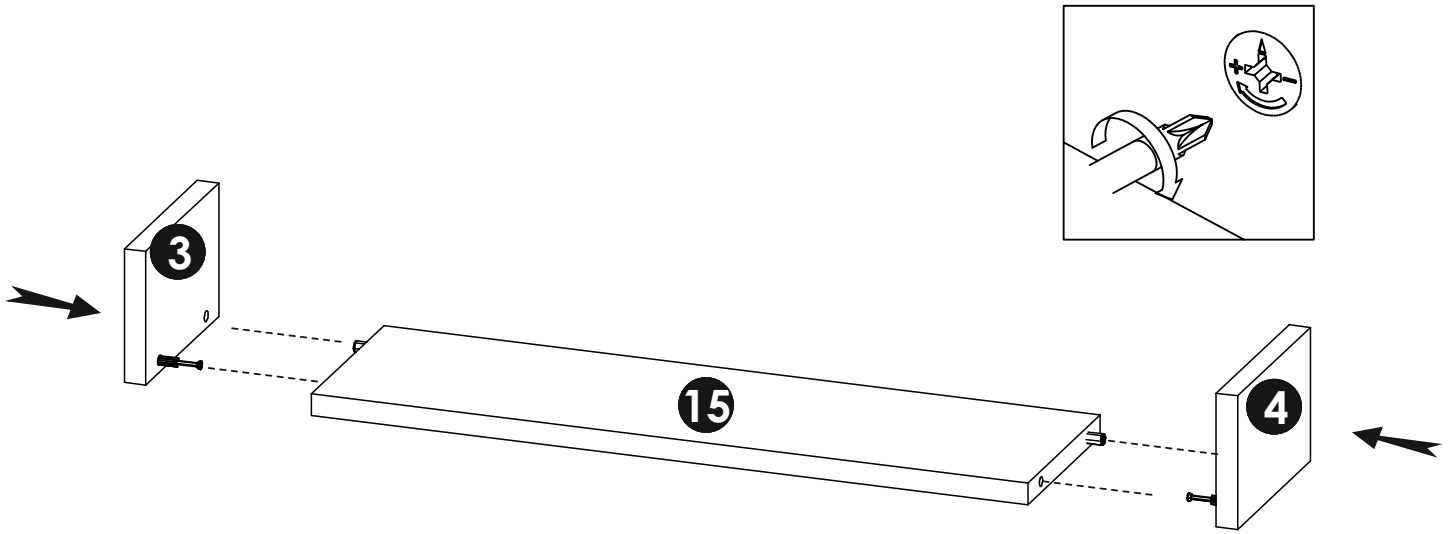
16 ▶



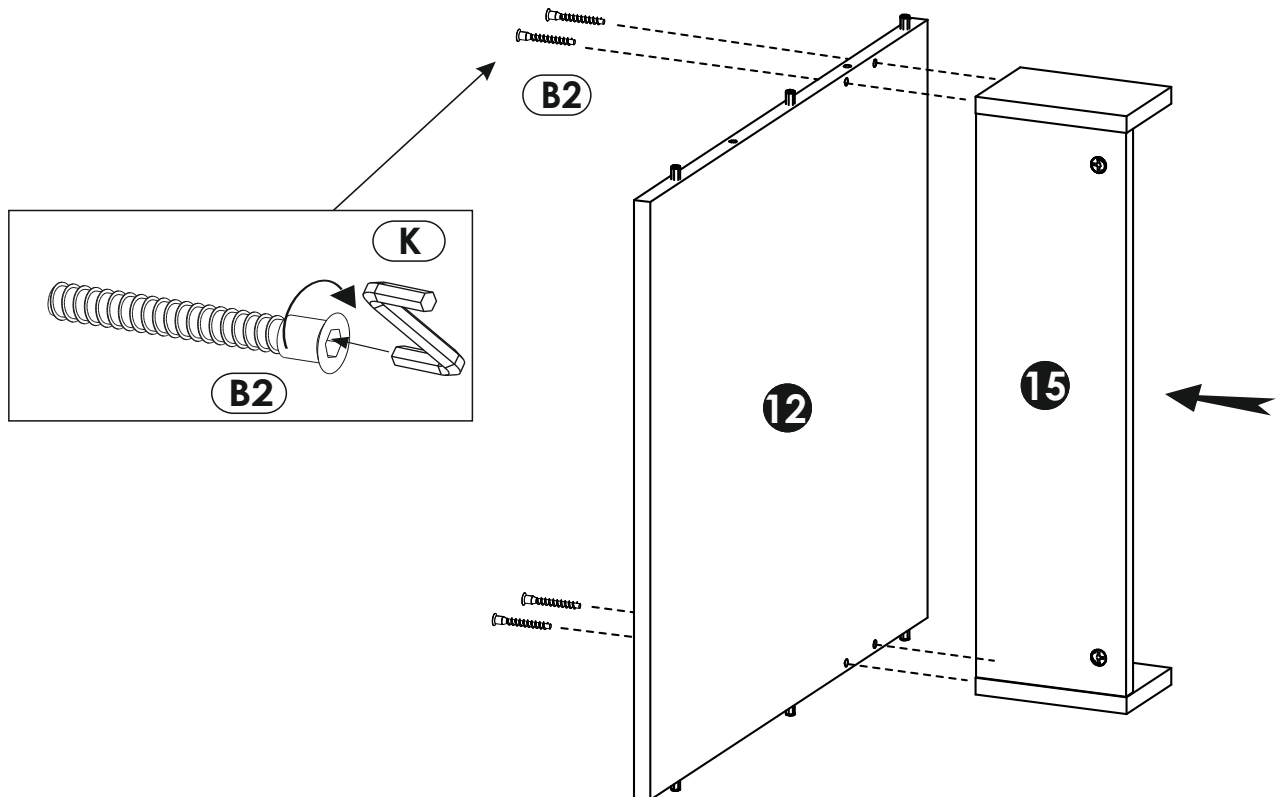
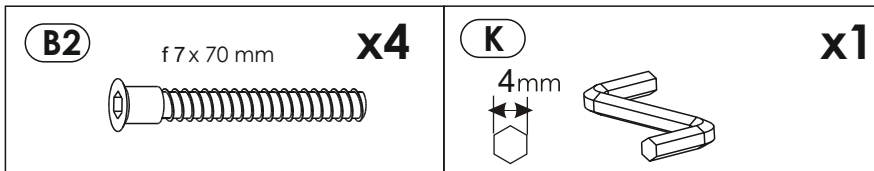
17 ▶



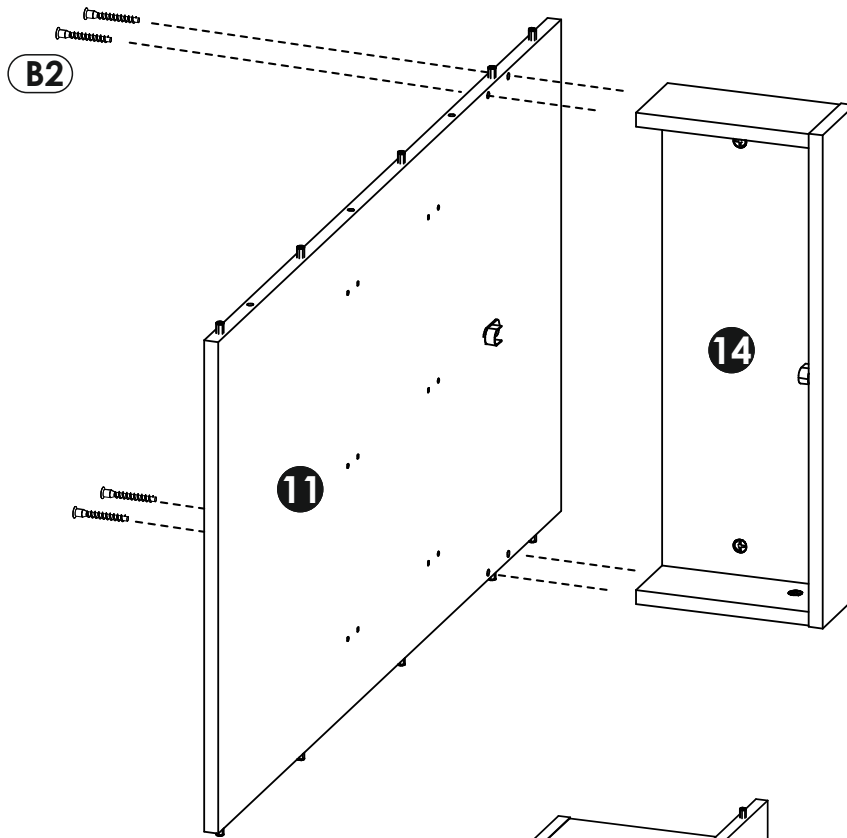
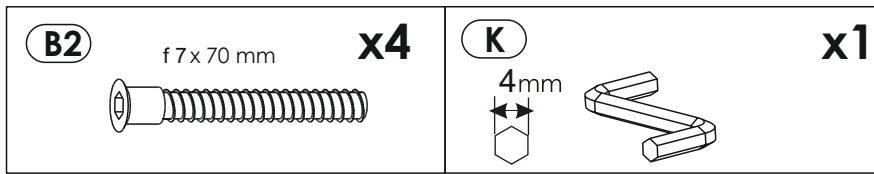
18 ▶



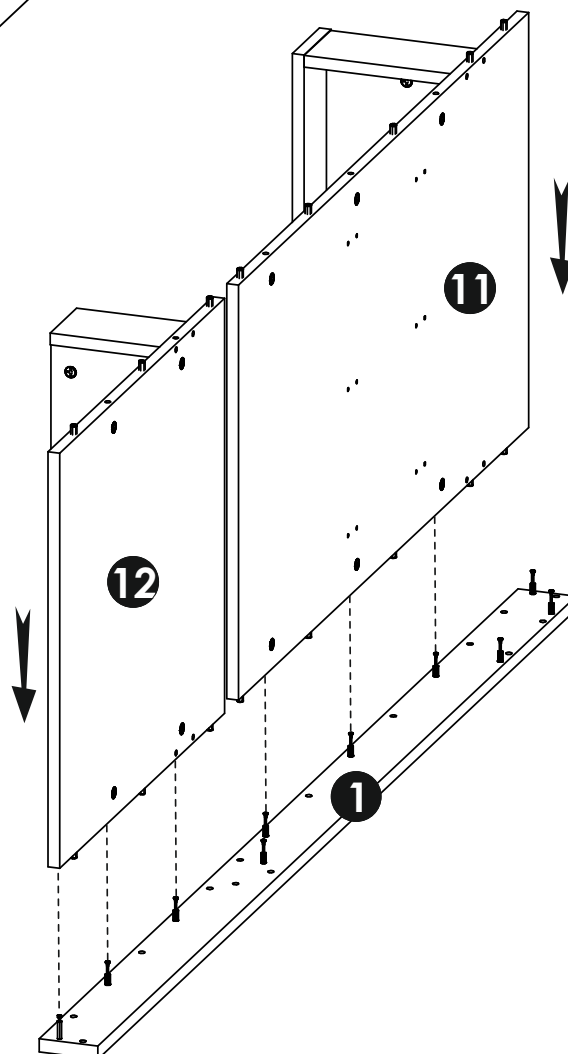
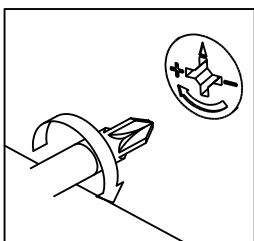
19 ▶



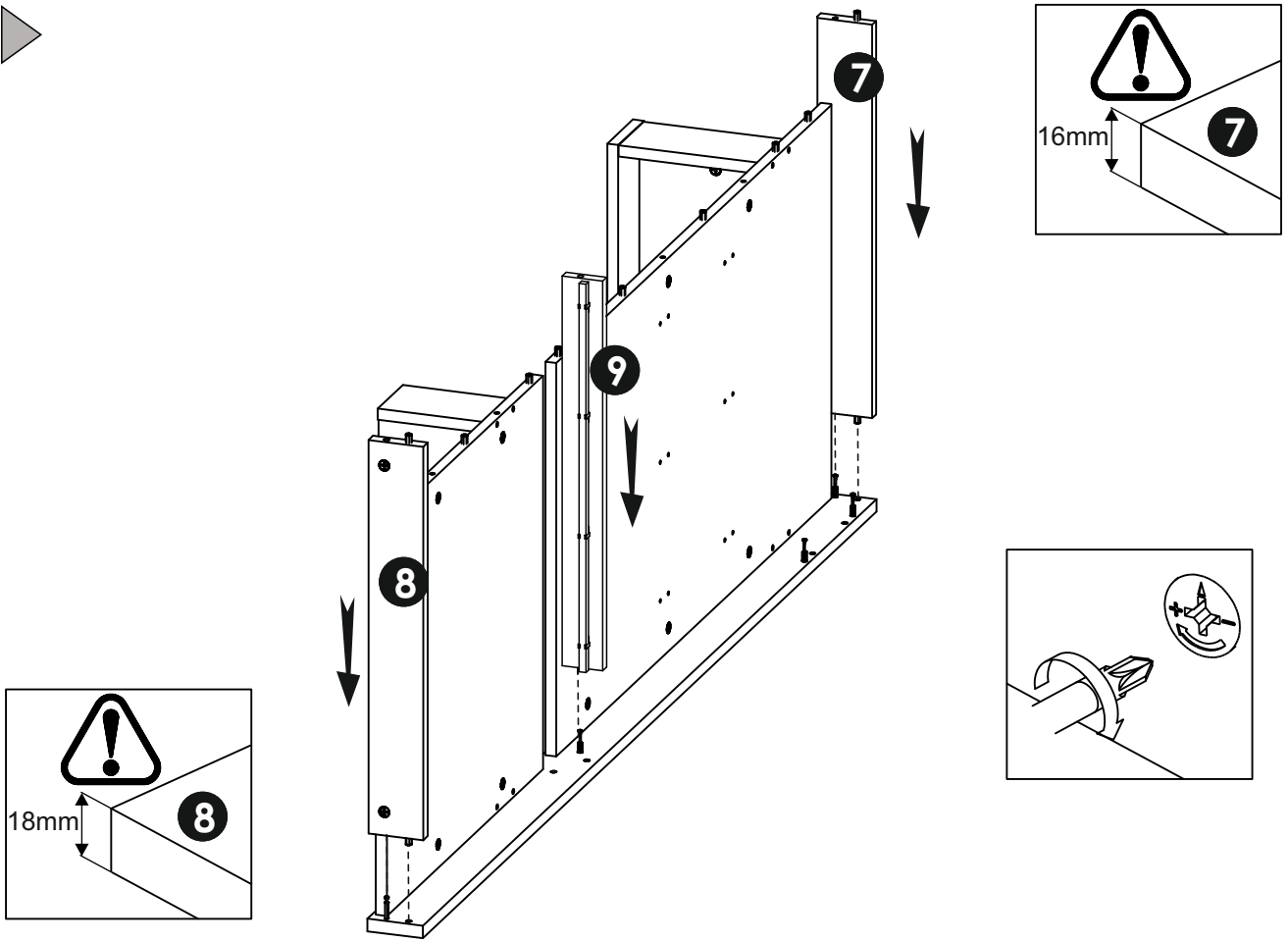
20 ▶



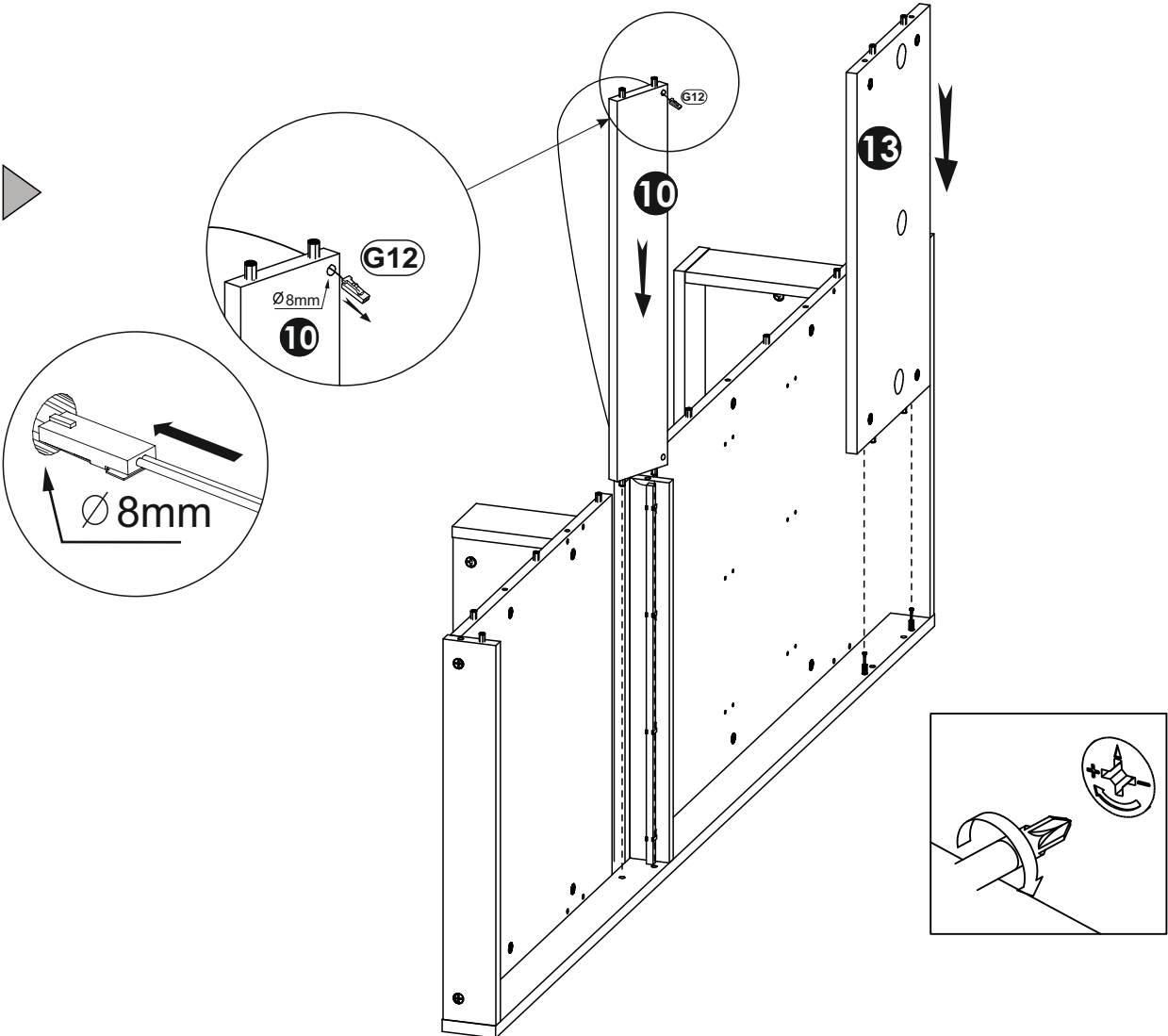
21 ▶



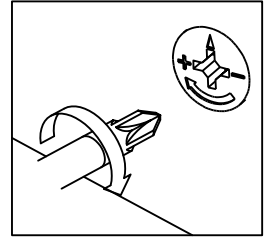
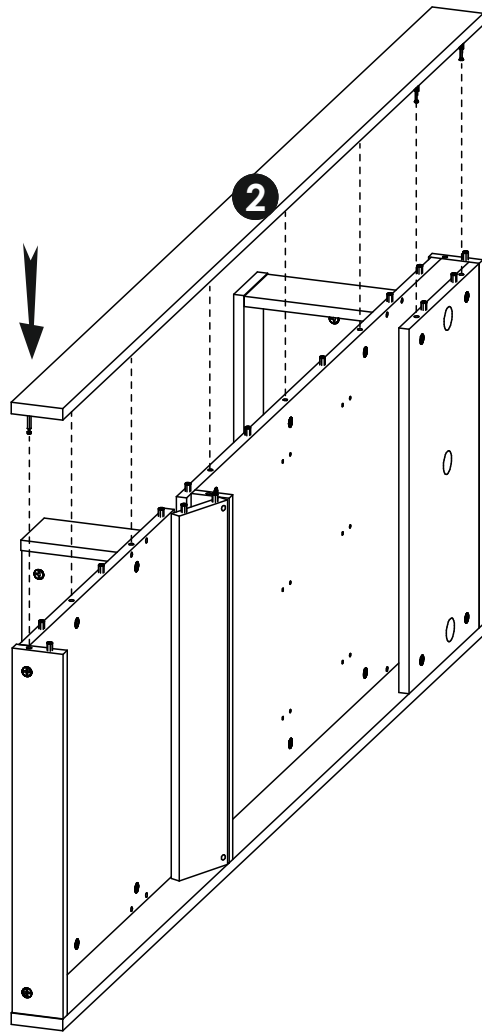
22 ▶



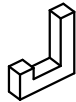
23 ▶

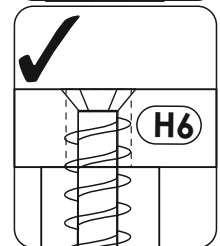
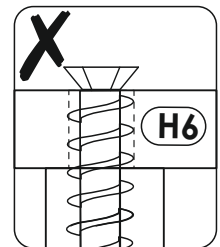
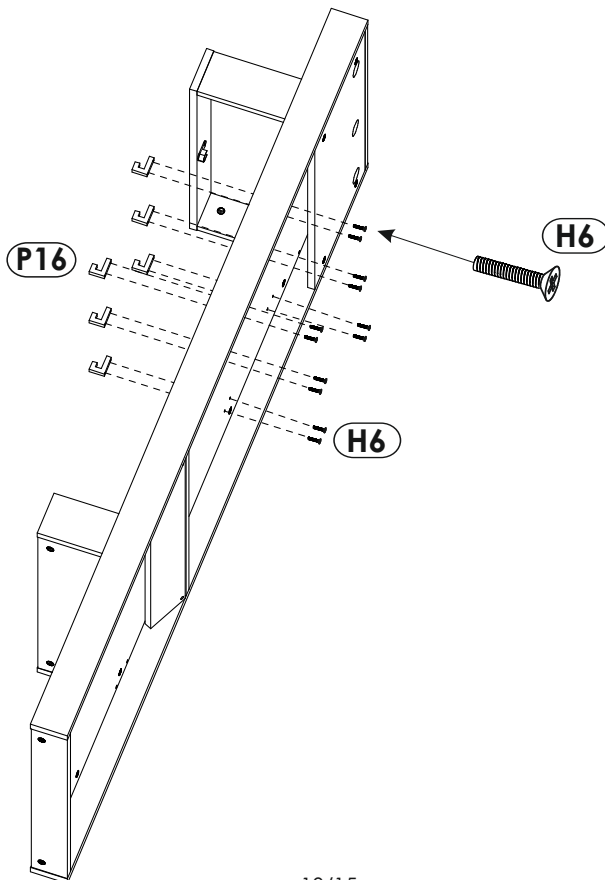


24 ▶

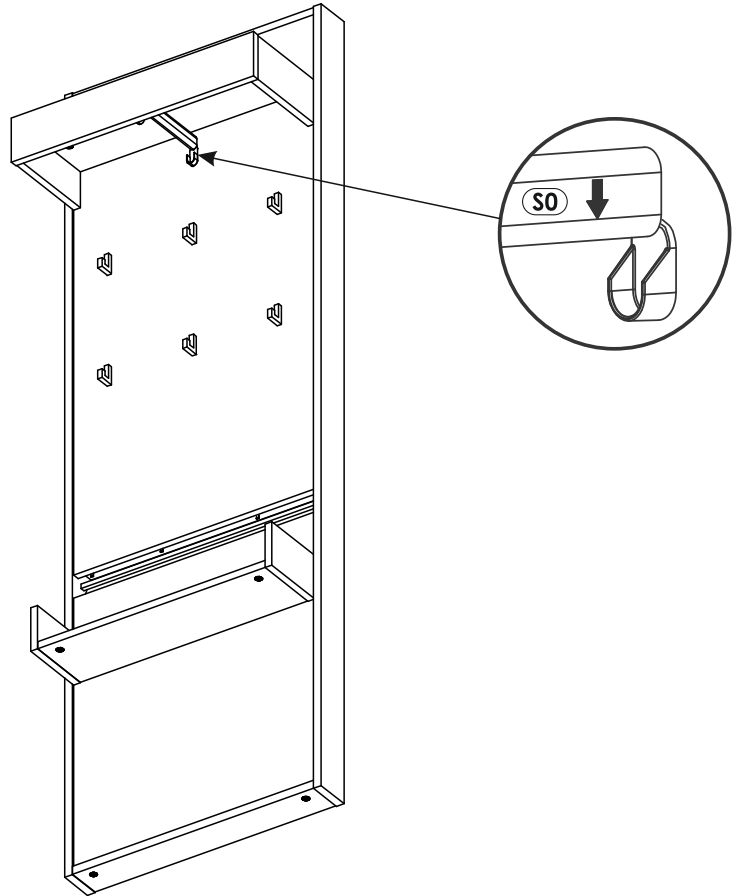
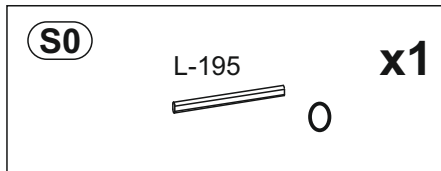


25 ▶

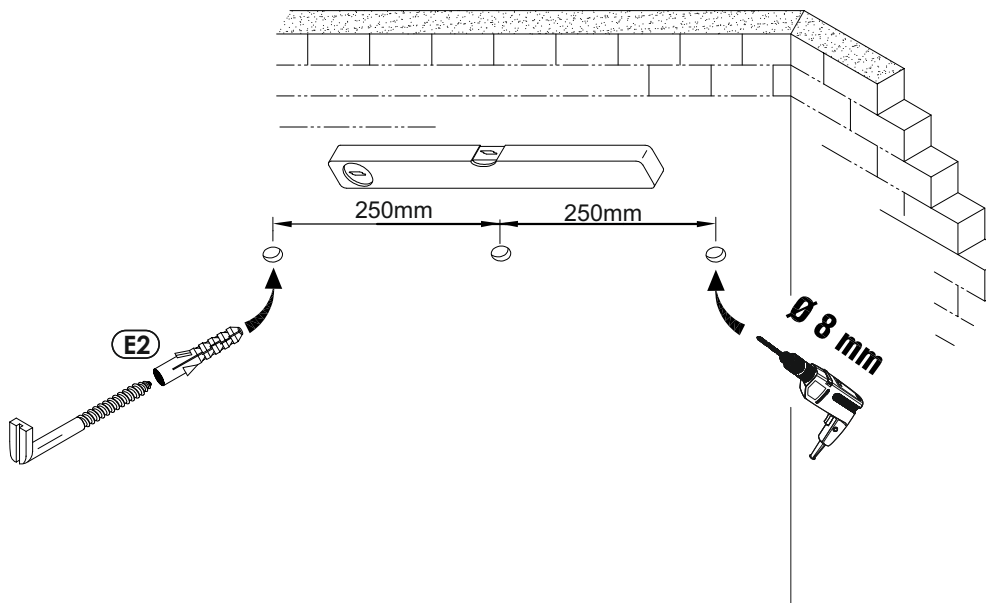
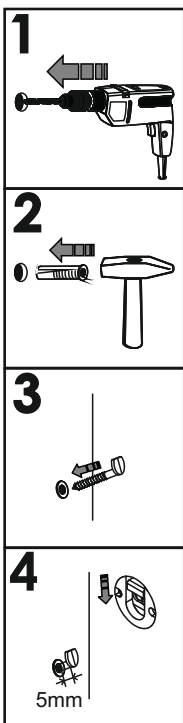
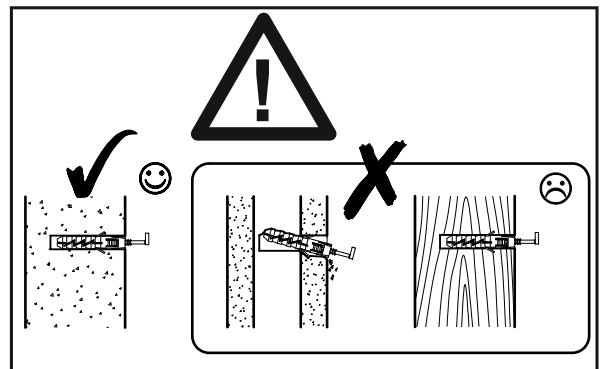
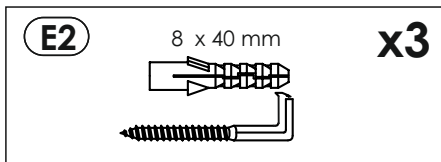
H6	4 x 22 mm	x12	P16		x6
-----------	-----------	------------	------------	---	-----------



26 ▶



27 ▶



28 ▶

