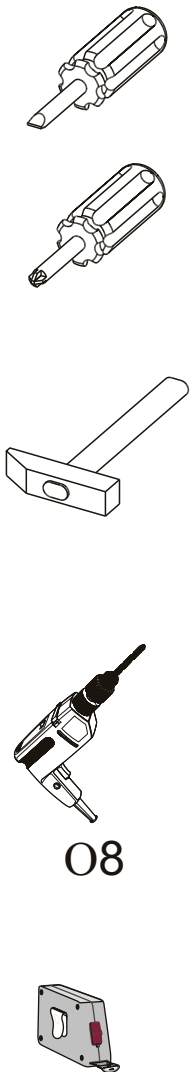
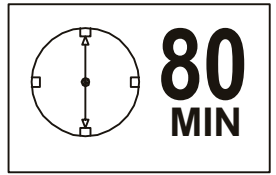
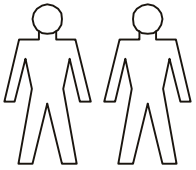
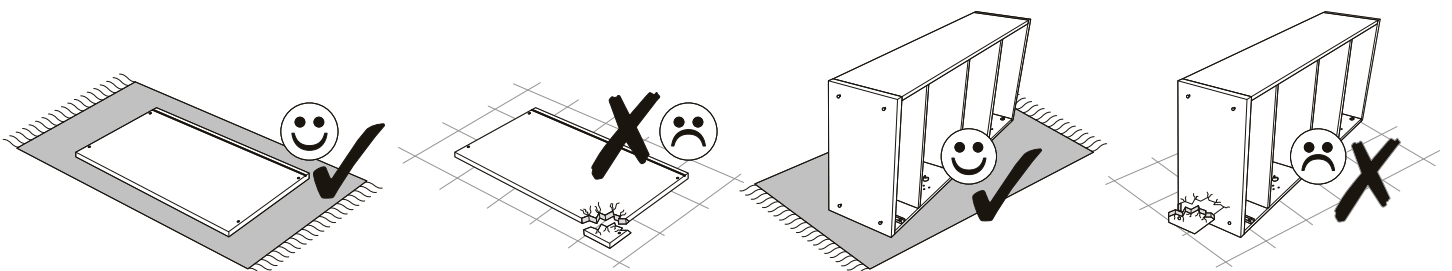
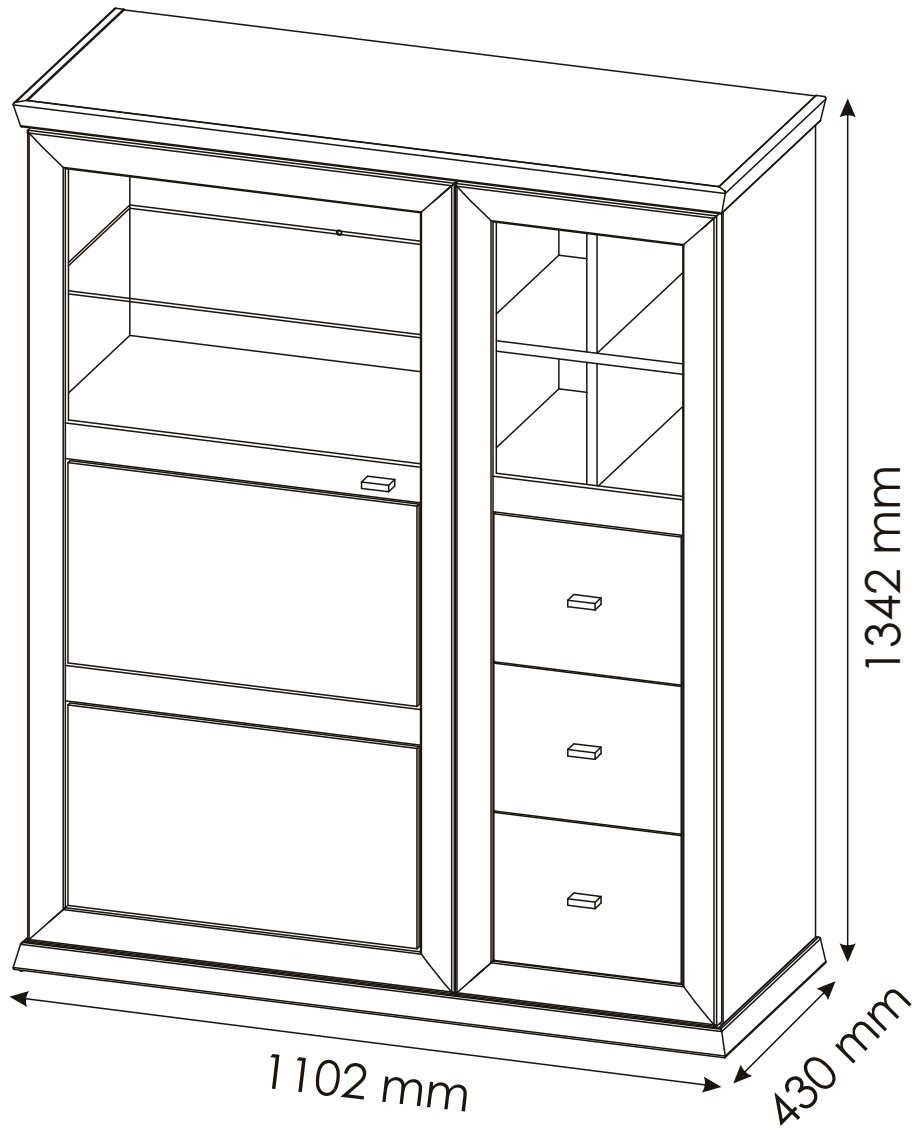


Wohnzimmer CAMRON / LAUREY

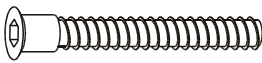

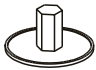

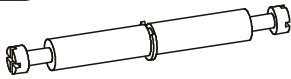




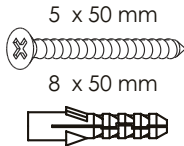

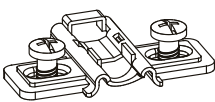
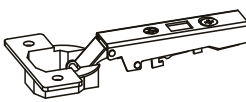
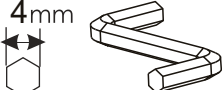

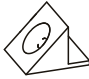
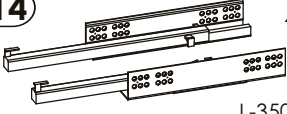
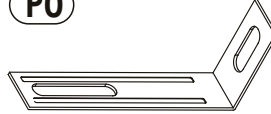
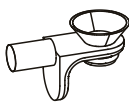
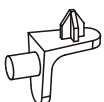



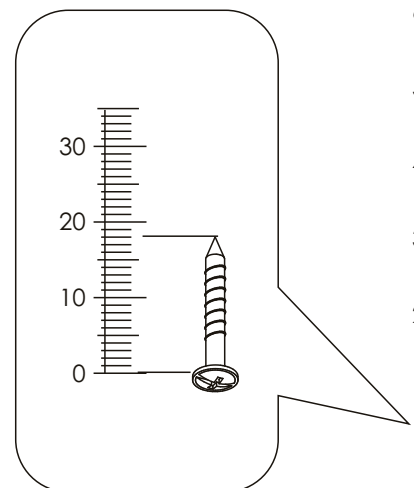
08



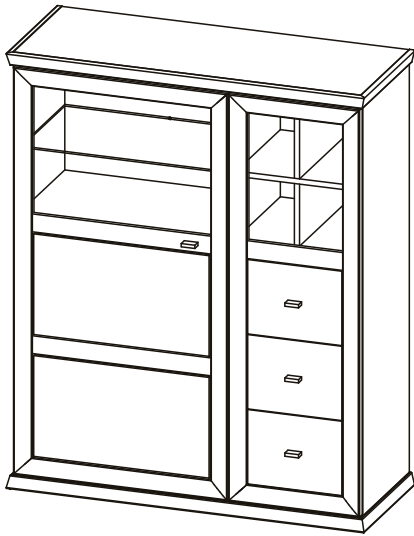
Wohnzimmer CAMRON / LAUREY

MM

B1 f 7 x 50 mm x18 	B3 d8 x1 	C0 x38 
C2 x44 	C8 x2 	D0 3 x 15 mm x44 
D10 4 x 16 mm x6 	D21 5 x 13 mm x2 	D31 6,3 x 13 mm x24 
E0 5 x 50 mm x2 8 x 50 mm 	H2 4 x 22 mm x8 	J3 x3 
J10 x3 	K x1 4mm 	L6 x4 
M1 x44 	N14 x3  L-350mm	P0 x2 
Q1 x4 	Q3 x4 	U2 x6 

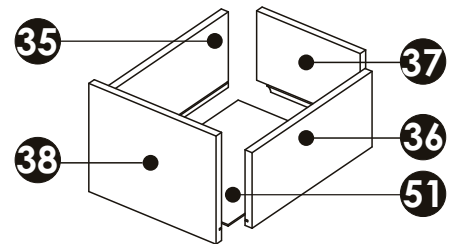
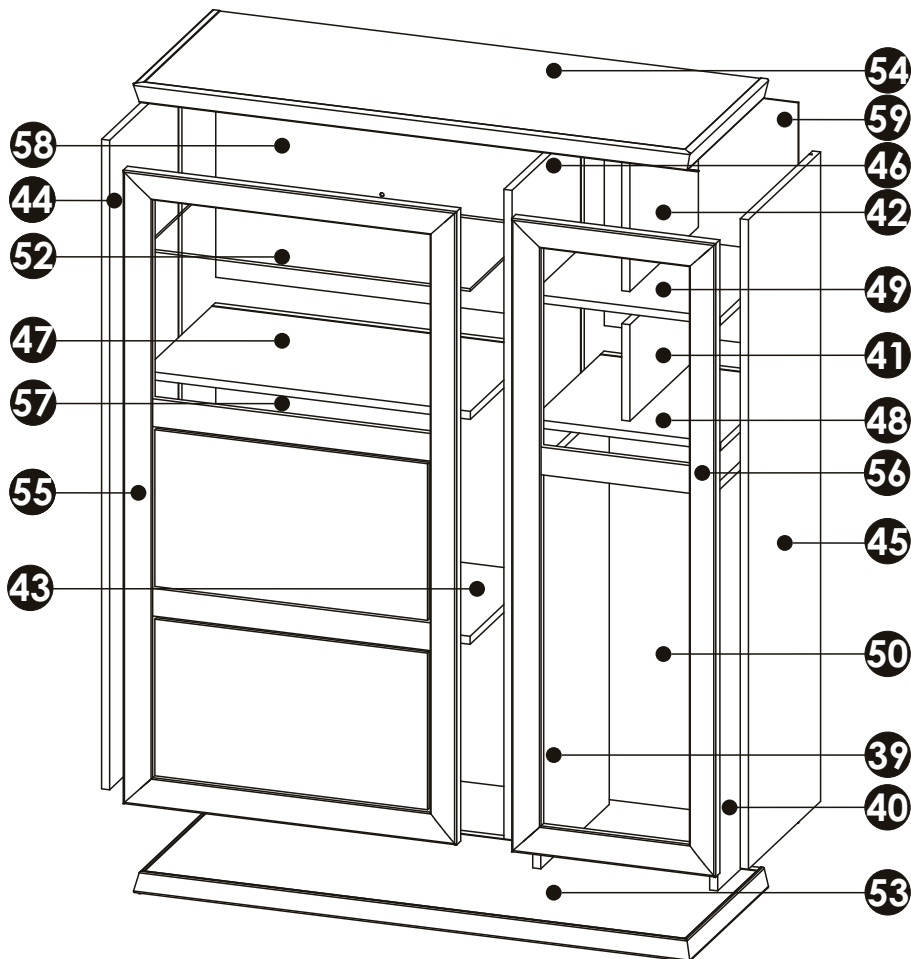


Wohnzimmer CAMRON / LAUREY

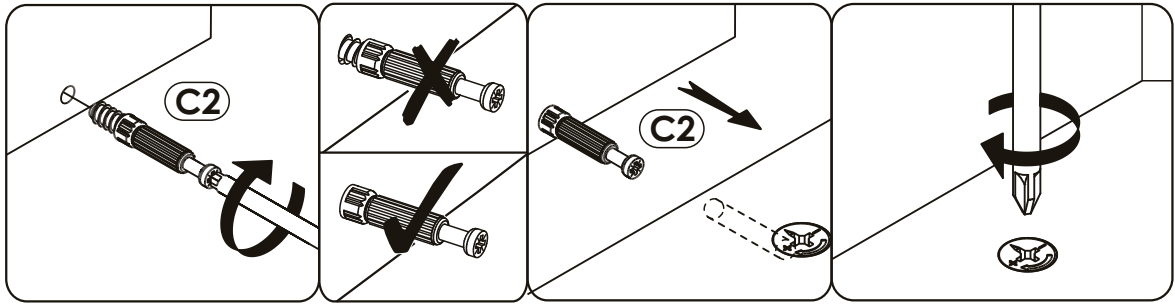



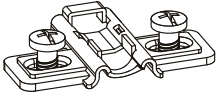


35	350	160	16	x3	7/10
36	350	160	16	x3	7/10
37	236	157	16	x3	7/10
38	290	229	16	x3	7/10
39	791	373	16	x1	7/10
40	791	373	16	x1	7/10
41	191	371	16	x1	7/10
42	272	371	16	x1	7/10
43	647	373	16	x1	7/10
44	1286	393	16	x1	8/10
45	1286	393	16	x1	8/10
46	1286	393	16	x1	8/10
47	647	393	16	x1	8/10
48	374	393	16	x1	8/10

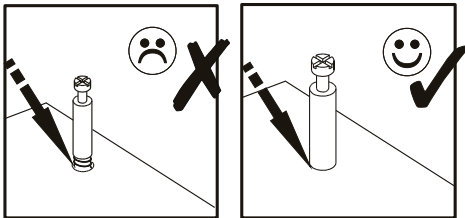
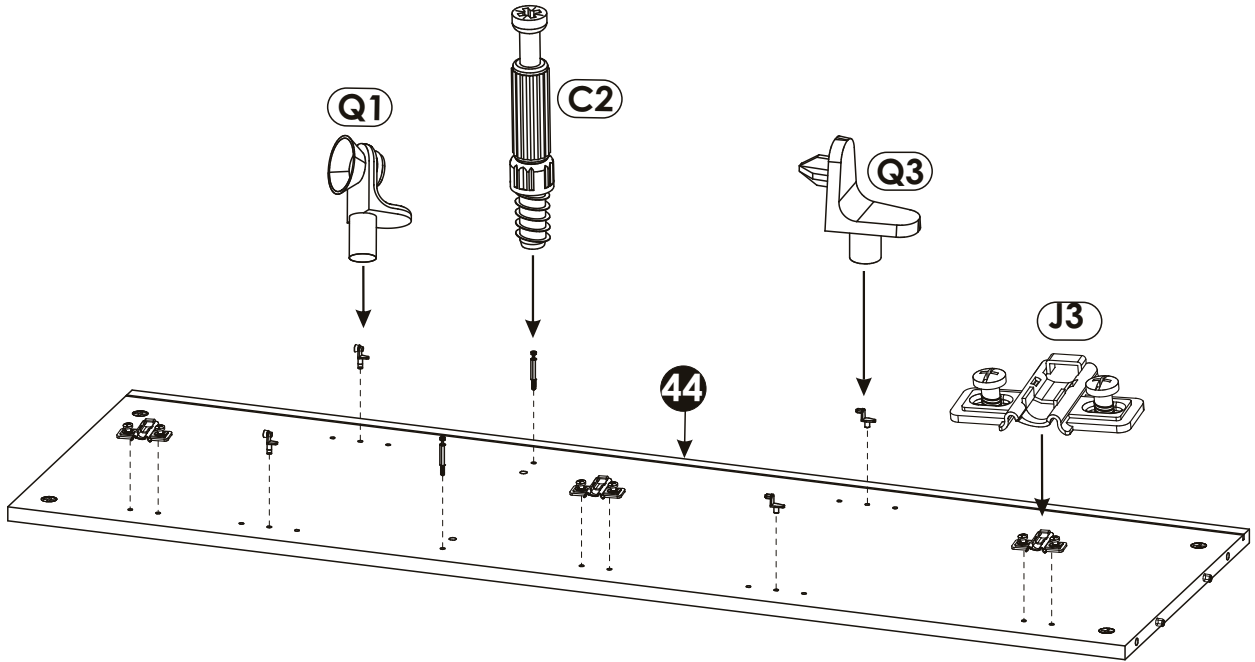
49	374	373	16	x1	8/10
50	800	383	2,8	x1	8/10
51	344	246	2,8	x3	8/10
52	646	363	5	x1	8/10
53	1102	430	40	x1	9/10
54	1102	430	40	x1	9/10
55	1254	660	25	x1	10/10
56	1254	404	25	x1	10/10
57	656	800	2,8	x1	10/10
58	656	488	2,8	x1	10/10
59	384	488	2,8	x1	10/10
					7/10



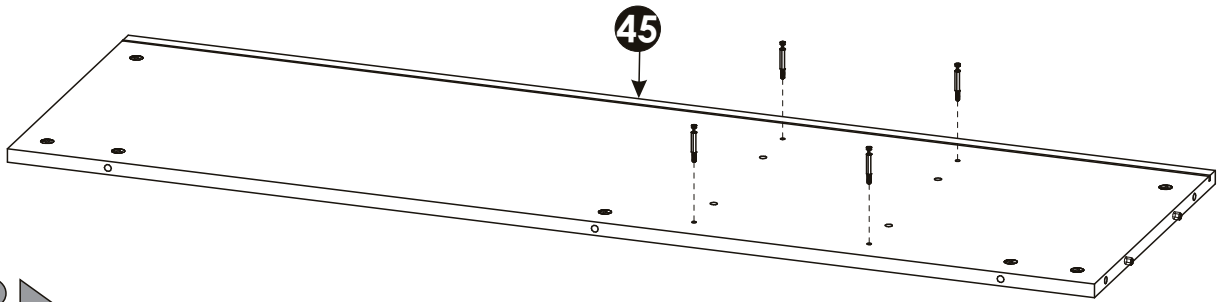
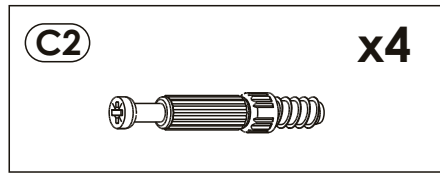
x3



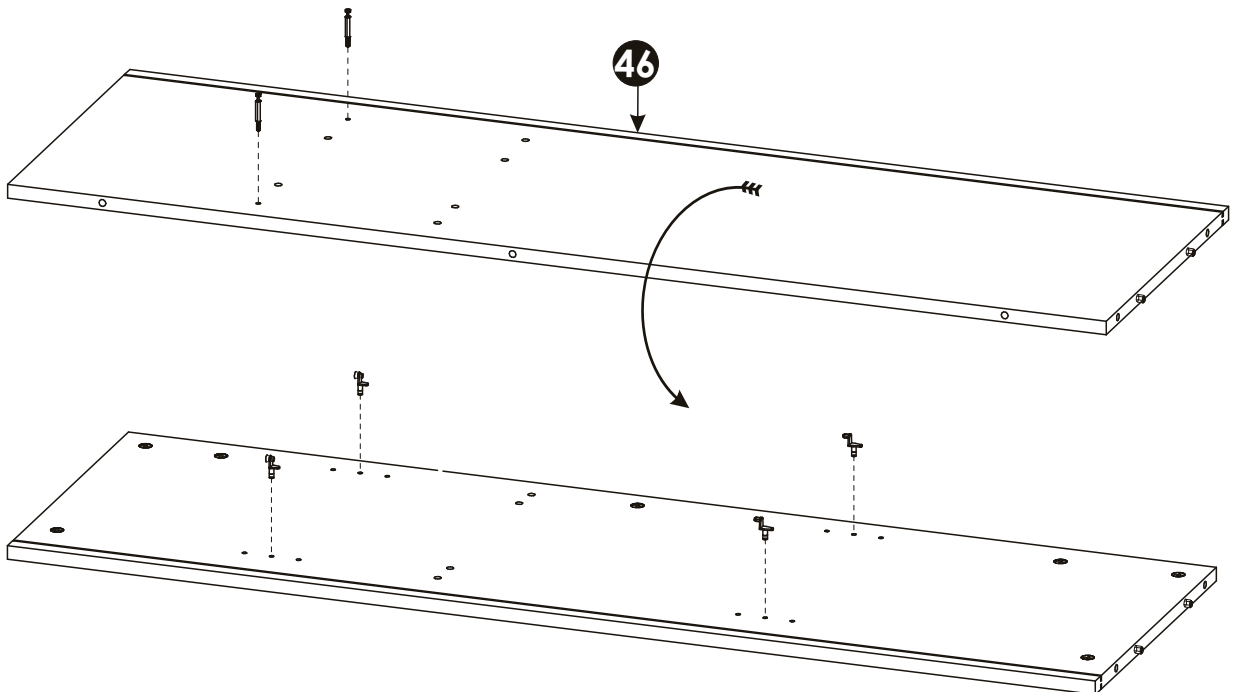
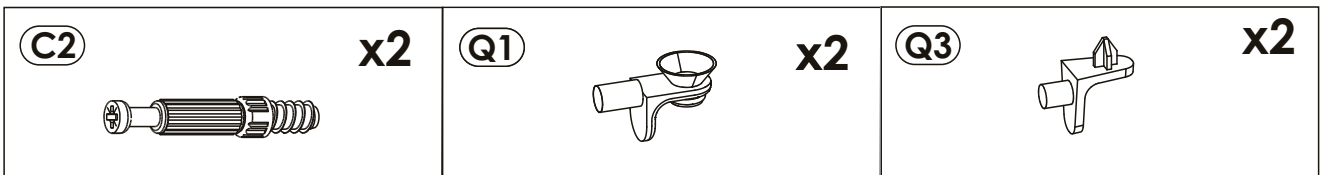
<p>C2 x2</p> 	<p>J3 x3</p> 	<p>Q1 x2</p> 
<p>Q3 x2</p> 		



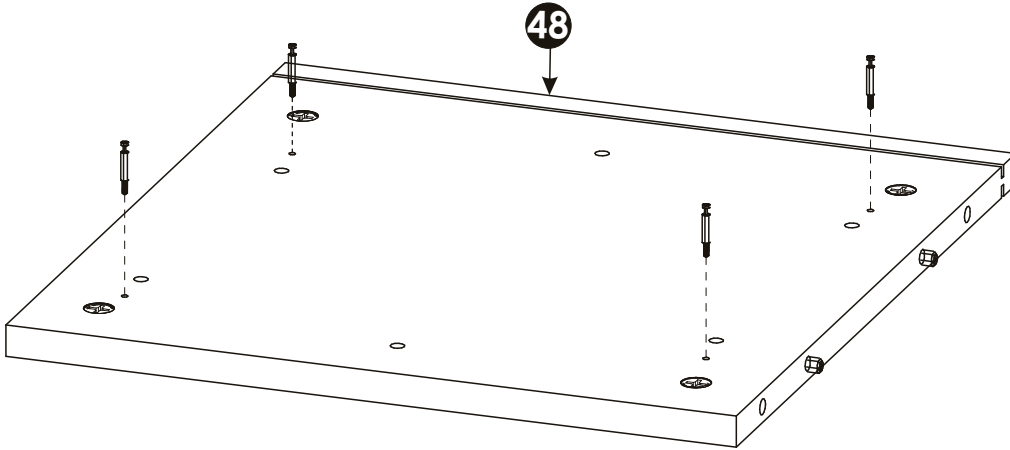
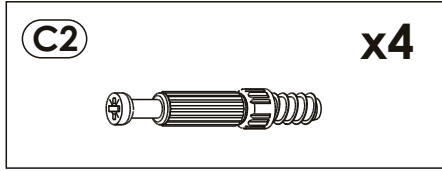
2 ▶



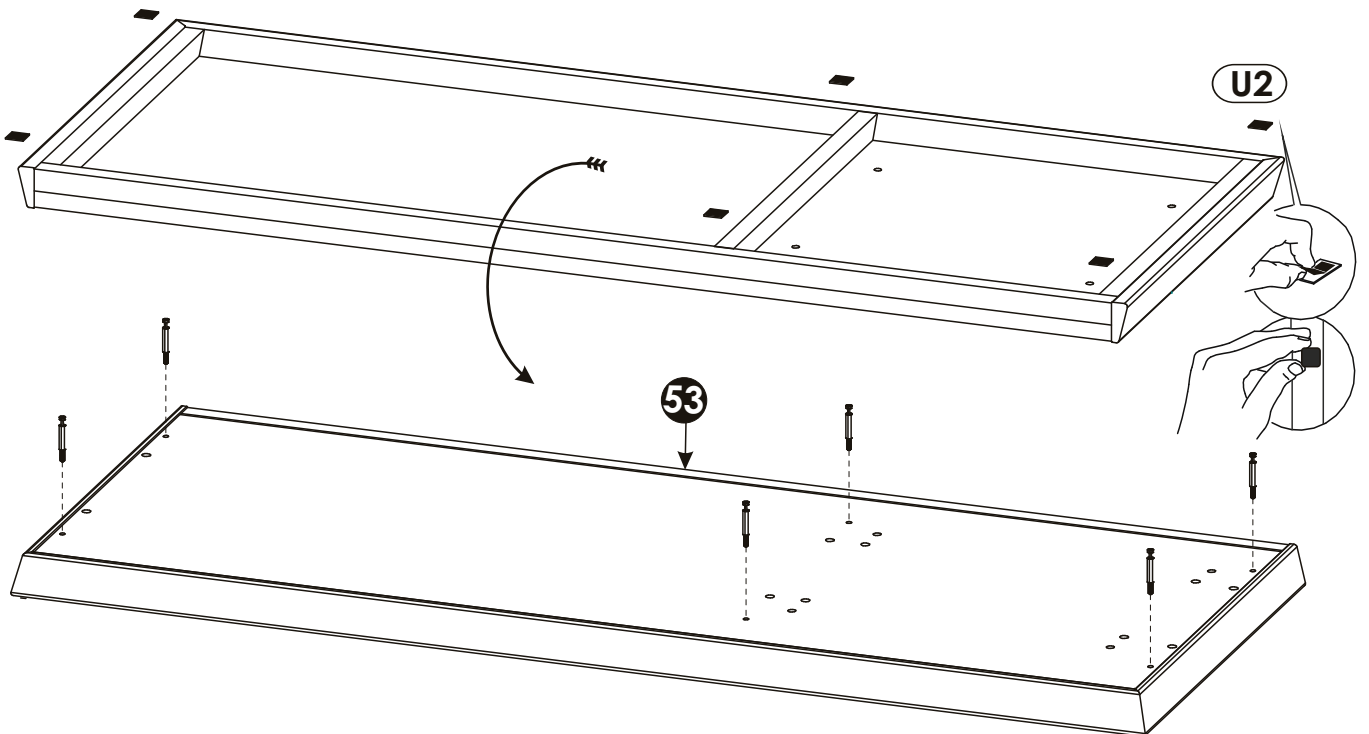
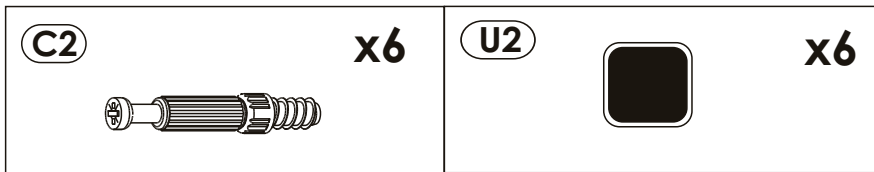
3 ▶



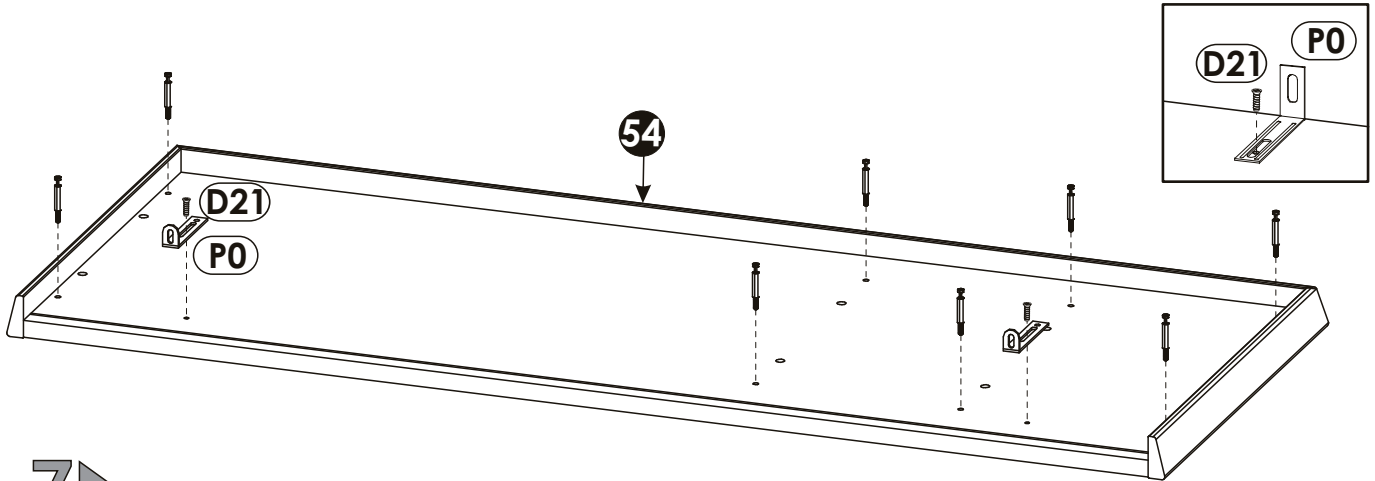
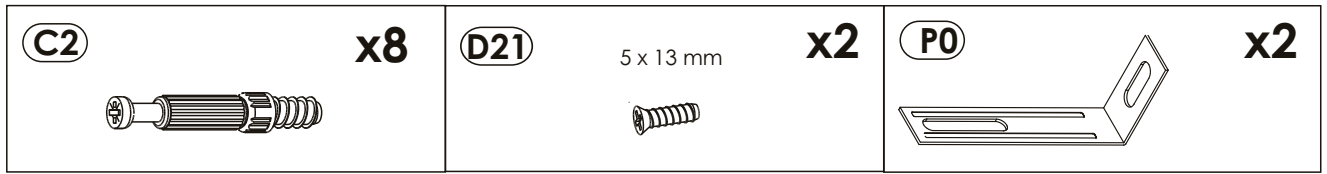
4 ▶



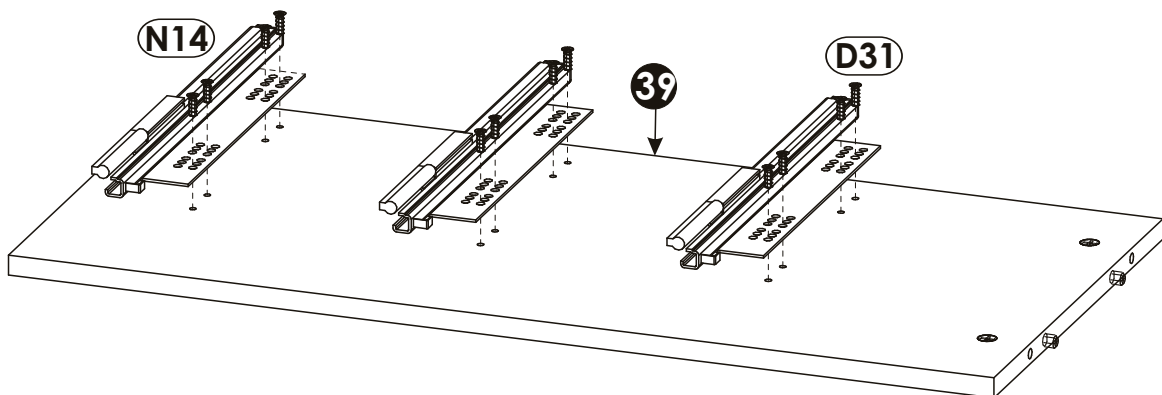
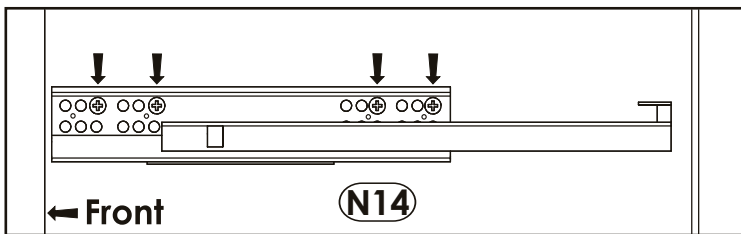
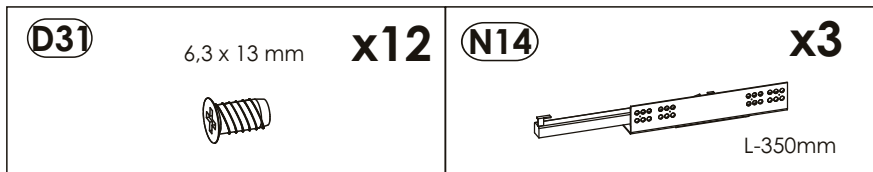
5 ▶




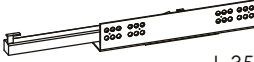
6 ▶

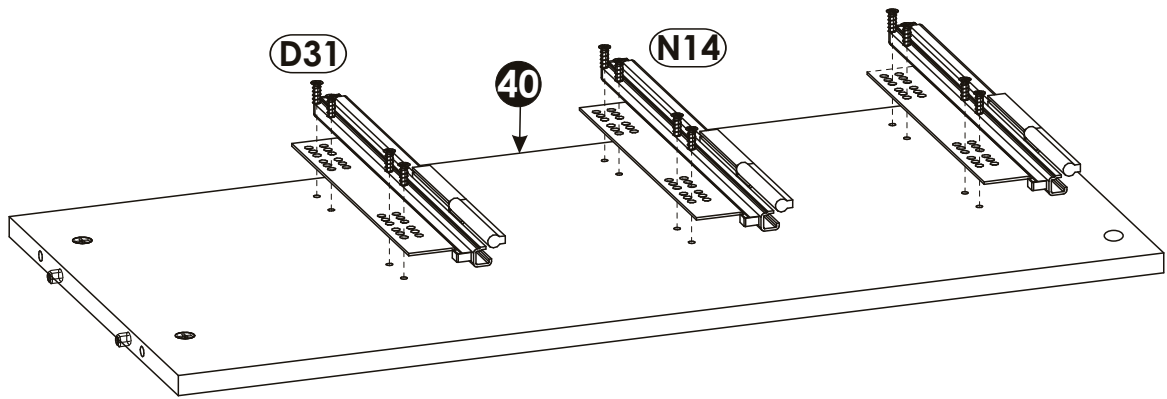
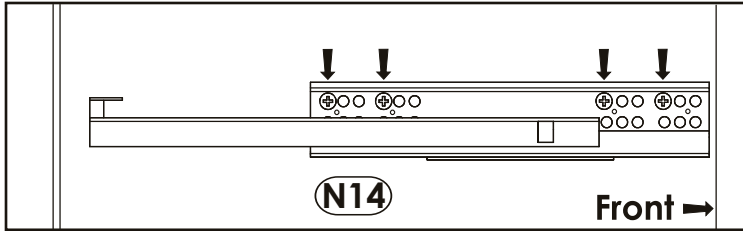


7 ▶




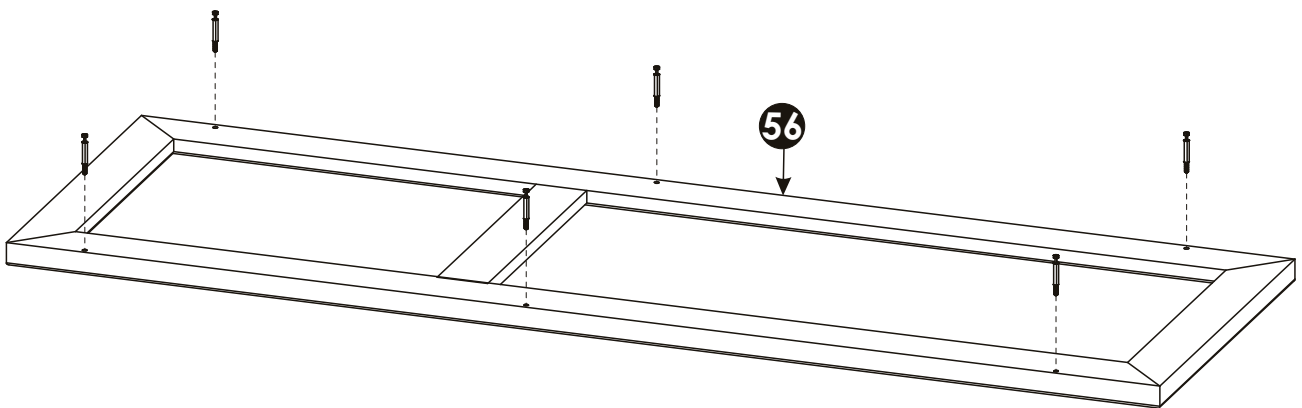
8 ▶

D31 6.3 x 13 mm 	x12	N14  L-350mm	x3
--	------------	--	-----------



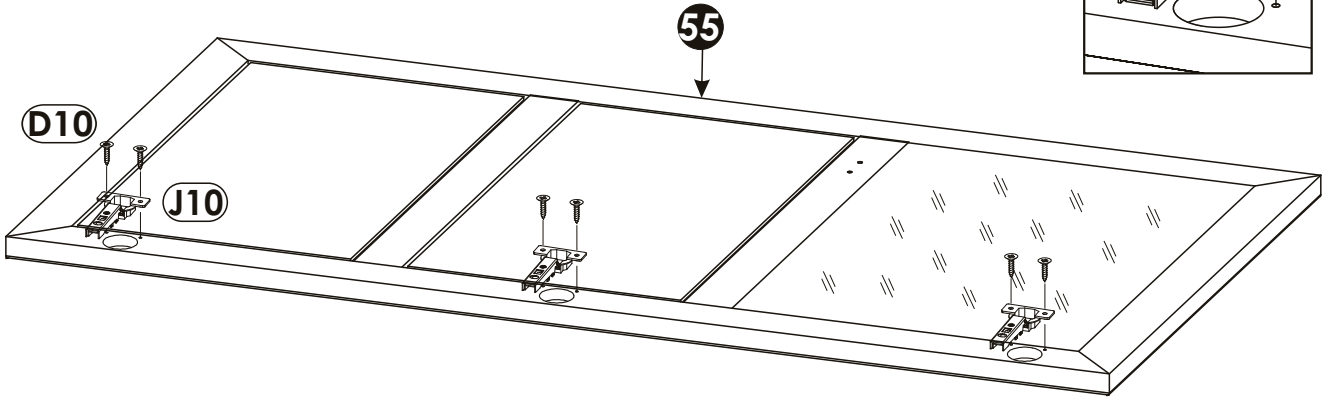
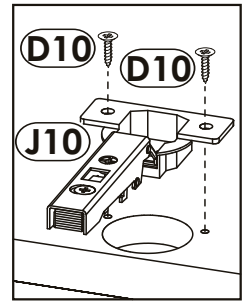
9 ▶

C2 	x6
--	-----------



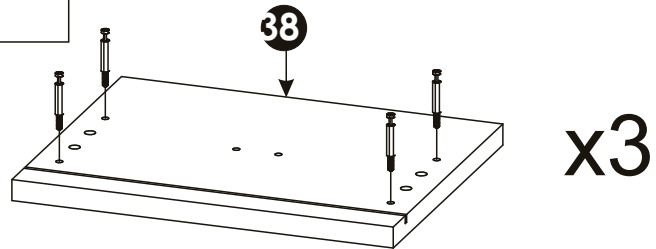
10 ▶

D10	4 x 16 mm	x6	J10	x3
------------	-----------	-----------	------------	-----------



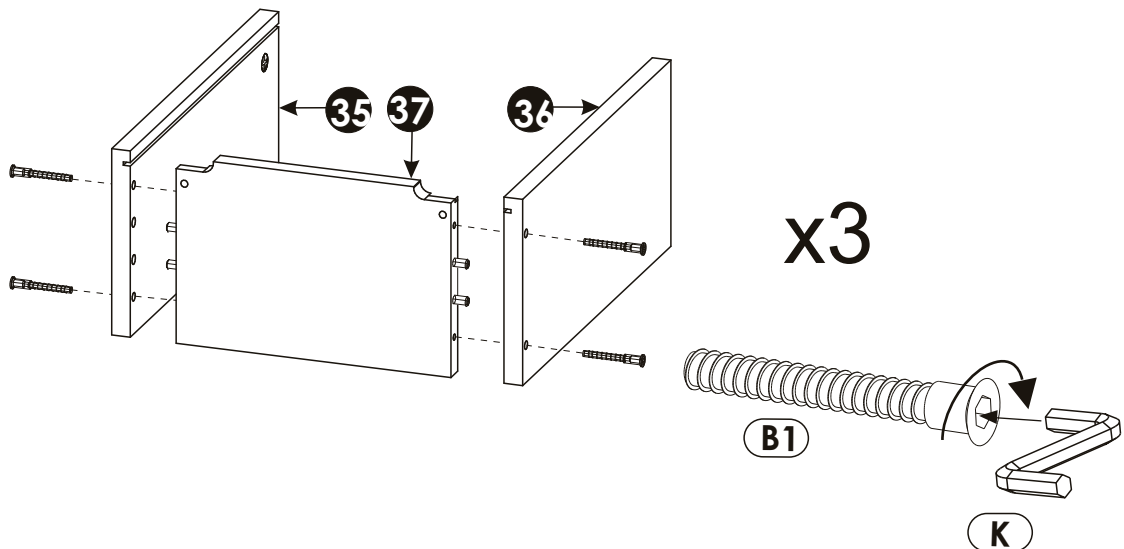
11 ▶

C2	x12
-----------	------------

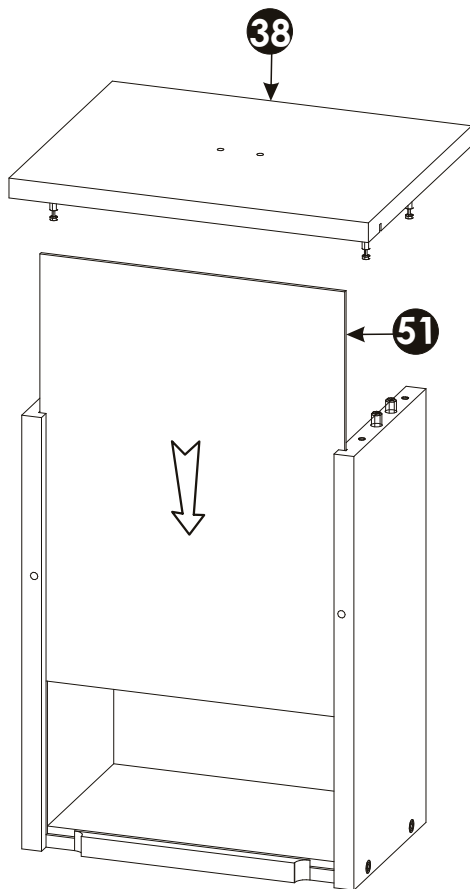


12 ▶

B1	f 7 x 50 mm	x12	K	x1
-----------	-------------	------------	----------	-----------





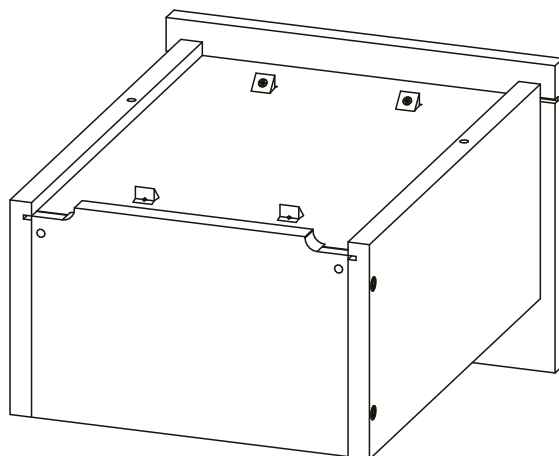
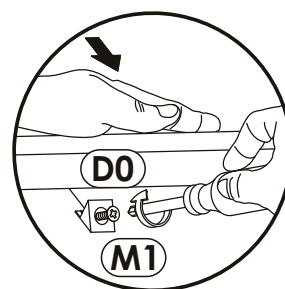
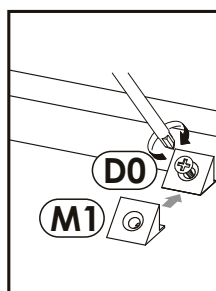
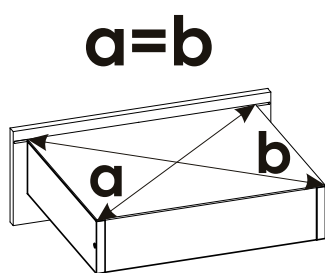
13 ▶



x3

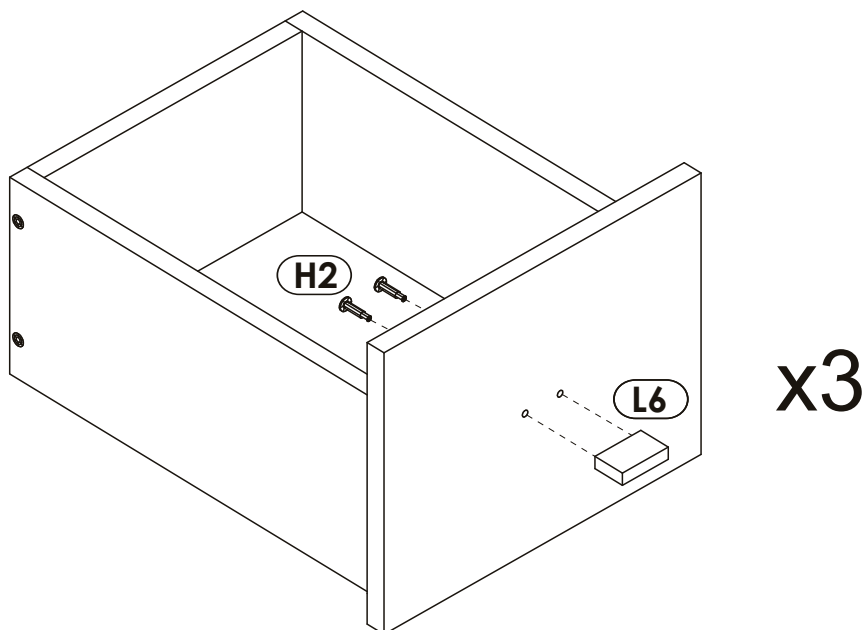
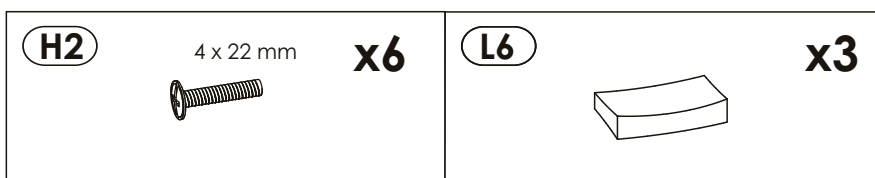
14 ▶

(D0) 3 x 15 mm 	x12	(M1) 	x12
---	------------	--	------------

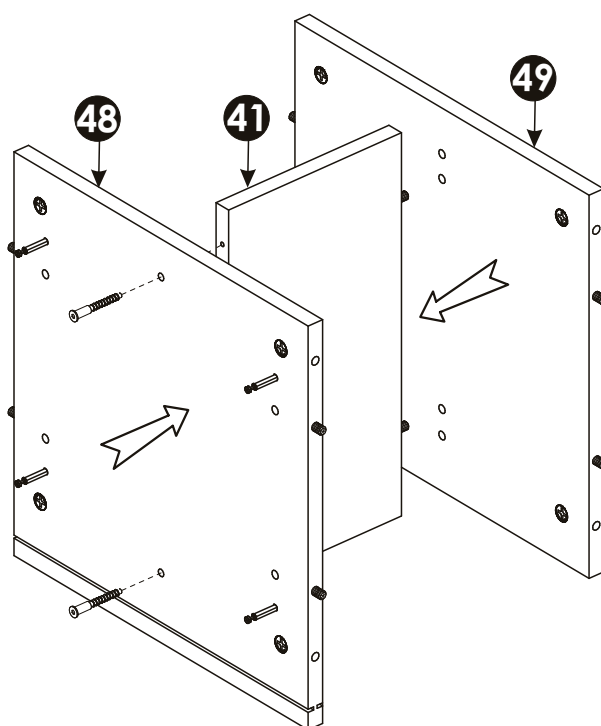
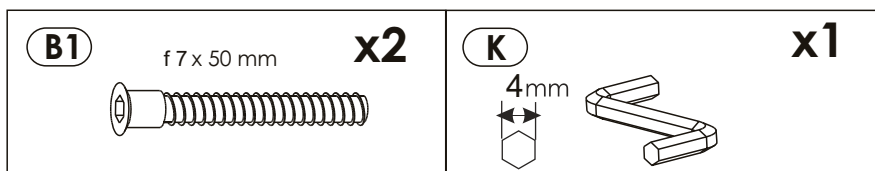


x3

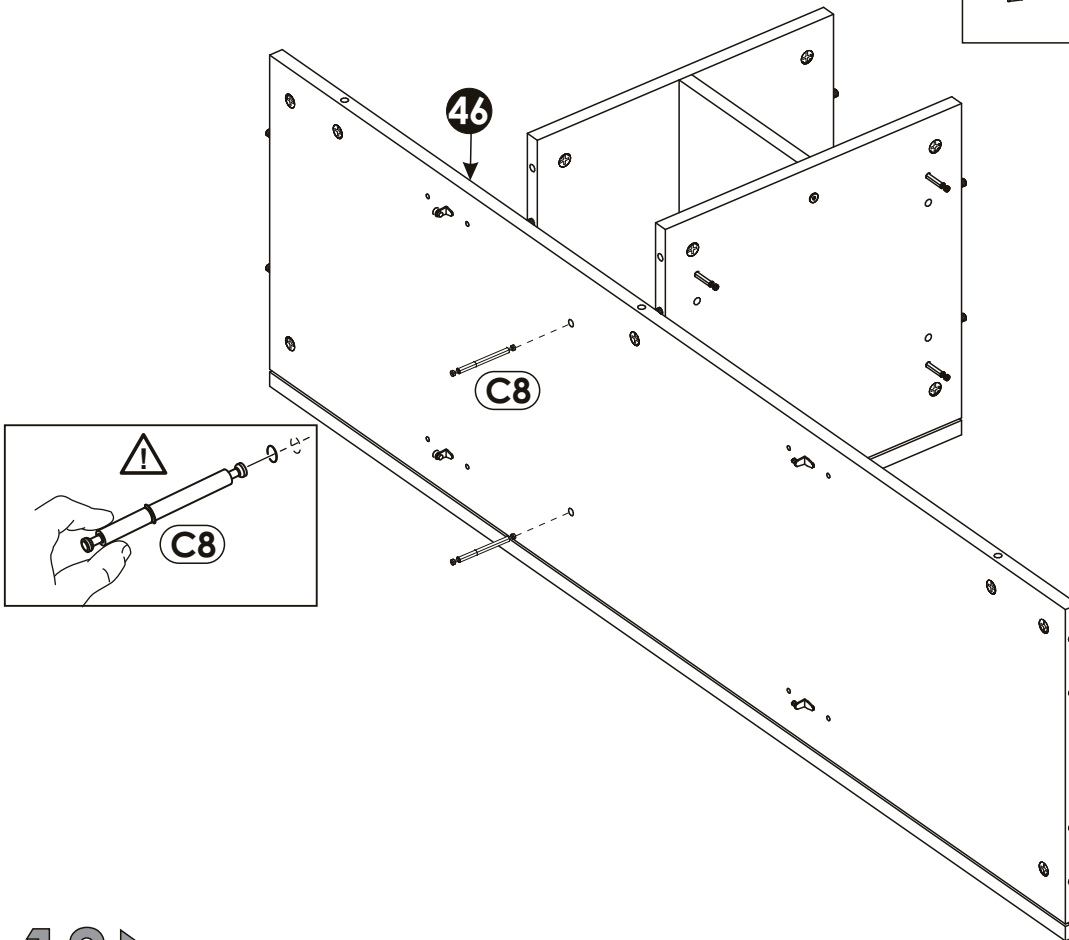
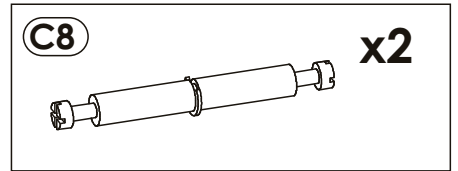
15 ▶



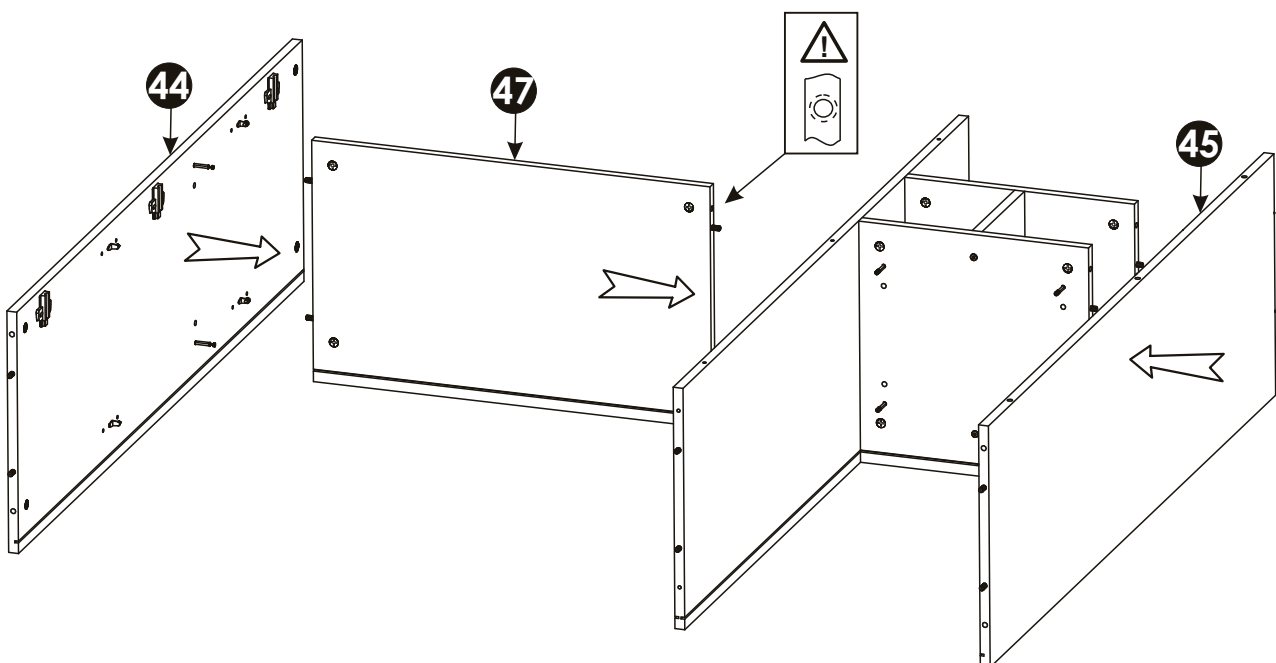
16 ▶



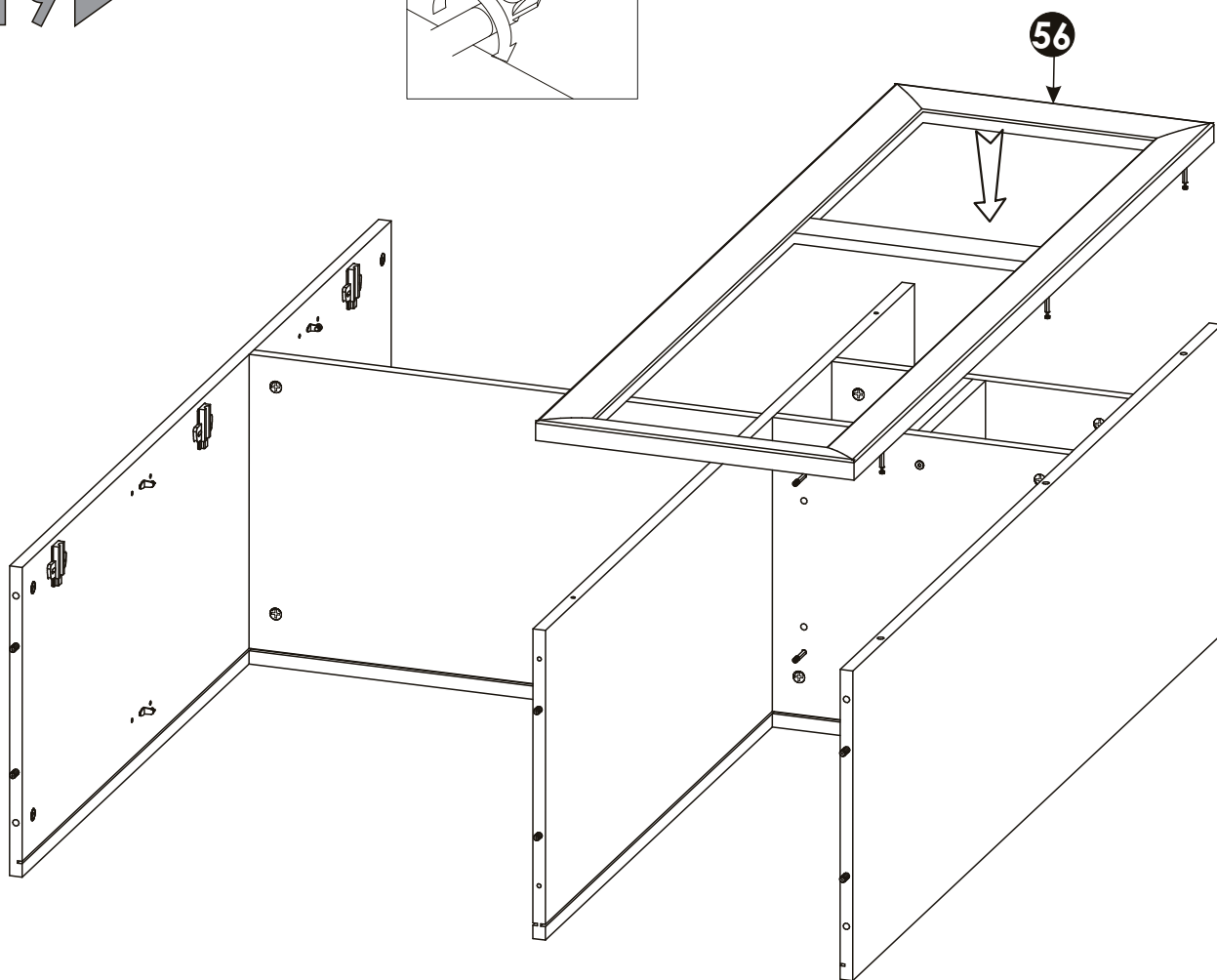
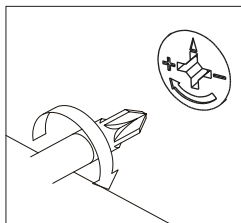
17 ▶



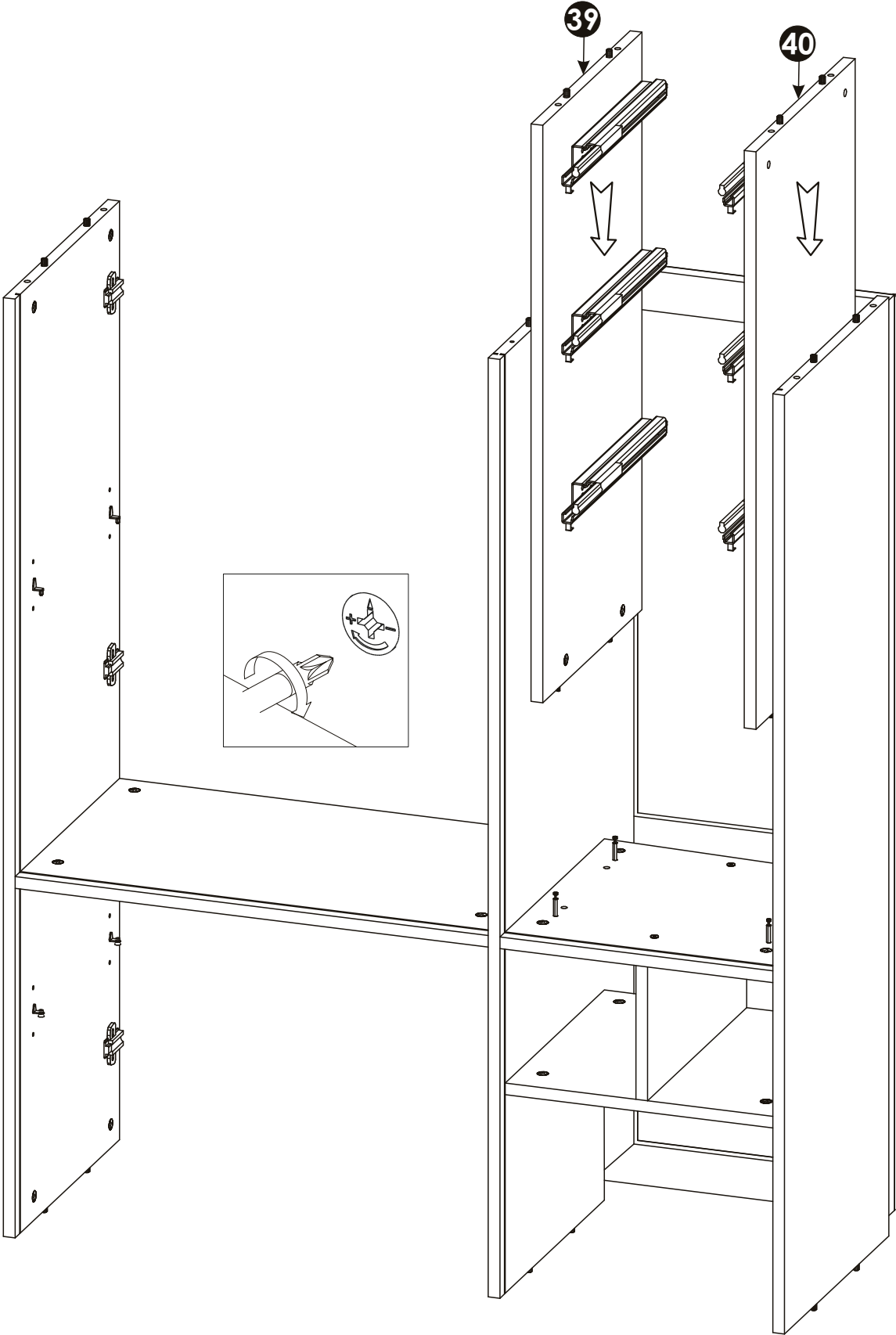
18 ▶



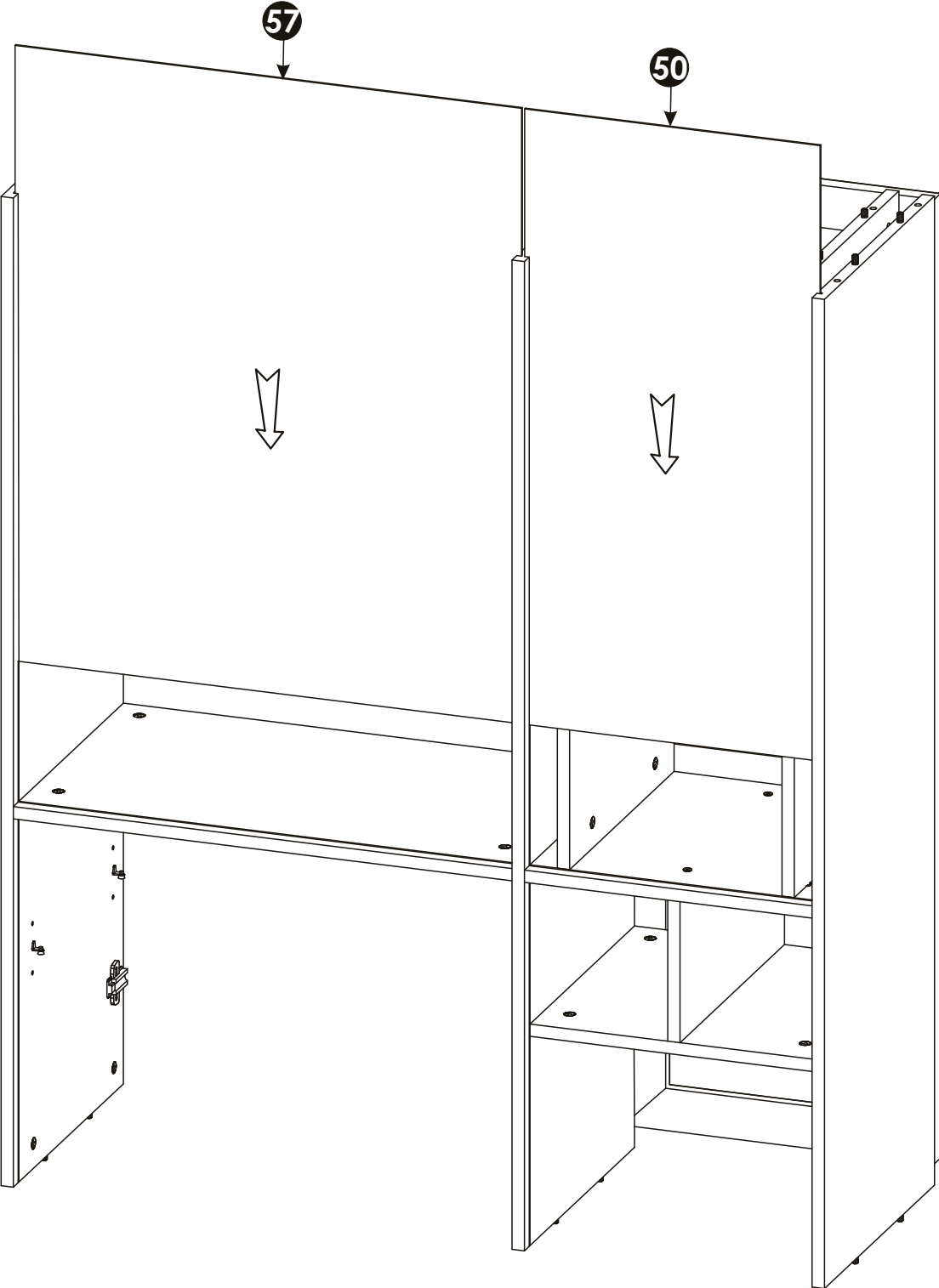
19 ▶



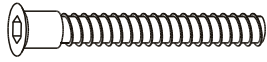
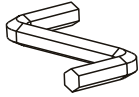
20 ▶

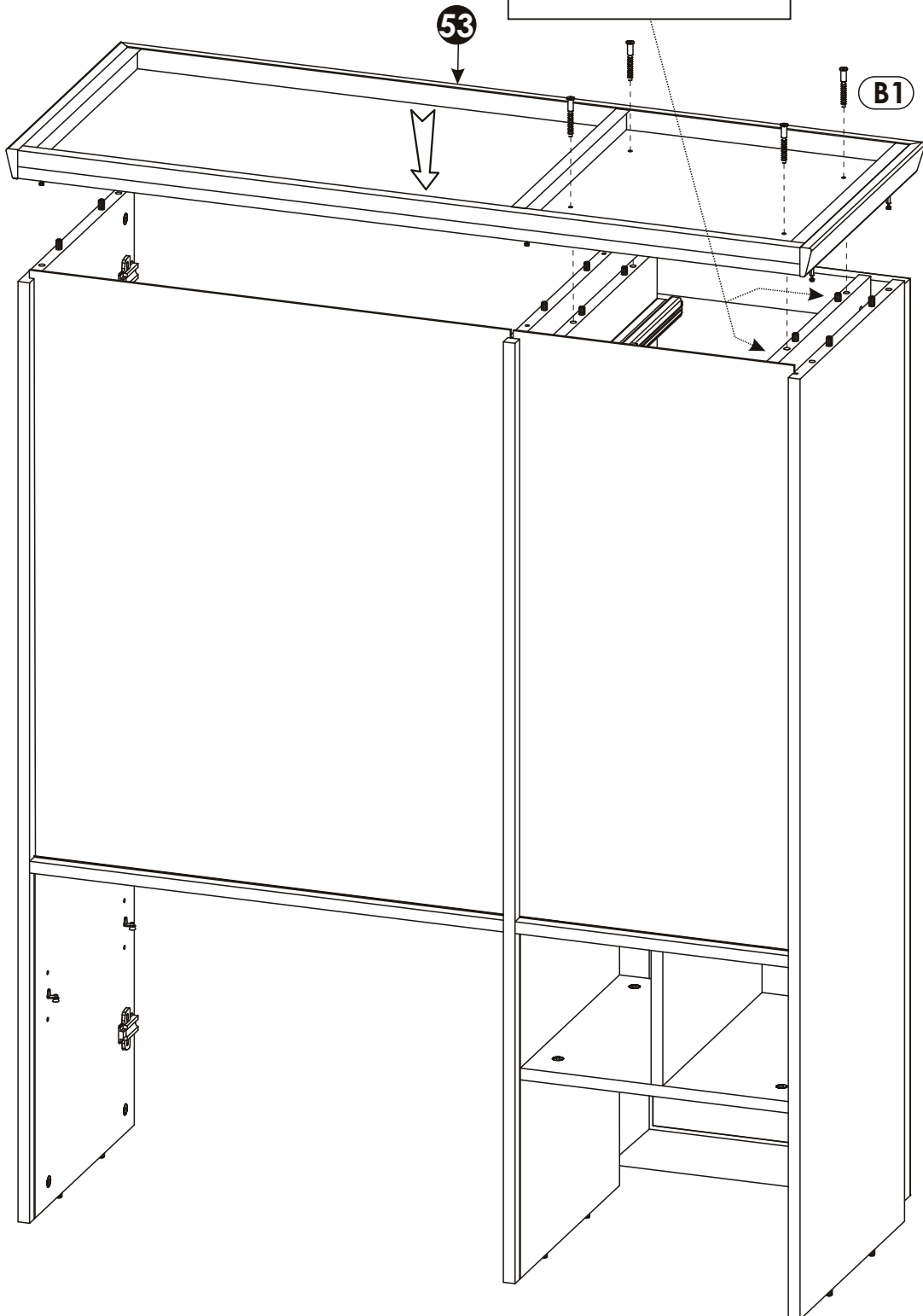
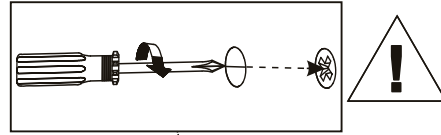


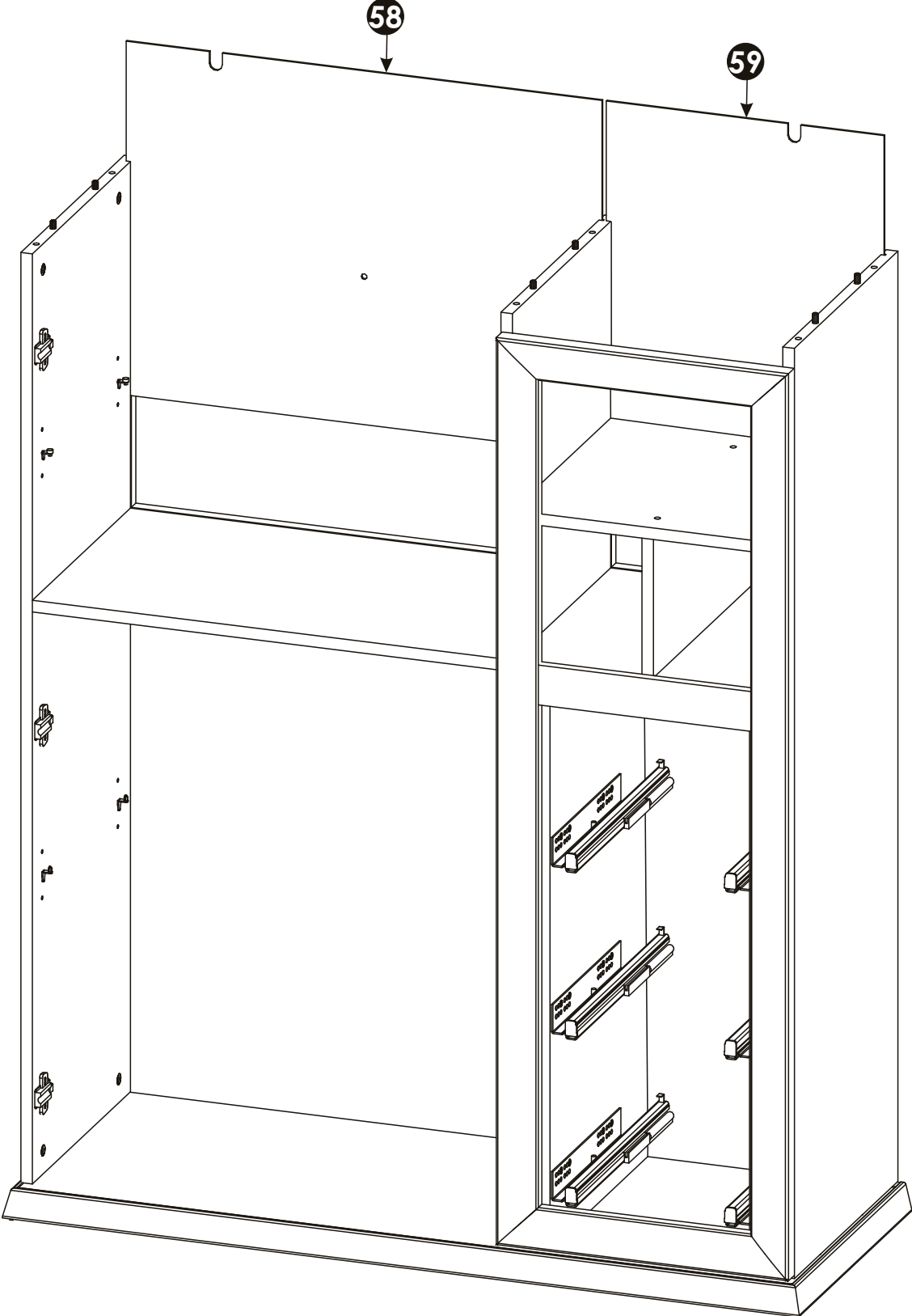
21 ▶



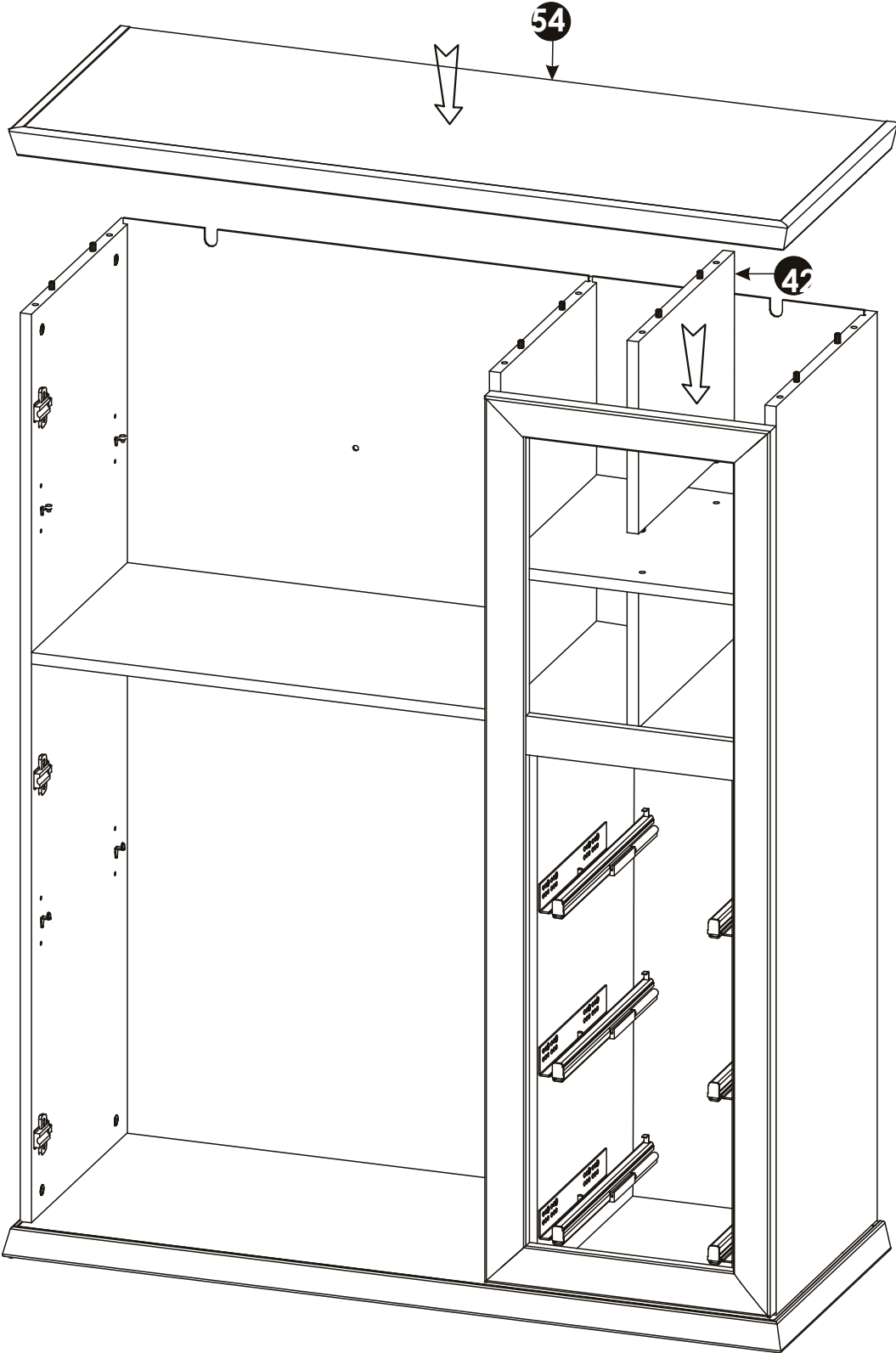
22 ▶

B1	f 7 x 50 mm	x4	K	x1
				
			4mm	





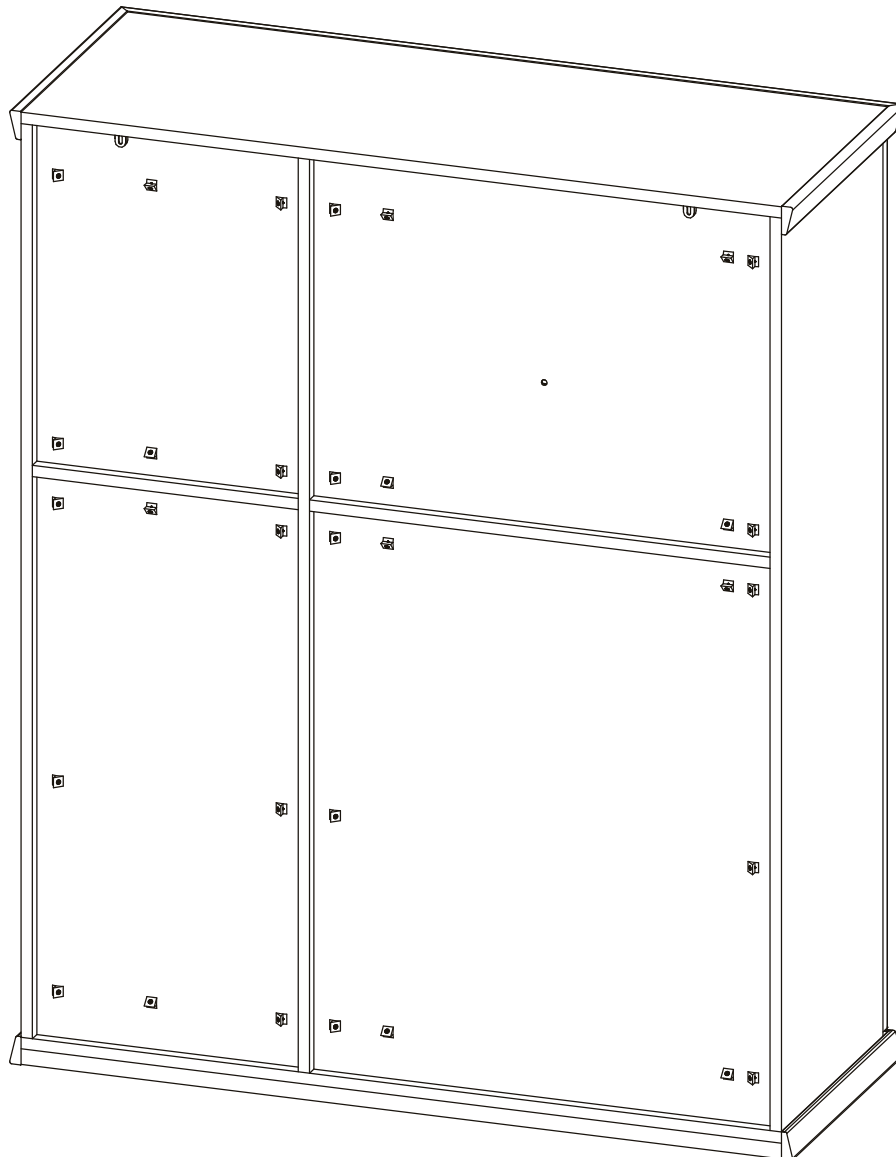
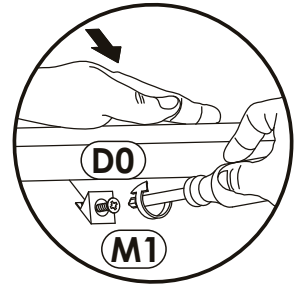
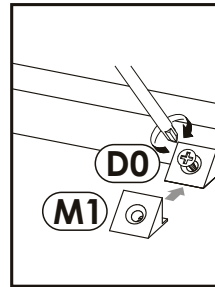
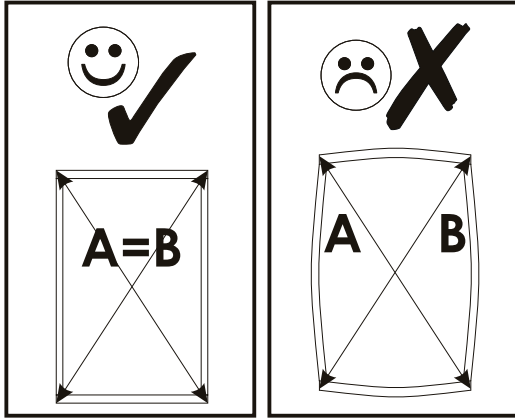


24 ▶



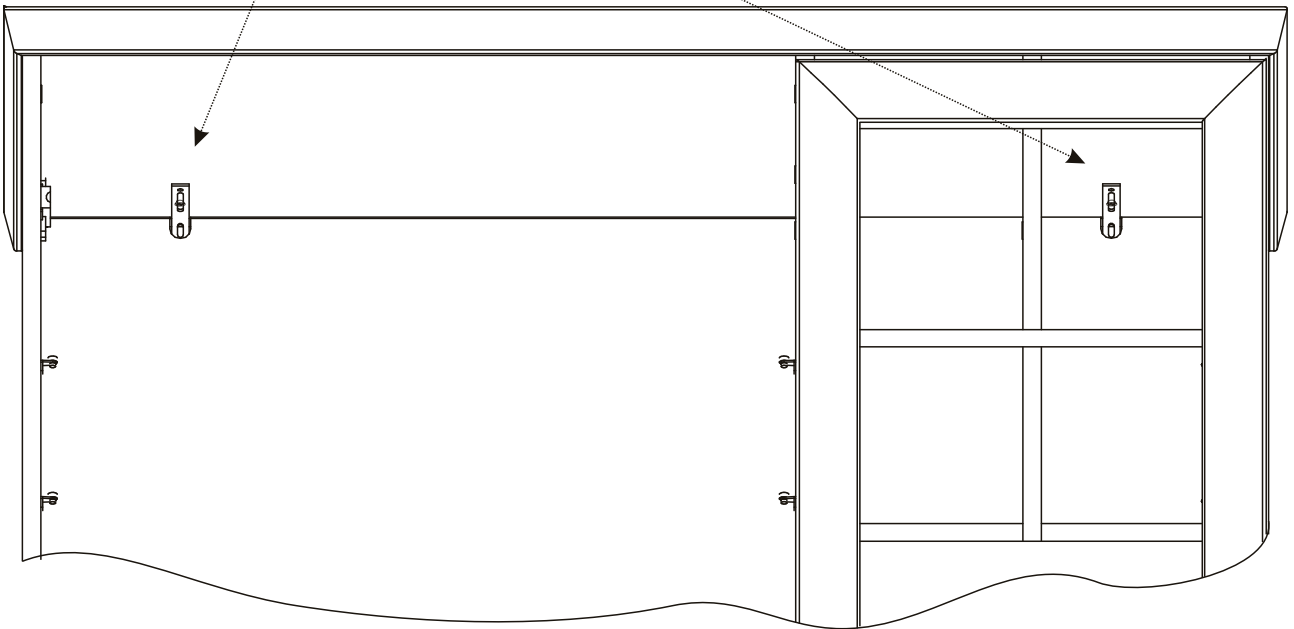
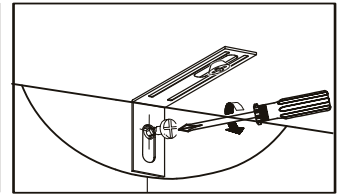
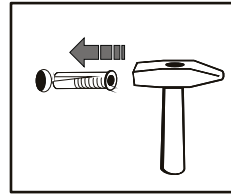
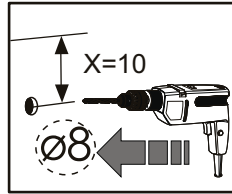
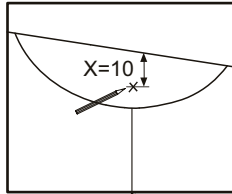
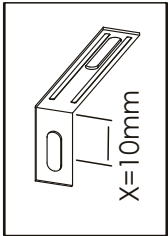
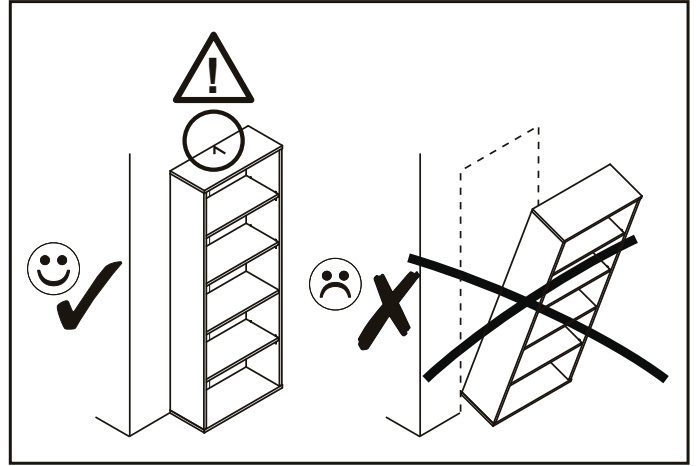
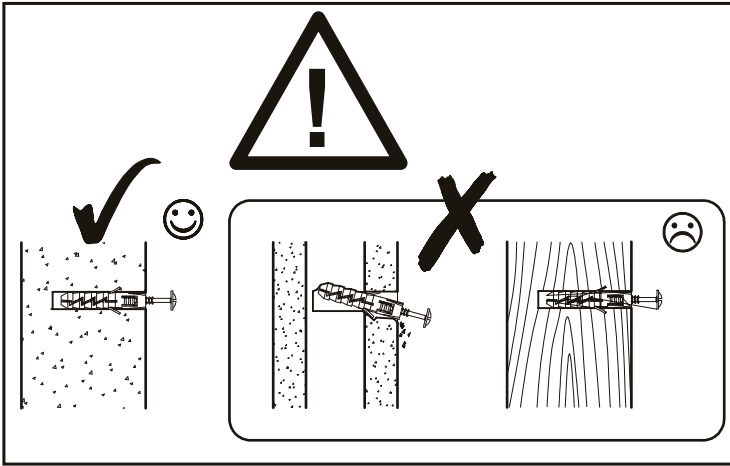
25 ▶

(D0) 3 x 15 mm 	(M1) 	x32	x32
---	--	------------	------------





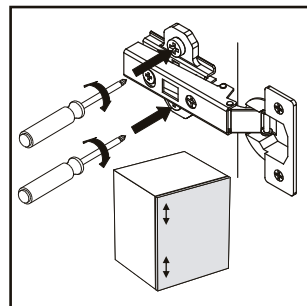
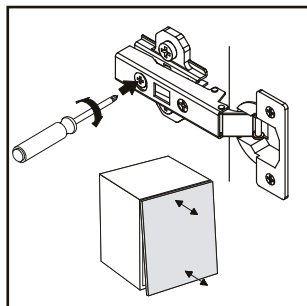
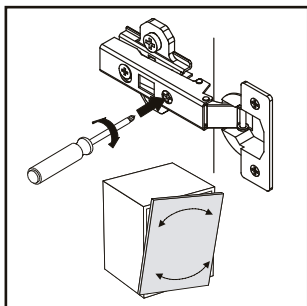
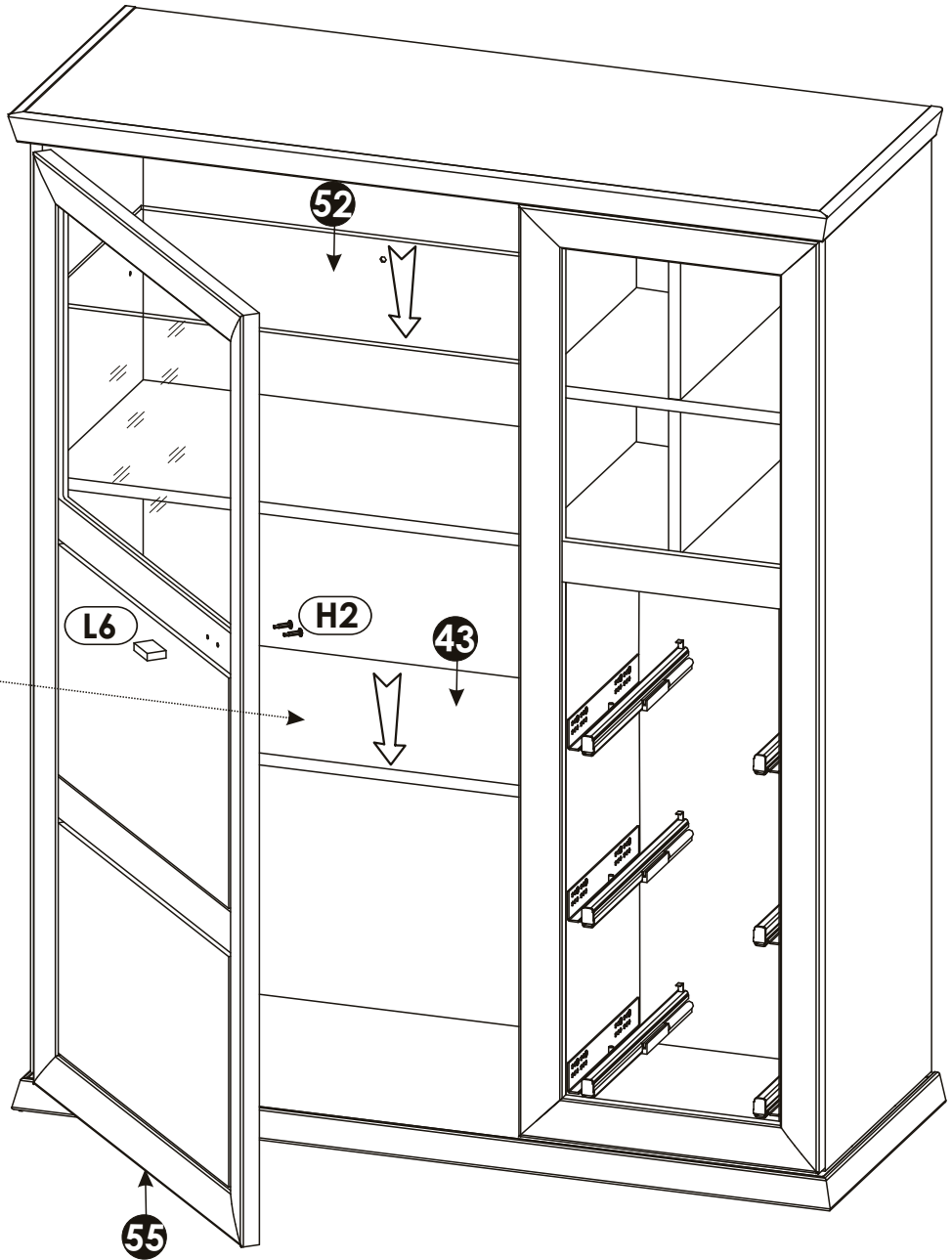
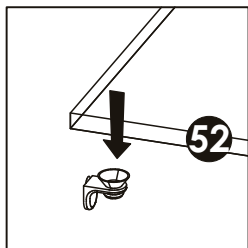
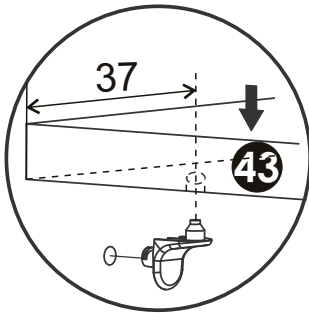
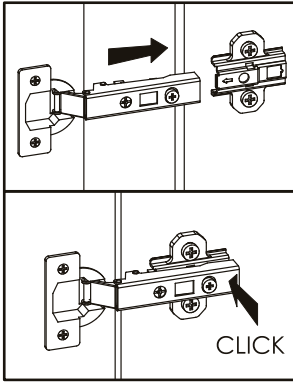
26 ▶

E0 5 x 50 mm **x2**
8 x 50 mm

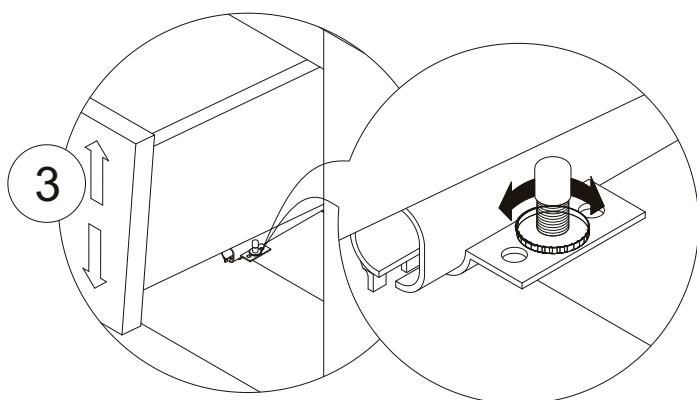
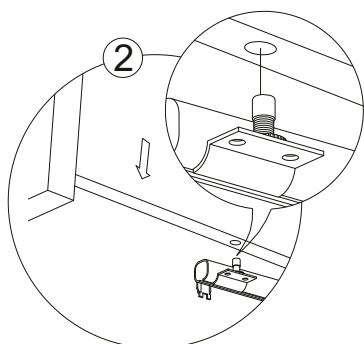
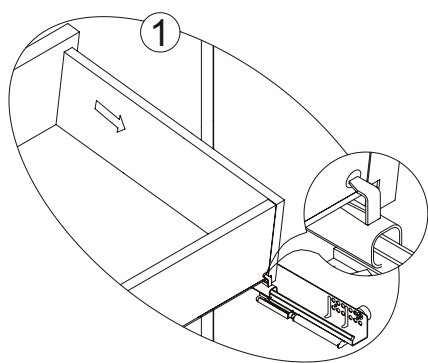
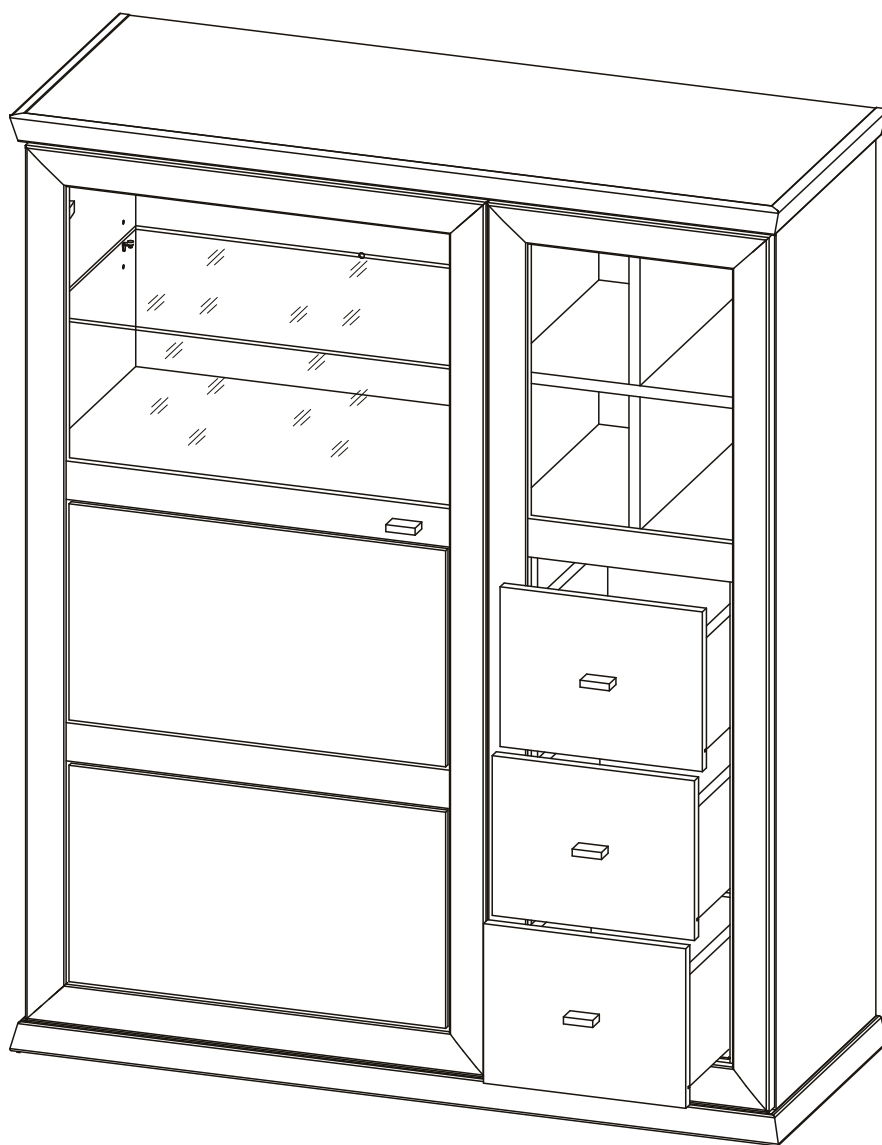
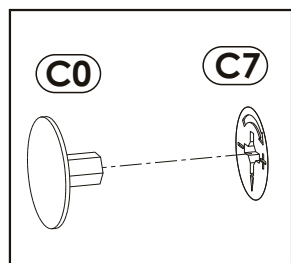
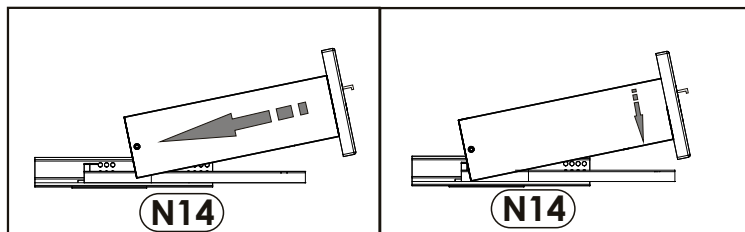
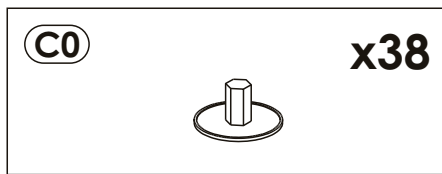


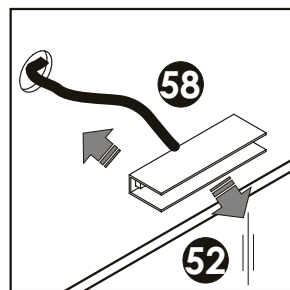
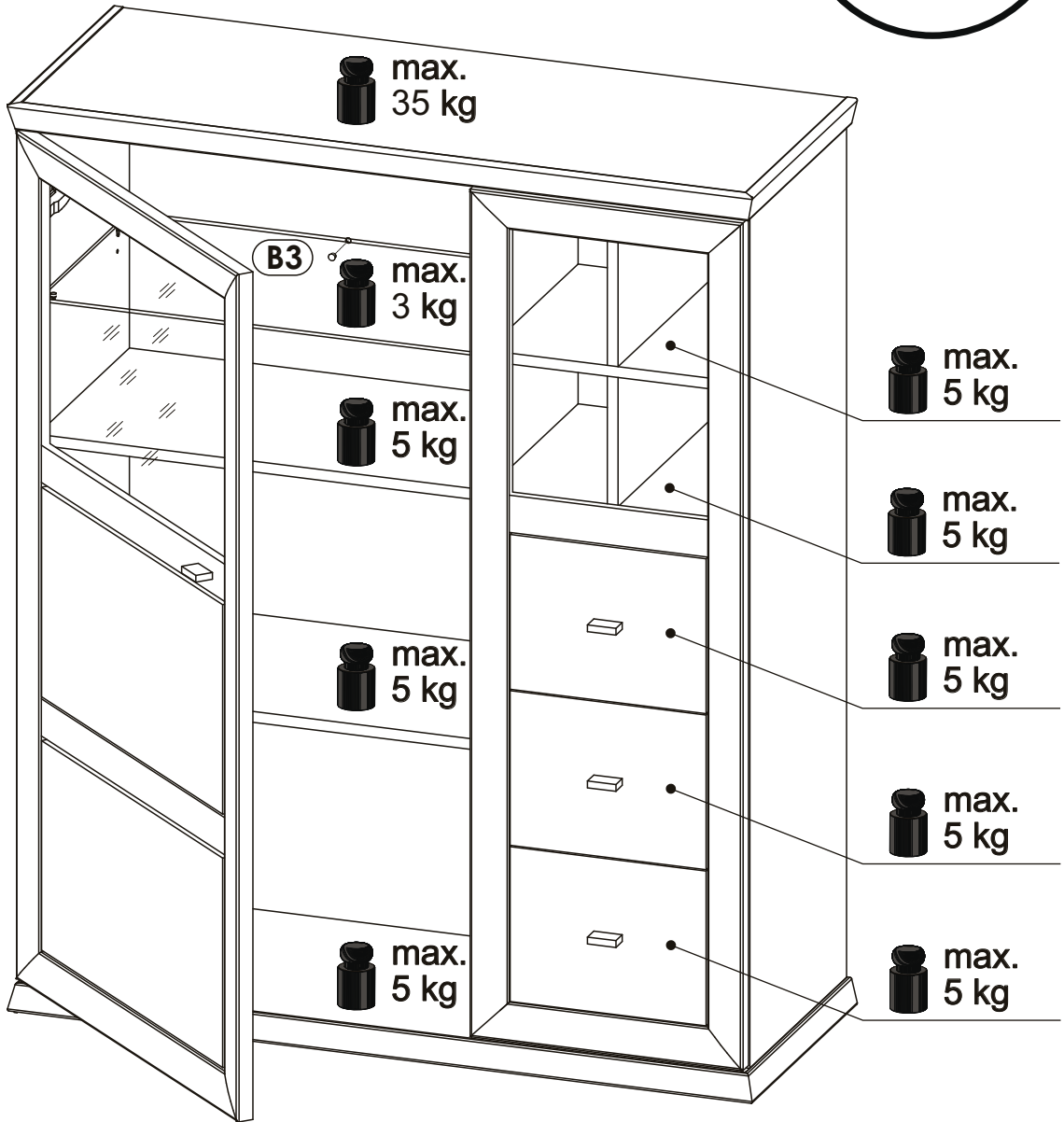
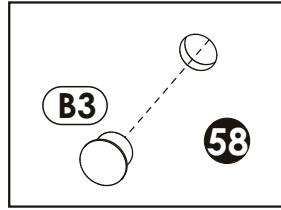
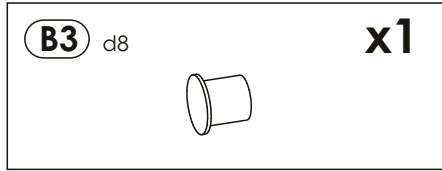
27 ▶

H2 4 x 22 mm x2 	L6  x1
--	---



28 ▶





OPTION

