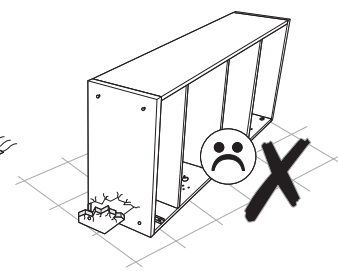
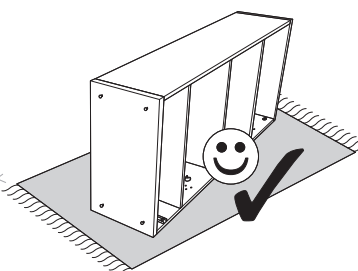
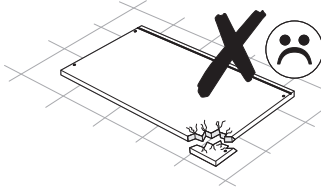
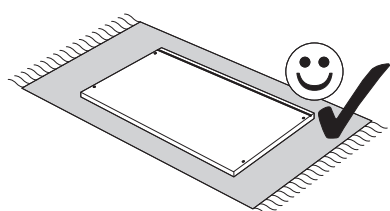
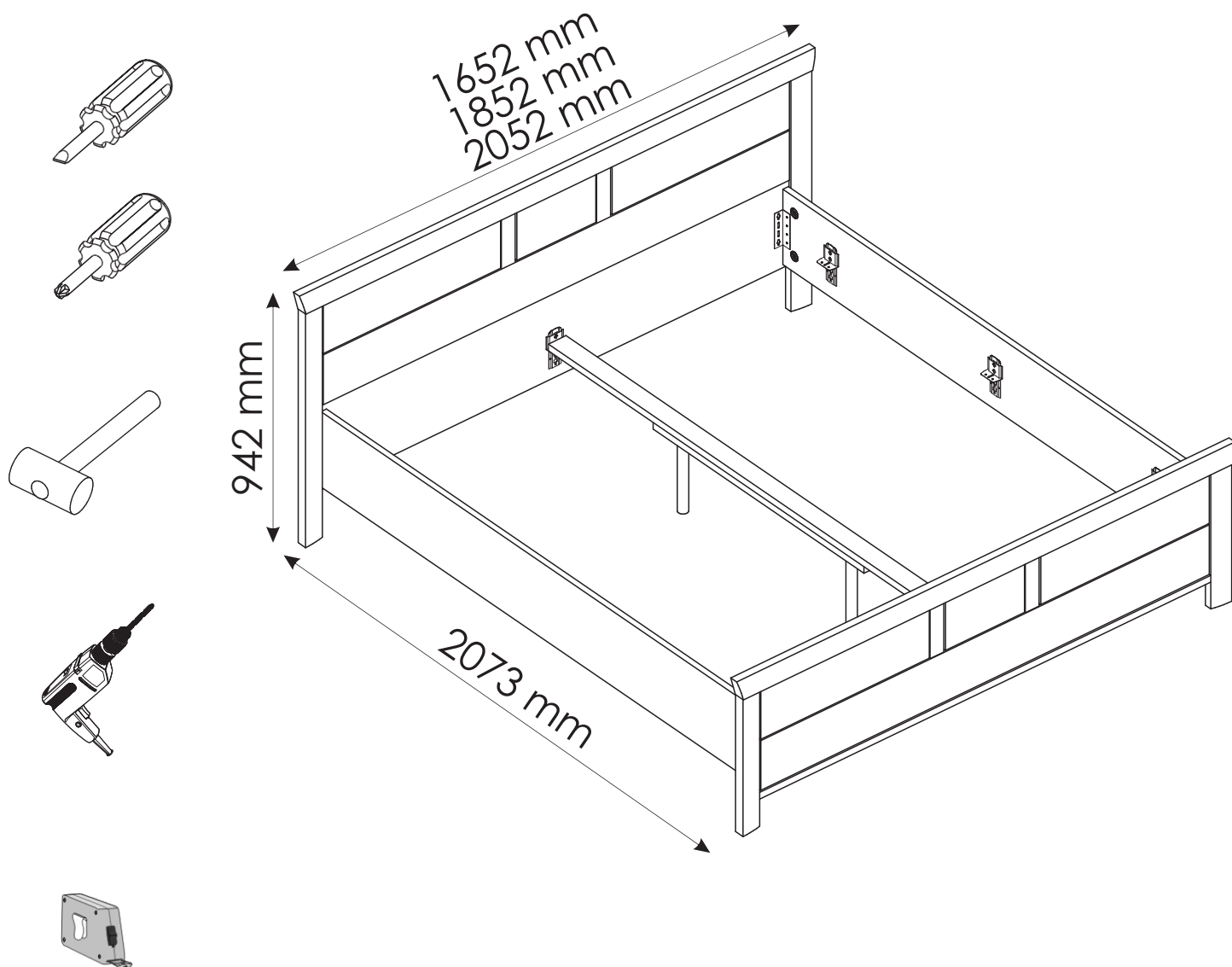
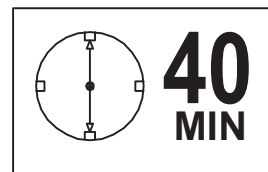
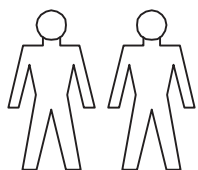
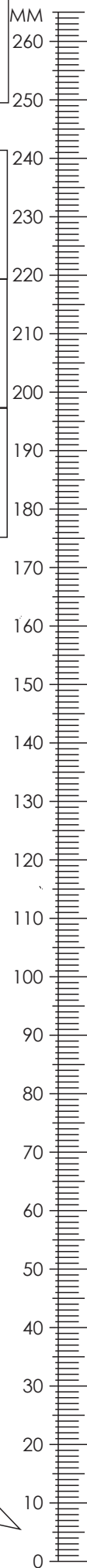

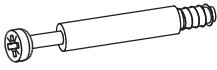
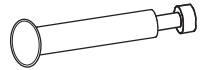


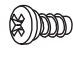

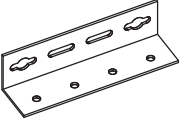
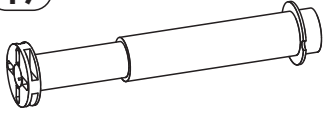



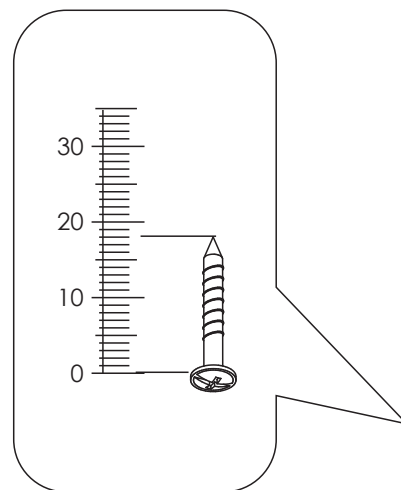
CAMRON - BETT 140/160/180



CAMRON - BETT 140/160/180



C0  x22	C11  x4	C12  x4
D10 4 x 16 mm  x48	D14 4 x 35 mm  x3	D30 EURO 6,3 x 13 mm  x34
P3  x8	P8  x4	T9  x2
U2  x4		





CAMRON - BETT 140/160/180


140

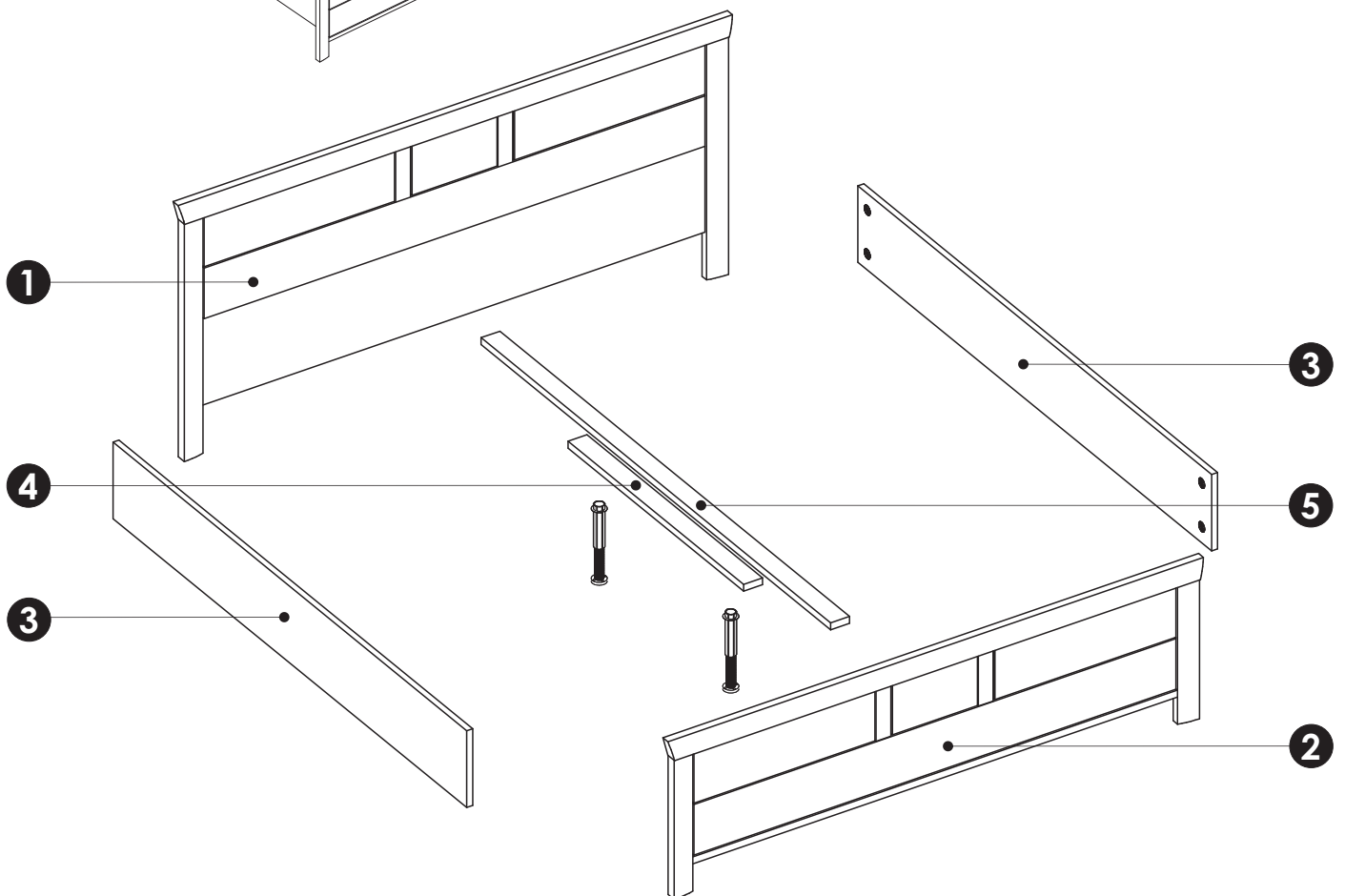
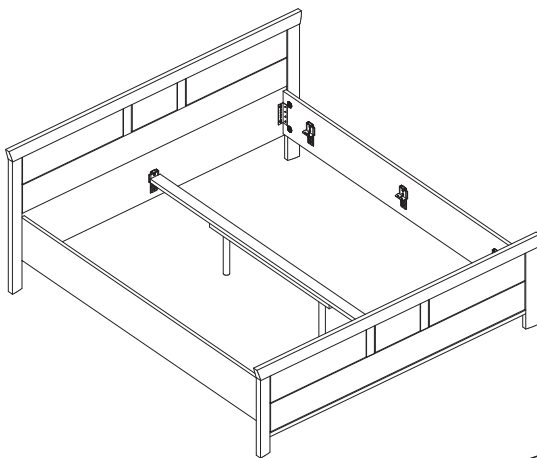
160

180

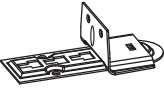

1	940	1652	41	x1	1/4
2	580	1582	41	x1	2/4
3	2016	280	22	x2	3/4
4	900	80	22	x1	3/4
5	1992	80	22	x1	3/4
					4/4

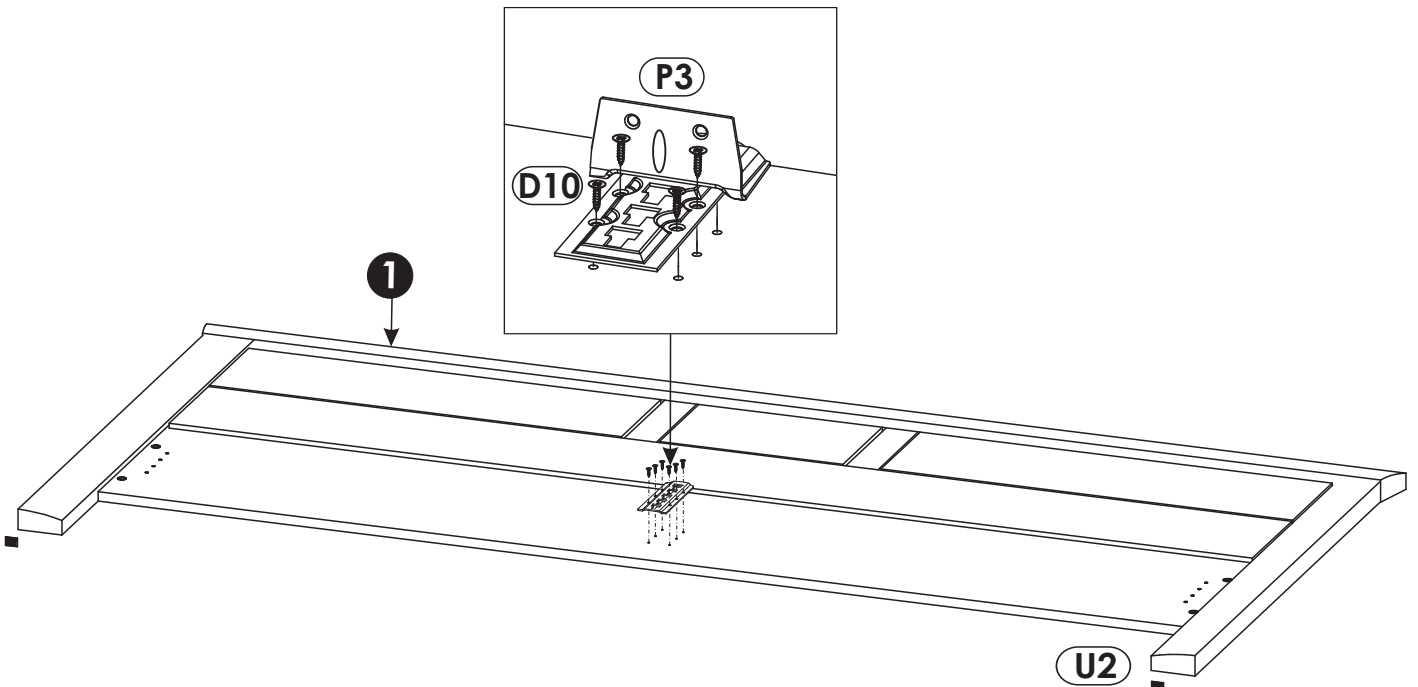
1	940	1852	41	x1	1/4
2	580	1782	41	x1	2/4
3	2016	280	22	x2	3/4
4	900	80	22	x1	3/4
5	1992	80	22	x1	3/4
					4/4

1	940	2052	41	x1	1/4
2	580	1982	41	x1	2/4
3	2016	280	22	x2	3/4
4	900	80	22	x1	3/4
5	1992	80	22	x1	3/4
					4/4

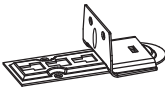




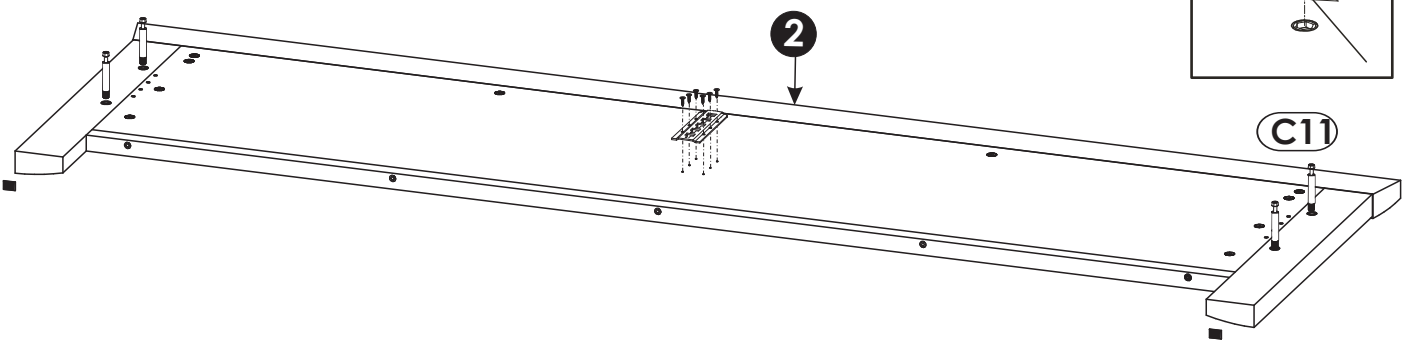
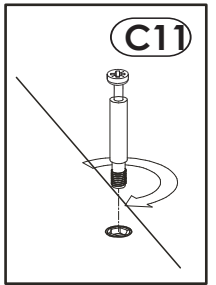
1 ▶

D10	4 x 16 mm	x6	P3		x1	U2		x2
------------	-----------	-----------	-----------	---	-----------	-----------	---	-----------



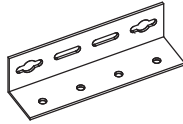


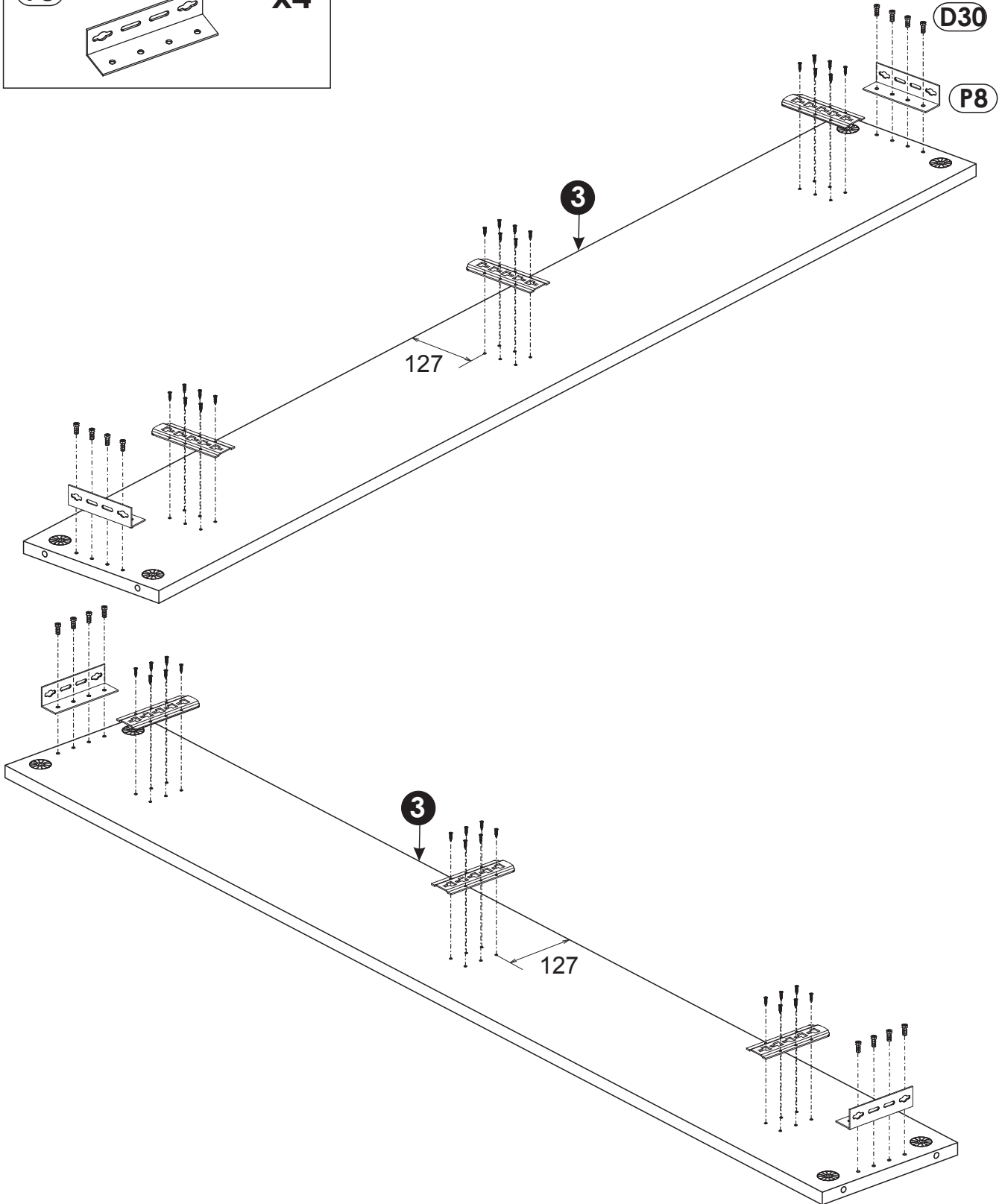
2 ▶

D10	4 x 16 mm	x6	P3		x1
C11		x4	U2		x2


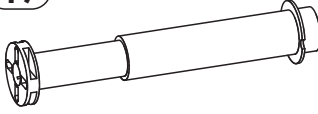


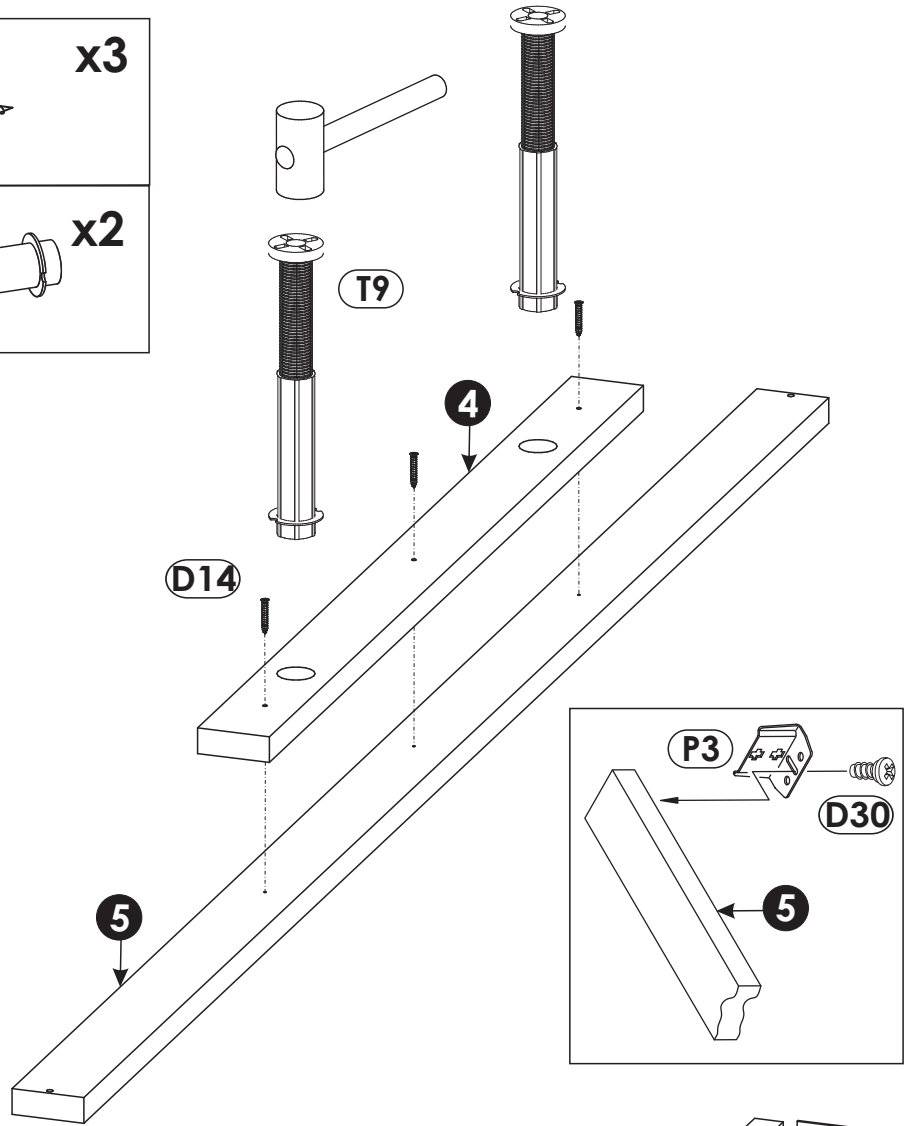
3 ▶

<p>(D10) 4 x 16 mm x36</p> 	<p>(D30) EURO 6,3 x 13 mm x16</p> 	<p>(P3) x6</p> 
<p>(P8) x4</p> 		<p>(D30)</p> <p>(P8)</p>




4 ▶

D14	4 x 35 mm	x3
		
T9		x2
		



5 ▶

D30	EURO 6,3 x 13 mm	x2
		
P3		x2
