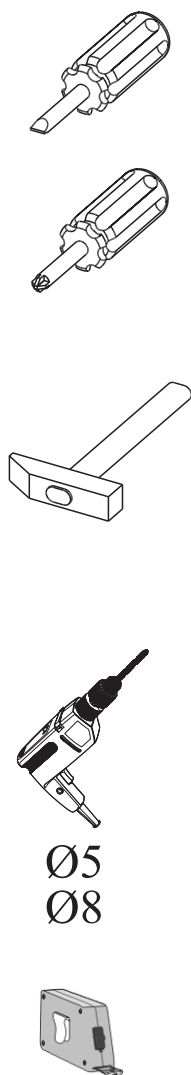
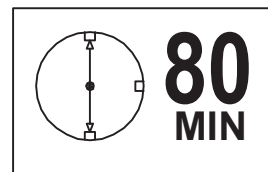
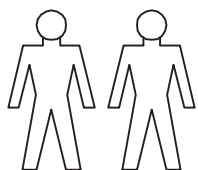


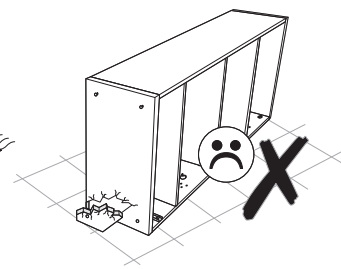
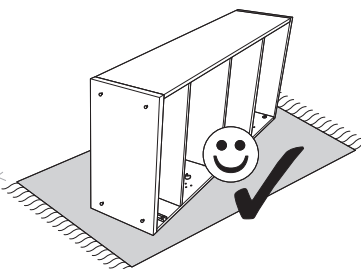
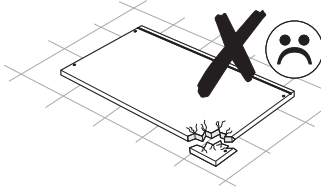
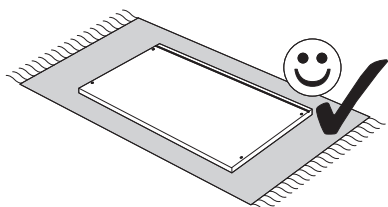
CAMRON - VITRINE 1T3L



2092 mm

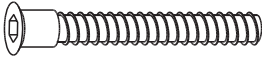

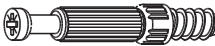




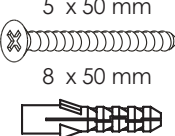



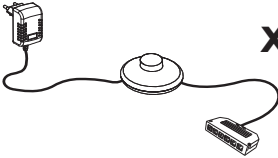

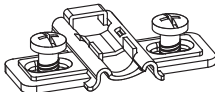
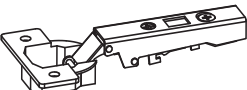
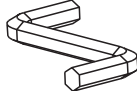


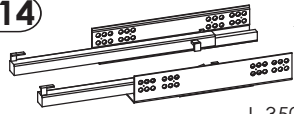
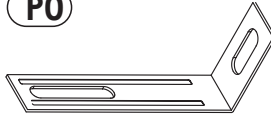
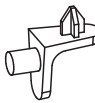

1102 mm

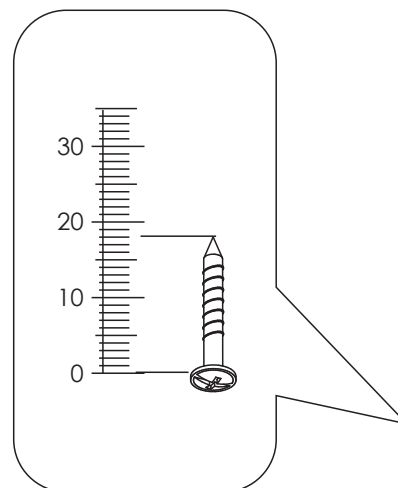
428 mm



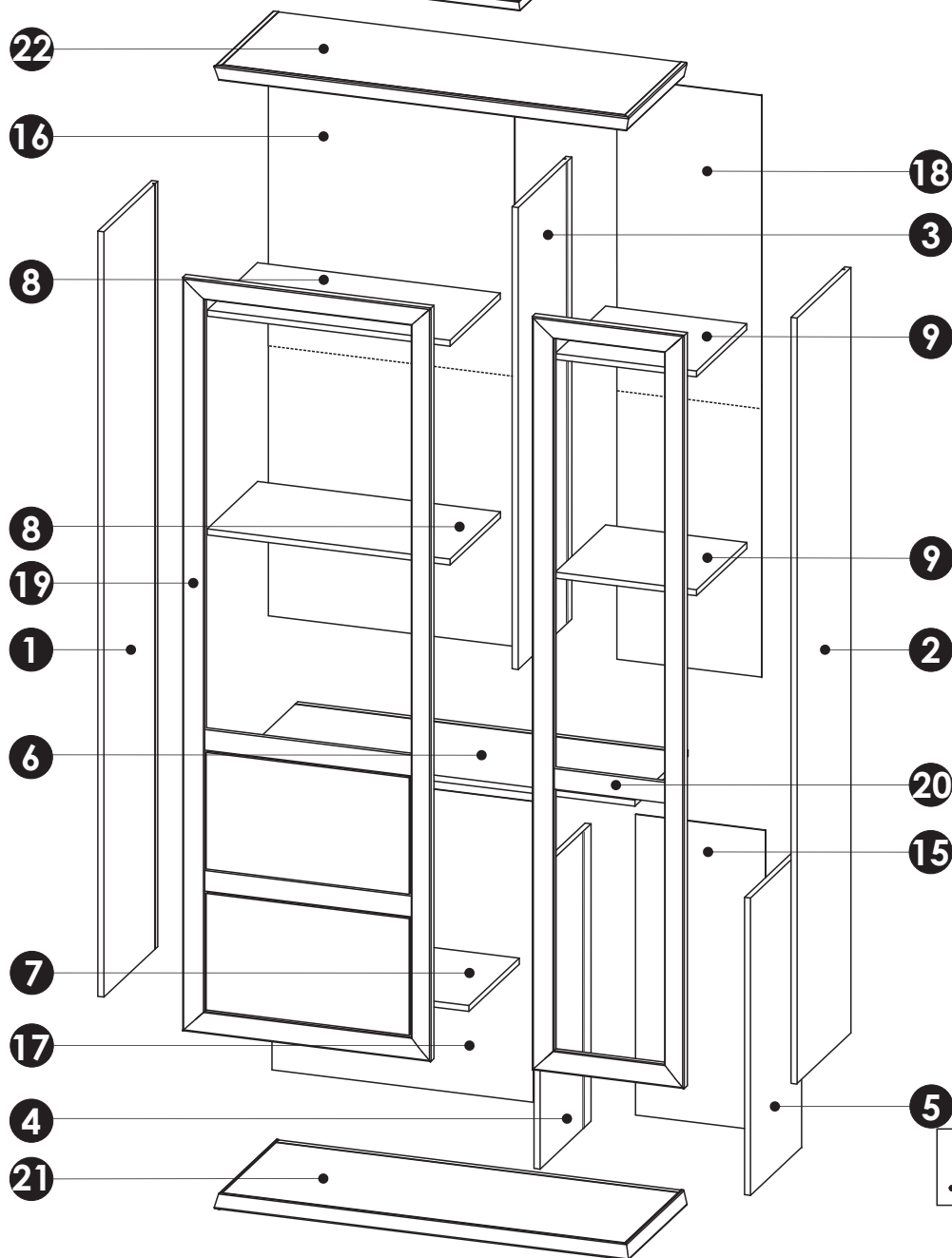
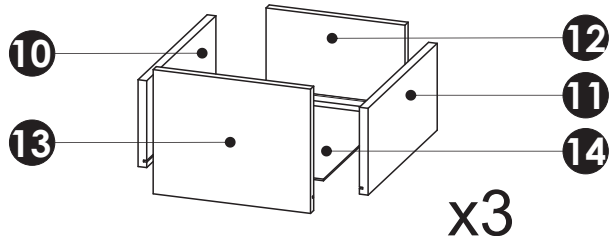
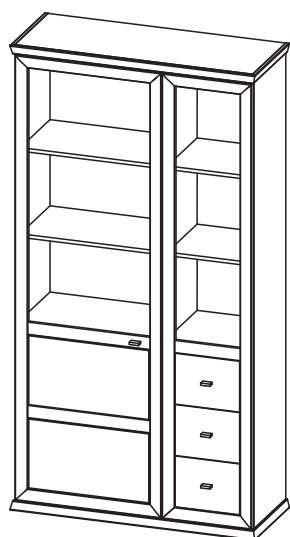
CAMRON - VITRINE 1T3L

MM

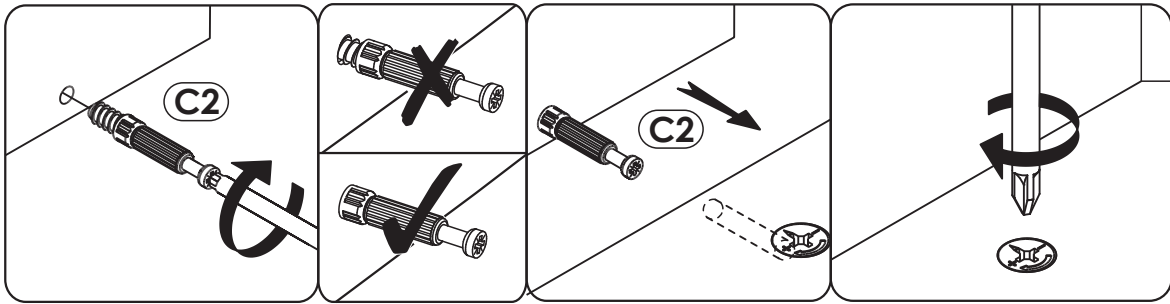
B1 f 7 x 50 mm x16 	C0  x28	C2  x40
D0 3 x 15 mm x66 	D10 4 x 16 mm x8 	D21 5 x 13 mm x2 
D31 6,3 x 13 mm x24 	E0 5 x 50 mm x2 8 x 50 mm 	G1  x2 L=638
G2  x2 L=374	G3  x10	G4  x1
H2 4 x 22 mm x8 	J3  x4	J10  x4
K 4mm  x1	L6  x4	M1  x56
N14  x3 L-350mm	P0  x2	Q3  x20
U2  x6		



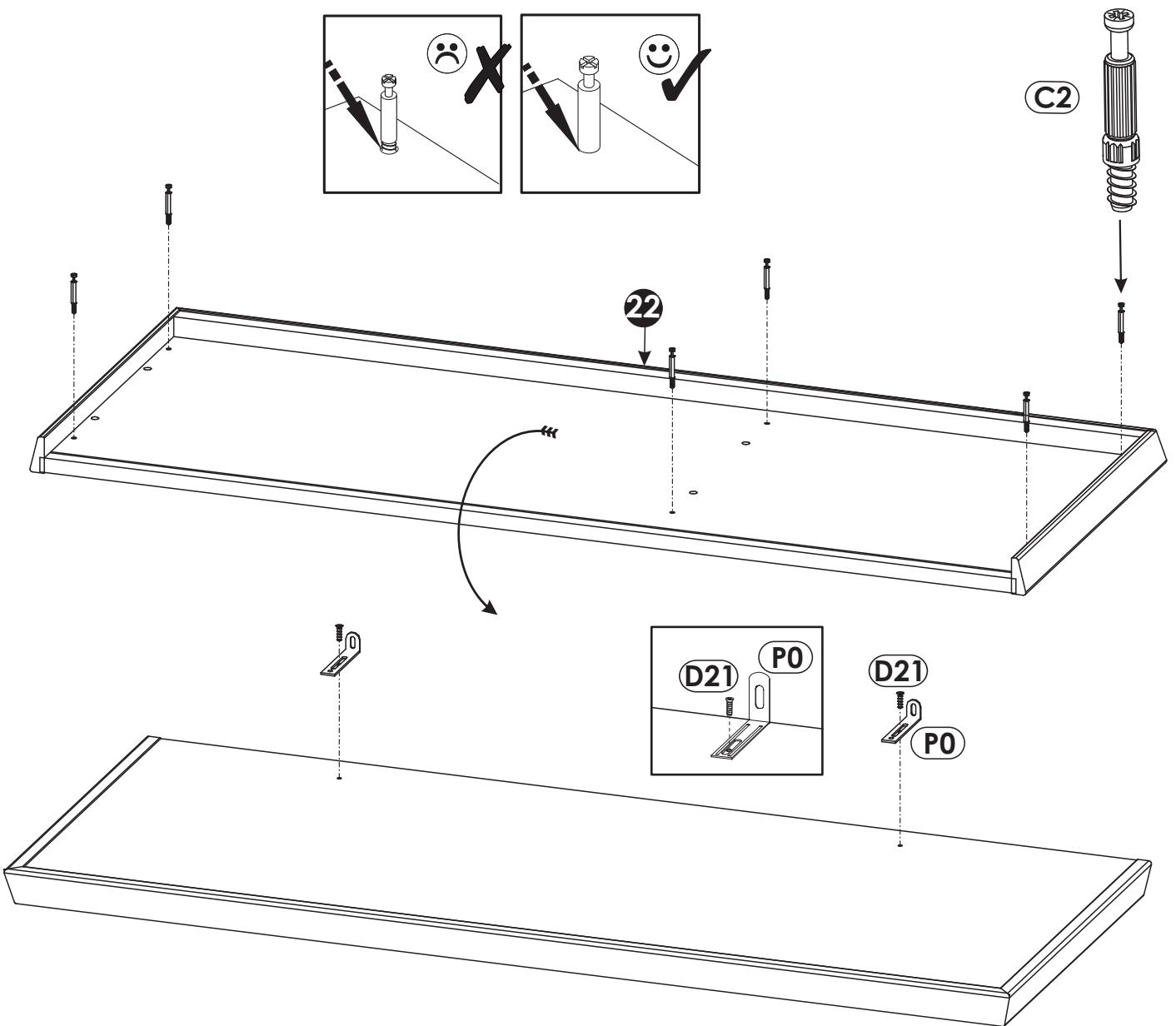
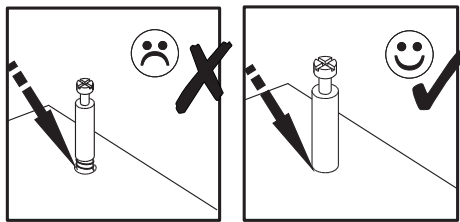
CAMRON - VITRINE 1T3L



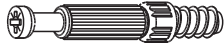

1	2036	393	16 x1	1/5
2	2036	393	16 x1	1/5
3	1229	393	16 x1	2/5
4	791	393	16 x1	2/5
5	791	373	16 x1	2/5
6	1038	393	16 x1	2/5
7	686	373	16 x1	1/5
8	646	350	16 x2	1/5
9	376	354	16 x2	2/5
10	350	160	16 x3	2/5
11	350	160	16 x3	2/5
12	256	157	16 x3	2/5
13	290	229	16 x3	2/5
14	344	266	2.8 x3	1/5
15	345	800	2.8 x1	1/5
16	655	1238	2.8 x1	4/5
17	695	800	2.8 x1	4/5
18	385	1238	2.8 x1	5/5
19	2004	660	25 x1	4/5
20	2004	404	25 x1	5/5
21	1102	428	40 x1	3/5
22	1102	428	40 x1	3/5
				2/5

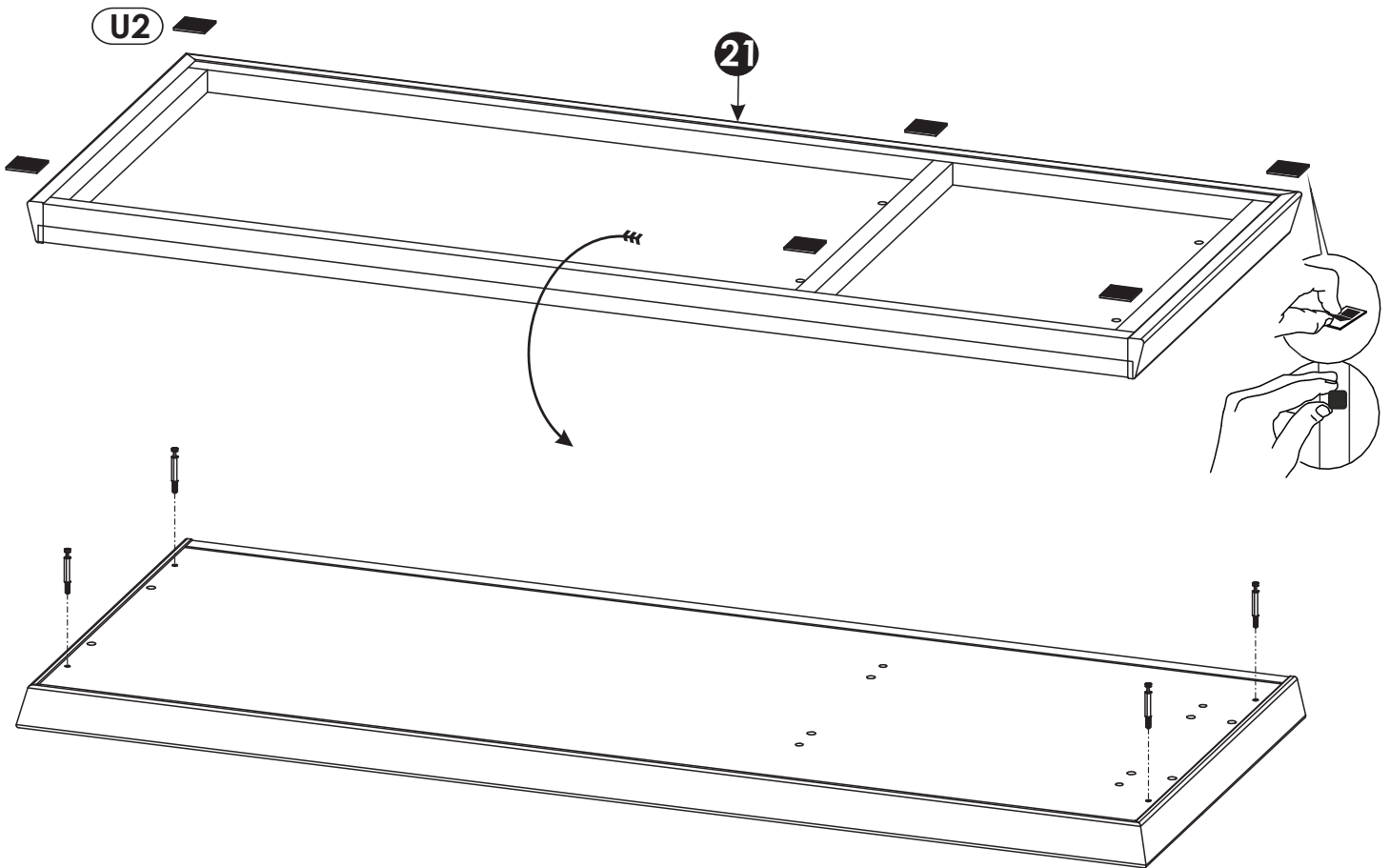


<p>C2</p>  <p>x6</p>	<p>D21</p> <p>5 x 13 mm</p>  <p>x2</p>	<p>P0</p>  <p>x2</p>
---	---	---

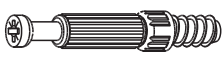
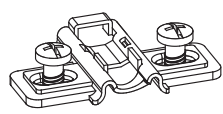



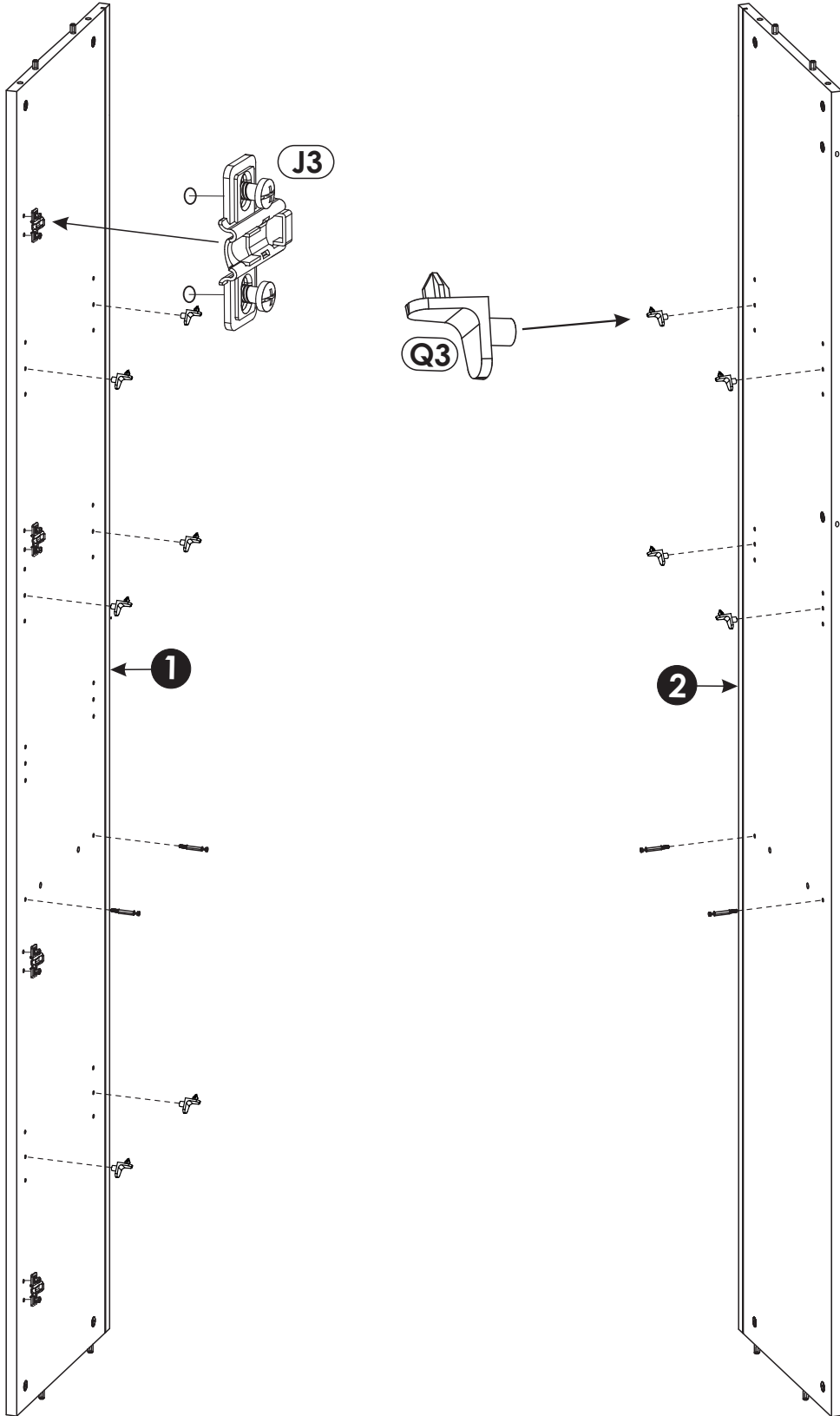
2▶

C2	x4	U2	x6
			

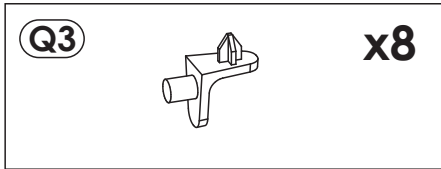


3 ▶

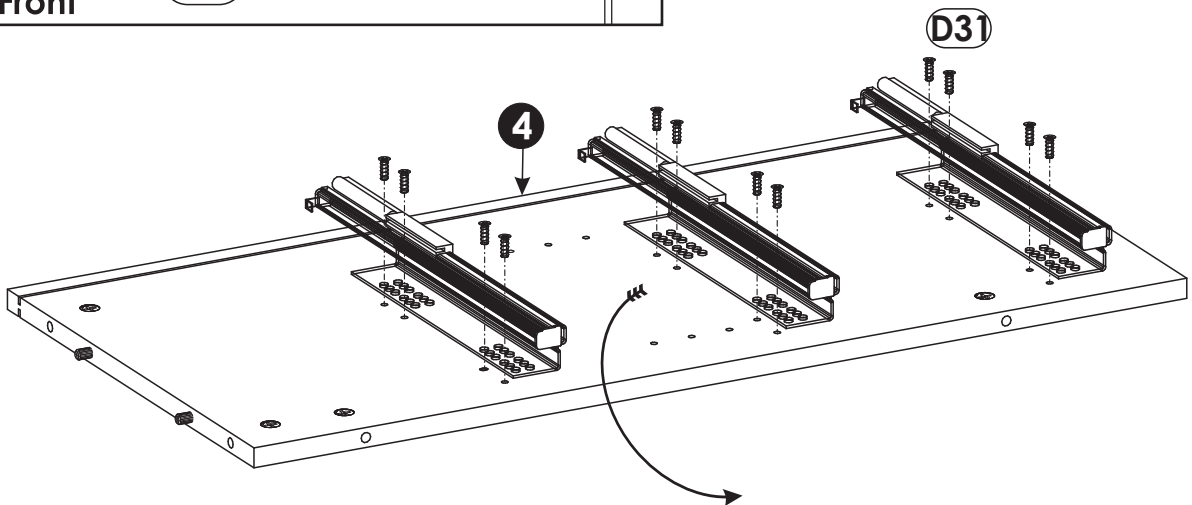
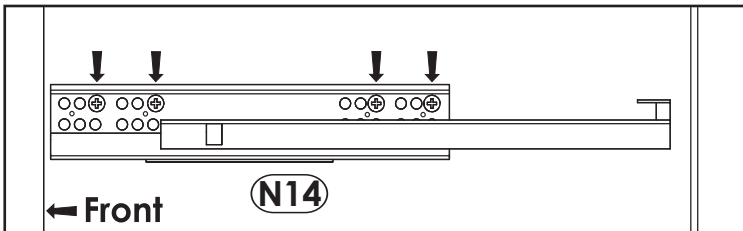
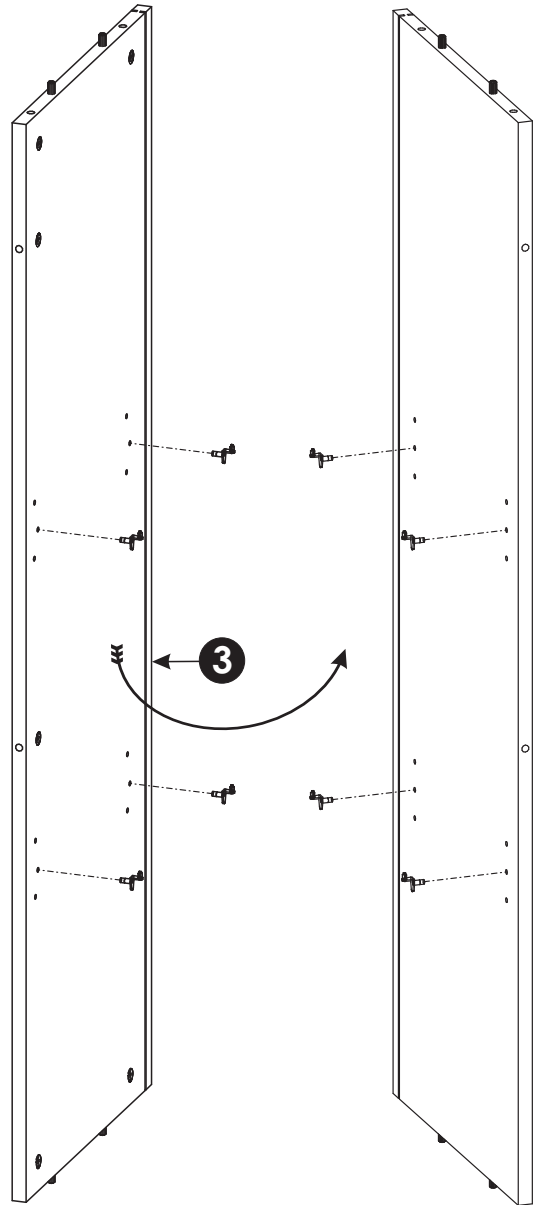
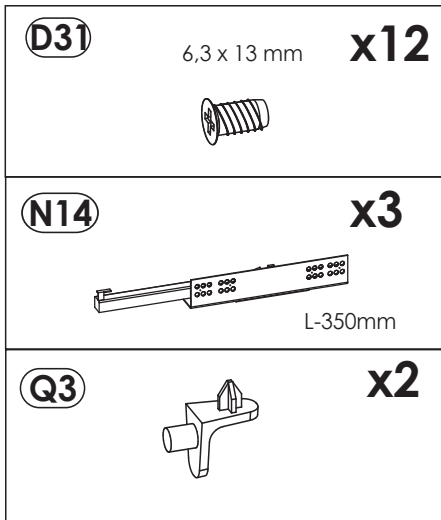
<p>C2</p>  <p>x4</p>	<p>J3</p>  <p>x4</p>	<p>Q3</p>  <p>x10</p>
---	---	--

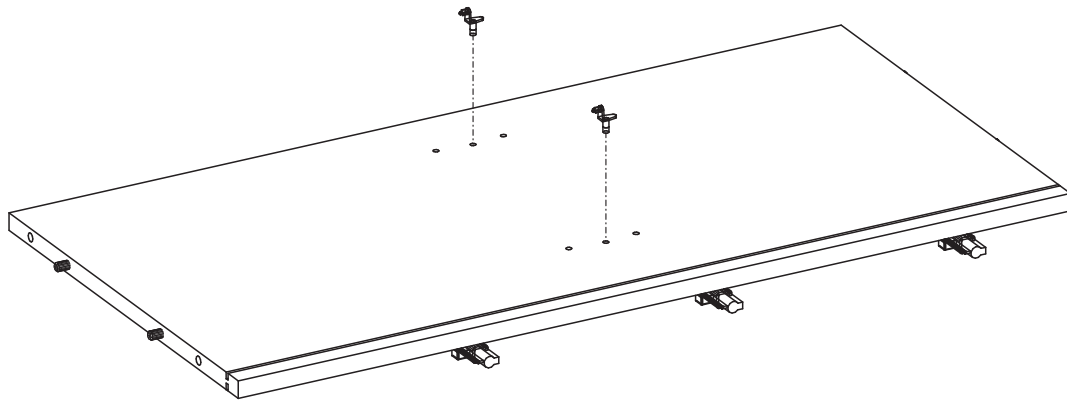


4 ▶


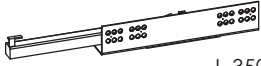


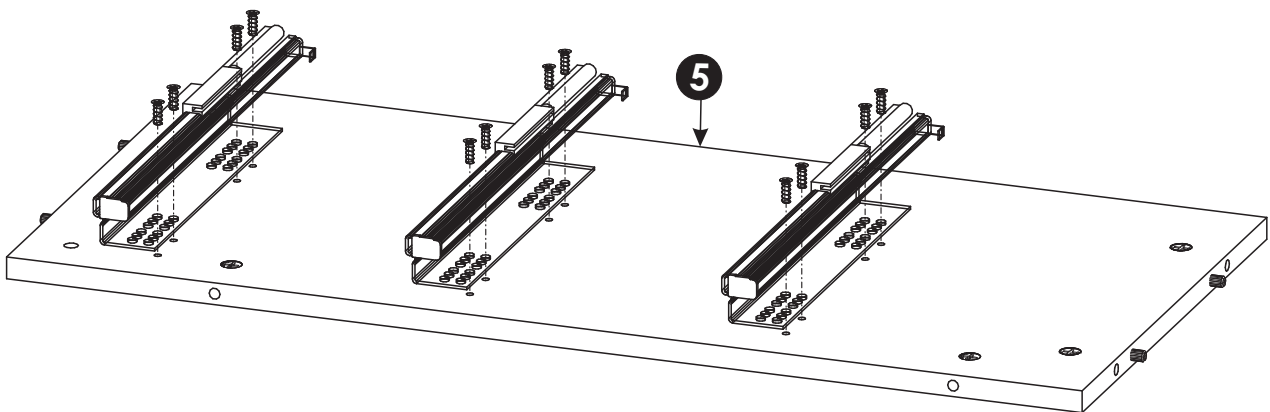
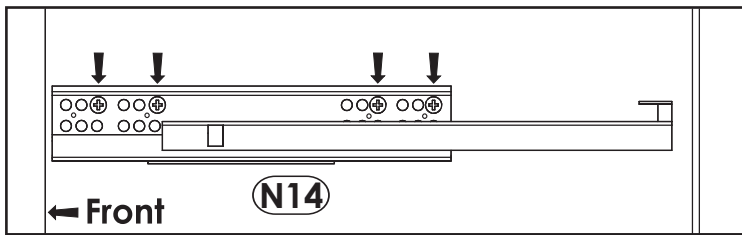
5 ▶



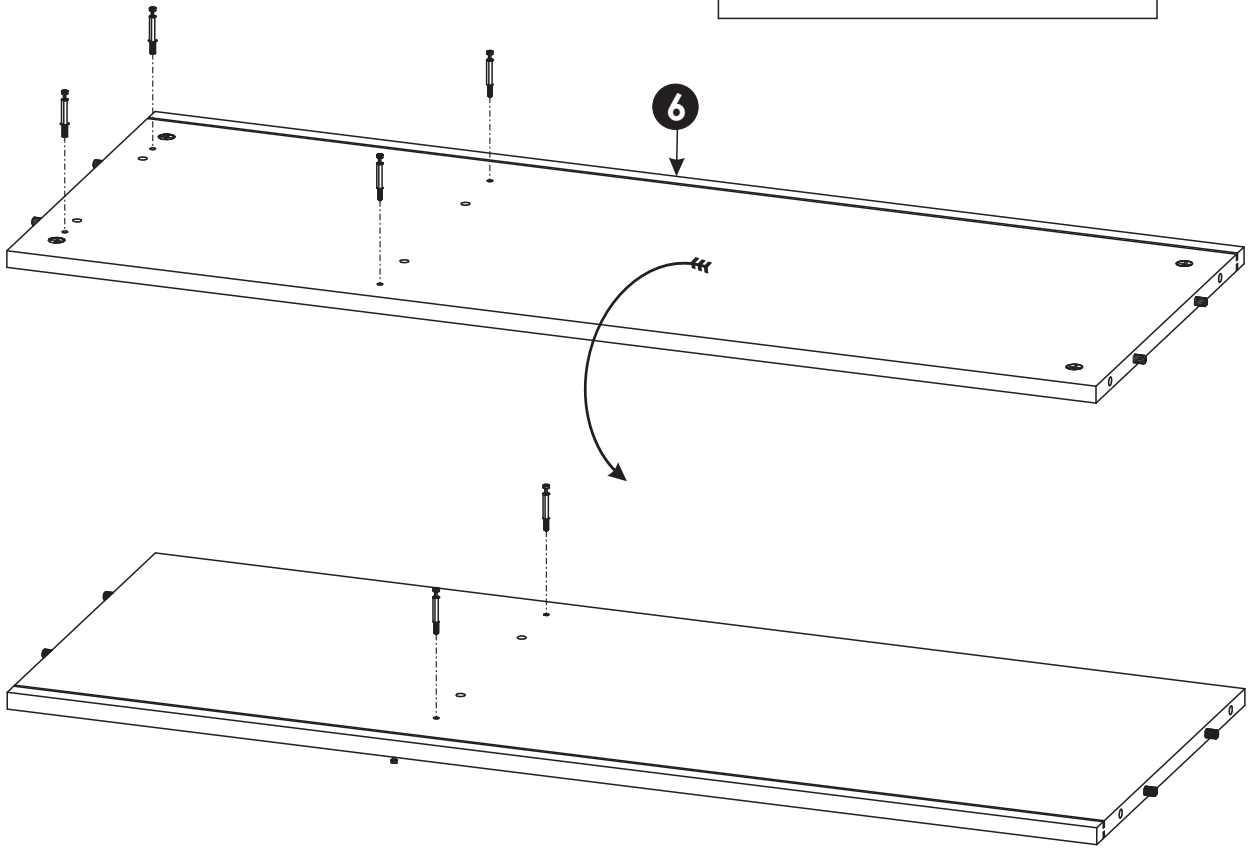
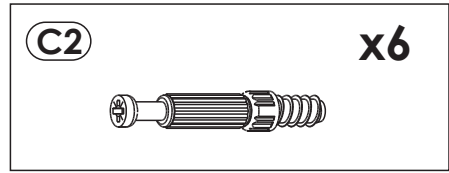


6 ▶

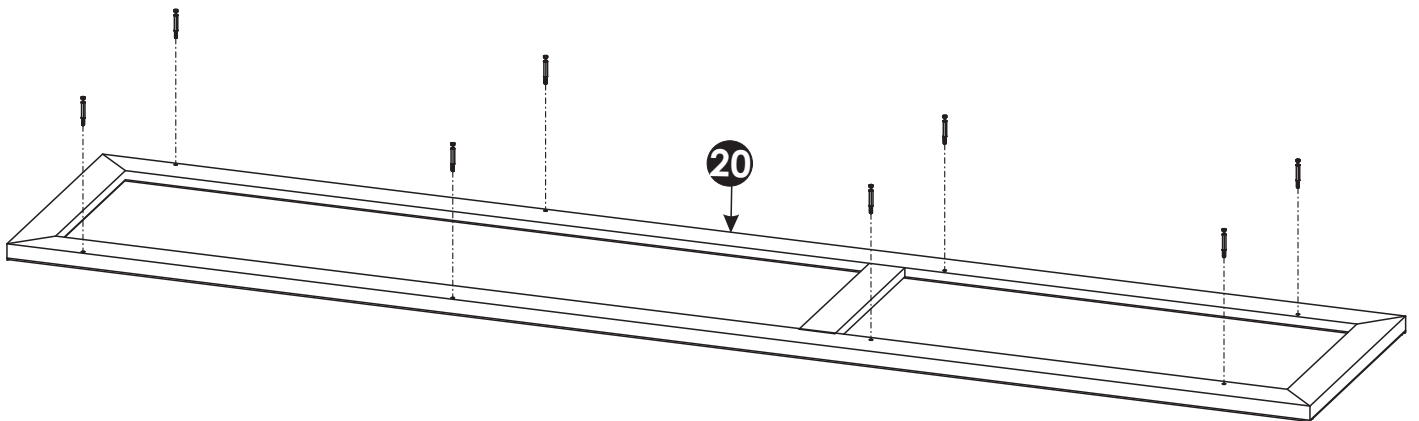
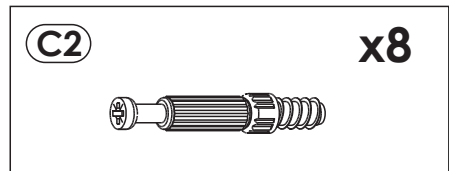
(D31)	6,3 x 13 mm	x12	(N14)	x3
				
			L-350mm	



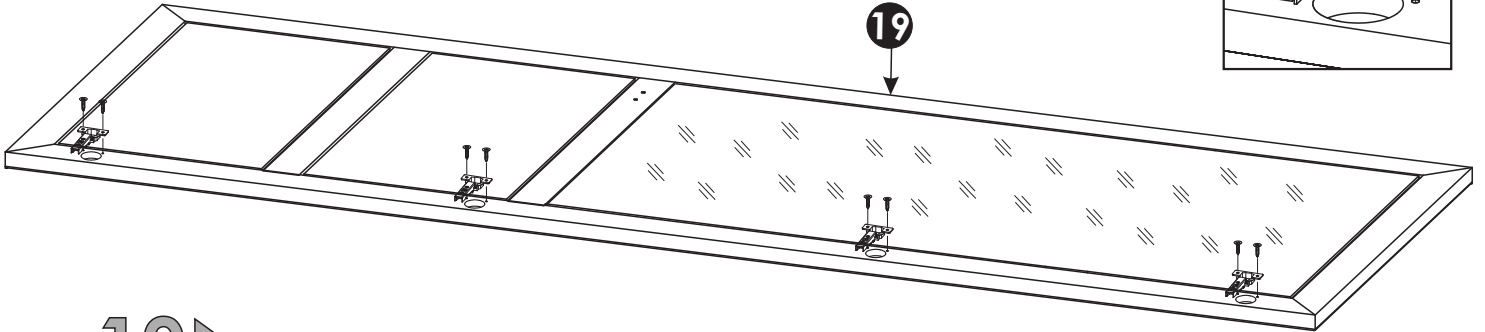
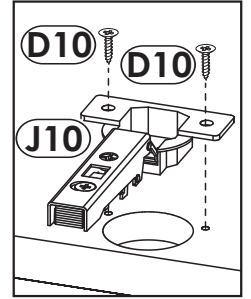
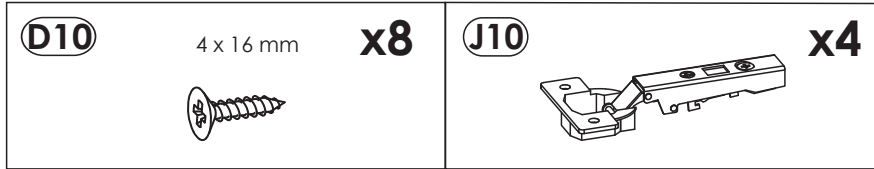
7 ▶



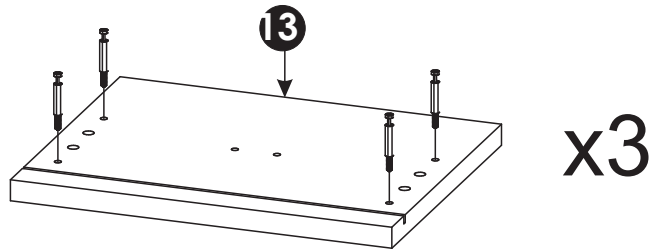
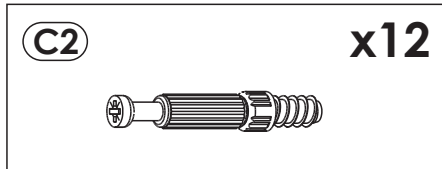
8 ▶



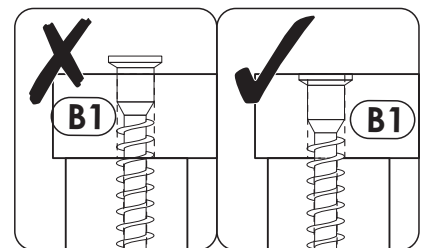
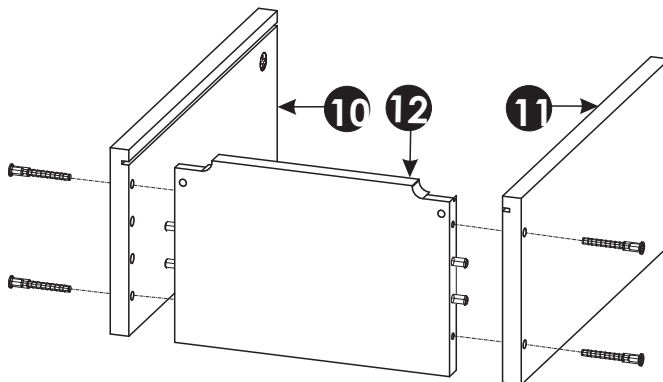
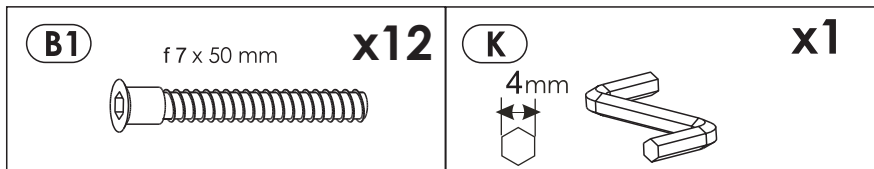
9 ▶



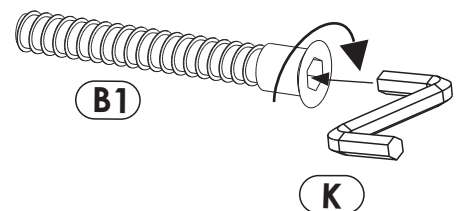
10 ▶



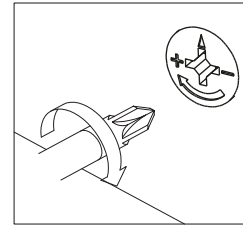
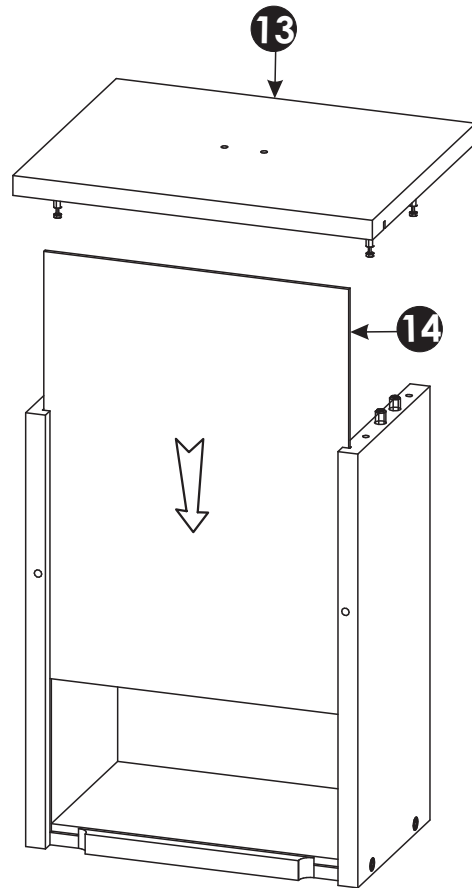
11 ▶



x3


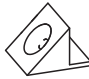


12▶

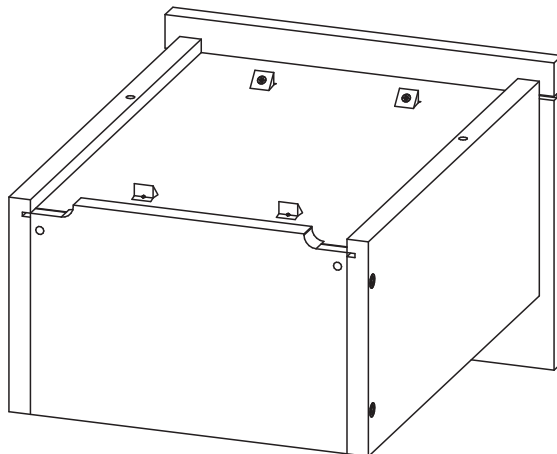
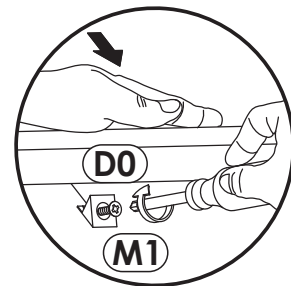
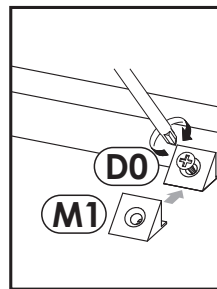
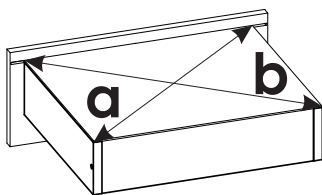


x3

13▶

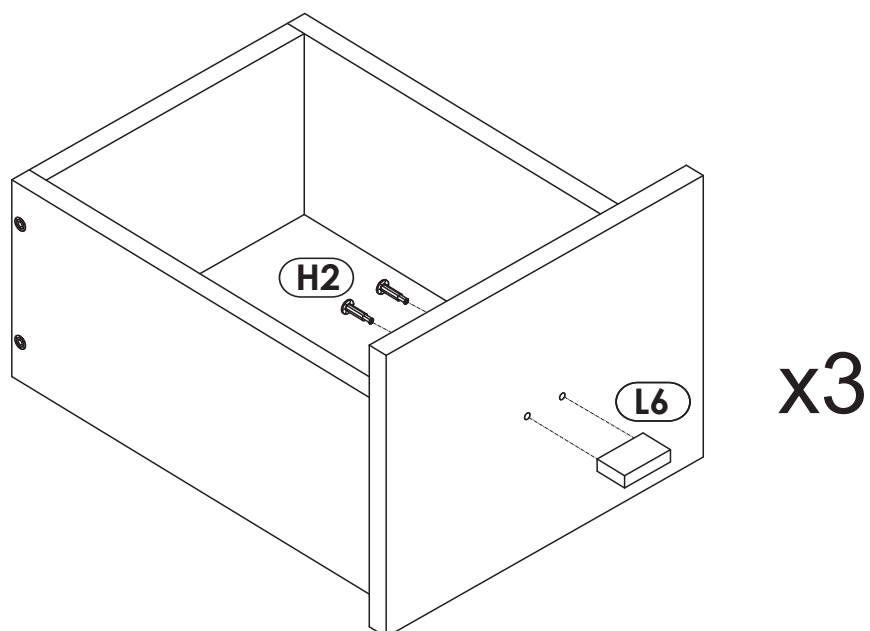
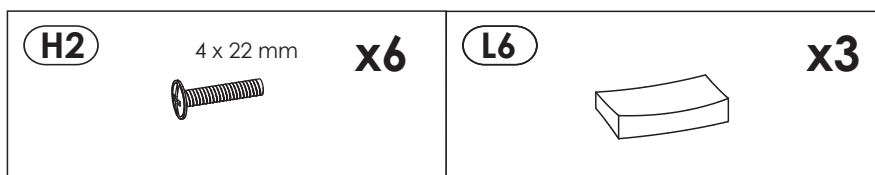
(D0)	3 x 15 mm	x12	(M1)		x12
					

a=b

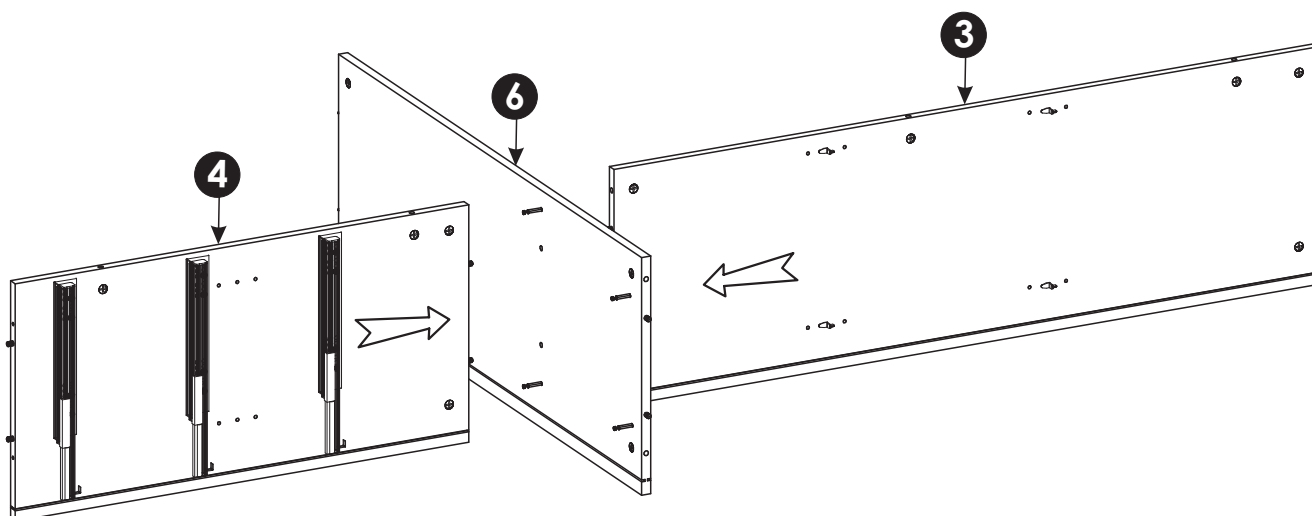
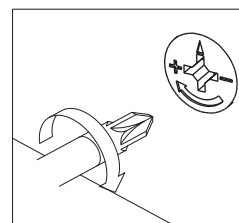


x3

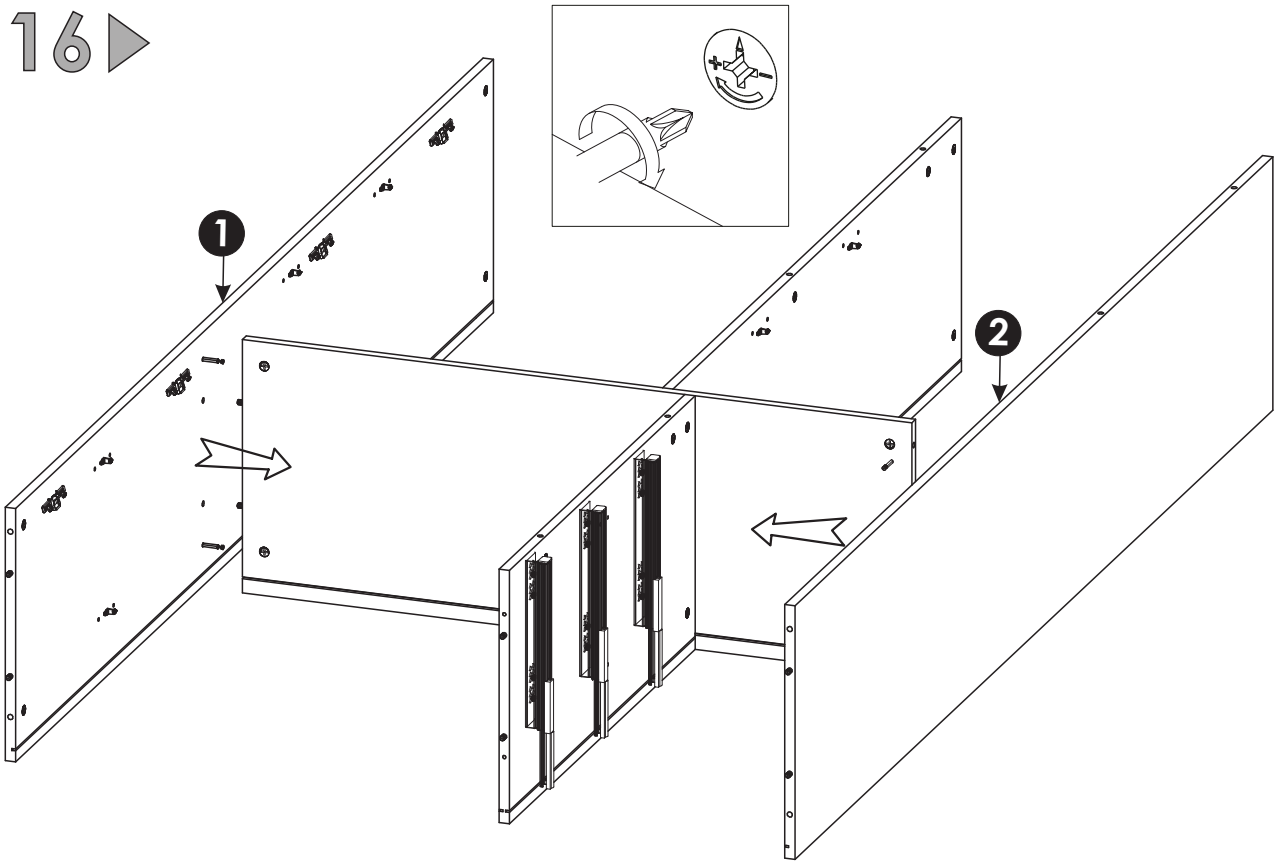
14▶



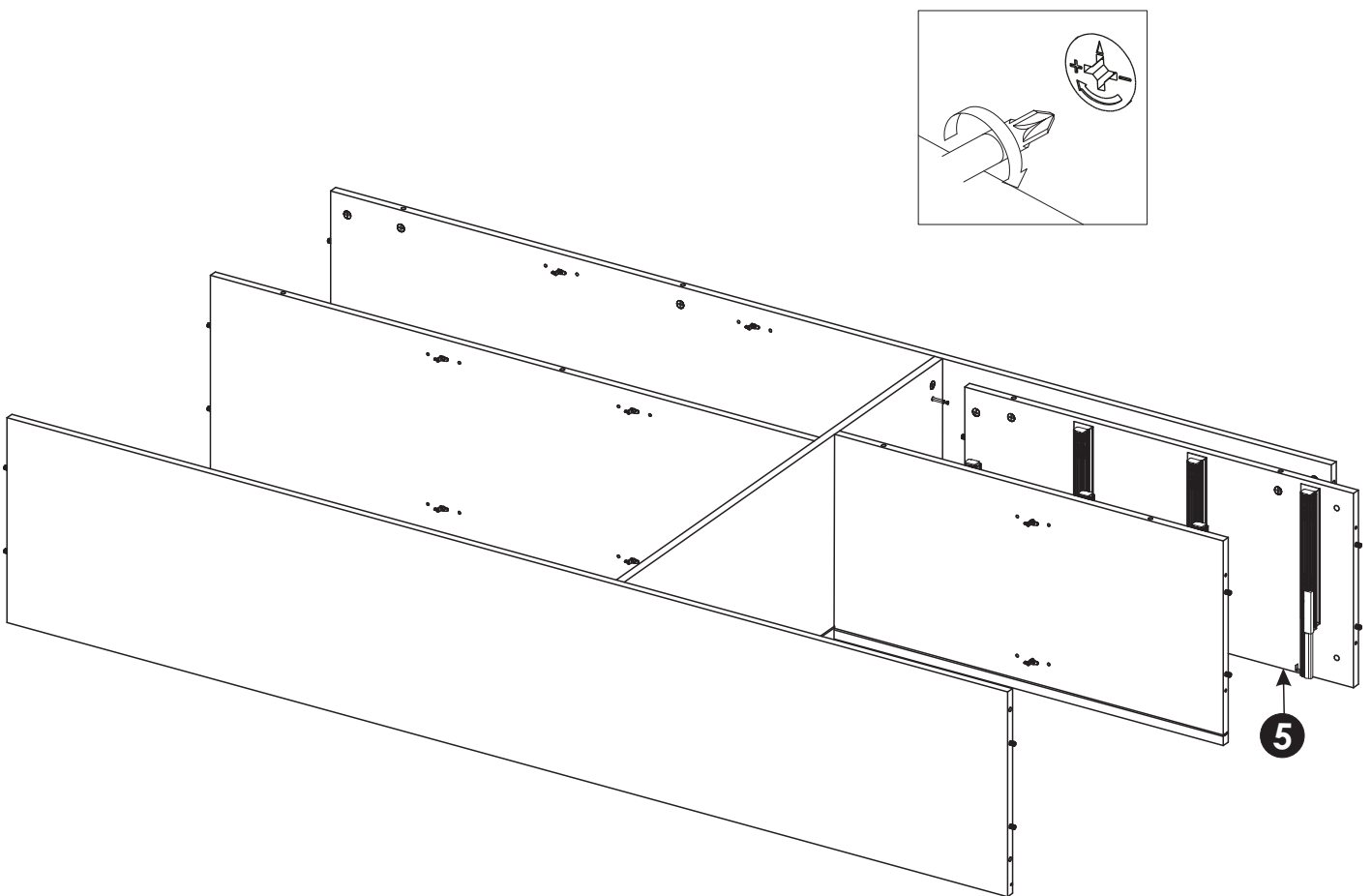
15▶



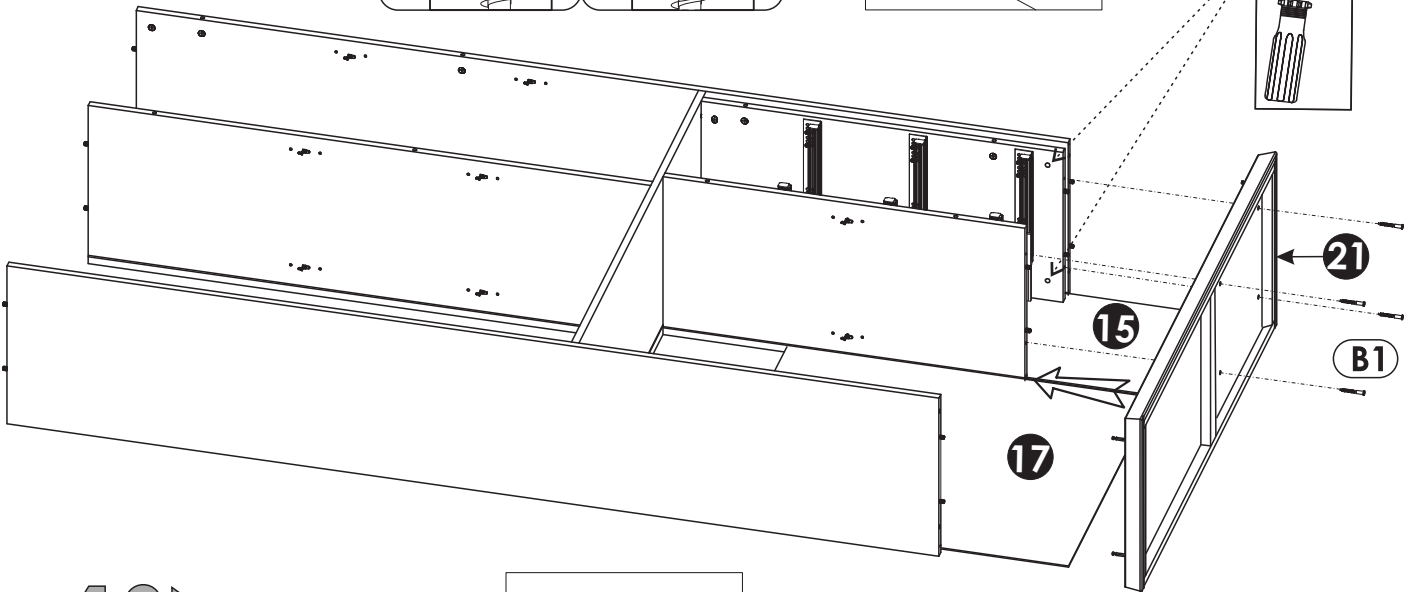
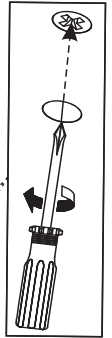
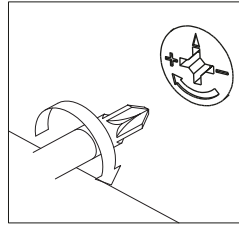
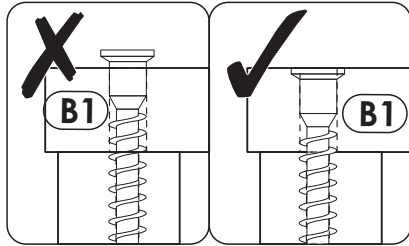
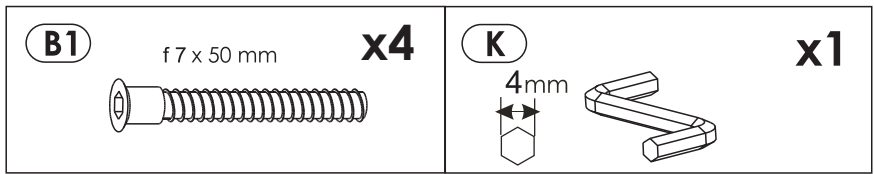
16 ▶



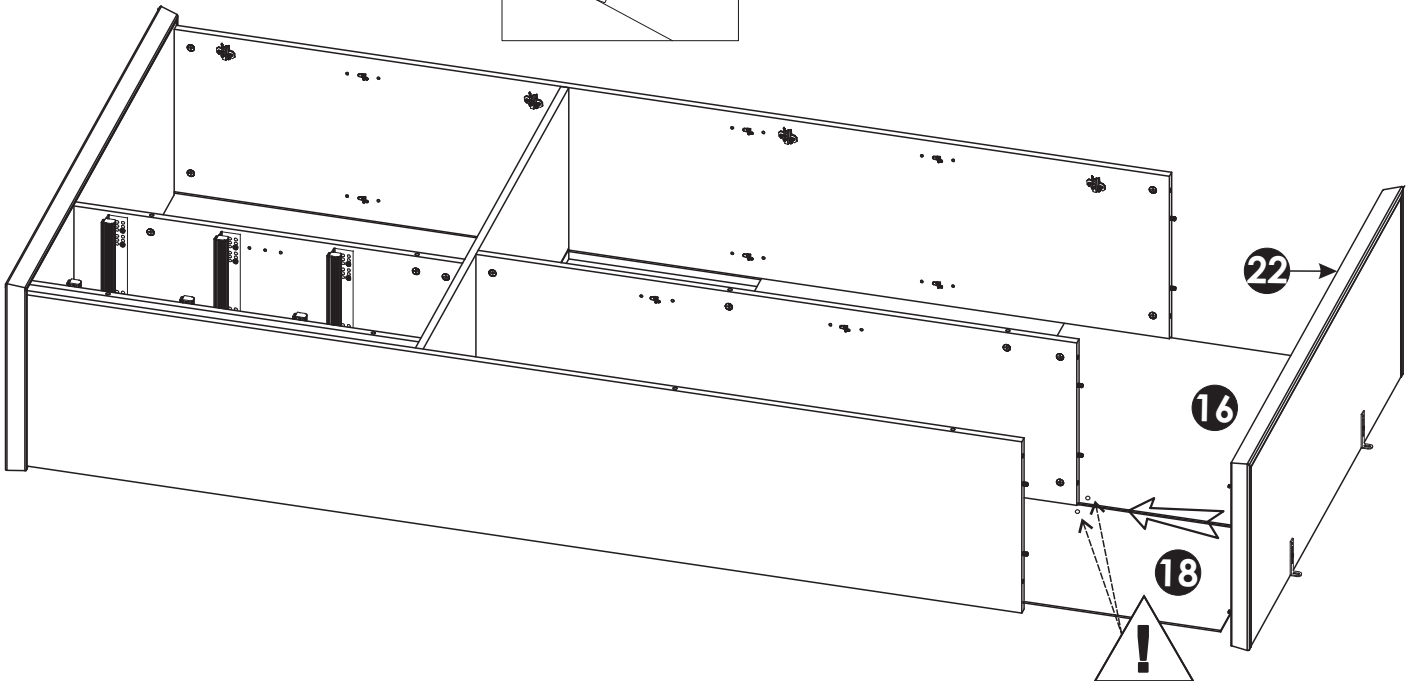
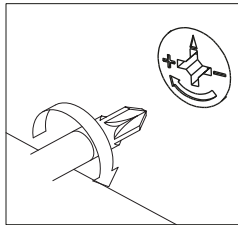
17 ▶







18 ▶

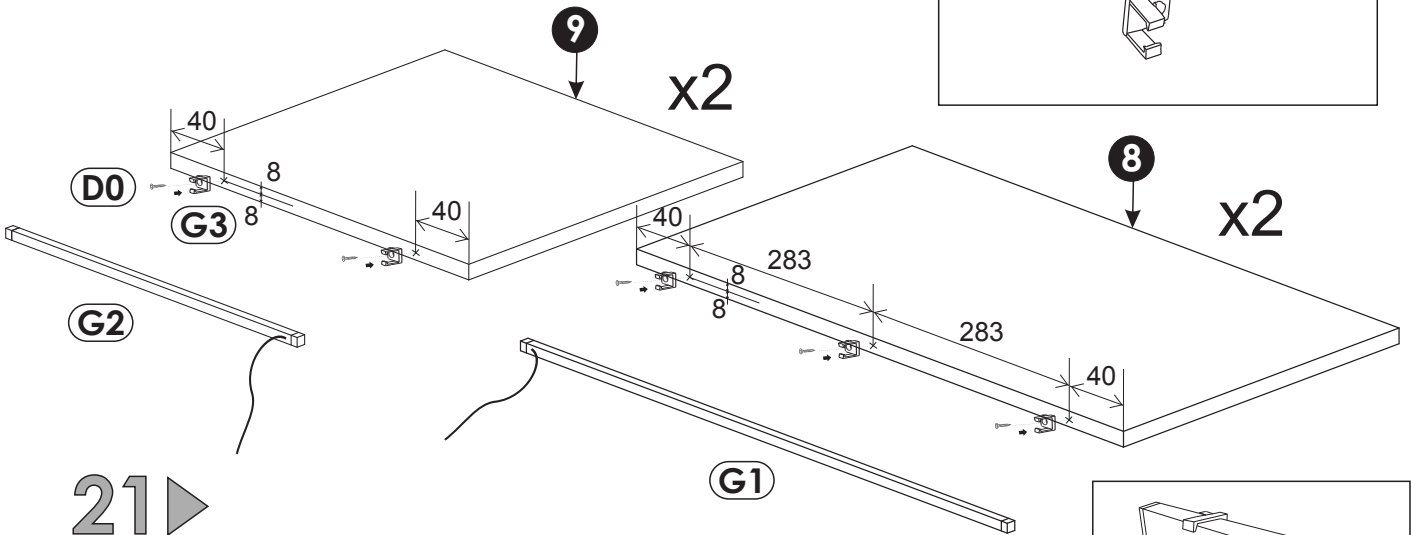


19 ▶

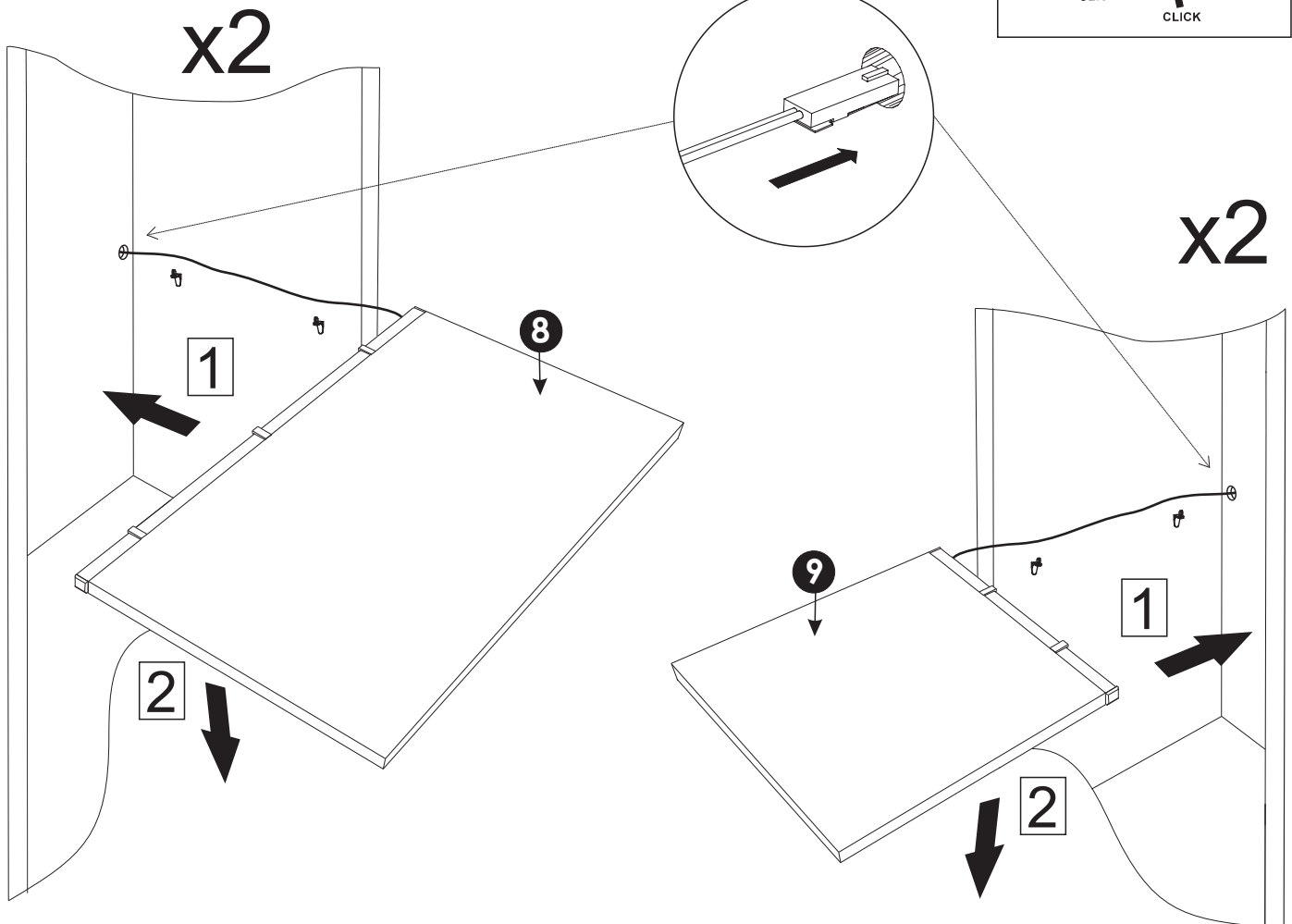
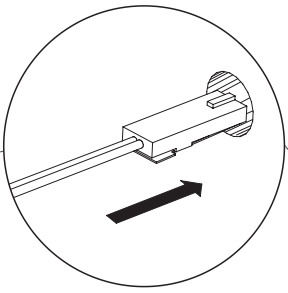
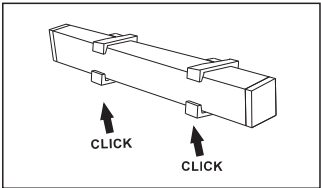


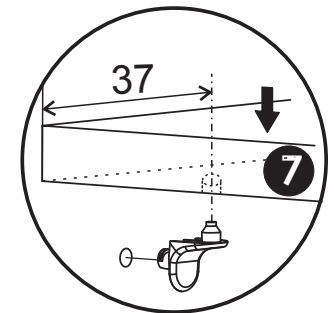
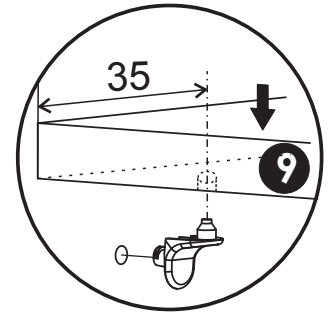
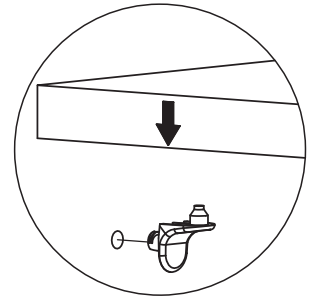
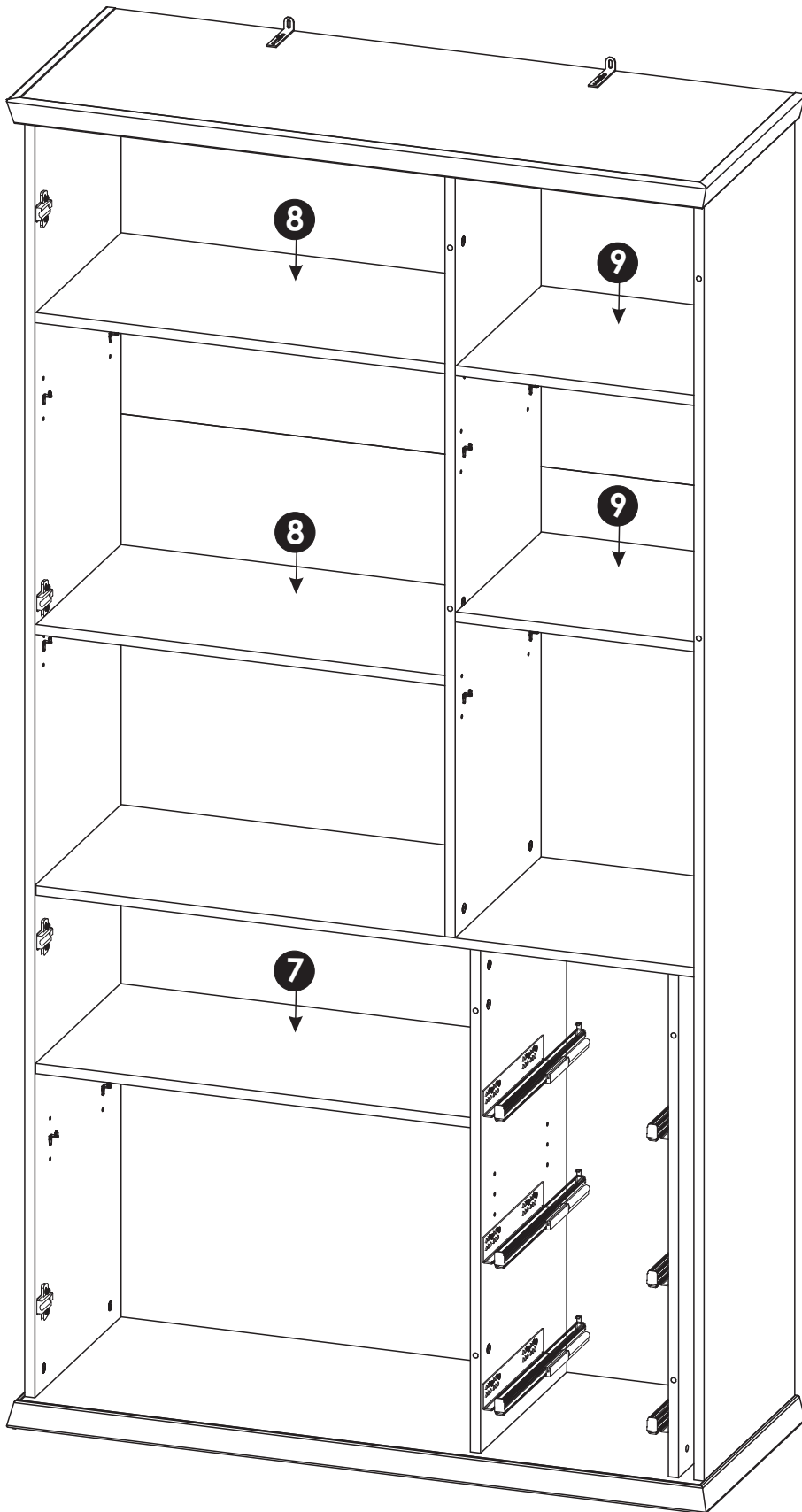
20 ▶

(D0) 3 x 15 mm x10 	(G1)  L=638 x2	(G2)  L=374 x2
		(G3)  x10

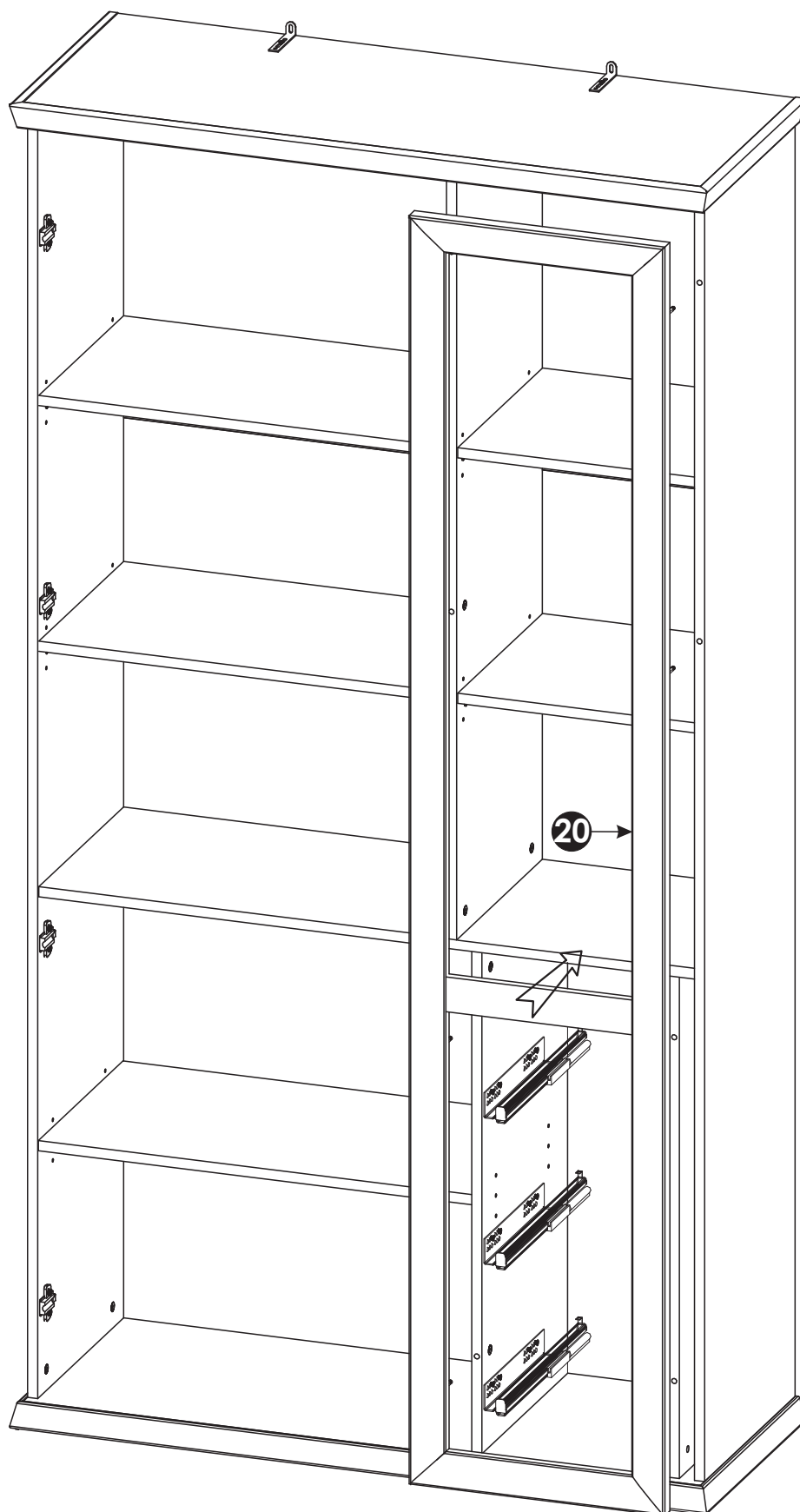
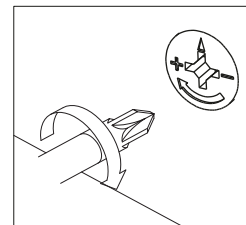


21 ▶



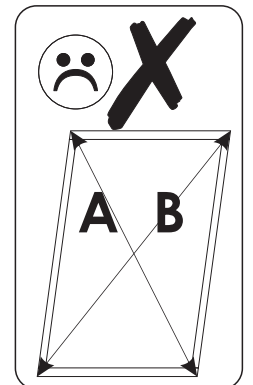
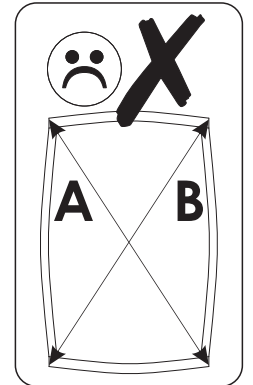
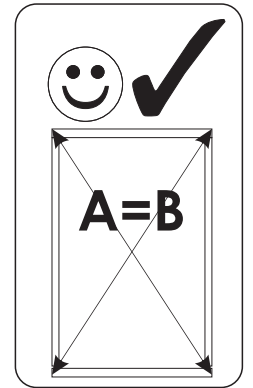
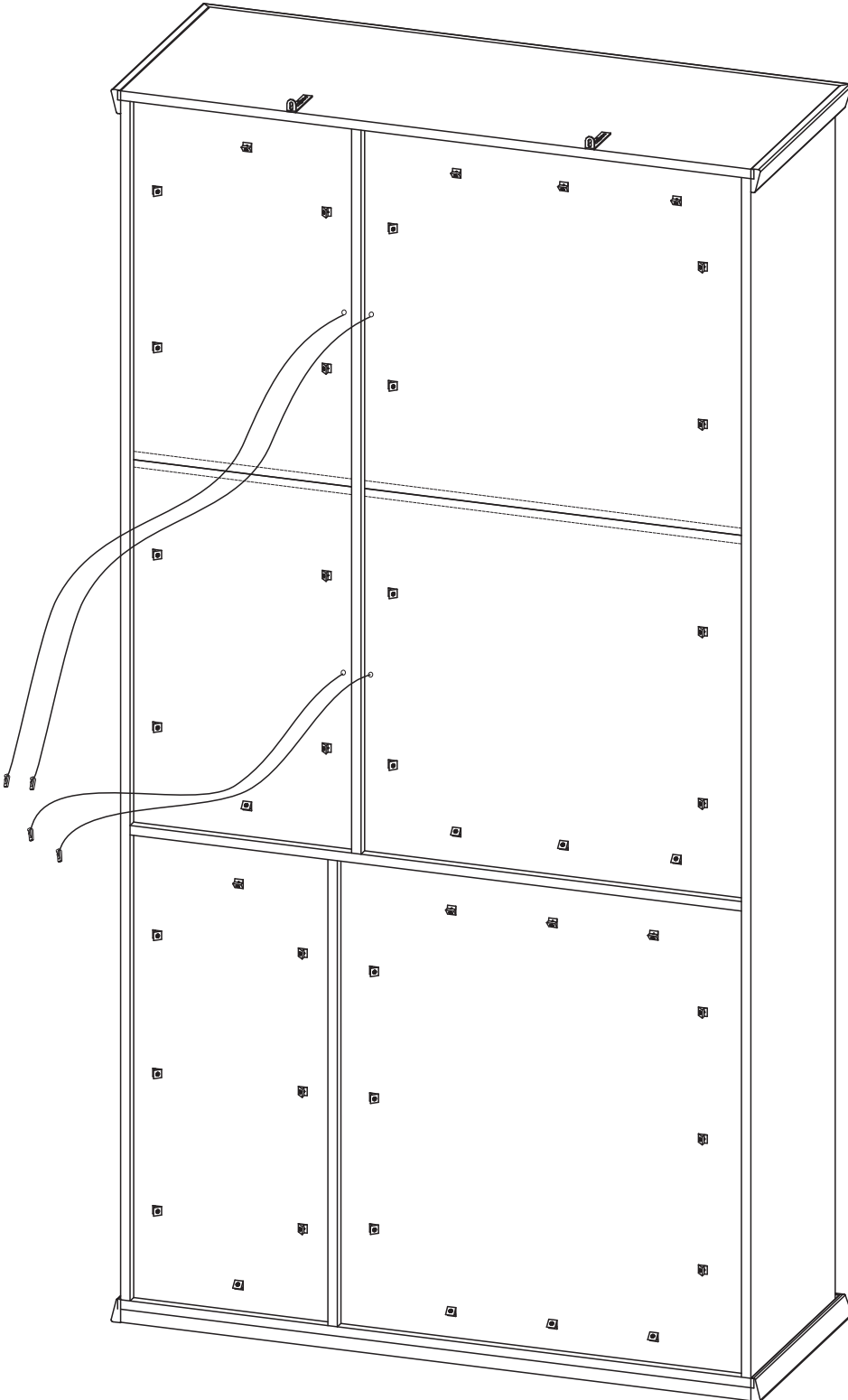
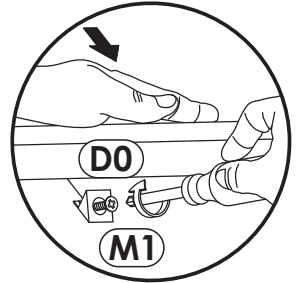
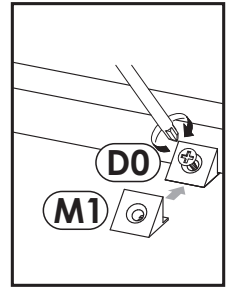


22 ▶



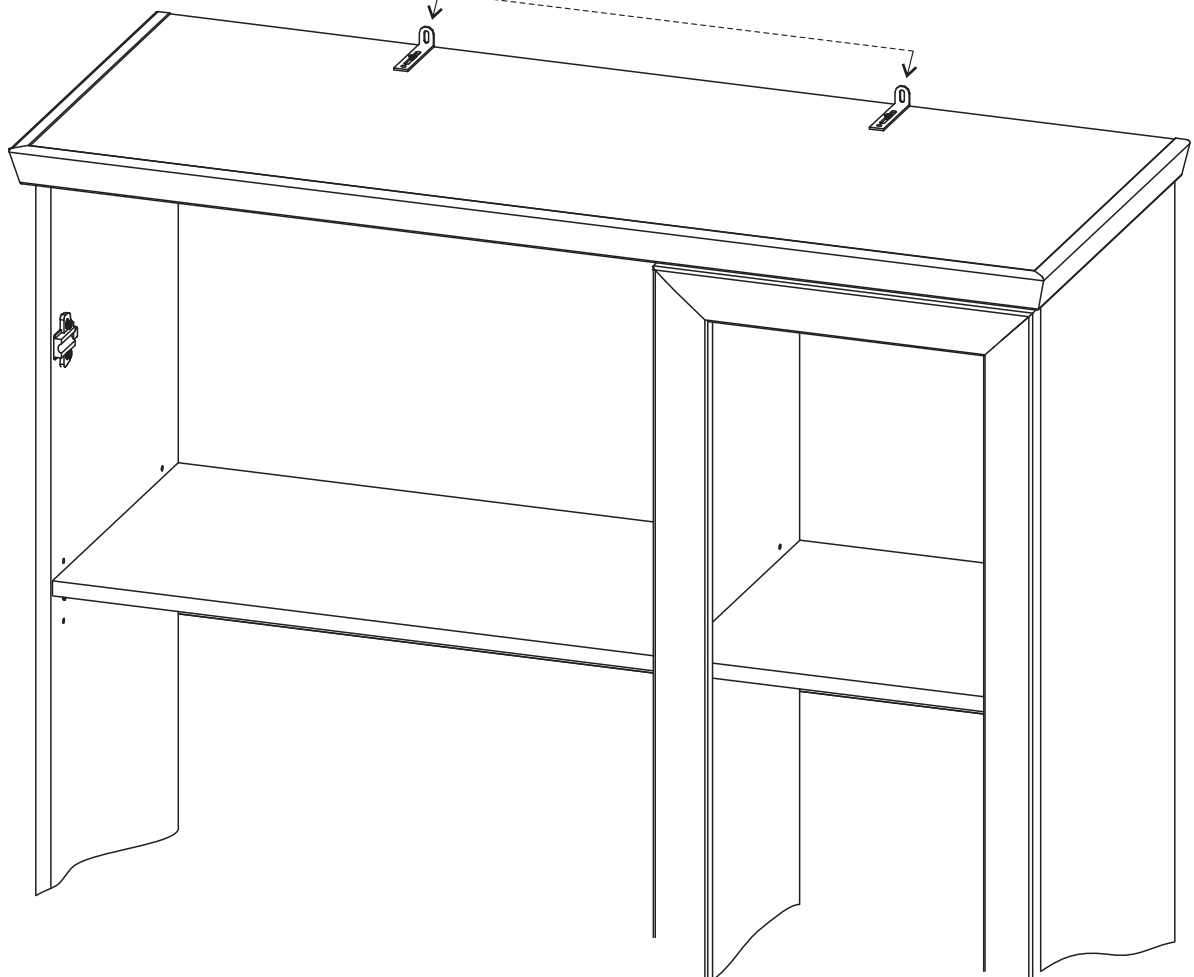
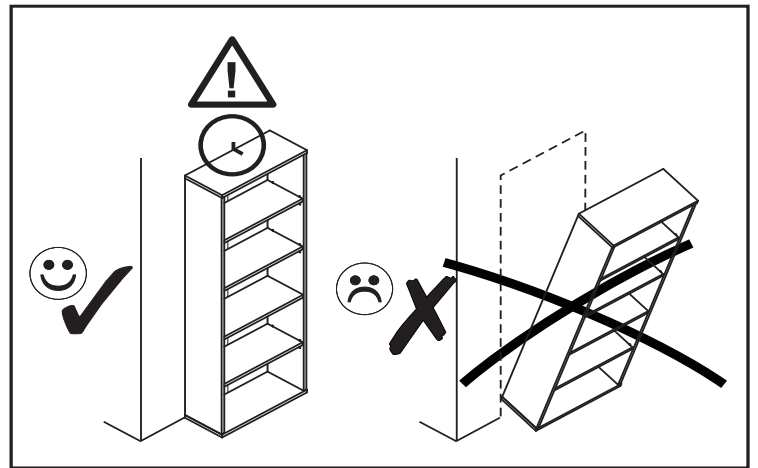
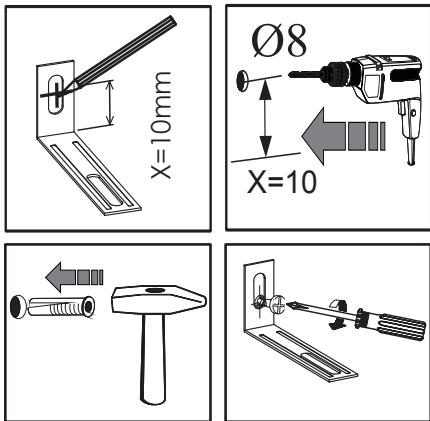
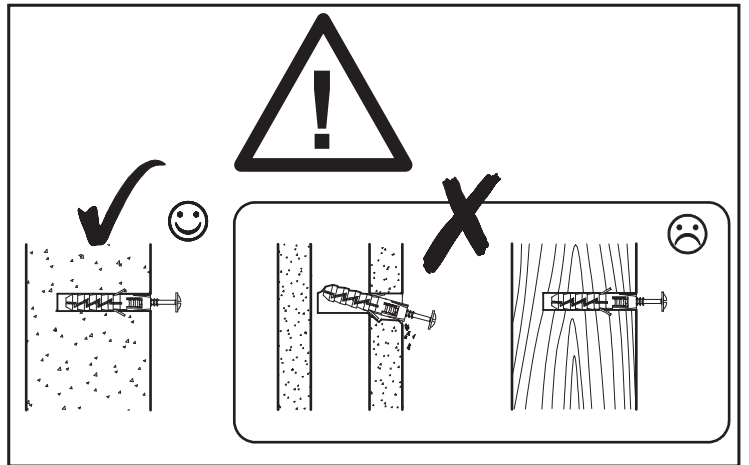
23 ▶

D0	3 x 15 mm	x44	M1	x44
-----------	-----------	------------	-----------	------------





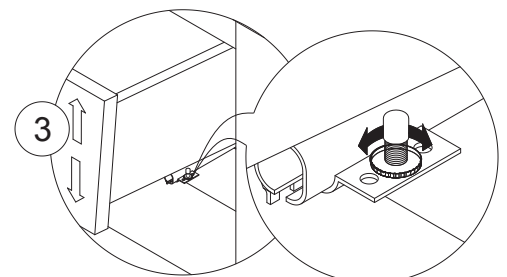
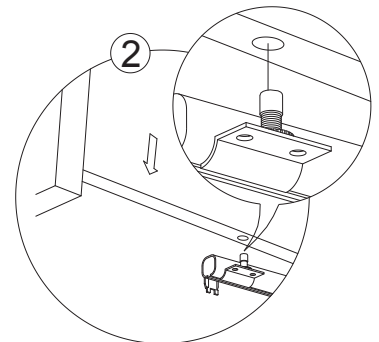
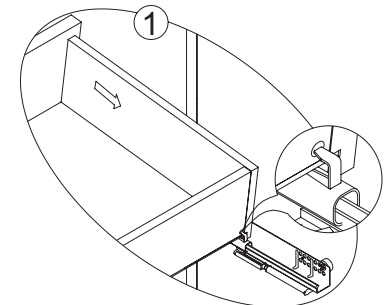
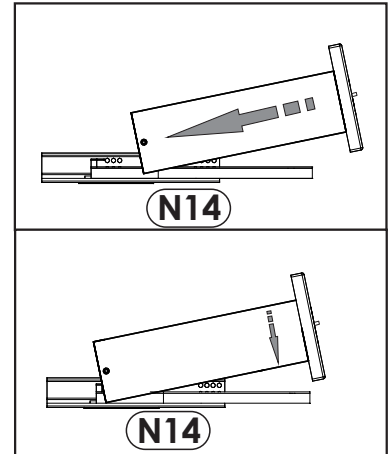
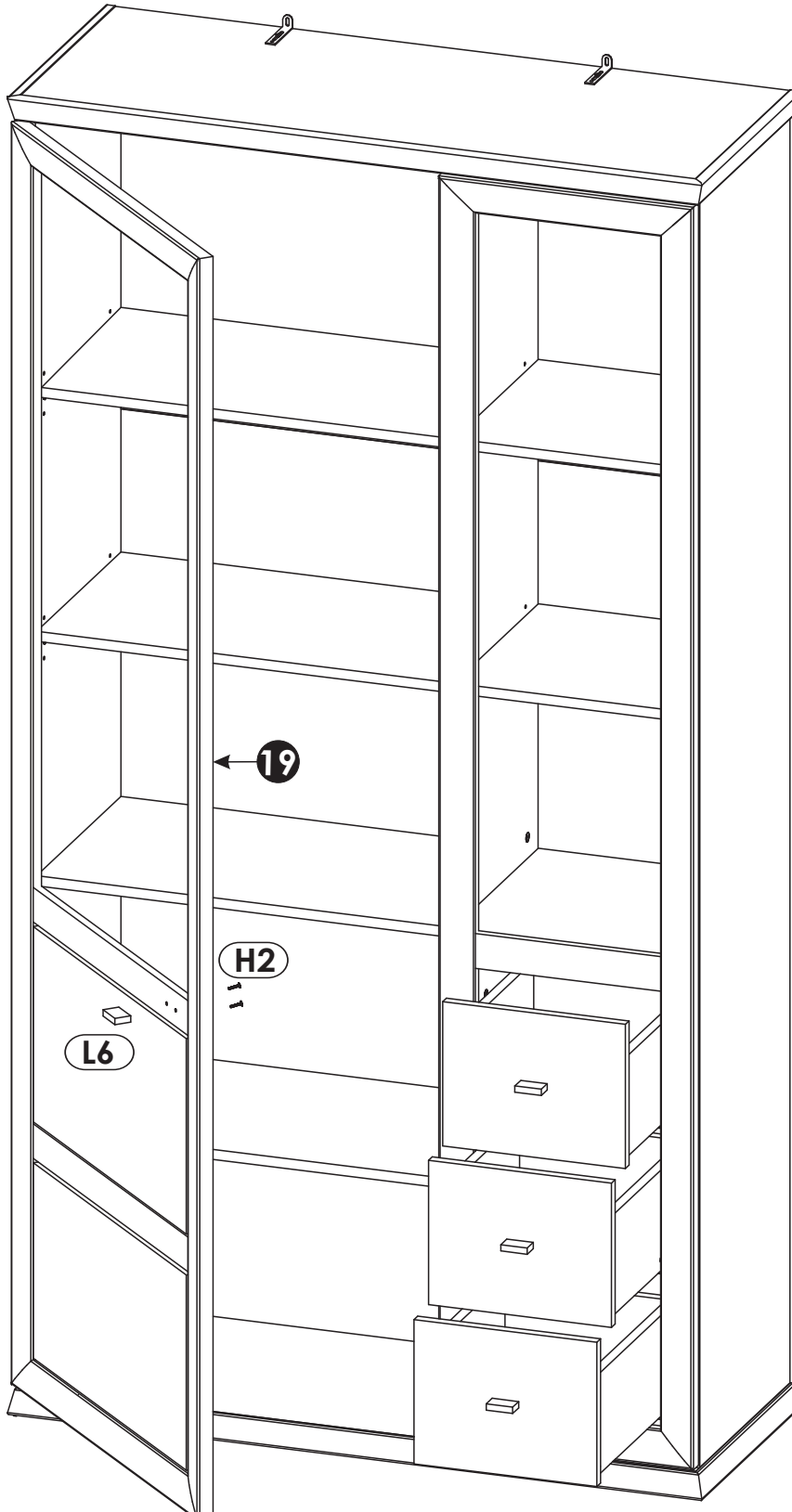
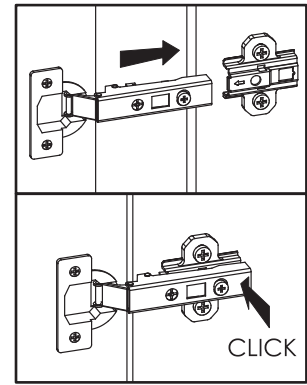
24 ▶

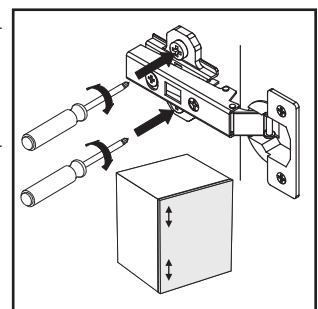
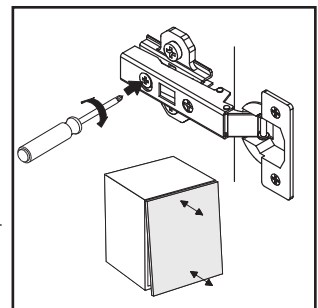
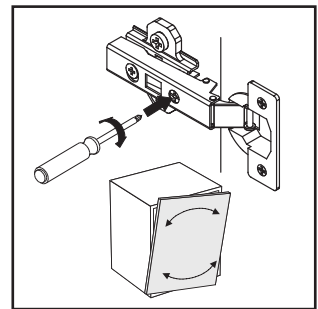
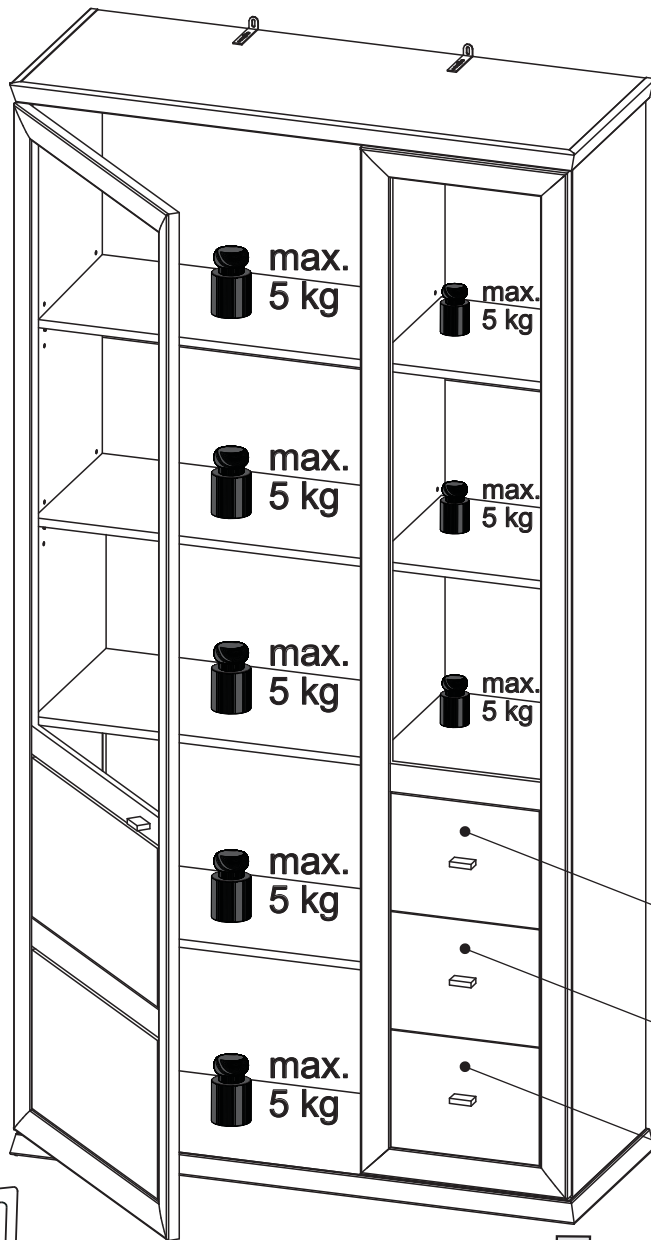
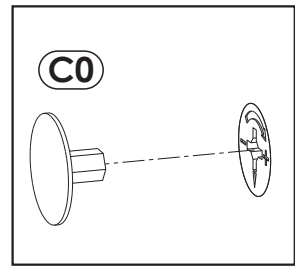
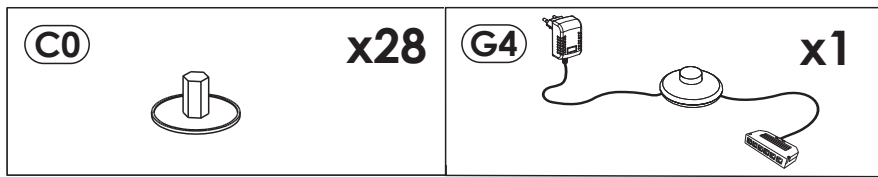
EO 5 x 50 mm x2
8 x 50 mm



25 ▶

H2	4 x 22 mm	x2	L6		x1
					





 **max. 5 kg**

 **max. 5 kg**

 **max. 5 kg**

