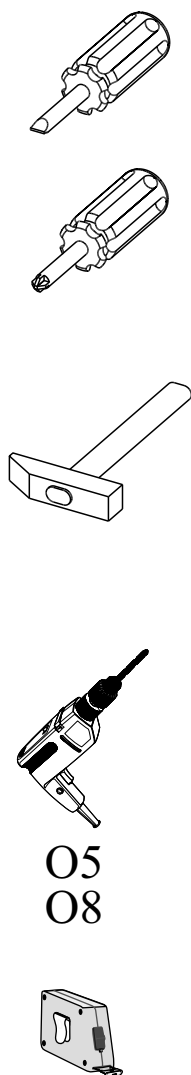
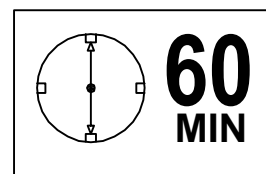
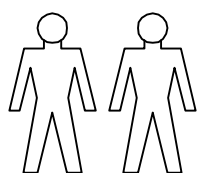


Wohnzimmer CAMRON / LAUREY

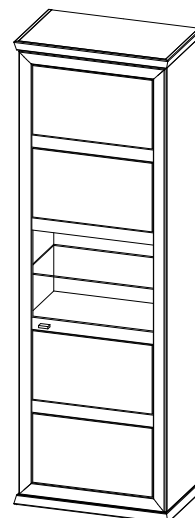


2092 mm

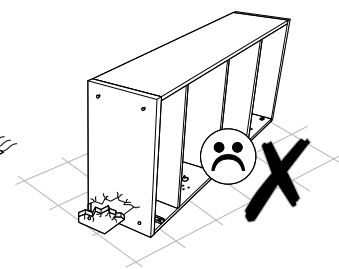
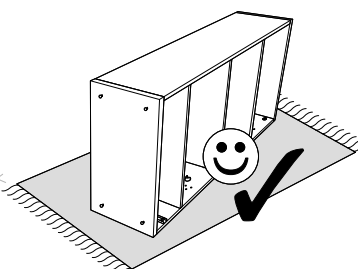
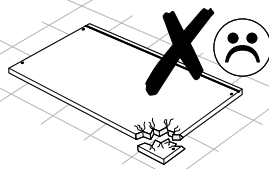
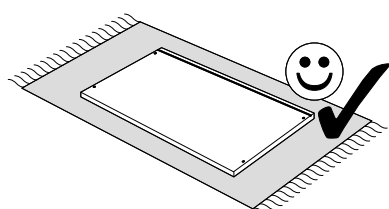
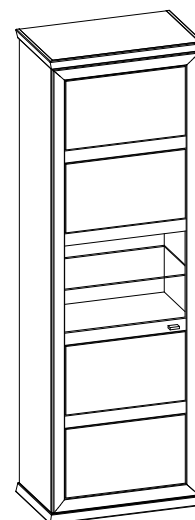
696 mm

430 mm

R


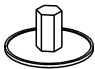


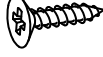
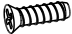
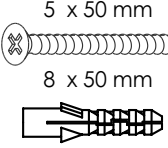

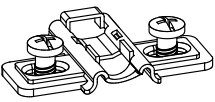
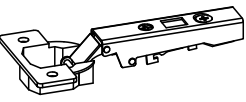

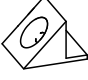
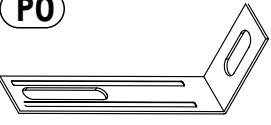

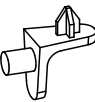



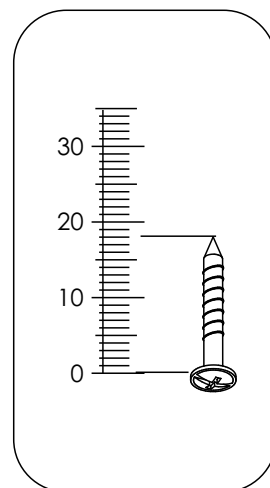
L



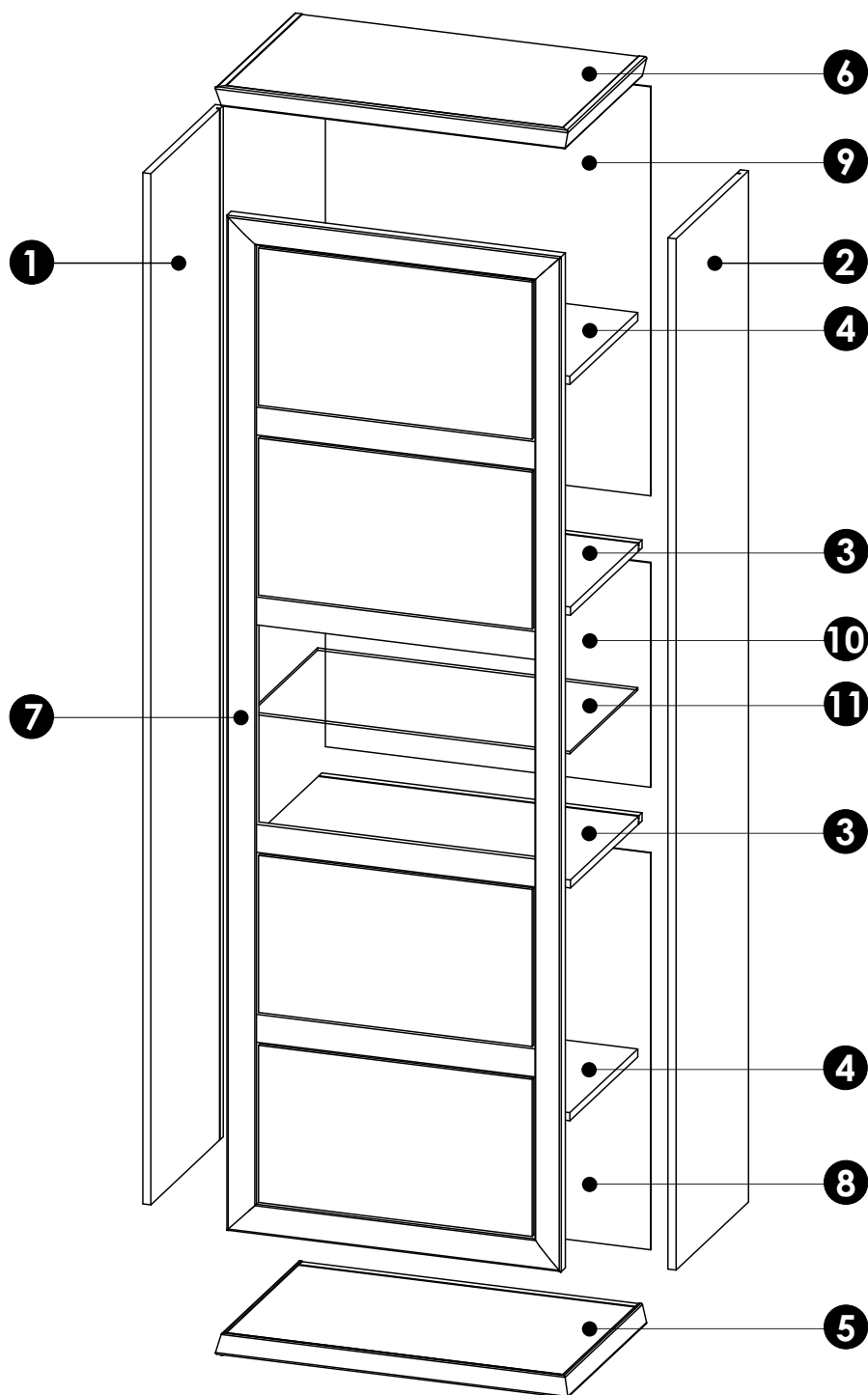
Wohnzimmer CAMRON / LAUREY


MM

B3 d8  x1	C0  x16	C2  x16
D0 3 x 15 mm  x28	D10 4 x 16 mm  x8	D21 5 x 13 mm  x1
E0 5 x 50 mm 8 x 50 mm  x1	H2 4 x 22 mm  x2	J3  x4
J10  x4	L6  x1	M1  x28
P0  x1	Q1  x4	Q3  x8
U2  x4		

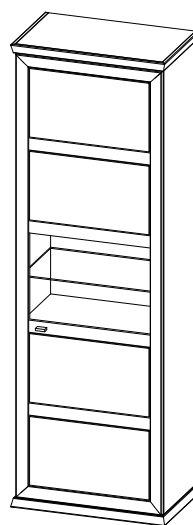


Wohnzimmer CAMRON / LAUREY

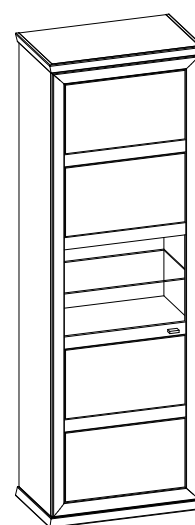


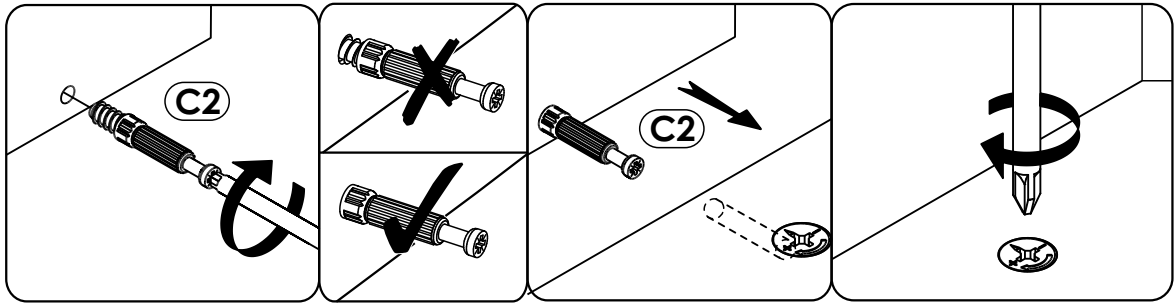
1	2036	393	16	x1	1/10
2	2036	393	16	x1	1/10
3	632	388	16	x2	1/10
4	632	368	16	x2	1/10
5	696	430	40	x1	2/10
6	696	430	40	x1	2/10
7	2004	660	25	x1	3/10
8	642	786	2,8	x1	3/10
9	642	804	2,8	x1	3/10
10	642	443	2,8	x1	3/10
11	631	358	5	x1	1/10
					1/10


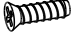
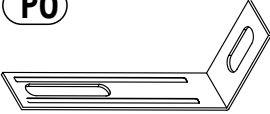
R

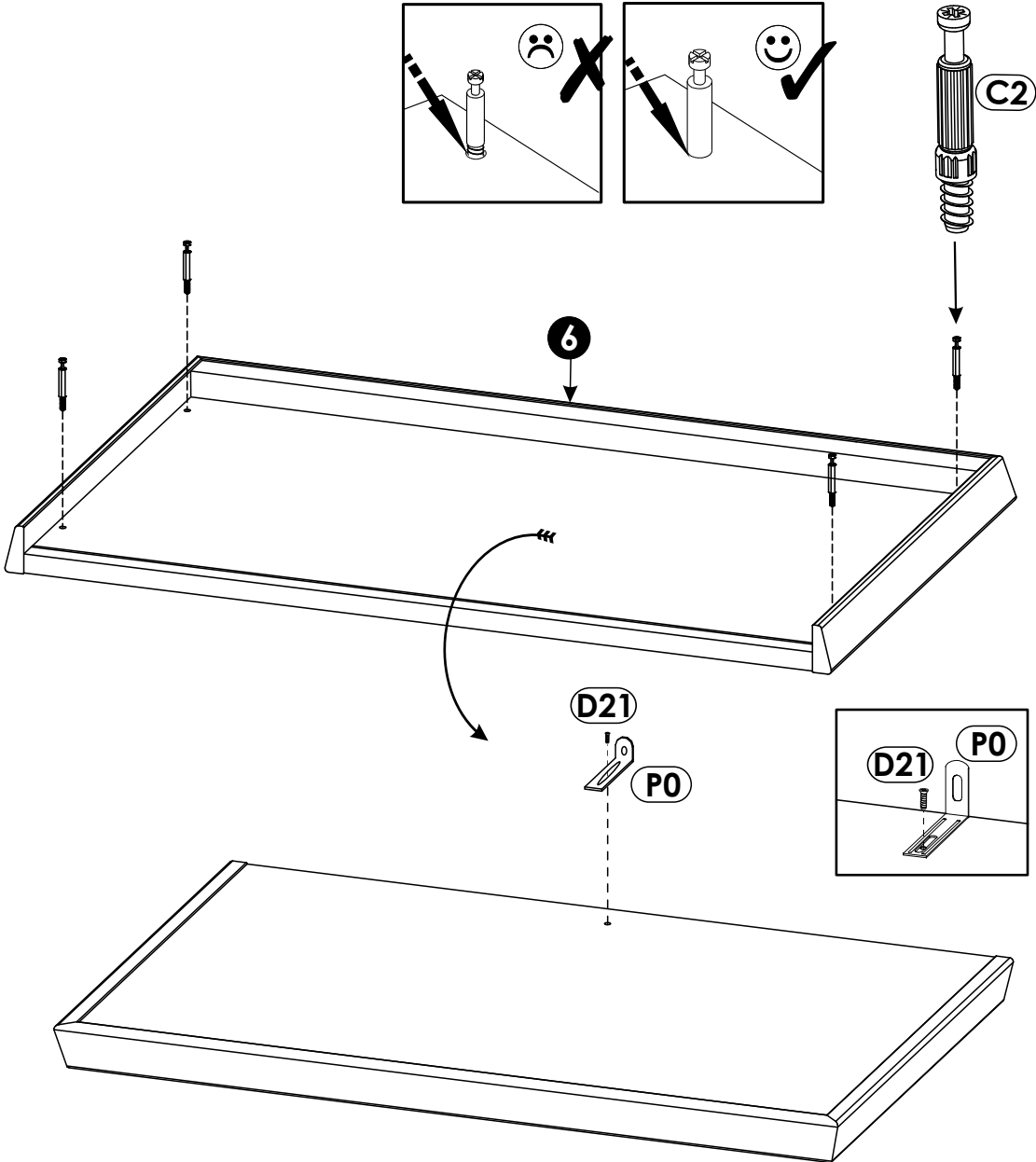
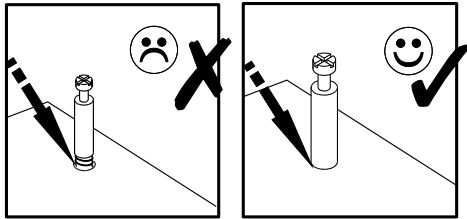


L

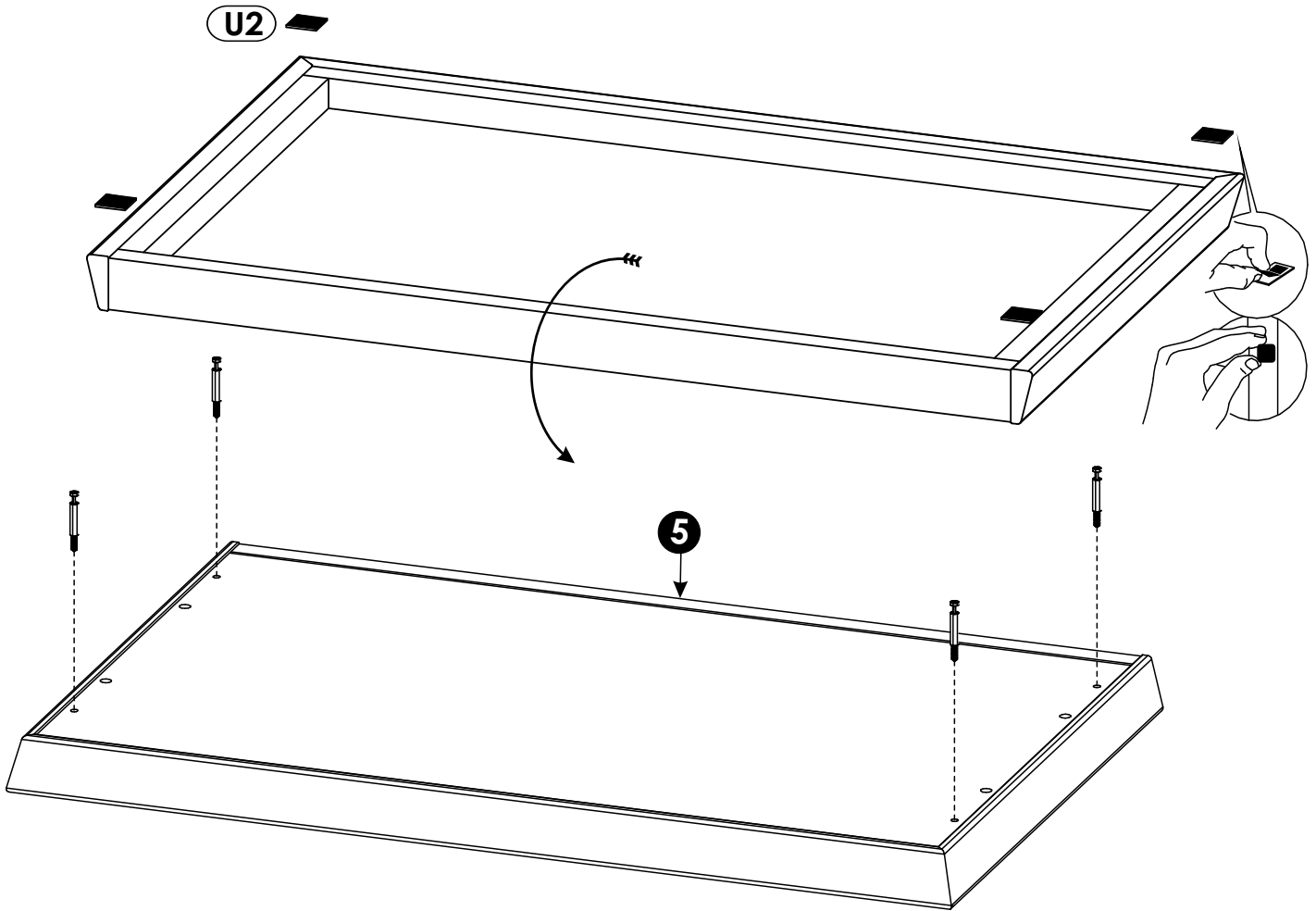
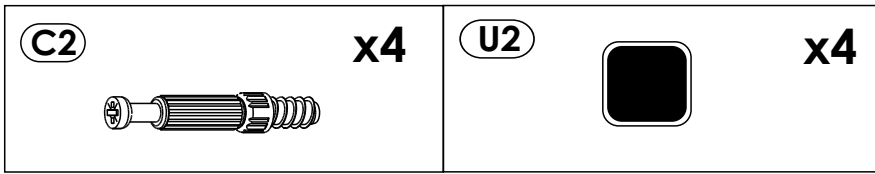



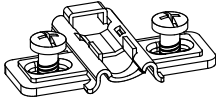
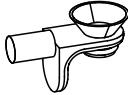


C2  x4	D21 5 x 13 mm  x1	P0  x1
---	---	---




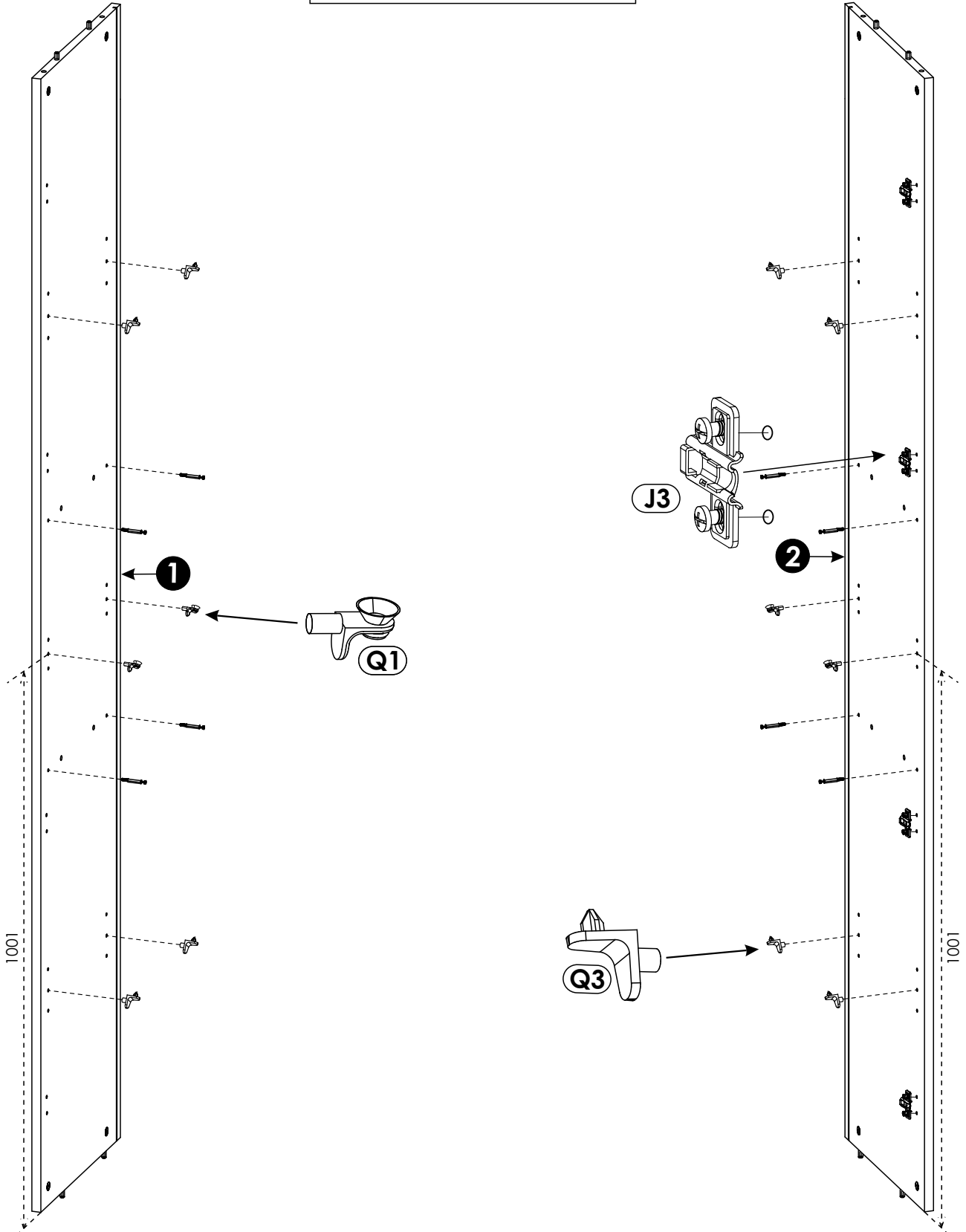
2 ▶



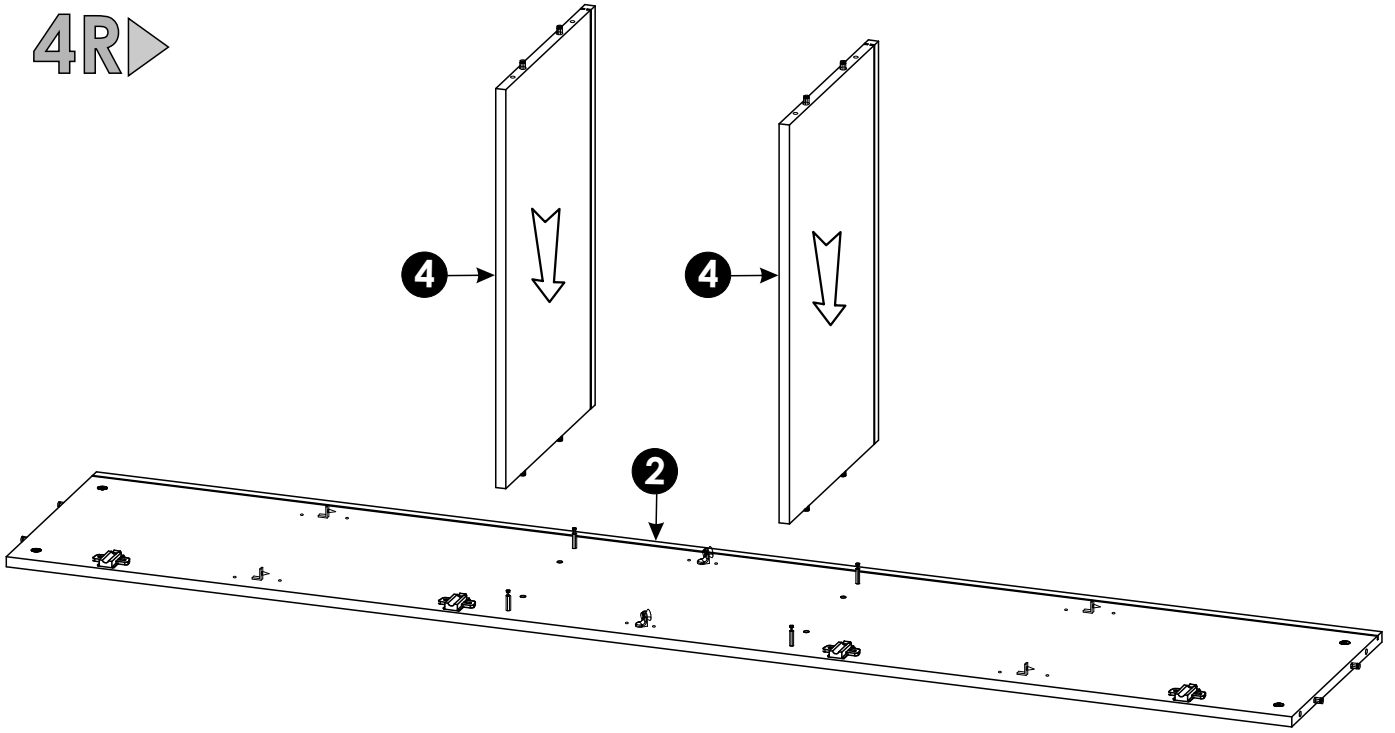
C2  x8	J3  x4	Q1  x4
---	---	---

3R ▶

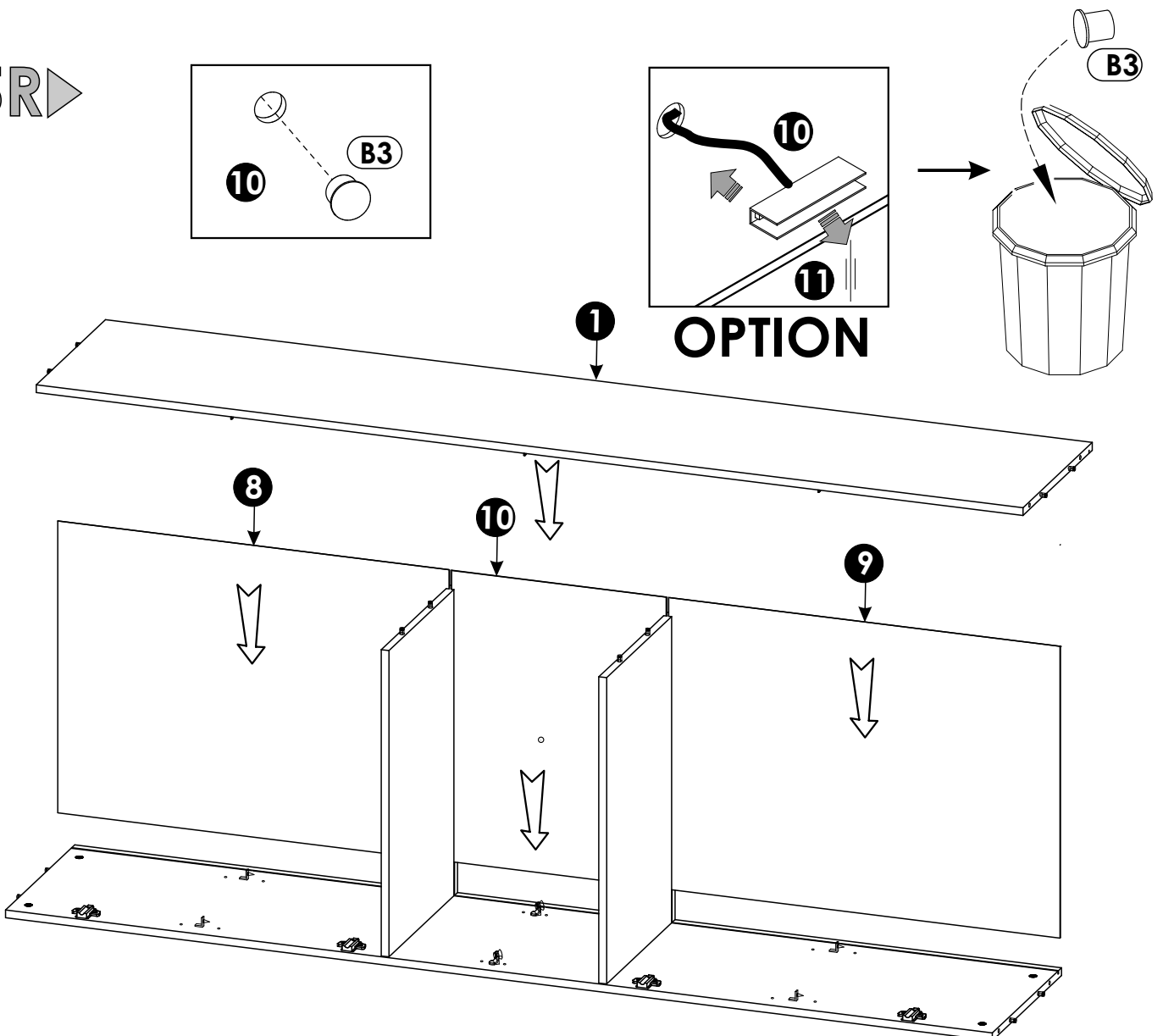
Q3  x8

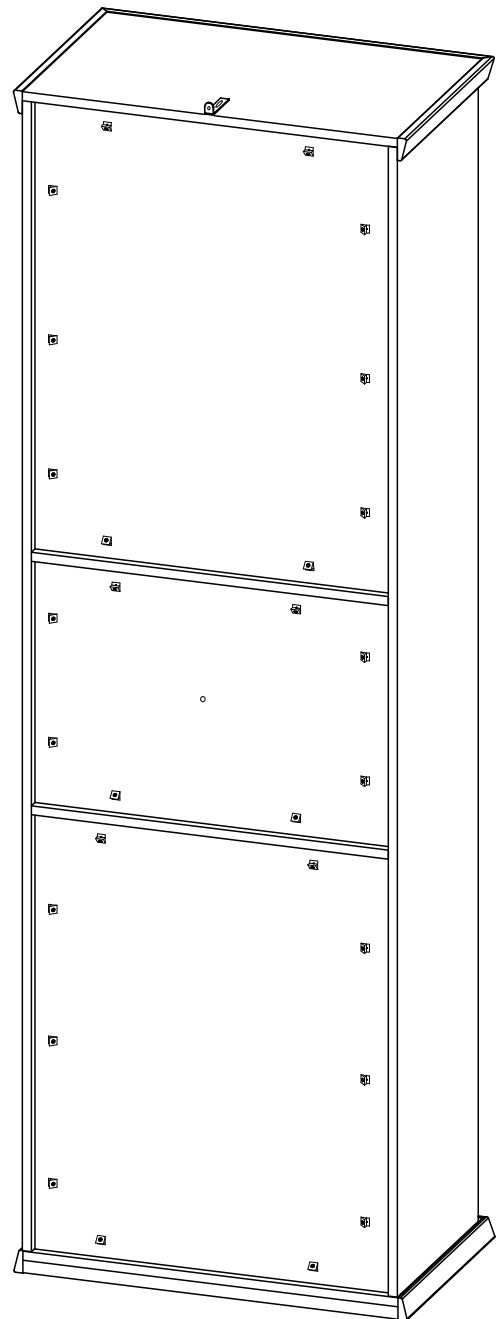
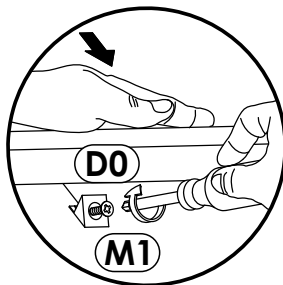
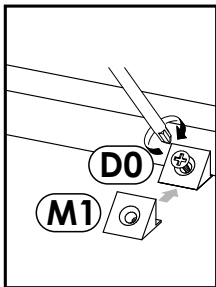
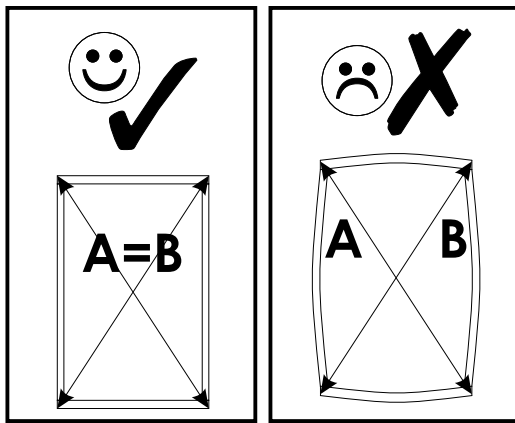
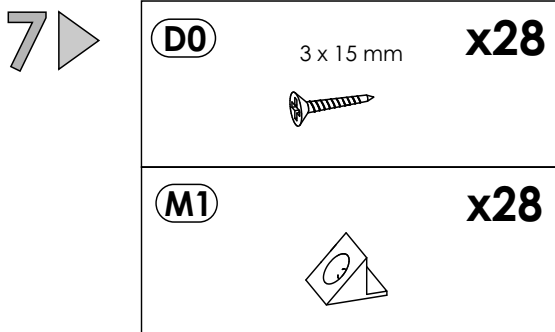
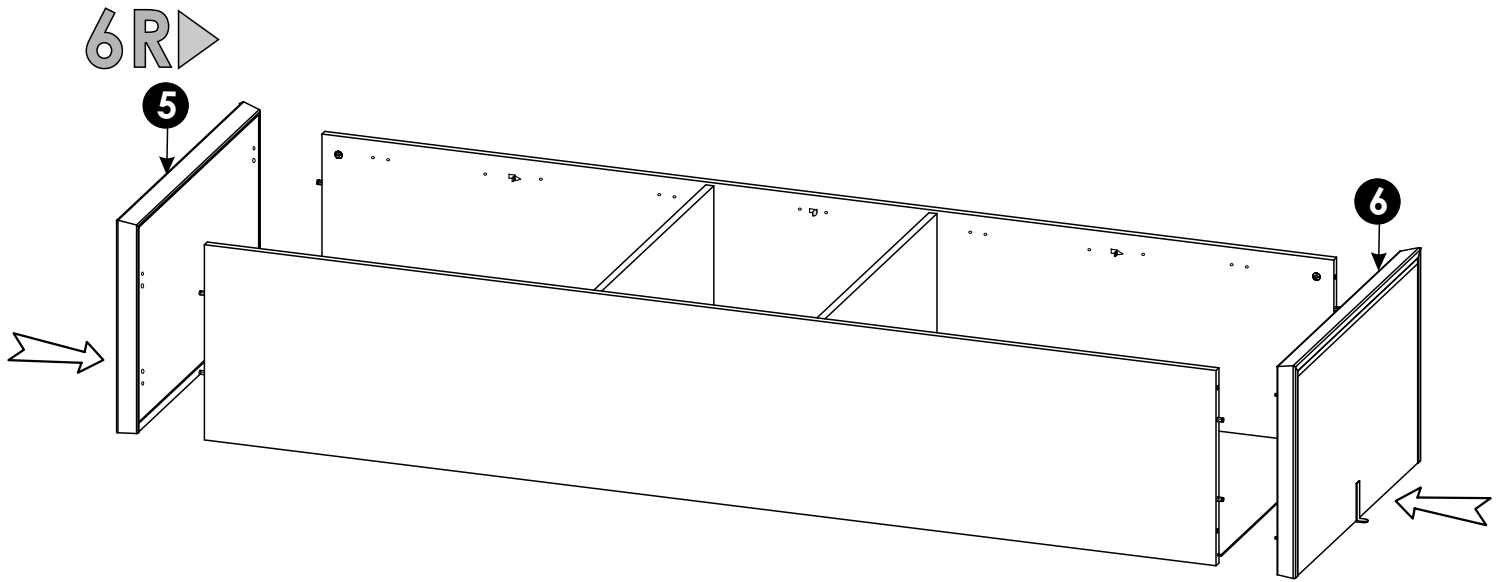


4R▶

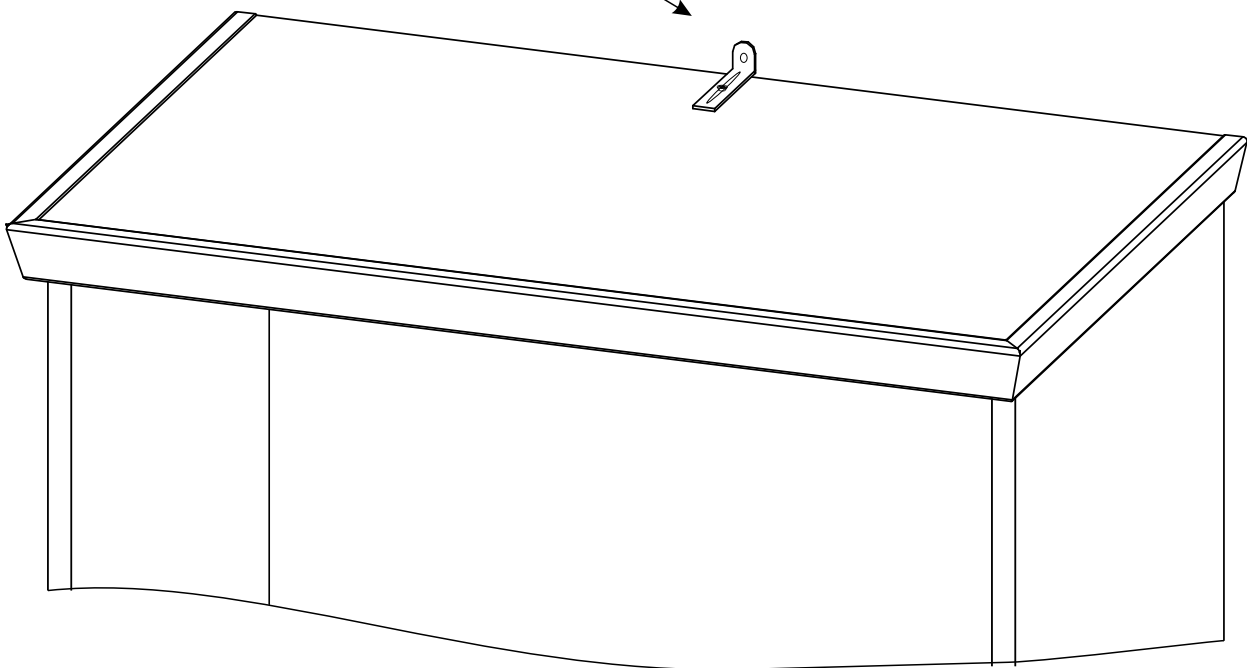
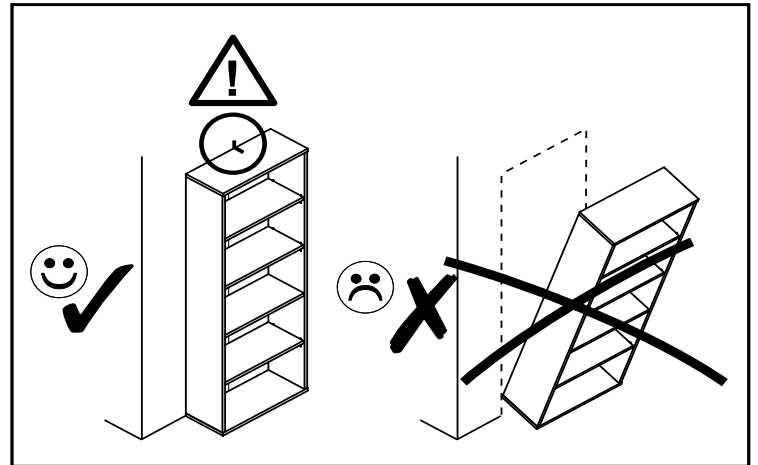
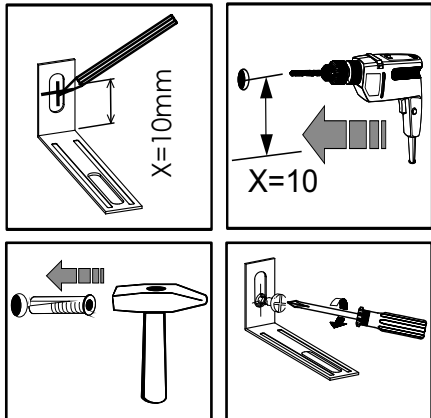
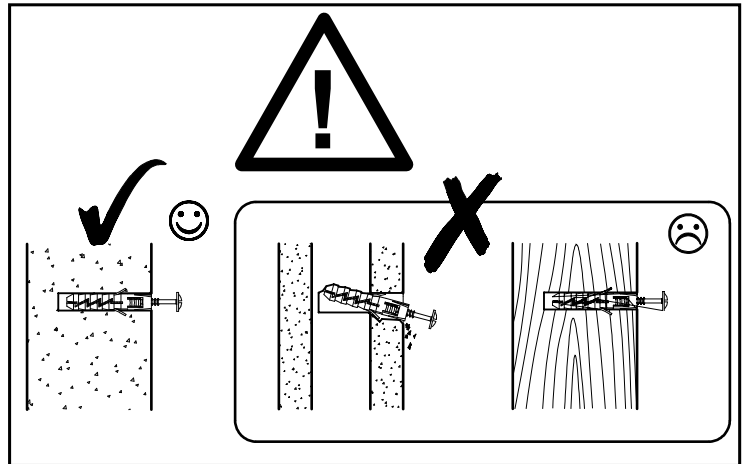
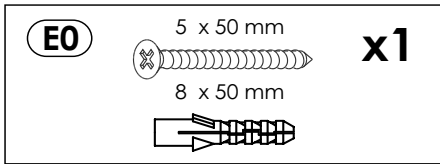


5R▶


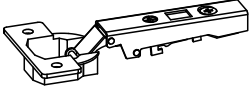


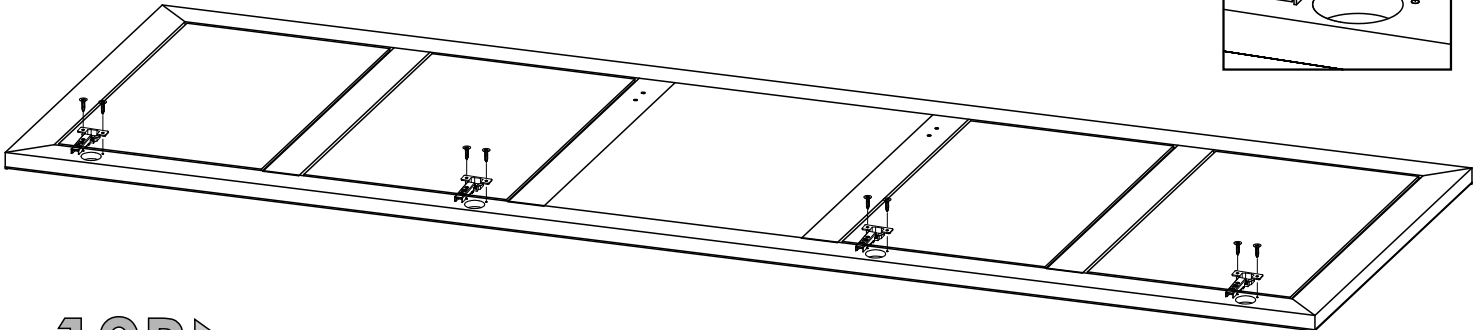
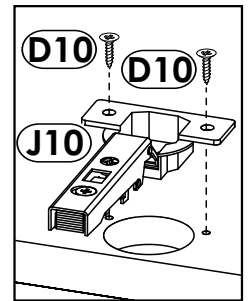


8 ▶

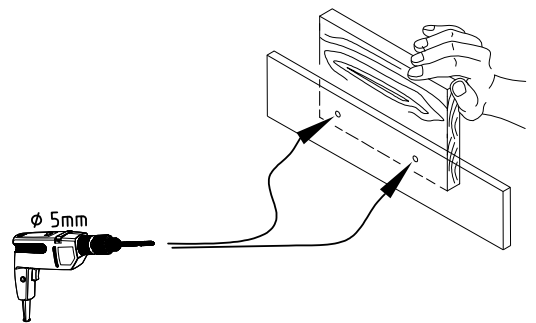
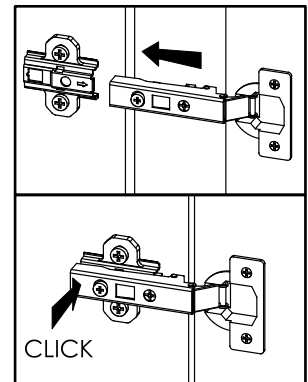
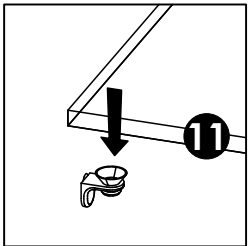
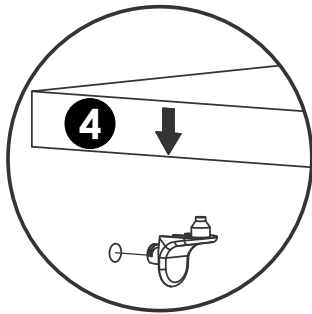


9 ▶

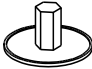


D10	4 x 16 mm	x8	J10	x4
				

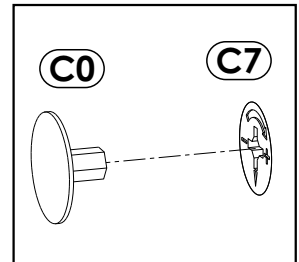
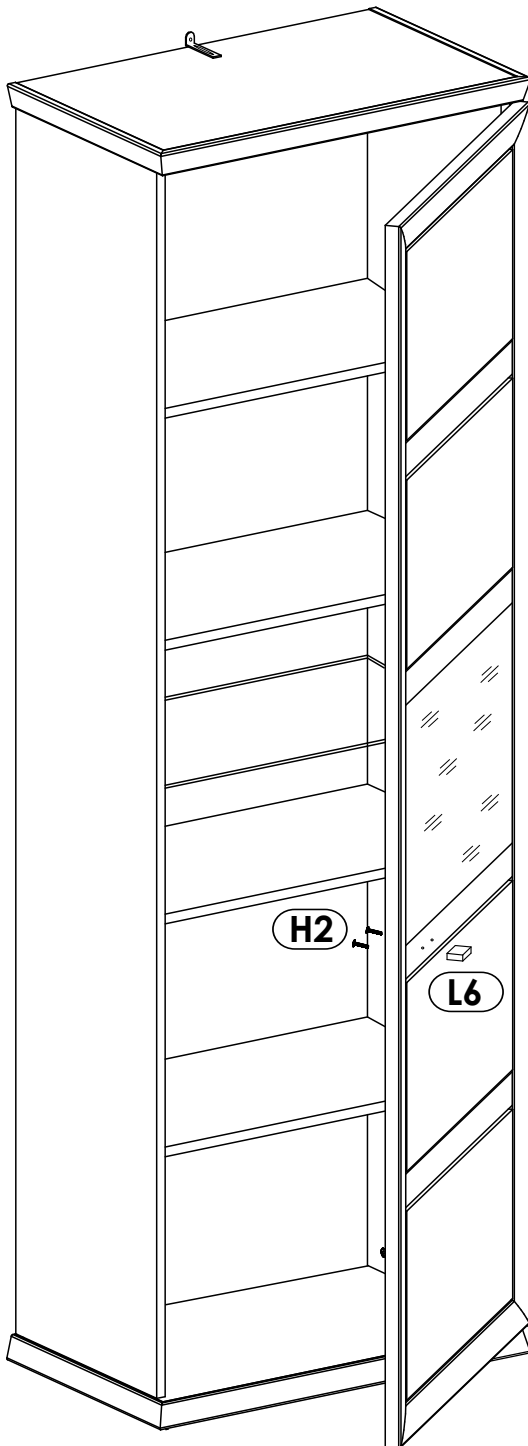



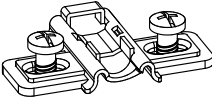

10R ▶



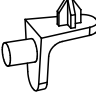
11R▶

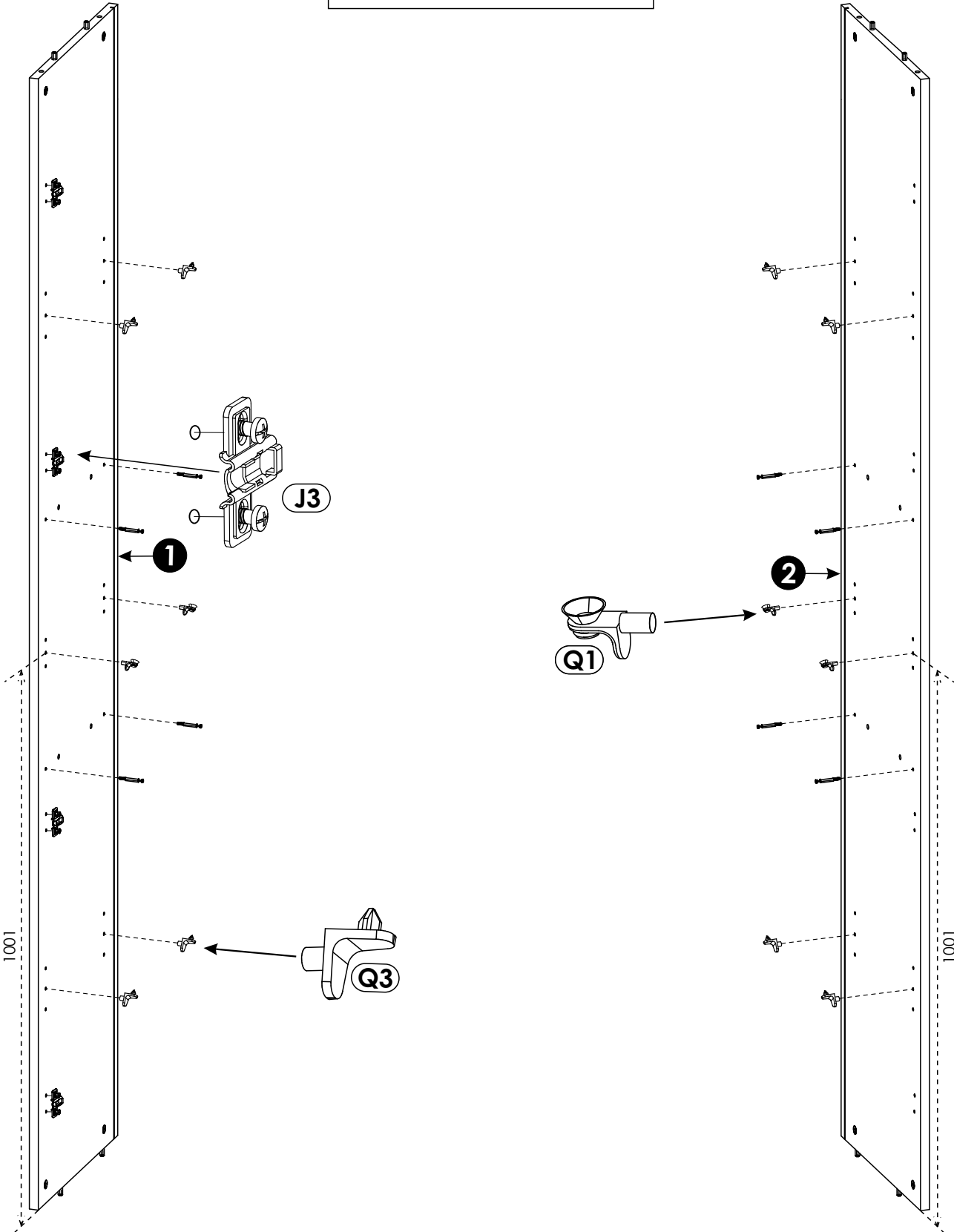
C0		x16	H2		x2	L6		x1
-----------	---	------------	-----------	---	-----------	-----------	---	-----------



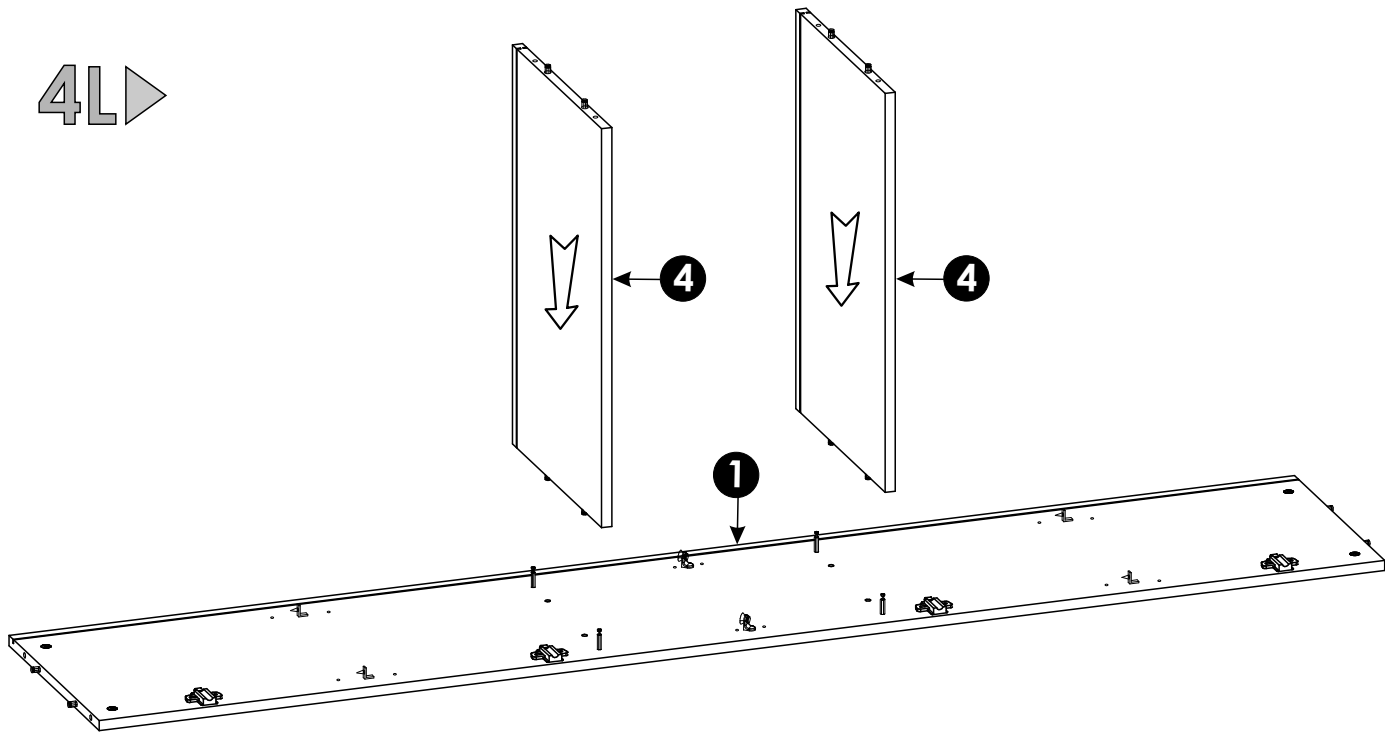
C2  x8	J3  x4	Q1  x4
---	---	---

3L ▶

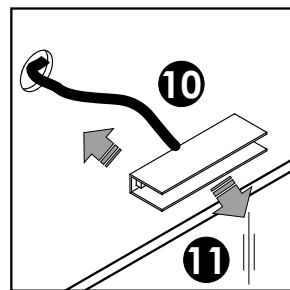
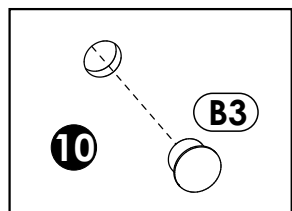
Q3  x8



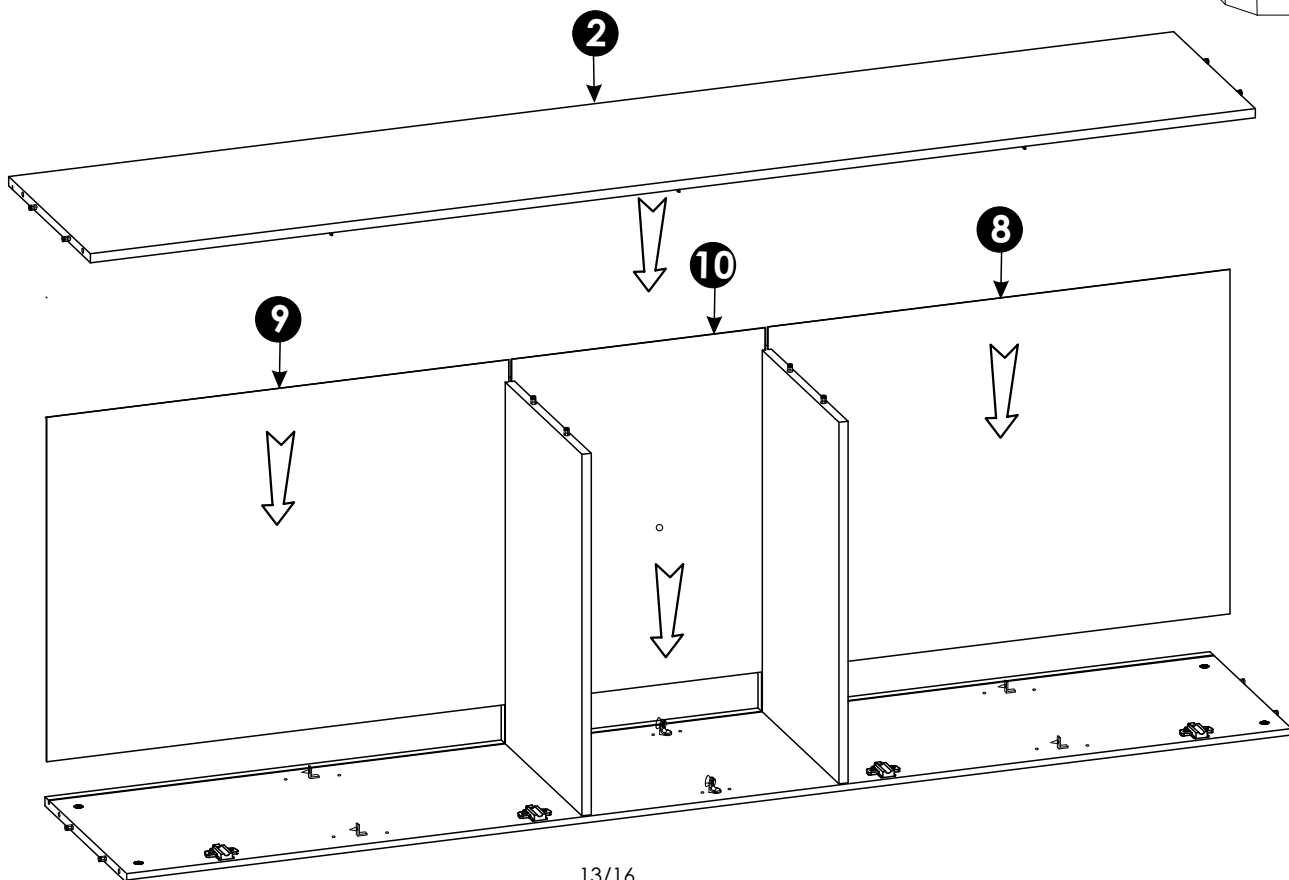
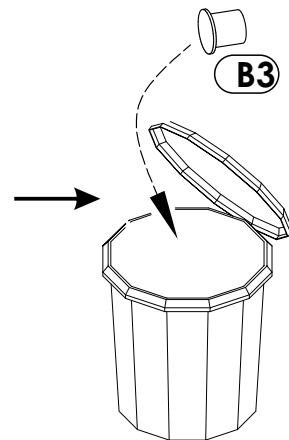
4L ▶

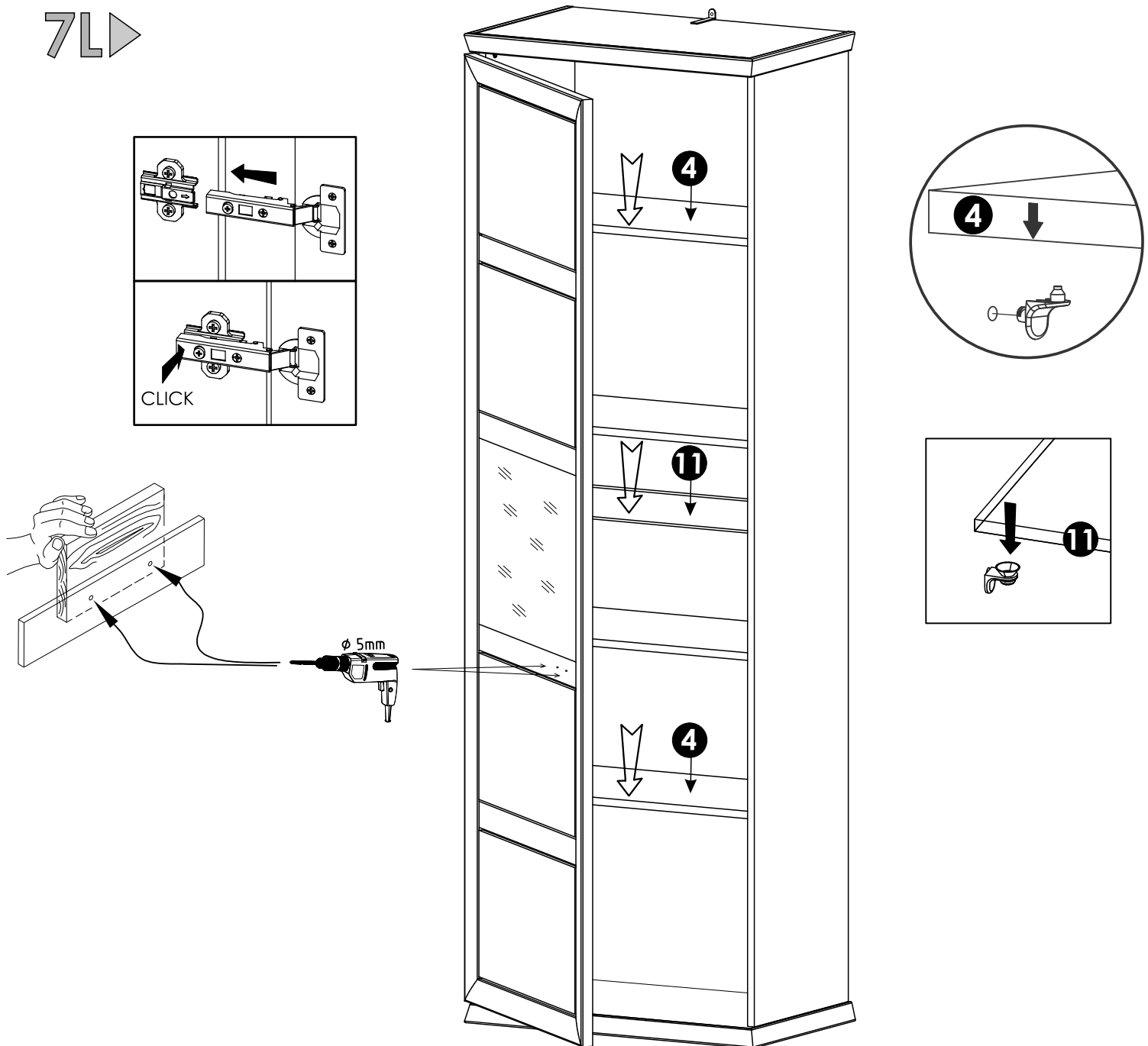
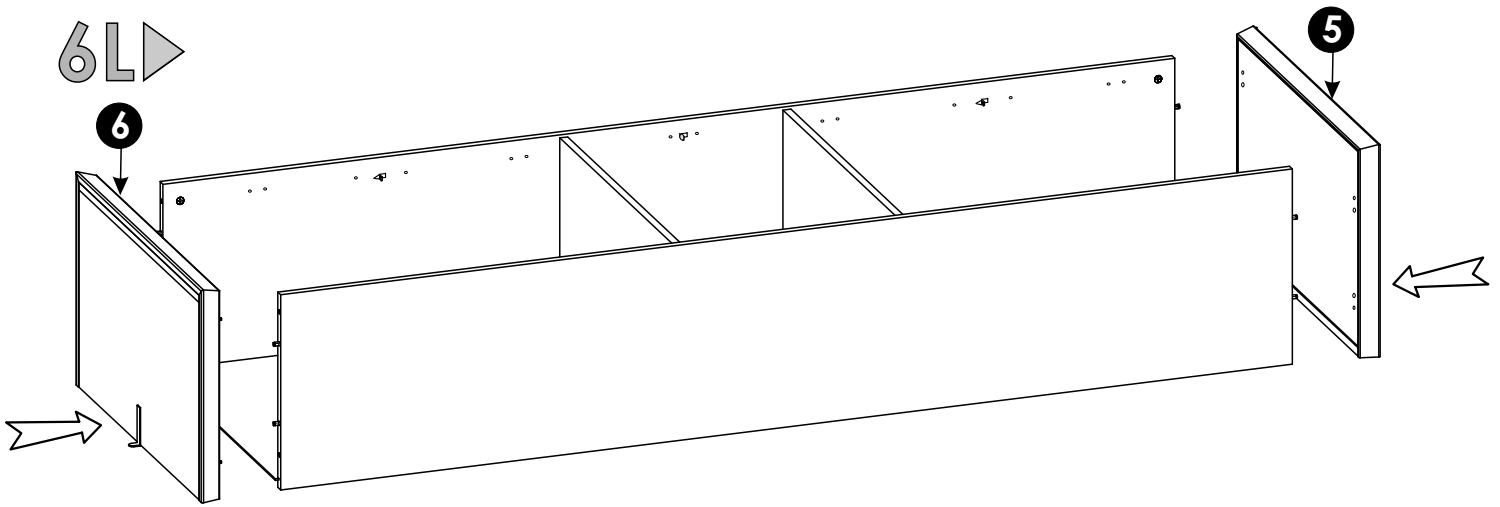


5L ▶

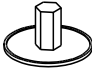




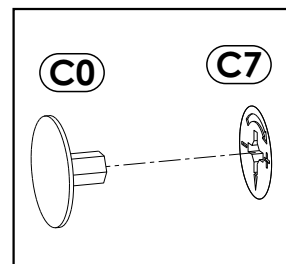
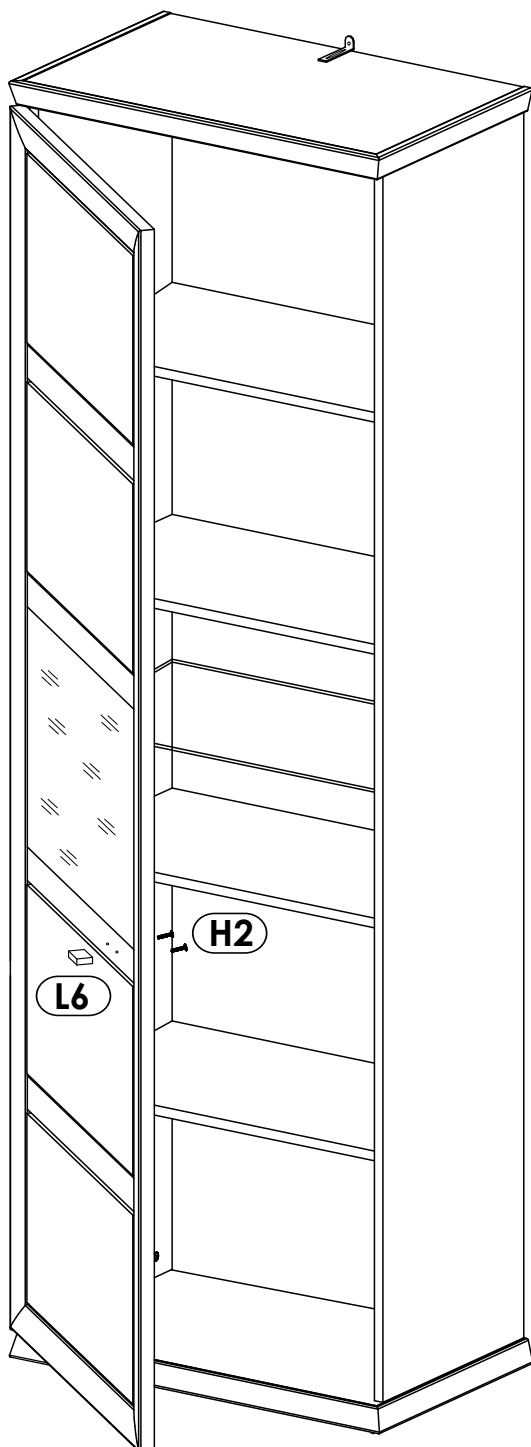
OPTION





11L ▶

C0		x16	H2		x2	L6		x1
-----------	---	------------	-----------	---	-----------	-----------	---	-----------



12 ▶

