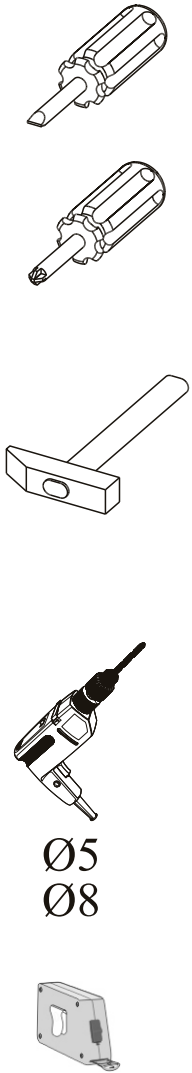
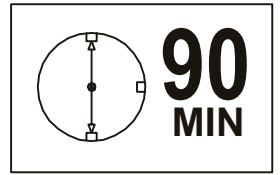
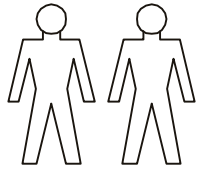


CAMRON/ LAUREY - VITRINE 2T3L

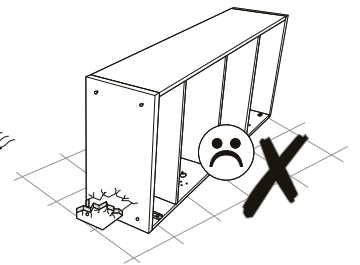
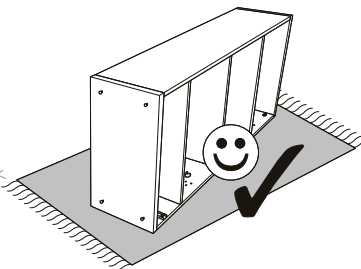
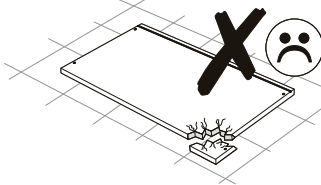
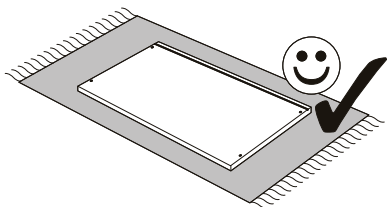


Ø5
Ø8

2092 mm

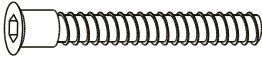






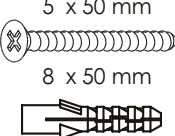



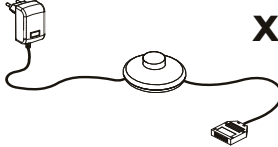

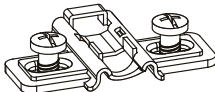
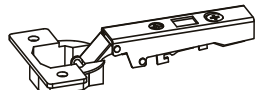
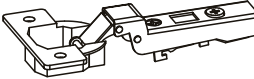
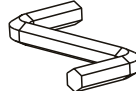


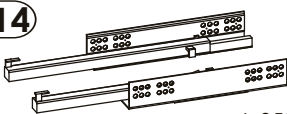
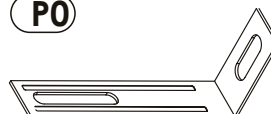
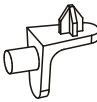

1102 mm

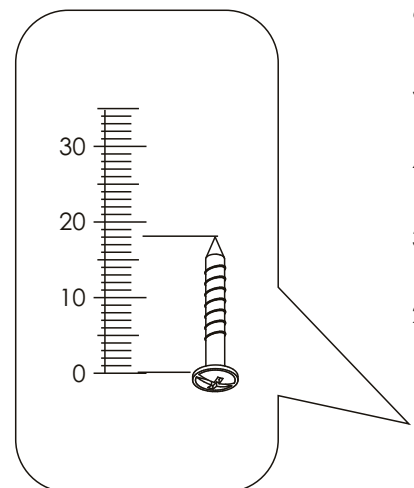
428 mm



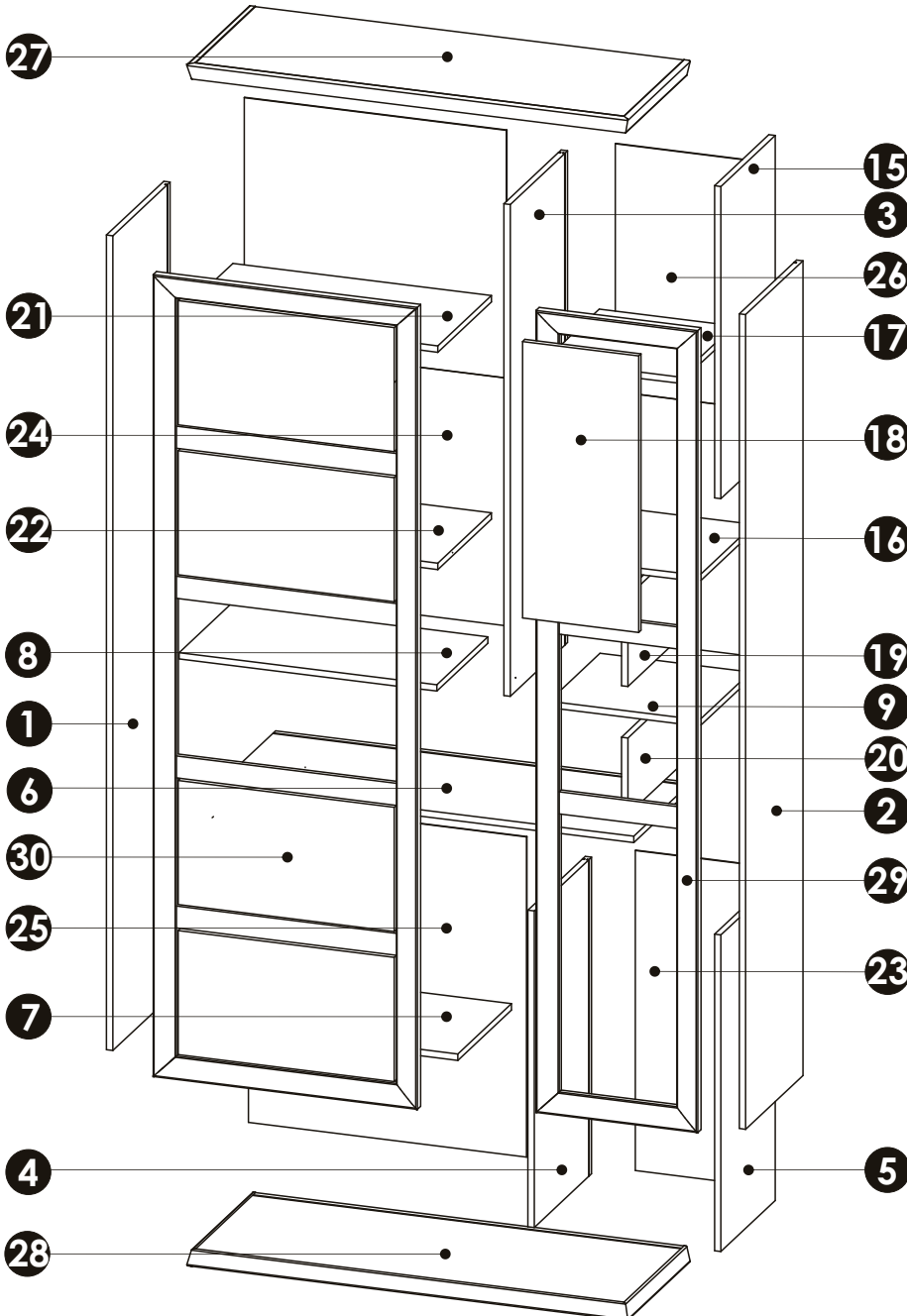
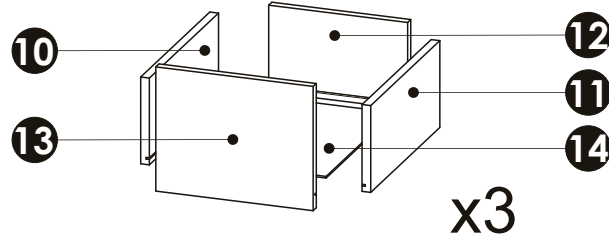
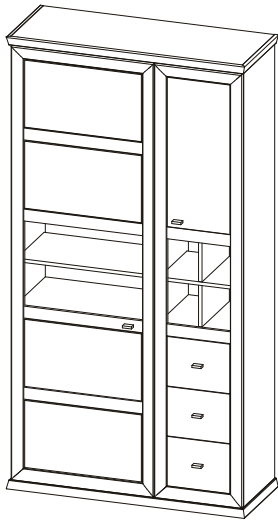
CAMRON/ LAUREY - VITRINE 2T3L

MM

B1 f 7 x 50 mm x18 	C0  x36	C2  x50
D0 3 x 15 mm x61 	D10 4 x 16 mm x12 	D21 5 x 13 mm x2 
D31 6,3 x 13 mm x24 	E0 5 x 50 mm 8 x 50 mm x2 	G1  L=638 x1
G2  L=374 x1	G3  x5	G5  x1
H2 4 x 22 mm x10 	J3  x6	J10  x4
J18  x2	K 4mm  x1	L6  x5
M1  x56	N14  L-350mm x3	P0  x2
Q3  x16	U2  x6	

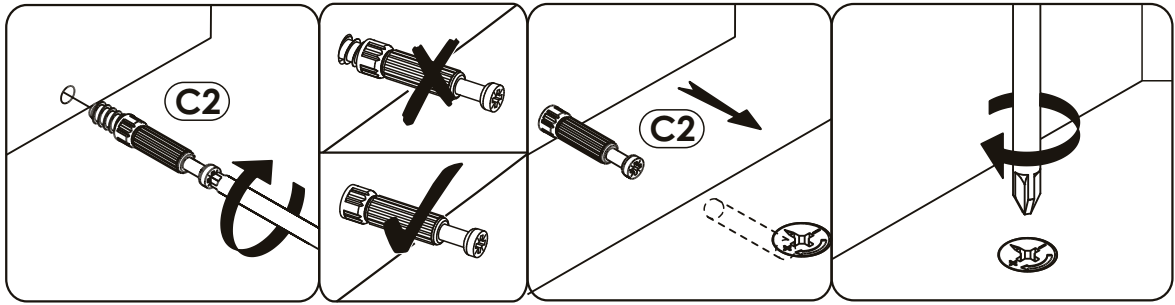




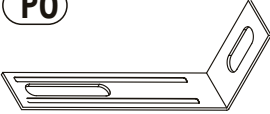
CAMRON/ LAUREY - VITRINE 2T3L

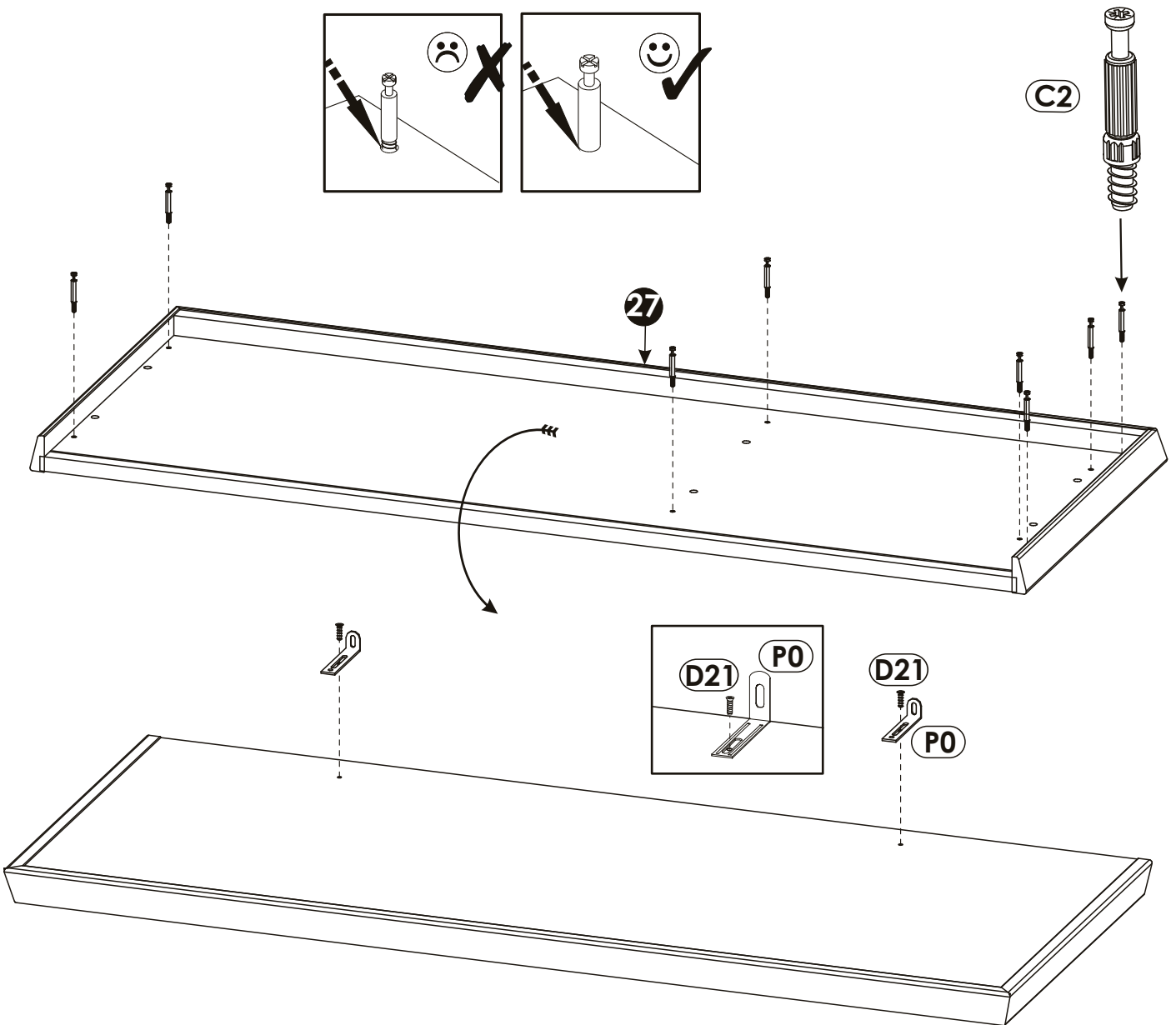
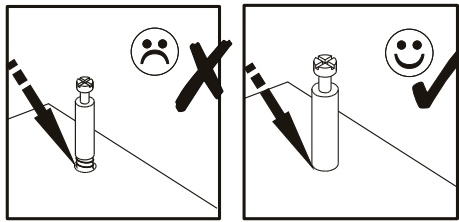


1	2036	393	16 x1	1/5
2	2036	393	16 x1	1/5
3	1229	393	16 x1	2/5
4	791	393	16 x1	2/5
5	791	373	16 x1	1/5
6	1038	393	16 x1	2/5
7	686	373	16 x1	2/5
8	646	350	16 x1	2/5
9	376	350	16 x1	2/5
10	350	160	16 x3	1/5
11	350	160	16 x3	1/5
12	256	157	16 x3	2/5
13	290	229	16 x3	2/5
14	344	266	2.8 x3	1/5
15	780	373	16 x1	1/5
16	376	373	16 x1	1/5
17	336	373	16 x1	1/5
18	290	691	16 x1	1/5
19	225	348	16 x1	2/5
20	192	348	16 x1	2/5
21	646	373	16 x1	2/5
22	646	373	16 x1	2/5
23	345	800	2.8 x1	1/5
24	655	1238	2.8 x1	4/5
25	695	800	2.8 x1	4/5
26	385	1238	2.8 x1	5/5
27	1102	428	40 x1	3/5
28	1102	428	40 x1	3/5
29	2004	404	25 x1	5/5
30	2004	660	25 x1	4/5
				2/5

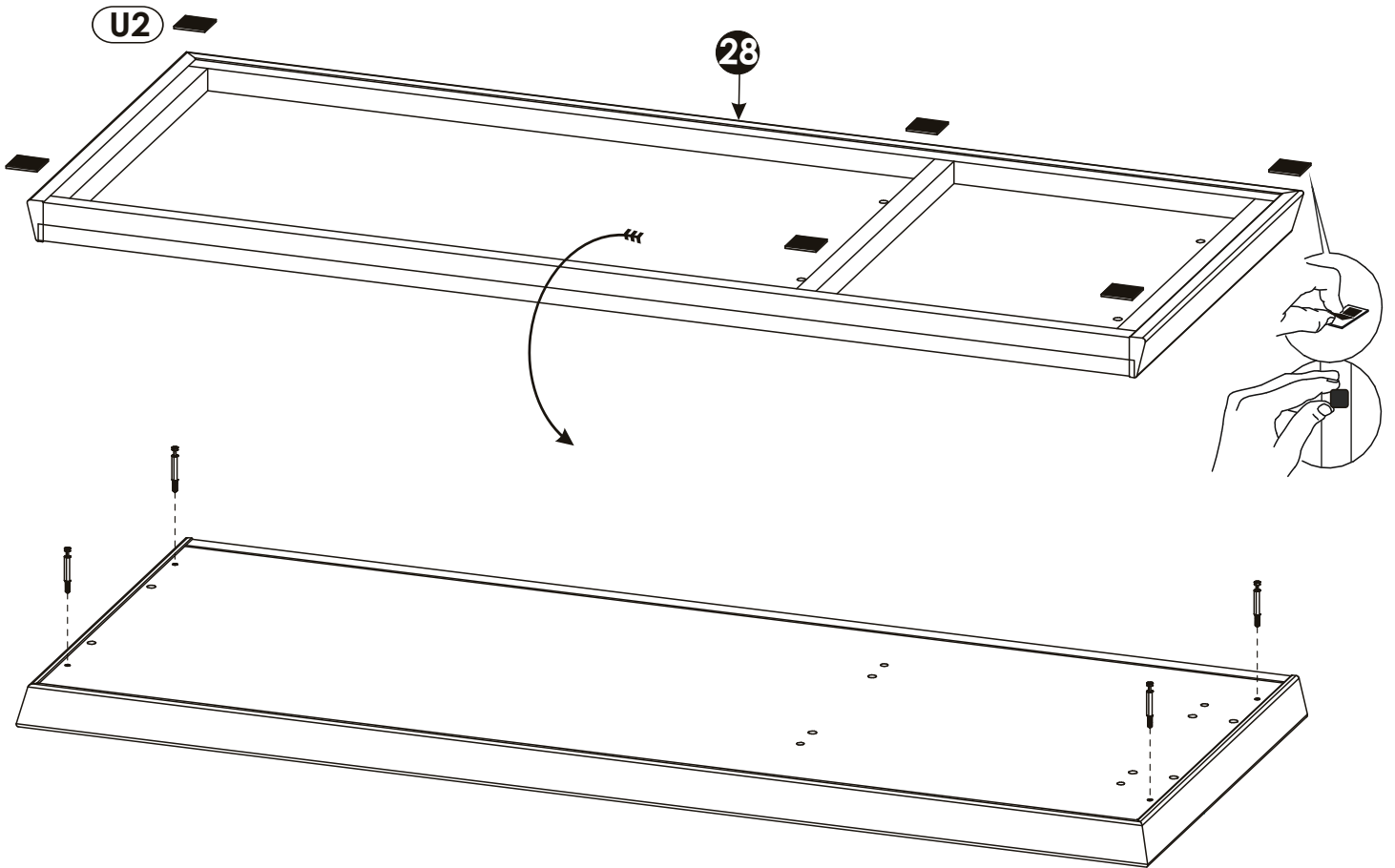
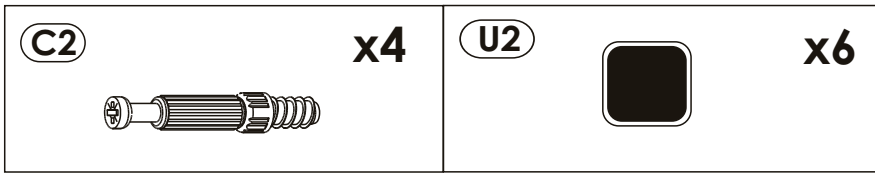




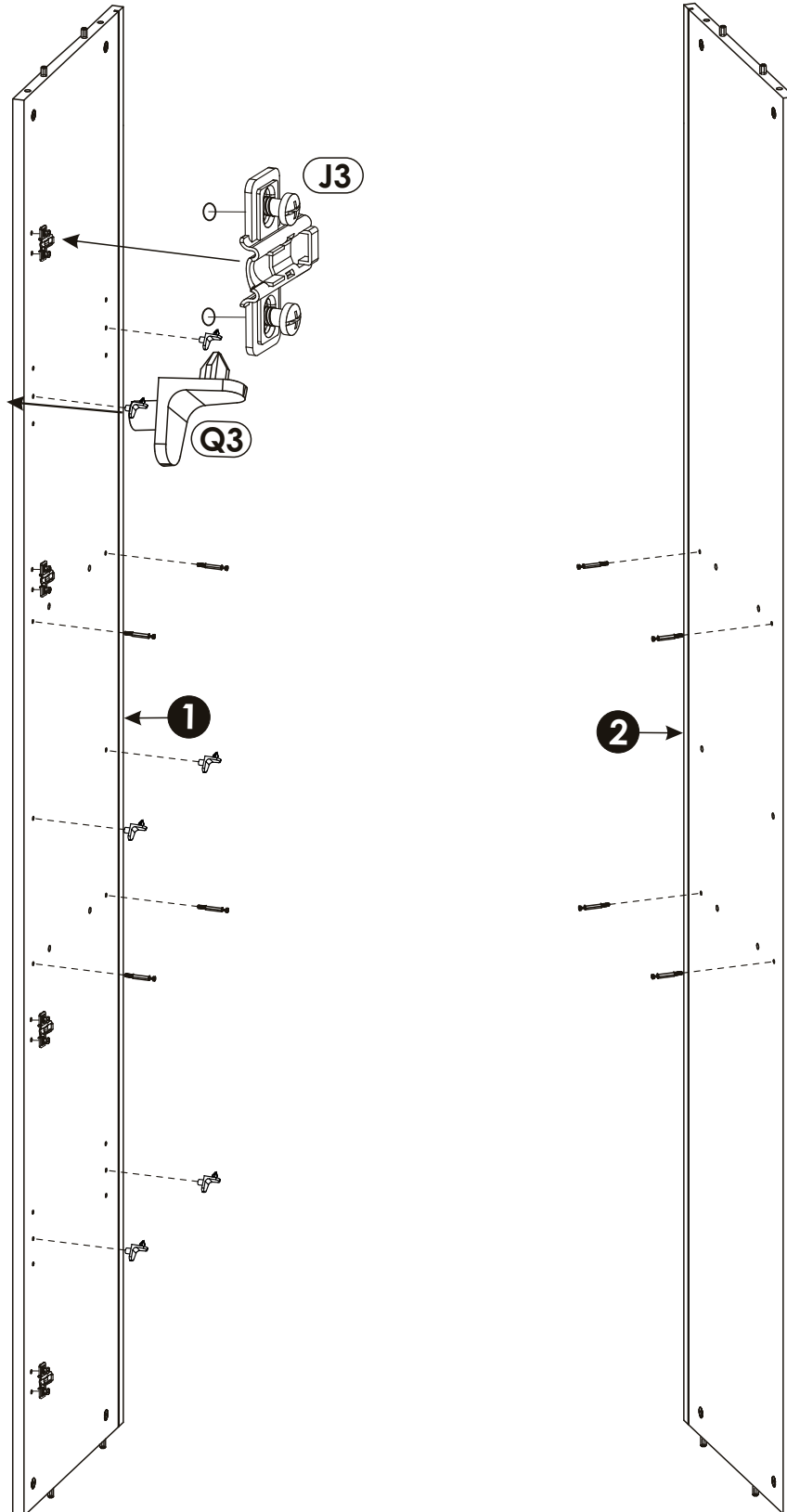
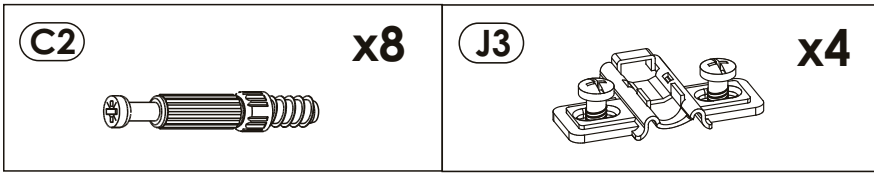
C2  x8	D21 5 x 13 mm  x2	P0  x2
---	---	---



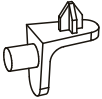

2 ▶




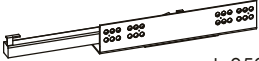
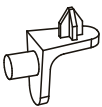
3▶

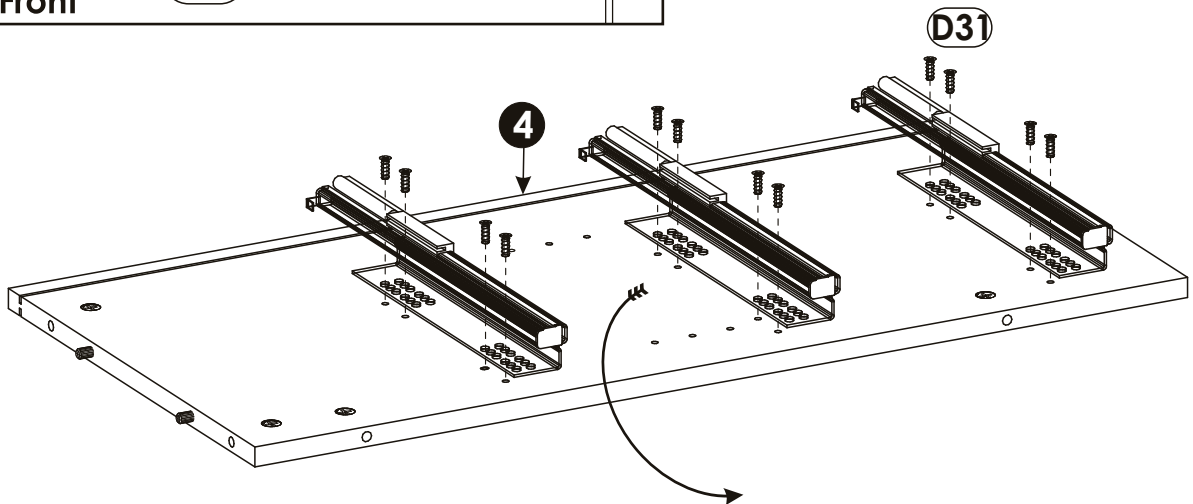
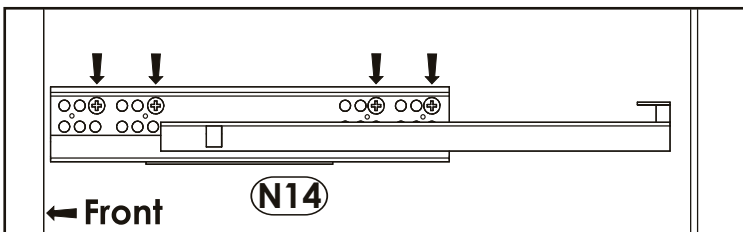
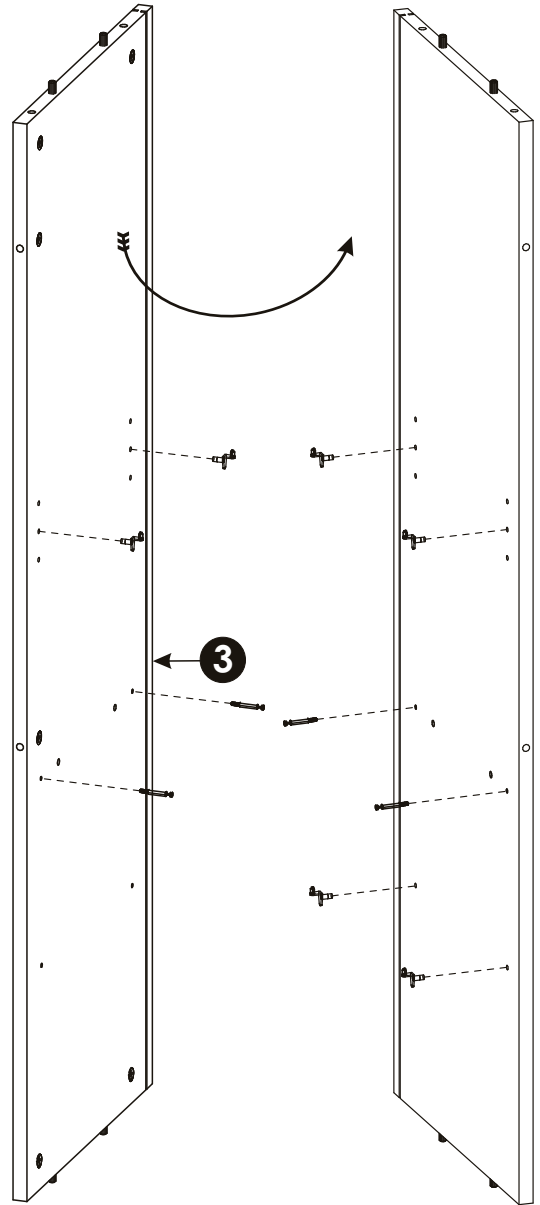


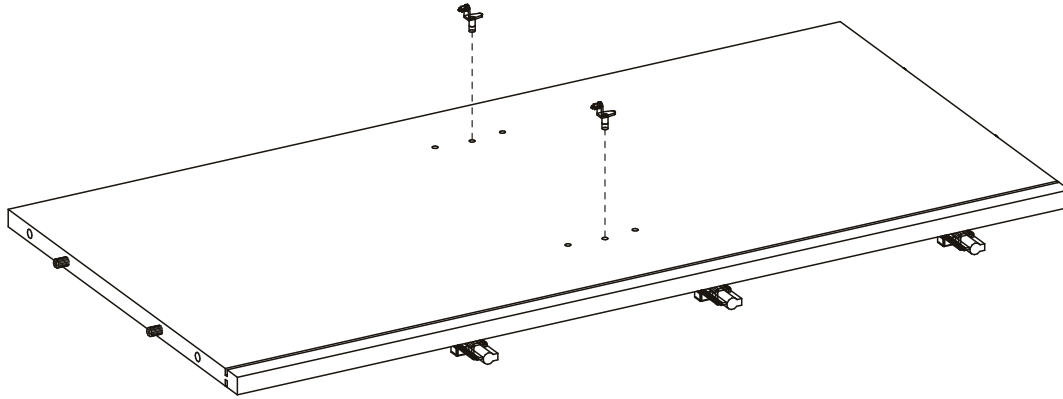
4 ▶

Q3		x6
C2		x4


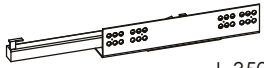
5 ▶

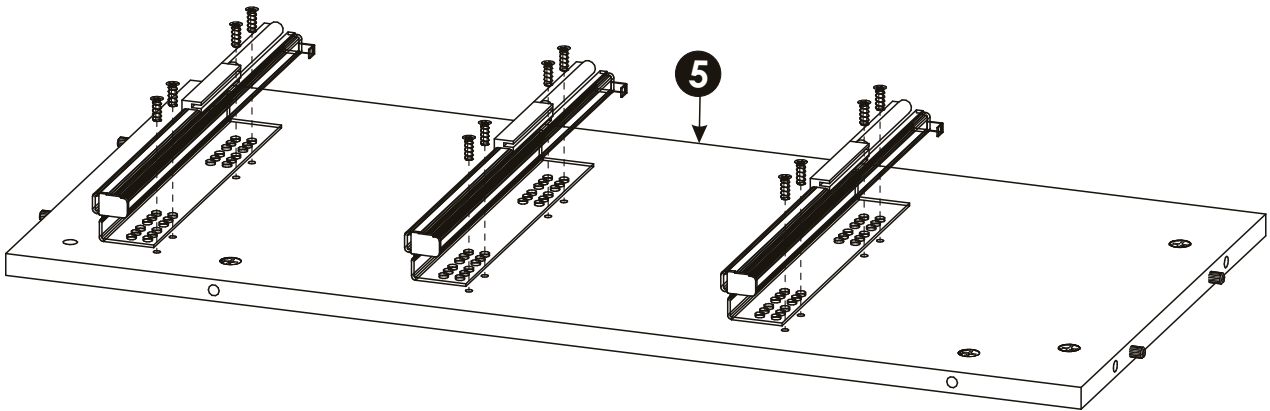
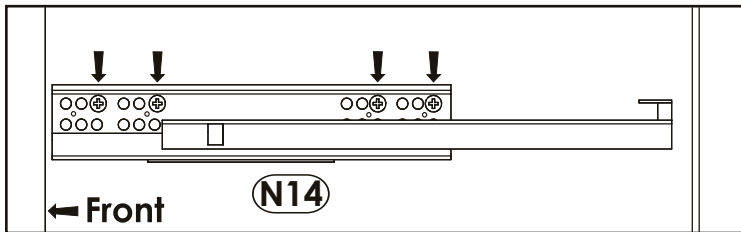
D31	6,3 x 13 mm	x12
		
N14		x3
	L-350mm	
Q3		x2



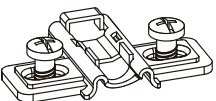
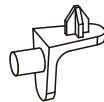


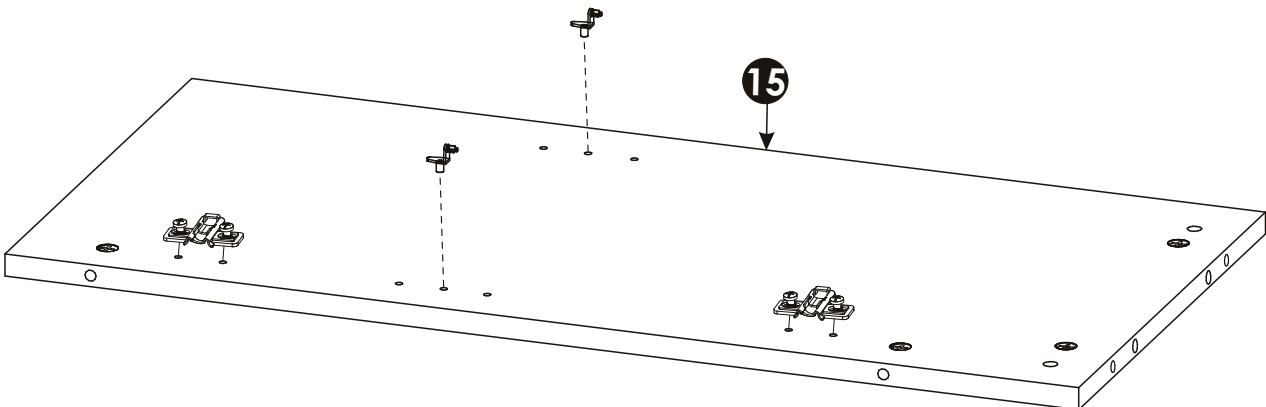
6 ▶

(D31)	6,3 x 13 mm	x12	(N14)	x3
				
			L-350mm	

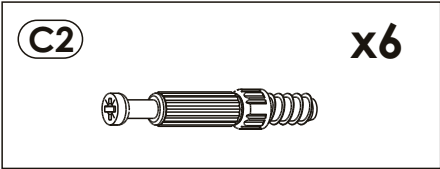
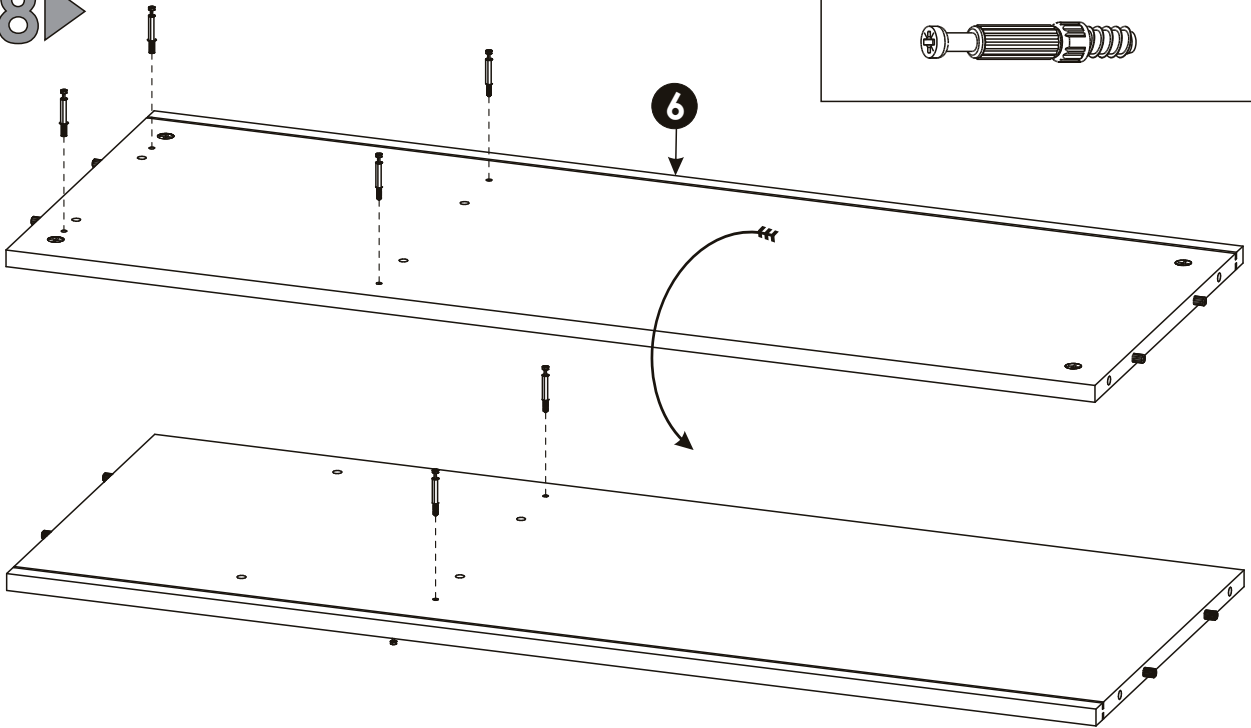


7 ▶

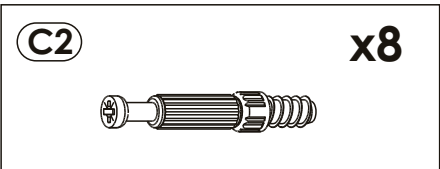
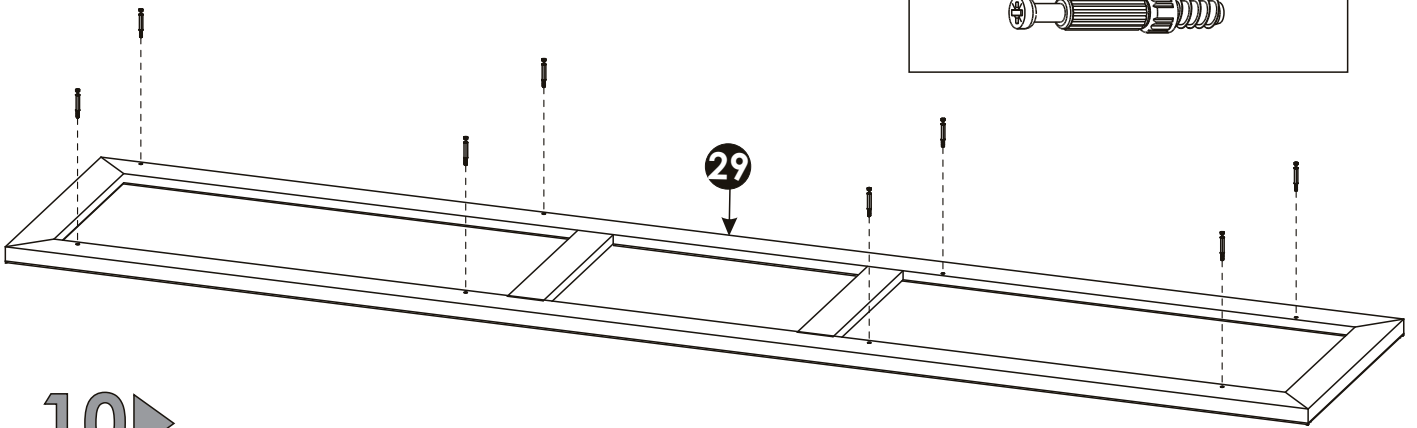
(J3)		x2	(Q3)		x2
-------------	---	-----------	-------------	--	-----------



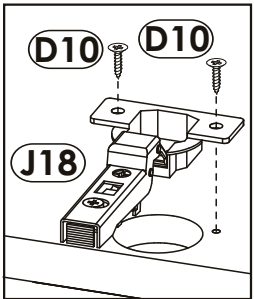
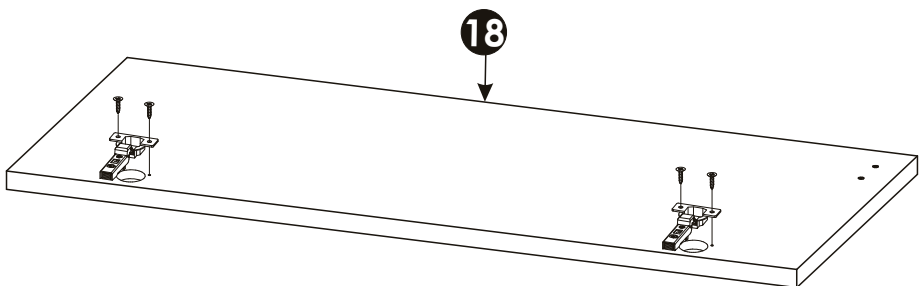
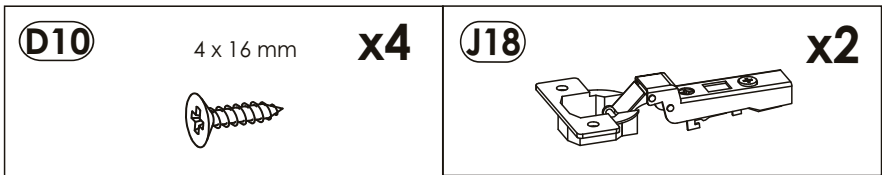
8 ▶



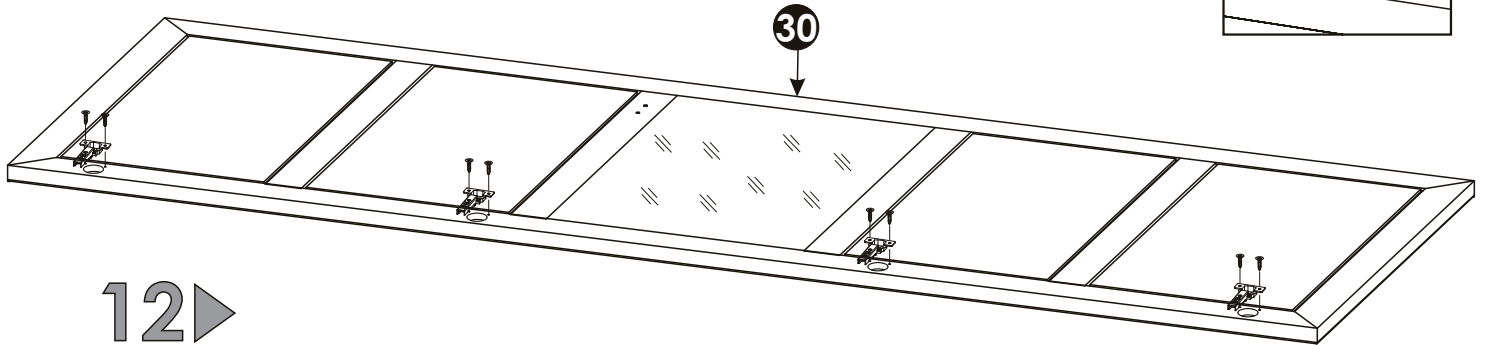
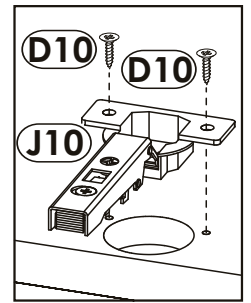
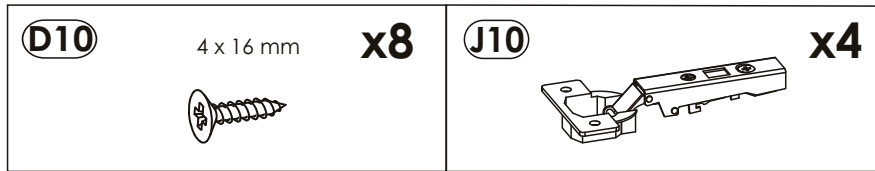
9 ▶



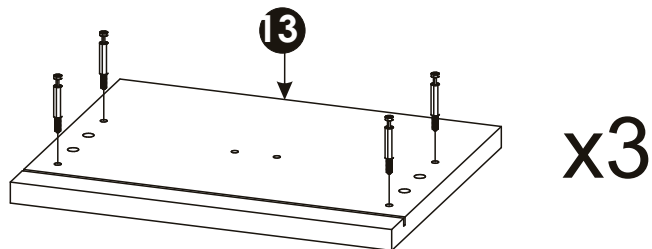
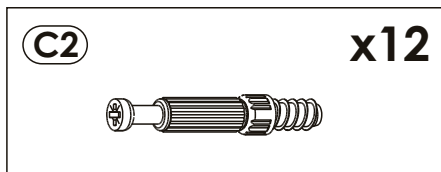
10 ▶



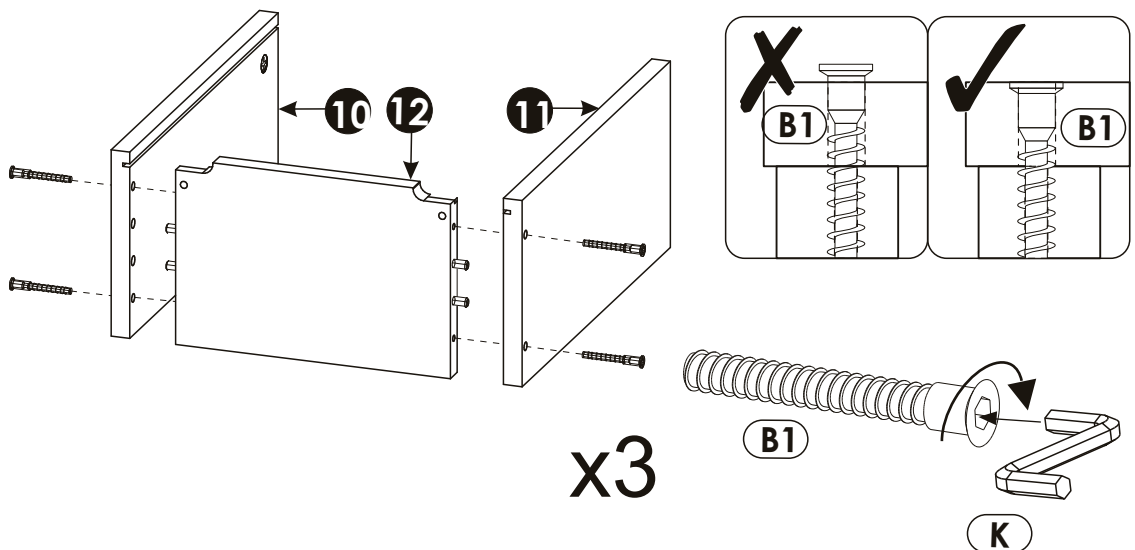
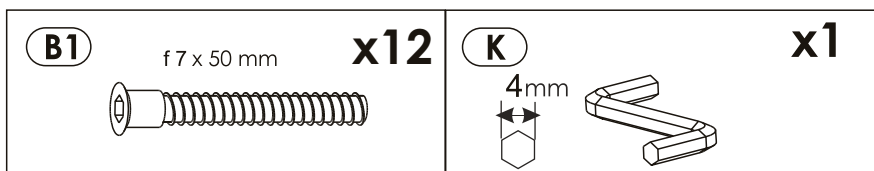
11 ▶



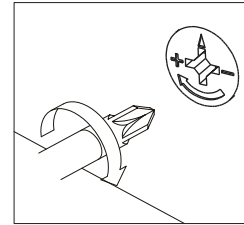
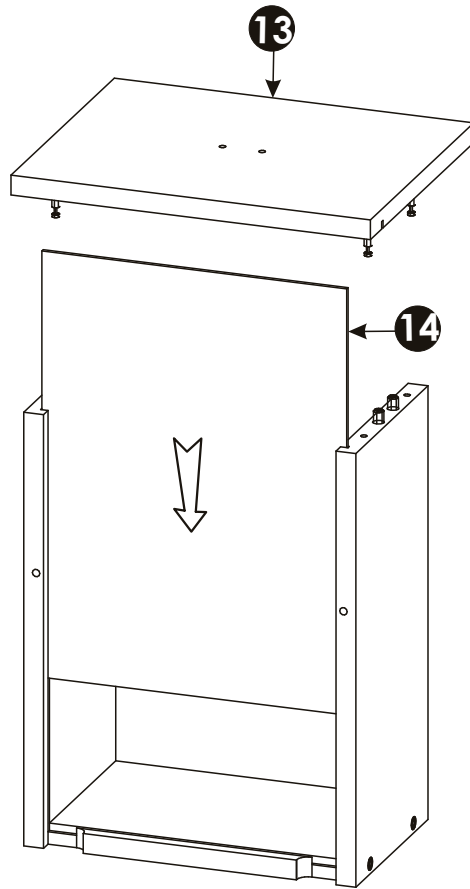
12 ▶



13 ▶





14▶

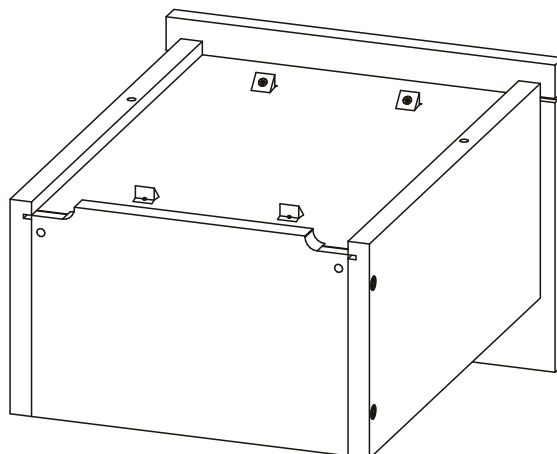
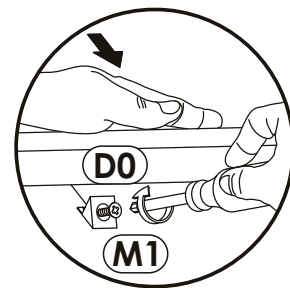
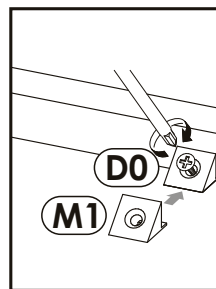
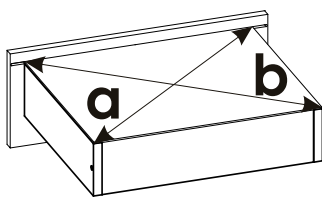


x3

15▶

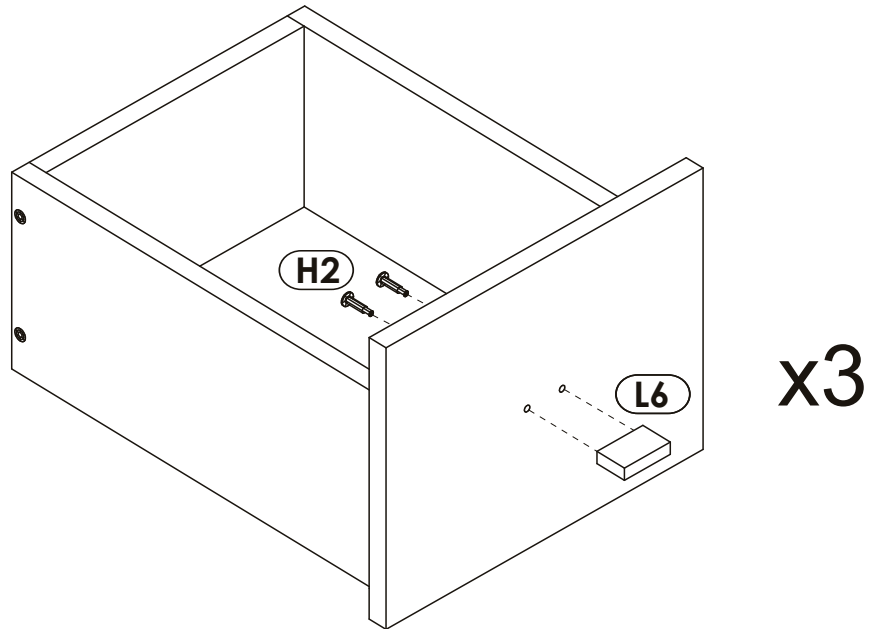
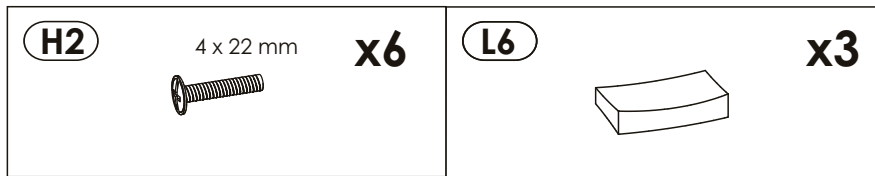
(D0)	3 x 15 mm	x12	(M1)		x12
					

a=b

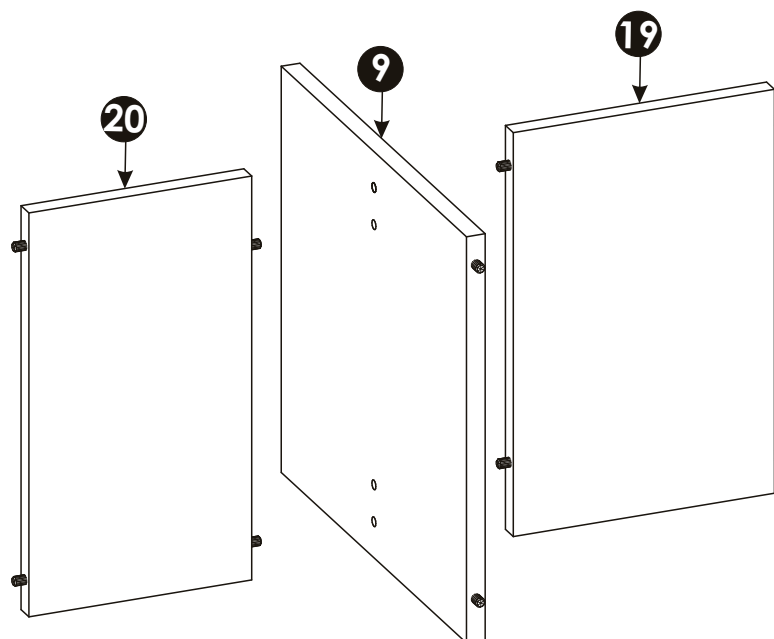


x3


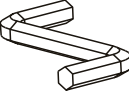
16▶

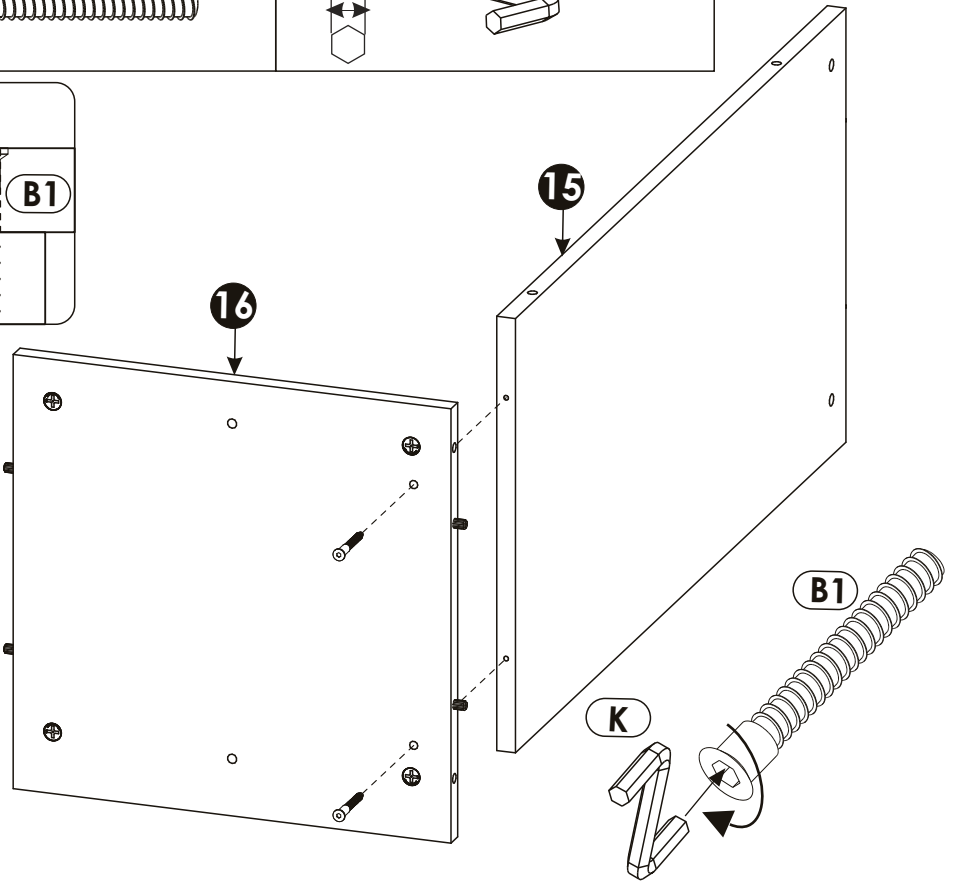
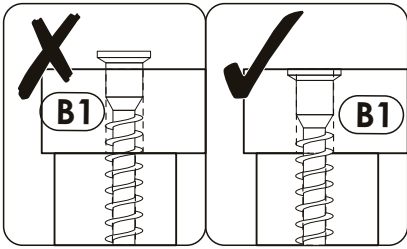


17▶

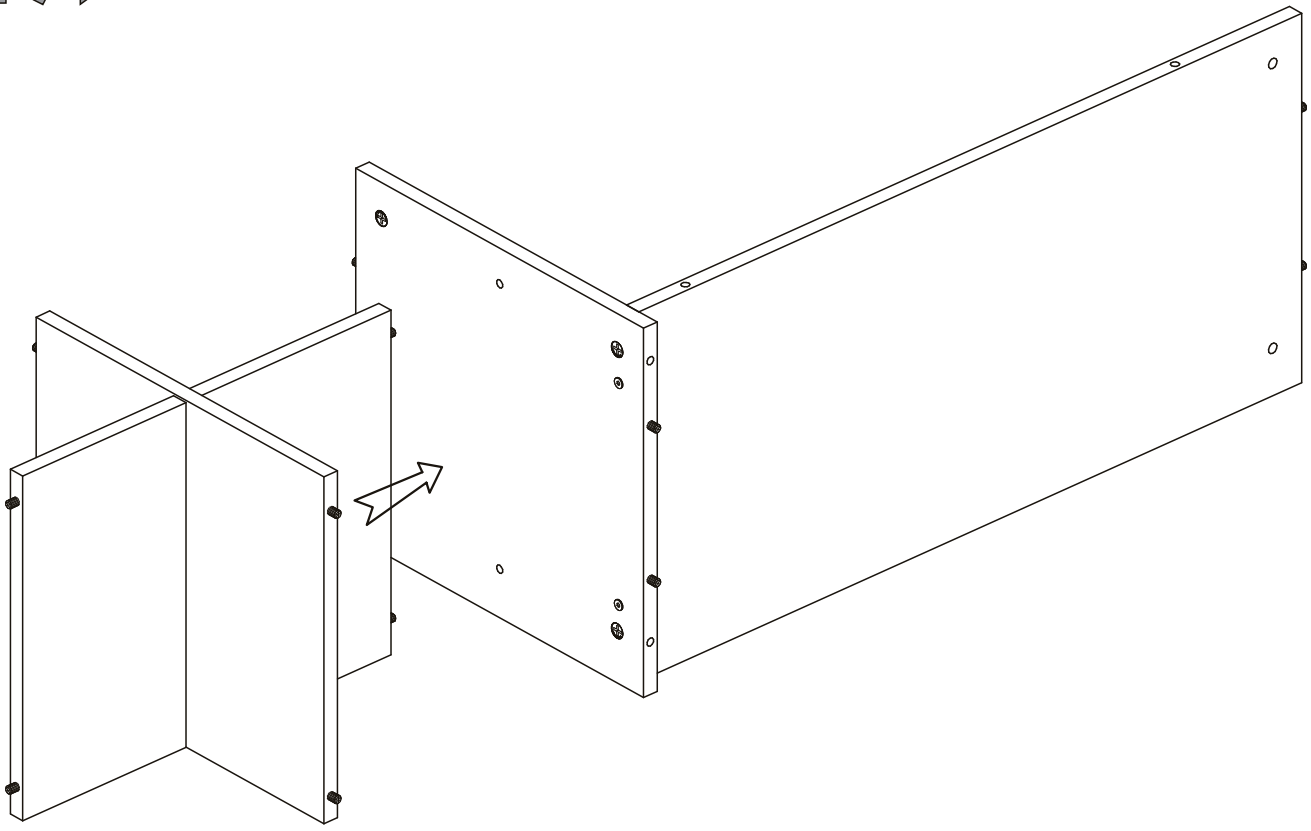


18 ▶

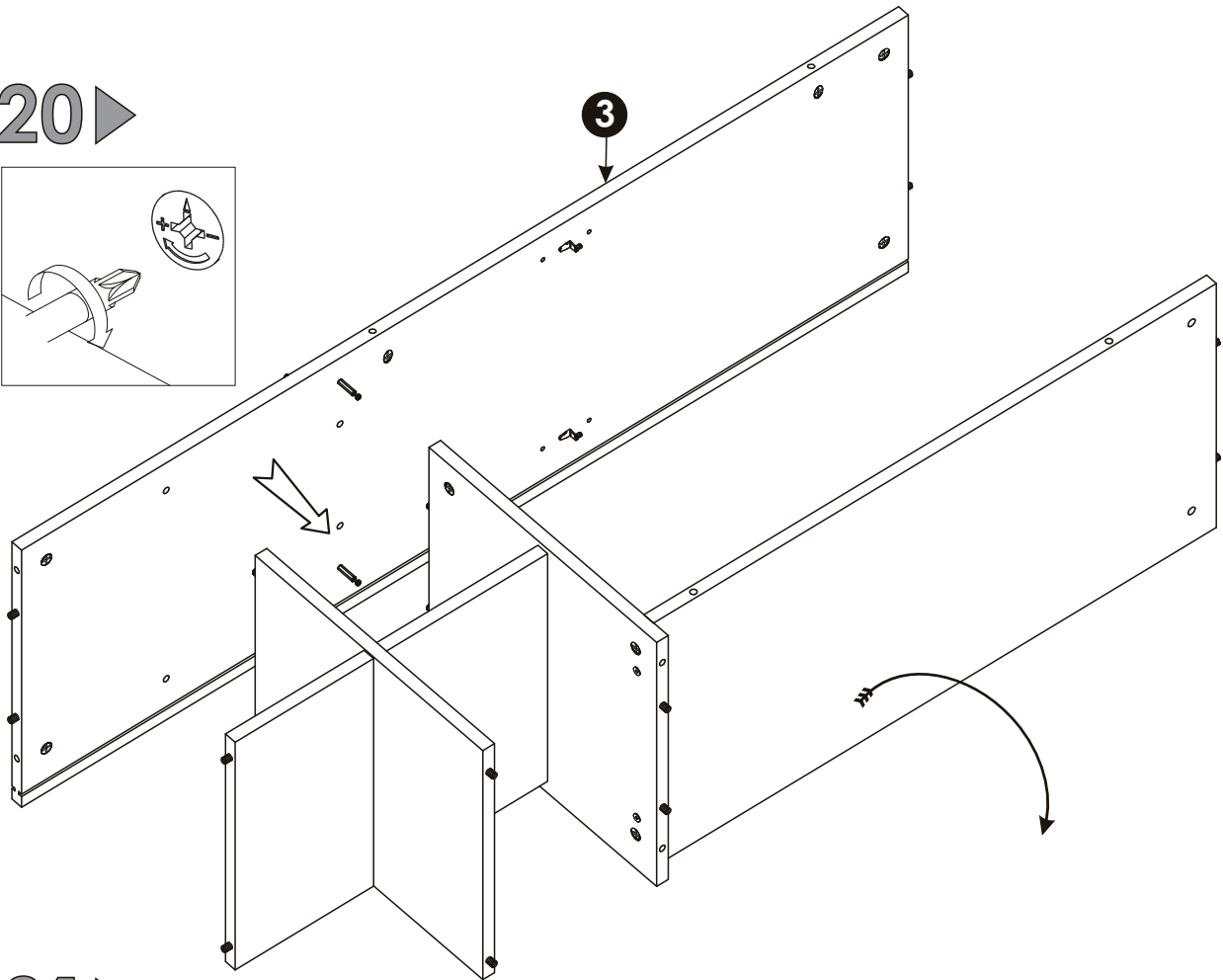
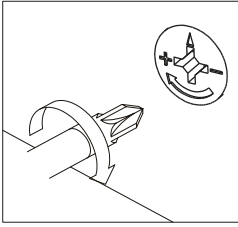
B1	f 7 x 50 mm	x2	K	4mm	x1
					



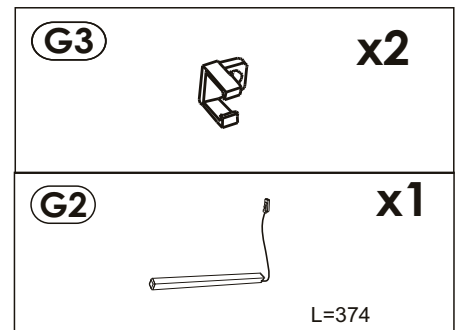
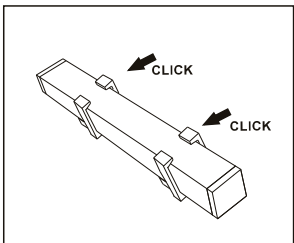
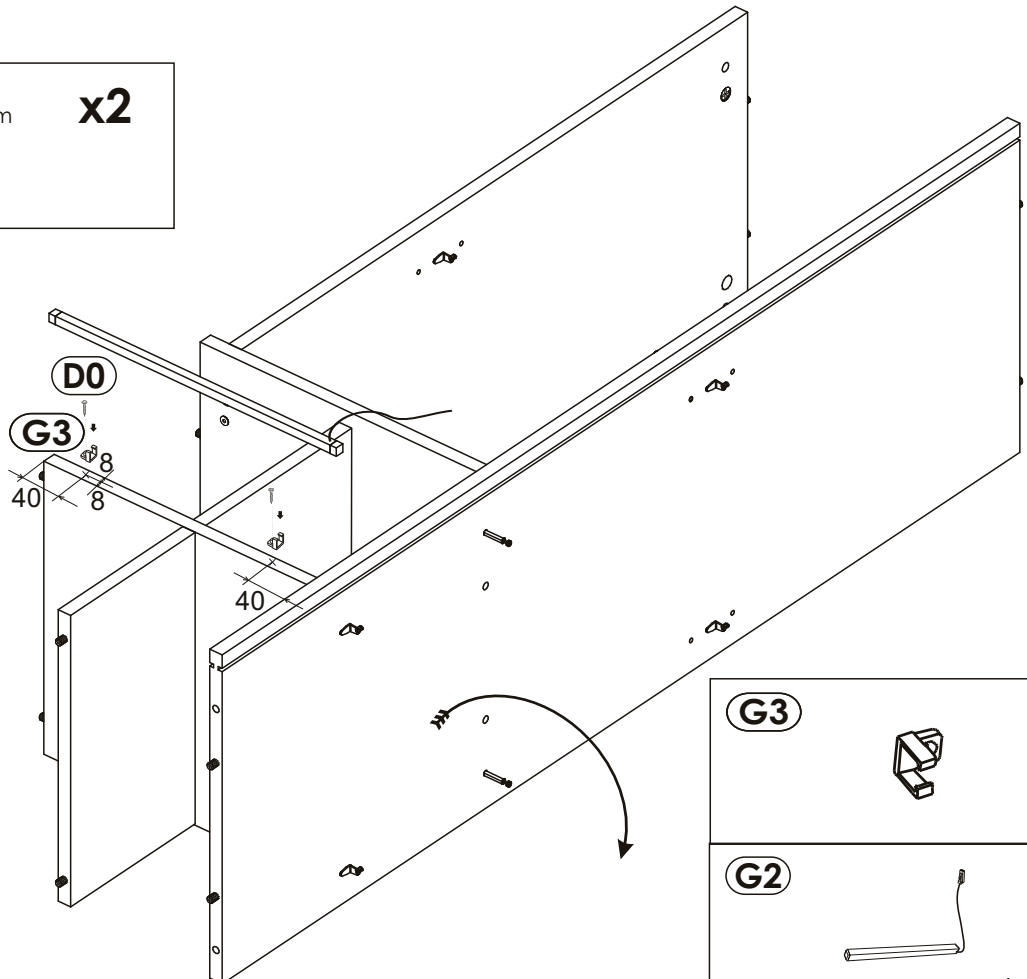
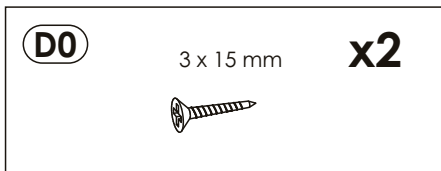
19 ▶



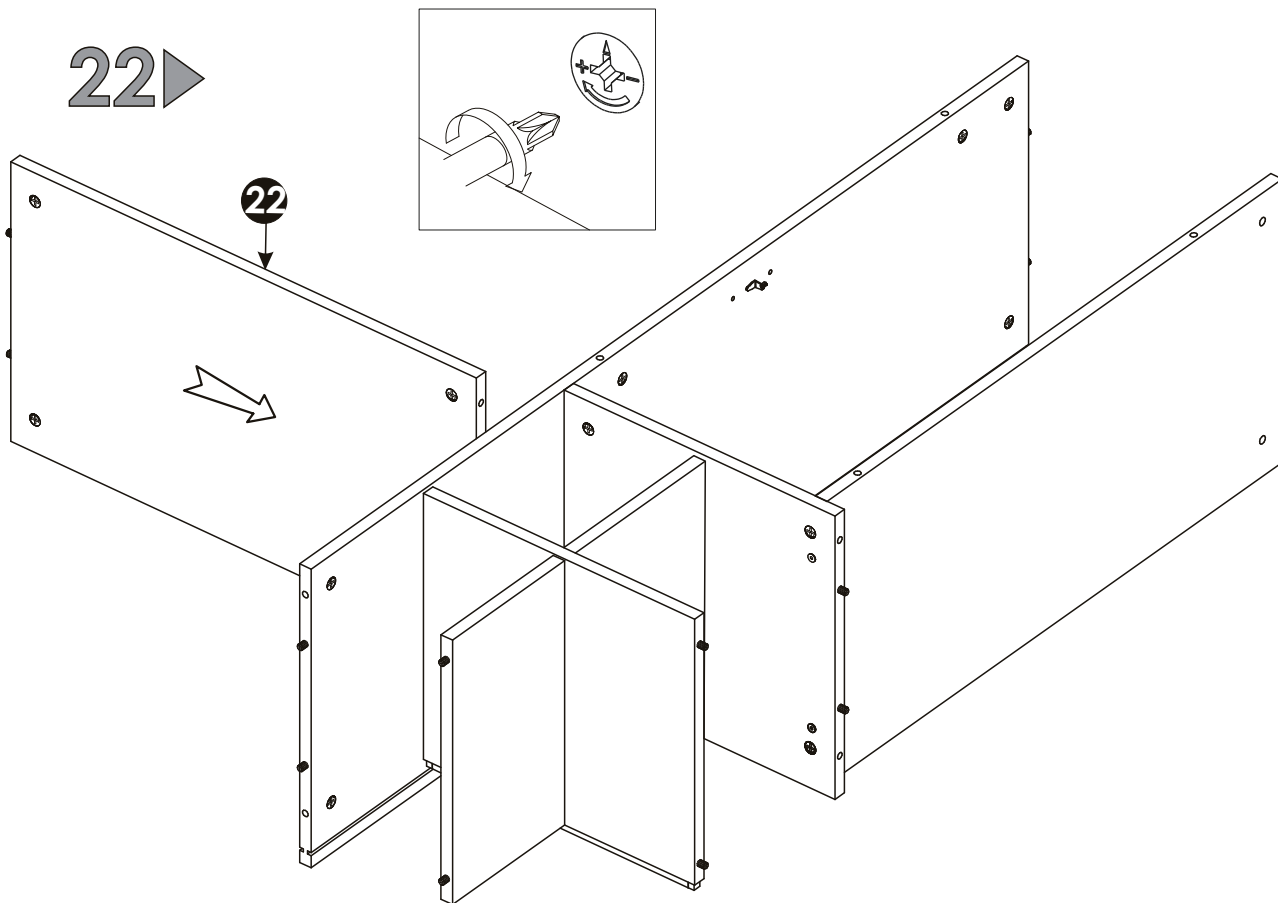
20 ▶



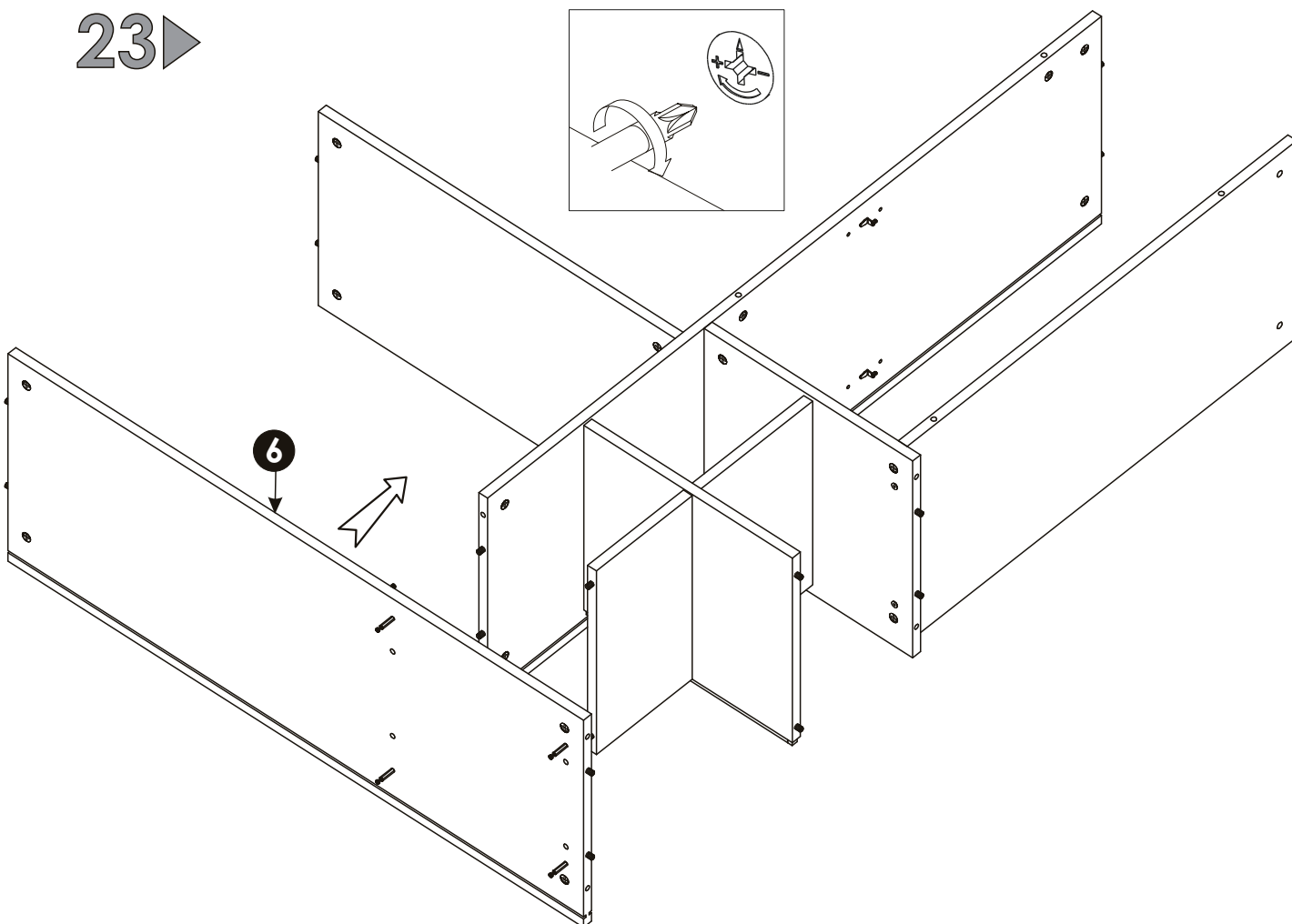
21 ▶



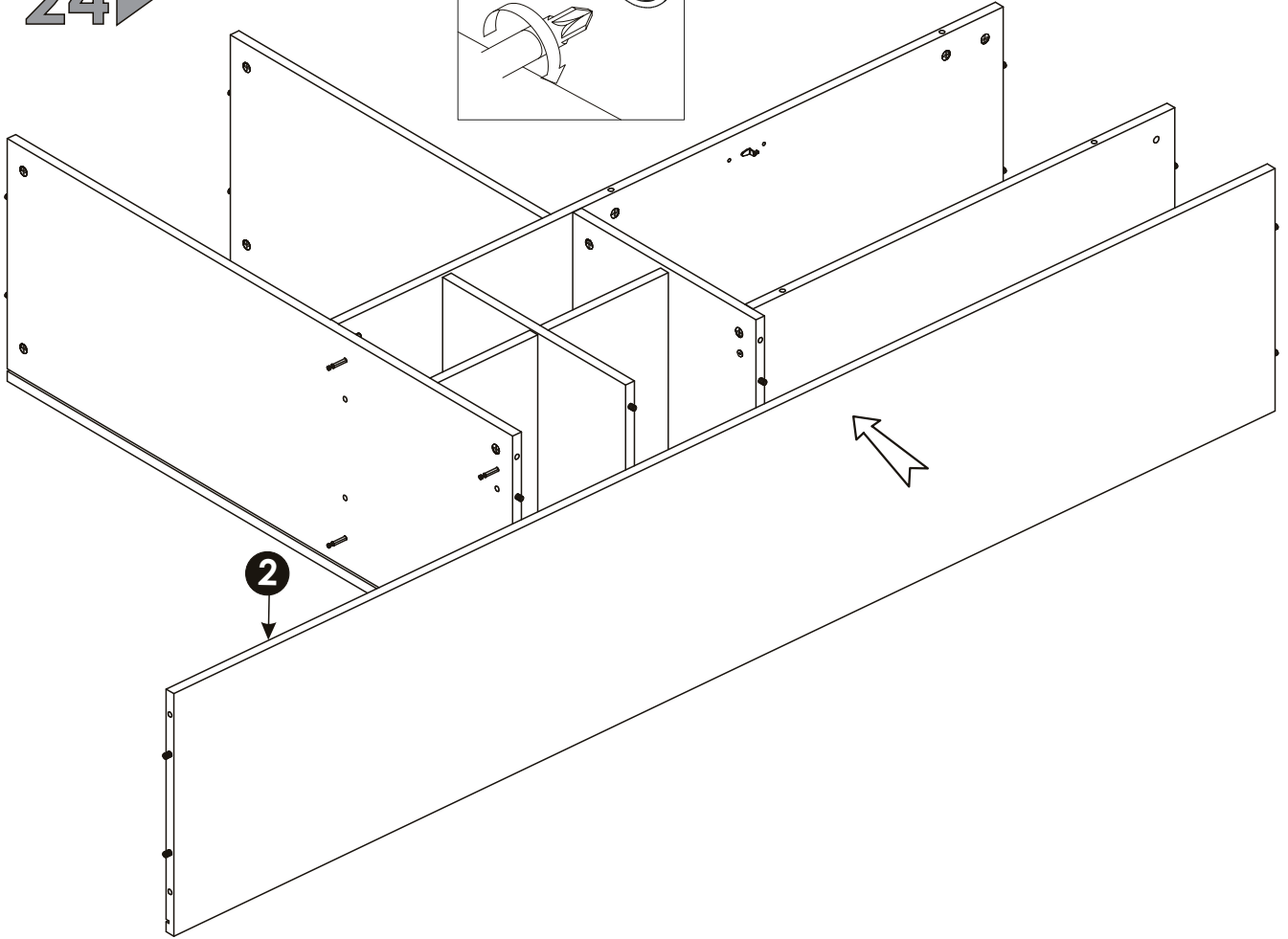
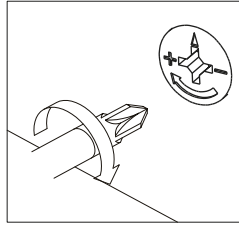
22 ▶



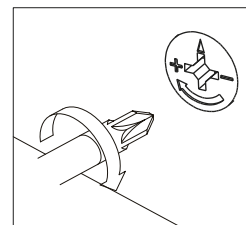
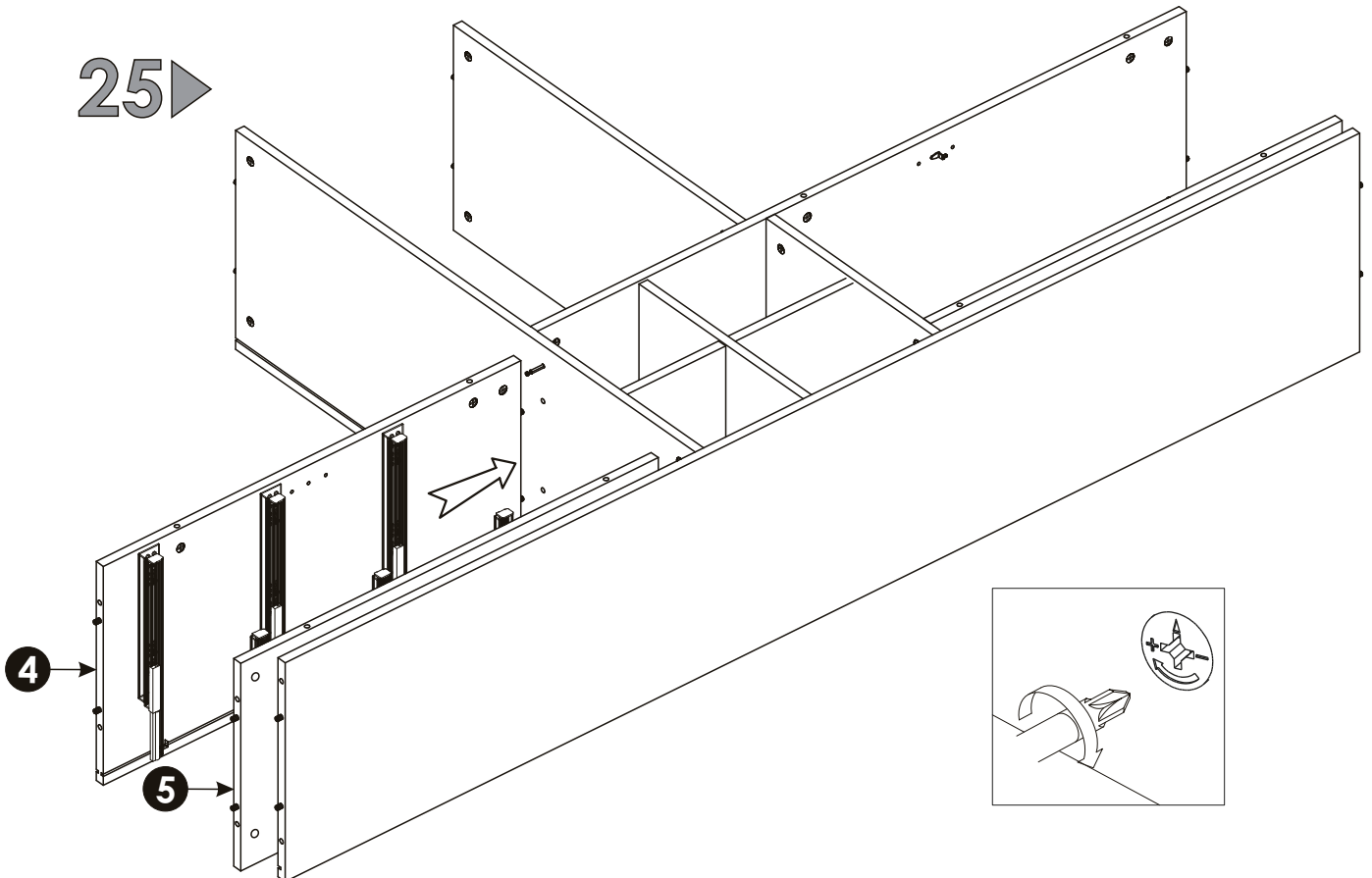
23 ▶



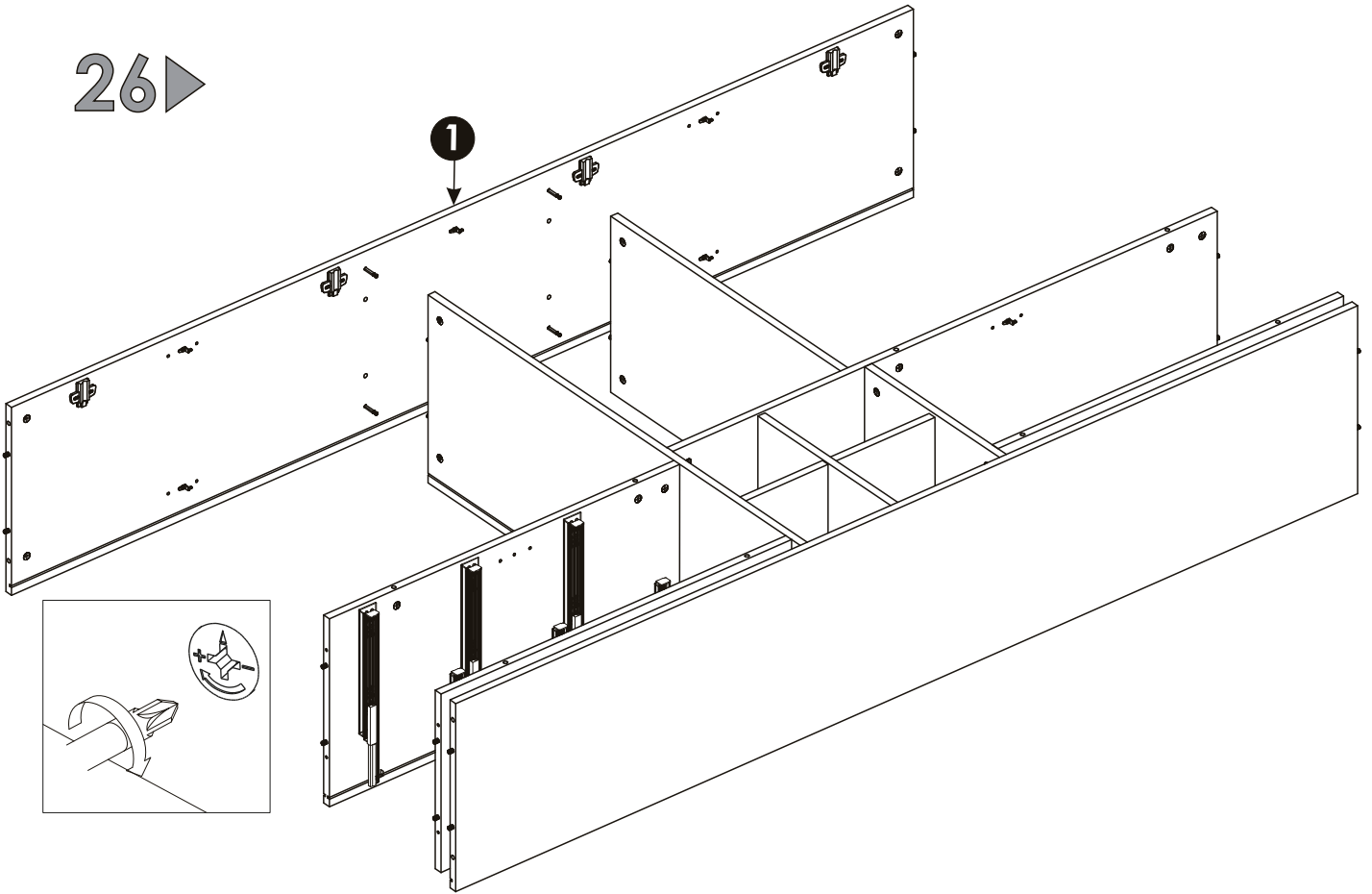
24 ▶



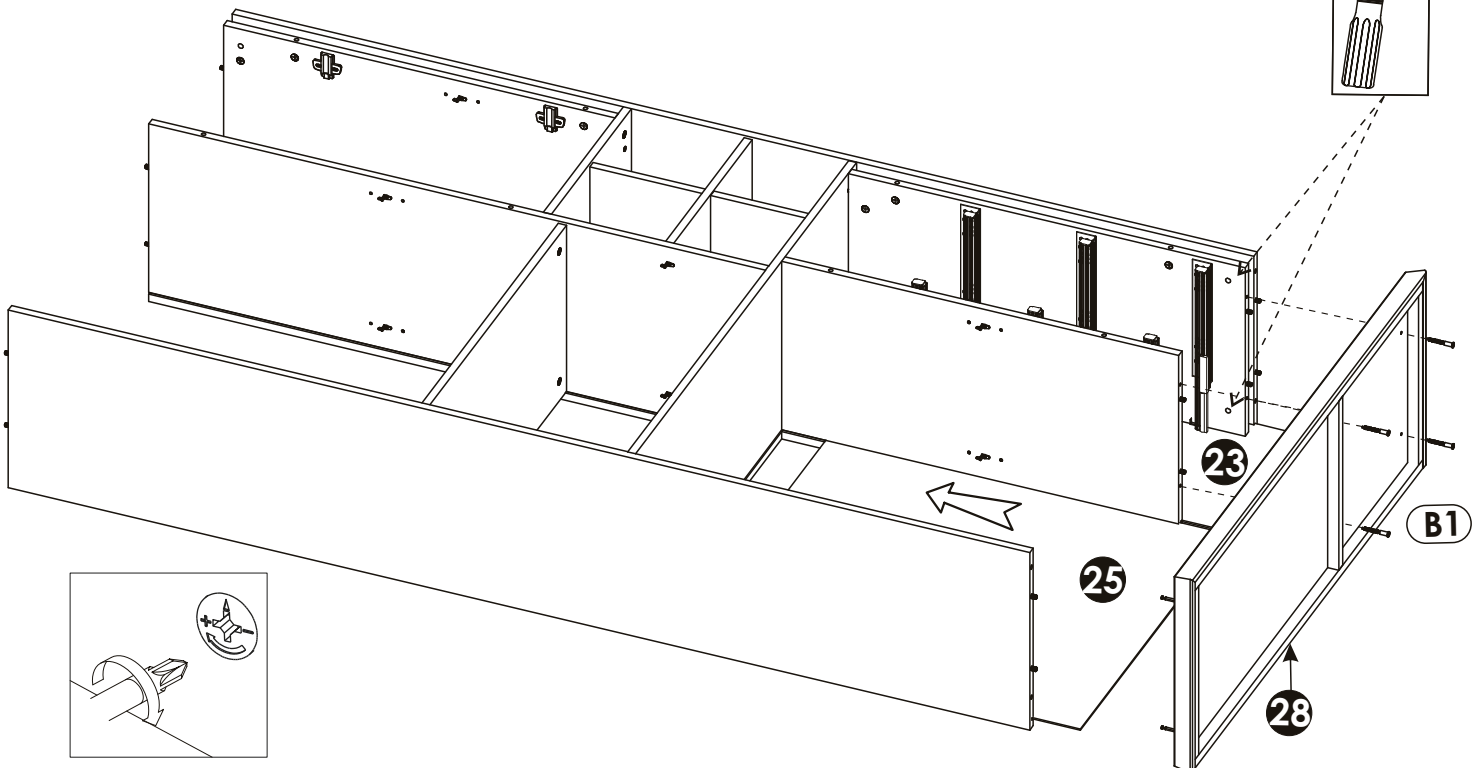
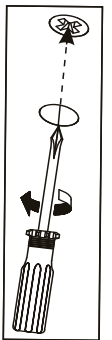
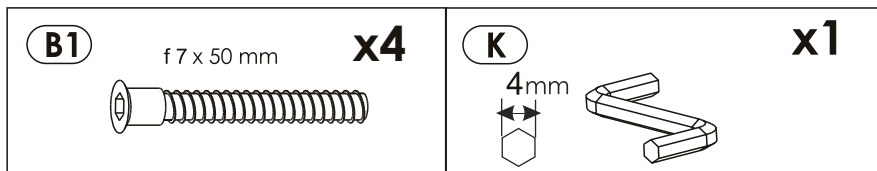
25 ▶



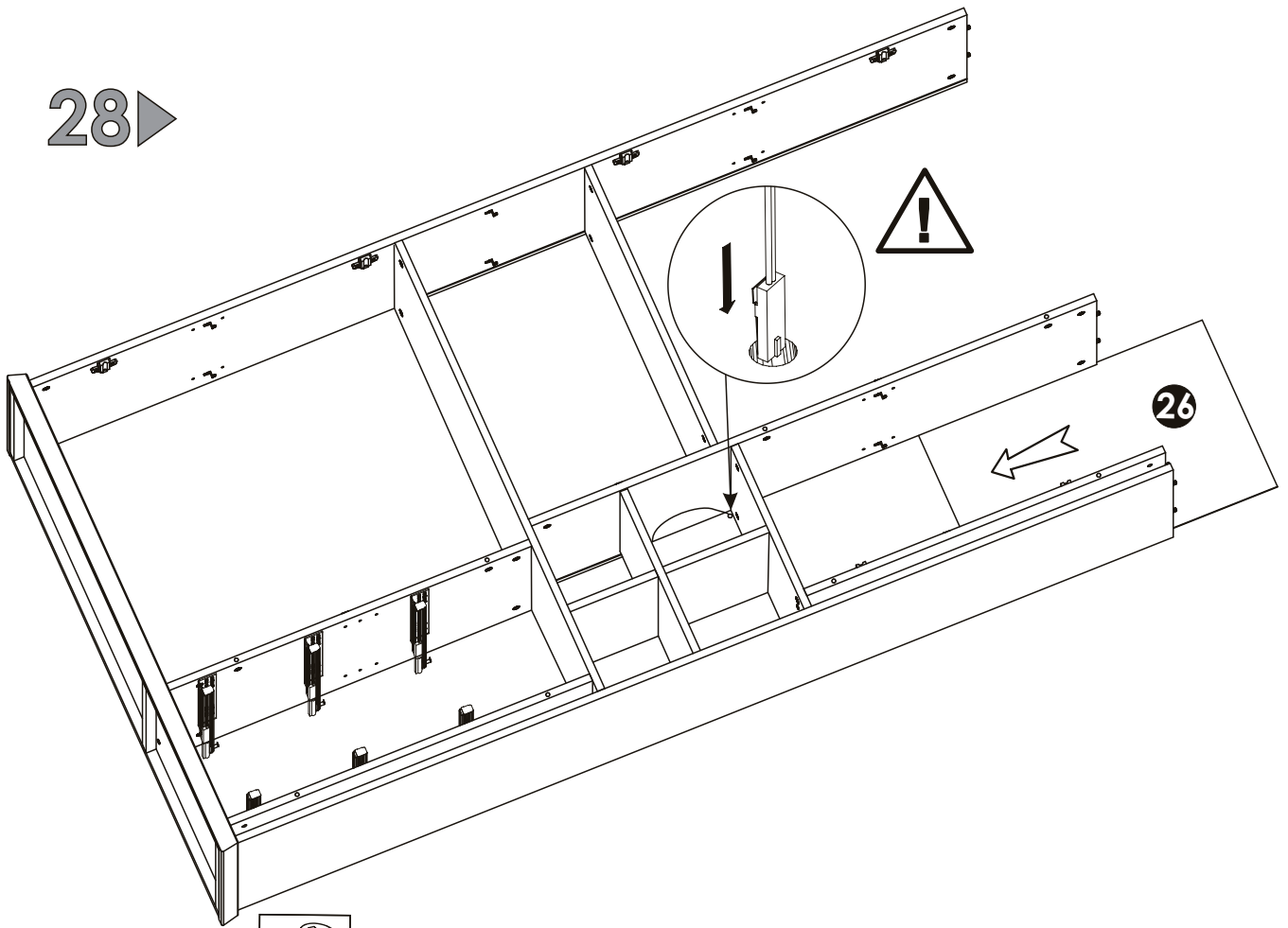
26 ▶



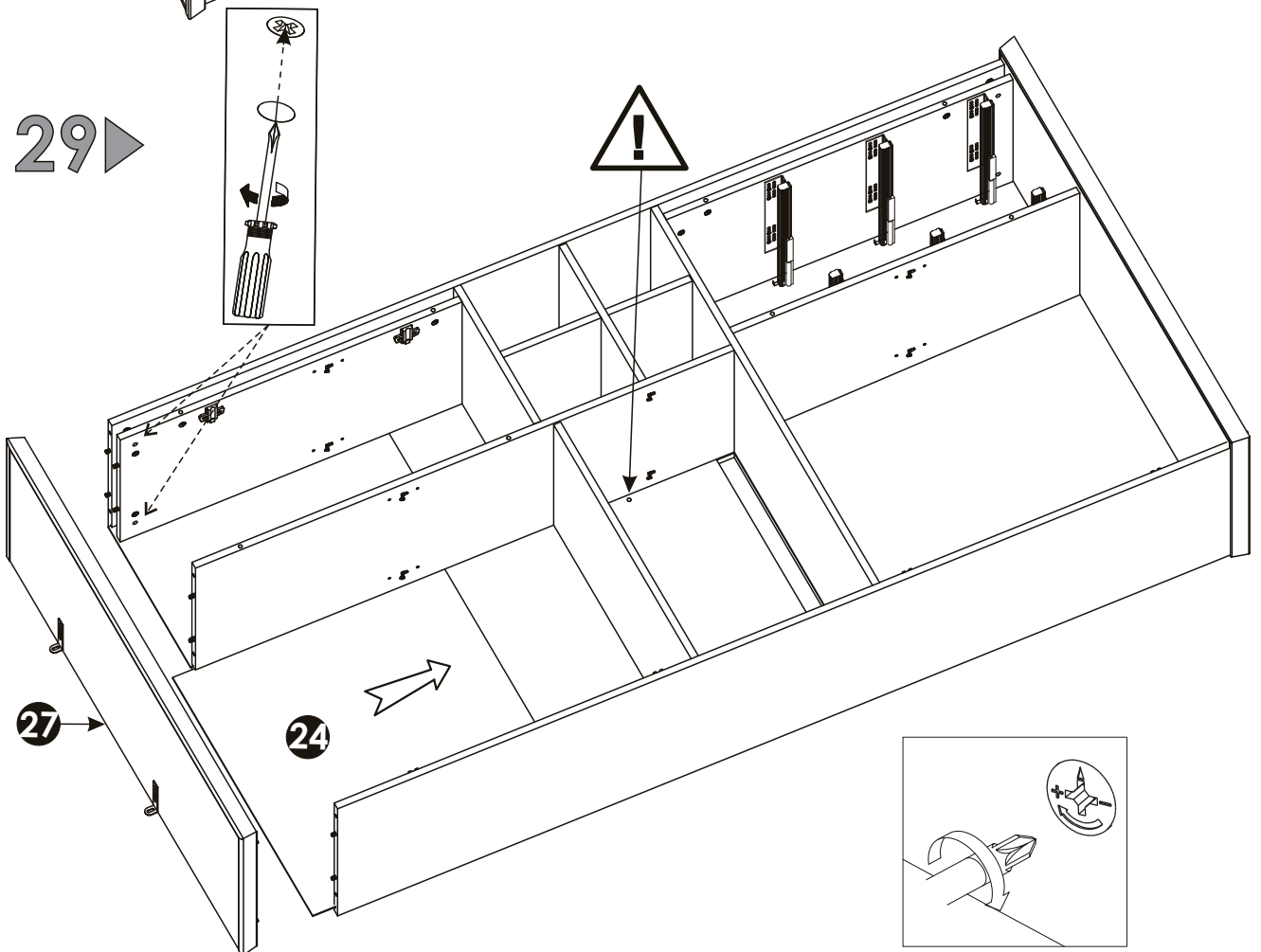
27 ▶






28 ▶

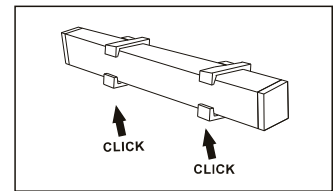
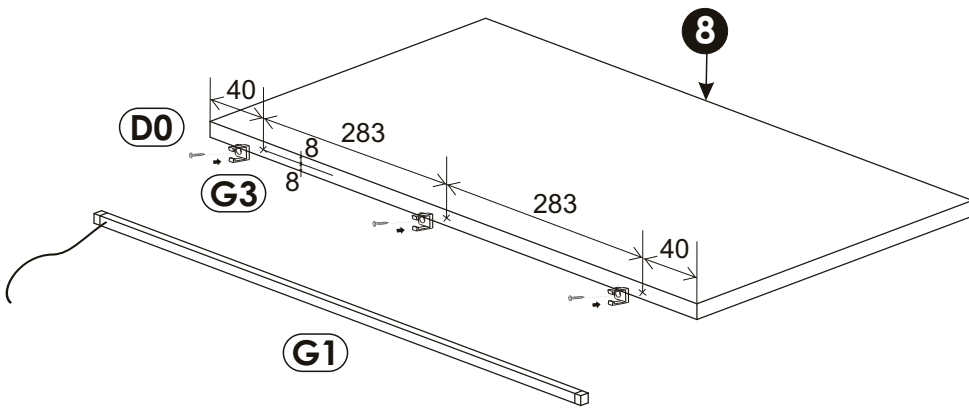


29 ▶

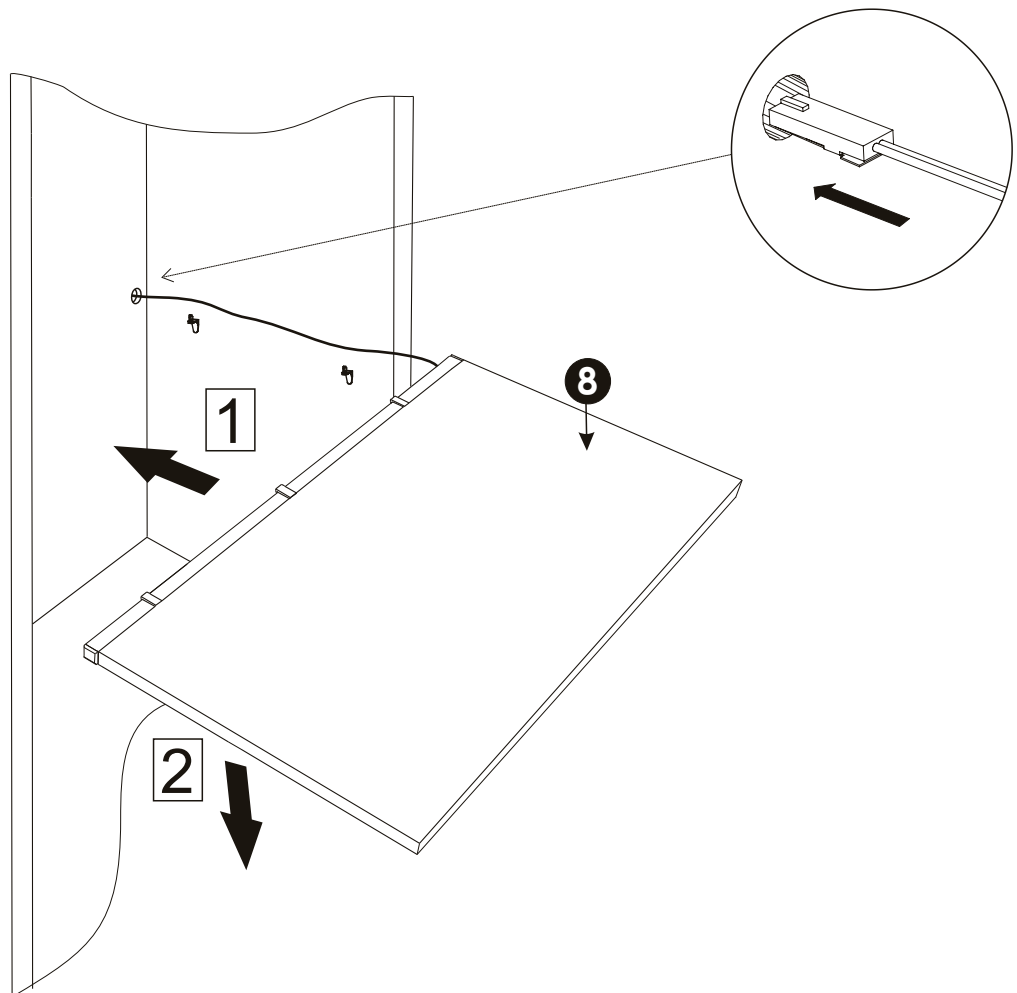


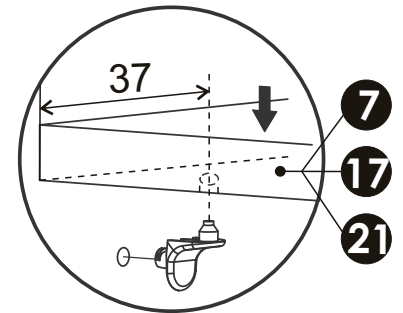
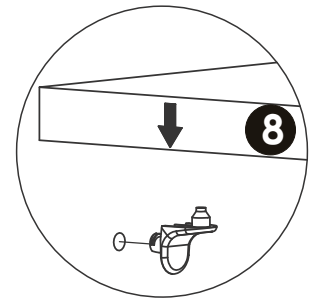
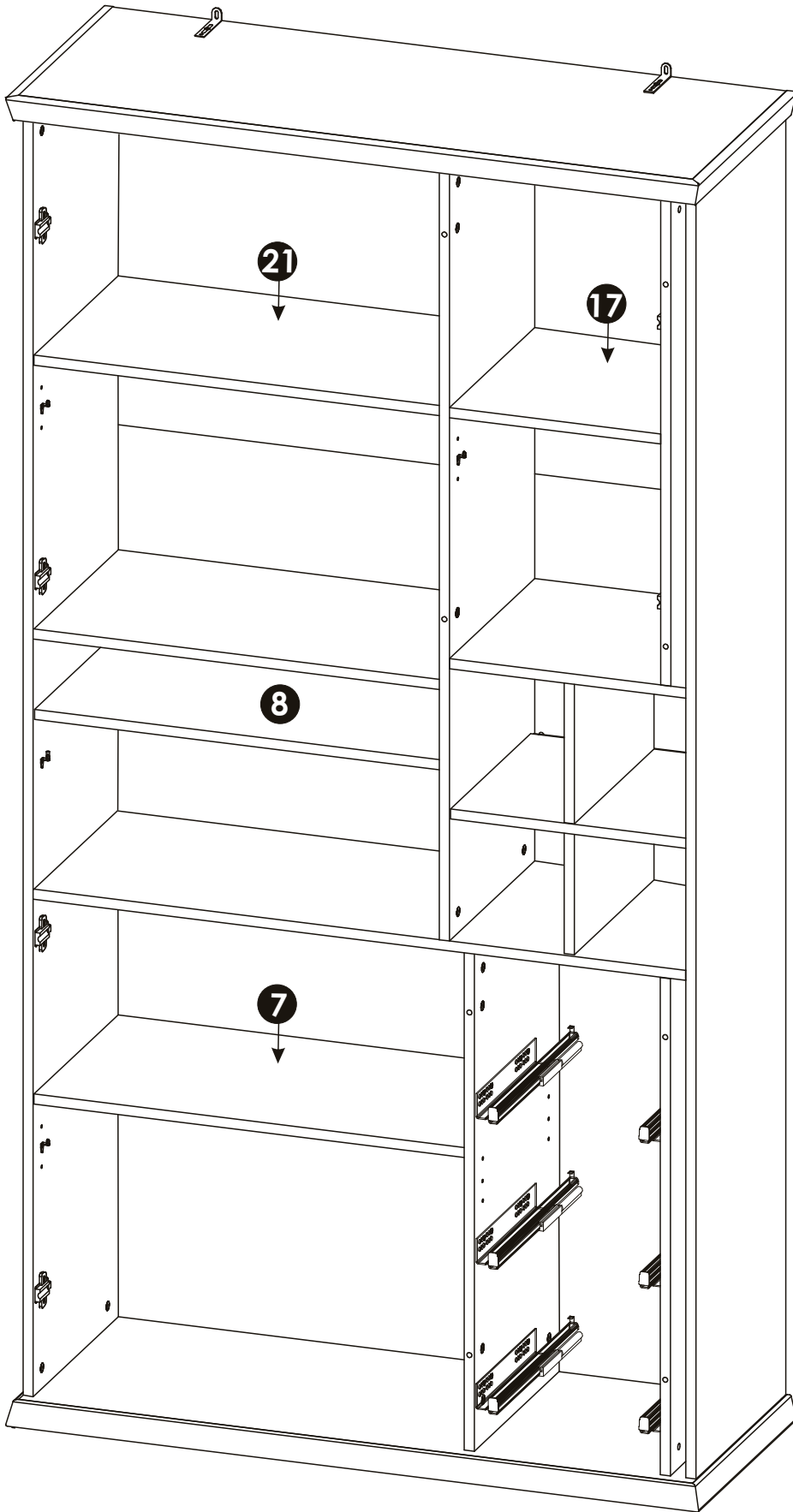
30 ▶

(D0) 3 x 15 mm 	x3	(G1)  L=638	x1	(G3) 	x3
---	-----------	---	-----------	--	-----------

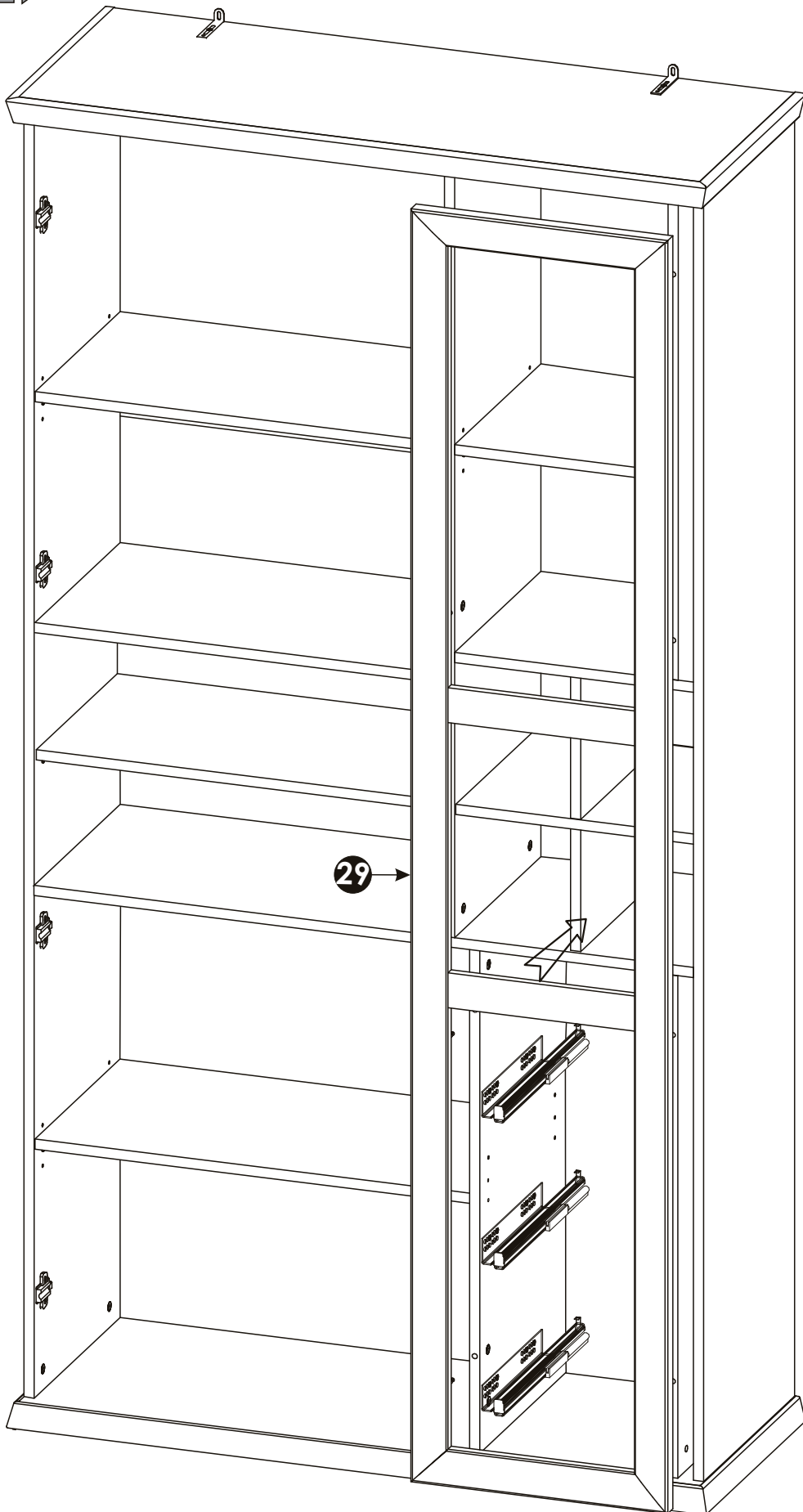
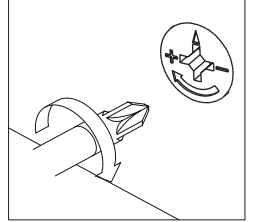


31 ▶



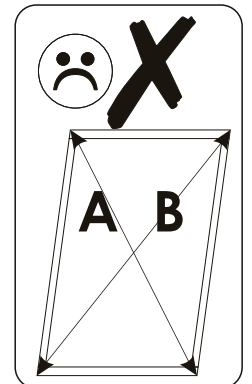
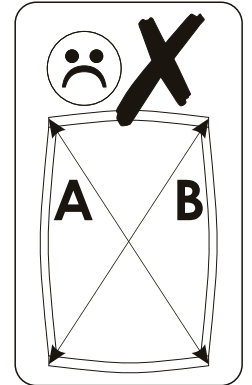
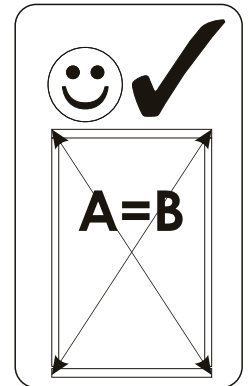
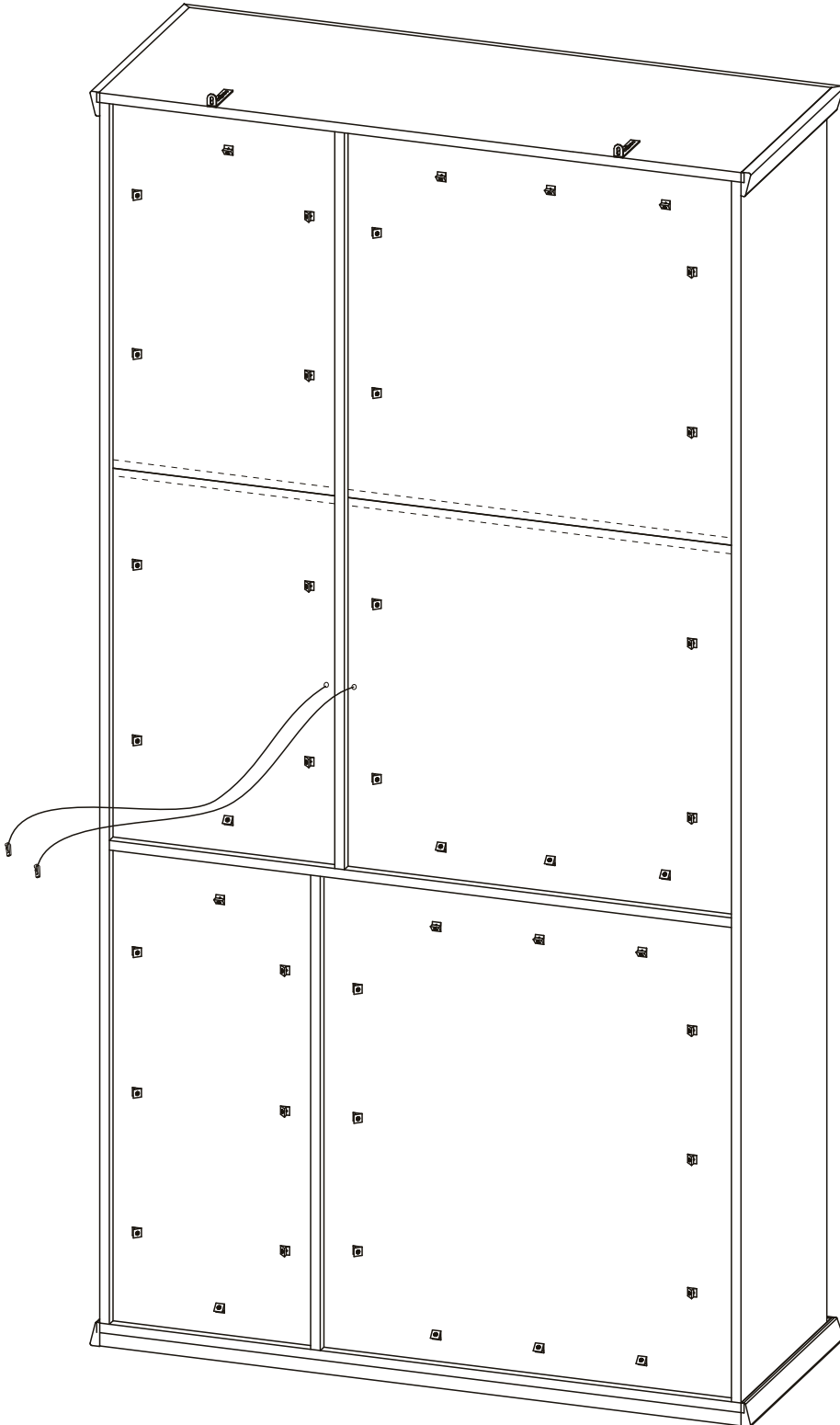
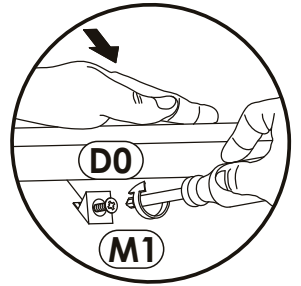
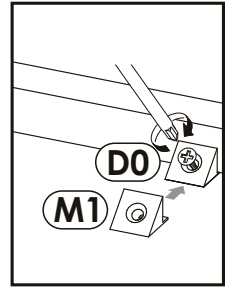


32 ▶



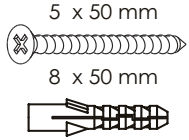
33 ▶

(D0)	3 x 15 mm	x44	(M1)	x44
-------------	-----------	------------	-------------	------------

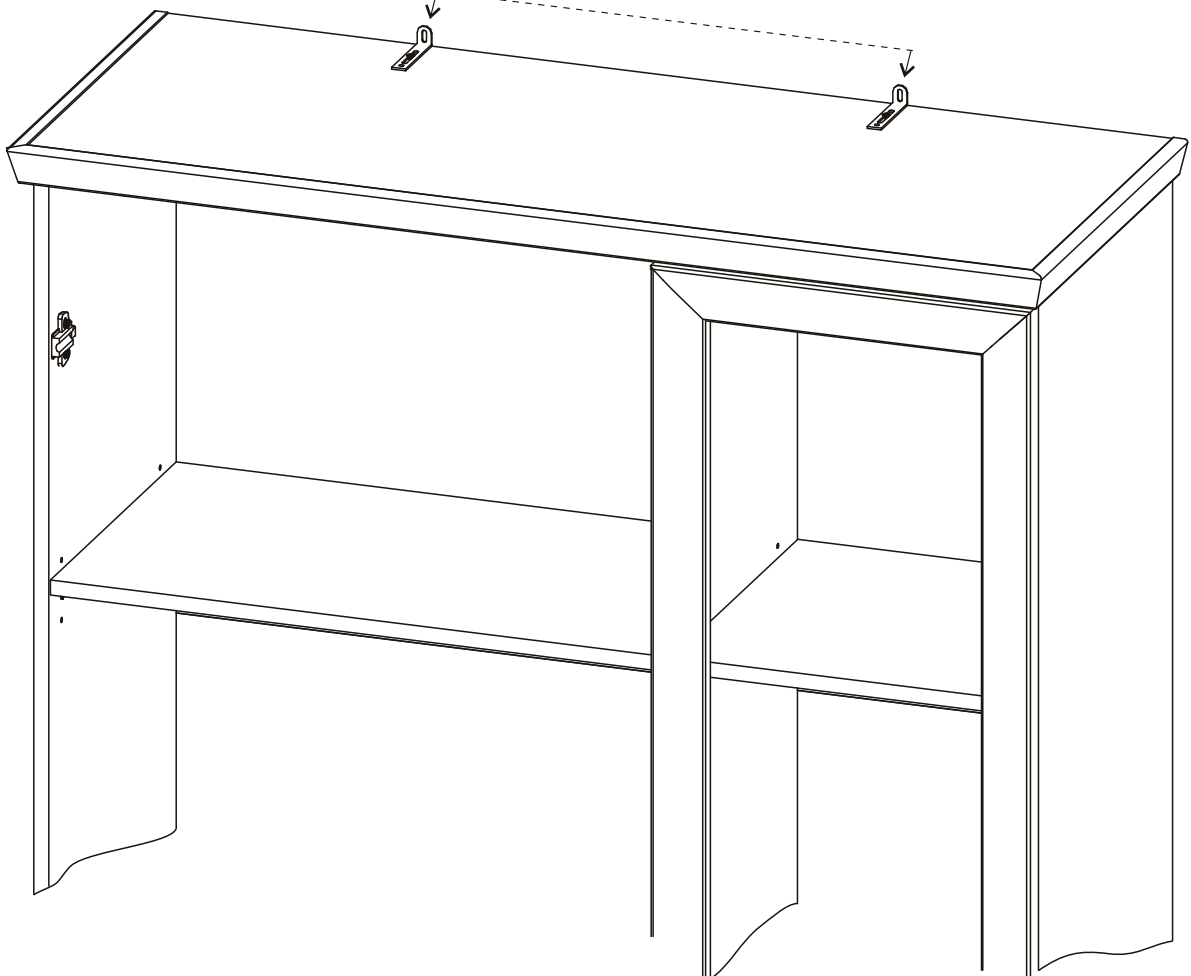
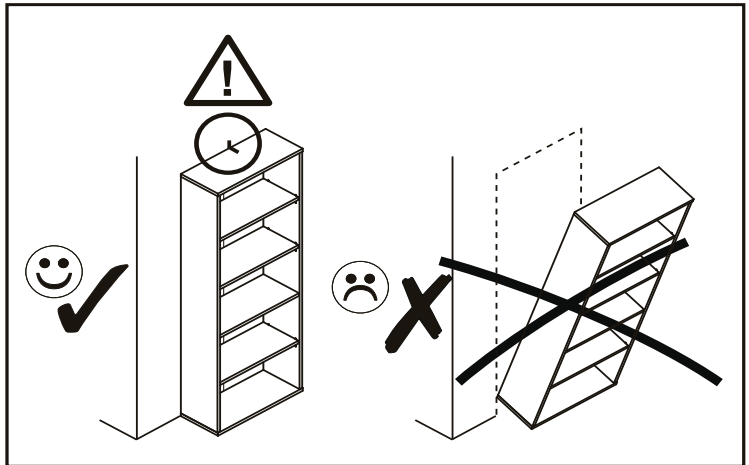
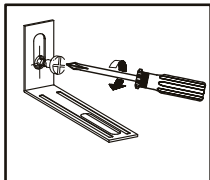
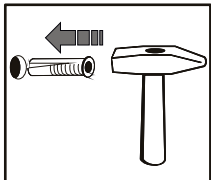
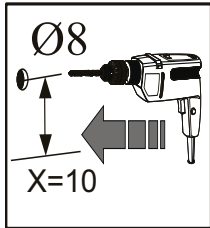
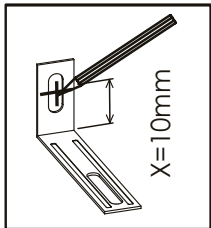
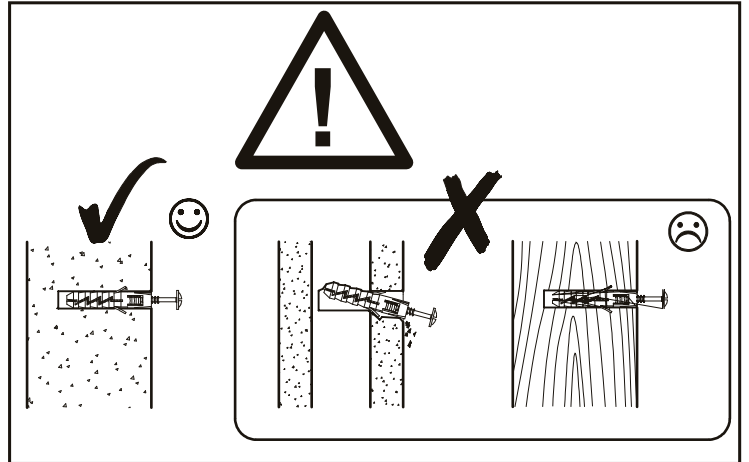


34



E0

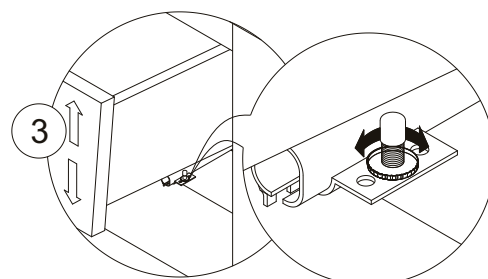
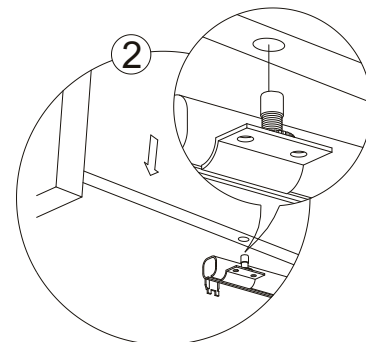
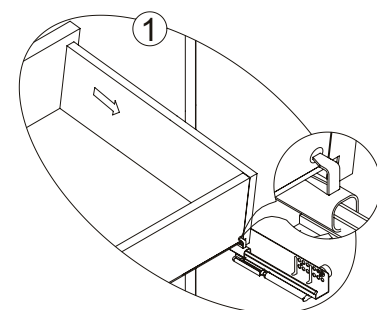
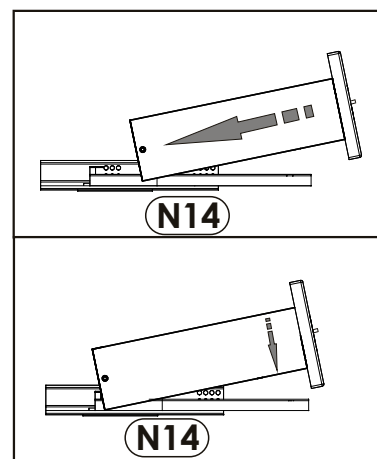
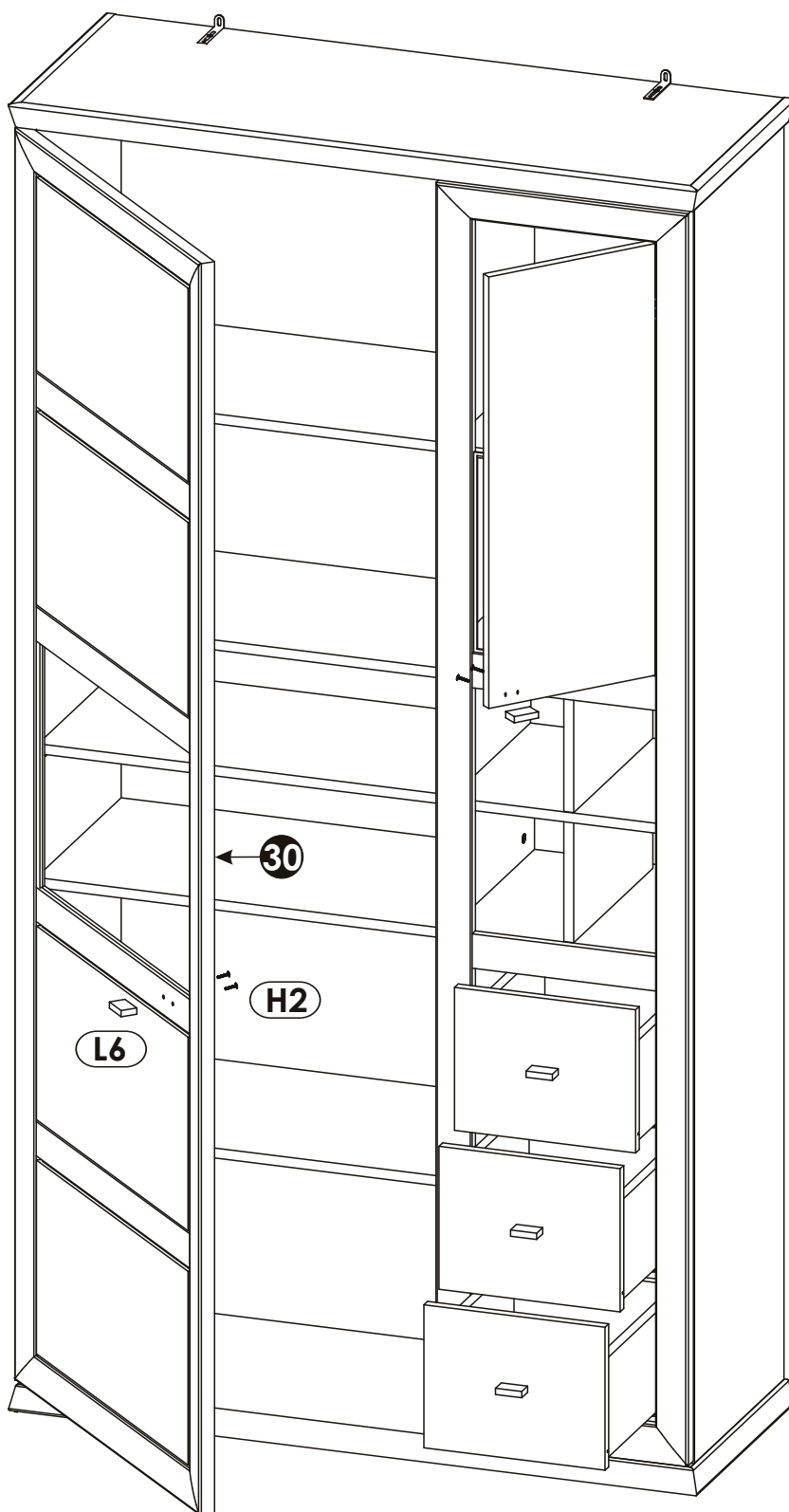
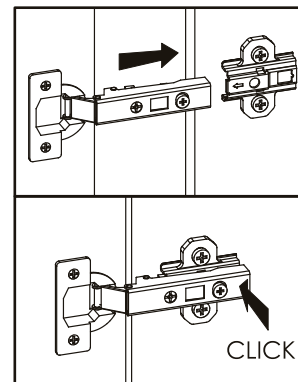


x2



35 ▶

H2	4 x 22 mm	x4	L6		x2
					



36▶

