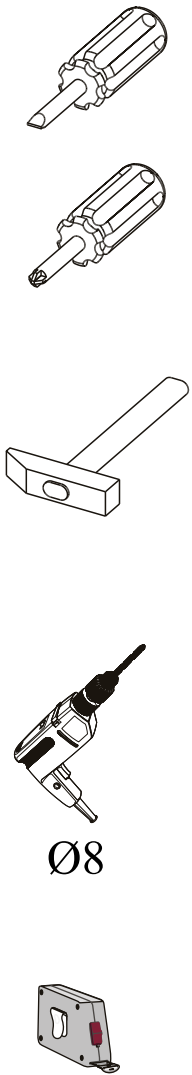
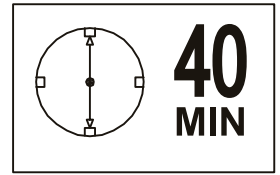
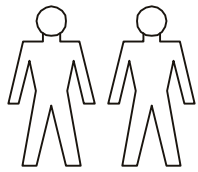
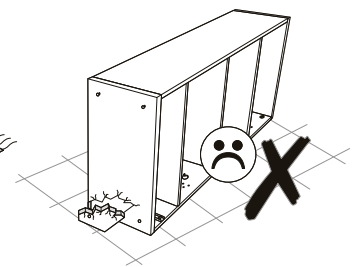
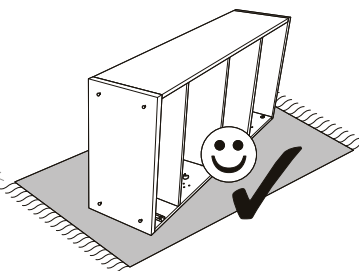
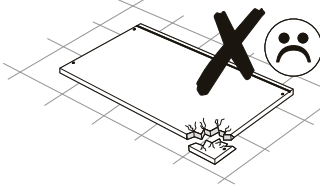
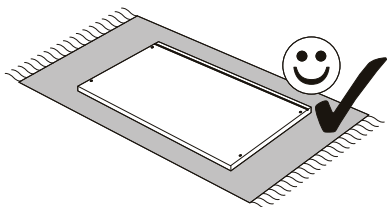
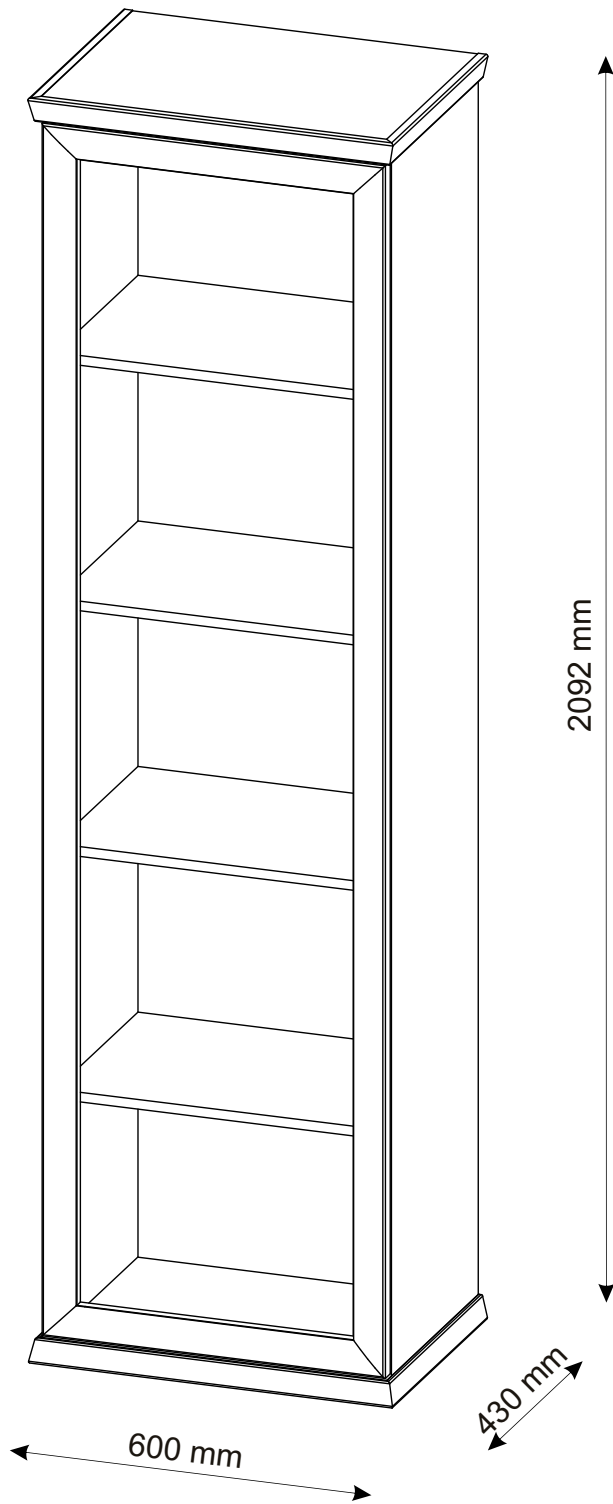



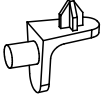




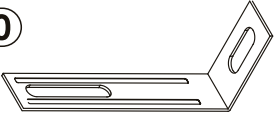
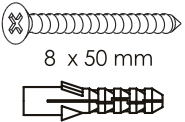

# CAMRON/BENTON - STANDREGAL TYP 4B

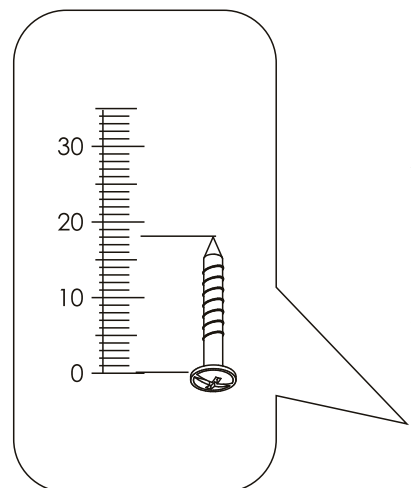
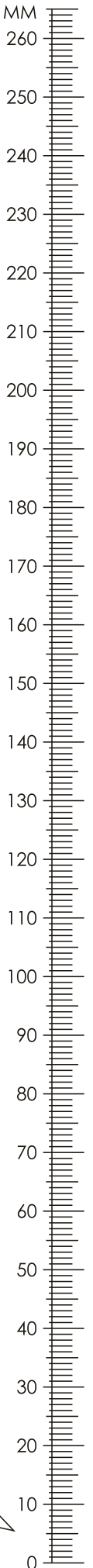


Ø8

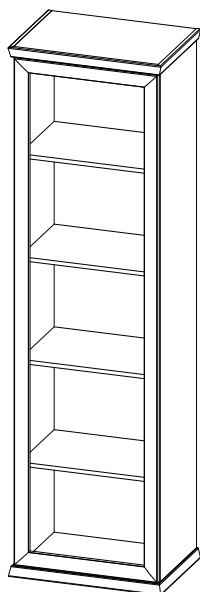



# CAMRON/BENTON - STANDREGAL TYP 4B

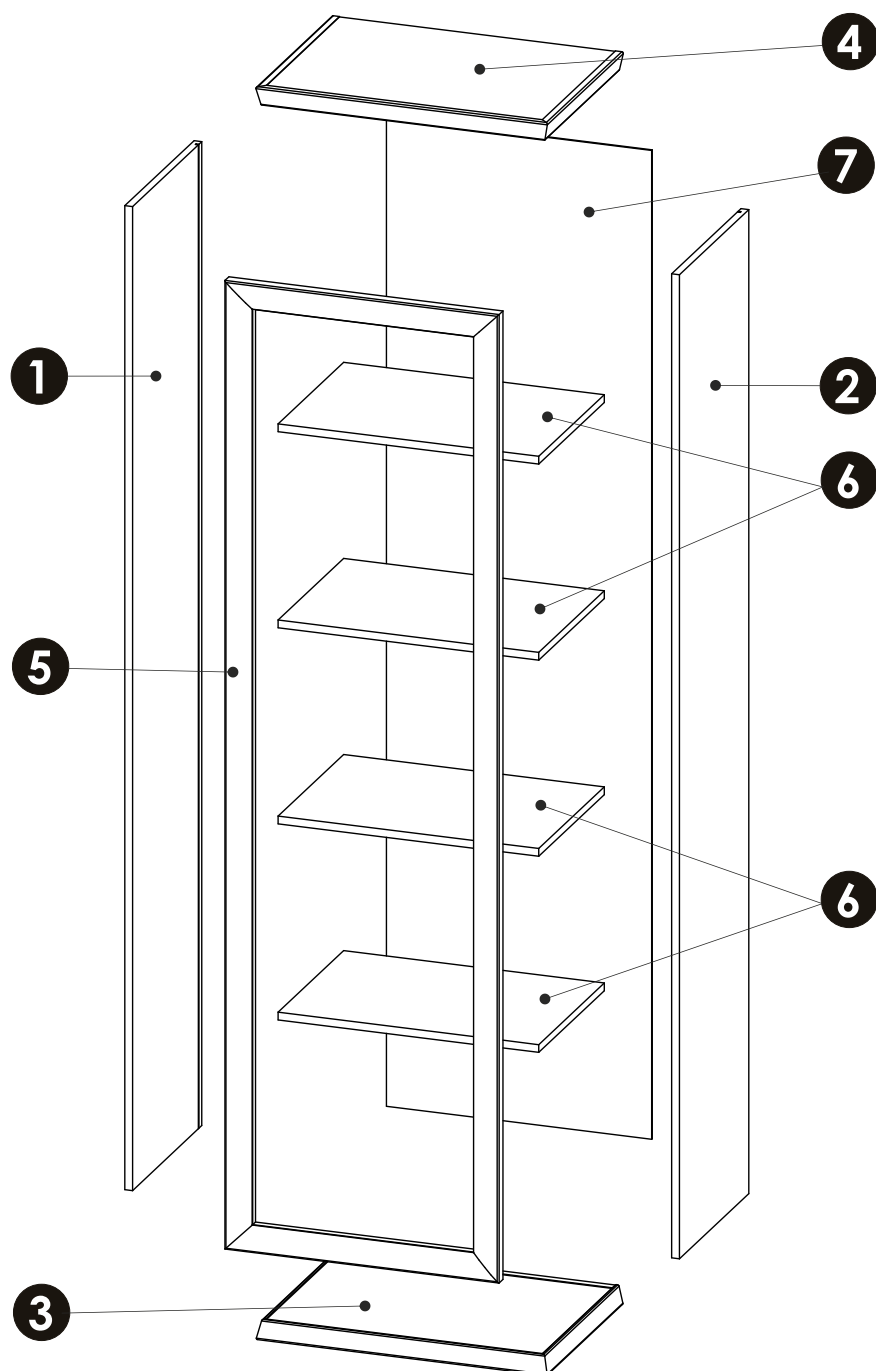
<b>(C2)</b>  <b>x16</b>	<b>(Q3)</b>  <b>x16</b>	<b>(C0)</b>  <b>x16</b>
<b>(D0)</b> 3 x 15 mm  <b>x16</b>	<b>(M1)</b>  <b>x16</b>	<b>(D21)</b> 5 x 13 mm  <b>x1</b>
<b>(P0)</b>  <b>x1</b>	<b>(E0)</b> 5 x 50 mm 8 x 50 mm  <b>x1</b>	<b>(U2)</b>  <b>x4</b>

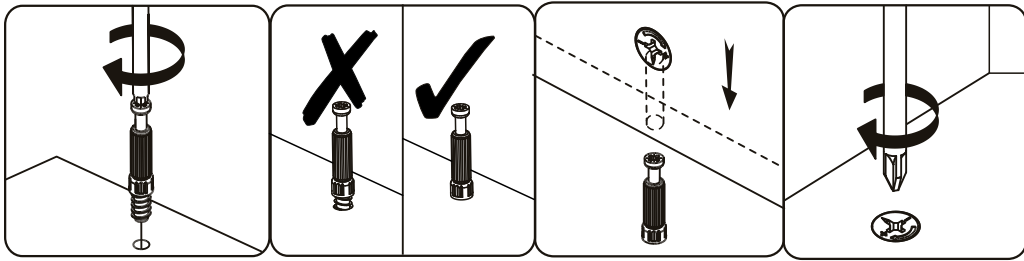


# CAMRON/BENTON - STANDREGAL TYP 4B

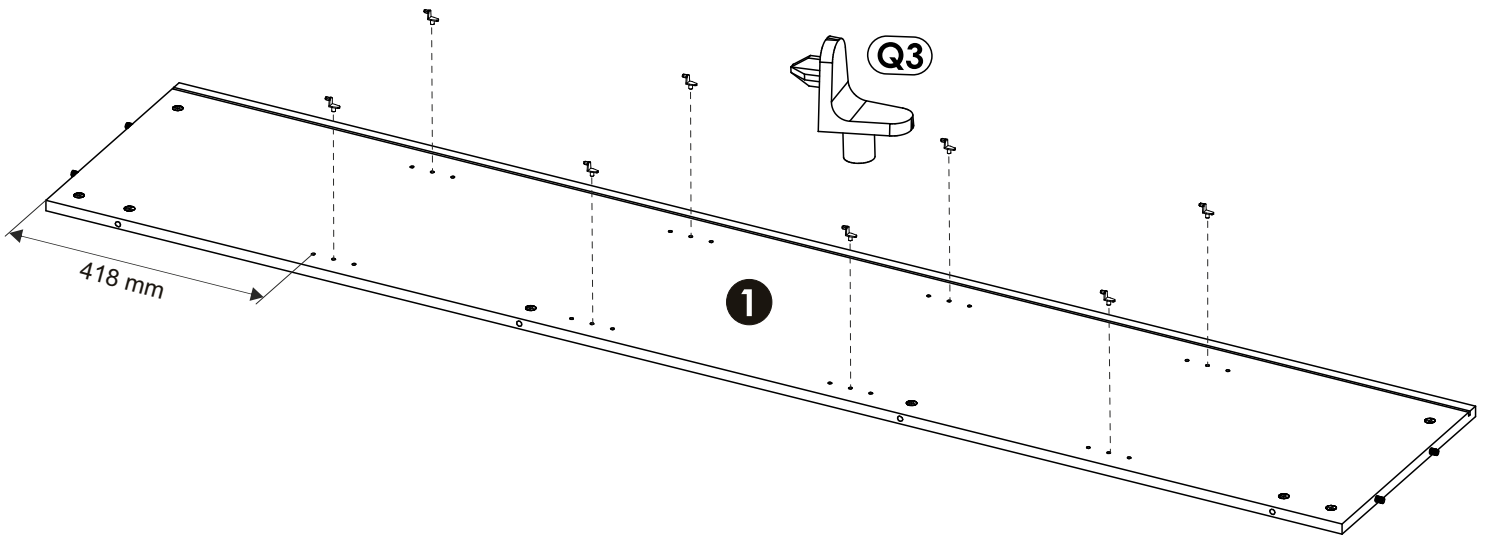
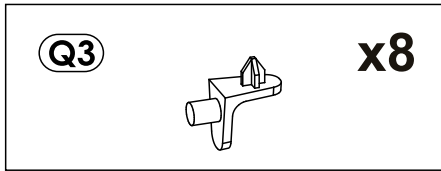


<b>1</b>	2032	393	16 x1	1/3
<b>2</b>	2032	393	16 x1	1/3
<b>3</b>	600	430	40 x1	2/3
<b>4</b>	600	430	40 x1	2/3
<b>5</b>	2000	566	25 x1	3/3
<b>6</b>	538	372	16 x4	1/3
<b>7</b>	2042	548	2.8 x1	3/3
				1/3

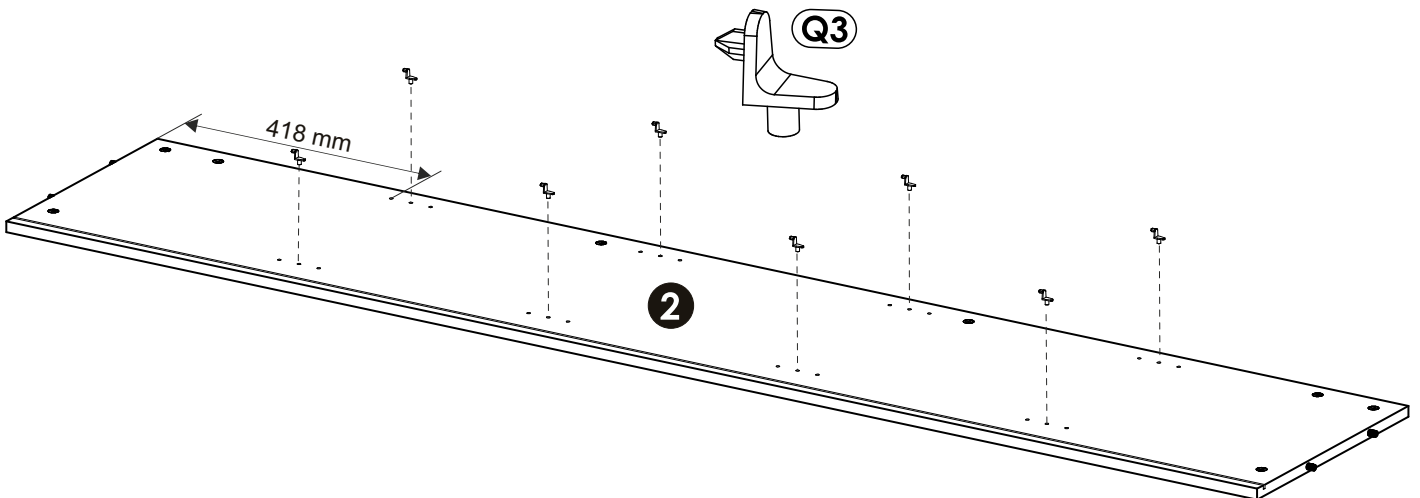
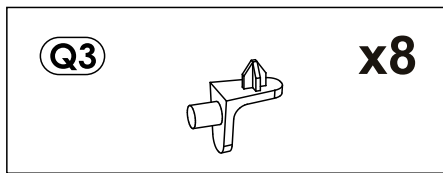




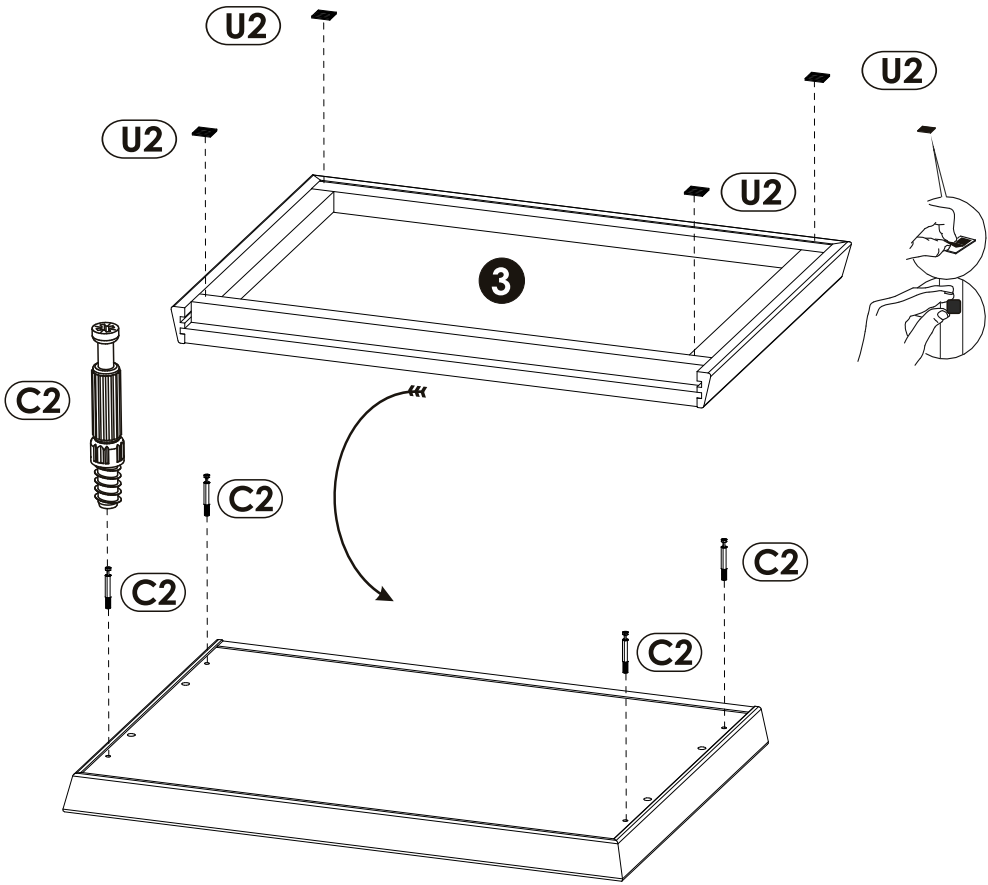
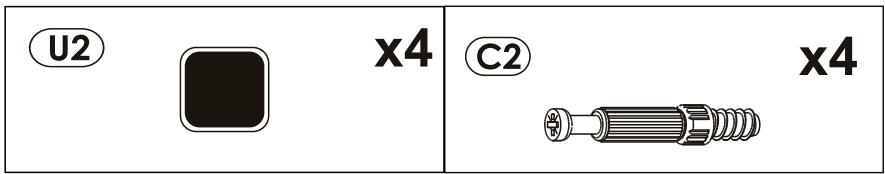
1 ▶



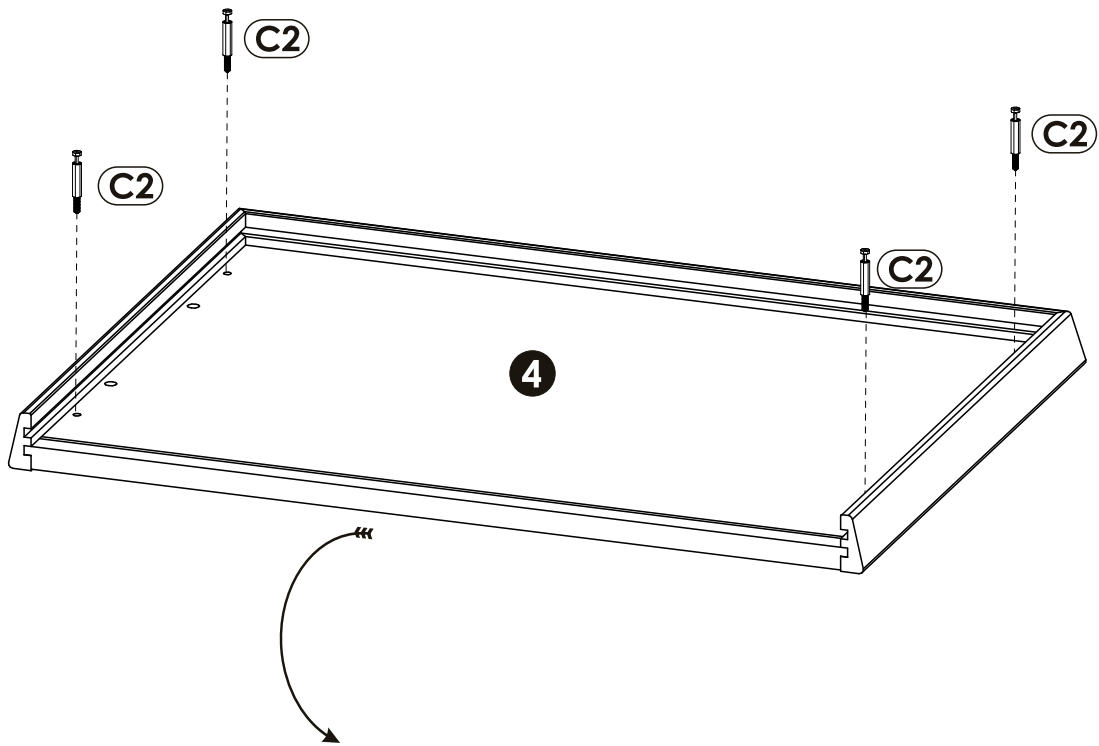
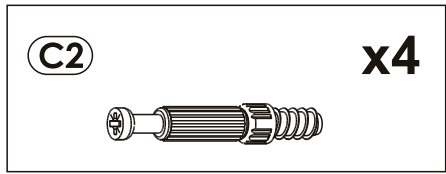
2 ▶

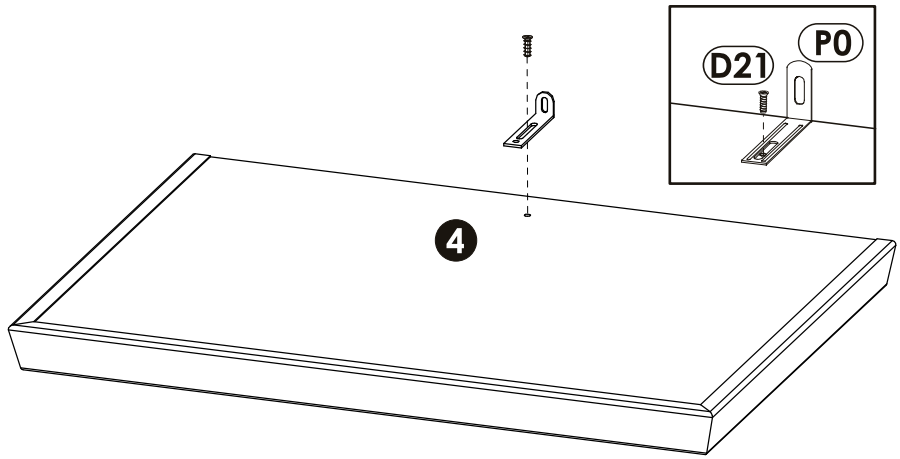
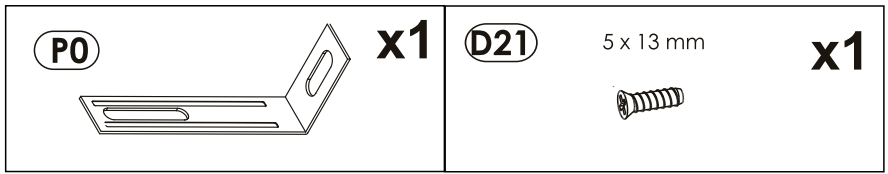


3 ▶

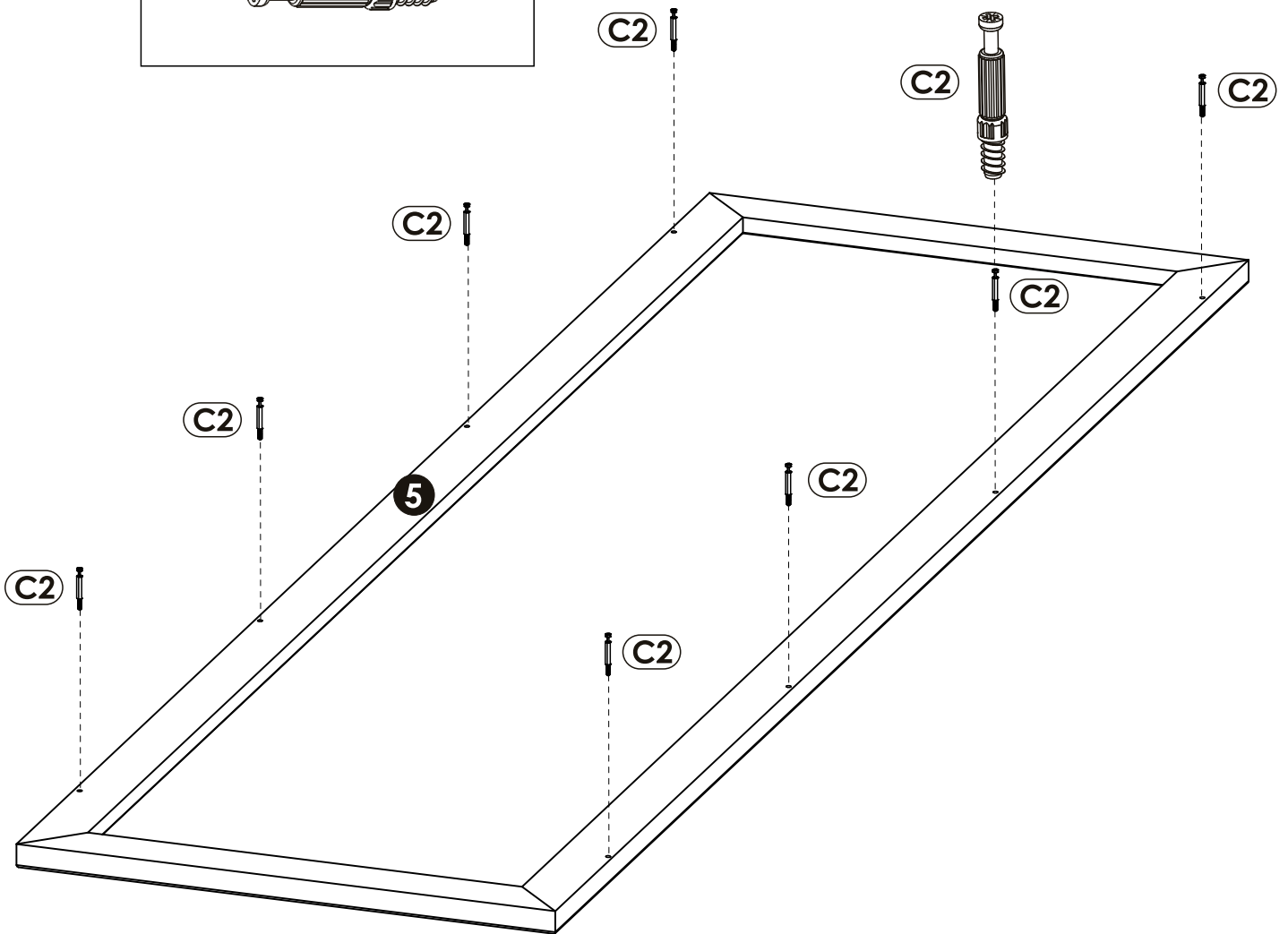
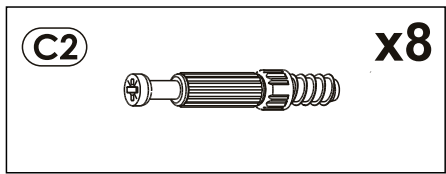


4 ▶

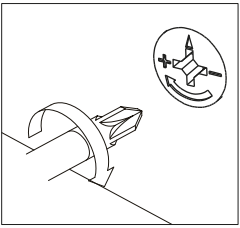
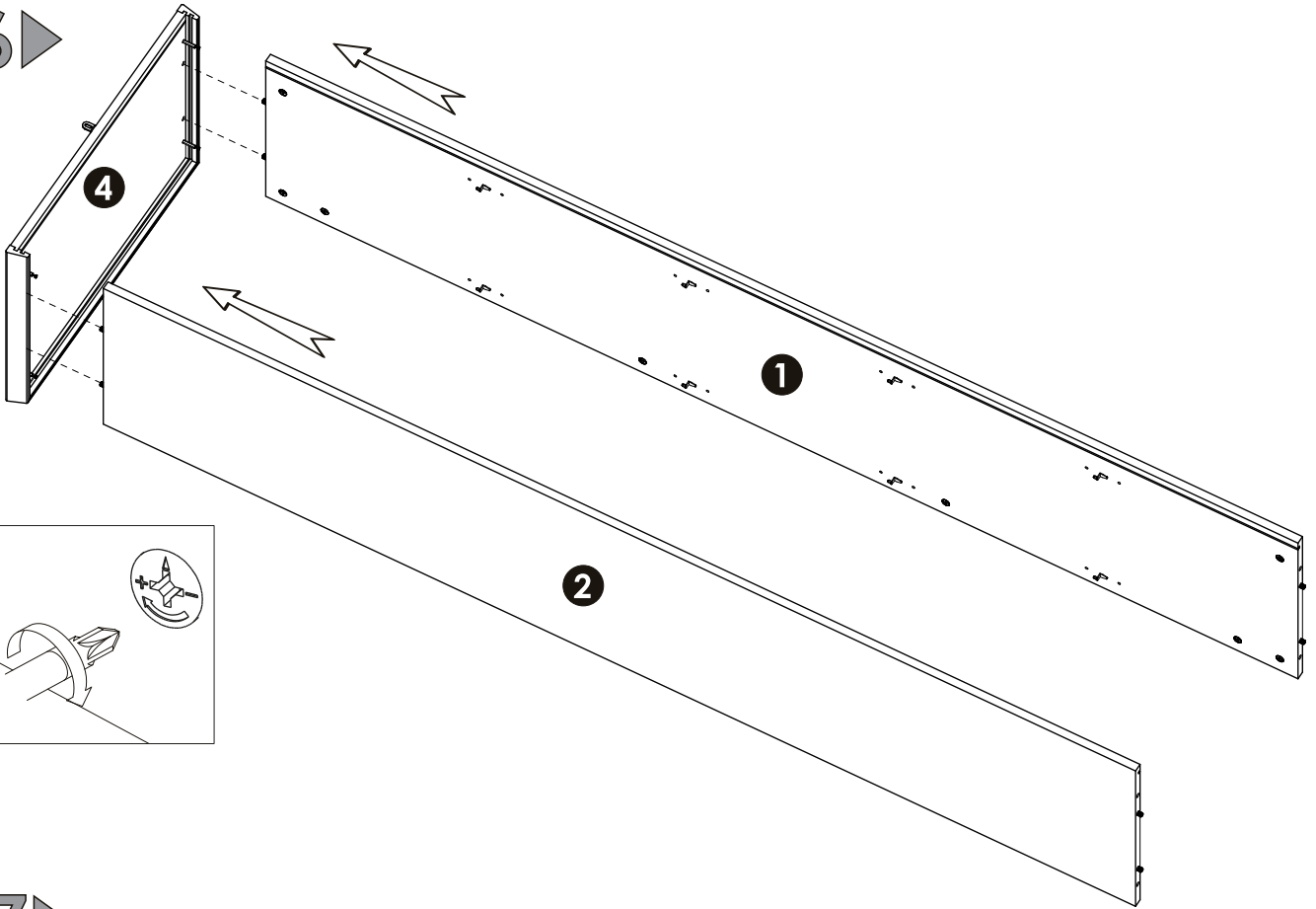




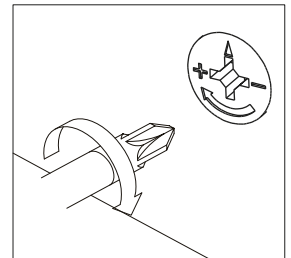
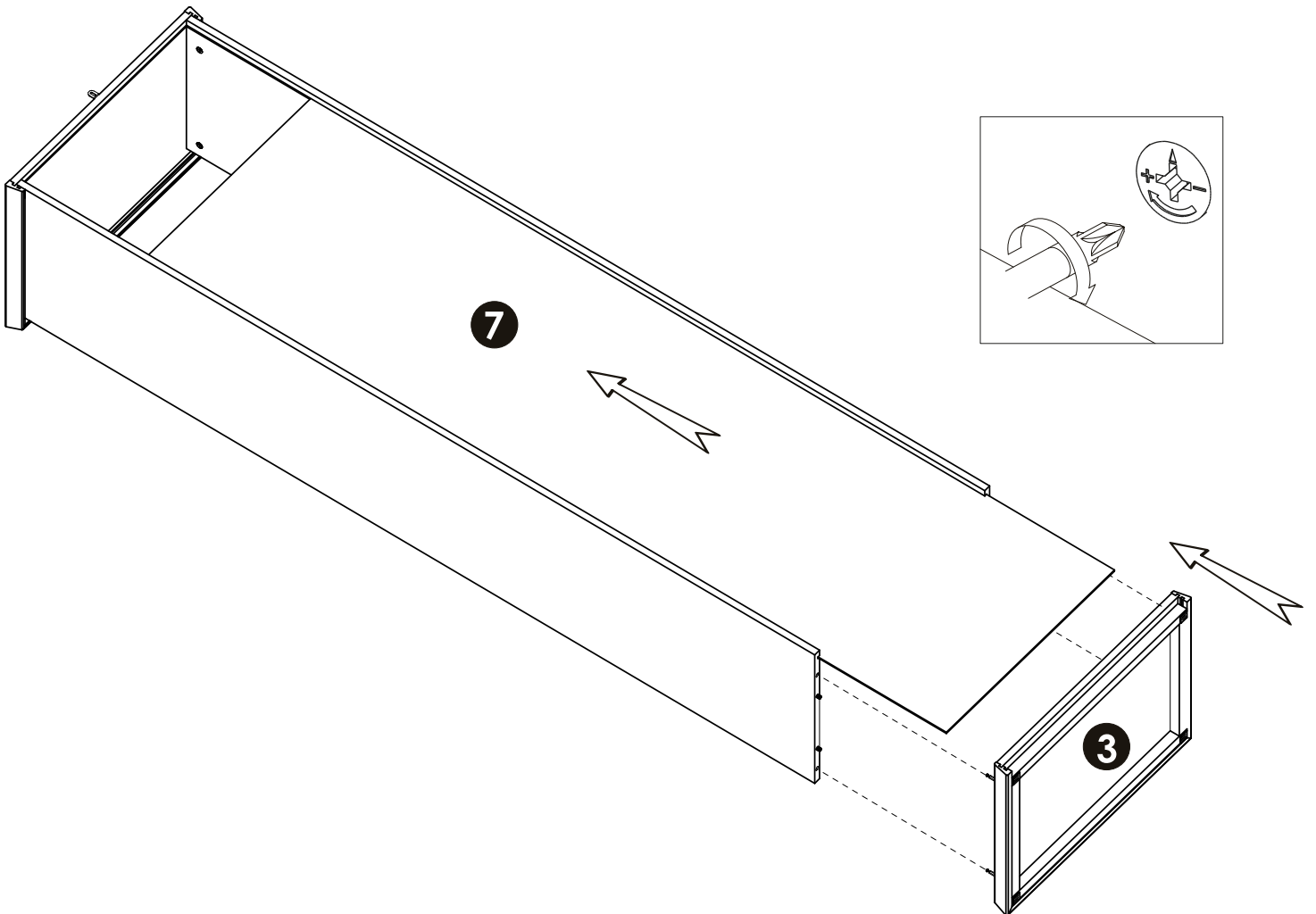
5 ▶





6 ▶

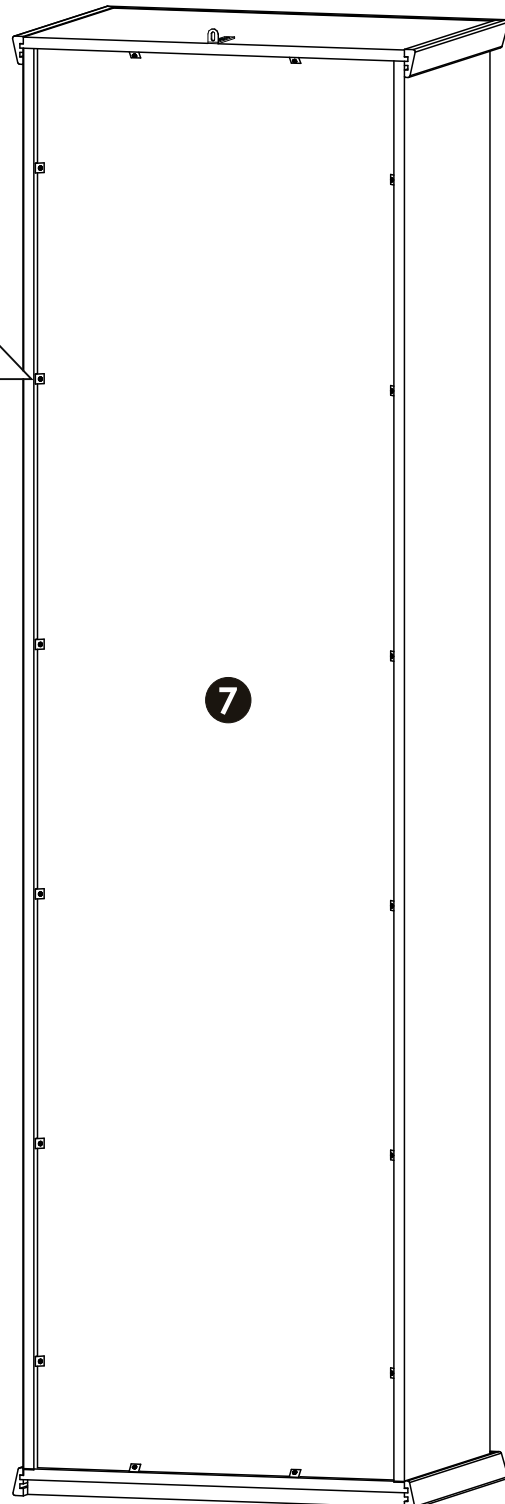
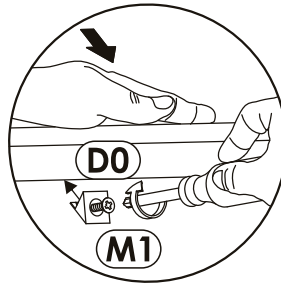
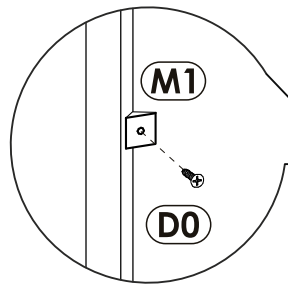
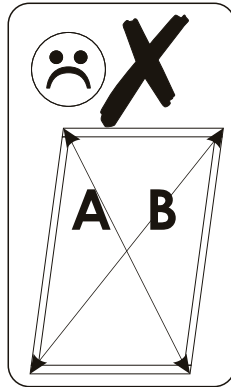
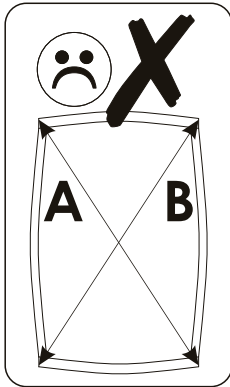
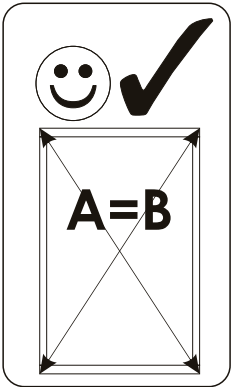


7 ▶

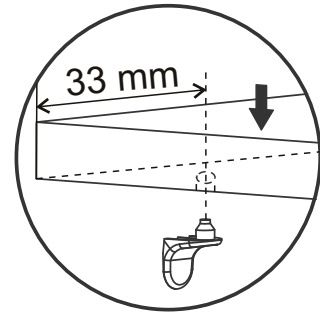
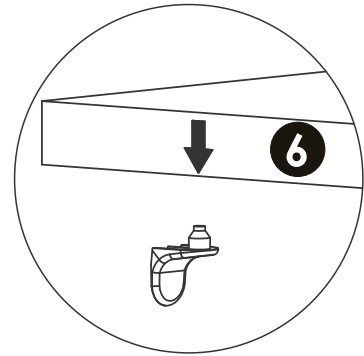
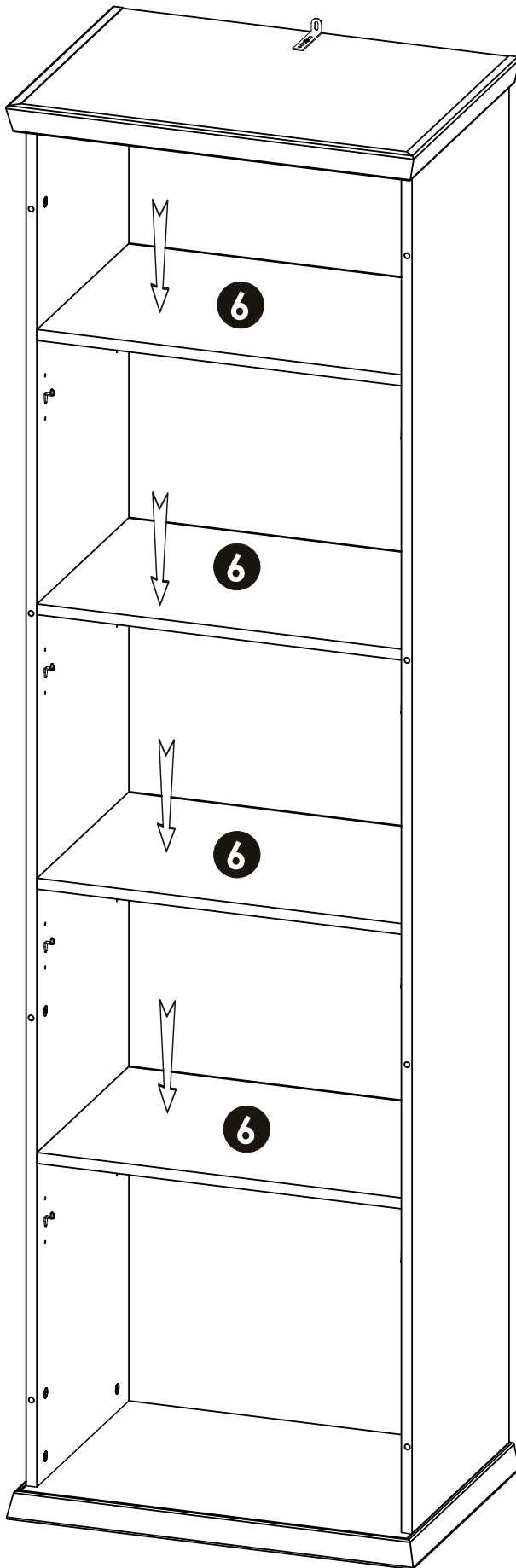


8 ▶

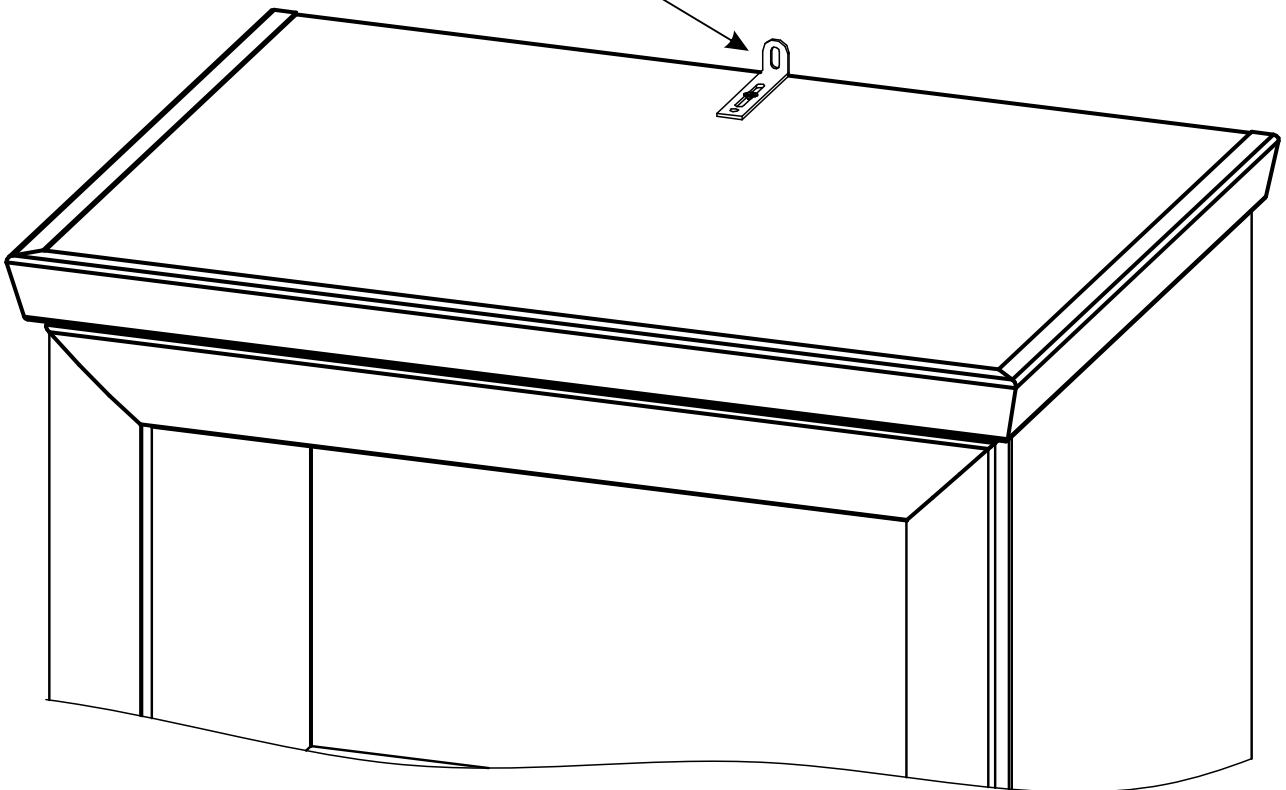
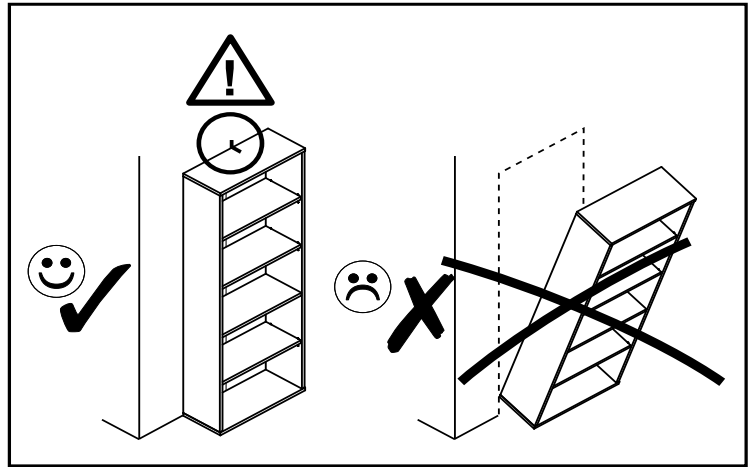
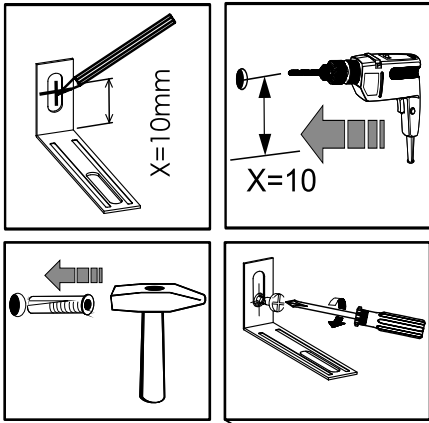
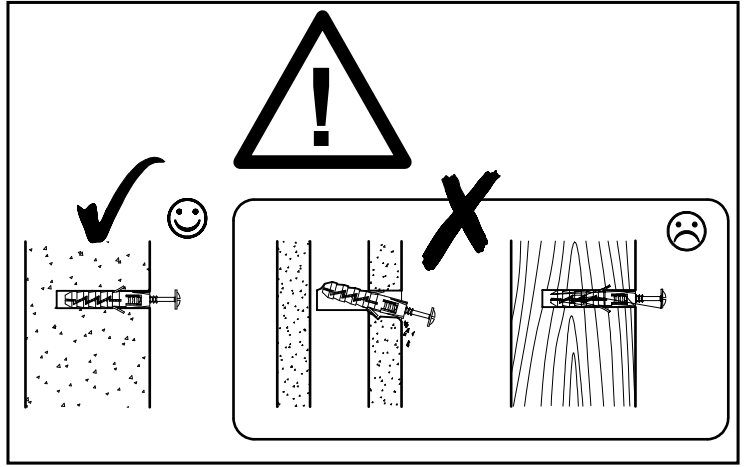
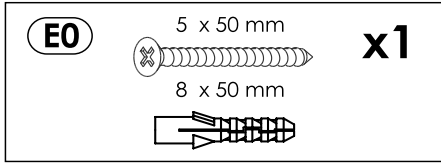
<b>(D0)</b>	3 x 15 mm 	<b>x16</b>	<b>(M1)</b>		<b>x16</b>
-------------	--	------------	-------------	---	------------











12▶

