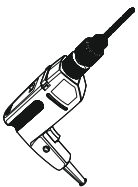
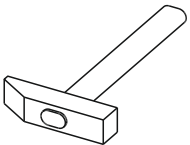
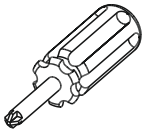
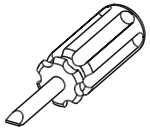
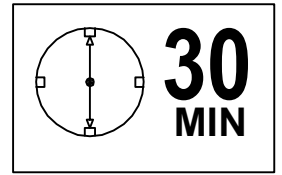
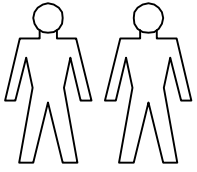
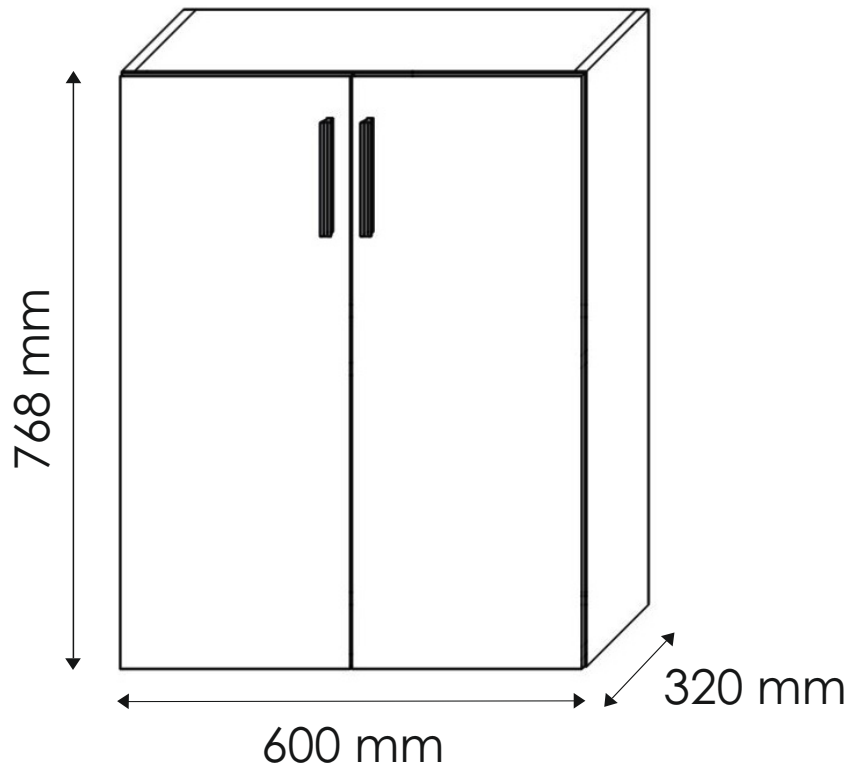


JACK - KOMMODE(1B2T)



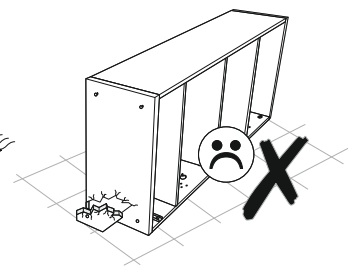
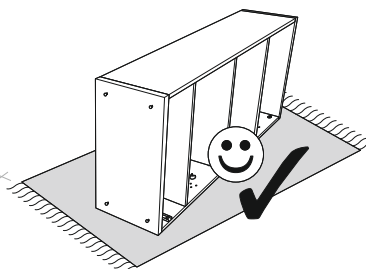
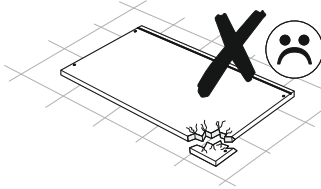
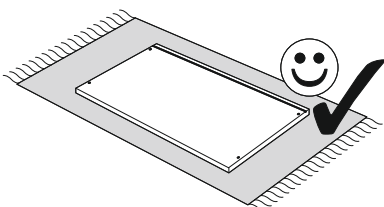
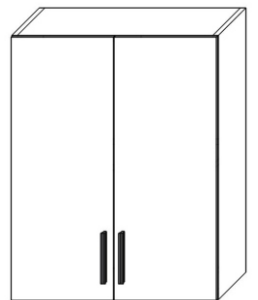
Ø8




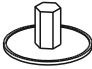



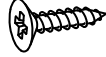
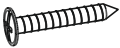

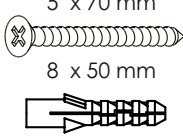
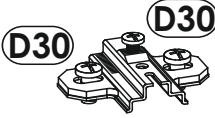
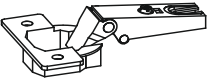
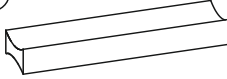
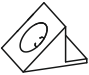
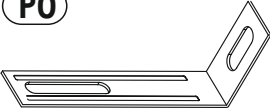
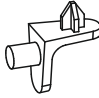
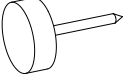

A

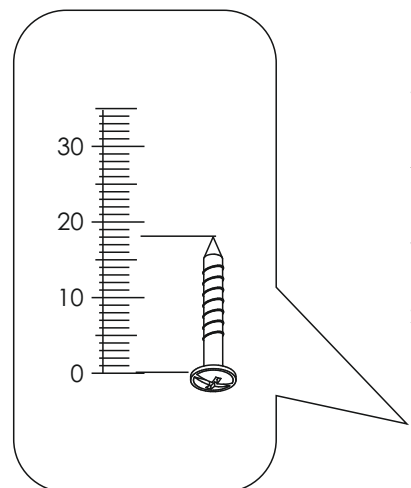
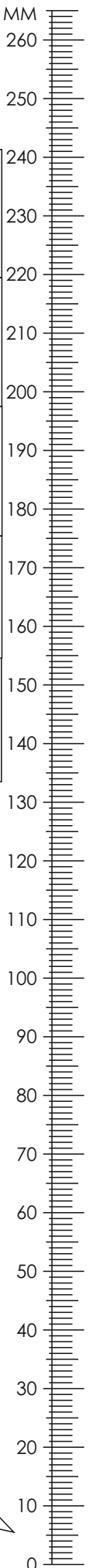


B



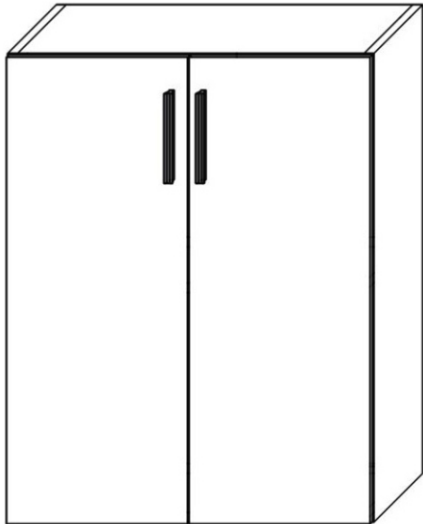
JACK - KOMMODE(1B2T)

A0 8 x 30mm x8 	C0  x4	C2  x8
C7 16mm  x8	D0 3 x 15 mm  x8	D10 4 x 16 mm  x8
D16 4 x 30 mm  x8	D21 5 x 13 mm  x1	E0 5 x 70 mm 8 x 50 mm  x1
J6 D30  x4	J8  x4	L0  x2
M1  x8	P0  x1	Q3  x4
T3  x4	U0  x4	

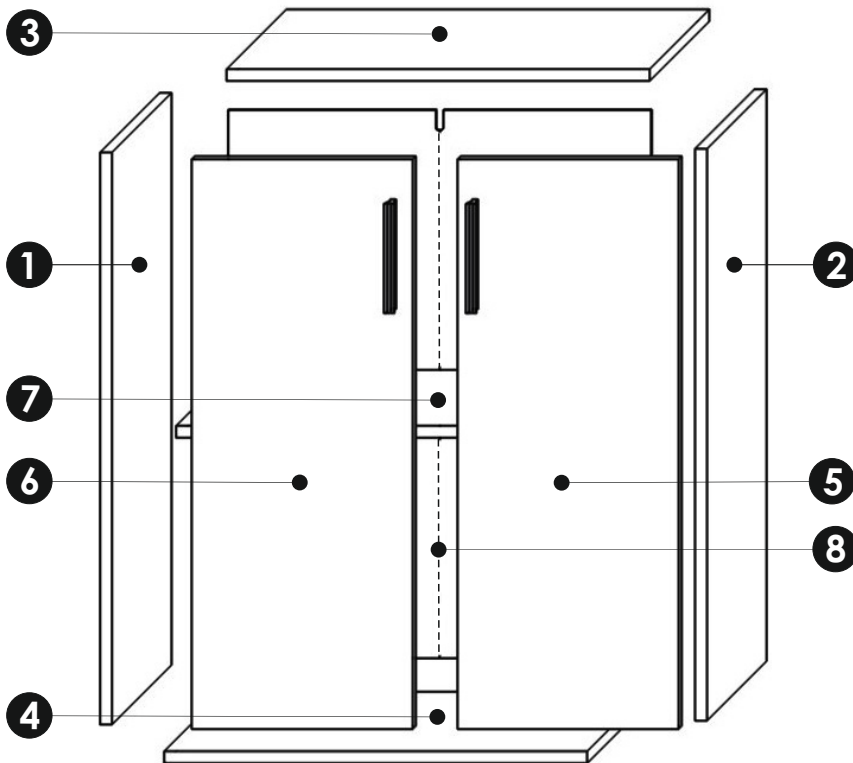
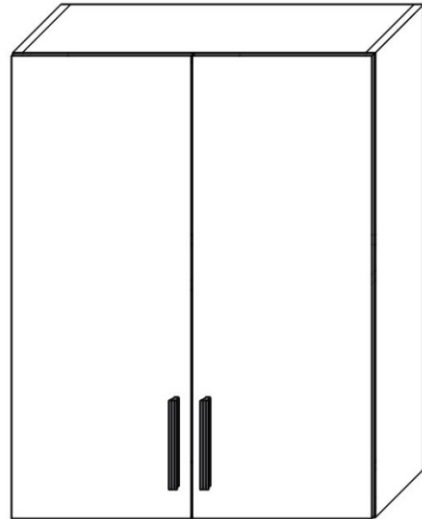



JACK - KOMMODE(1B2T)

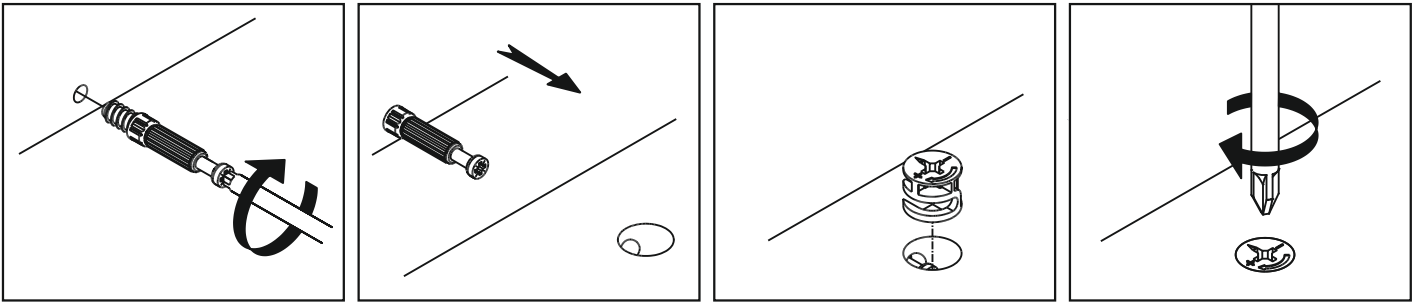
A



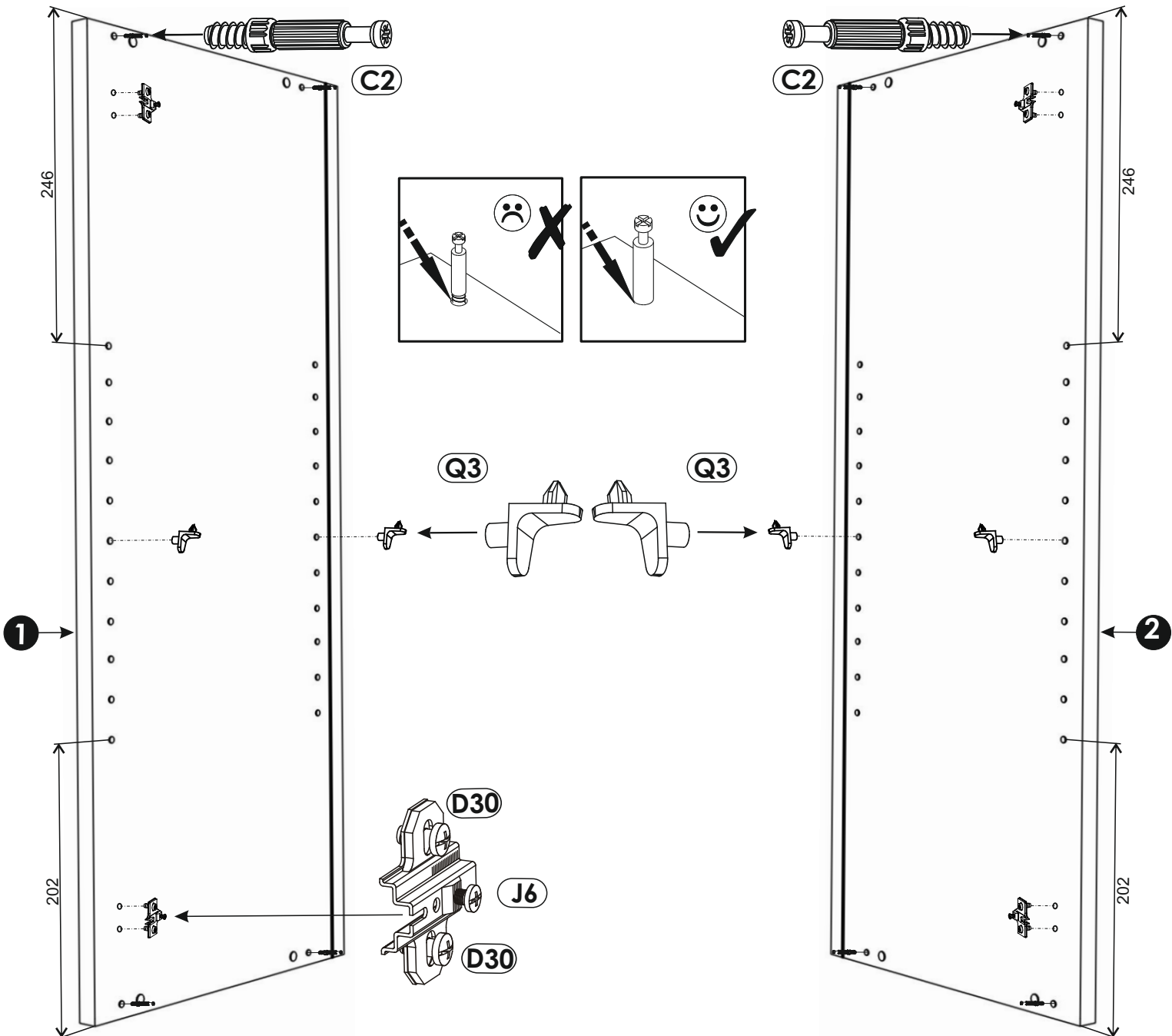
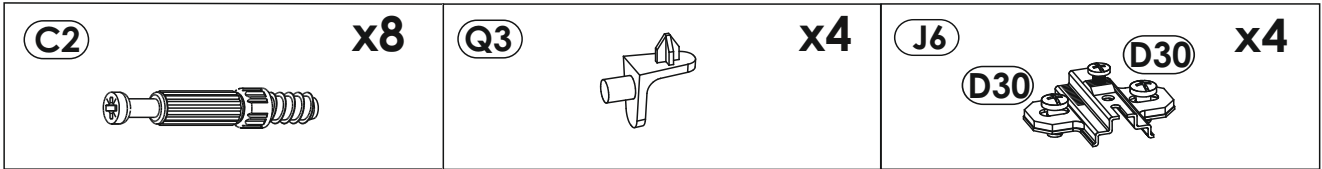
B





1	768	320	16	x1	1/1
2	768	320	16	x1	1/1
3	568	320	16	x1	1/1
4	568	320	16	x1	1/1
5	765	297	16	x1	1/1
6	765	297	16	x1	1/1
7	568	298	16	x1	1/1
8	746	578	3	x1	1/1
					1/1

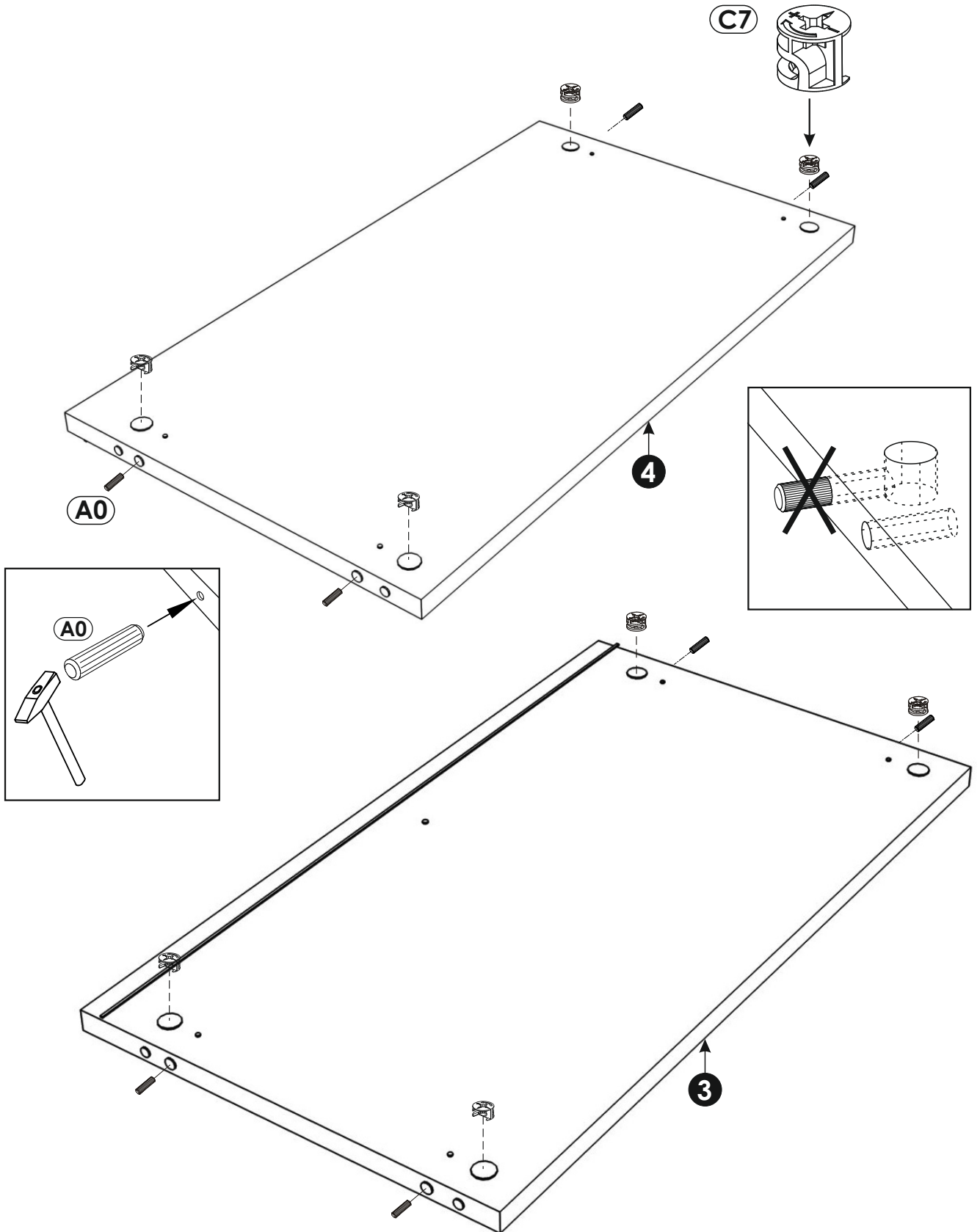


1 ▶

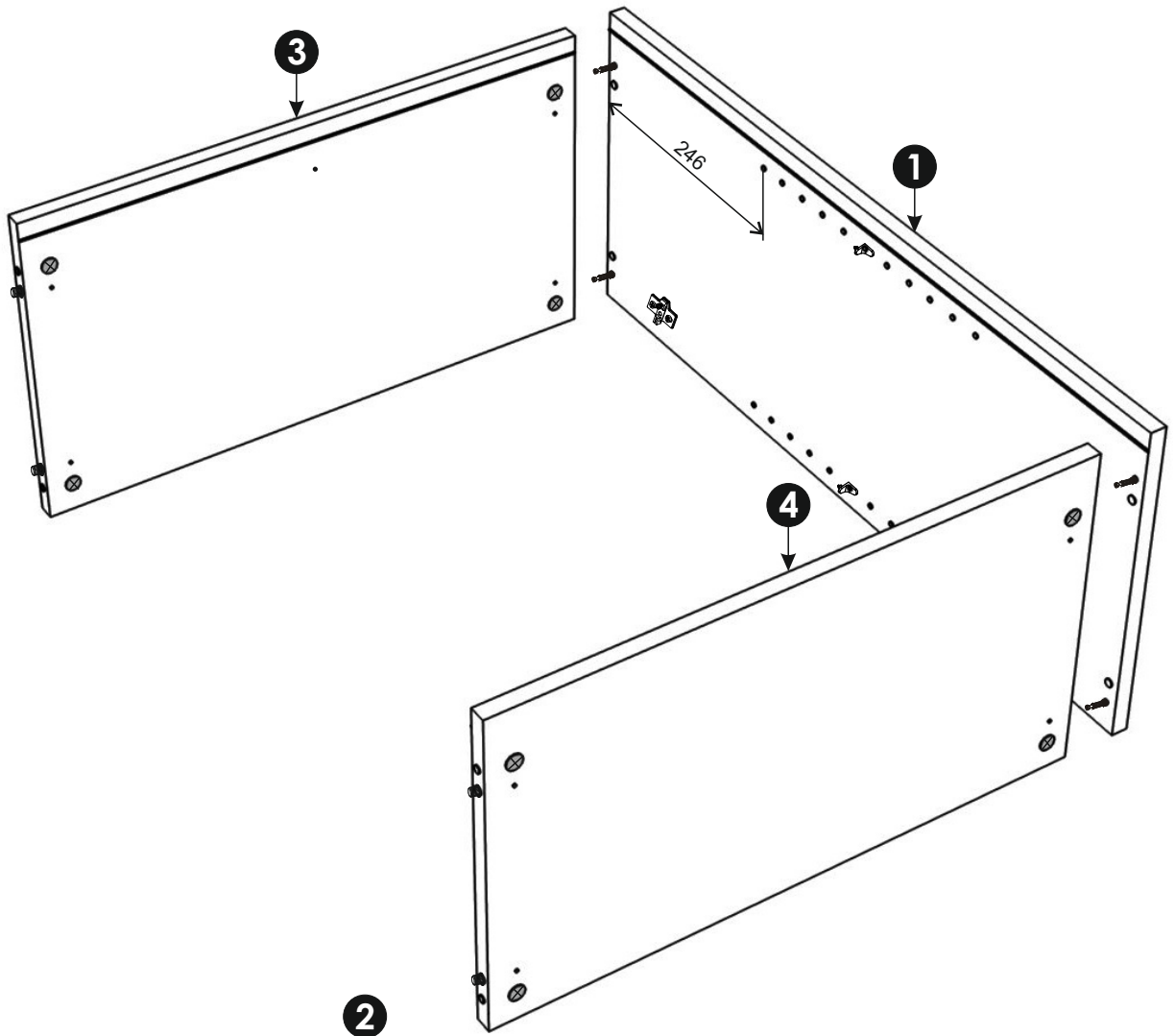


2 ▶

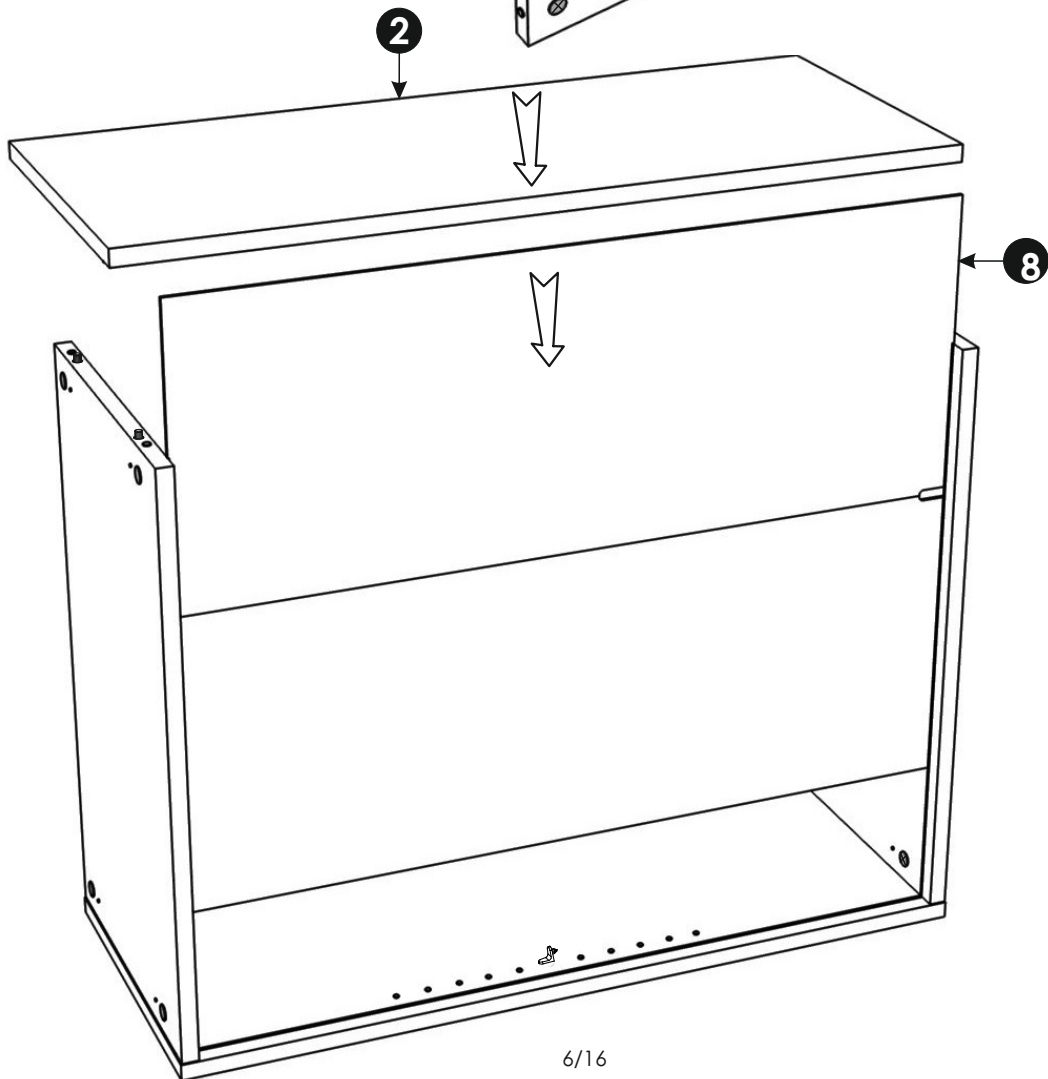
A0	8 x 30mm	x8	C7		x8
			16mm		




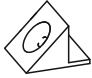
3 ▶

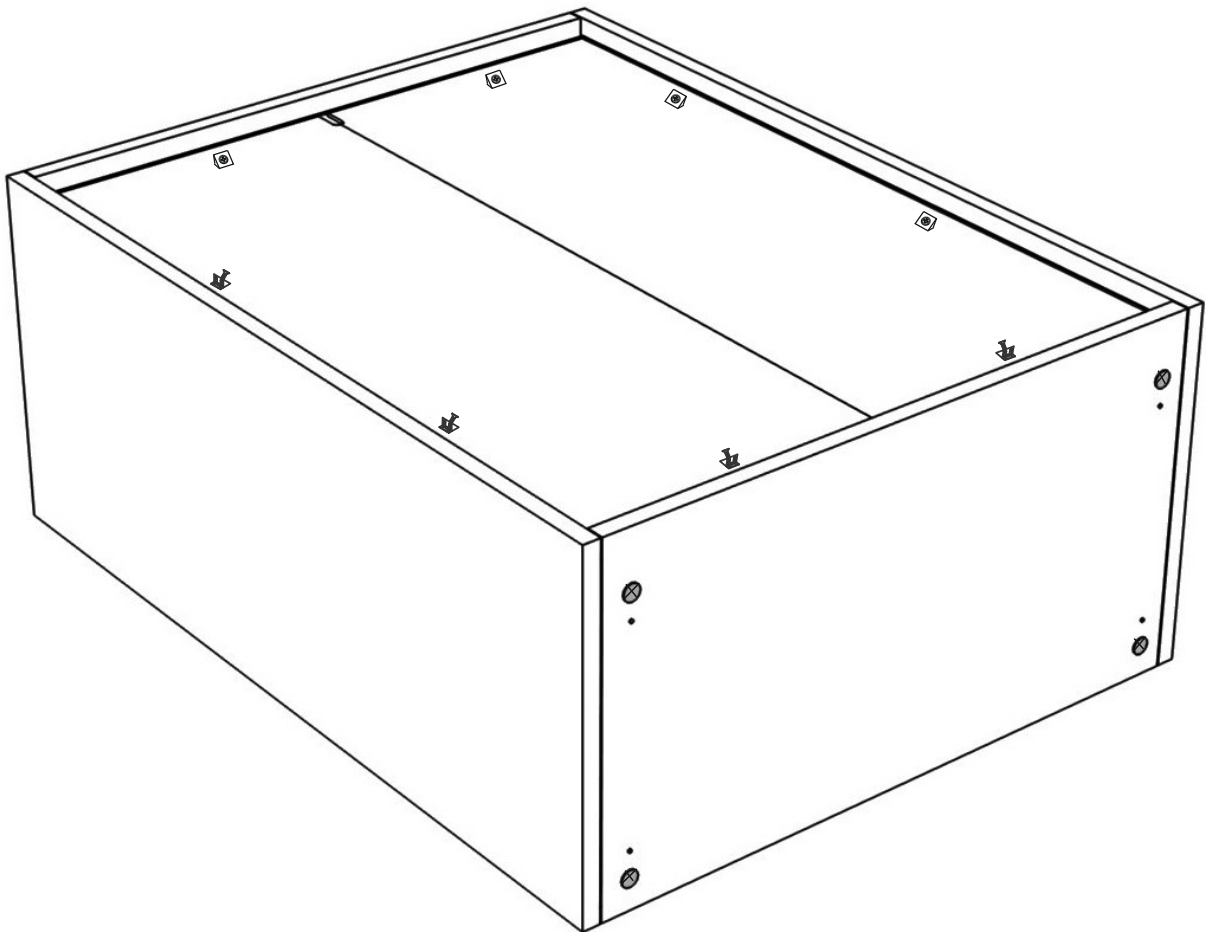
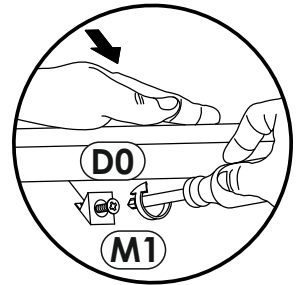
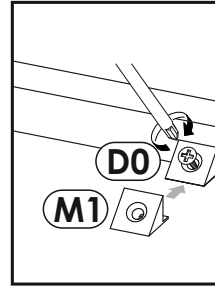
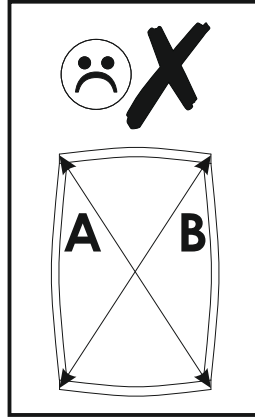
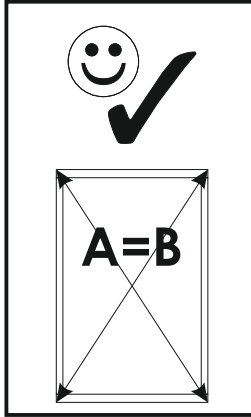


4 ▶

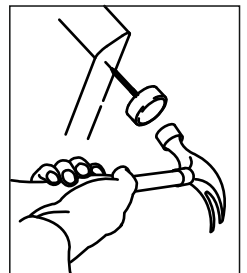
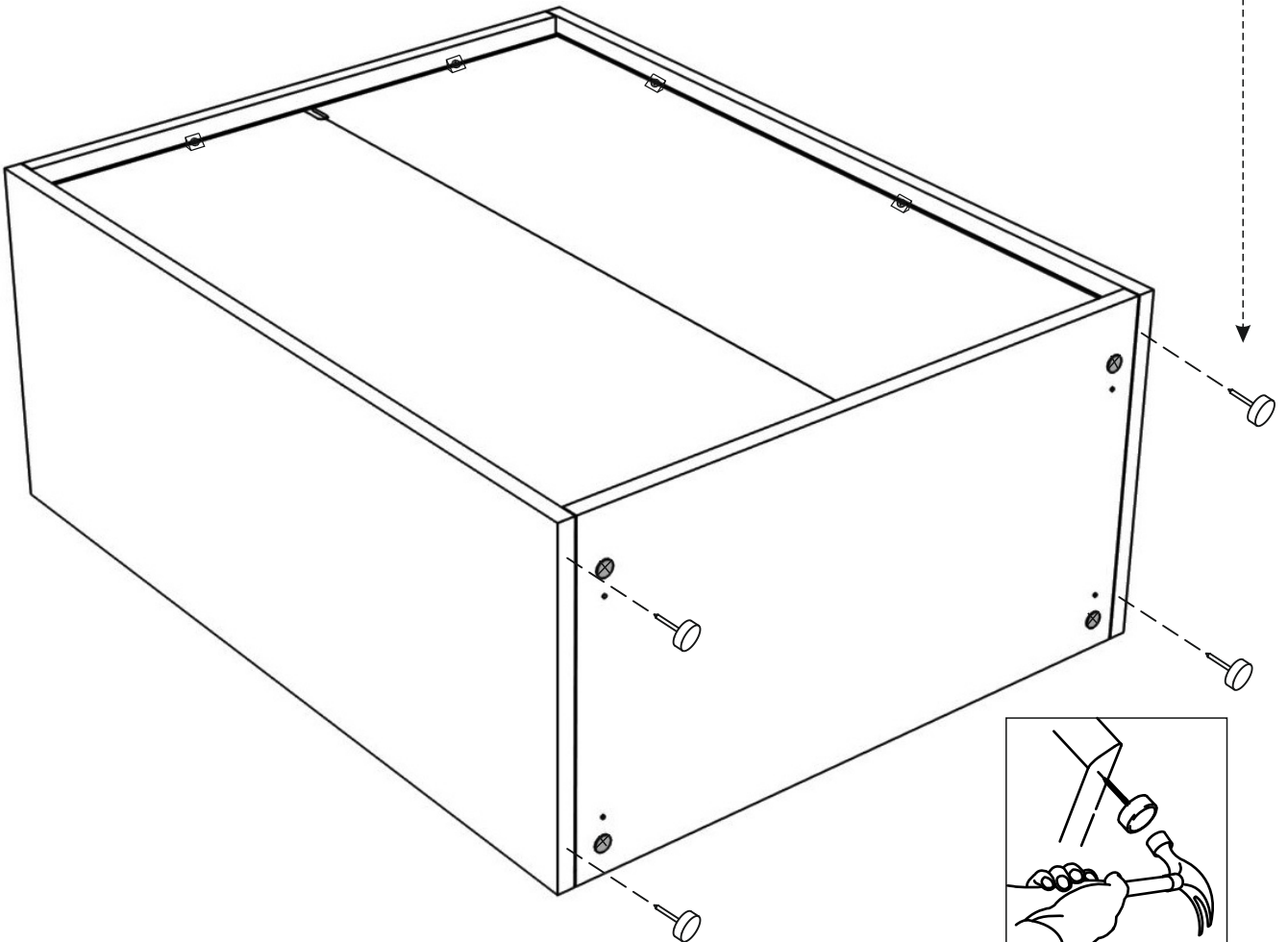
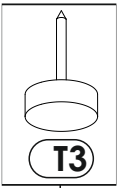
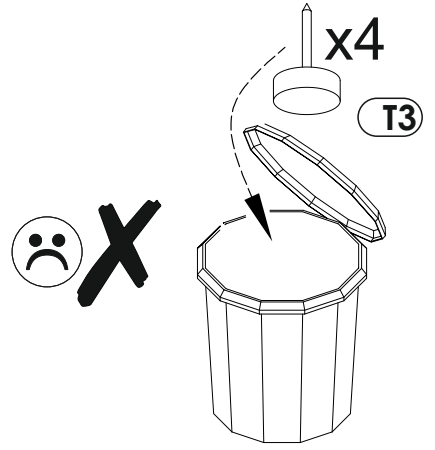
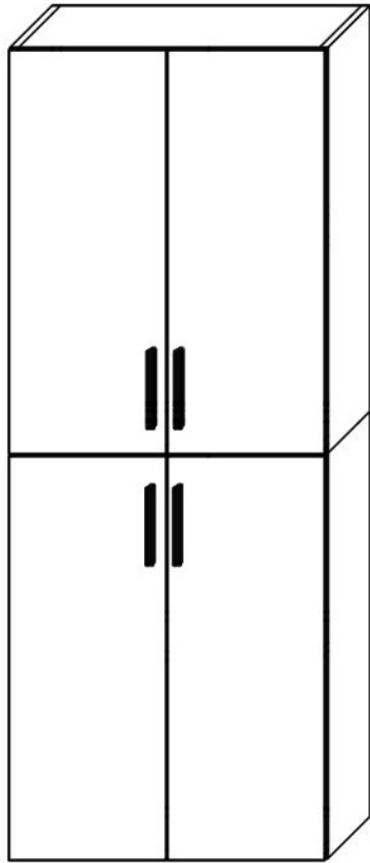
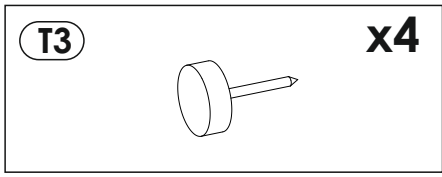


5 ▶


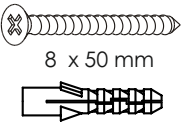
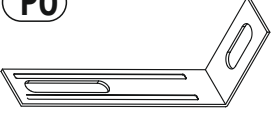
(D0) 3 x 15 mm 	x8	(M1) 	x8
---------------------------------------------------------------------------------------------------------------	-----------	--------------------------------------------------------------------------------------------------	-----------

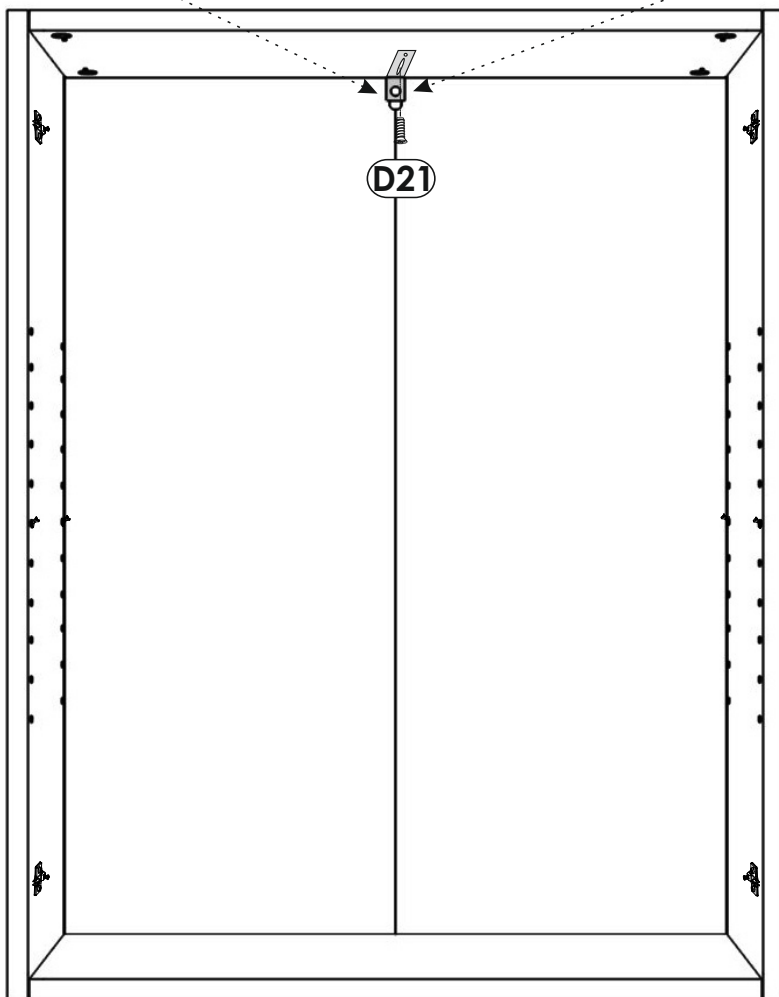
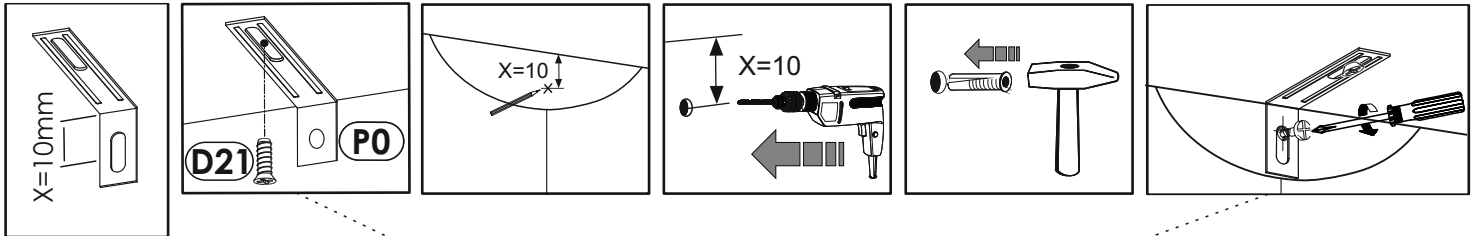
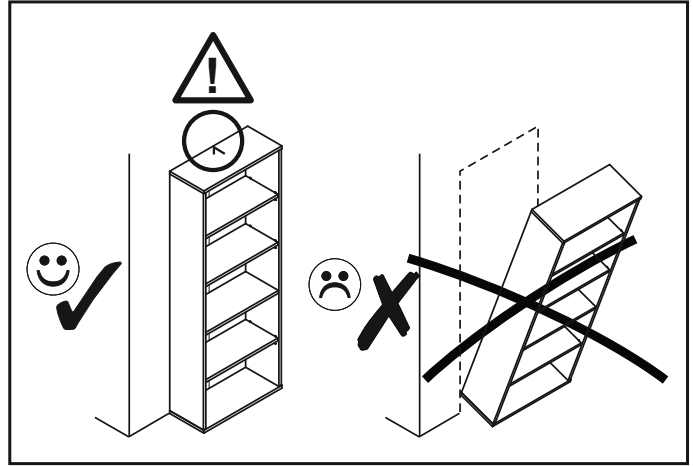
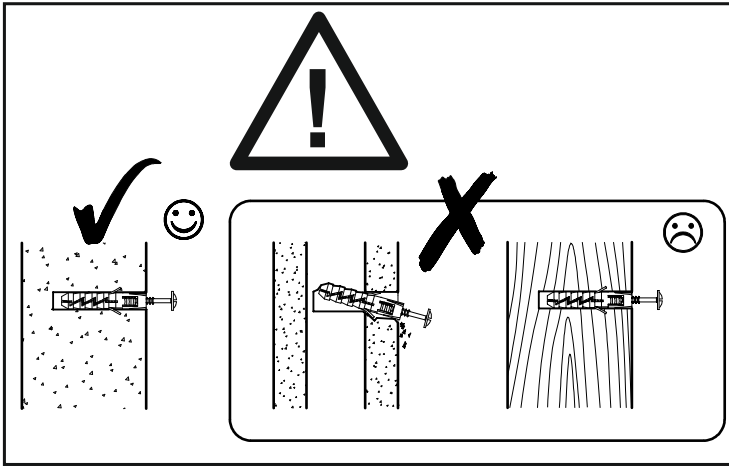


6 ▶

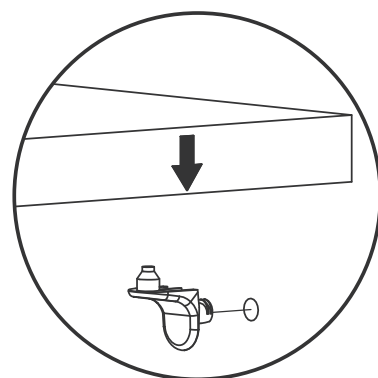
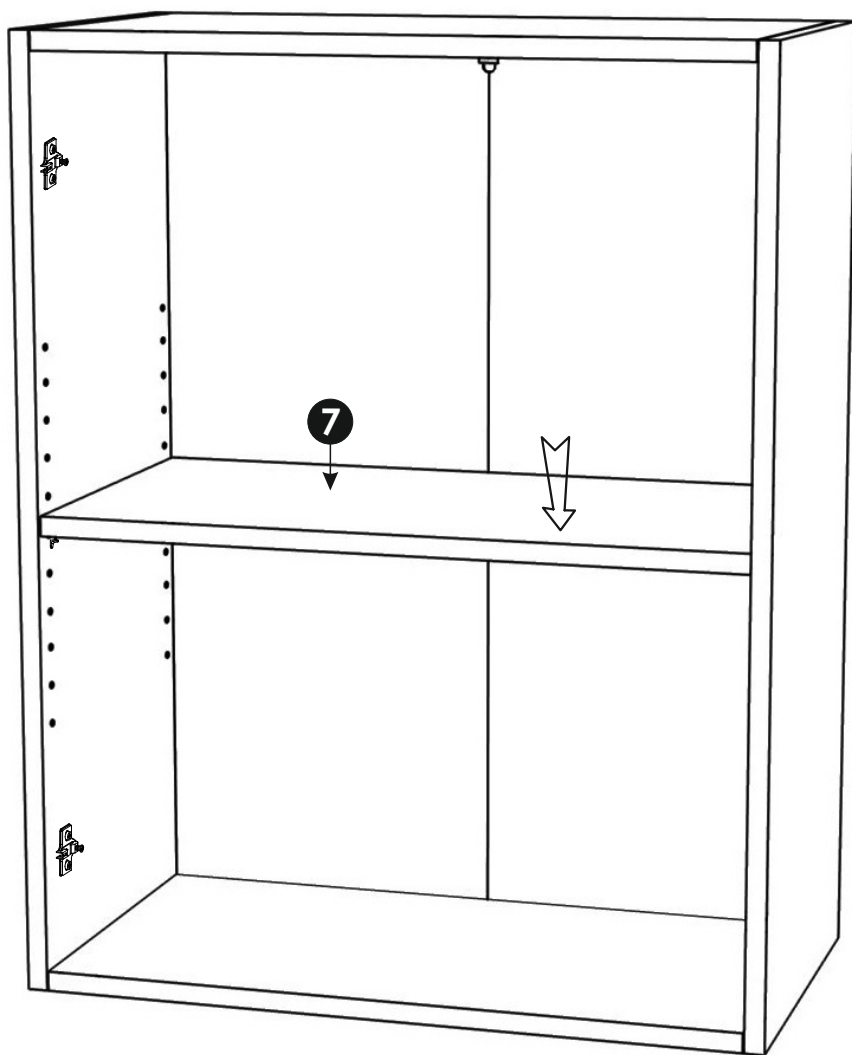
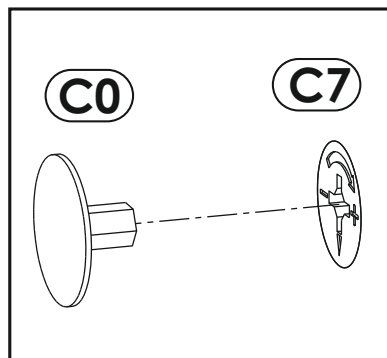
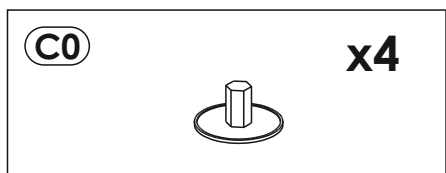


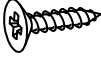
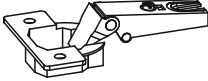

7 ▶

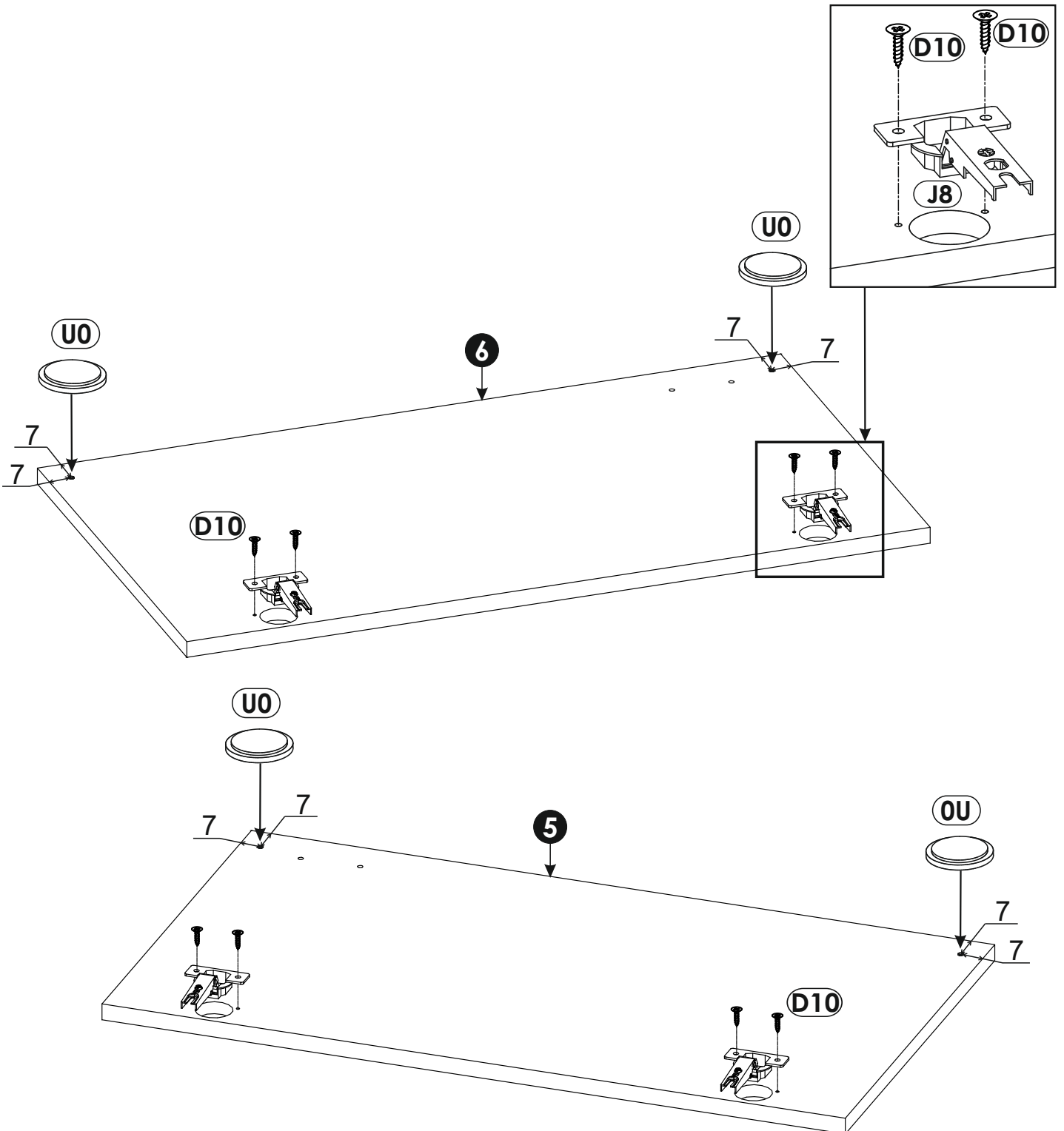
D21 5 x 13 mm 	x1	E0 5 x 70 mm 8 x 50 mm 	x1	P0 	x1
--------------------------------------------------------------------------------------------------------------	-----------	--------------------------------------------------------------------------------------------------------------------------	-----------	--------------------------------------------------------------------------------------------------	-----------




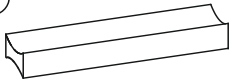
8 ▶

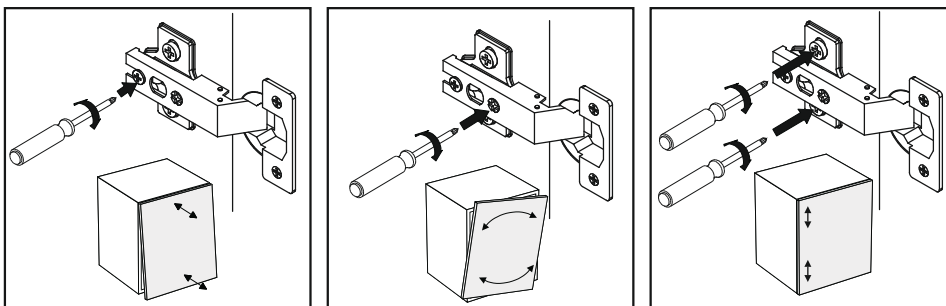
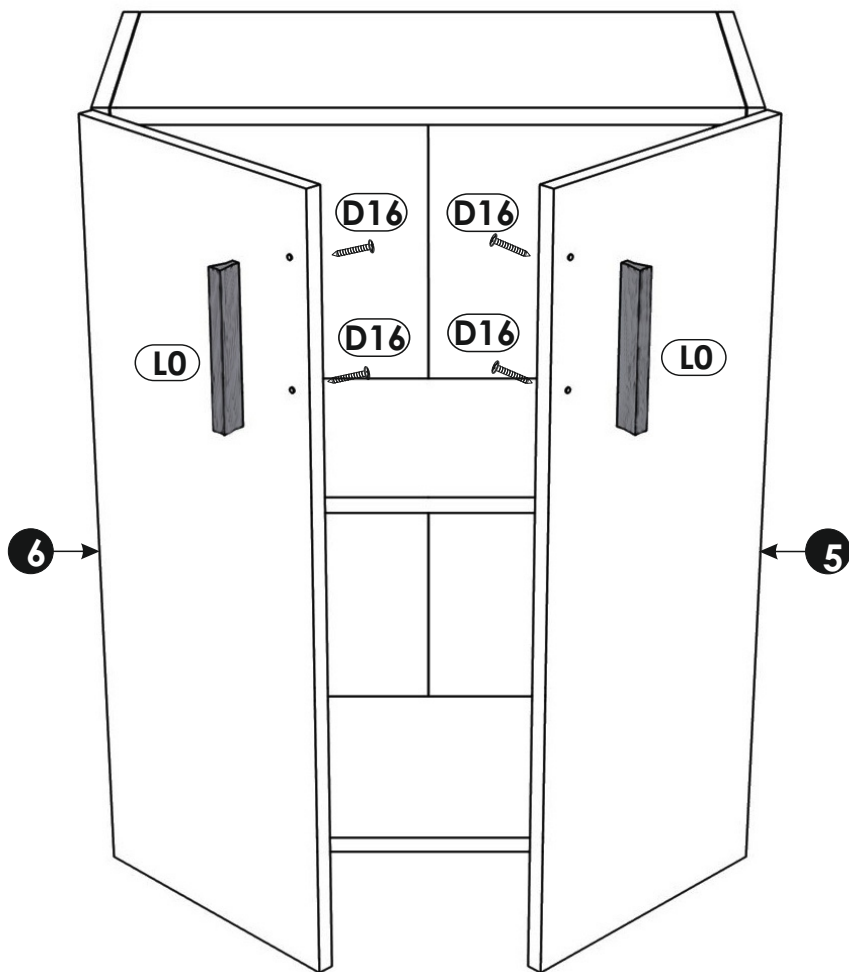
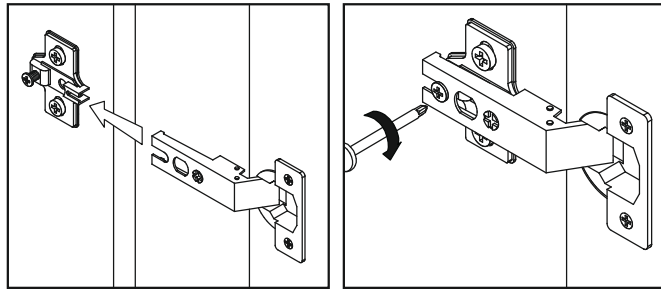


<p>D10 4 x 16 mm x8</p> 	<p>J8 x4</p> 	<p>U0 x4</p> 
-------------------------------------------------------------------------------------------------------------------------	--------------------------------------------------------------------------------------------------------------	----------------------------------------------------------------------------------------------------------------


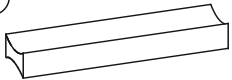


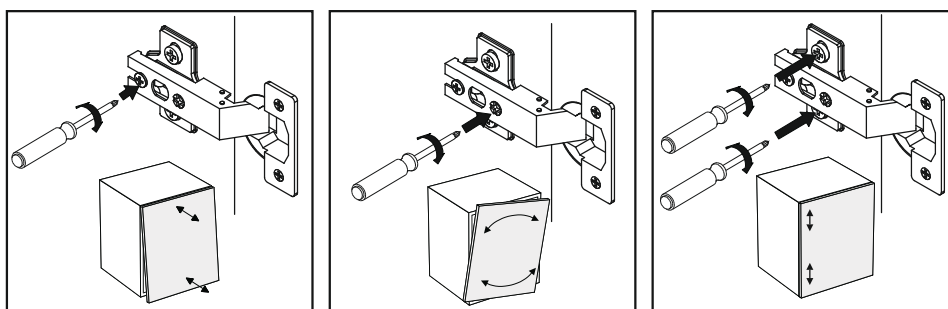
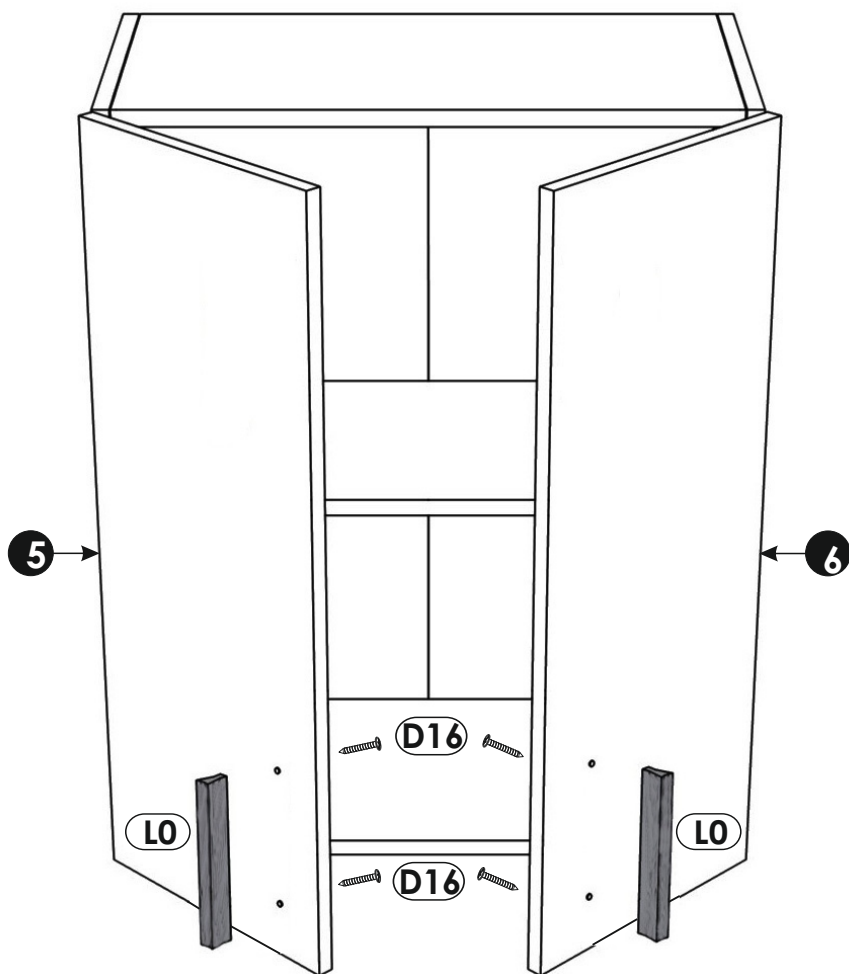
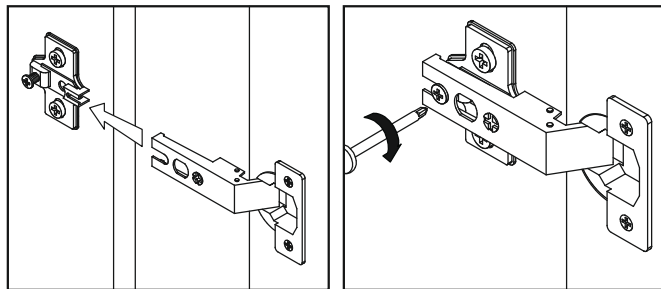
10A ▶

D16 4 x 30 mm 	x4	L0 	x2
--------------------------------------------------------------------------------------------------------------	-----------	-------------------------------------------------------------------------------------------------	-----------



10B ▶

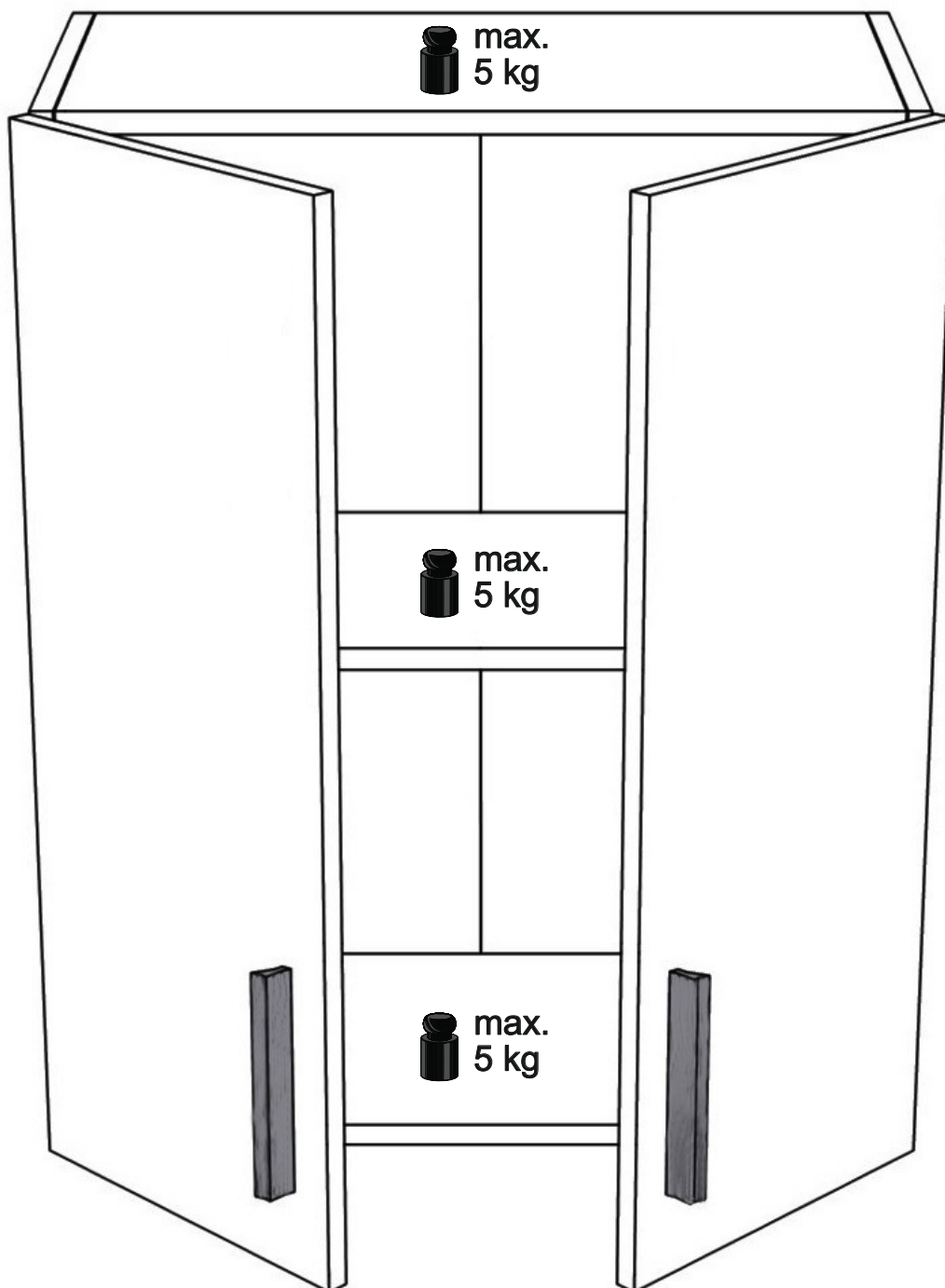
D16 4 x 30 mm 	x4	L0 	x2
--------------------------------------------------------------------------------------------------------------	-----------	-------------------------------------------------------------------------------------------------	-----------



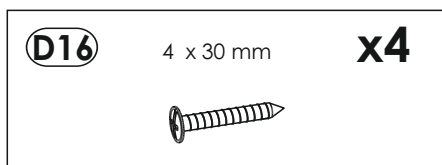
11A▶



11B ▶



12▶



REGALSERIE "JACK"(EXAMPLE):

