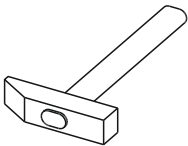
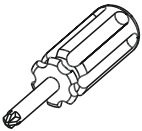
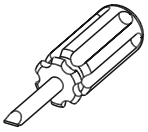
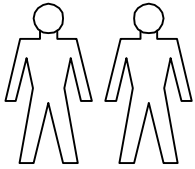
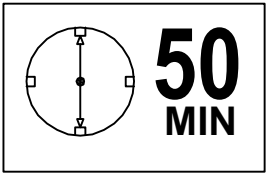
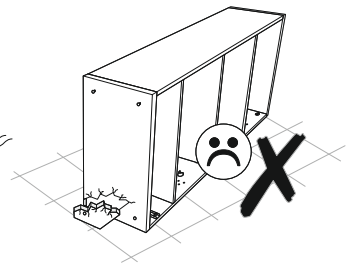
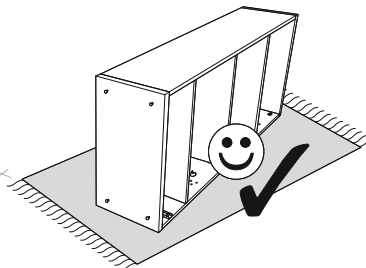
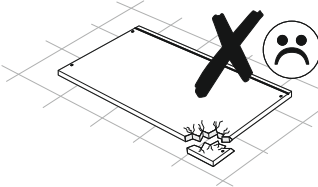
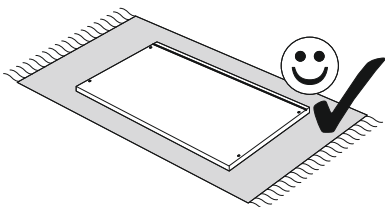
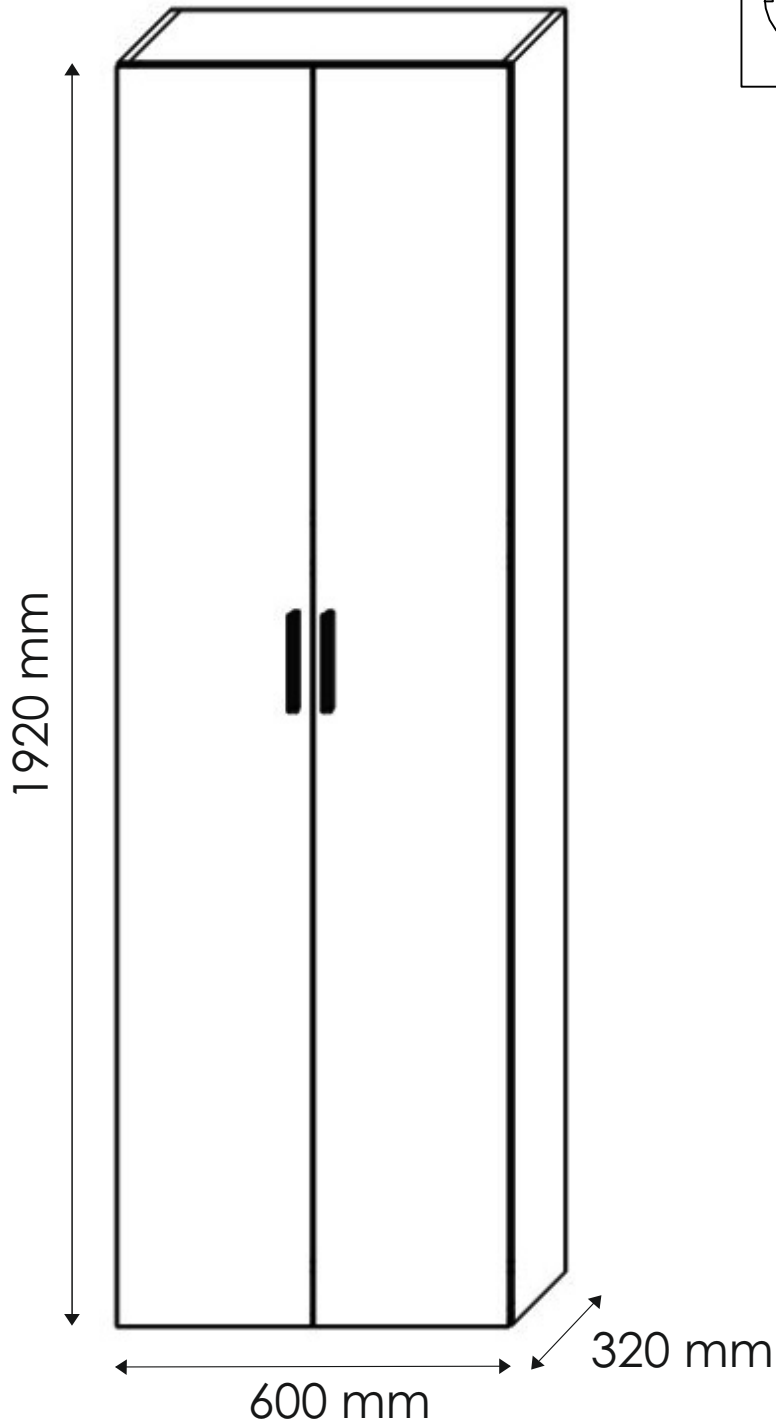


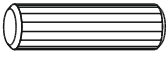
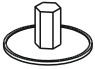




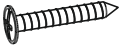

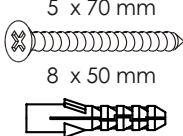
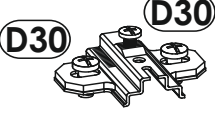
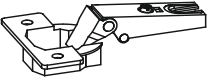
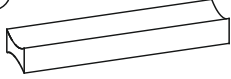
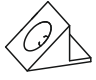
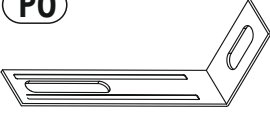

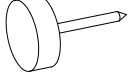

# JACK - Mehrzweckschrank(4B2T)

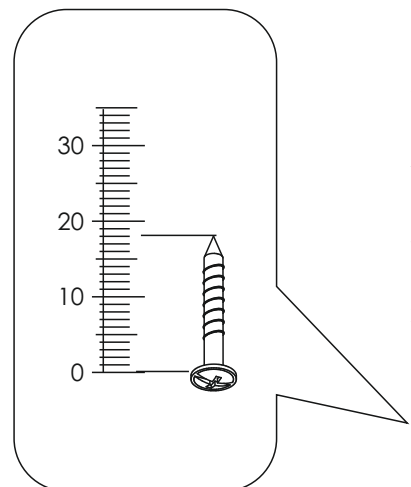
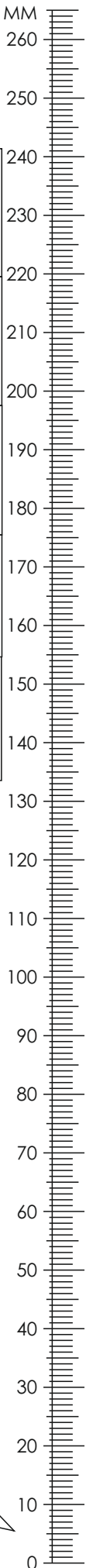


Ø8

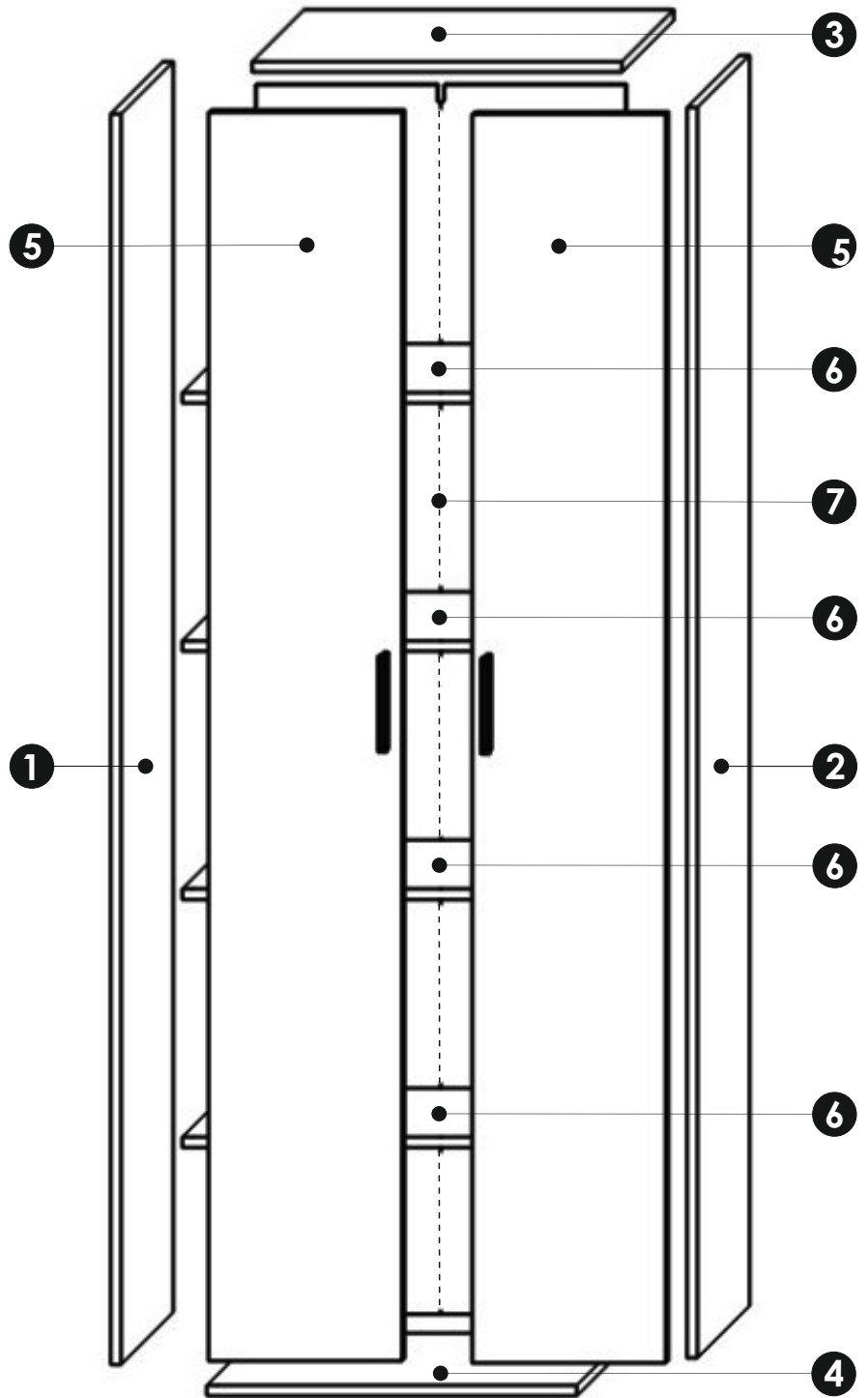
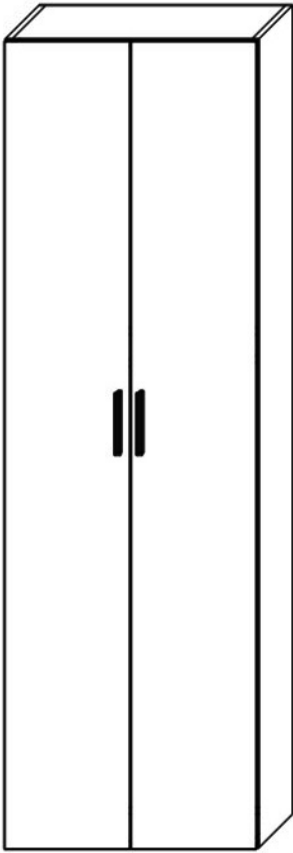



# JACK - Mehrzweckschrank(4B2T)

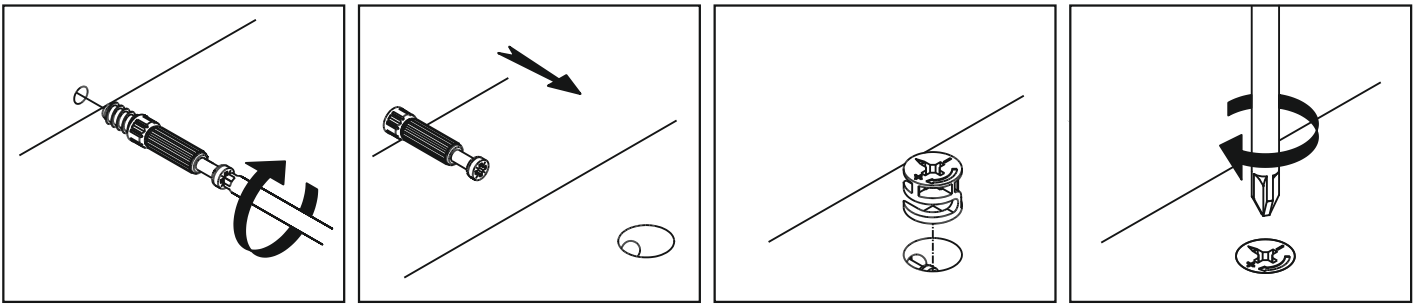
<b>A0</b> 8 x 30mm <b>x8</b> 	<b>C0</b> <b>x4</b> 	<b>C2</b> <b>x8</b> 
<b>C7</b> 16mm <b>x8</b> 	<b>D0</b> 3 x 15 mm <b>x14</b> 	<b>D10</b> 4 x 16 mm <b>x12</b> 
<b>D16</b> 4 x 30 mm <b>x8</b> 	<b>D21</b> 5 x 13 mm <b>x1</b> 	<b>E0</b> 5 x 70 mm 8 x 50 mm <b>x1</b> 
<b>J6</b> <b>D30</b> <b>x6</b> 	<b>J8</b> <b>x6</b> 	<b>L0</b> <b>x2</b> 
<b>M1</b> <b>x14</b> 	<b>P0</b> <b>x1</b> 	<b>Q3</b> <b>x16</b> 
<b>T3</b> <b>x4</b> 	<b>U0</b> <b>x4</b> 	

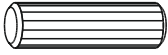



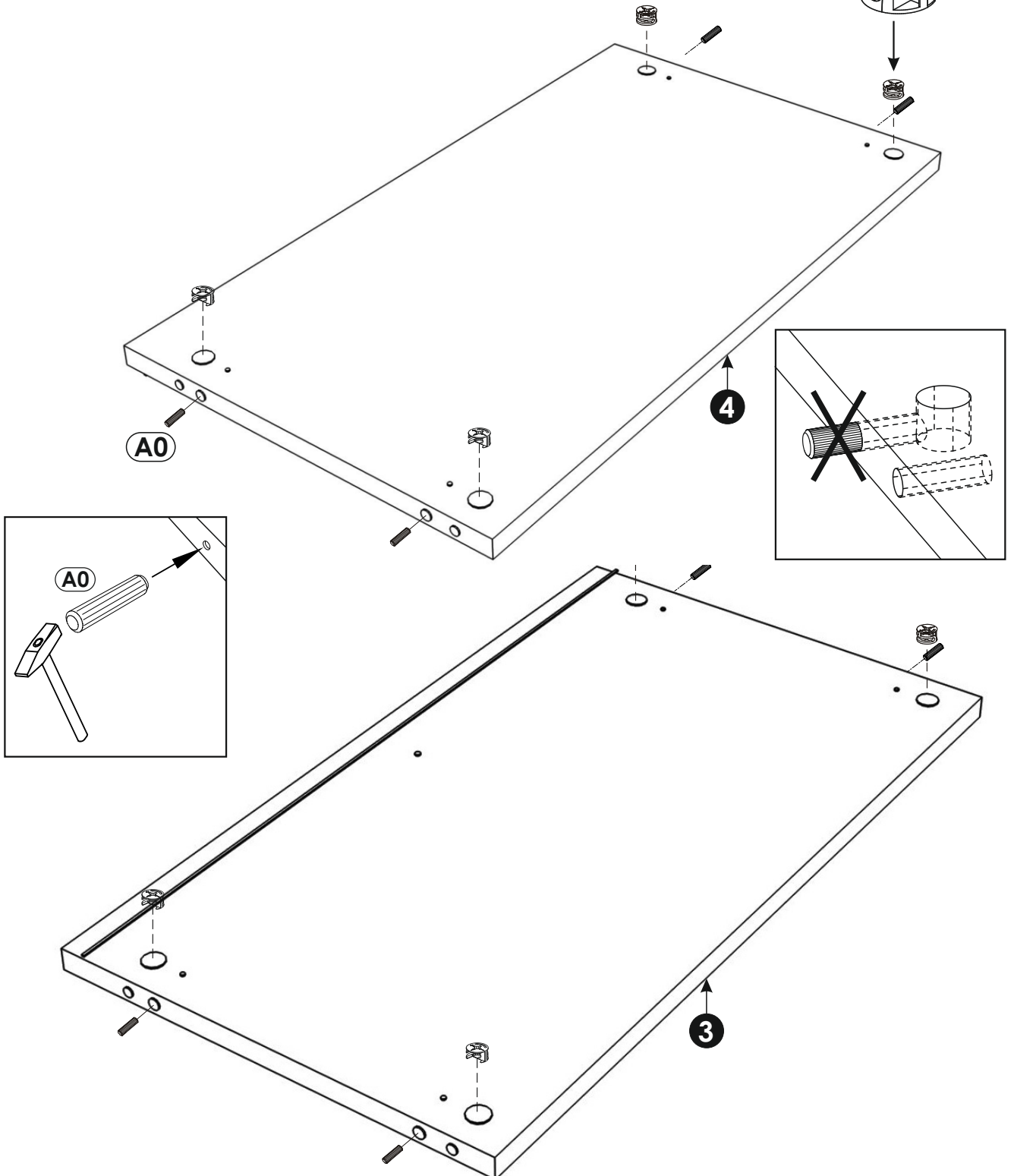
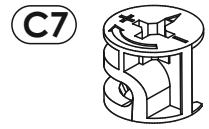
# JACK - Mehrzweckschrank(4B2T)




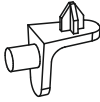
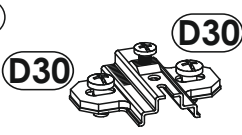
<b>1</b>	1920	320	16	x1	1/2
<b>2</b>	1920	320	16	x1	1/2
<b>3</b>	568	320	16	x1	2/2
<b>4</b>	568	320	16	x1	2/2
<b>5</b>	1917	297	16	x2	1/2
<b>6</b>	568	298	16	x4	2/2
<b>7</b>	1898	578	3	x1	1/2
					2/2

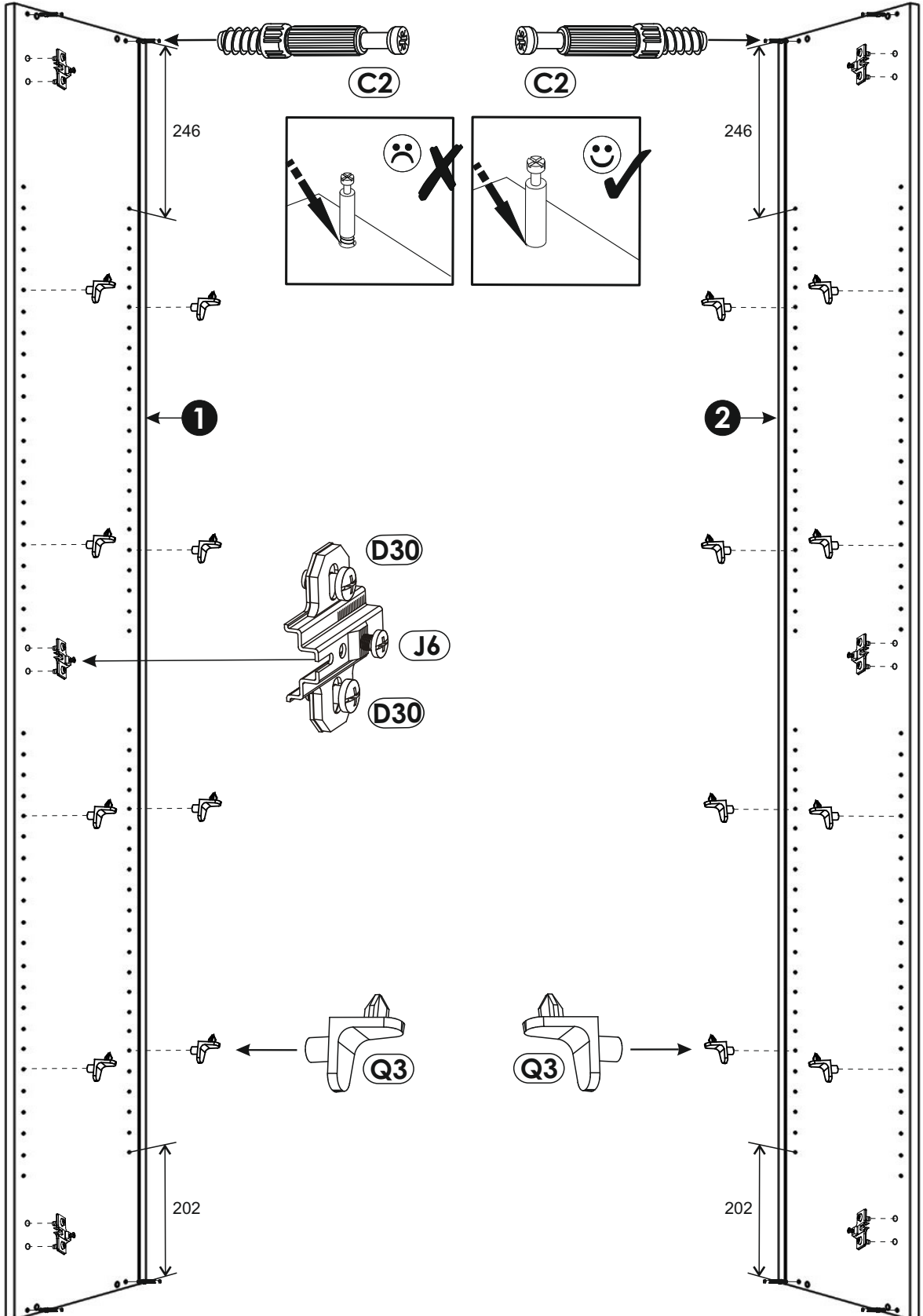


<p><b>(A0)</b> 8 x 30mm <b>x8</b></p> 	<p><b>(C7)</b> 16mm <b>x8</b></p> 
---	--

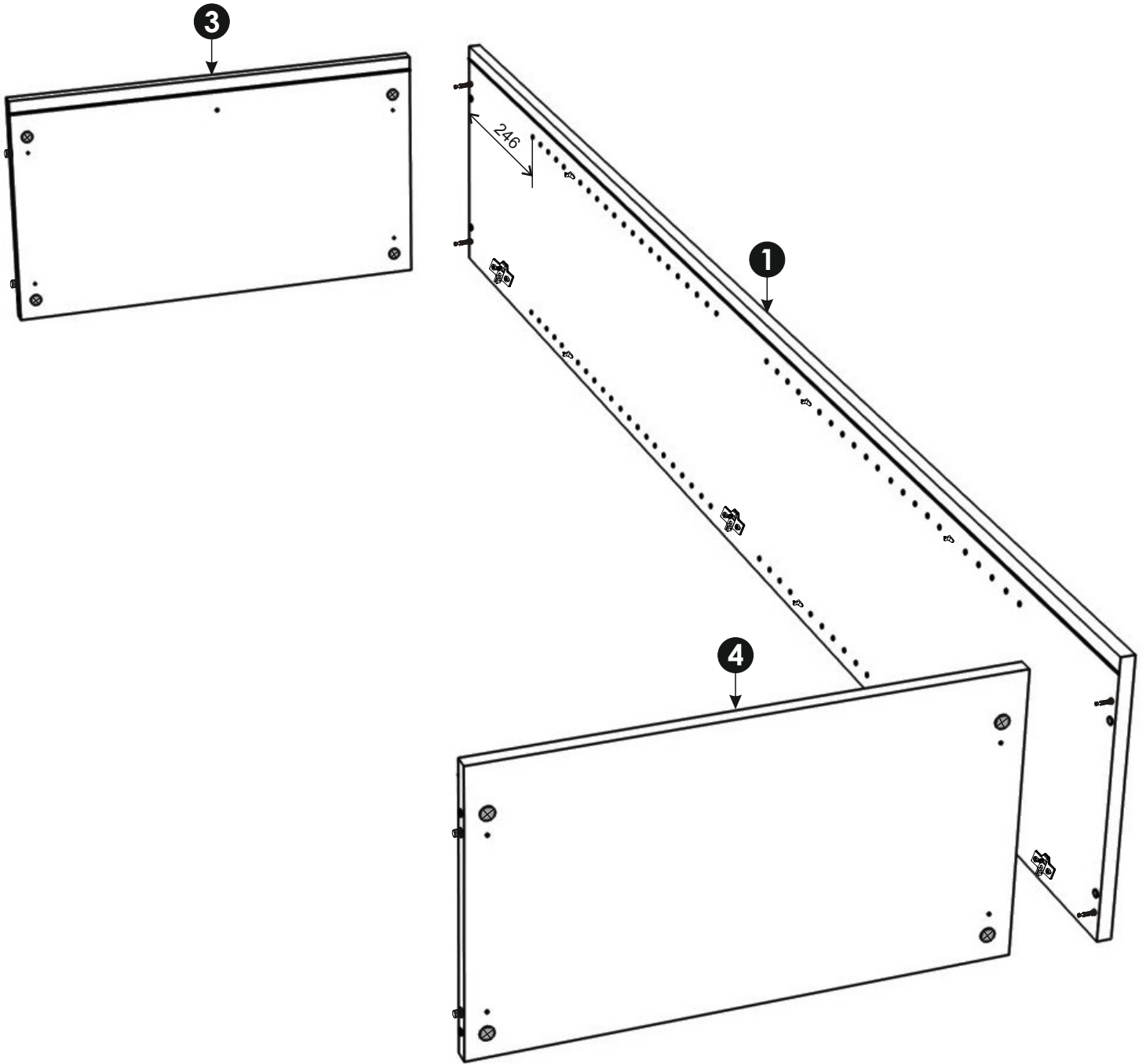


# 2 ▶

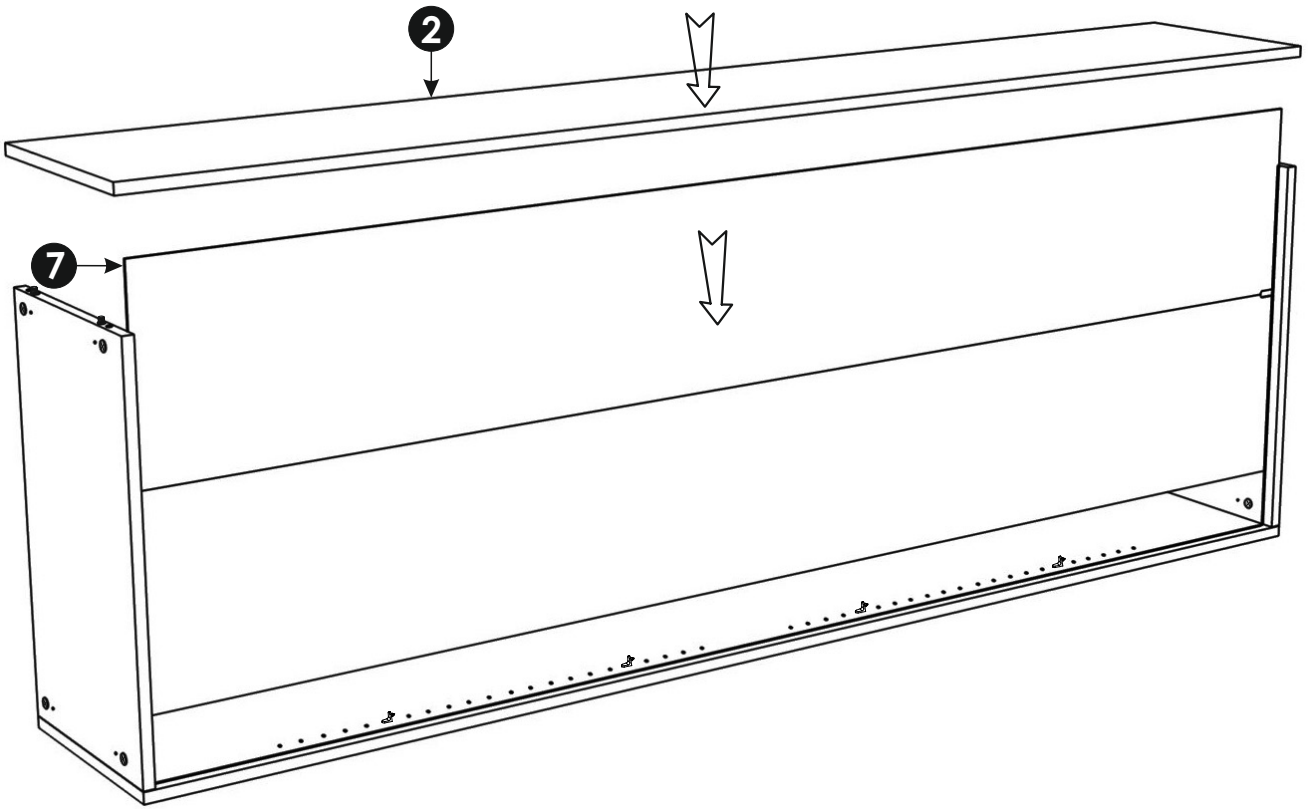
<p><b>C2</b> <b>x8</b></p> 	<p><b>Q3</b> <b>x16</b></p> 	<p><b>J6</b> <b>x6</b></p> 
--	---	--





3 ▶

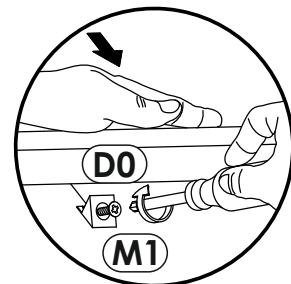
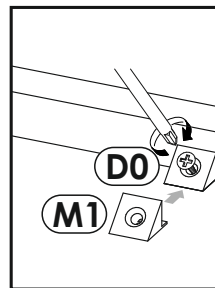
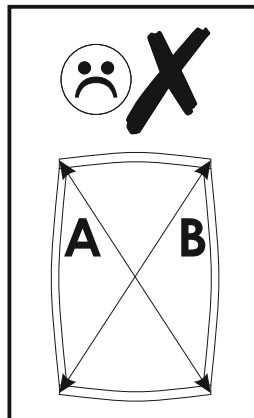
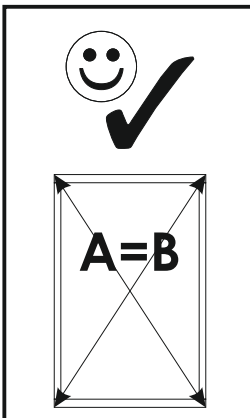


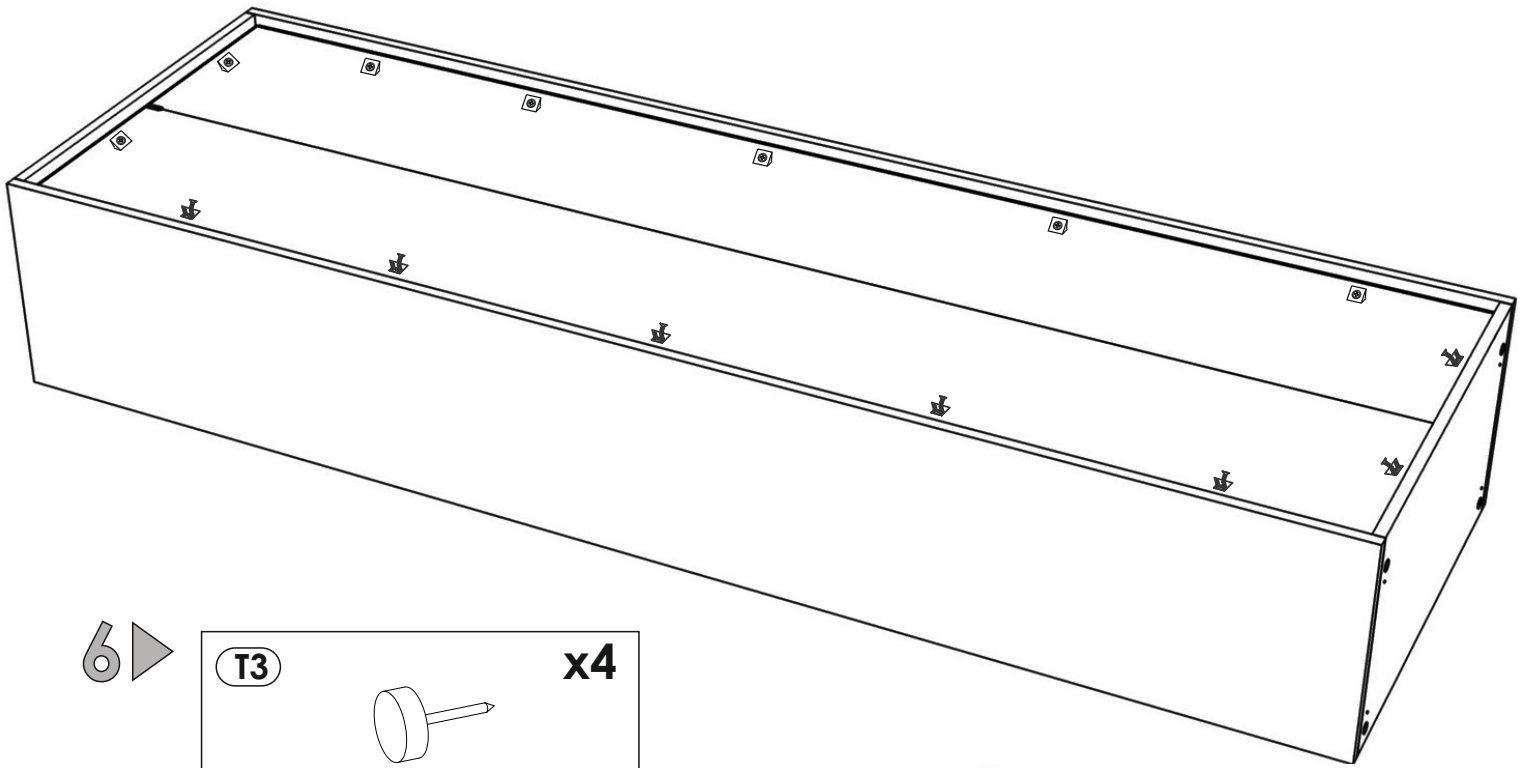
4 ▶



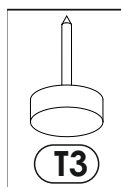
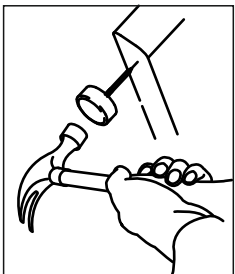
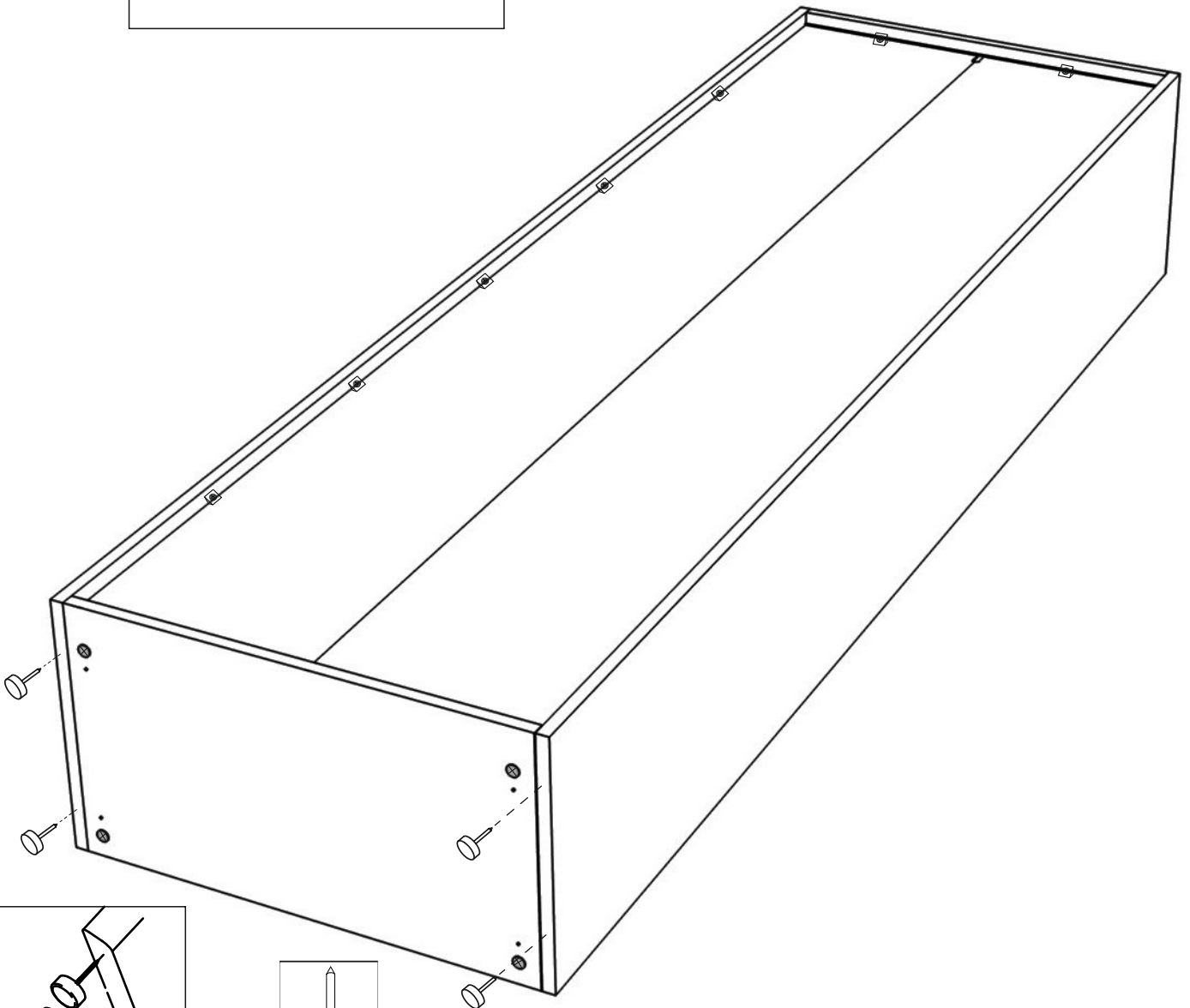
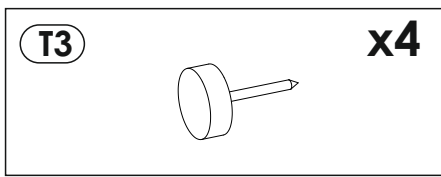
5 ▶

<b>D0</b>	3 x 15 mm	<b>x14</b>	<b>M1</b>		<b>x14</b>
					




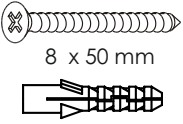
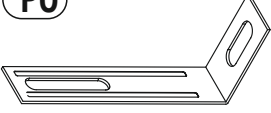


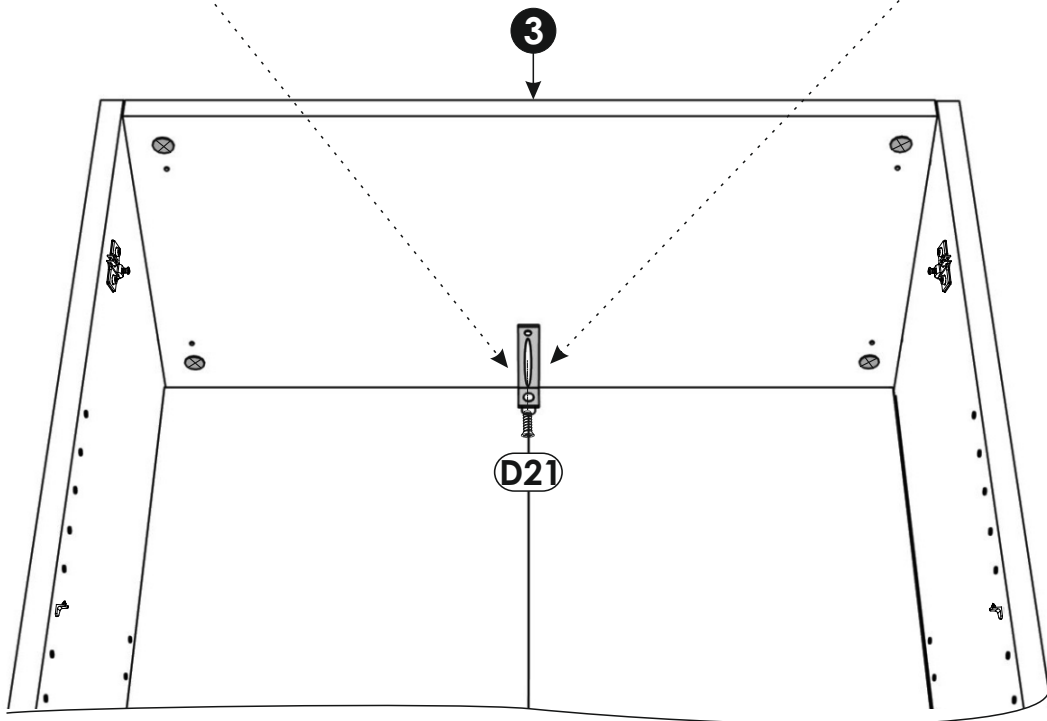
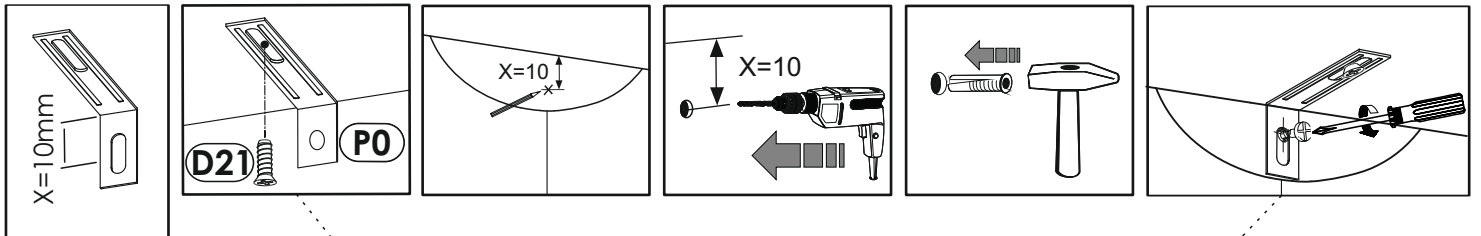
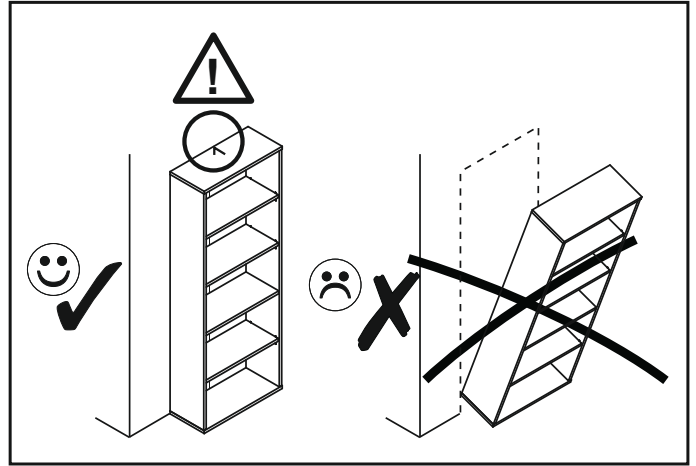
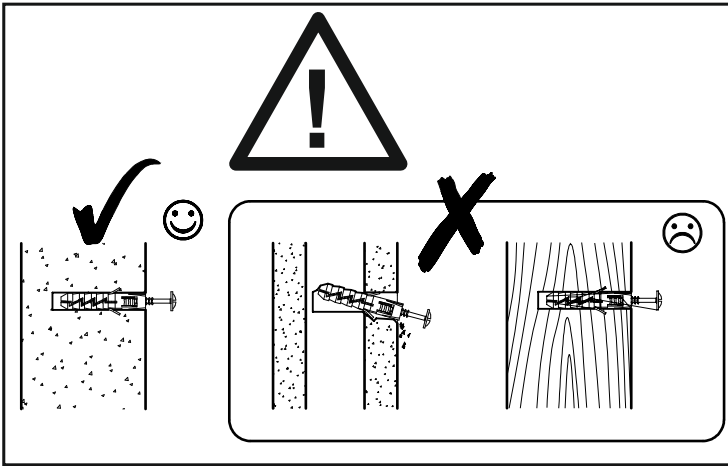
6 ▶



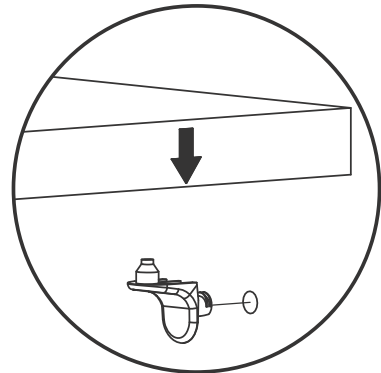
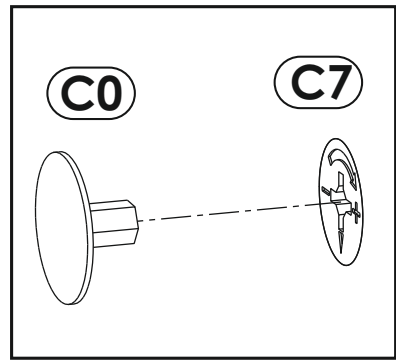
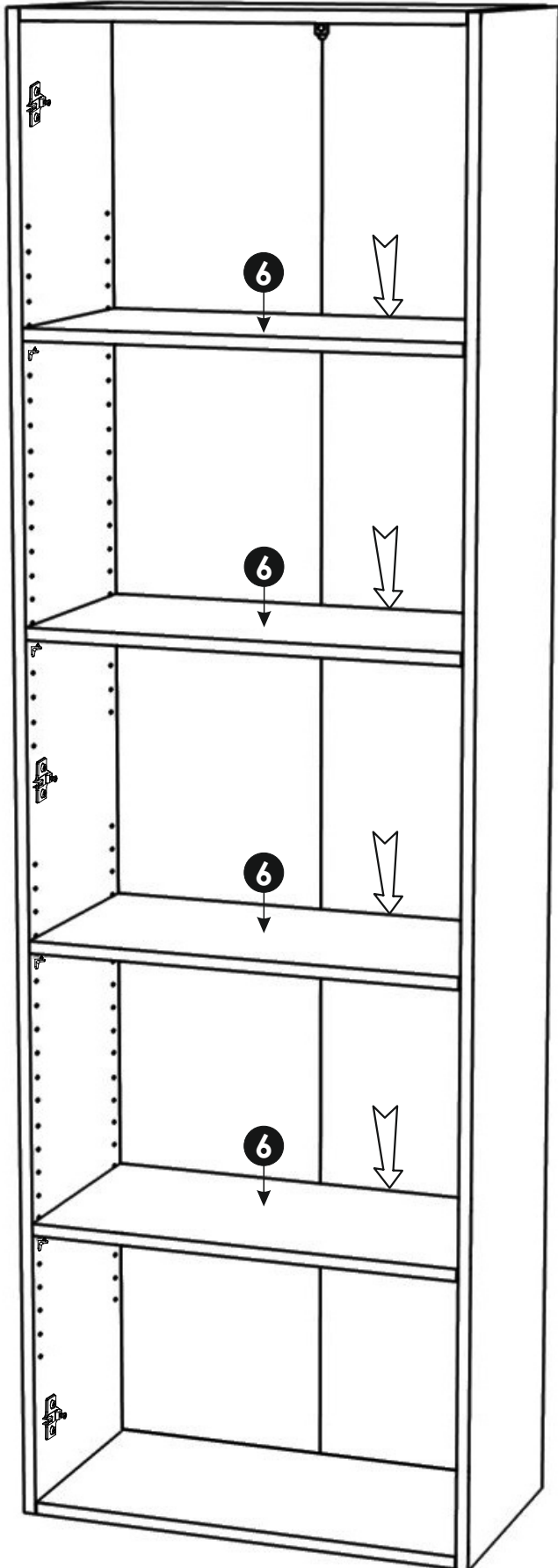
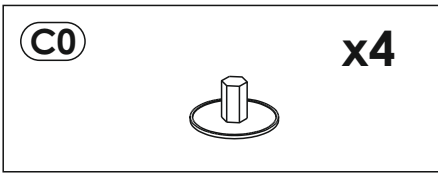


7 ▶

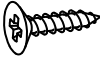


<b>D21</b> 5 x 13 mm 	<b>x1</b>	<b>E0</b> 5 x 70 mm 8 x 50 mm 	<b>x1</b>	<b>P0</b> 	<b>x1</b>
--	-----------	--	-----------	--	-----------

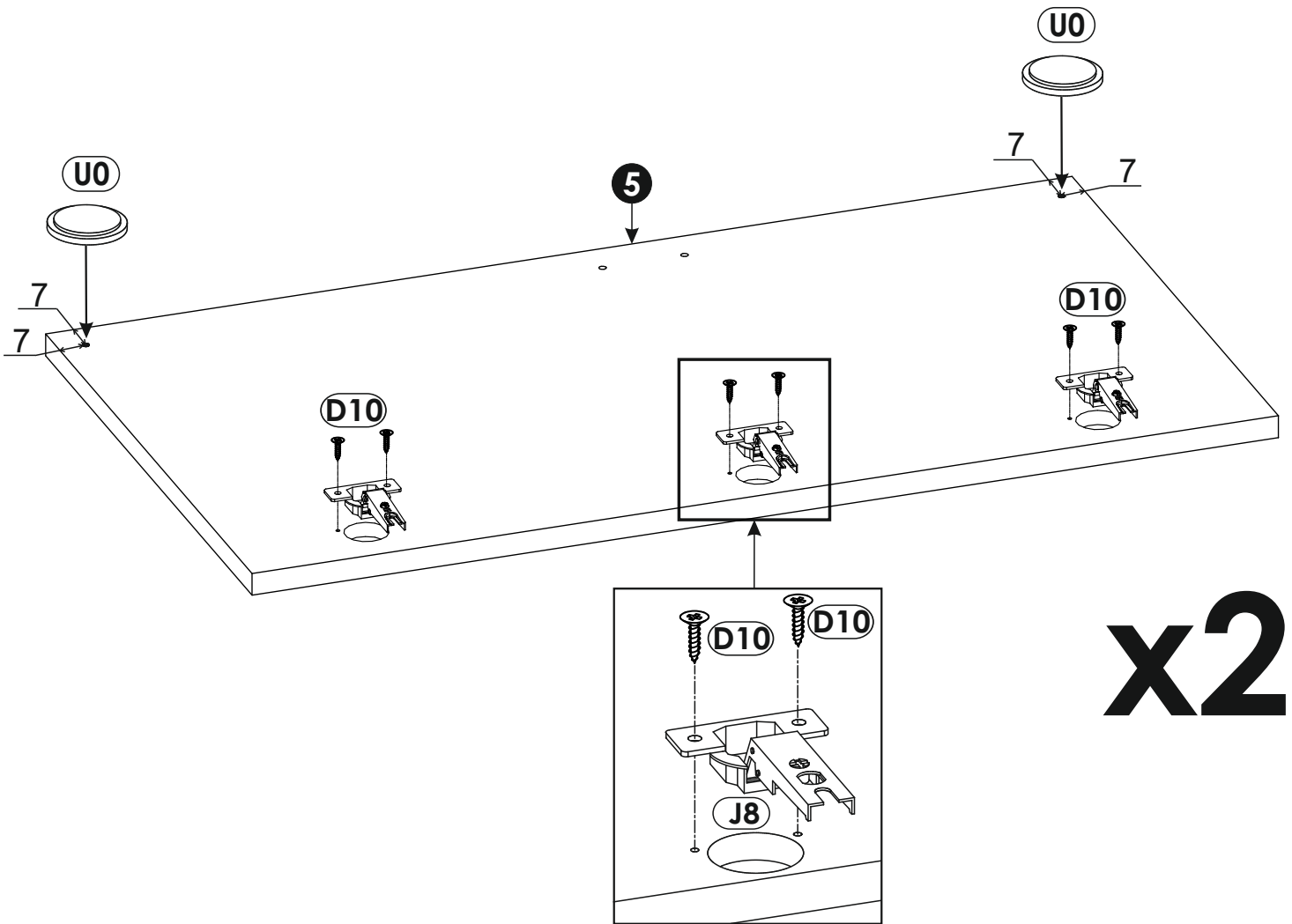


8 ▶





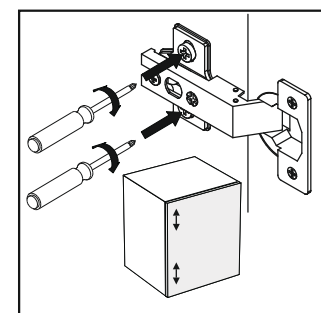
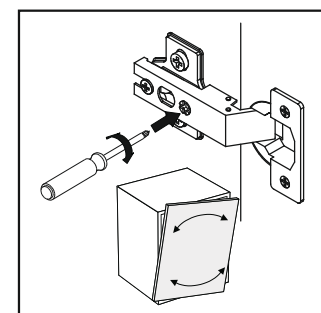
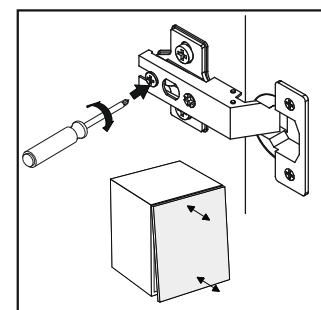
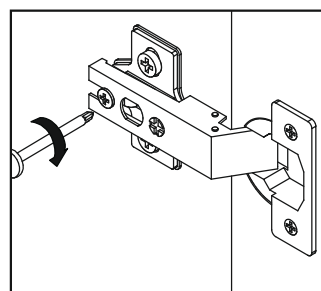
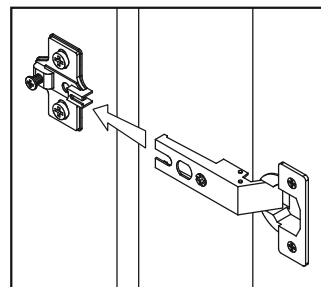
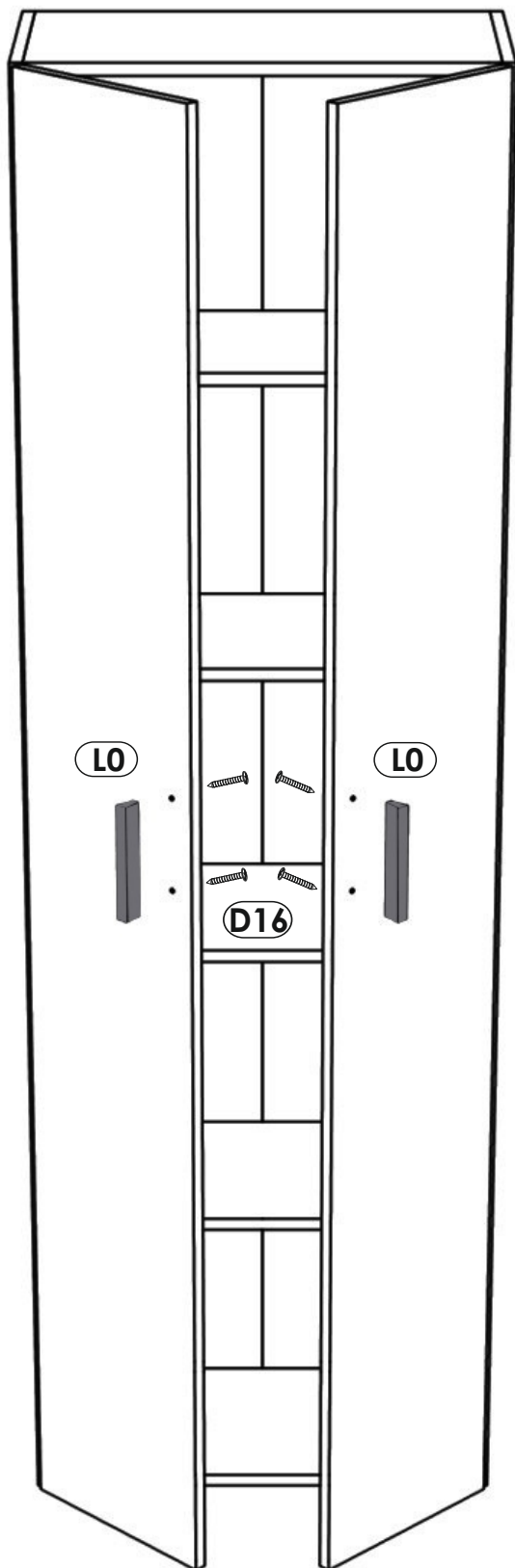
9 ▶

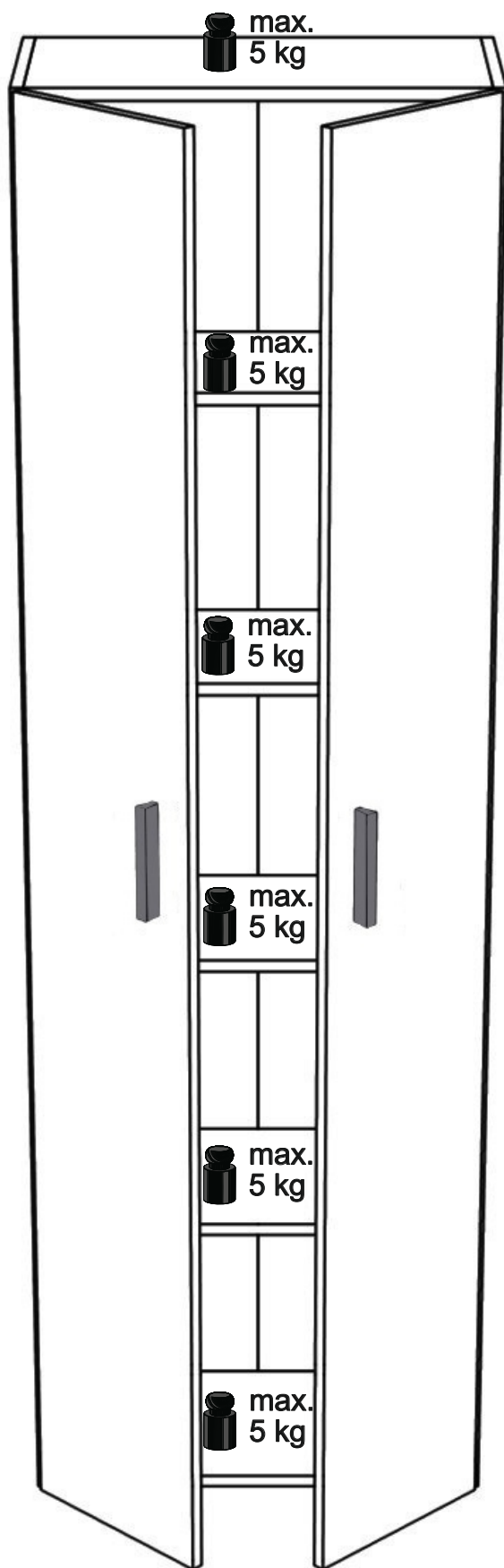
<b>D10</b> 4 x 16 mm 	<b>J8</b> 	<b>U0</b> 
<b>x12</b>	<b>x6</b>	<b>x4</b>



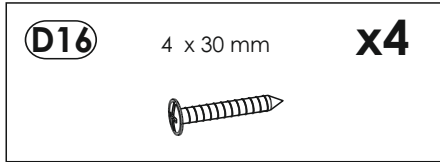
10 ▶

<b>D16</b>	4 x 30 mm	<b>x4</b>	<b>L0</b>		<b>x2</b>
					





12▶



## REGALSERIE "JACK"(EXAMPLE):

