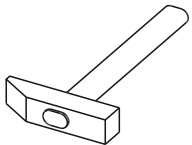
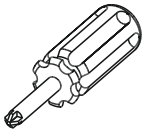
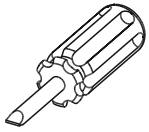
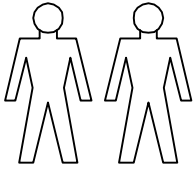
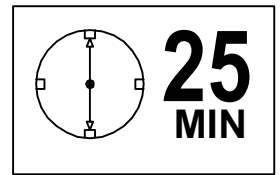
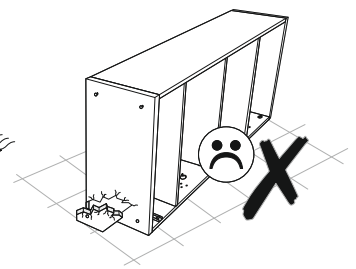
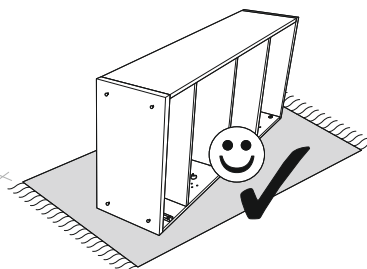
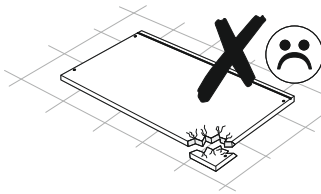
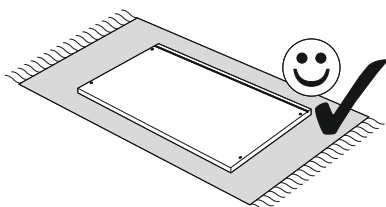
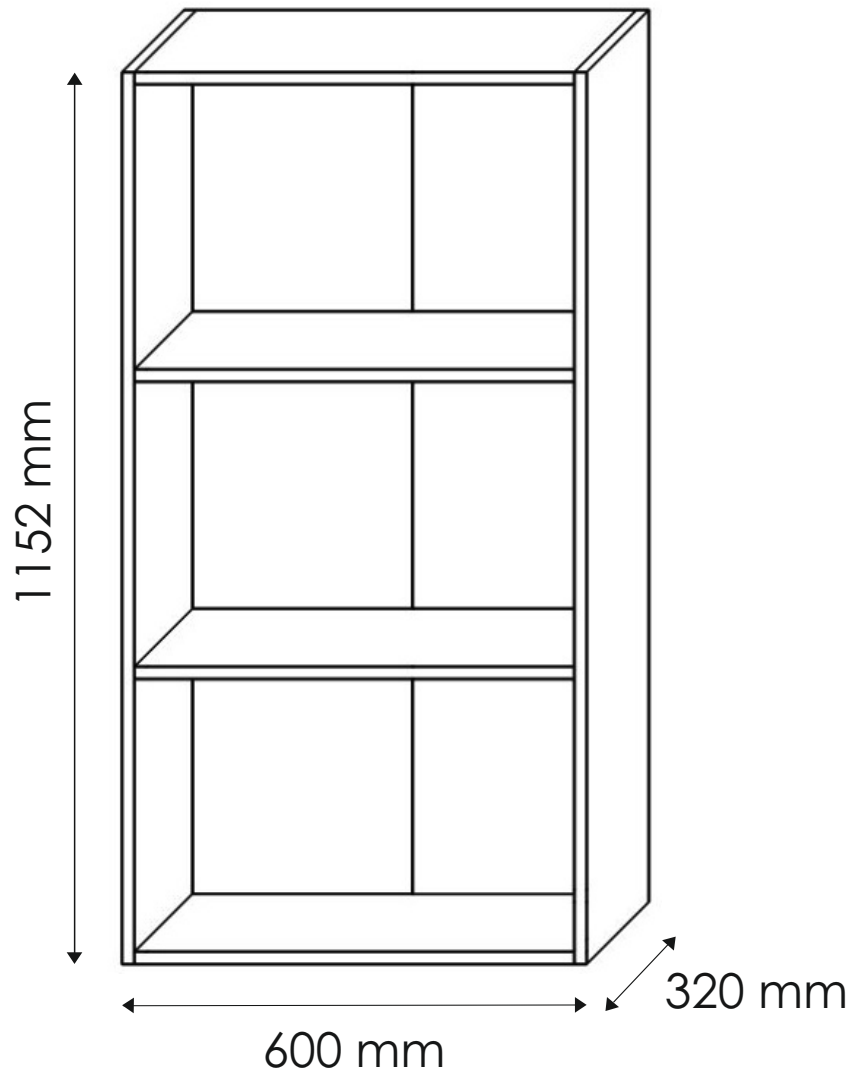









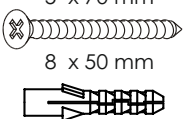

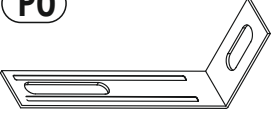

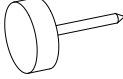
JACK - REGAL (2B)

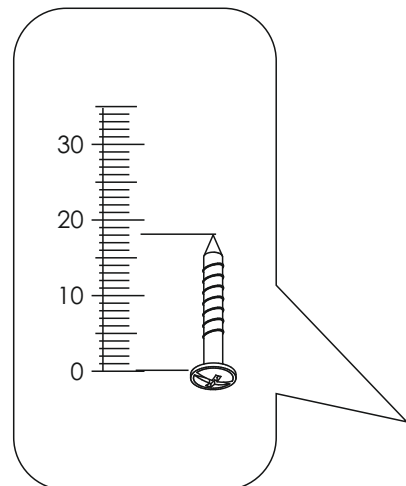
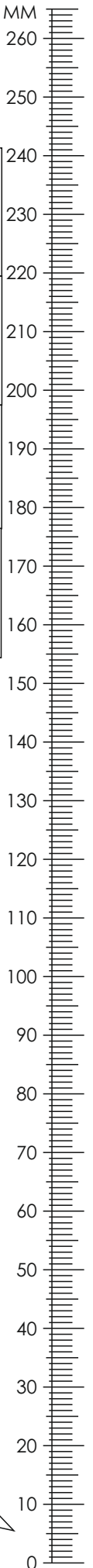


Ø8

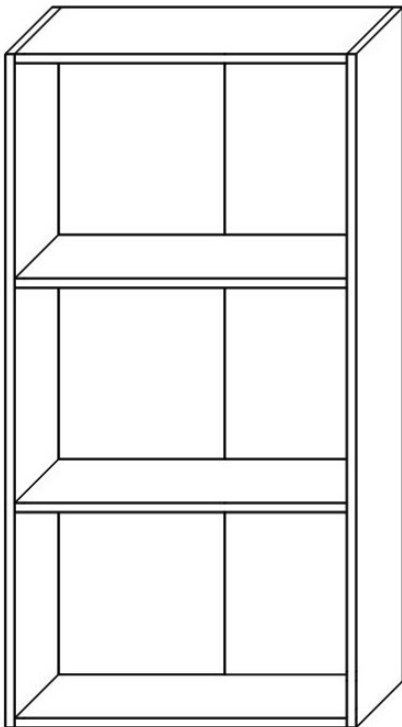



JACK - REGAL(2B)

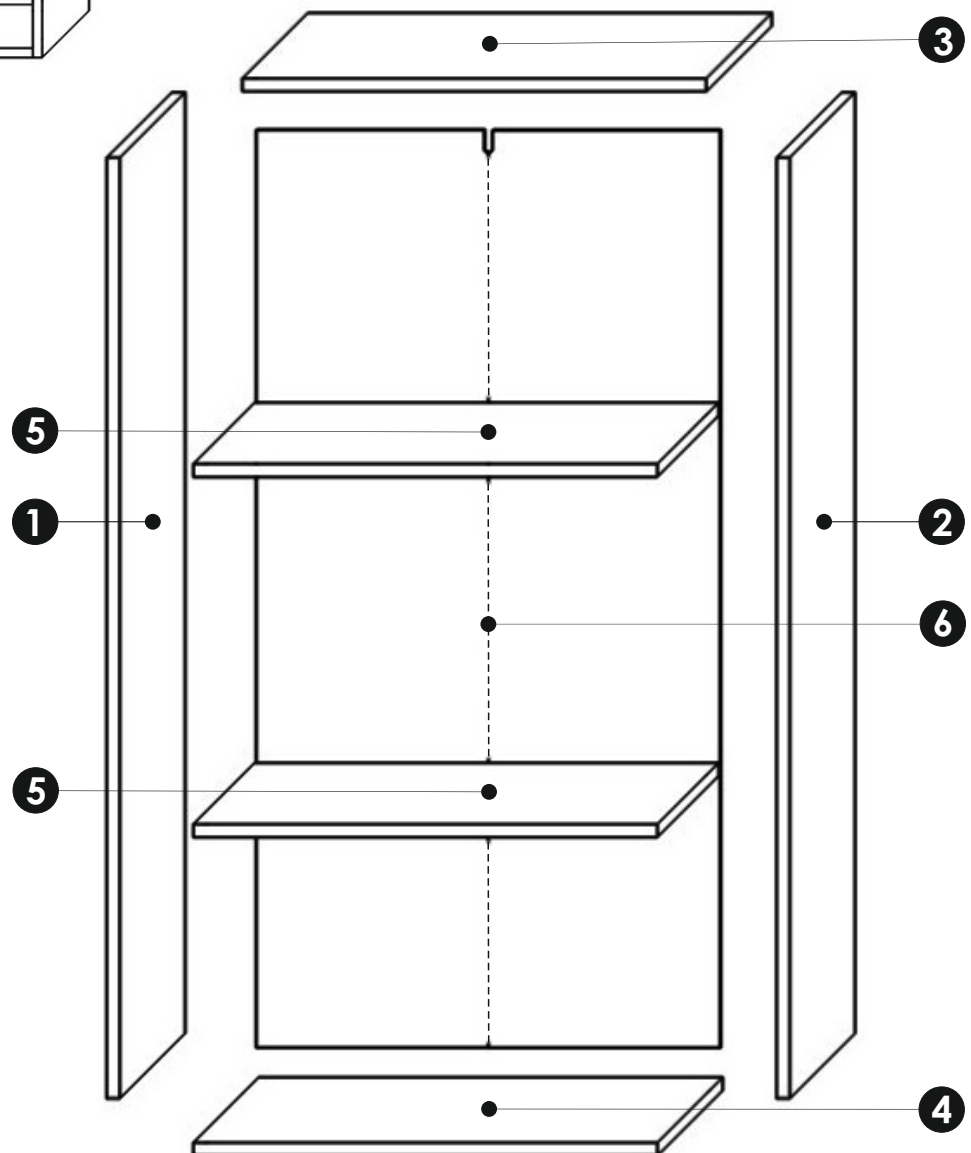
A0 8 x 30mm  x8	C0  x4	C2  x8
C7  16mm x8	D0 3 x 15 mm  x10	D16 4 x 30 mm  x4
D21 5 x 13 mm  x1	E0 5 x 70 mm 8 x 50 mm  x1	M1  x10
P0  x1	Q3  x8	T3  x4

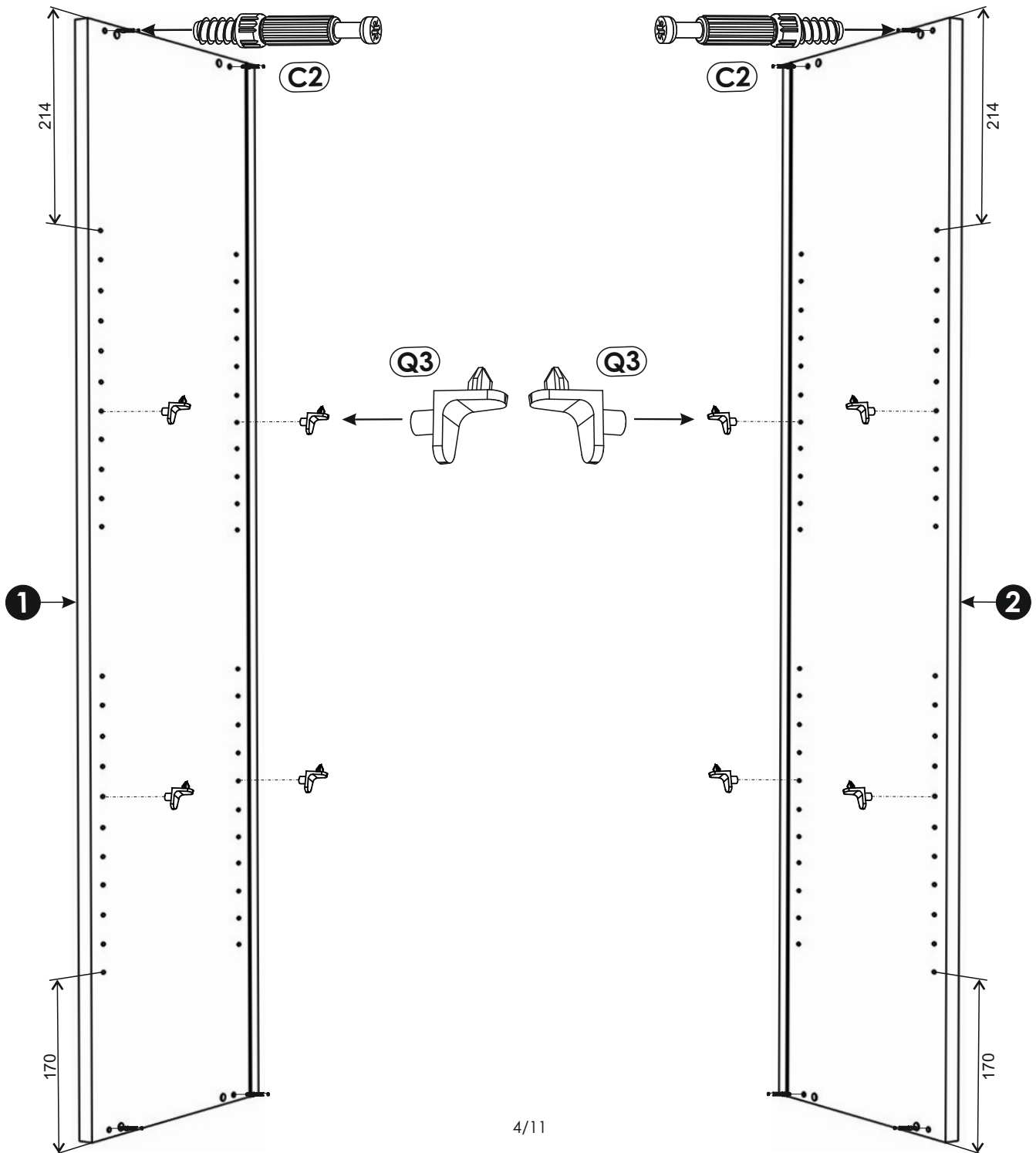
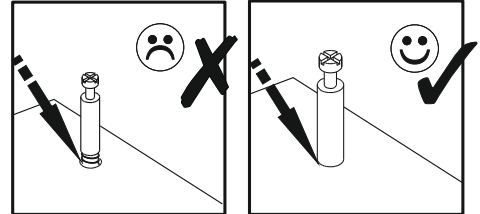
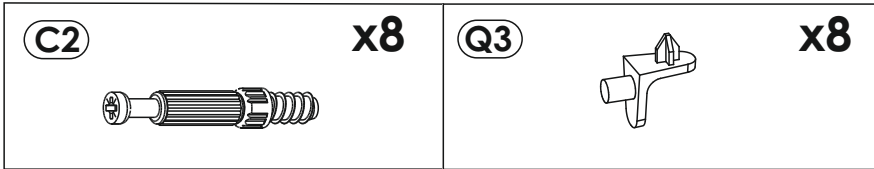
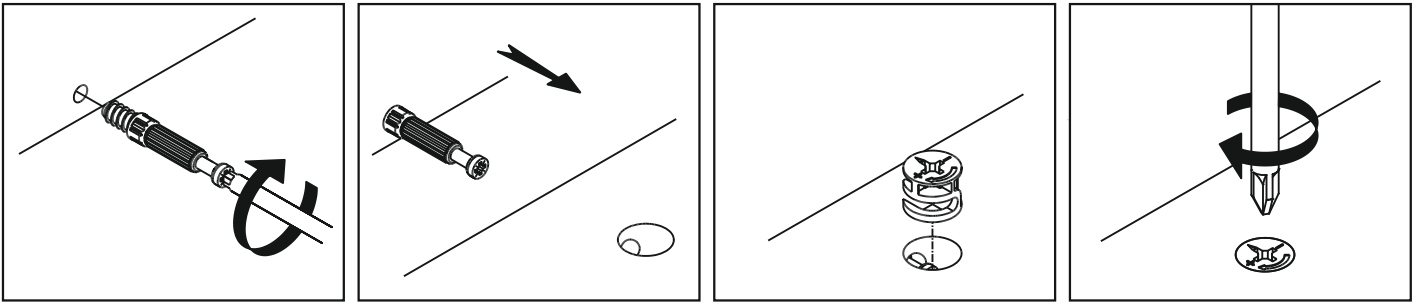


JACK - REGAL(2B)





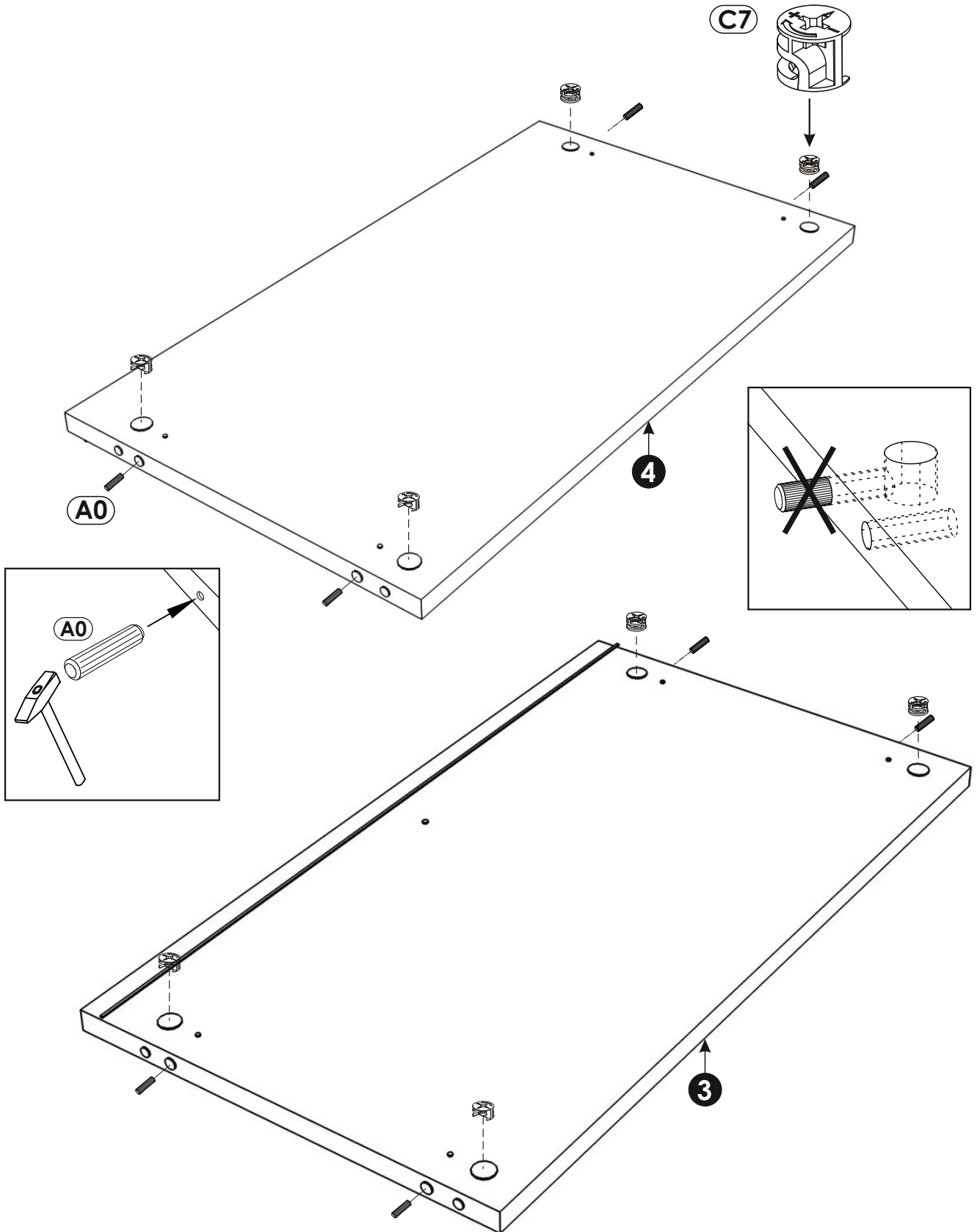
1	1152	320	16	x1	1/1
2	1152	320	16	x1	1/1
3	568	320	16	x1	1/1
4	568	320	16	x1	1/1
5	568	298	16	x2	1/1
6	1130	578	3	x1	1/1
					1/1

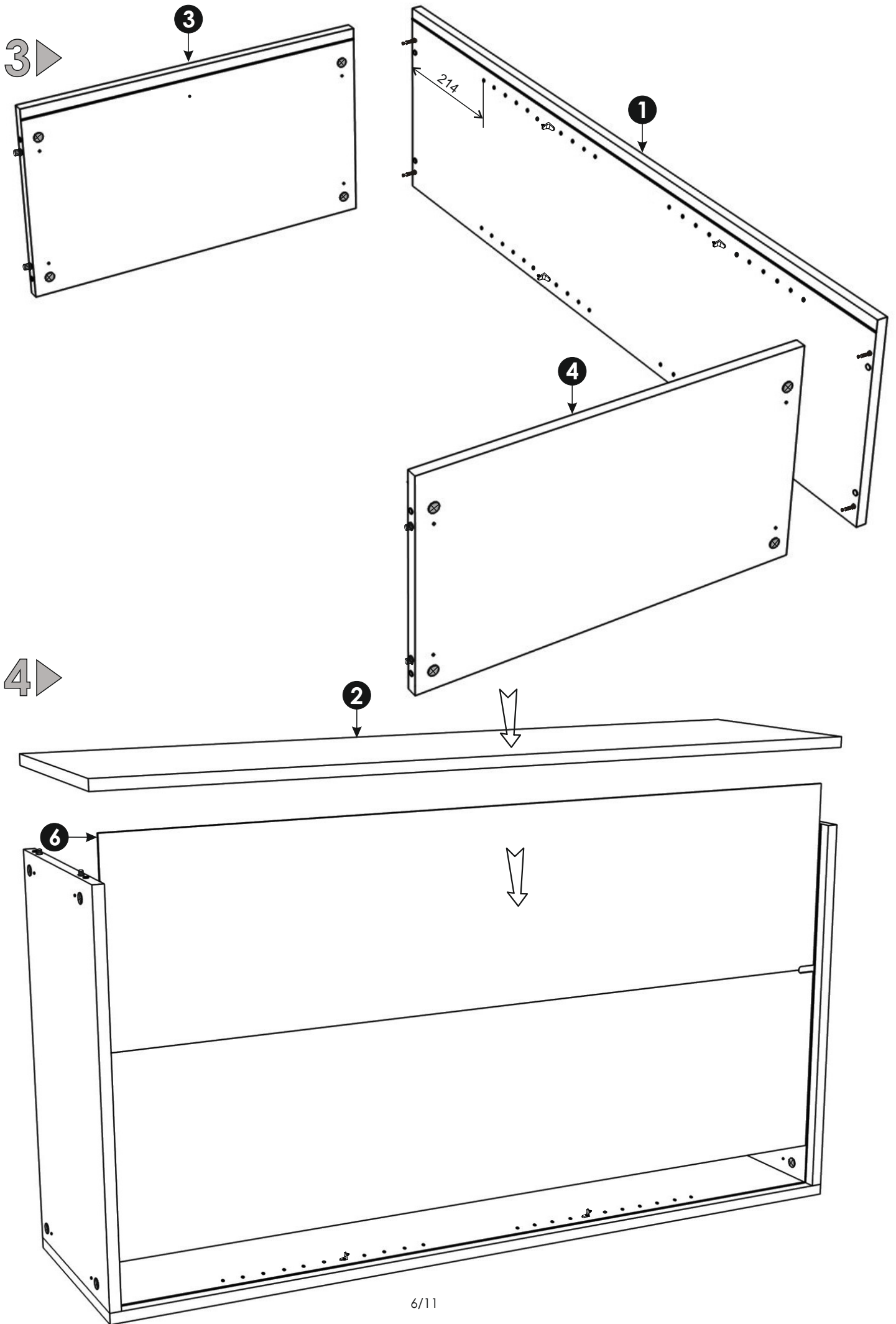





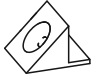
2 ▶

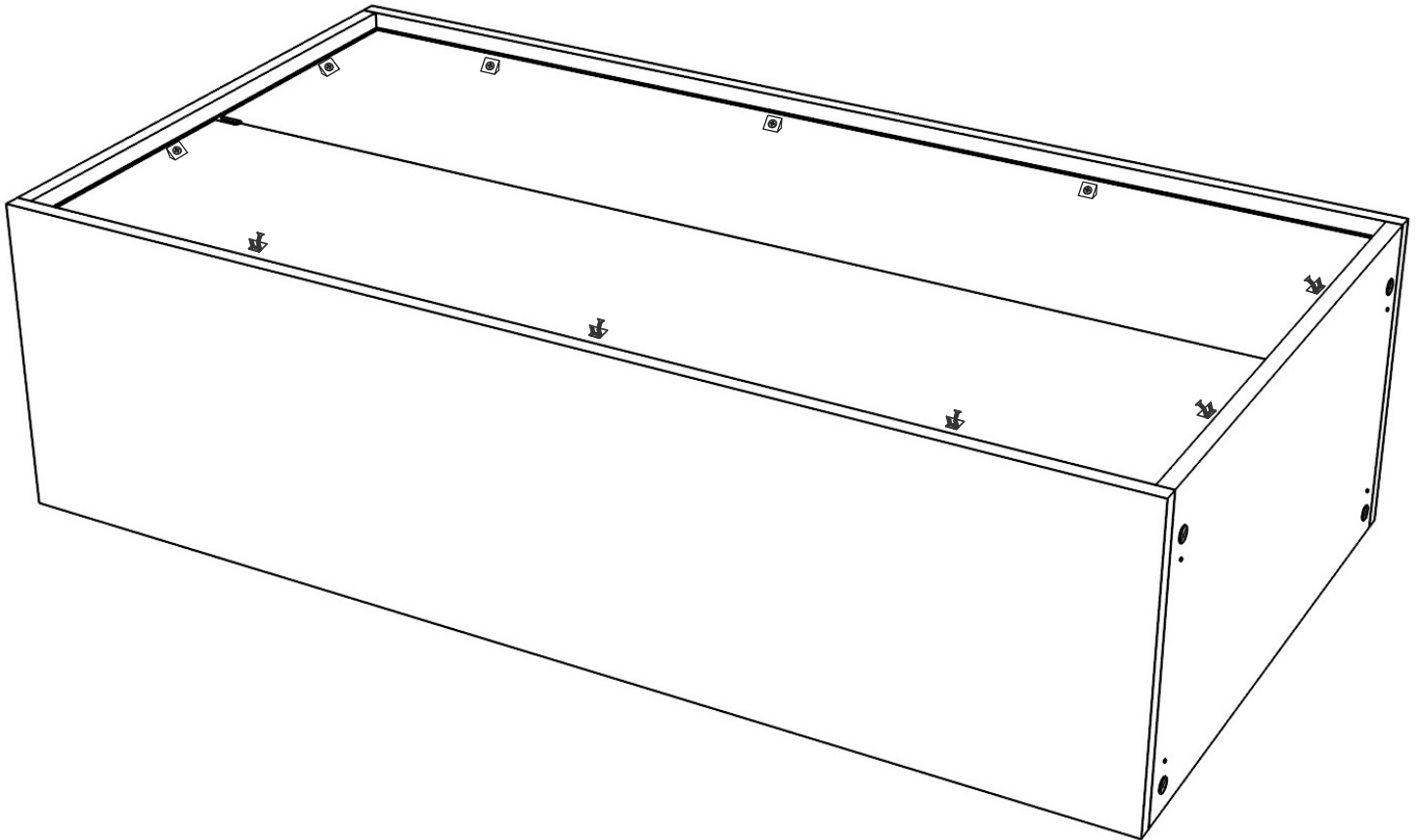
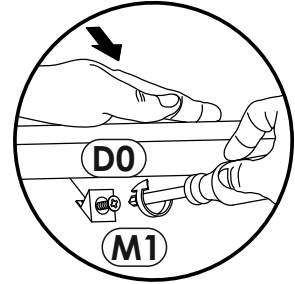
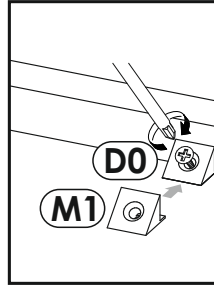
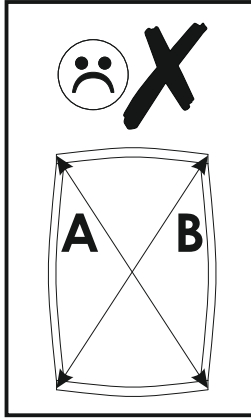
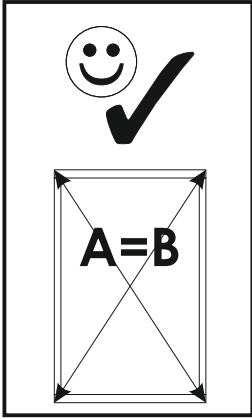
A0	8 x 30mm	x8	C7		x8
			16mm		



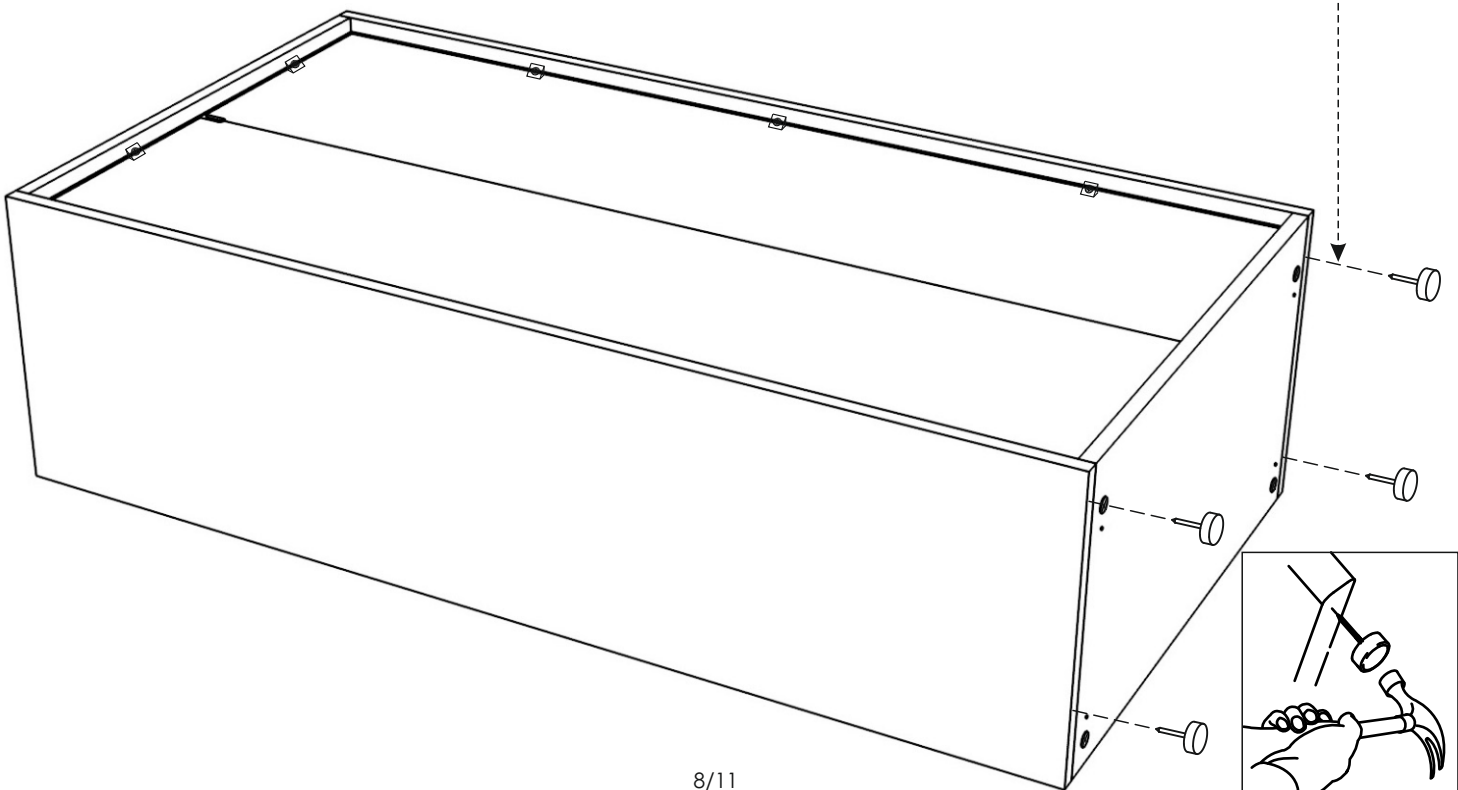
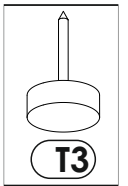
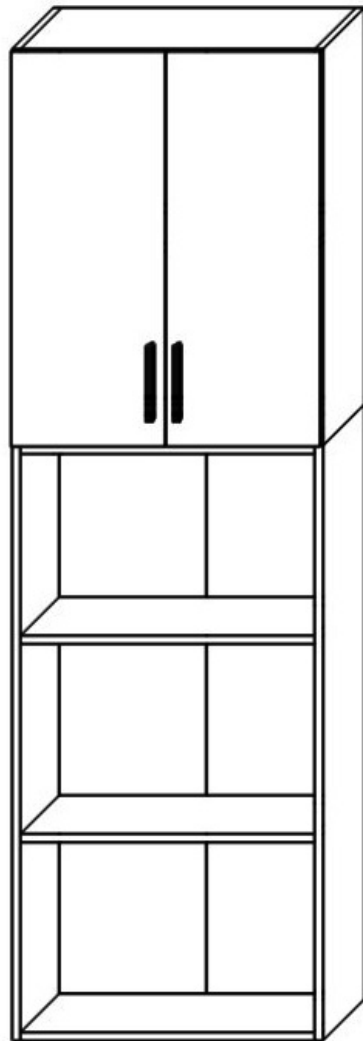
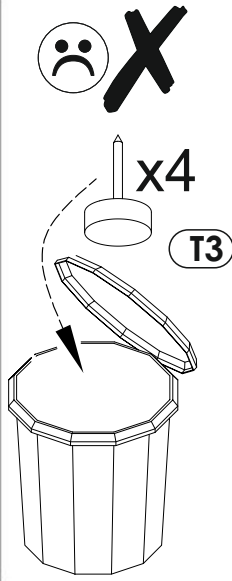
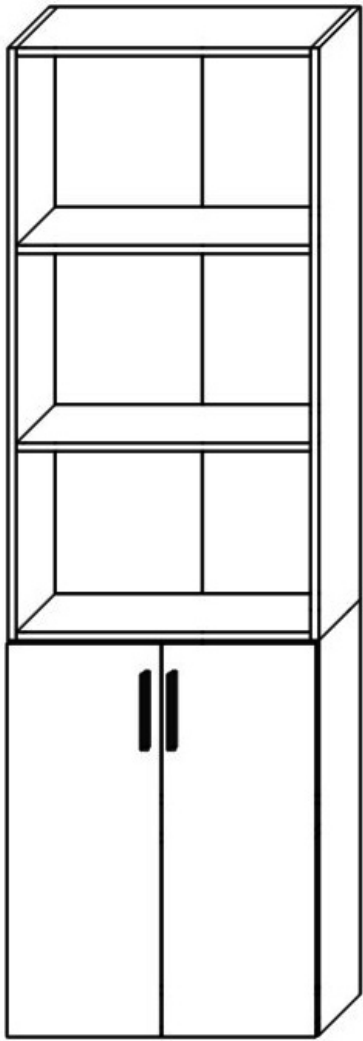
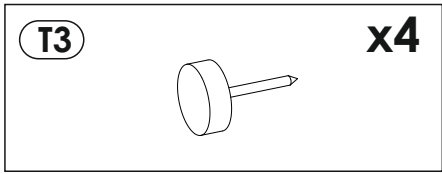


5 ▶


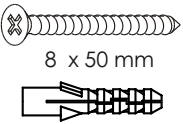
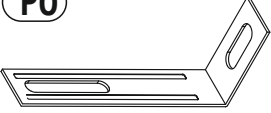
(D0) 3 x 15 mm 	x10	(M1) 	x10
---	------------	--	------------

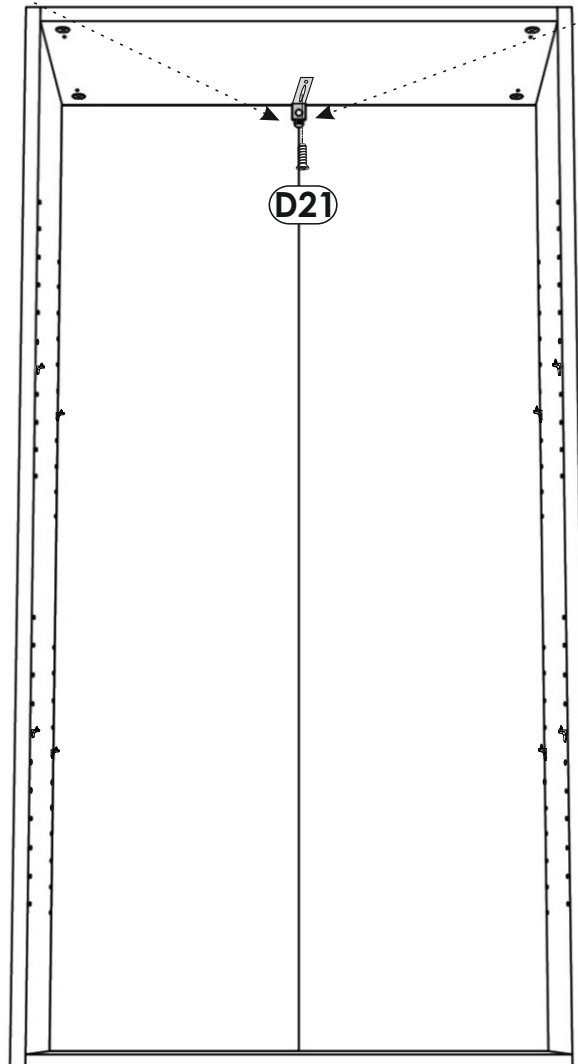
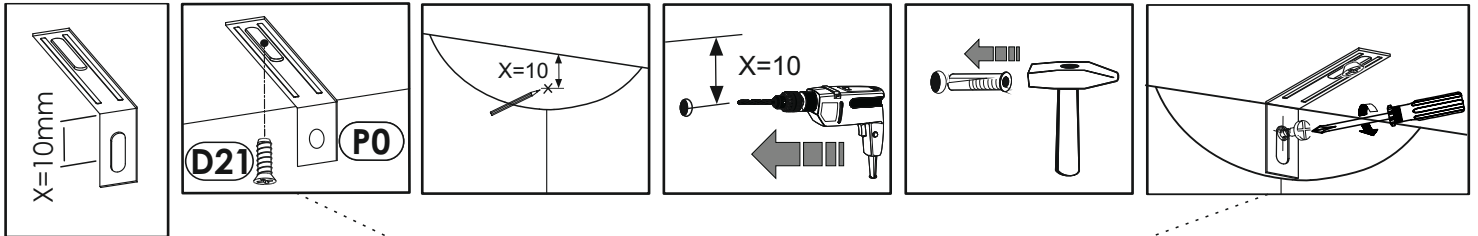
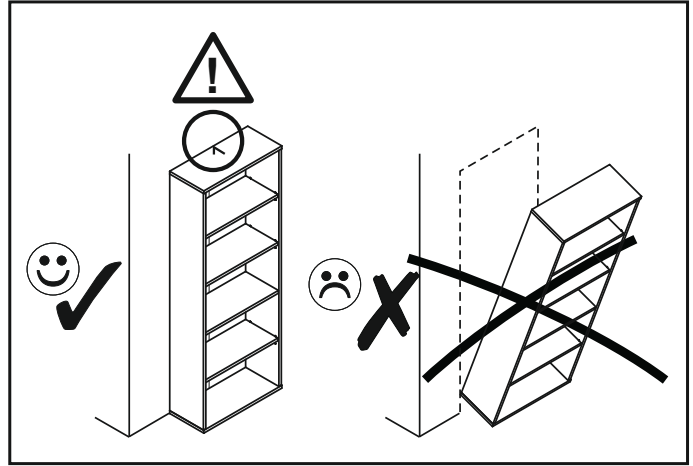
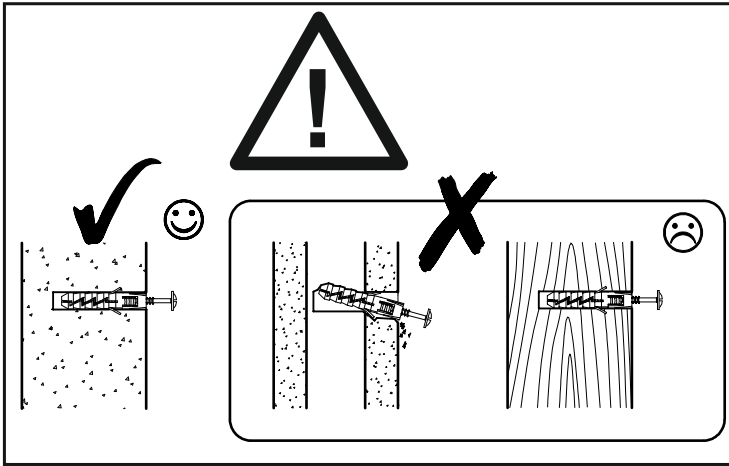


6 ▶

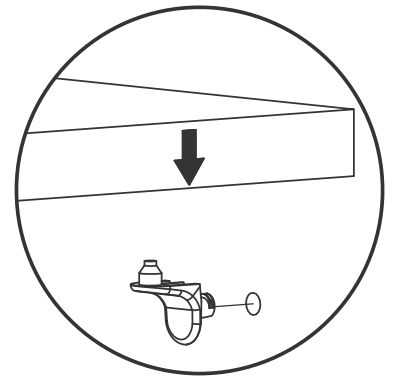
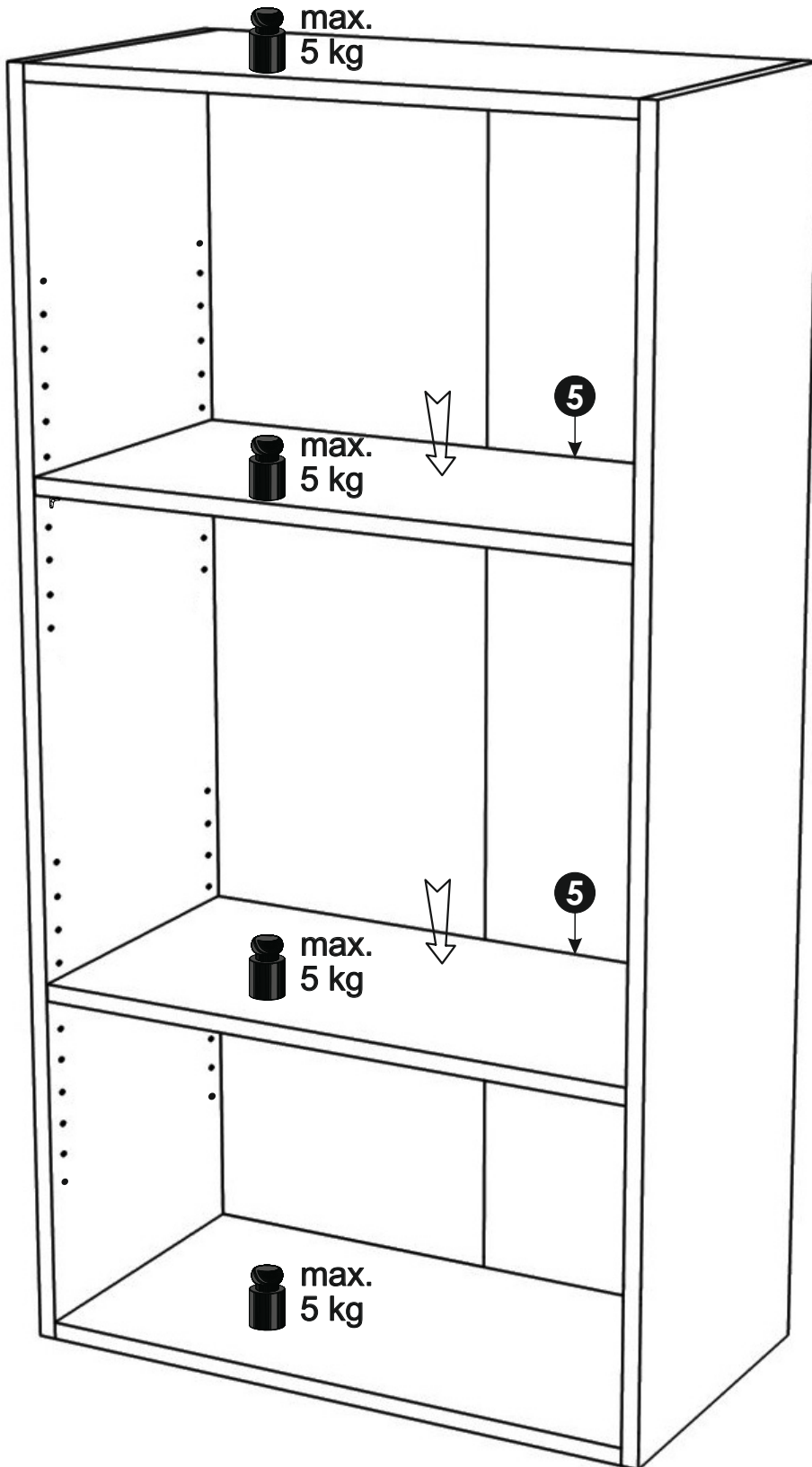
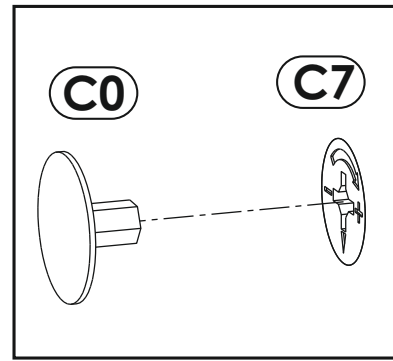
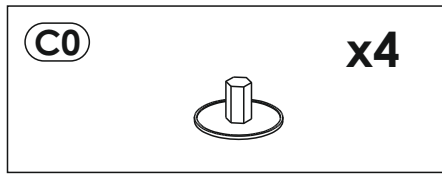


7 ▶

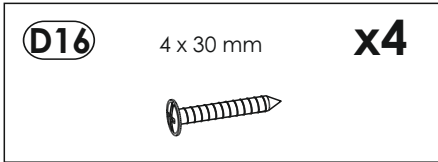
D21 5 x 13 mm 	x1	E0 5 x 70 mm 8 x 50 mm 	x1	P0 	x1
--	-----------	--	-----------	--	-----------



8 ▶



9 ▶



REGALSERIE "JACK"(EXAMPLE):

