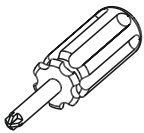
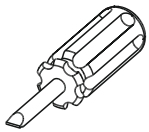
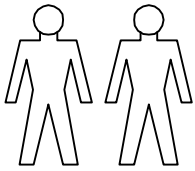
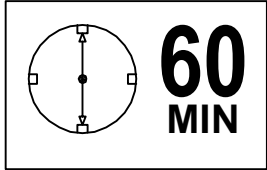
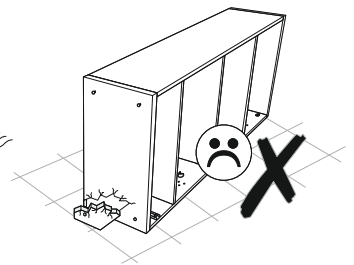
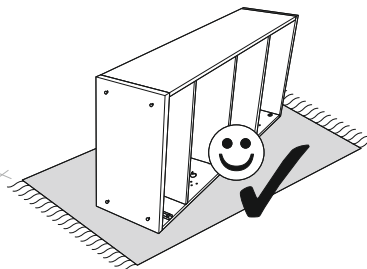
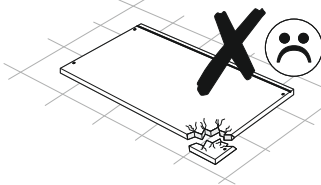
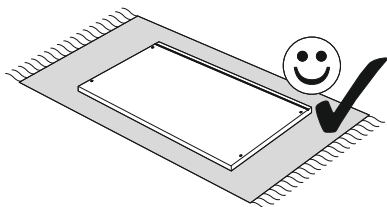
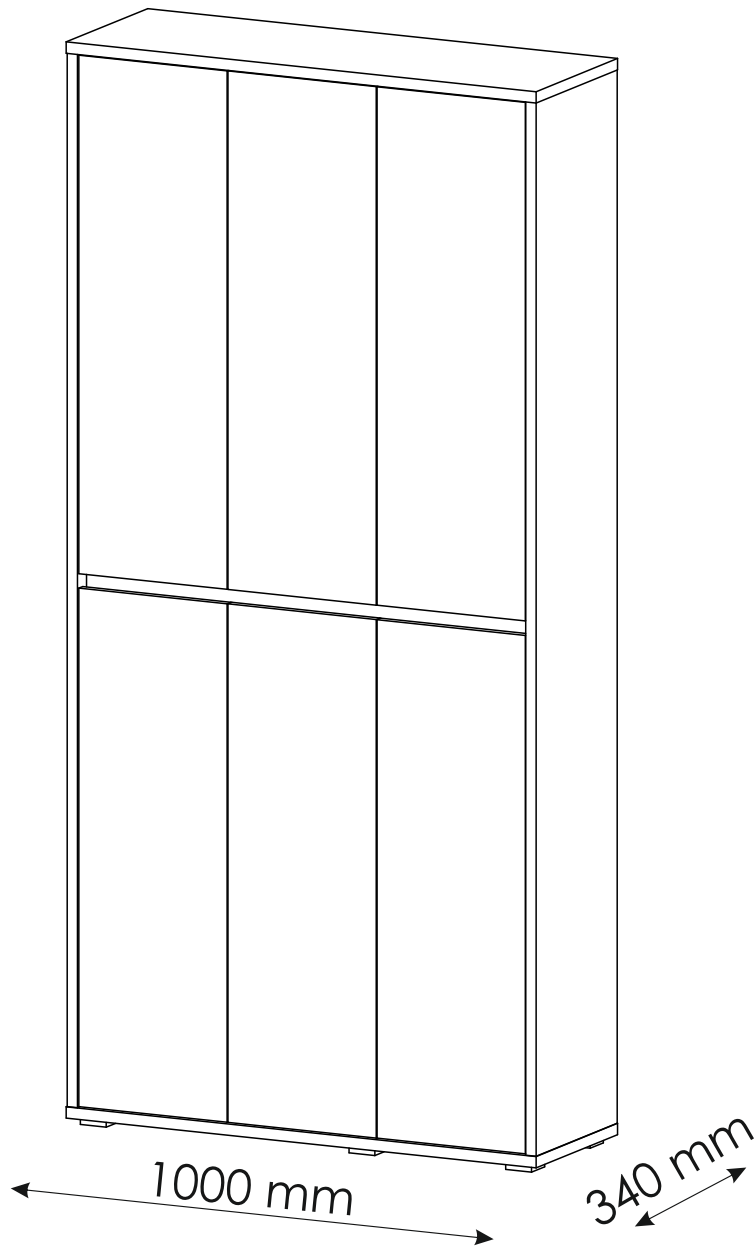
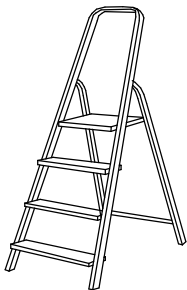






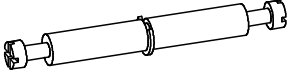




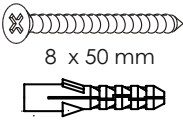

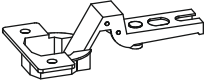
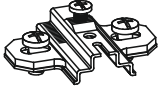
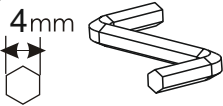
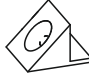
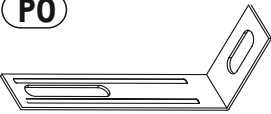
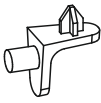
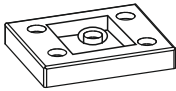

LIV - SCHUHSCHRANK 6T

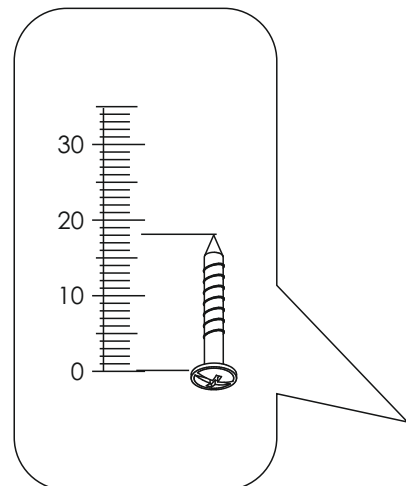
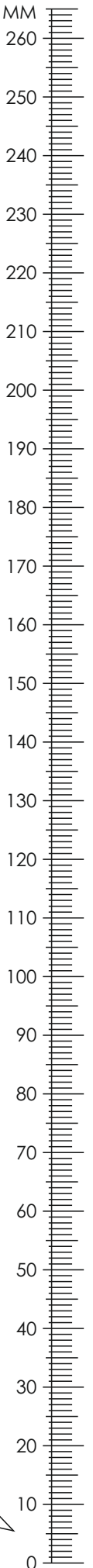


Ø8

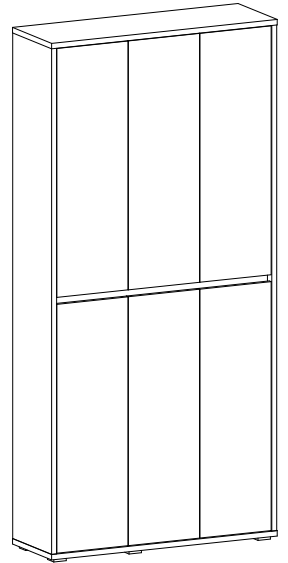



LIV - SCHUHSCHRANK 6T

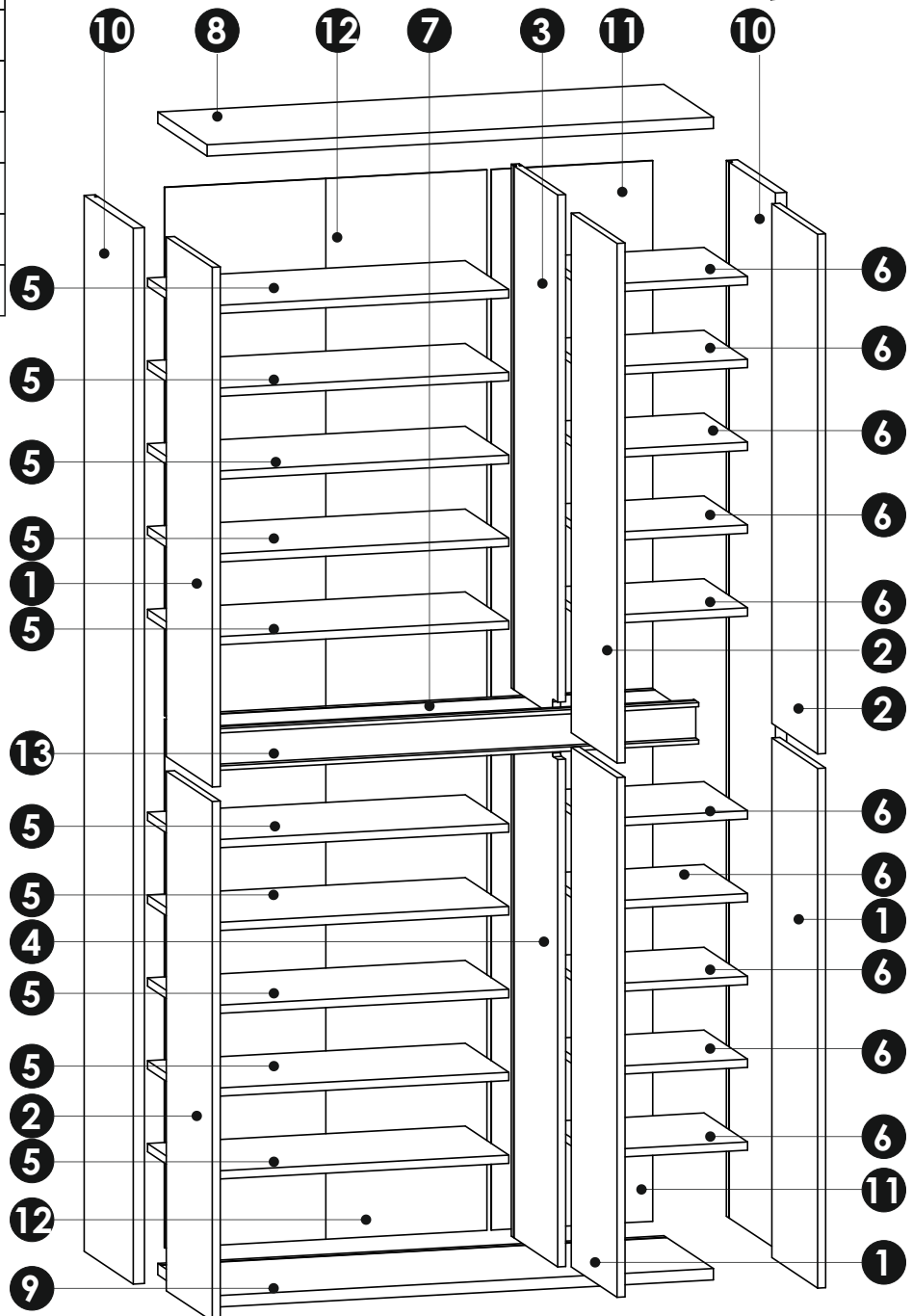
B0		x6	B2	f 7 x 70 mm 	x12	C0		x12
C2		x8	C8		x2	D0	3 x 15 mm 	x44
D10	4 x 16 mm 	x36	D12	4 x 25 mm 	x24	D21	5 x 13 mm 	x2
E0	5 x 50 mm 8 x 50 mm 	x2	J4		x12	J5		x6
J6		x18	K	4mm 	x1	M1		x44
P0		x2	Q3		x80	T5		x6
U0		x12						

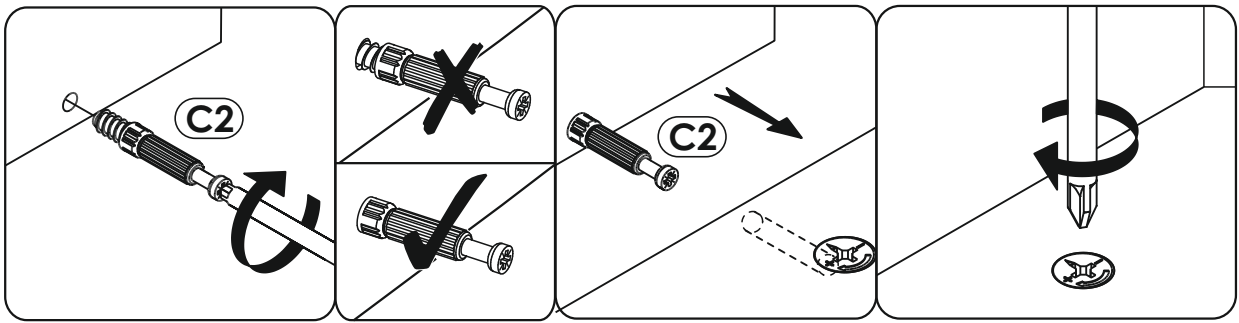


LIV - SCHUHSCHRANK 6T

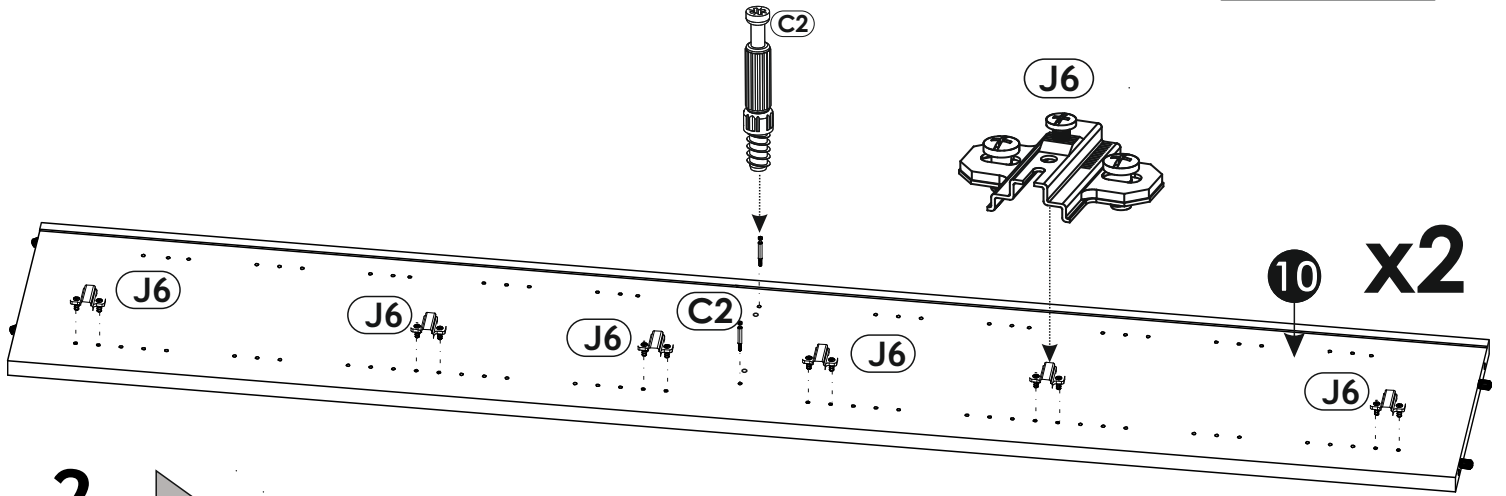
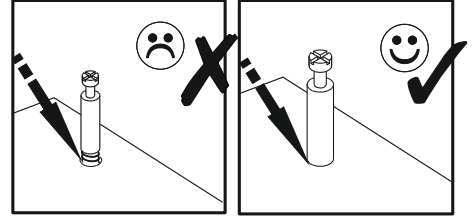
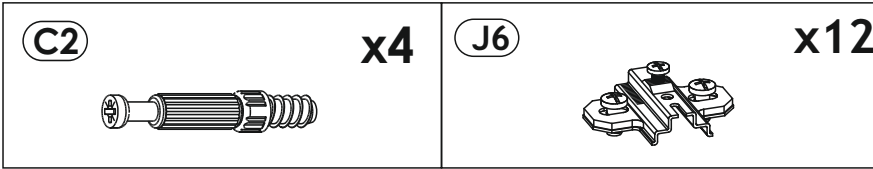


1	1004	315	16	x3	2/4
2	1004	315	16	x3	2/4
3	1012	319	16	x1	3/4
4	1012	319	16	x1	3/4
5	627	298	16	x10	4/4
6	310	298	16	x10	3/4
7	953	288	16	x1	3/4
8	999	340	22	x1	1/4
9	999	340	22	x1	1/4
10	2040	338	22	x2	1/4
11	1021	318	3	x2	2/4
12	1021	636	3	x2	2/4
13	953	90	32	x1	3/4
					3/4

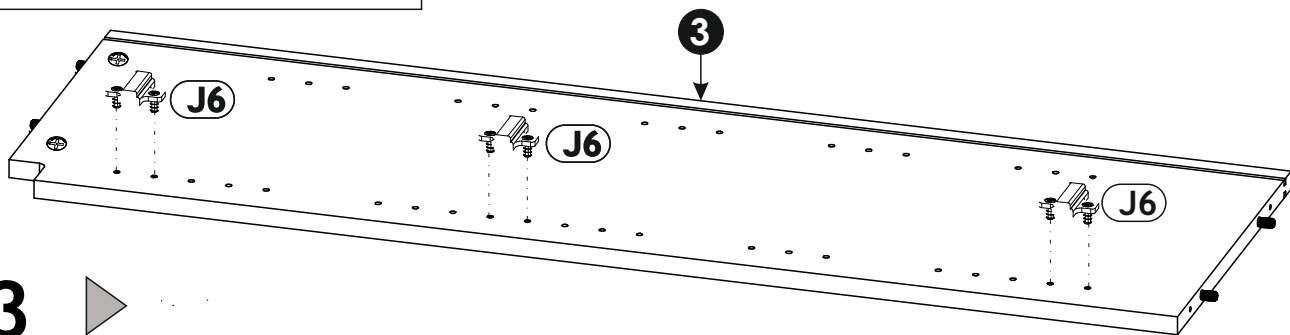
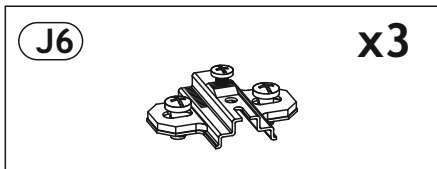




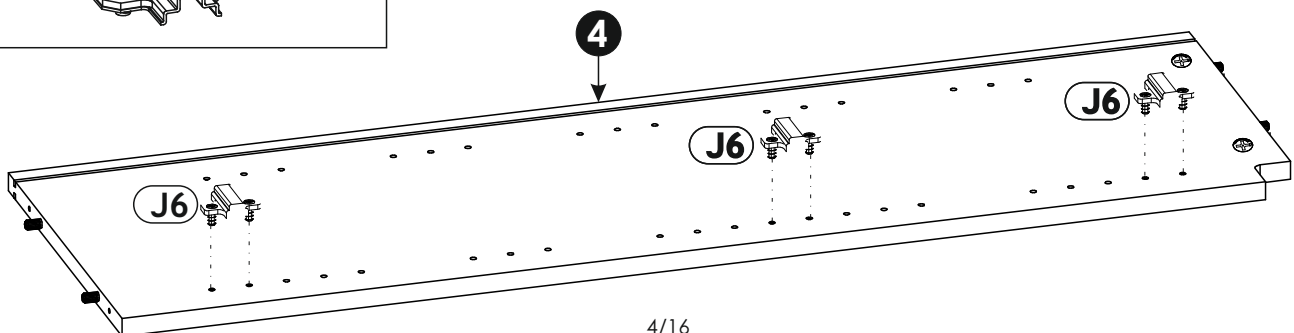
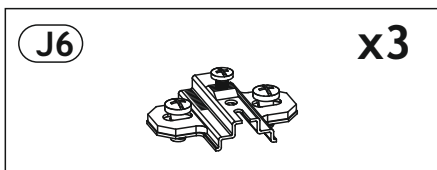
1 ▶



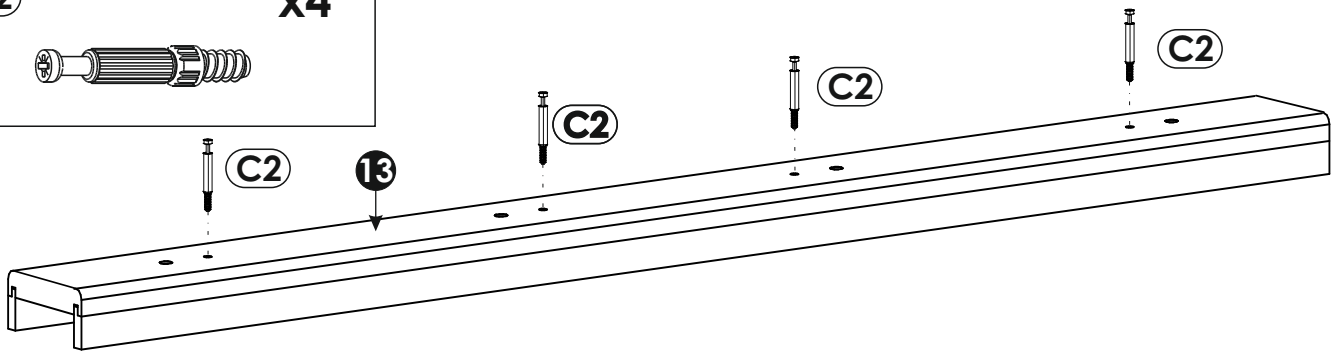
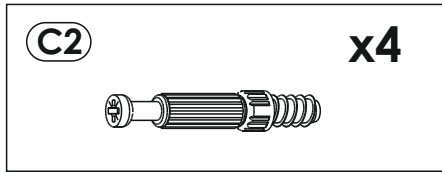
2 ▶



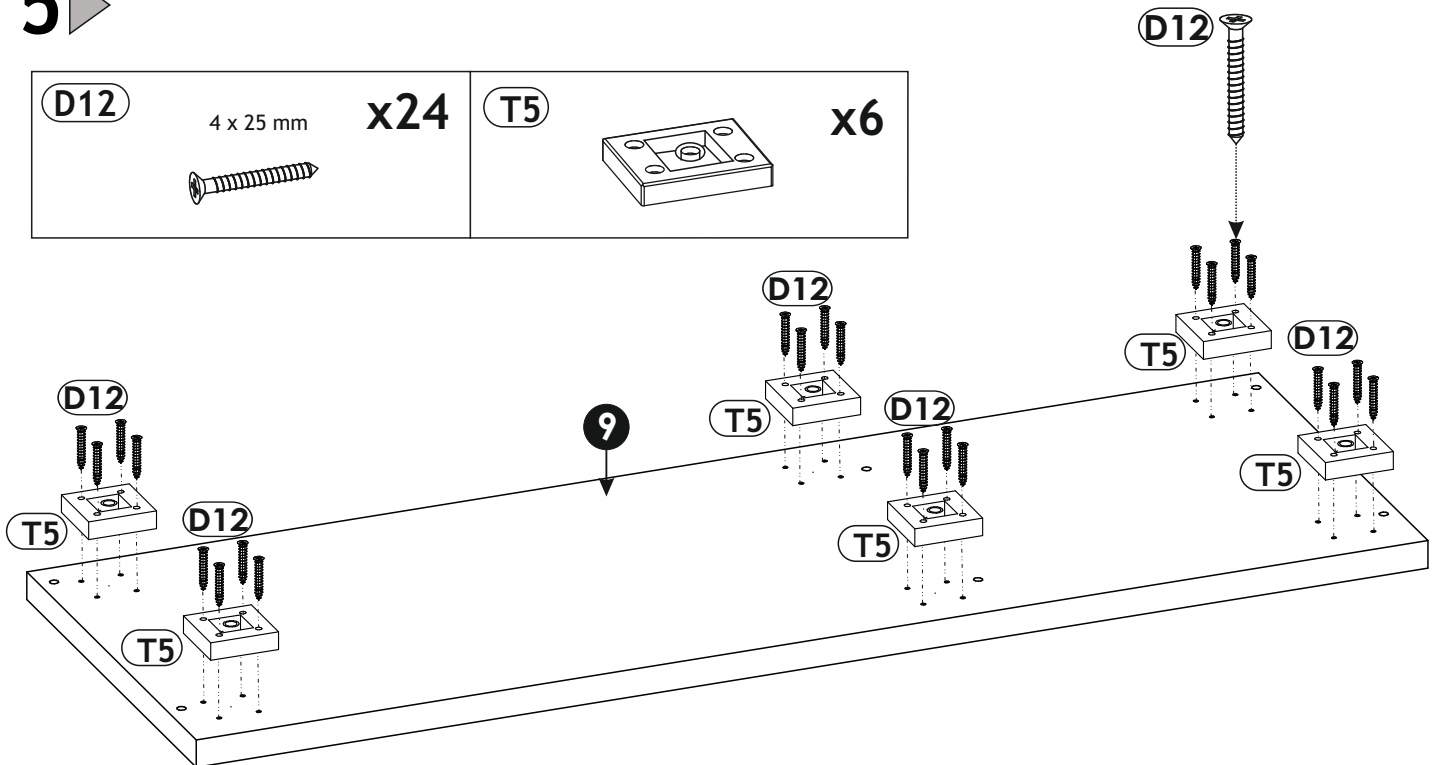
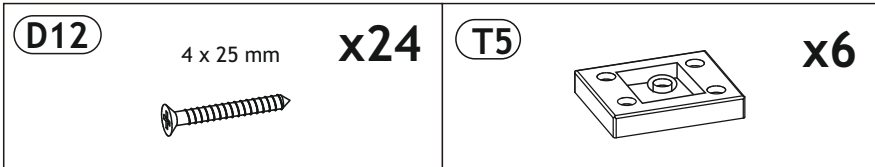
3 ▶



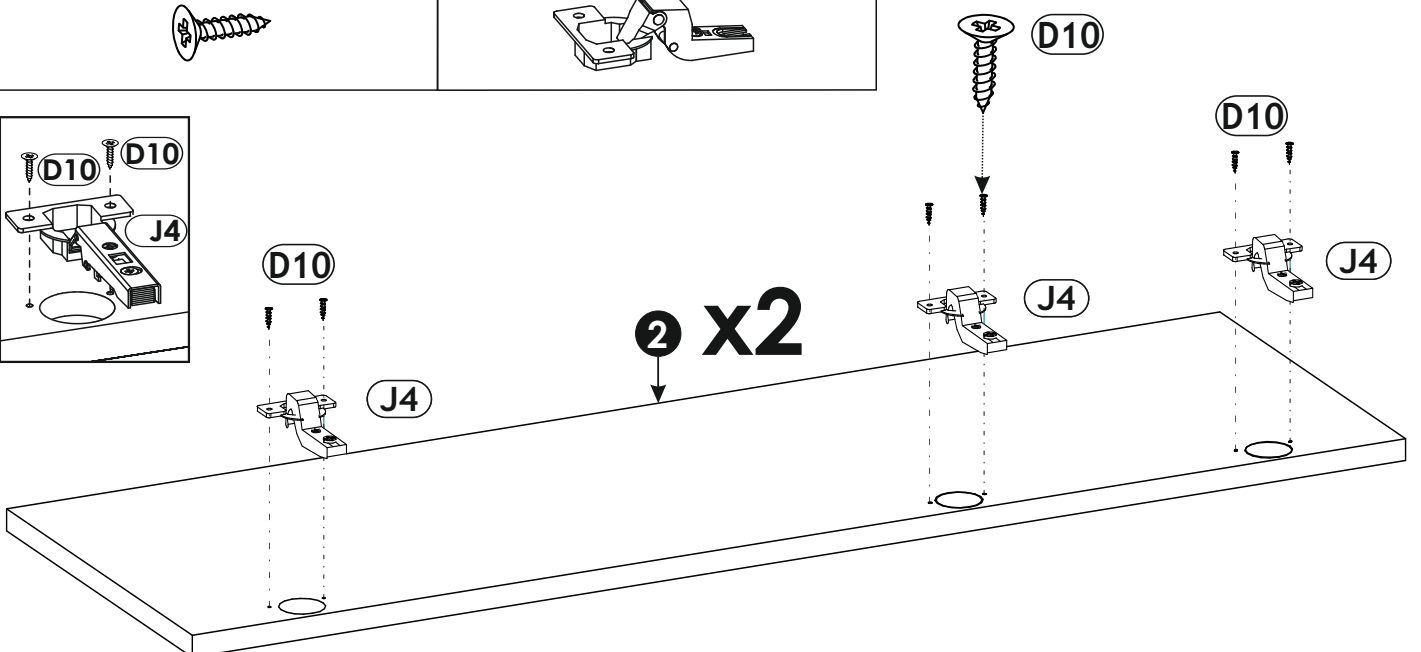
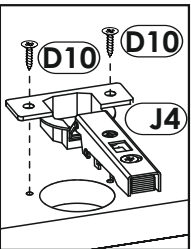
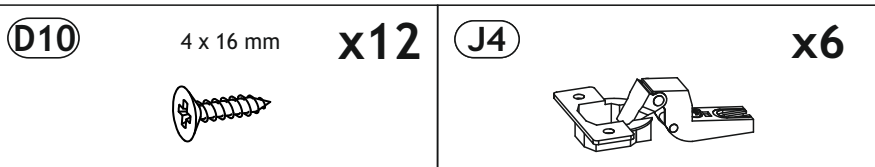
4 ▶



5 ▶

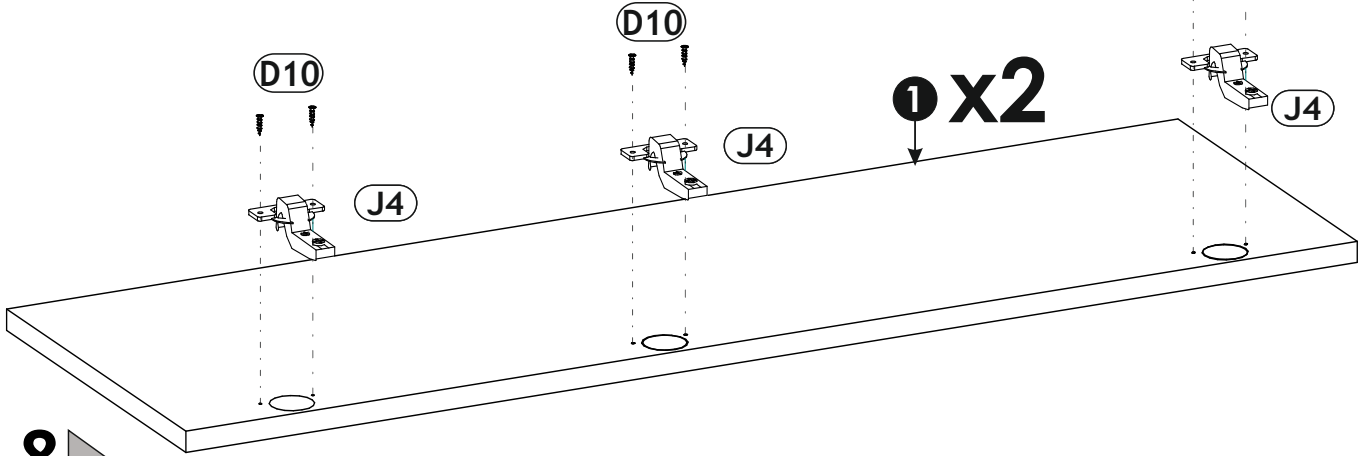


6 ▶



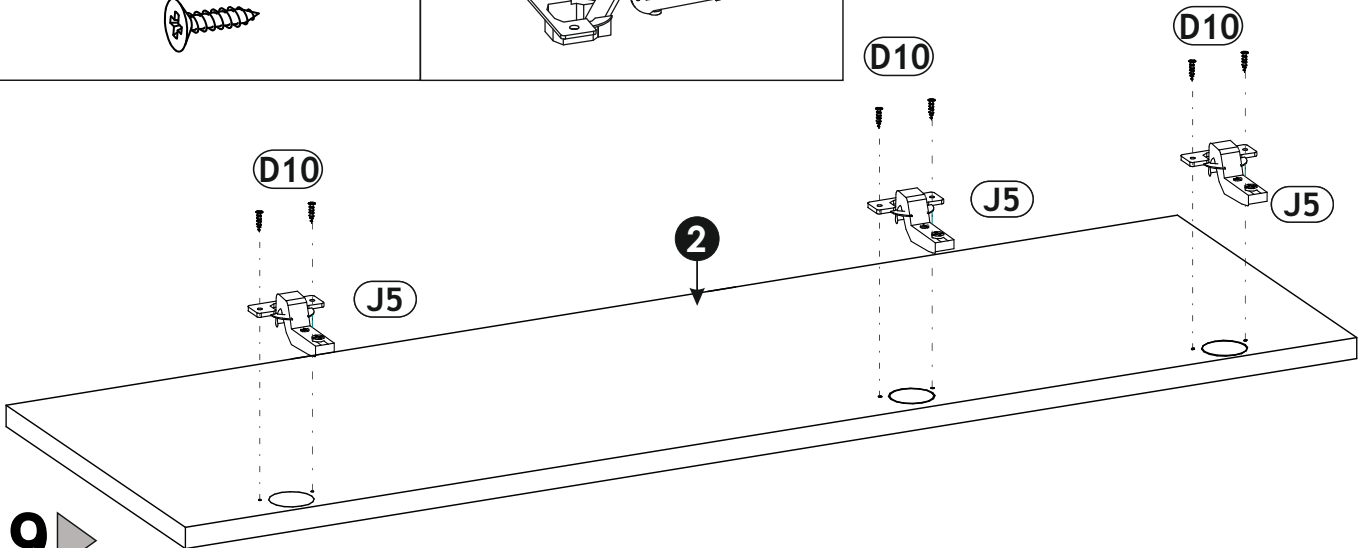
7 ▶

D10	4 x 16 mm	x12	J4	x6
------------	-----------	------------	-----------	-----------



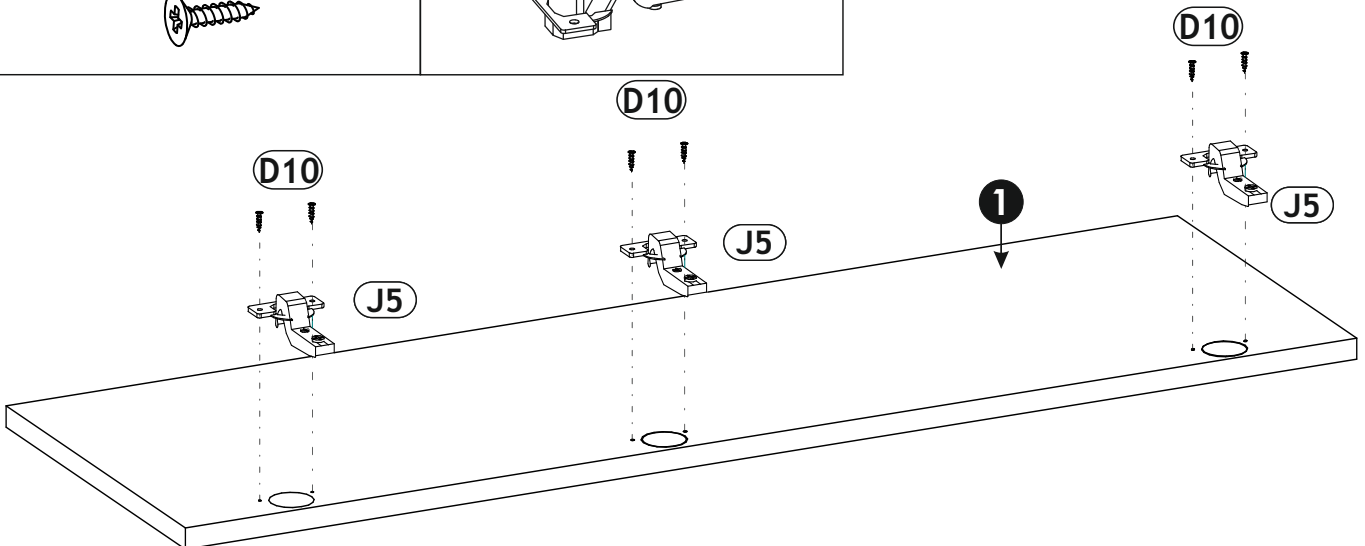
8 ▶

D10	4 x 16 mm	x6	J5	x3
------------	-----------	-----------	-----------	-----------

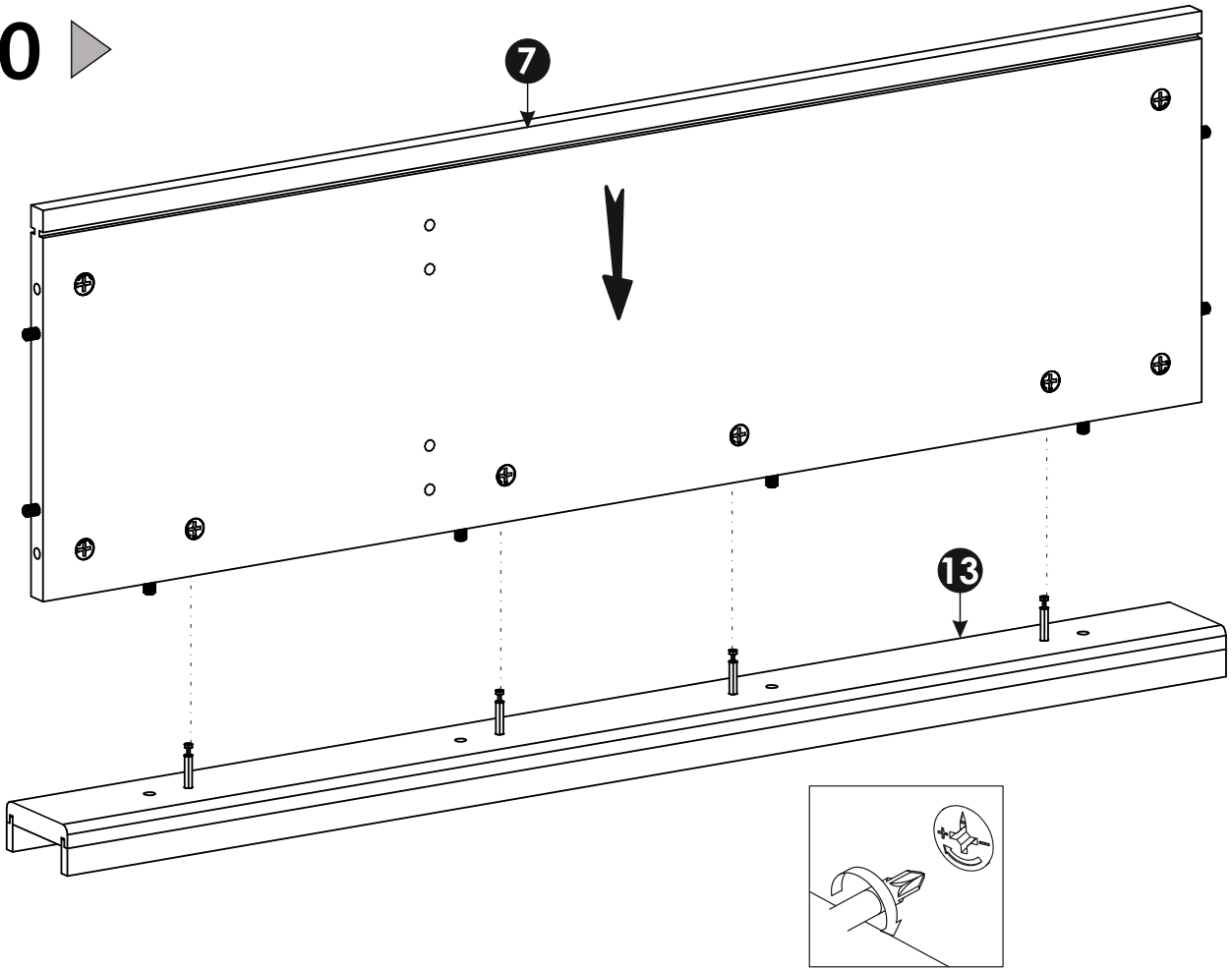


9 ▶

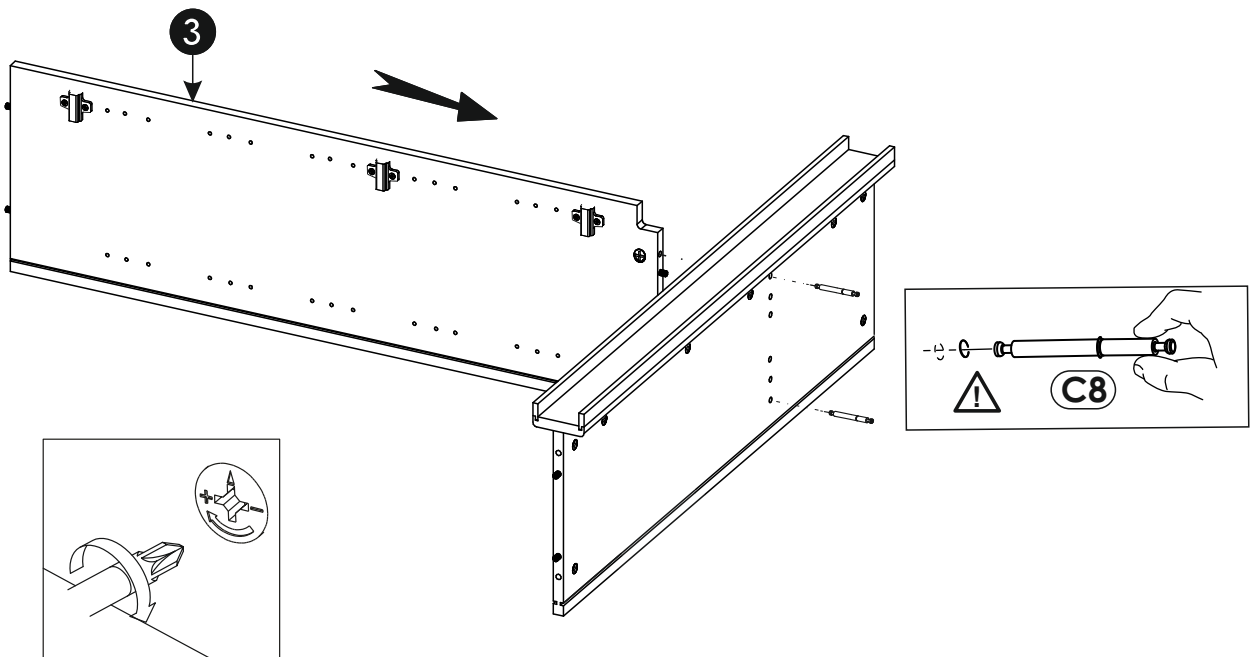
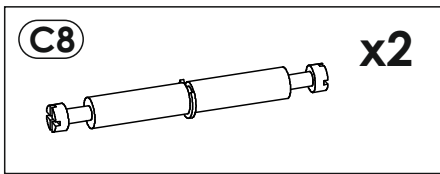
D10	4 x 16 mm	x6	J5	x3
------------	-----------	-----------	-----------	-----------



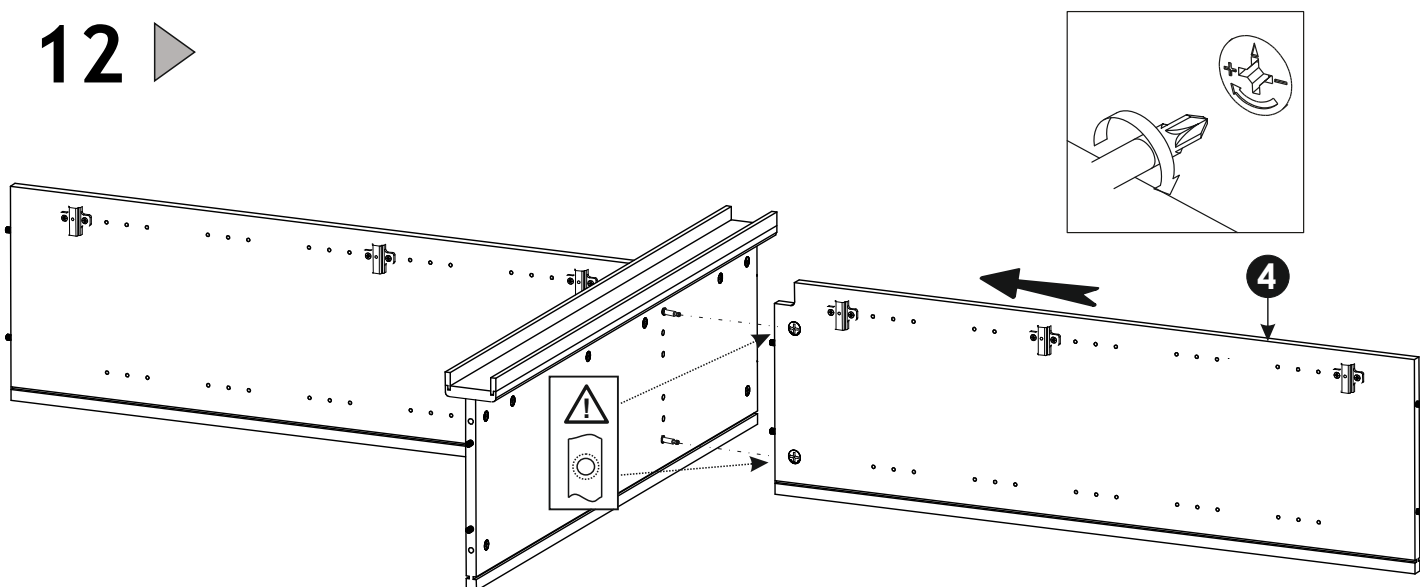
10 ▶



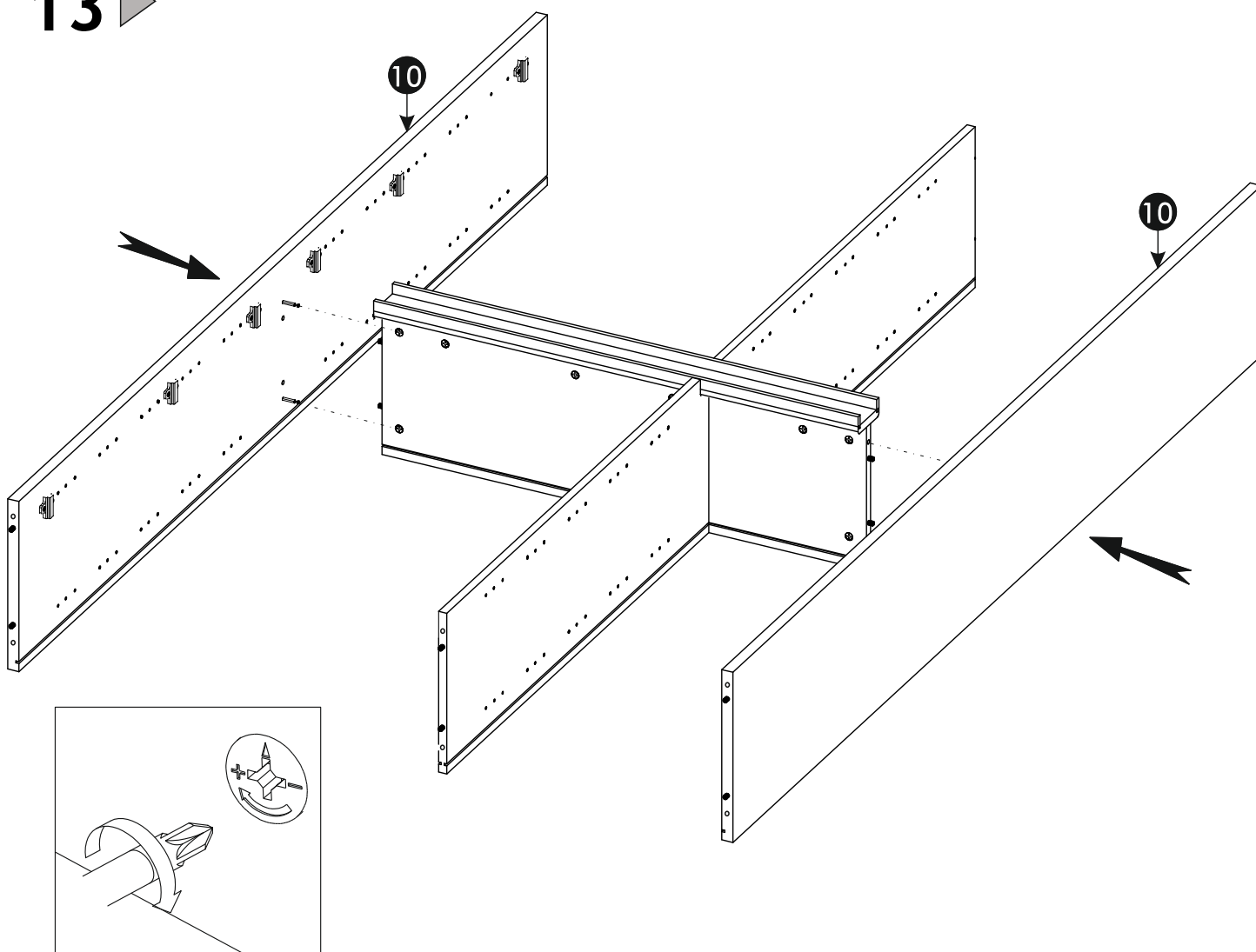
11 ▶



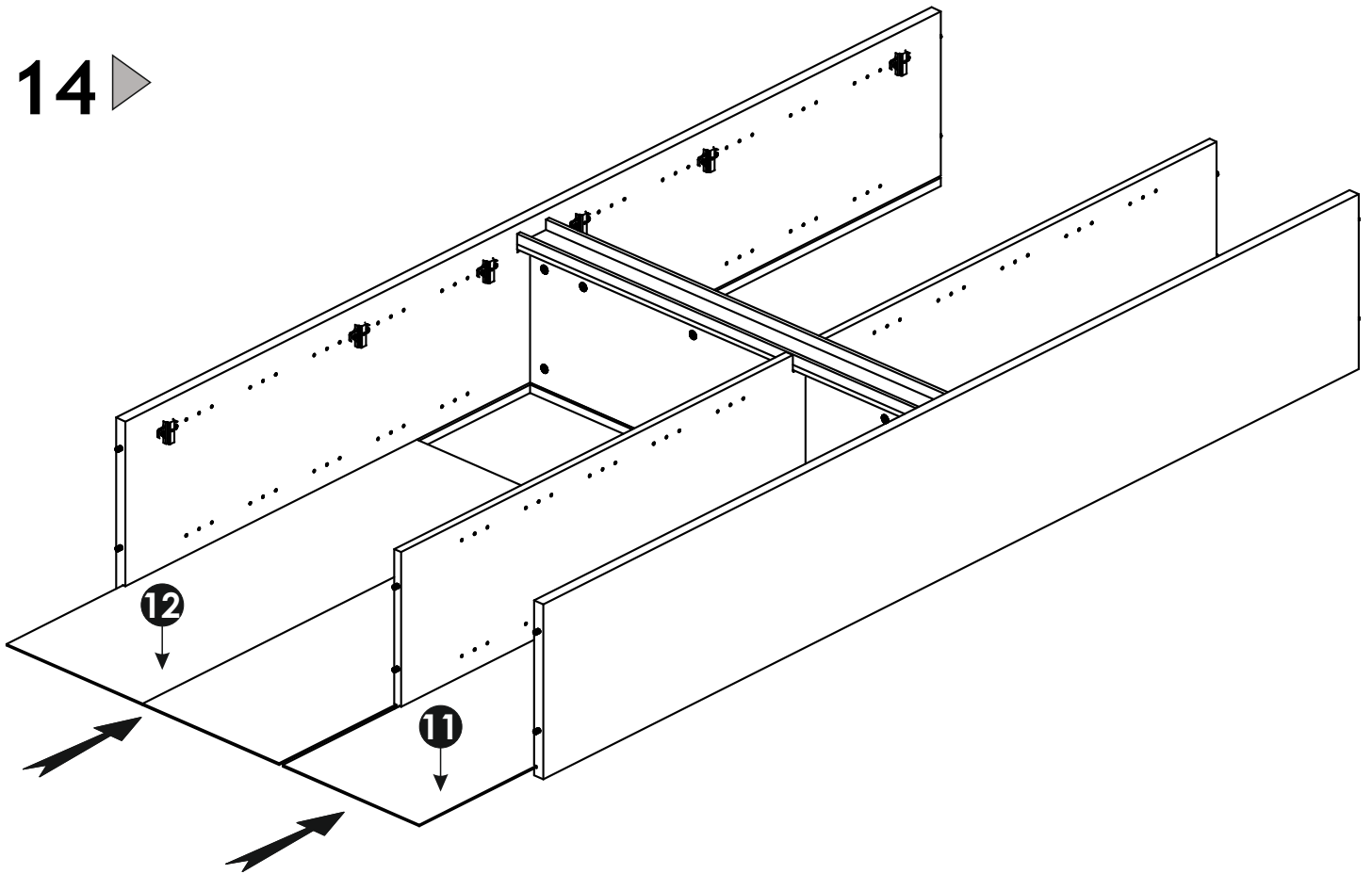
12 ▶



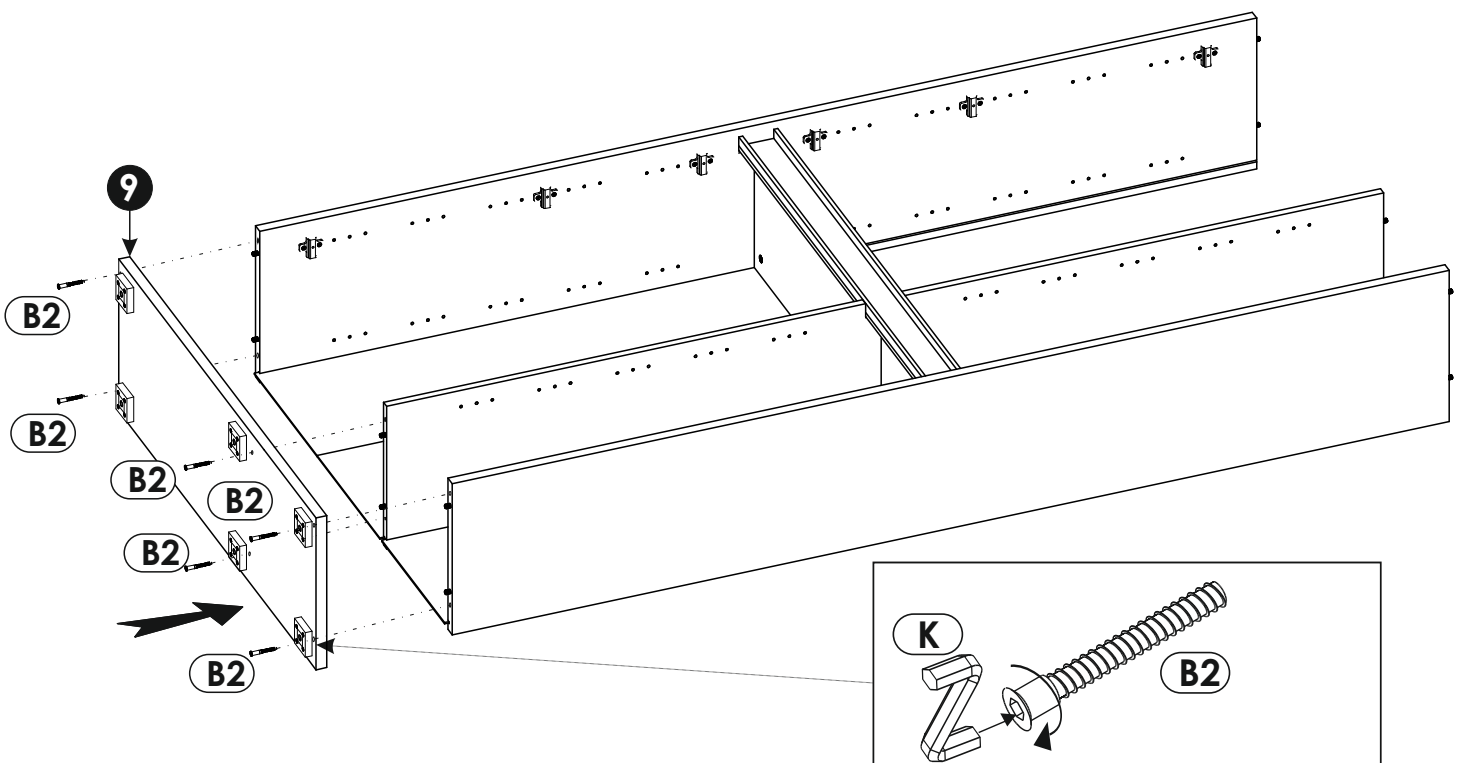
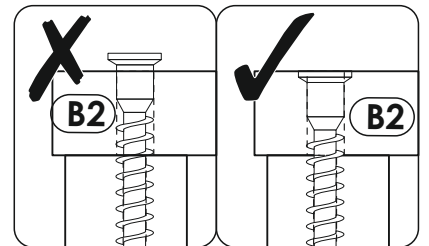
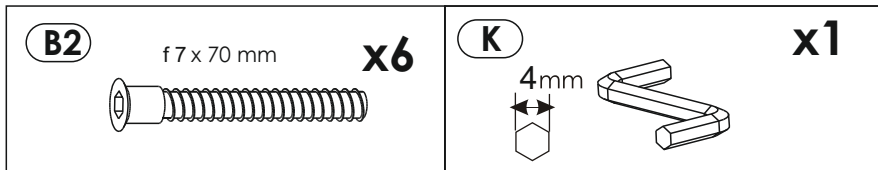
13 ▶



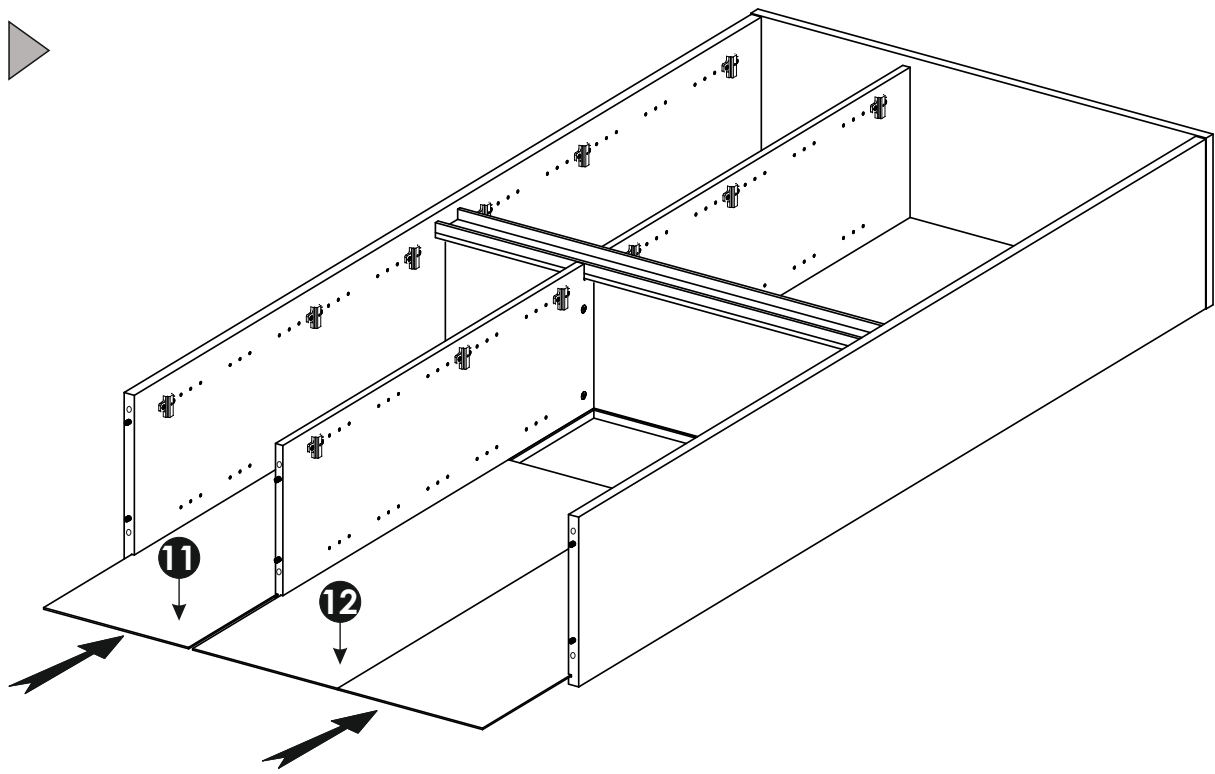
14 ▶





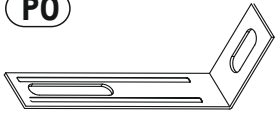
15 ▶

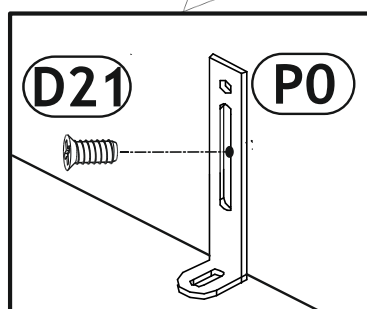
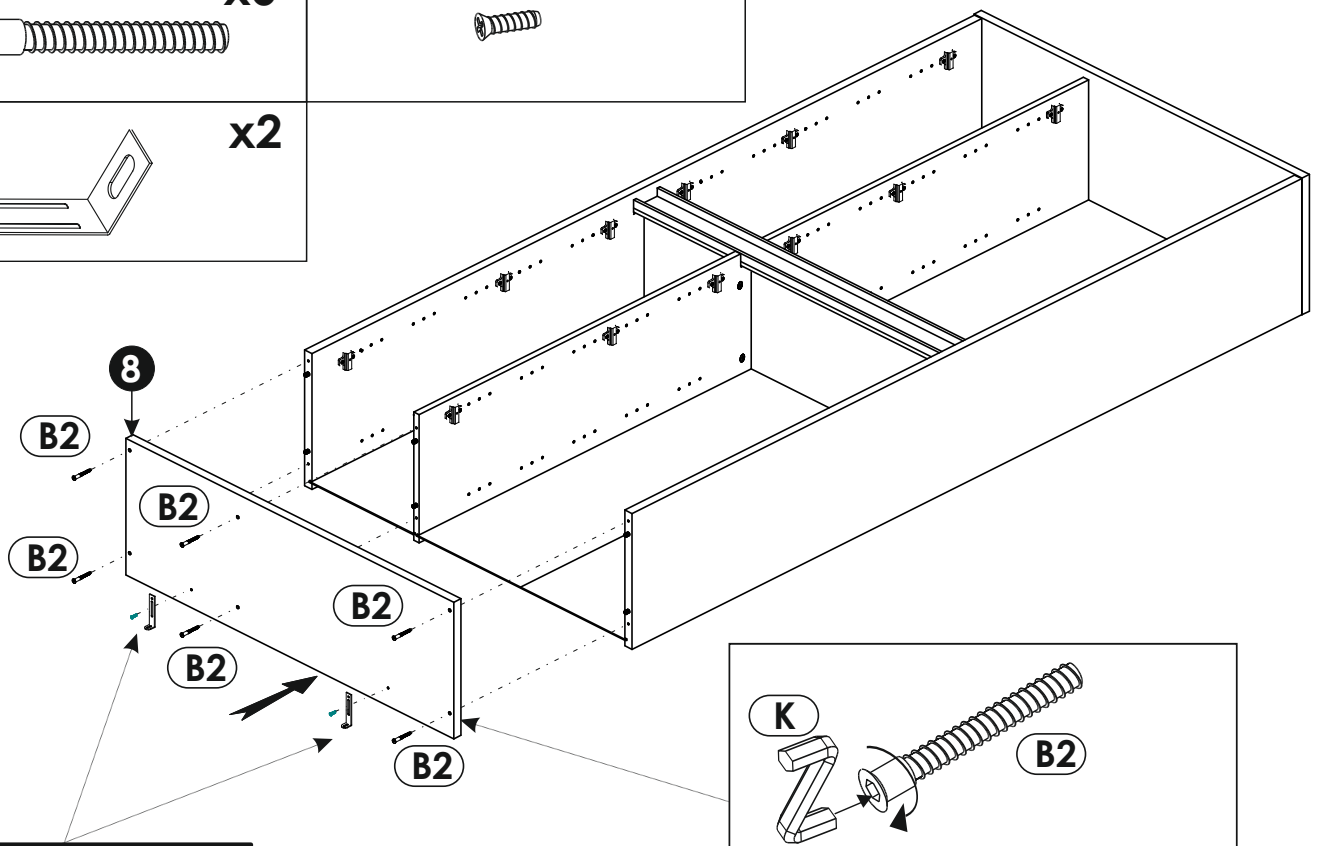


16 ▶





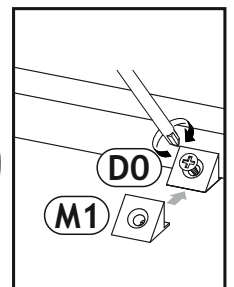
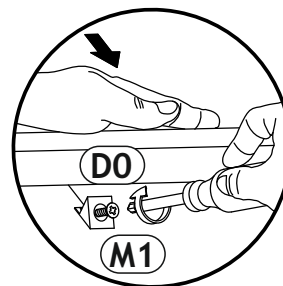
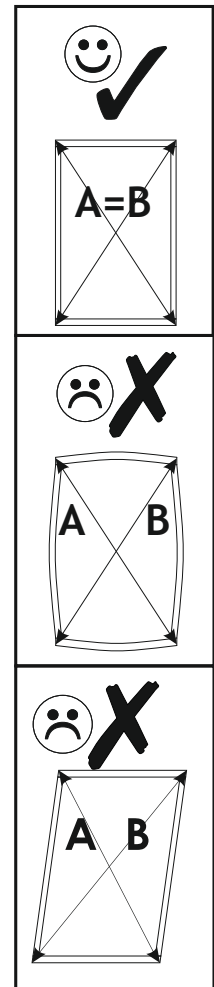
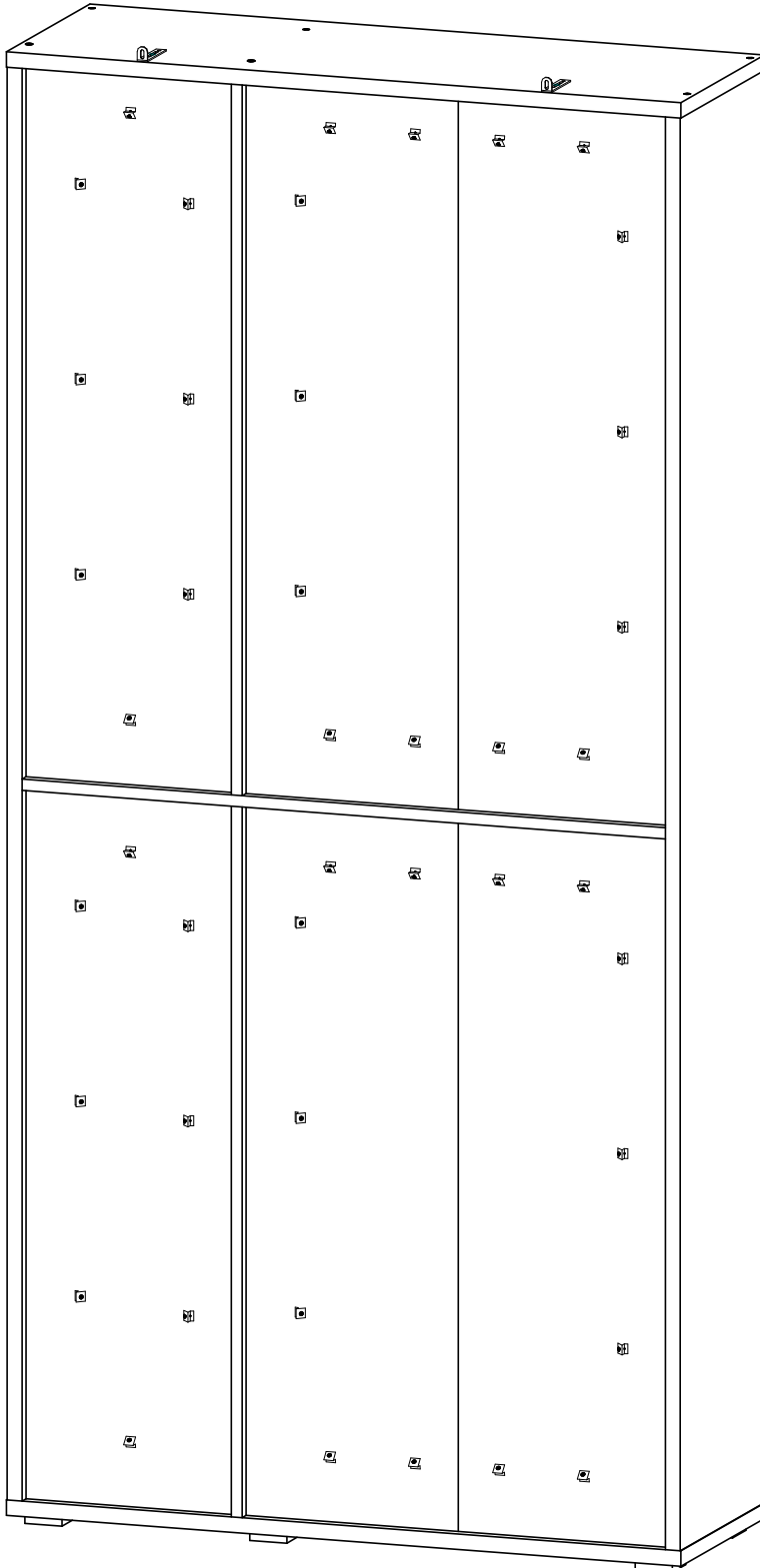
17 ▶

B2 f 7 x 70 mm x6 	D21 5 x 13 mm x2 
P0 x2 	

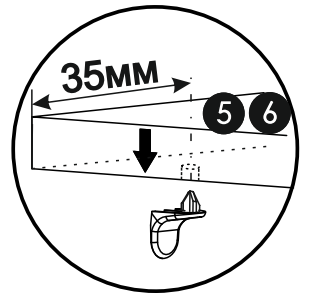
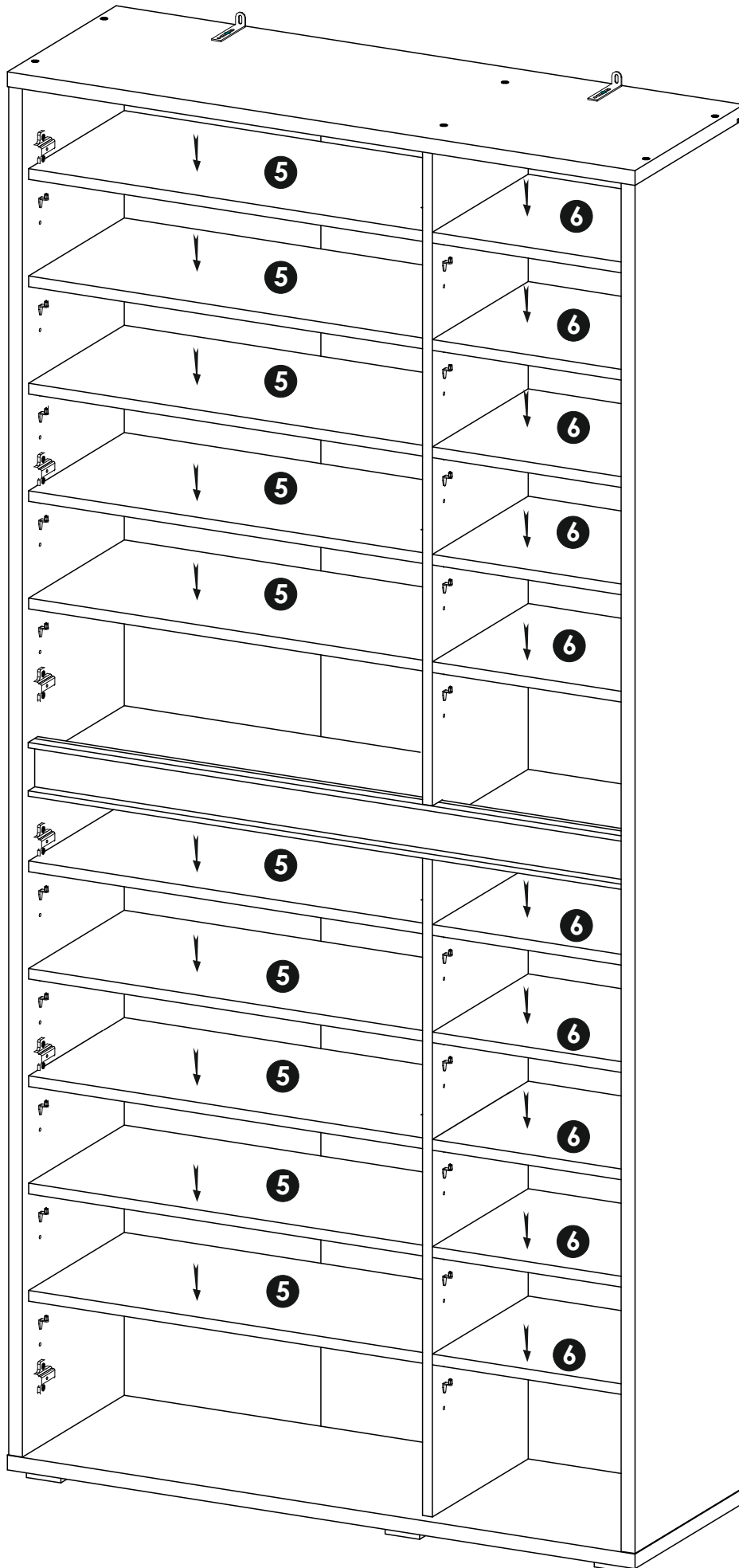


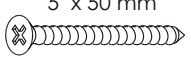


18 ▶

D0	3 x 15 mm	x44	M1	x44
				



20 ▶



E0	 5 x 50 mm  8 x 50 mm	x2	U0		x12
-----------	--	-----------	-----------	---	------------

