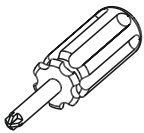
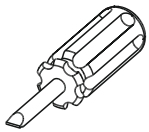
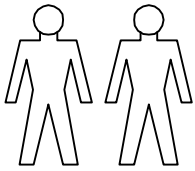
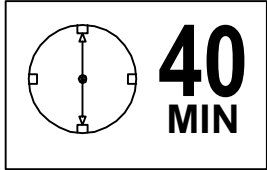
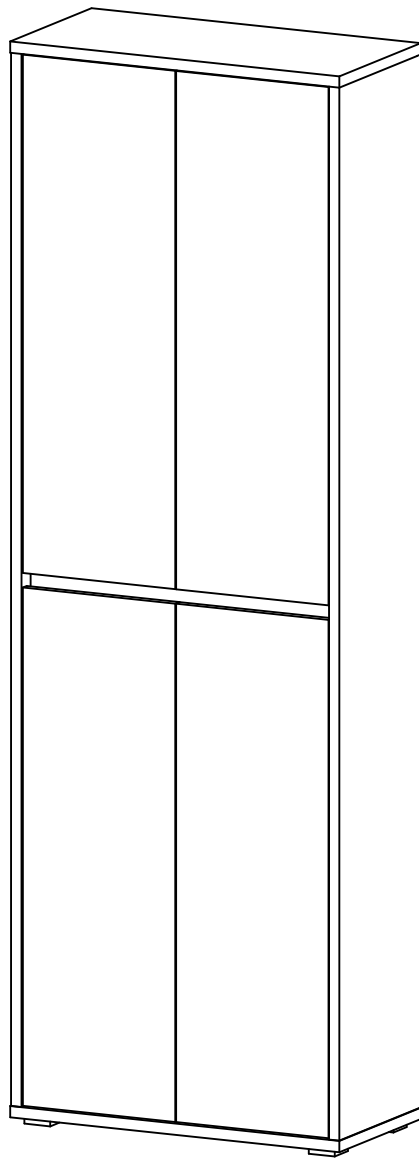
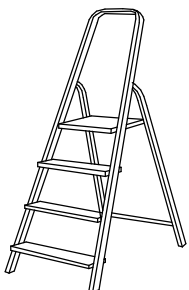


LIV - SCHUHSCHRANK 4T



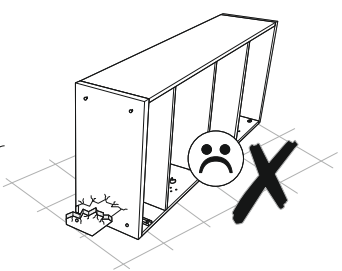
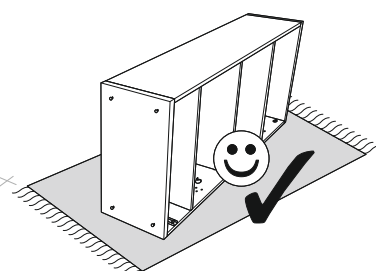
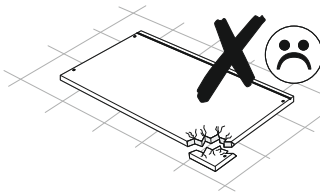
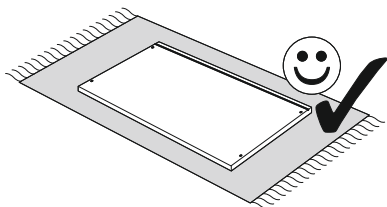
Ø8




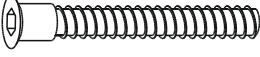



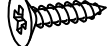


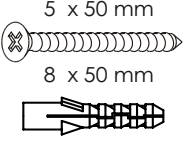

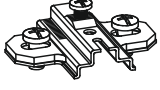
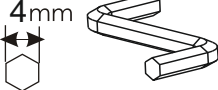

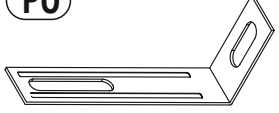

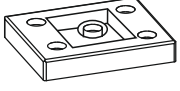

2100 mm

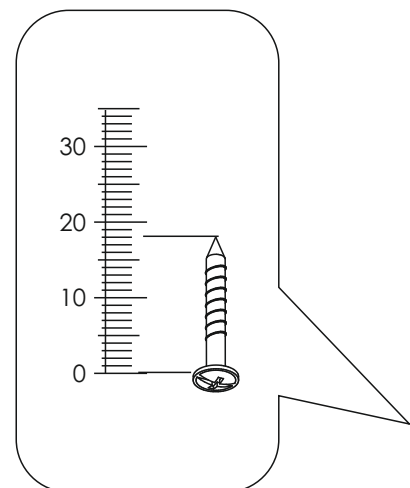
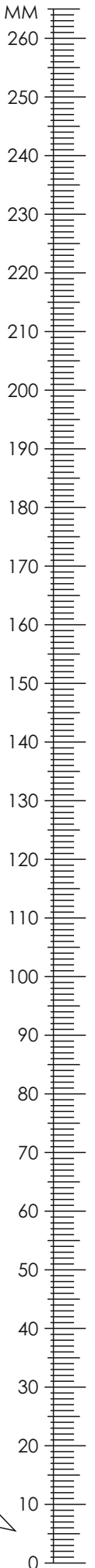
700 mm

340 mm




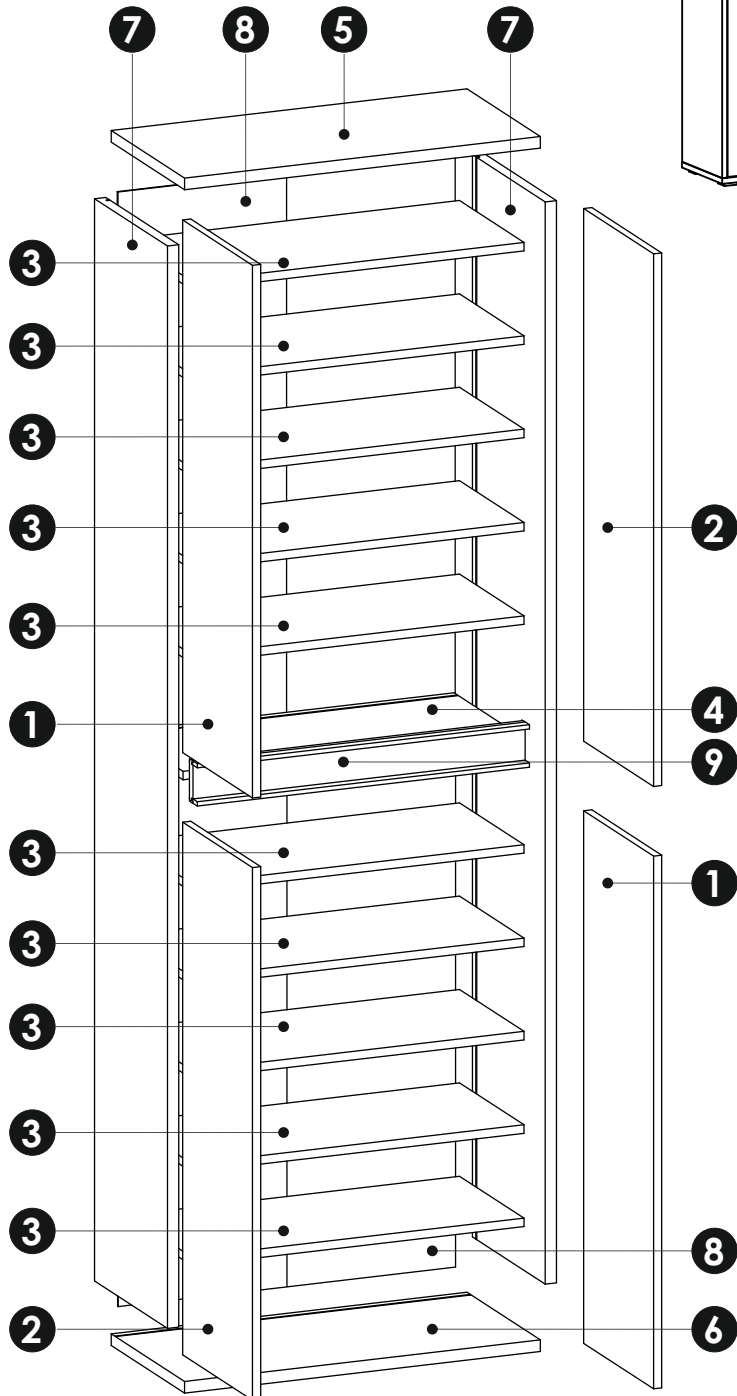
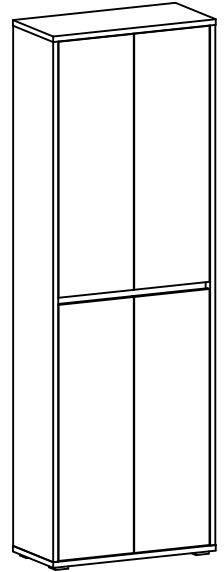
LIV - SCHUHSCHRANK 4T

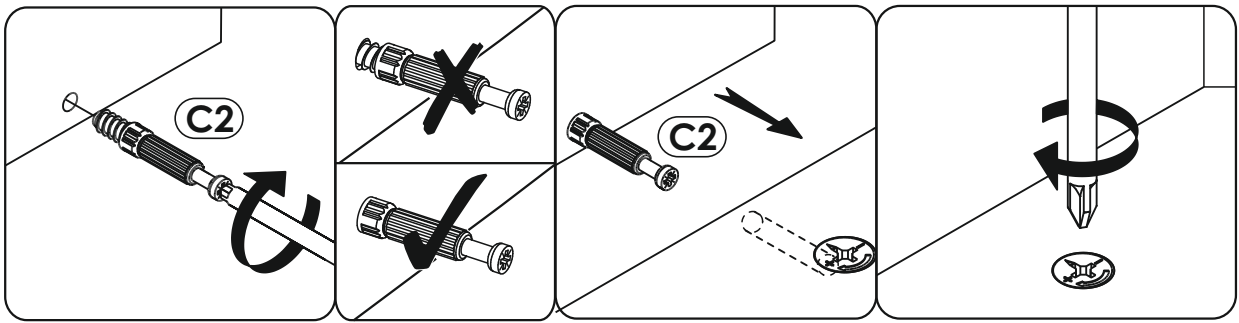
B0	x4	B2	f 7 x 70 mm x8	C0	x7
					
C2	x7	D0	3 x 15 mm x28	D10	4 x 16 mm x24
					
D12	4 x 25 mm x16	D21	5 x 13 mm x1	E0	5 x 50 mm x1 8 x 50 mm
					
J4	x12	J6	x12	K	x1
					
M1	x28	P0	x1	Q3	x40
					
T5	x4	U0	x8		
					



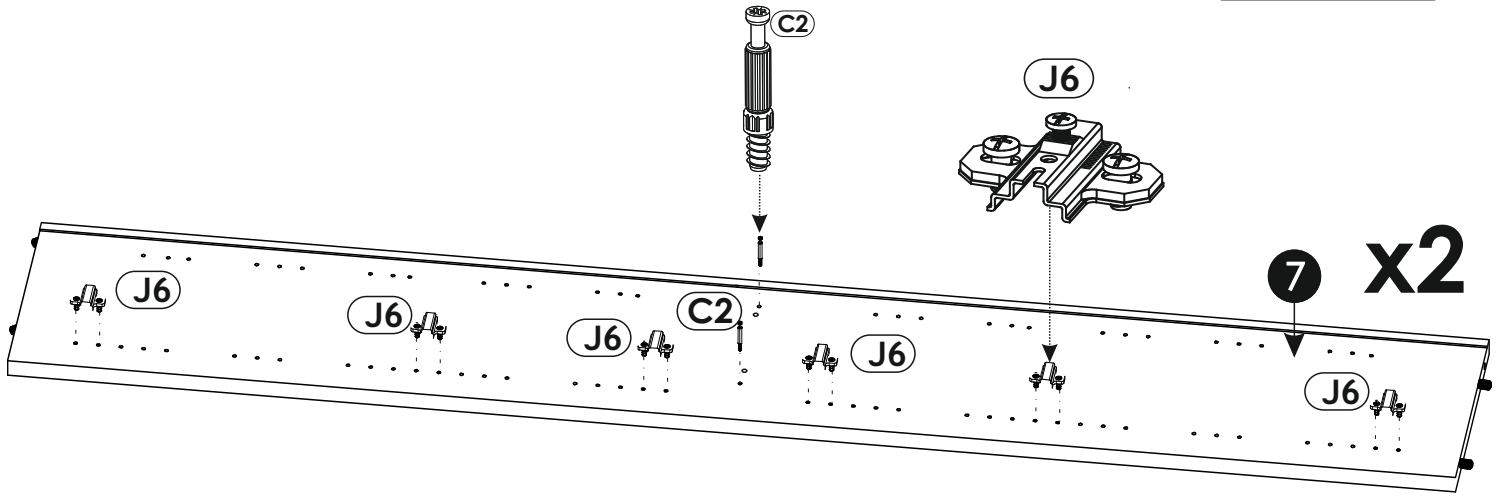
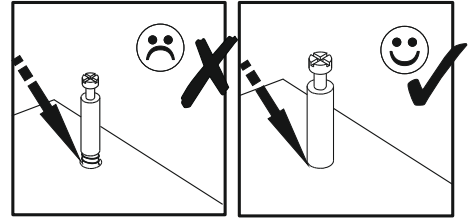
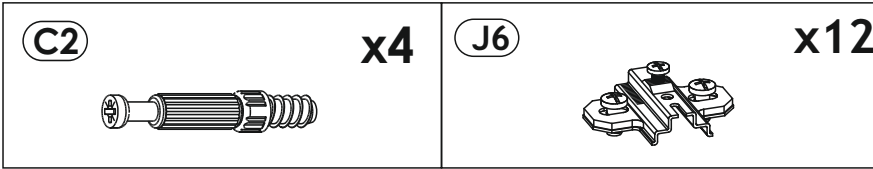
LIV - SCHUHSCHRANK 4T

1	1004	324	16	x2	2/3
2	1004	324	16	x2	2/3
3	654	299	16	x10	3/3
4	654	288	16	x1	2/3
5	700	340	22	x1	1/3
6	700	340	22	x1	1/3
7	2040	338	22	x2	1/3
8	1021	664	3	x2	2/3
9	654	90	32	x1	3/3
					2/3

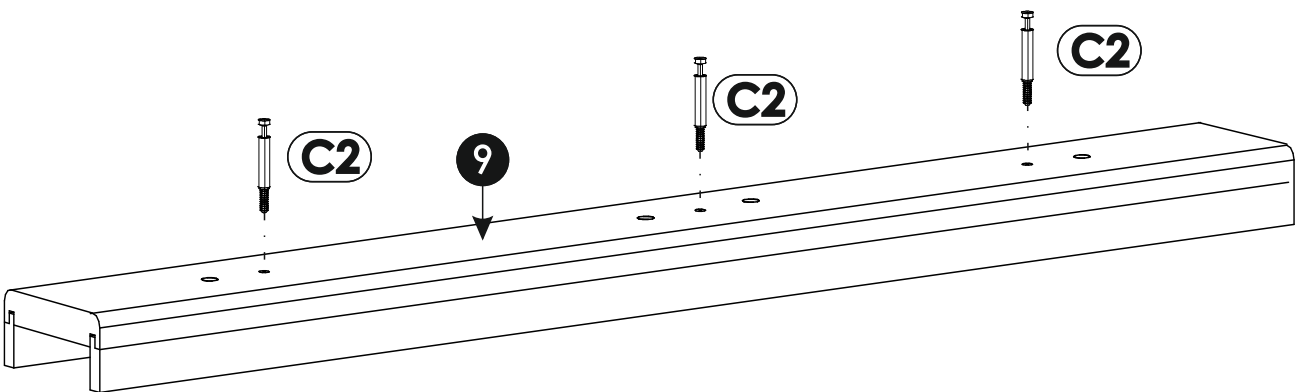
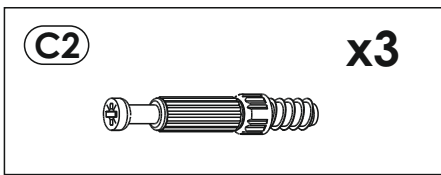





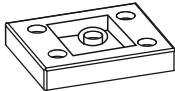
1 ▶

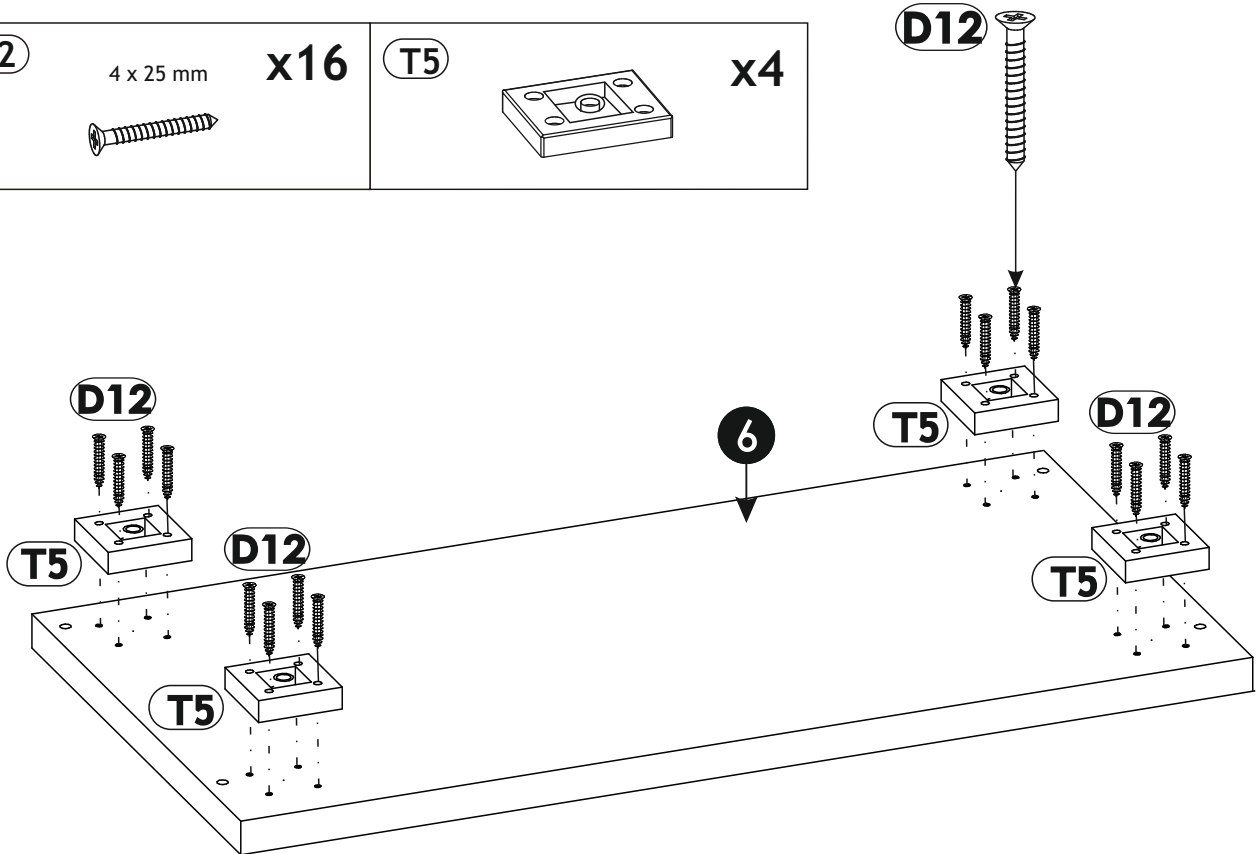


2 ▶





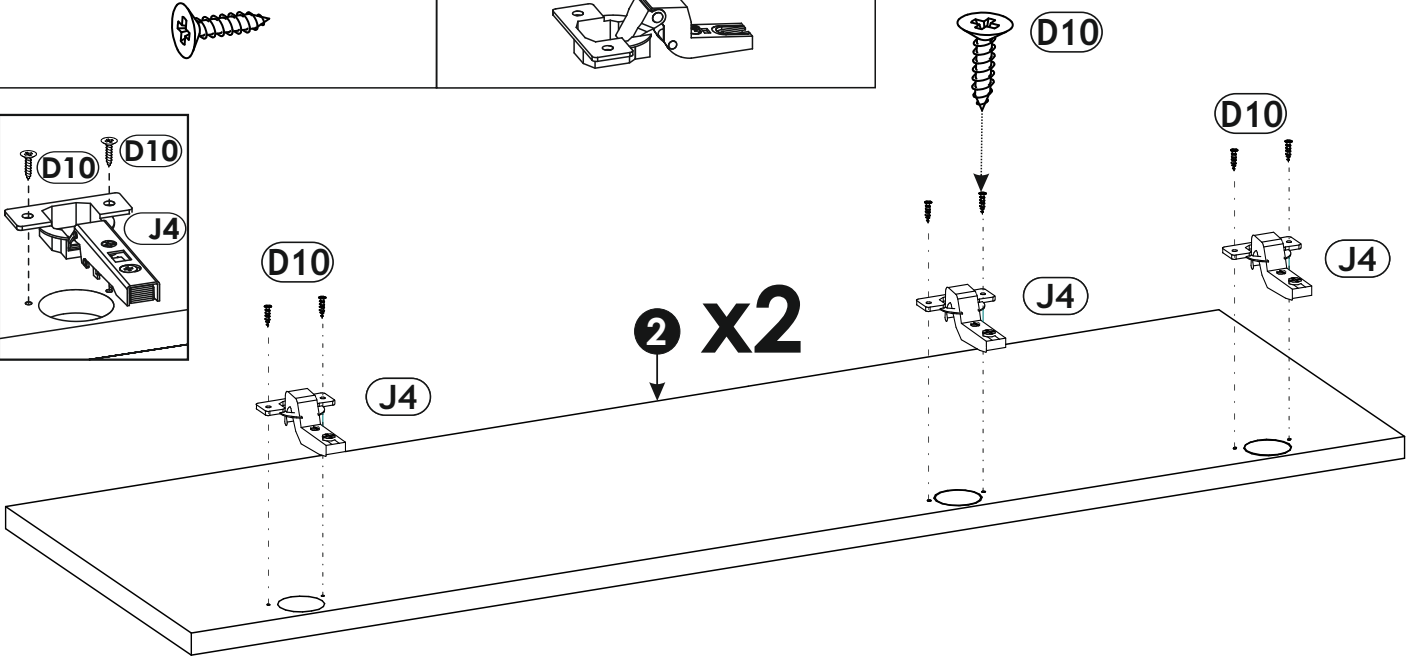
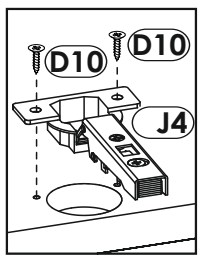
3 ▶

D12	4 x 25 mm	x16	T5		x4
					



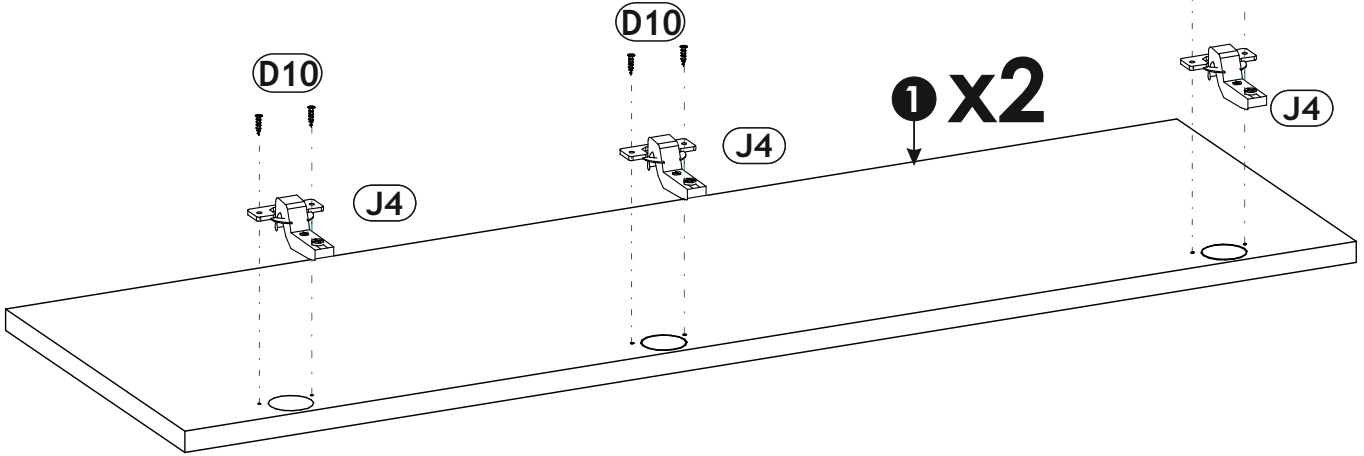
4 ▶

D10	4 x 16 mm	x12	J4		x6
					

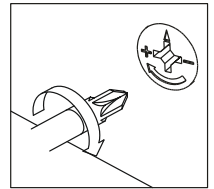
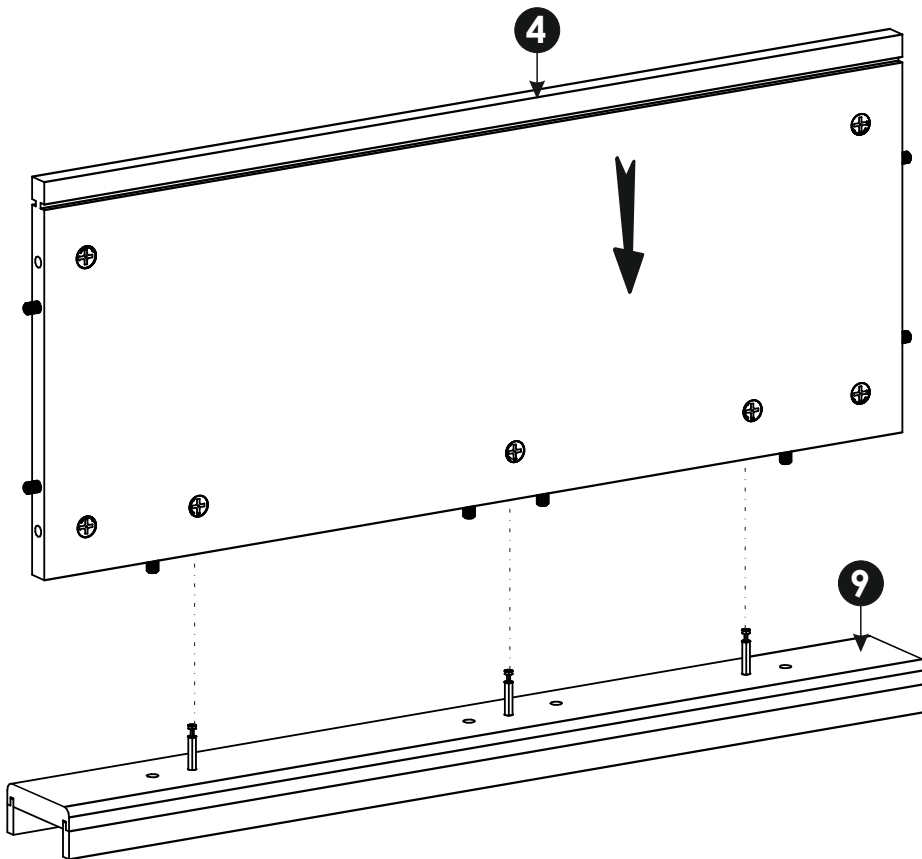


5 ▶

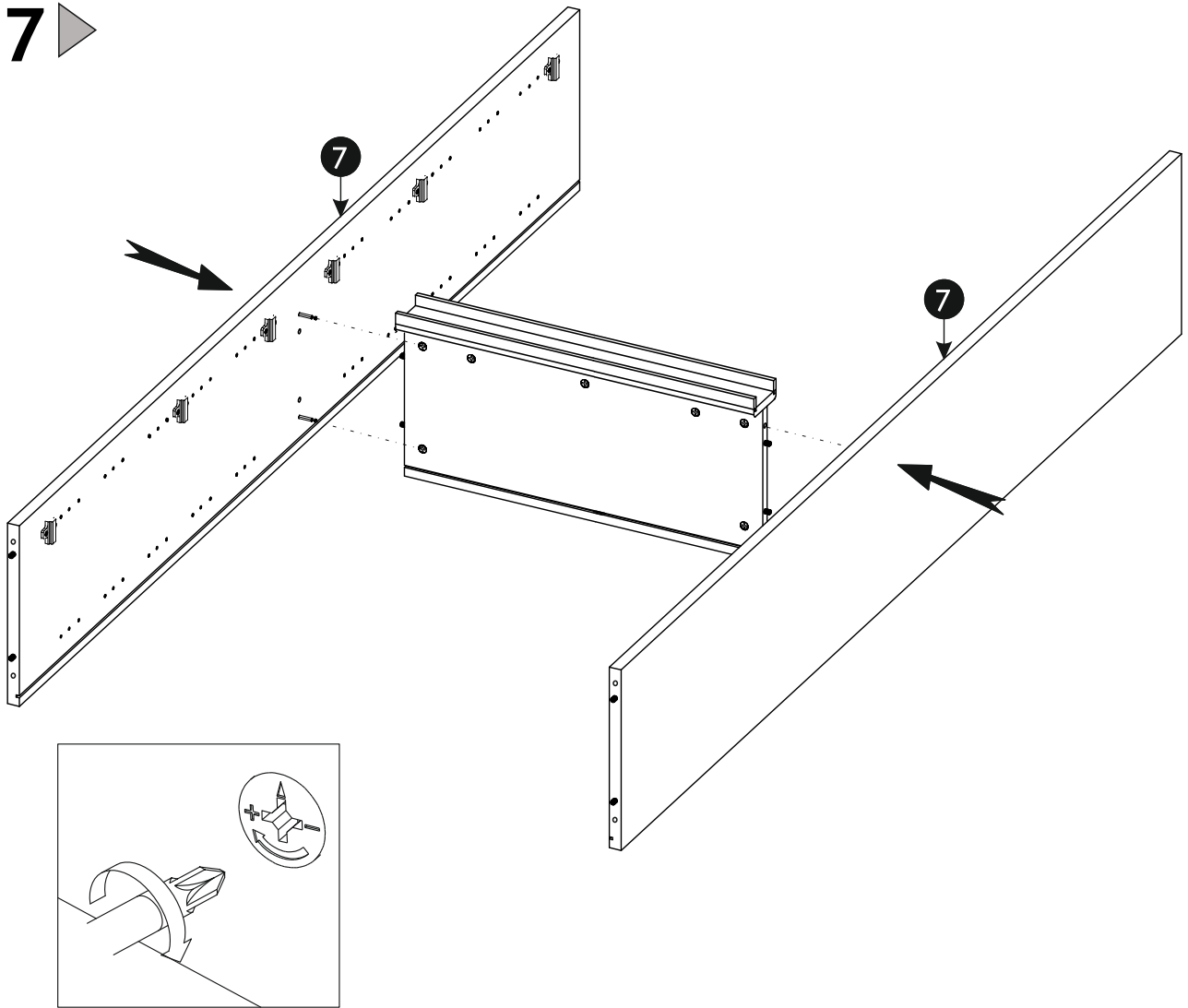
D10	4 x 16 mm	x12	J4	x6
------------	-----------	------------	-----------	-----------



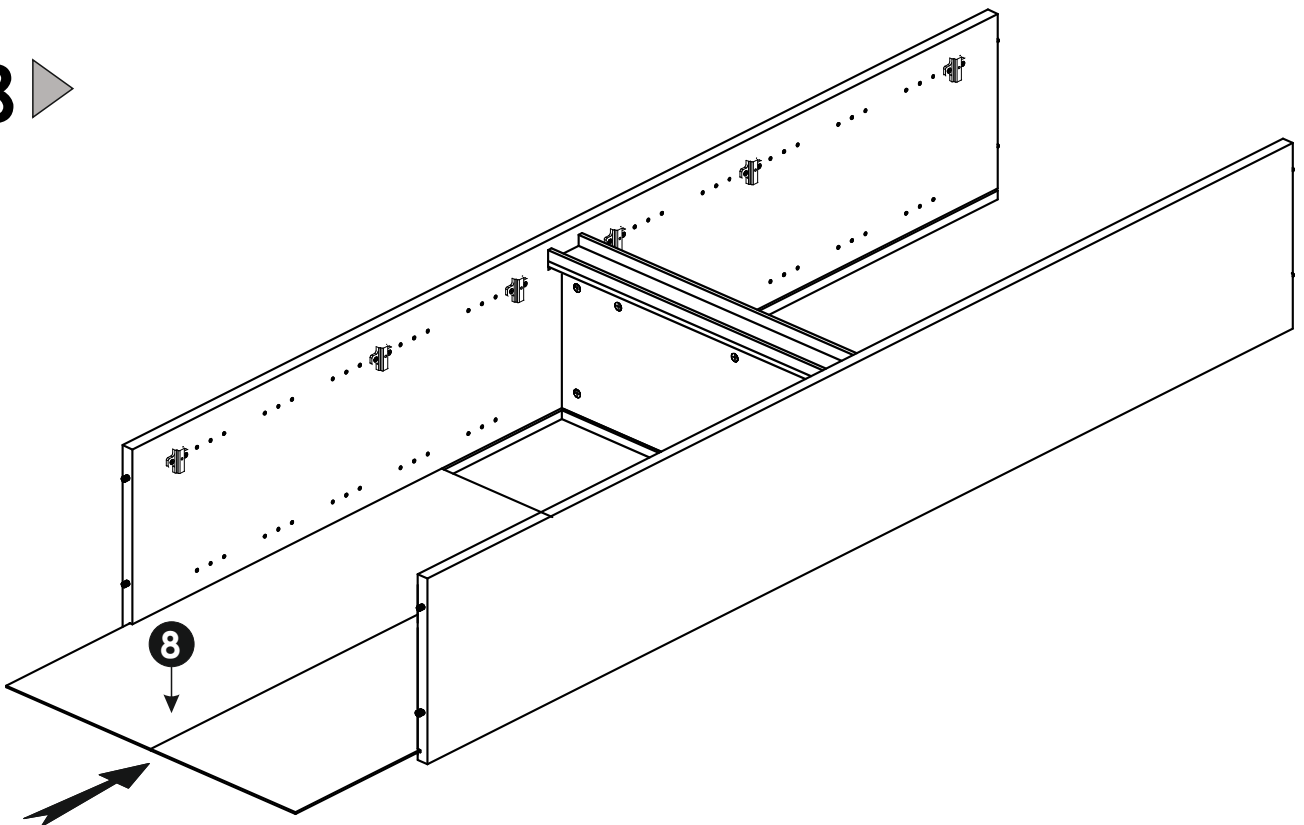
6 ▶



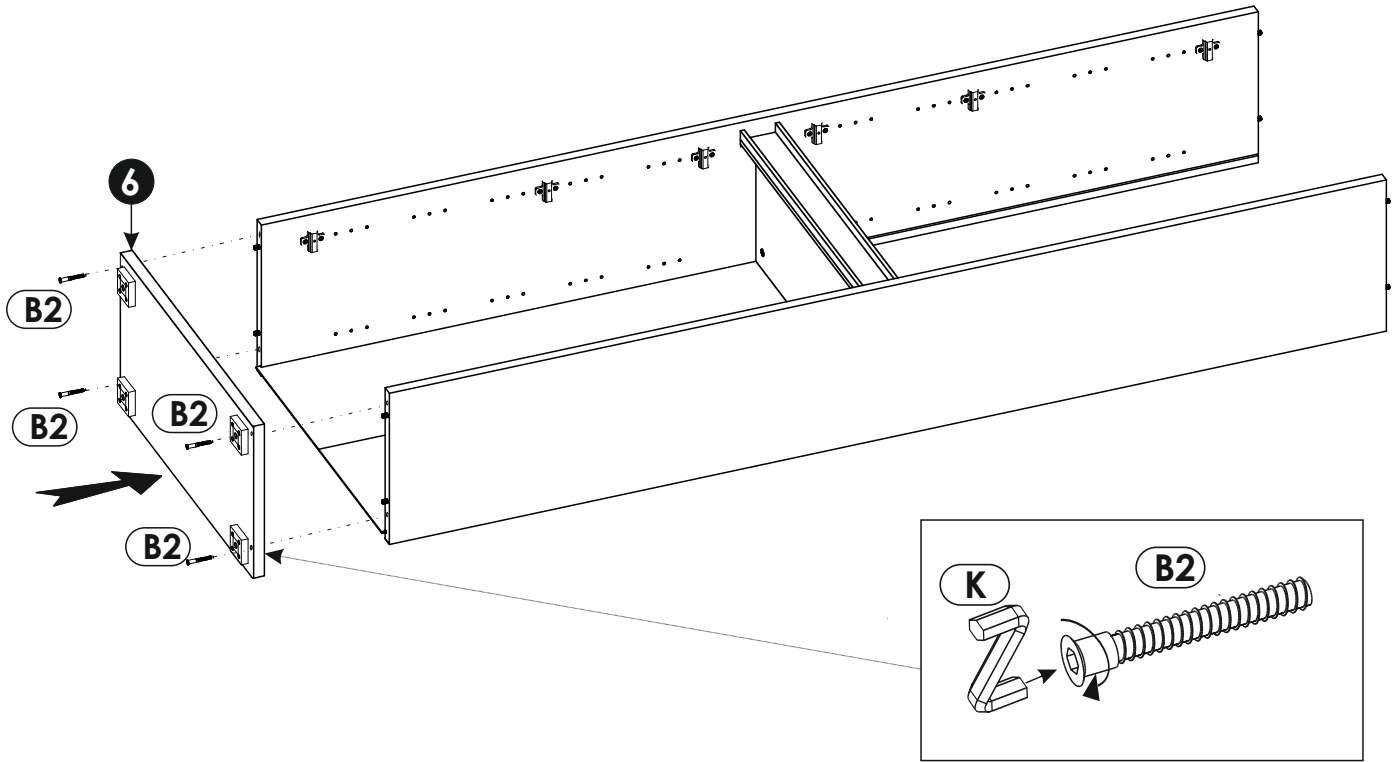
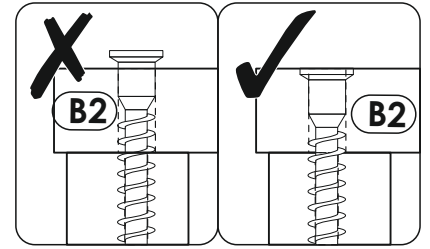
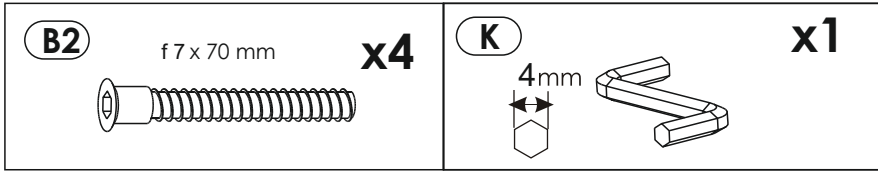
7 ▶



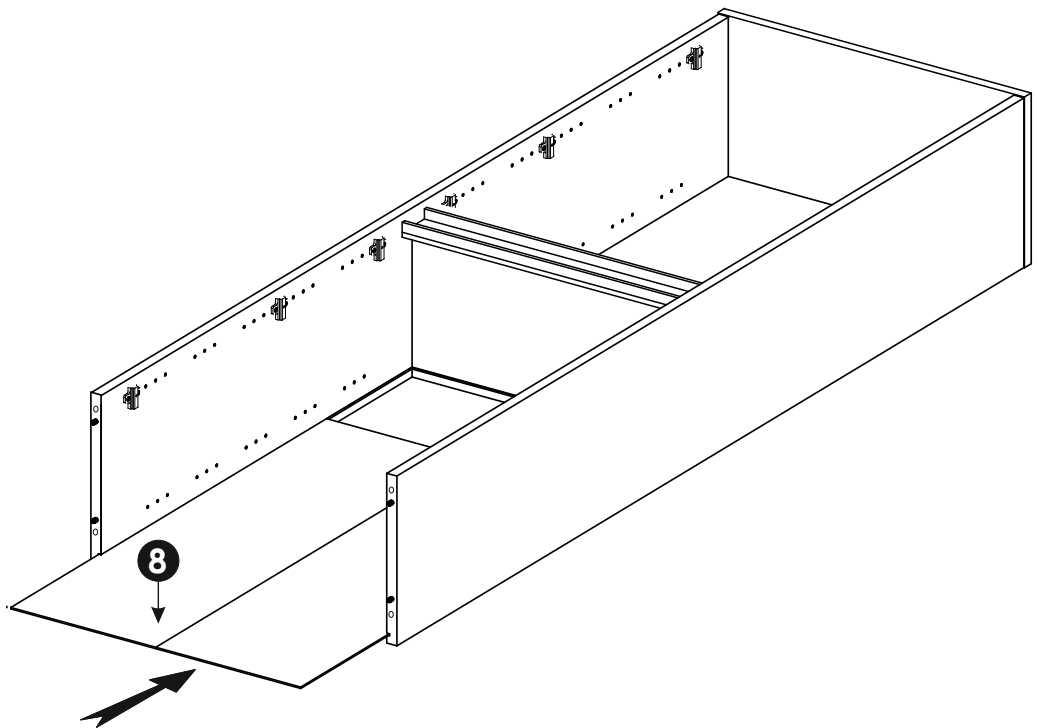
8 ▶



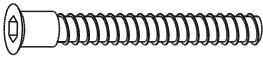

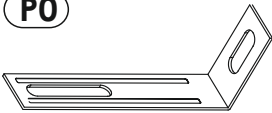
9 ▶

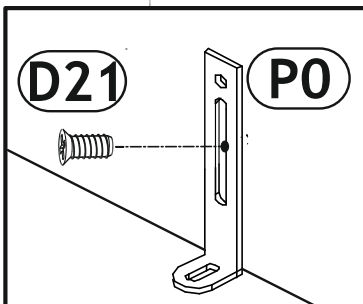
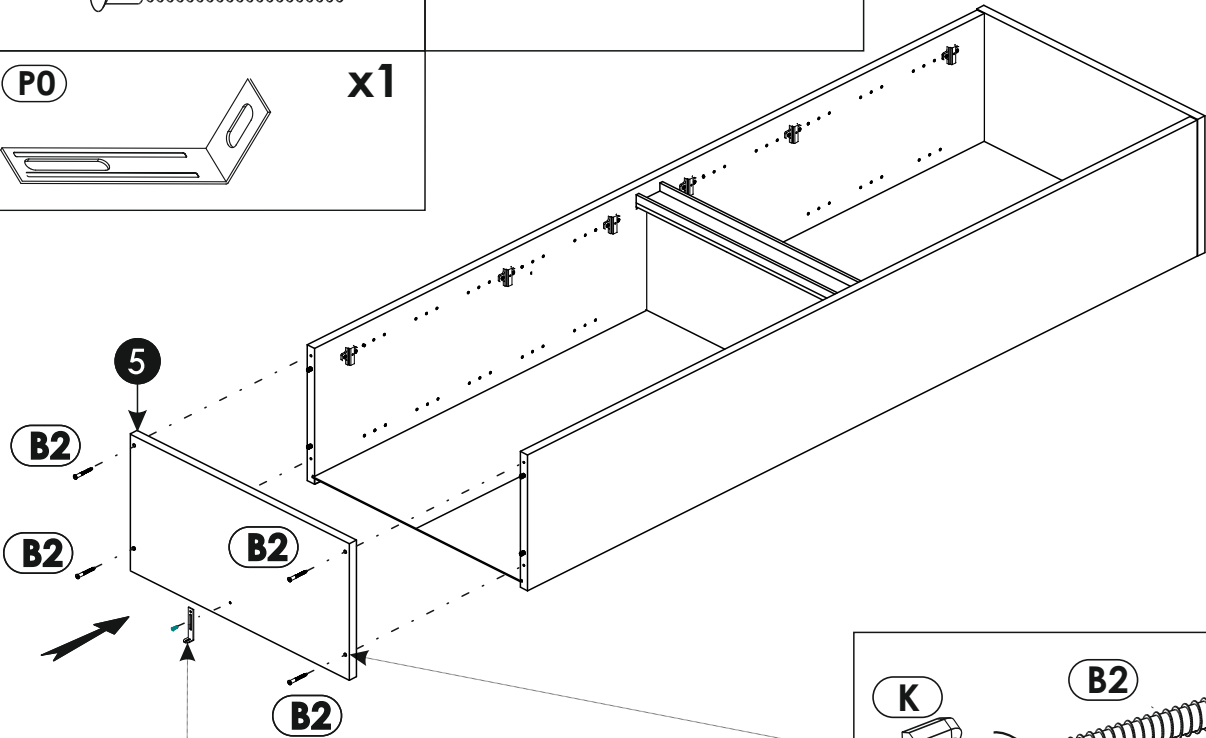


10 ▶


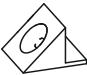


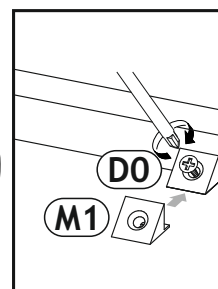
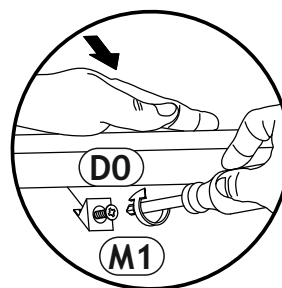
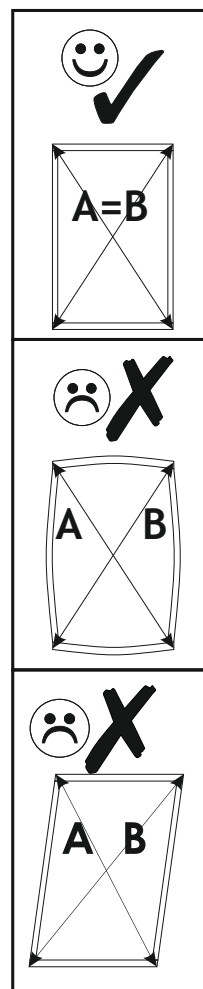
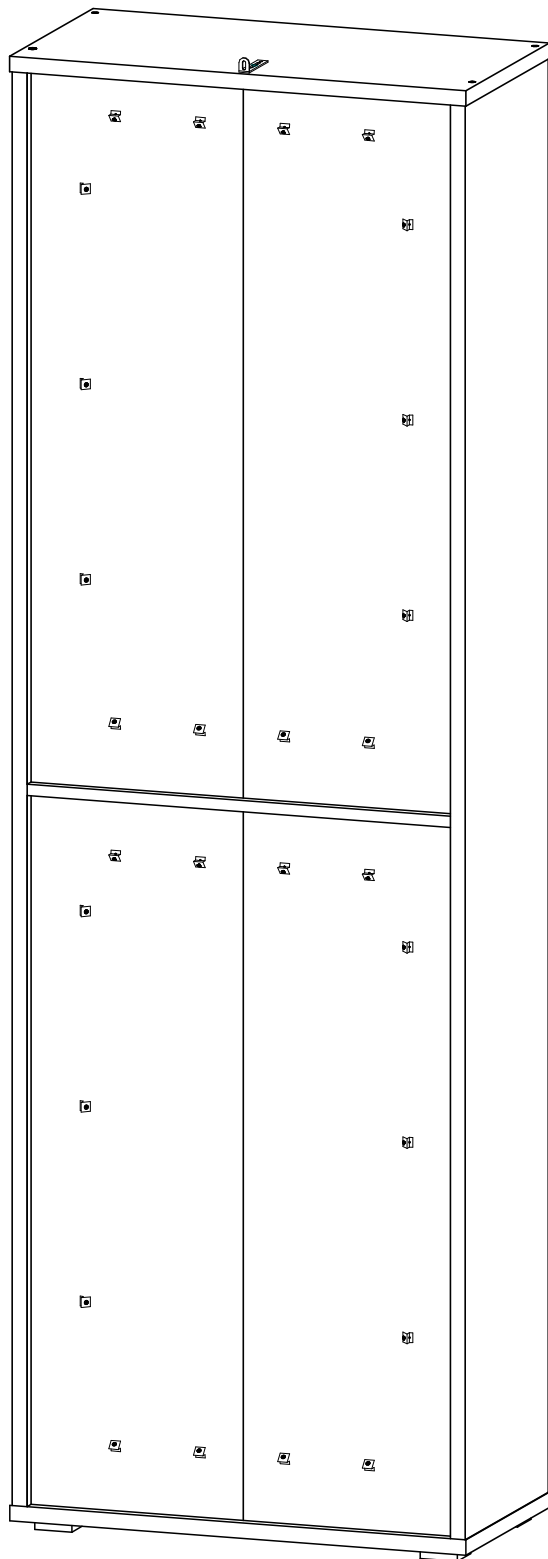
11 ▶

B2 f 7 x 70 mm x4 	D21 5 x 13 mm x1 
P0 x1 	

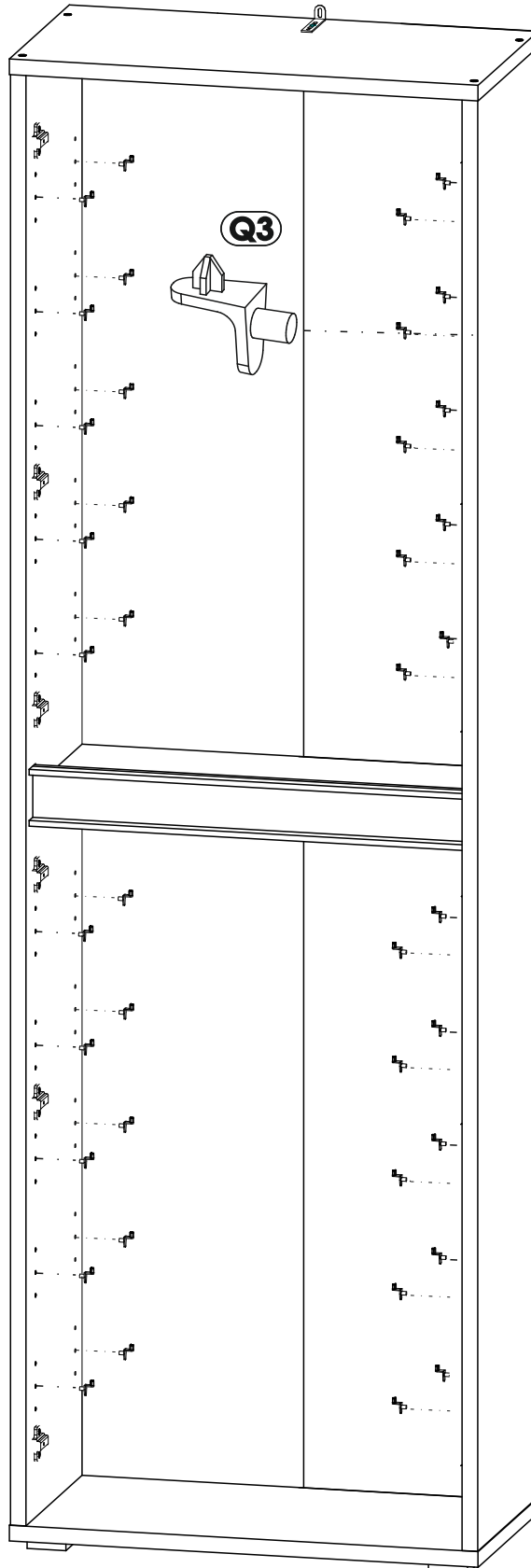
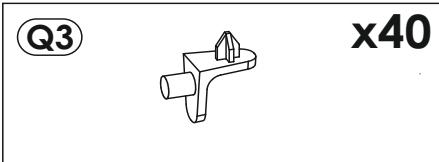


12 ▶

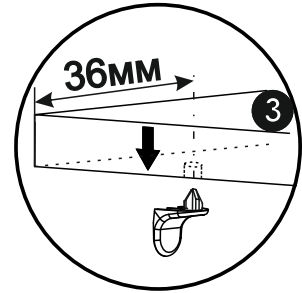
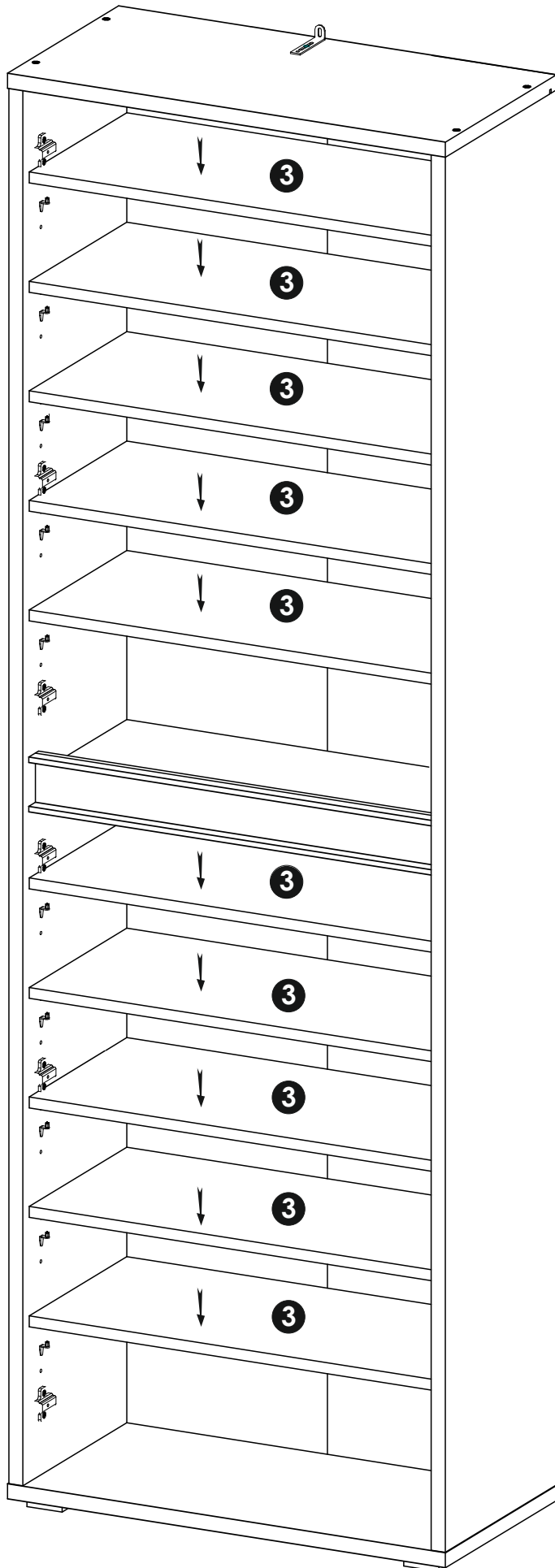
D0	3 x 15 mm	x28	M1		x28
					

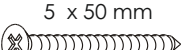
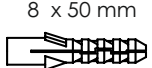



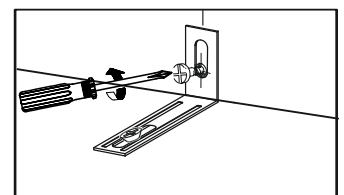
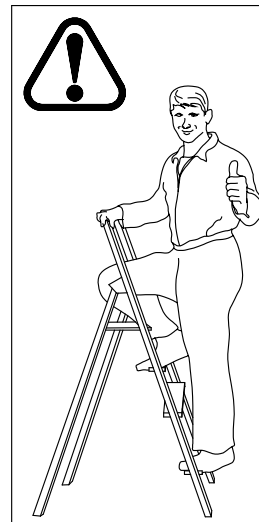
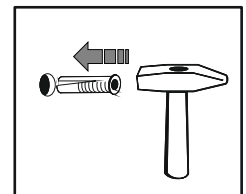
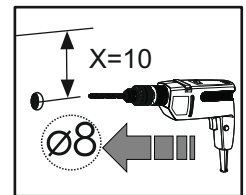
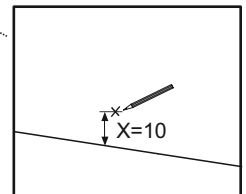
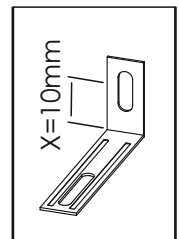
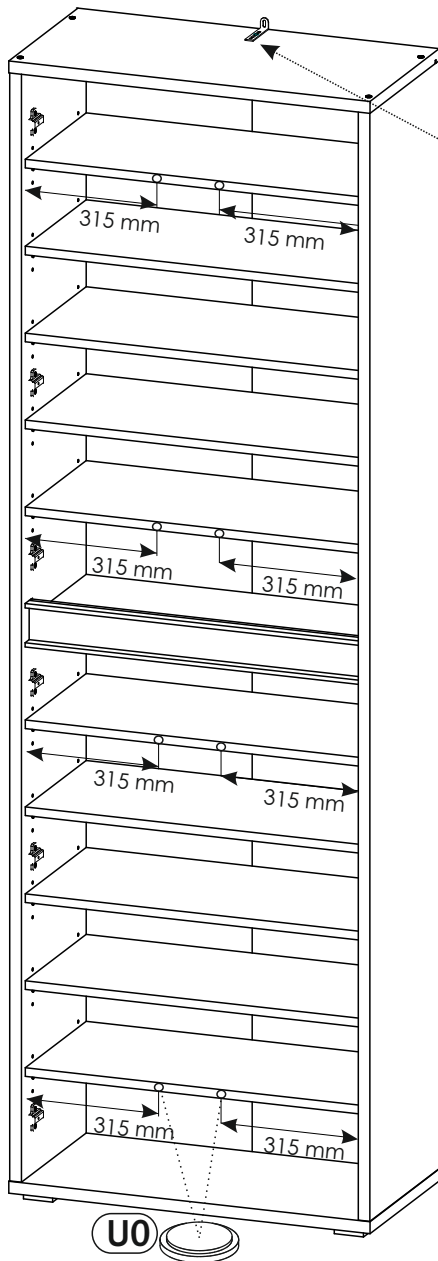
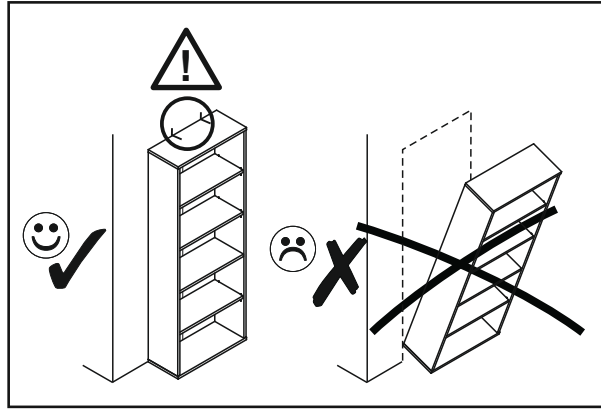
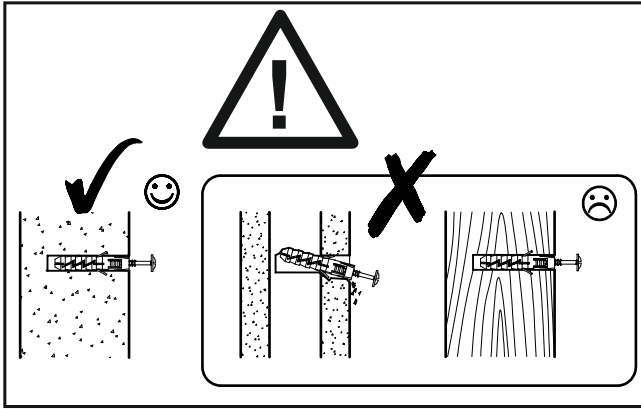
13 ▶

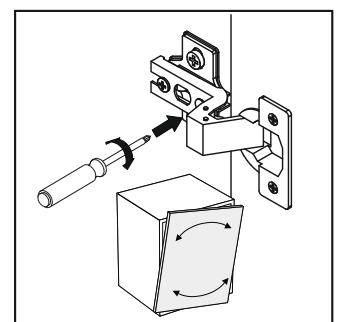
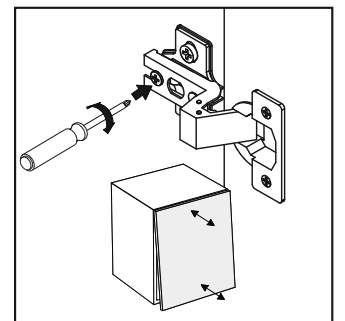
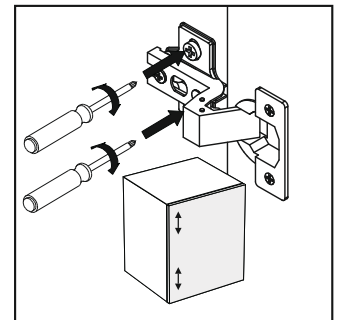
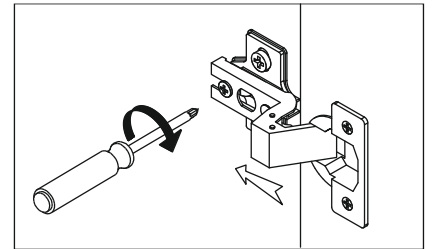
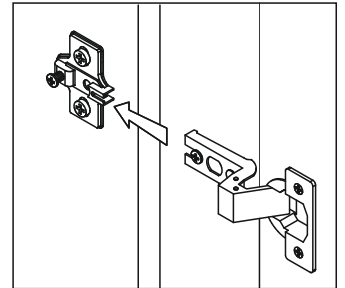
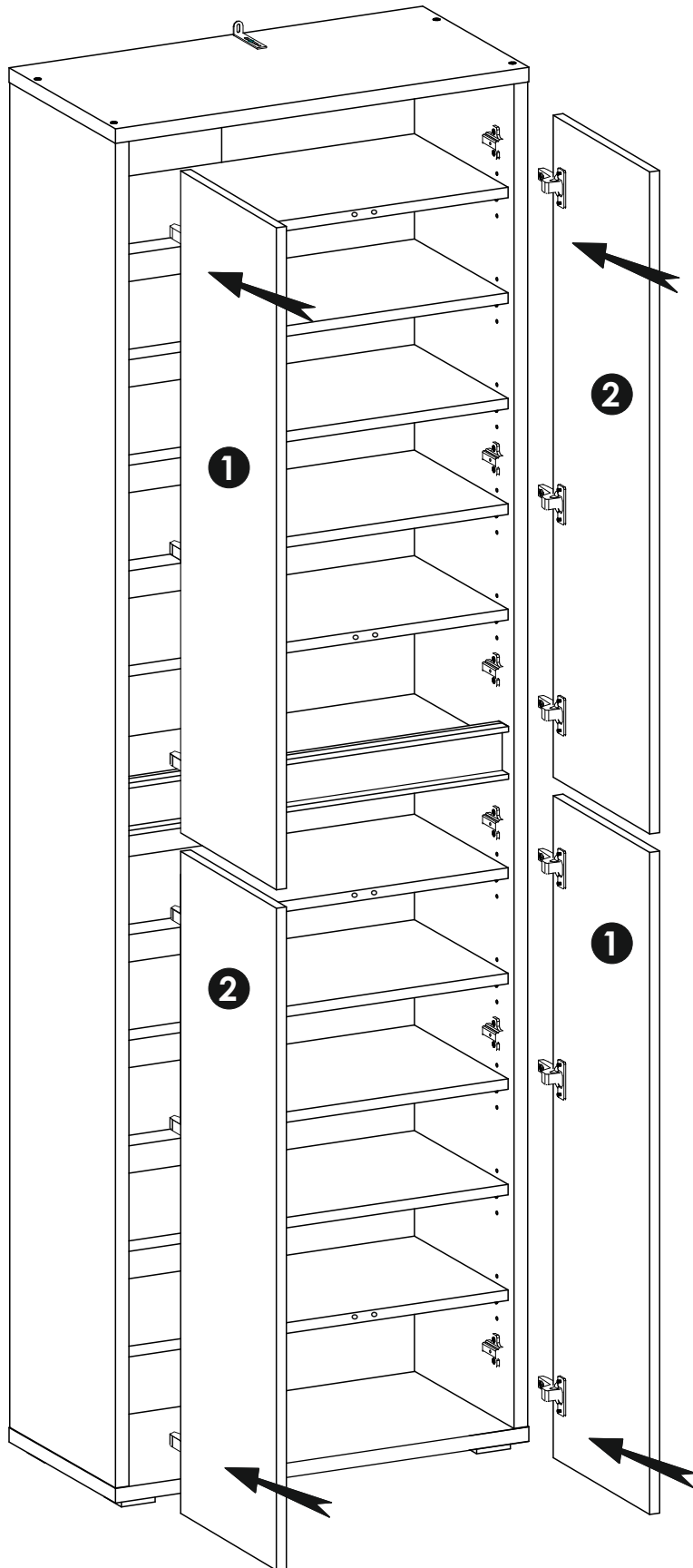


14 ▶



E0	 5 x 50 mm  8 x 50 mm	x1	U0		x8
-----------	--	-----------	-----------	---	-----------





17

