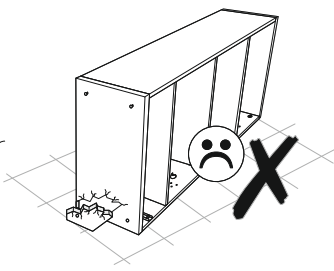
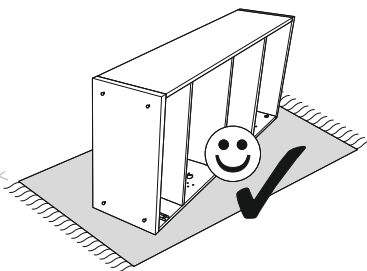
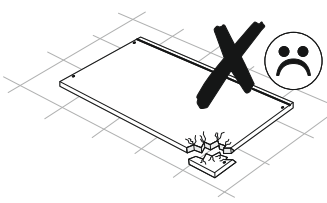
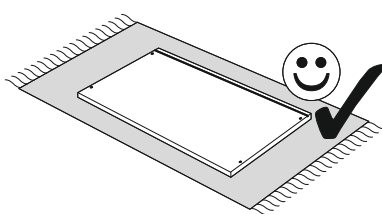
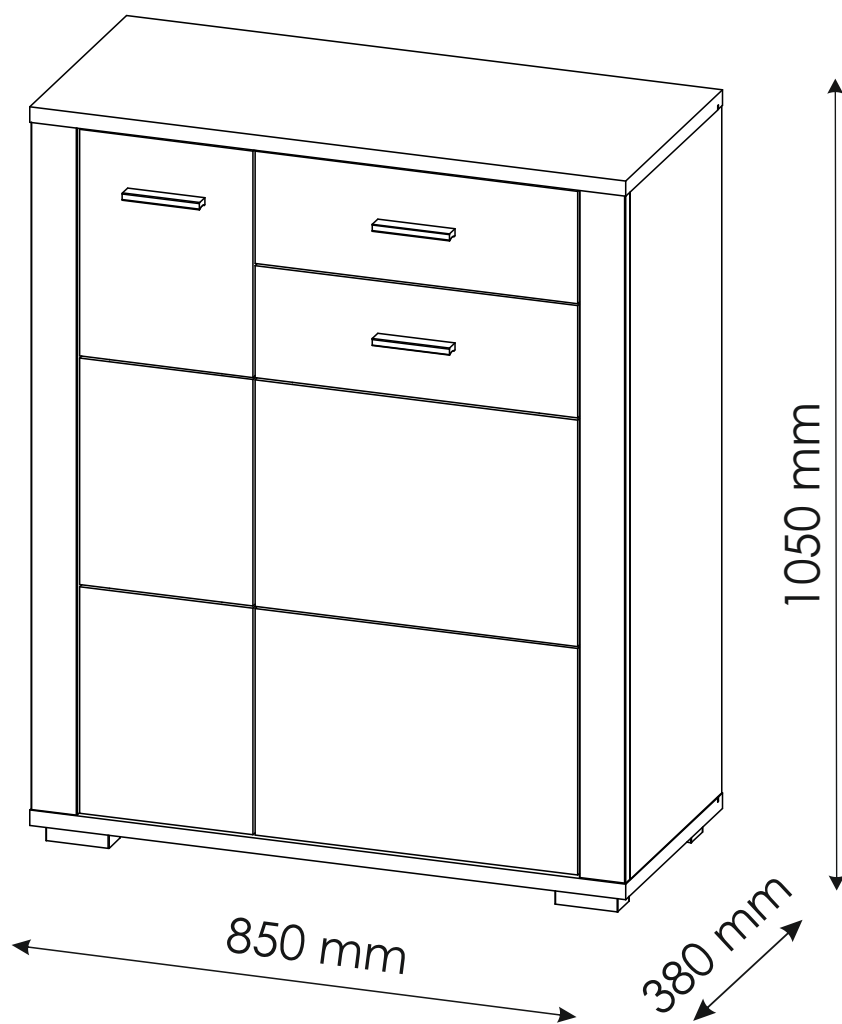
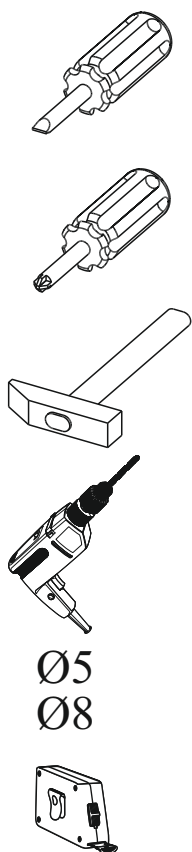
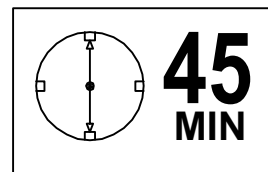
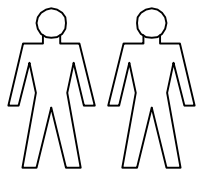
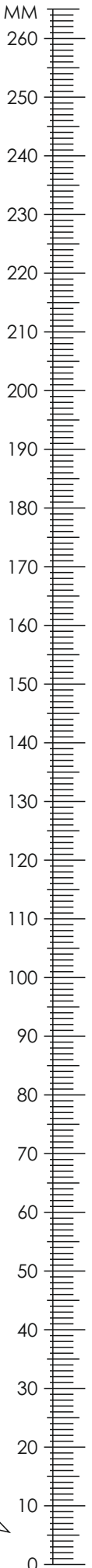
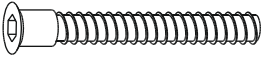
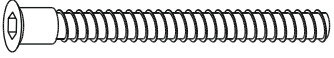
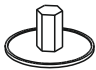

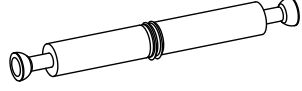






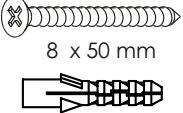
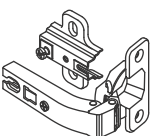
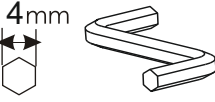


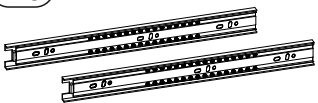
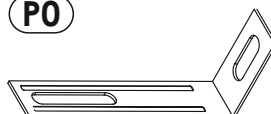
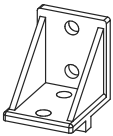
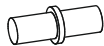


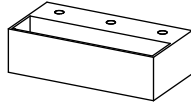


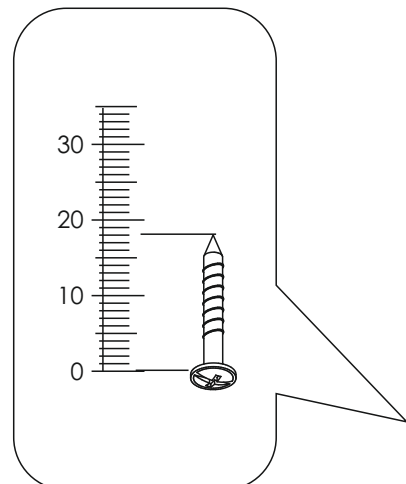
# MAXIM- SCHUHSCHRANK 2T1L



# MAXIM- SCHUHSCHRANK 2T1L




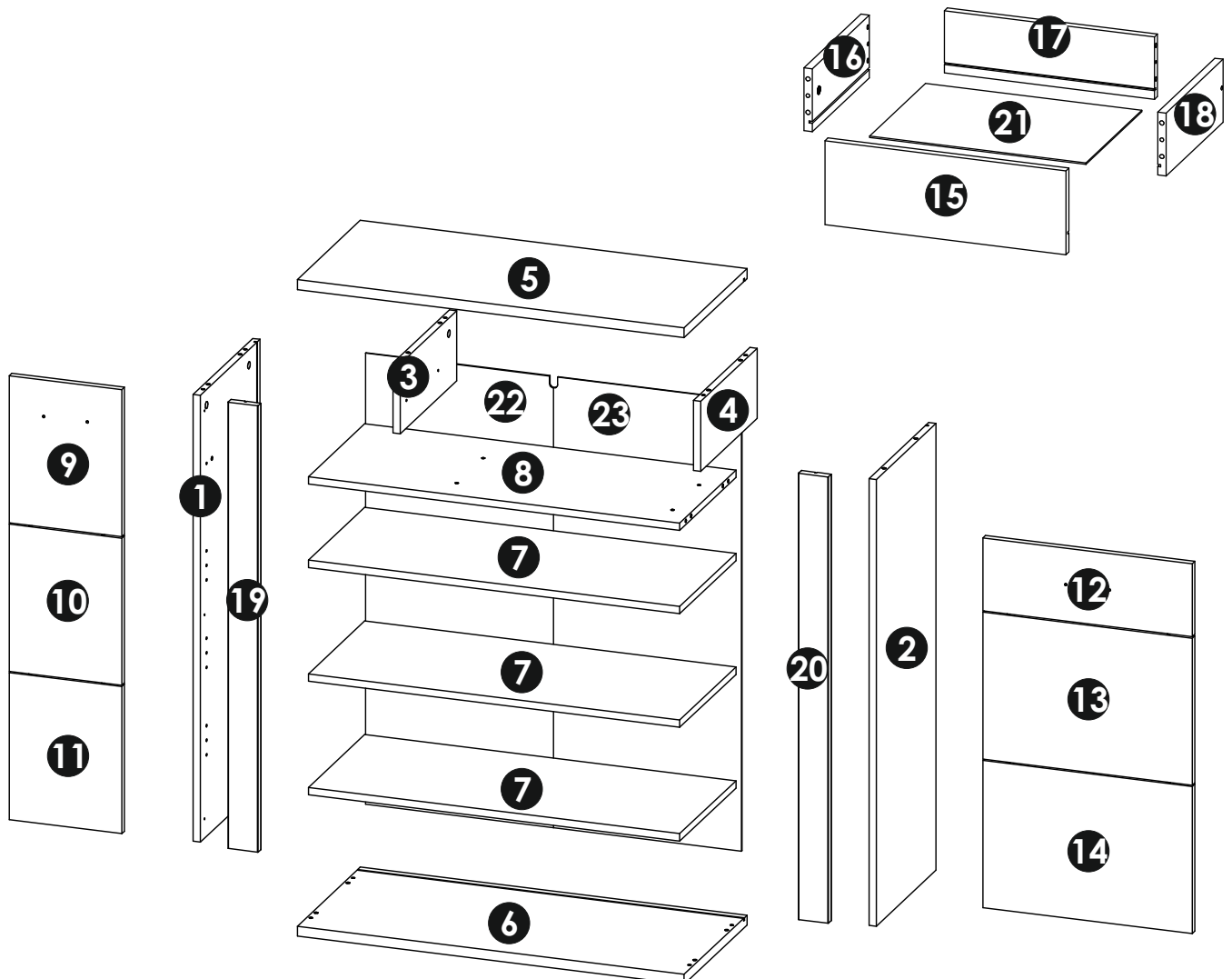
<b>B1</b> f 7 x 50 mm <b>x6</b> 	<b>B2</b> f 7 x 70 mm <b>x4</b> 	<b>C0</b> <b>x20</b> 
<b>C2</b> <b>x12</b> 	<b>C5</b> <b>x8</b> 	<b>D0</b> 3 x 15 mm <b>x16</b> 
<b>D10</b> 4 x 16 mm <b>x8</b> 	<b>D14</b> 4 x 35 mm <b>x12</b> 	<b>D4</b> 3,5 x 18 mm <b>x24</b> 
<b>D21</b> 5 x 13 mm <b>x13</b> 	<b>D16</b> 4 x 30 mm <b>x6</b> 	<b>E0</b> 5 x 50 mm 8 x 50 mm <b>x1</b> 
<b>J36</b> <b>x4</b> 	<b>K</b> 4mm <b>x1</b> 	<b>L7</b> L-110 <b>x3</b> 
<b>M1</b> <b>x16</b> 	<b>N6</b> L-300 <b>x1</b> 	<b>P0</b> <b>x1</b> 
<b>P27</b> <b>x6</b> 	<b>Q0</b> <b>x12</b> 	<b>U0</b> <b>x4</b> 
<b>U10</b> 14x8x3 <b>x8</b> 	<b>T2</b> <b>x4</b> 	

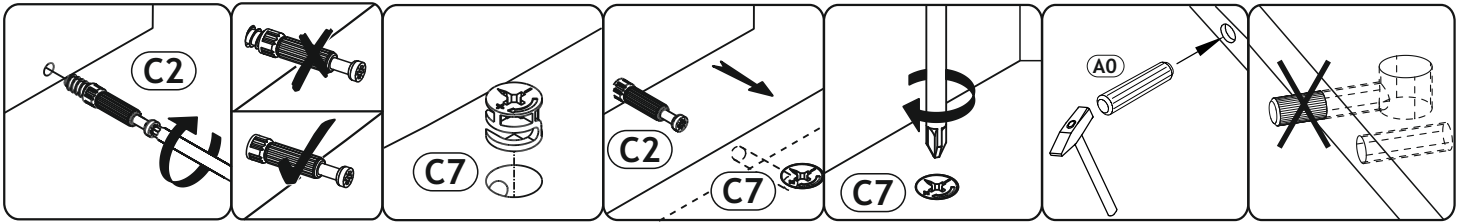


# MAXIM- SCHUHSCHRANK 2T1L

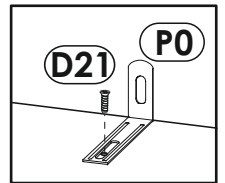
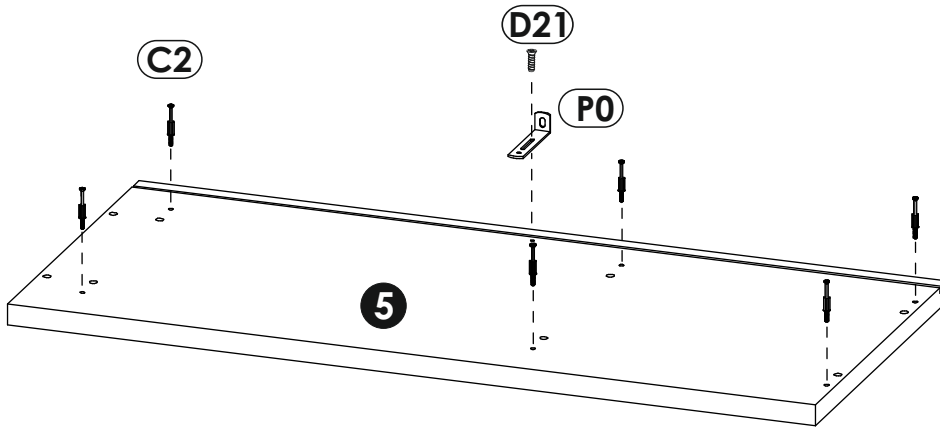
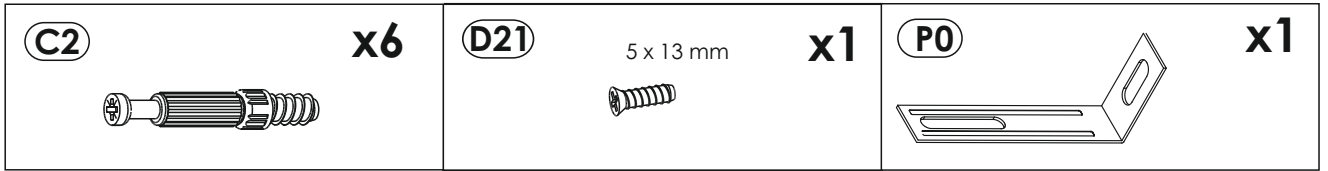
1	981	360	16	1	2/2
2	981	360	16	1	2/2
3	154	340	16	1	2/2
4	154	340	16	1	2/2
5	850	380	22	1	1/2
6	850	380	22	1	1/2
7	816	340	16	3	1/2
8	816	340	16	1	1/2
9	247	323	16	1	2/2
10	247	323	16	1	2/2
11	247	323	16	1	2/2
12	460	160	16	1	2/2

13	460	323	16	1	2/2
14	460	323	16	1	2/2
15	460	160	16	1	2/2
16	300	120	16	1	2/2
17	401	119	16	1	2/2
18	300	120	16	1	2/2
19	980	66	16	1	2/2
20	980	66	16	1	2/2
21	413	294	3	1	2/2
22	991	413	3	1	2/2
23	991	413	3	1	2/2
24					2/2

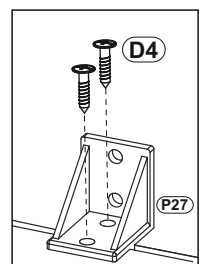
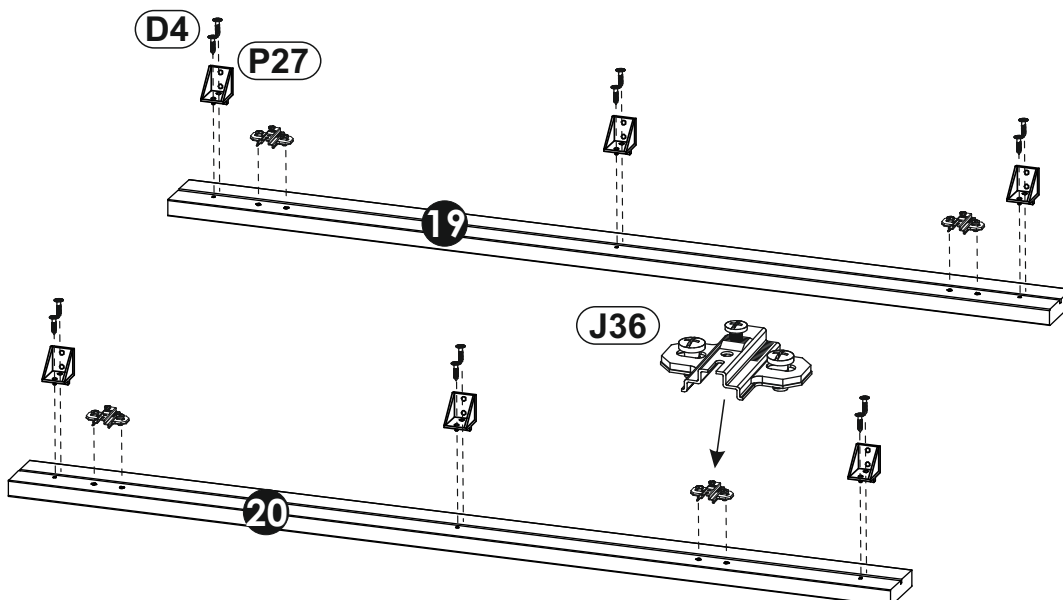
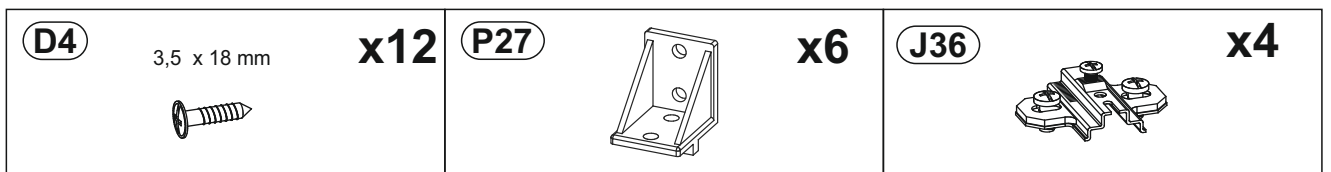




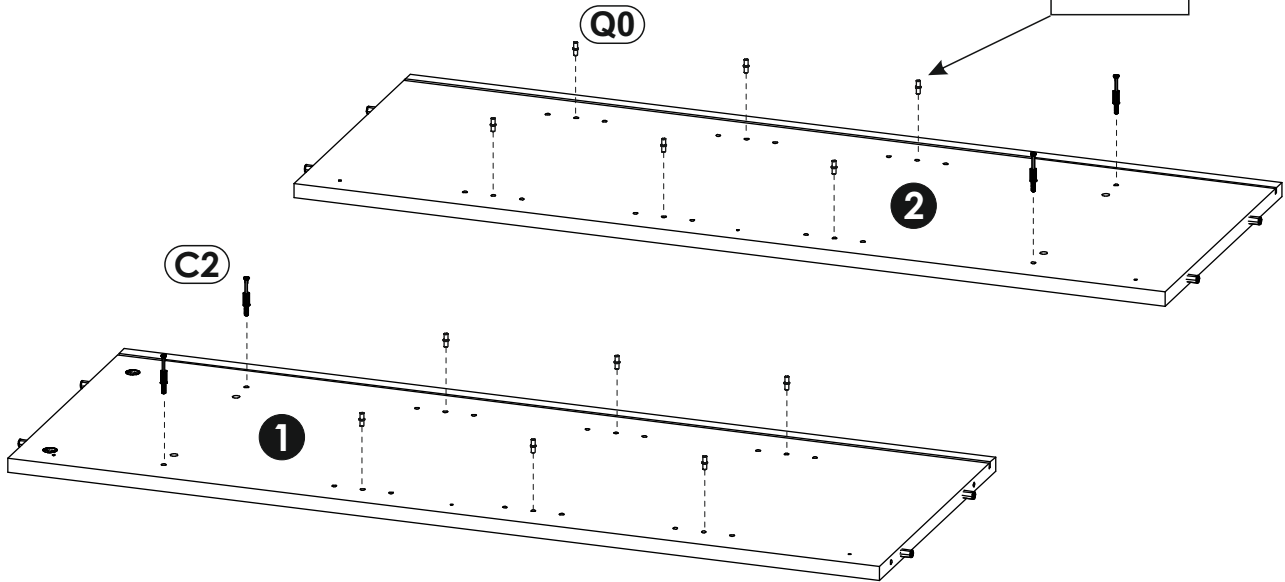
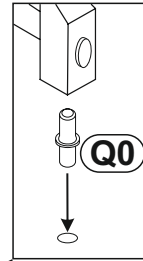
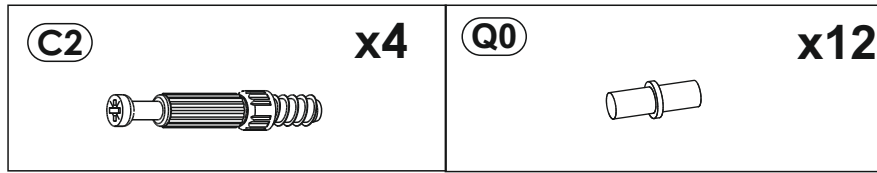
1 ▶



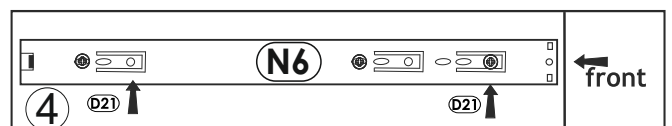
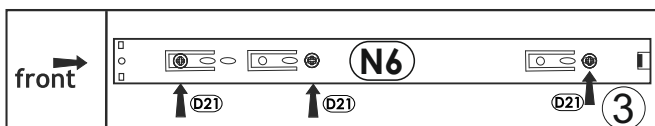
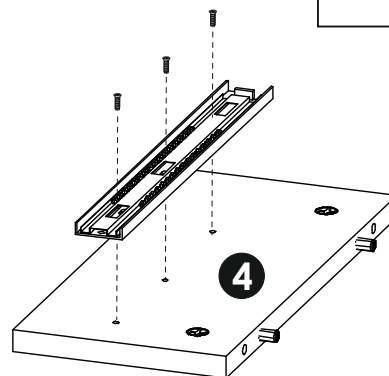
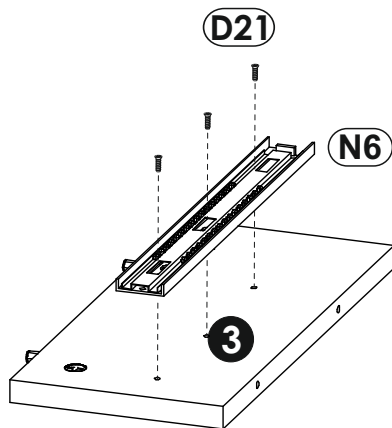
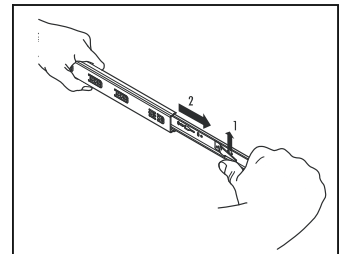
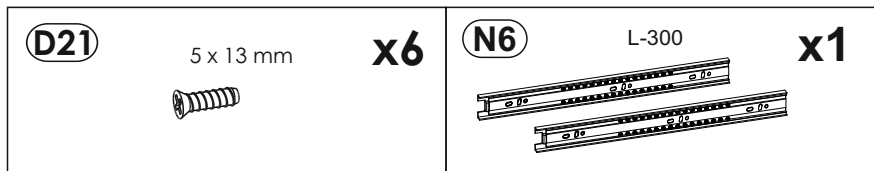
2 ▶









3 ▶

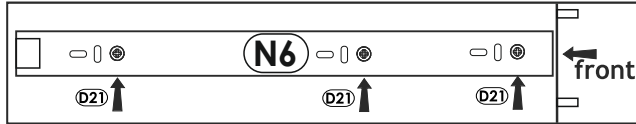


4 ▶

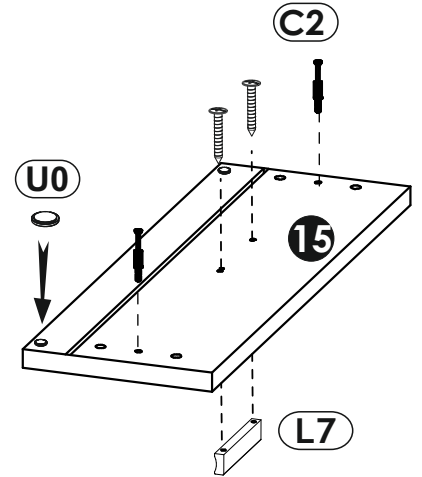
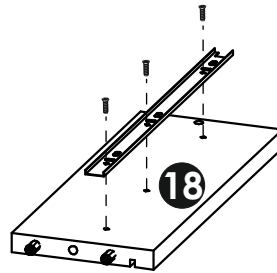
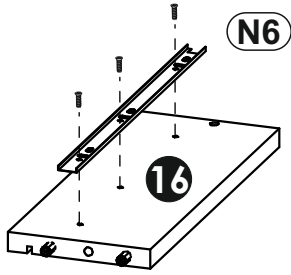


5 ▶

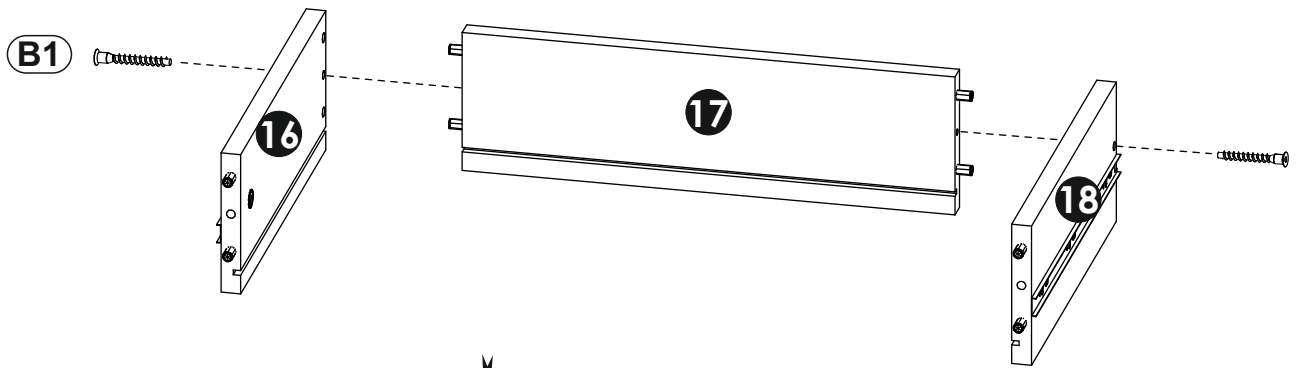
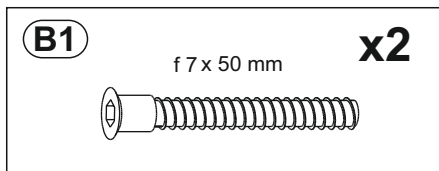
<b>C2</b>  x2	<b>D21</b> 5 x 13 mm  x6	<b>N6</b> L-300  x1
<b>U0</b>  x2	<b>D16</b> 4 x 30 mm  x2	<b>L7</b> L-110  x1



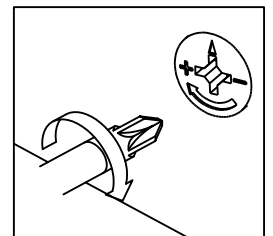
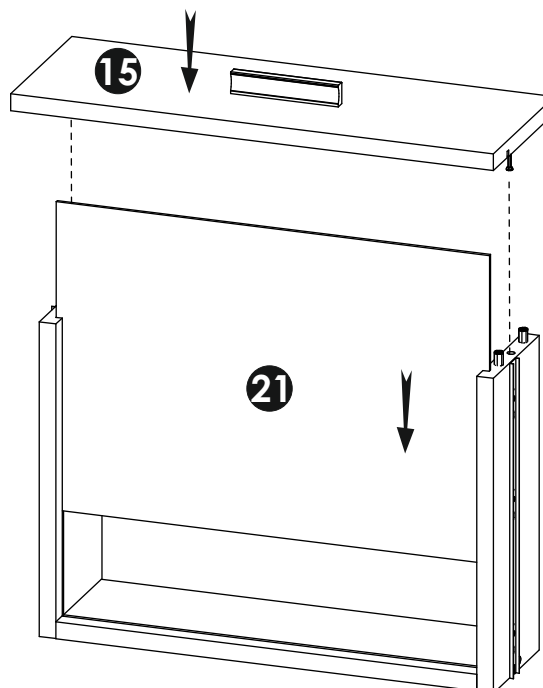
**D21**



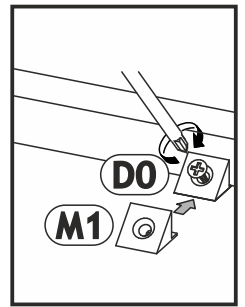
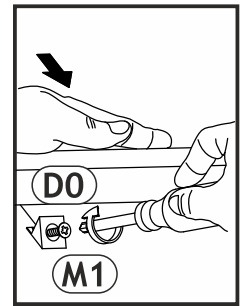
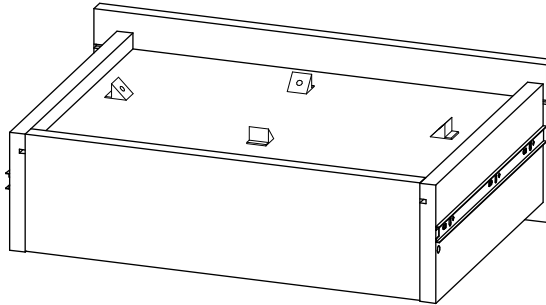
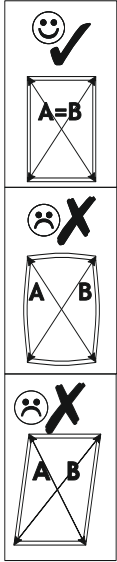
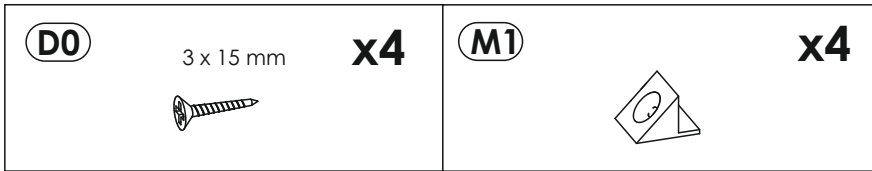
6 ▶



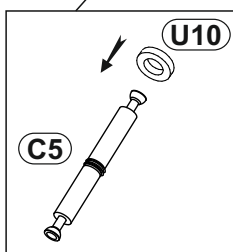
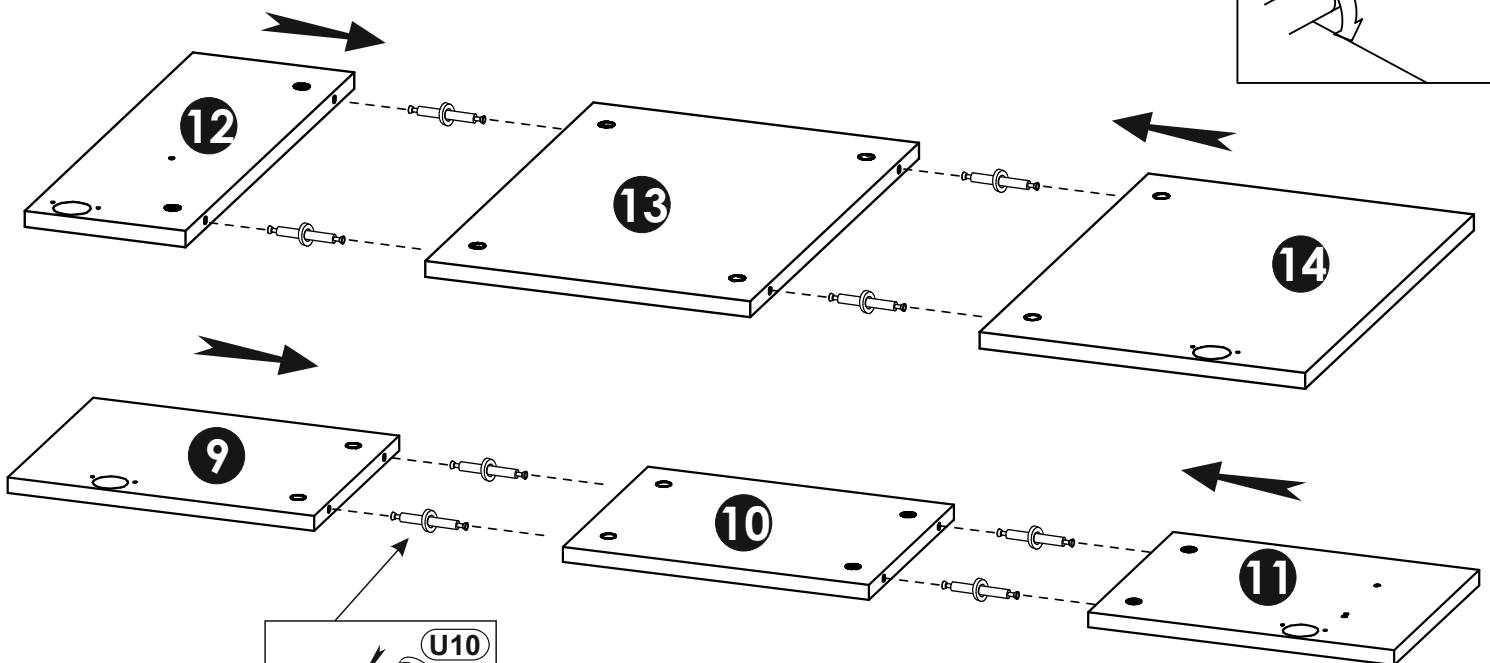
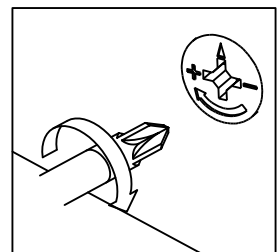
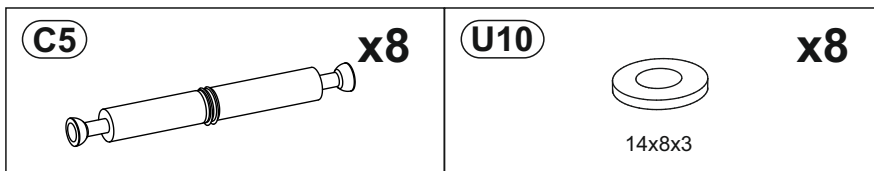
7 ▶




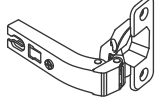

8 ▶

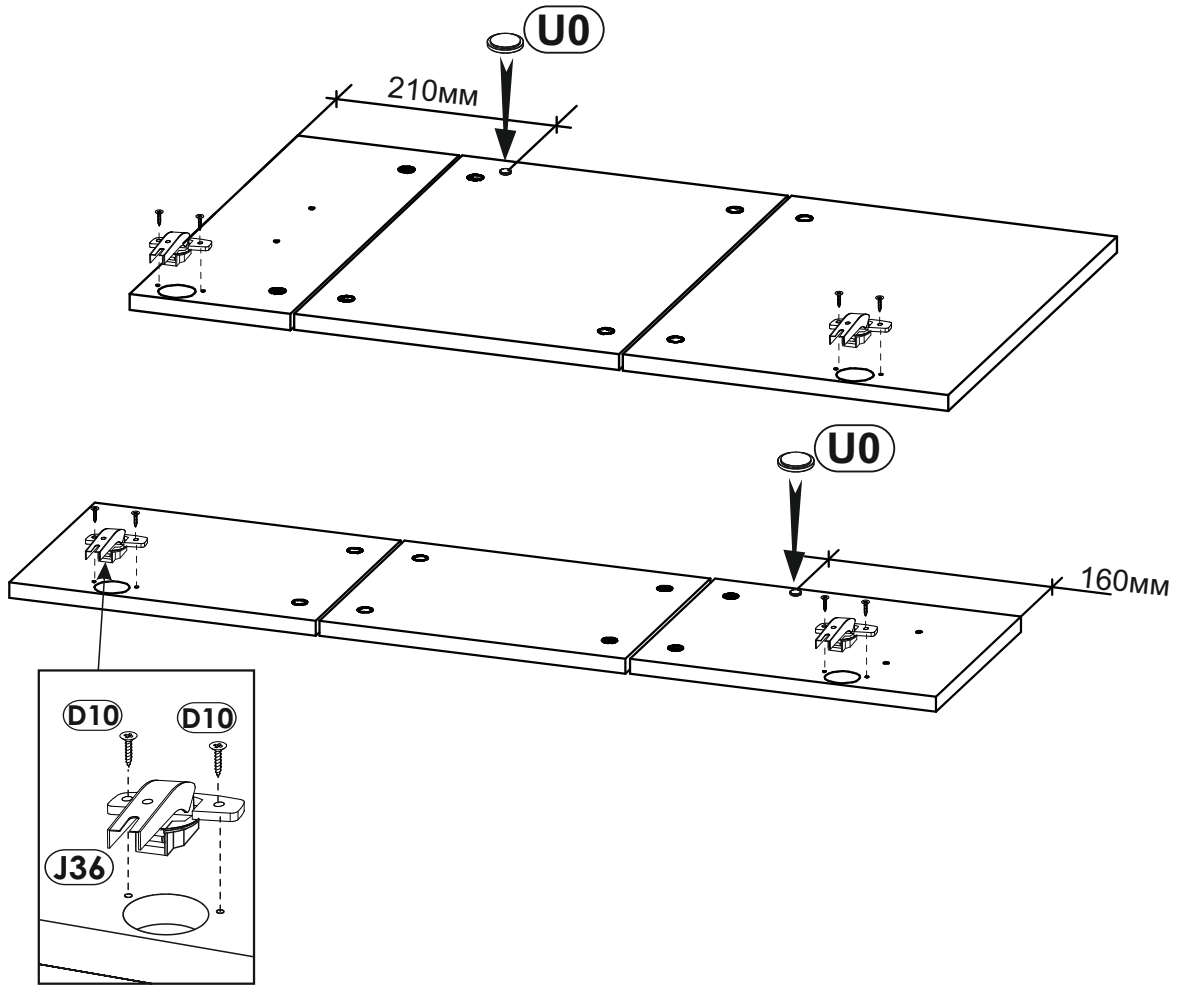


9 ▶

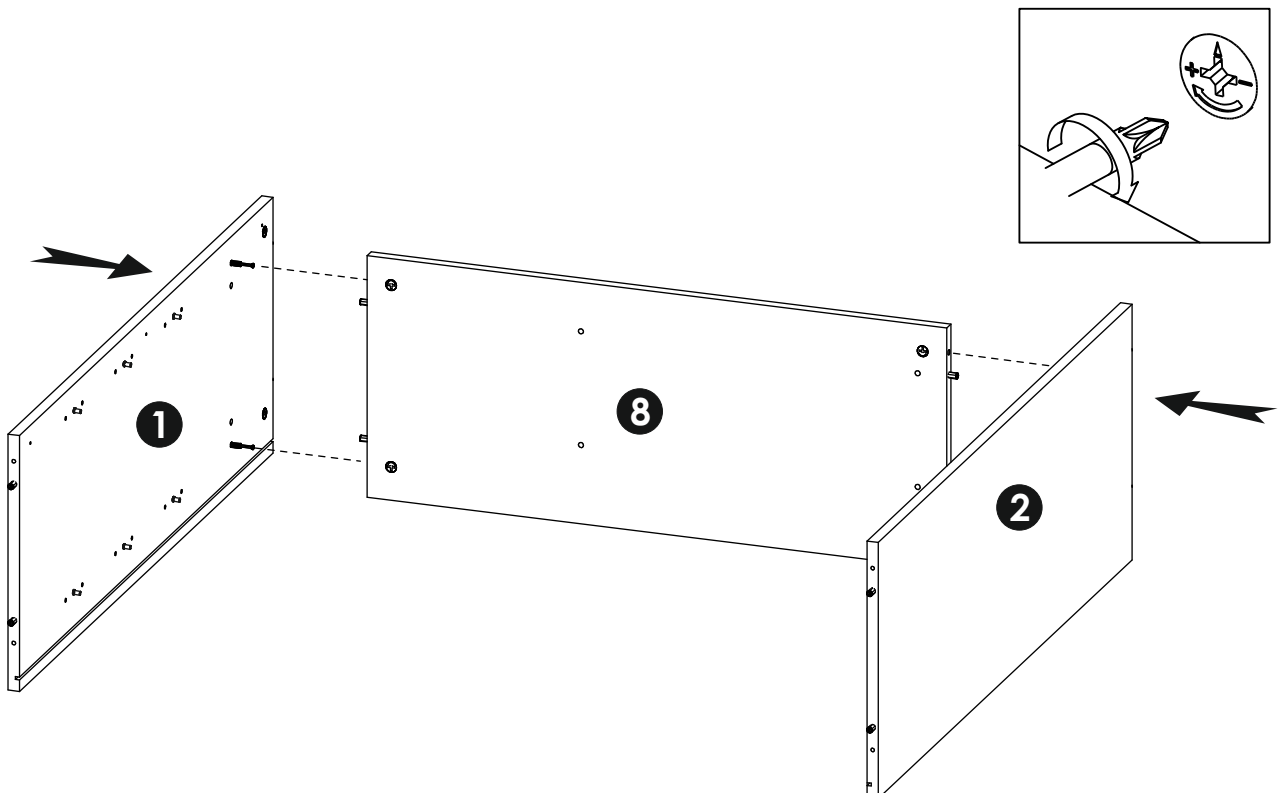


10 ▶

<b>D10</b> 4 x 16 mm 	<b>x8</b>	<b>J36</b> 	<b>x4</b>	<b>U0</b> 	<b>x2</b>
--------------------------------------------------------------------------------------------------------------	-----------	-------------------------------------------------------------------------------------------------	-----------	--------------------------------------------------------------------------------------------------	-----------


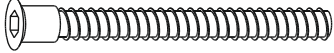

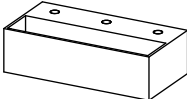


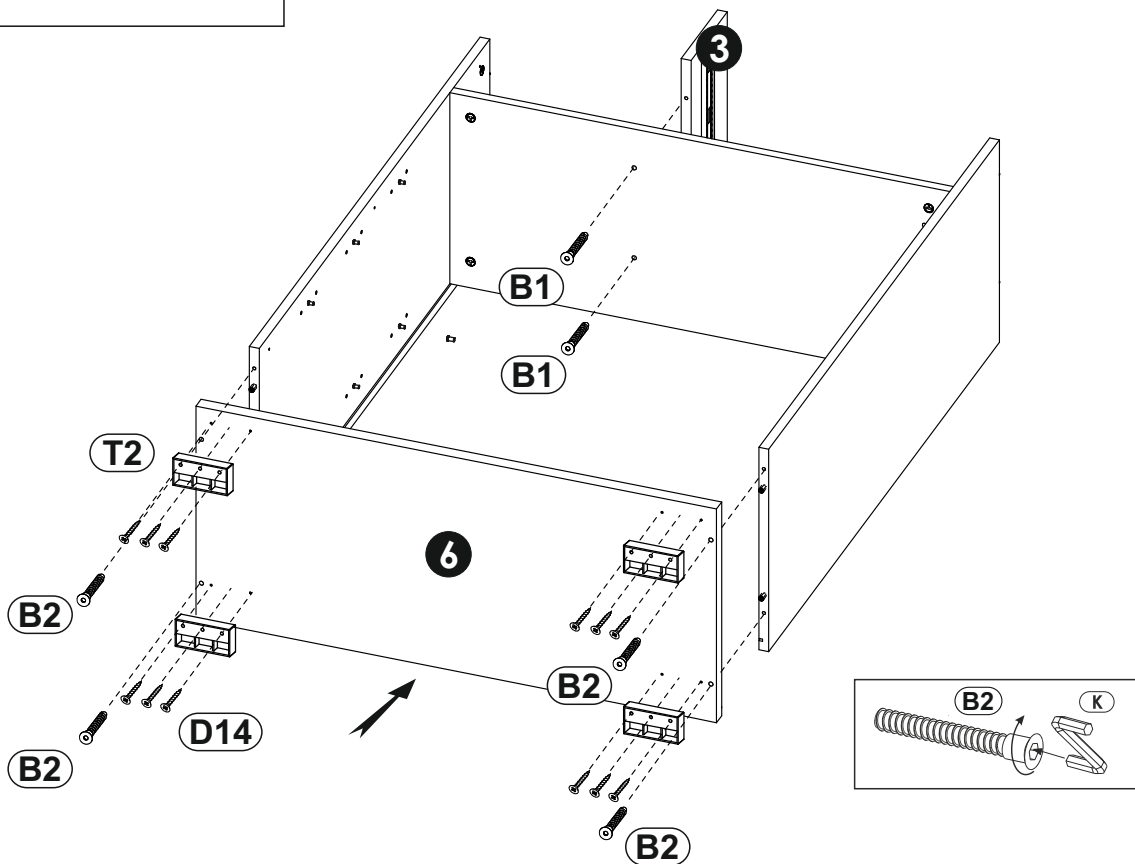
11 ▶



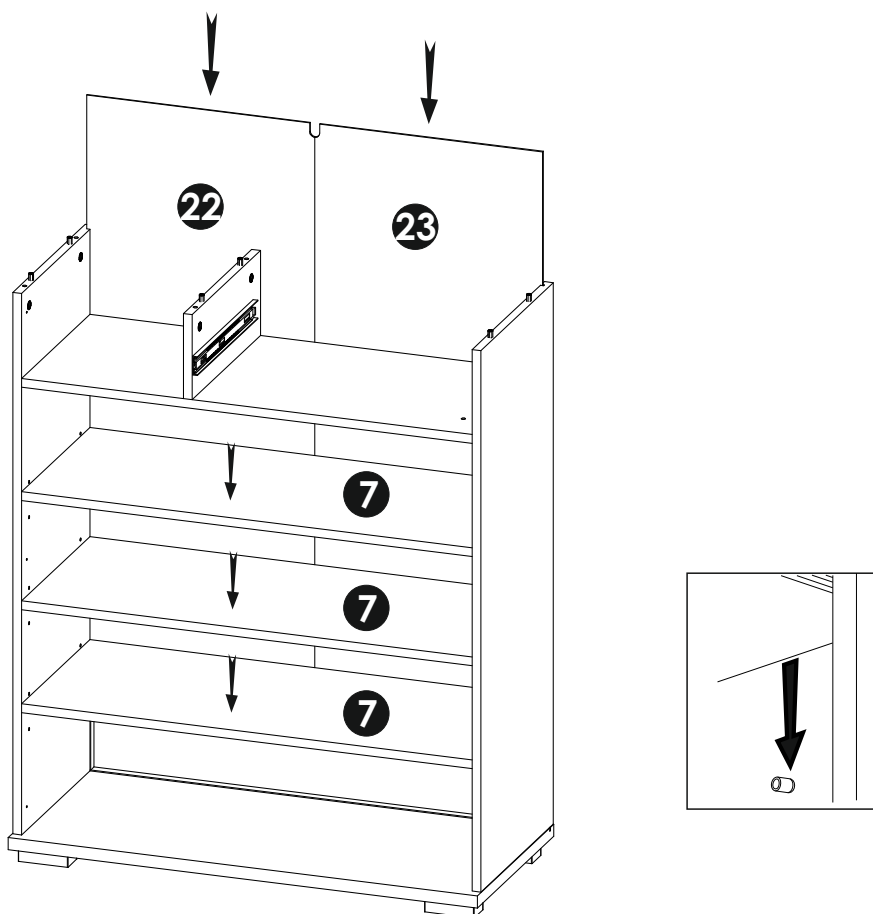


8 ▶

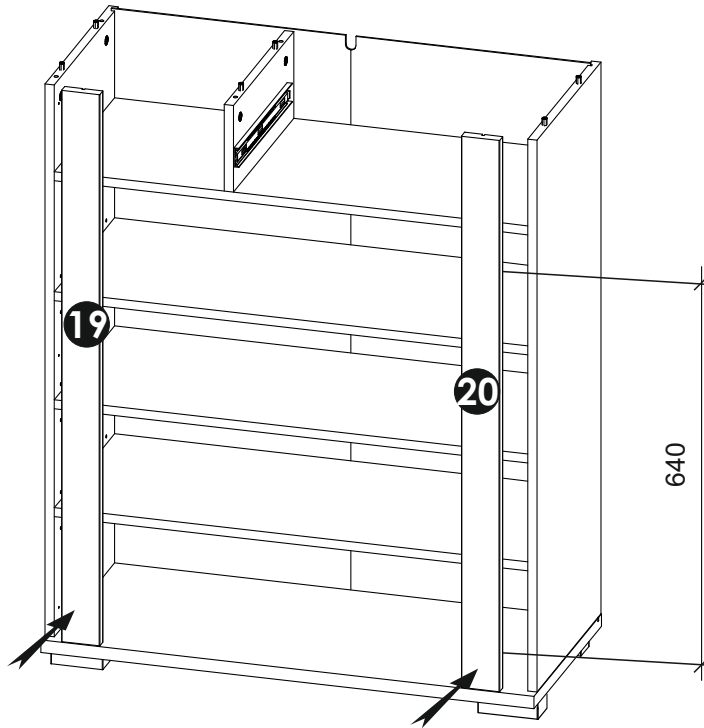
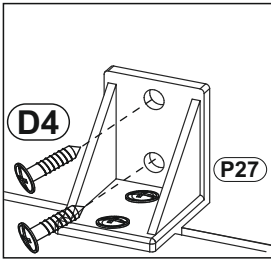
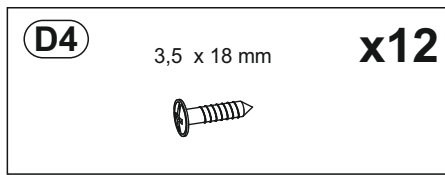
<b>(B1)</b> f 7 x 50 mm  <b>x2</b>	<b>(B2)</b> f 7 x 70 mm  <b>x4</b>	<b>(D14)</b> 4 x 35 mm  <b>x12</b>
<b>(T2)</b>  <b>x4</b>		



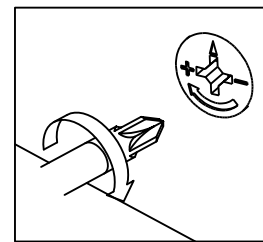
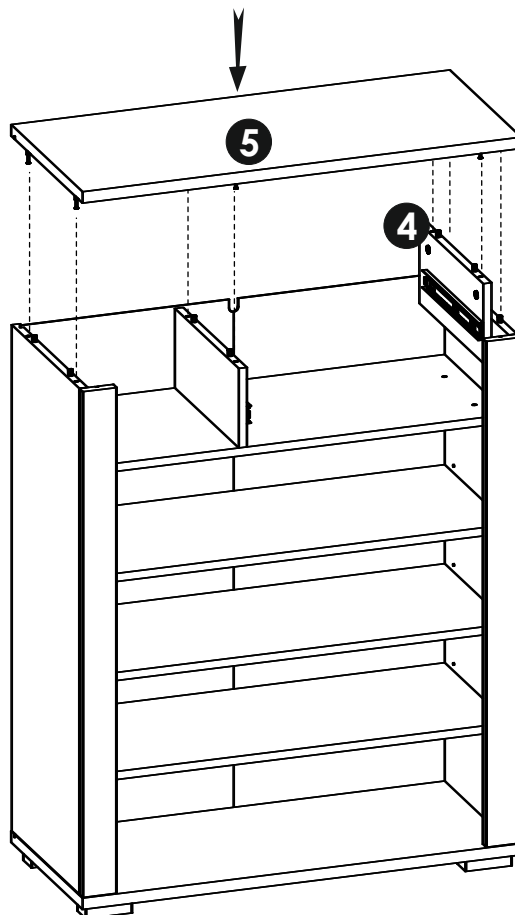
9 ▶




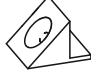
10 ▶



11 ▶



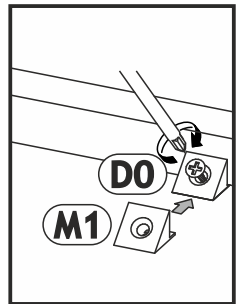
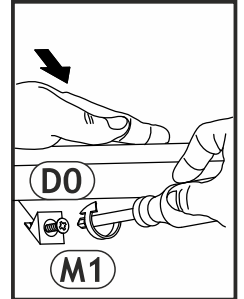
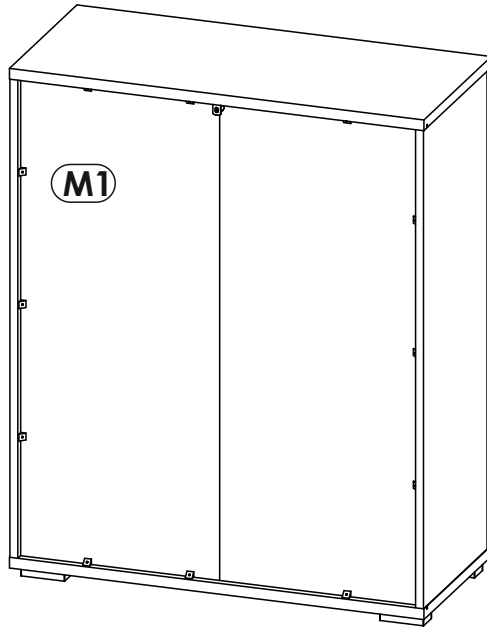
# 12 ▶

<b>(D0)</b> 3 x 15 mm  <b>x12</b>	<b>(M1)</b>  <b>x12</b>
-----------------------------------------------------------------------------------------------------------------------------	----------------------------------------------------------------------------------------------------------------

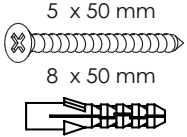
☺ ✓  
A=B

☹ ✗  
A B

☹ ✗  
A B

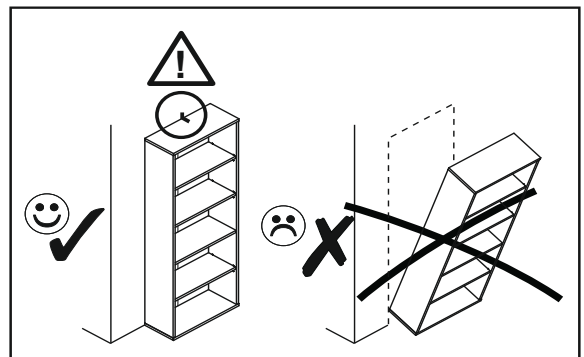
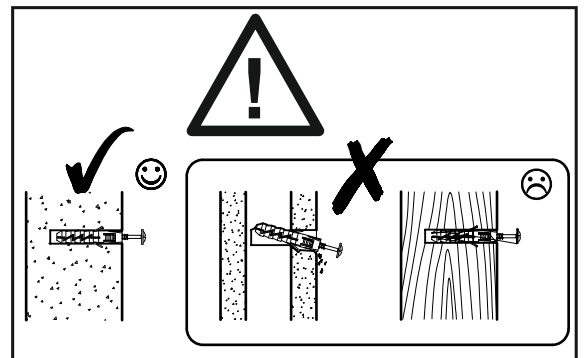
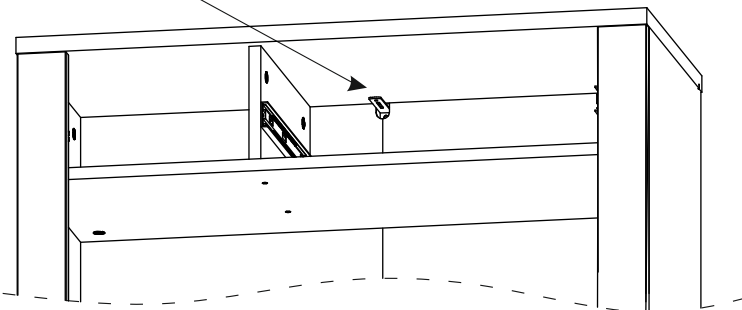


# 16 ▶



<b>(E0)</b> 5 x 50 mm 8 x 50 mm  <b>x1</b>
-------------------------------------------------------------------------------------------------------------------------------------------

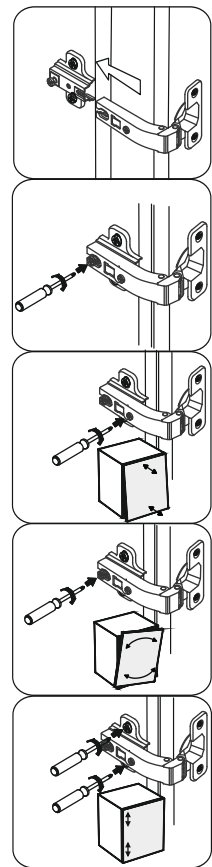
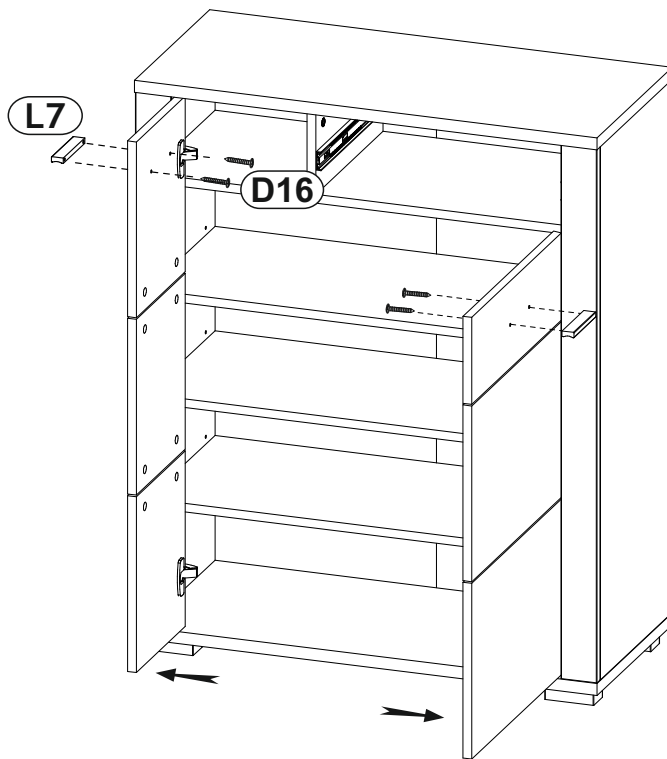
X=10

X=10

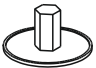


17 ▶

<b>D16</b> 4 x 30 mm 	<b>x4</b>	<b>L7</b> L-110 	<b>x2</b>
--------------------------------------------------------------------------------------------------------------	-----------	---------------------------------------------------------------------------------------------------------	-----------



18 ▶

<b>C0</b> 	<b>x20</b>
--------------------------------------------------------------------------------------------------	------------

