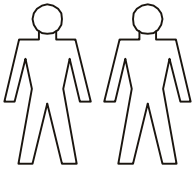


HARVEY - Buffet

 **120**
MIN

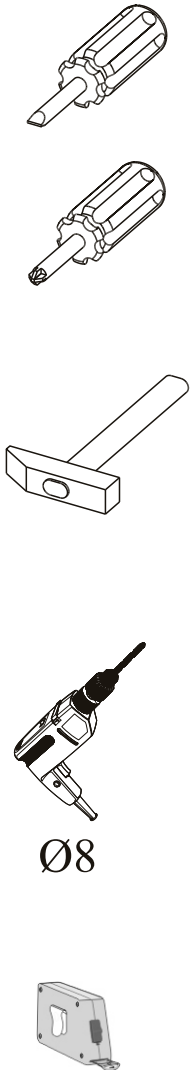


1600 mm

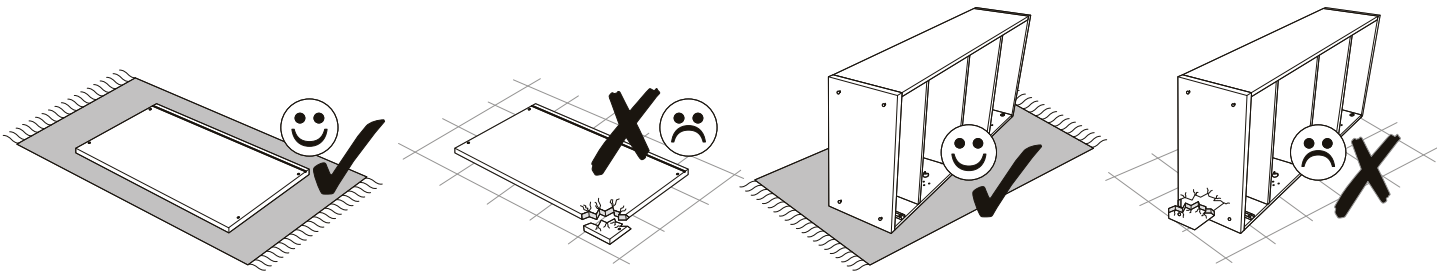


2090 mm










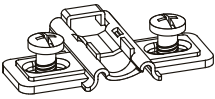
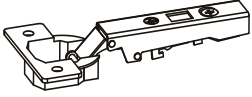
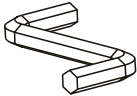


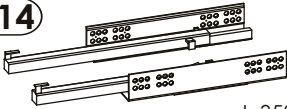
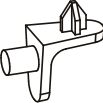



430 mm

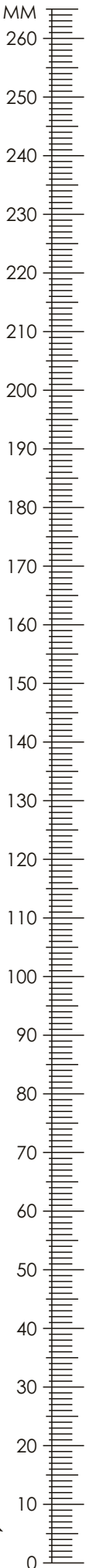
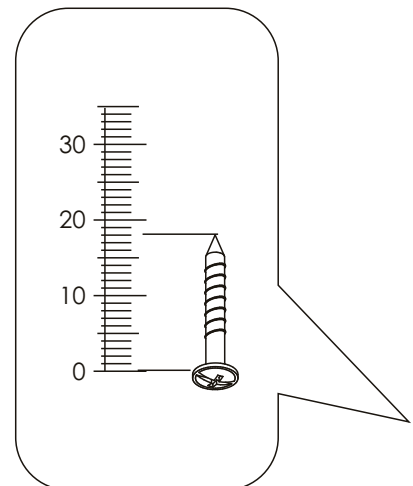
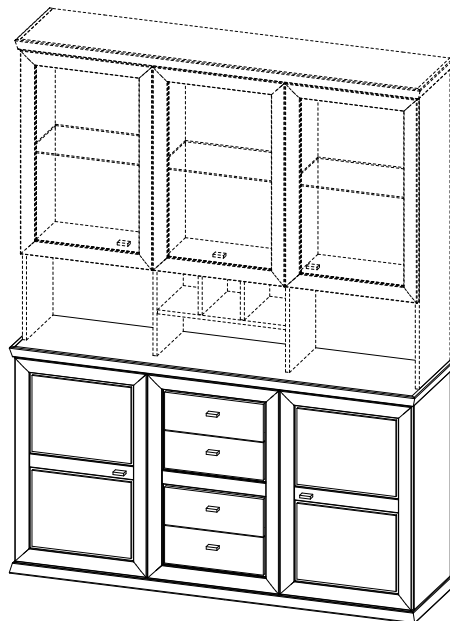


Ø8




HARVEY - Buffet

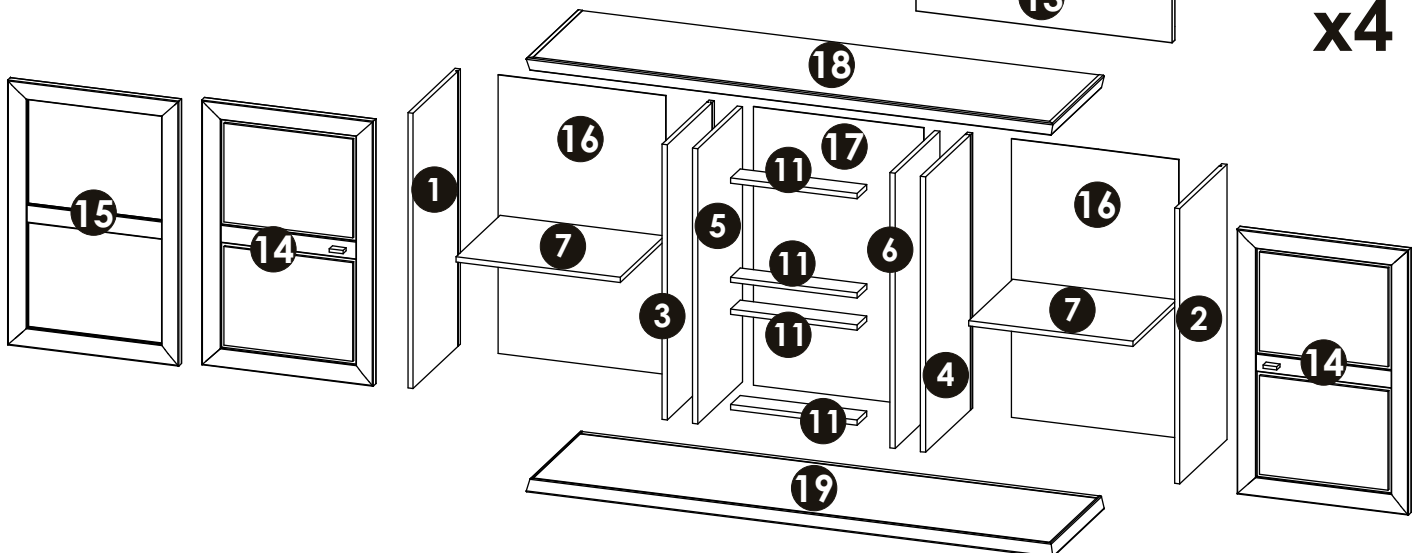
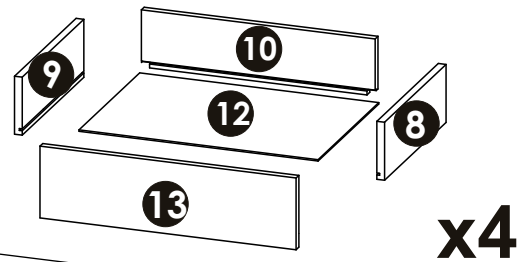
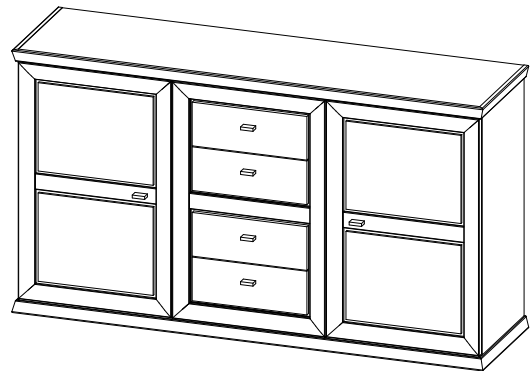
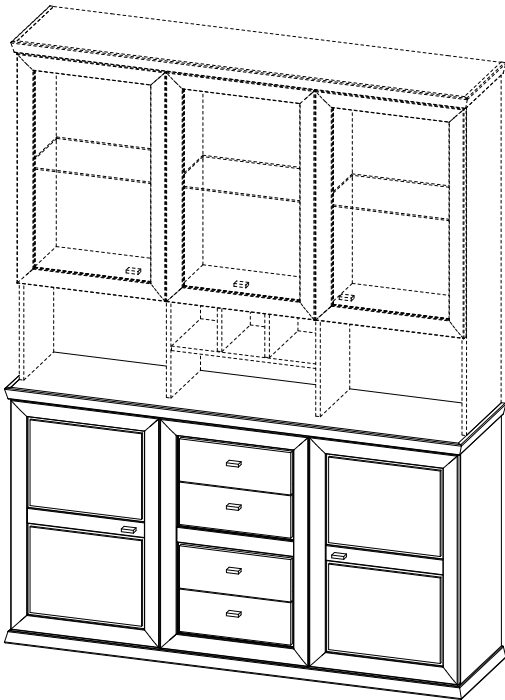
A0 8 x 30mm x56 	B1 f 7 x 50 mm x20 	C0  x32
C2  x36	C7 16mm  x36	D0 3 x 15 mm  x38
D10 4 x 16 mm  x8	D31 6,3 x 13 mm  x32	H2 4 x 22 mm  x12
J3  x4	J10  x4	K 4mm  x1
L6  x6	M1  x38	N14  L-350mm x4
Q3  x8	U0  x12	U2  x8
U3  x12		

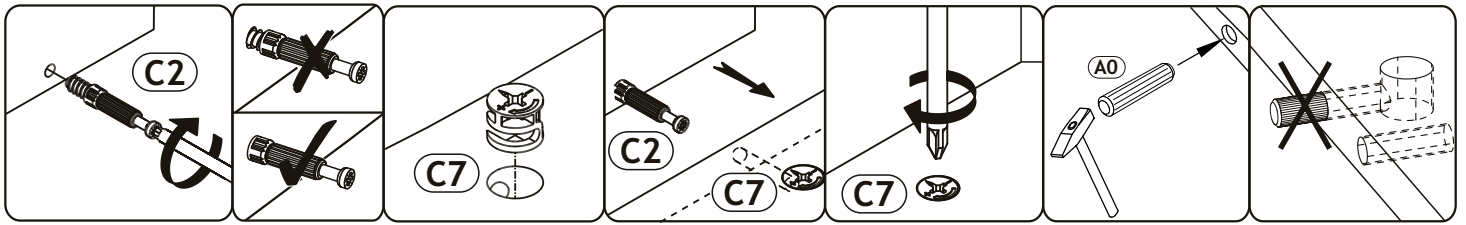


HARVEY - Buffet

1	837	393	16	x1	1/7
2	837	393	16	x1	1/7
3	837	393	16	x1	1/7
4	837	393	16	x1	1/7
5	837	373	16	x1	1/7
6	837	373	16	x1	1/7
7	499	368	16	x2	2/7
8	350	120	16	x4	2/7
9	350	120	16	x4	2/7
10	344	118	16	x4	2/7

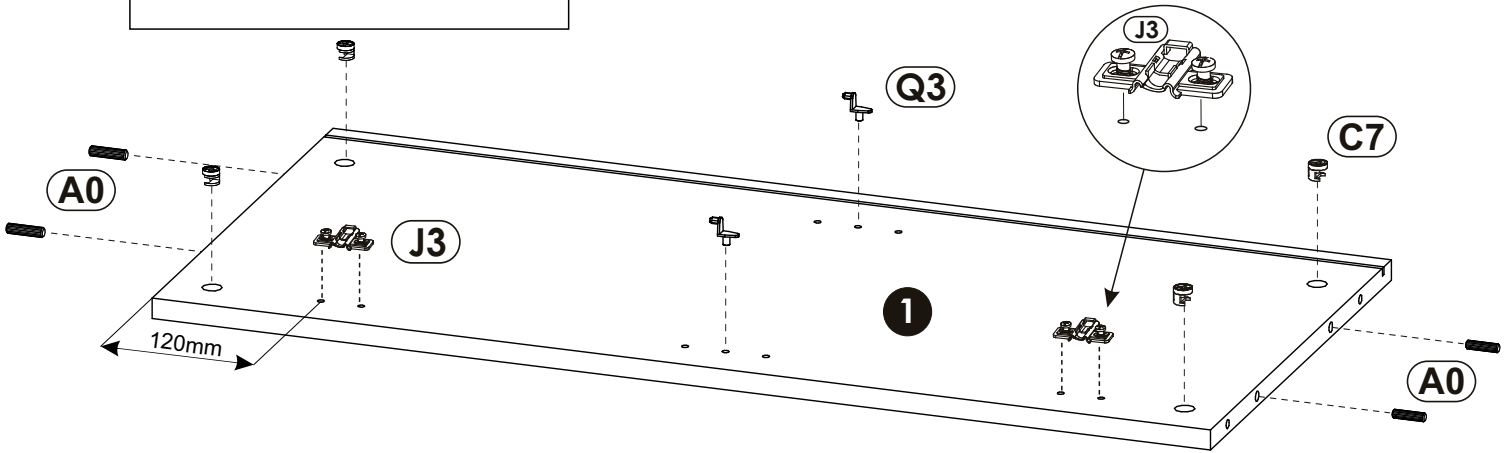
11	384	80	16	x4	2/7
12	354	344	2,8	x4	2/7
13	390	148.5	16	x4	3/7
14	805	521	25	x2	3/7
15	805	520	25	x1	3/7
16	847	509	2,8	x2	3/7
17	847	518	2,8	x1	3/7
18	1602	430	40	x1	4/7
19	1602	430	40	x1	4/7
					2/7





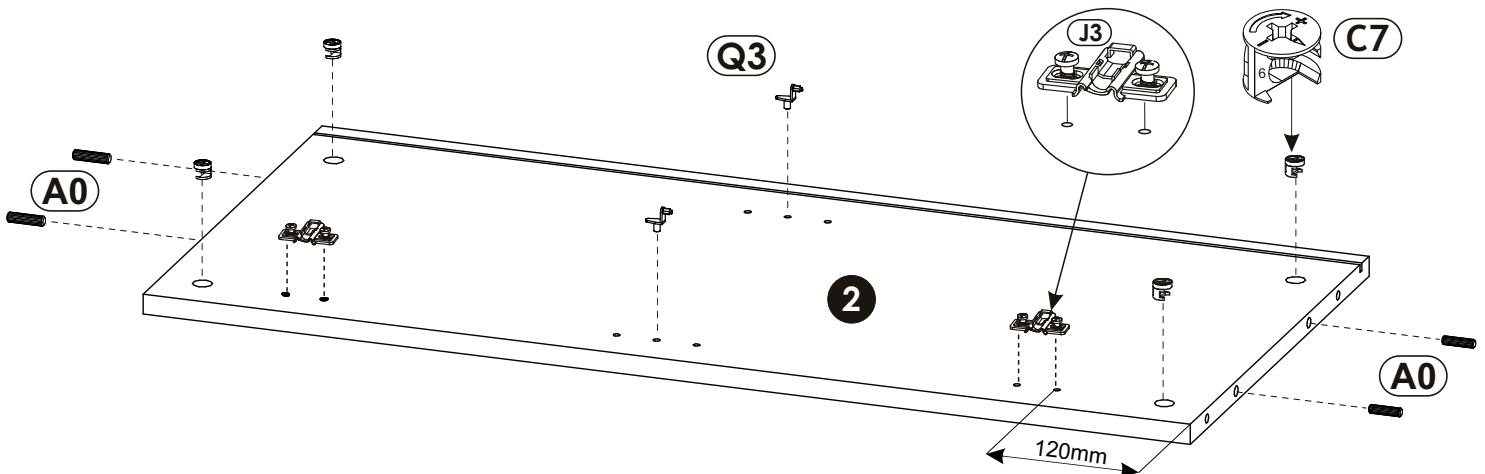
1 ▶

A0	8 x 30mm	x4	C7	16mm	x4	J3	x2
Q3		x2					


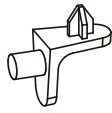



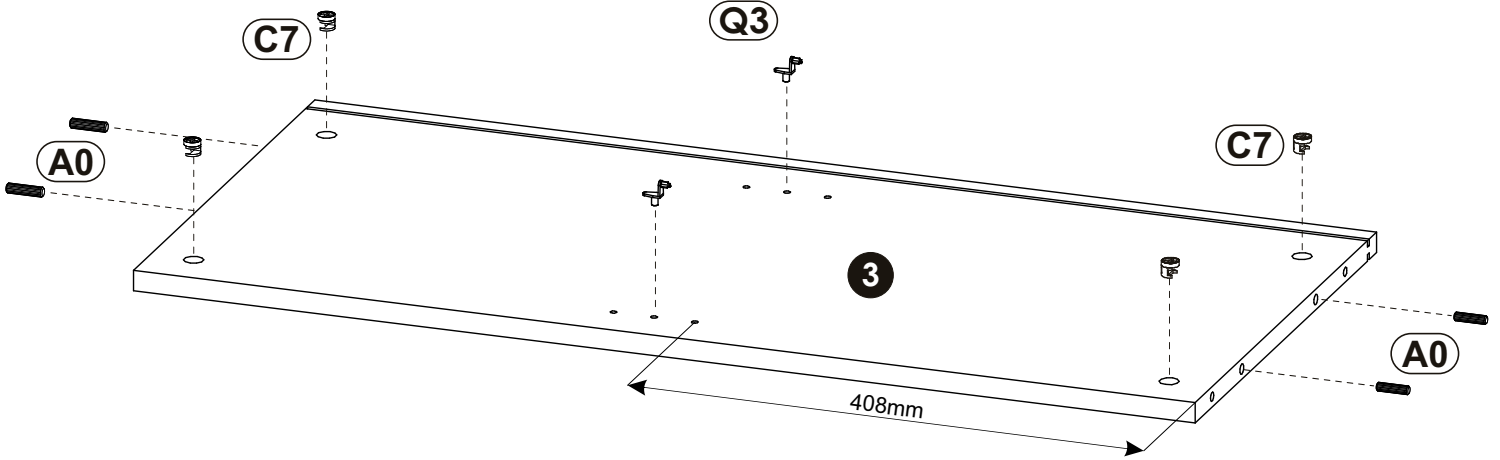
2 ▶

A0	8 x 30mm	x4	C7	16mm	x4	J3	x2
Q3		x2					


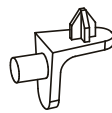



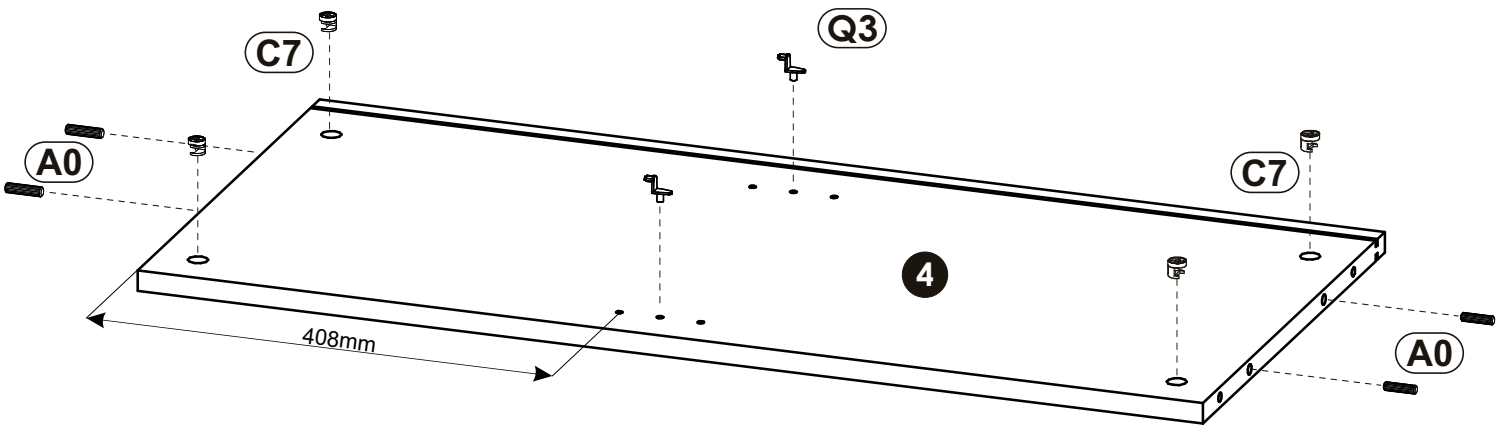
3 ▶

A0	8 x 30mm	x4	C7		x4	Q3		x2
		16mm						






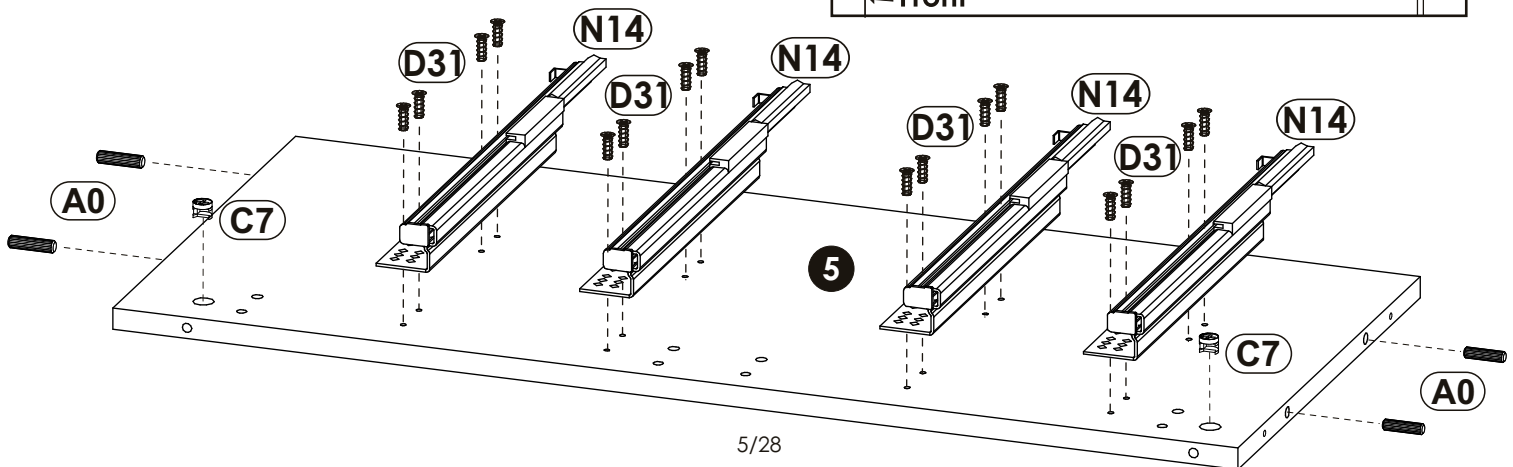
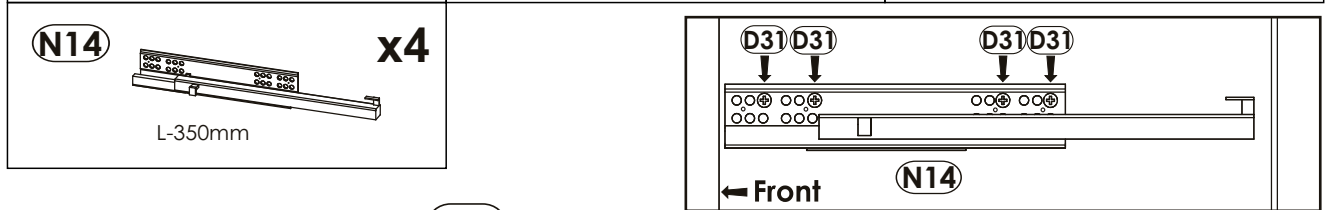
4 ▶

A0	8 x 30mm	x4	C7		x4	Q3		x2
		16mm						




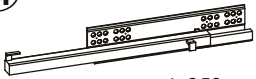
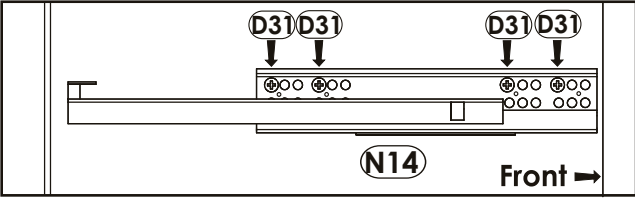


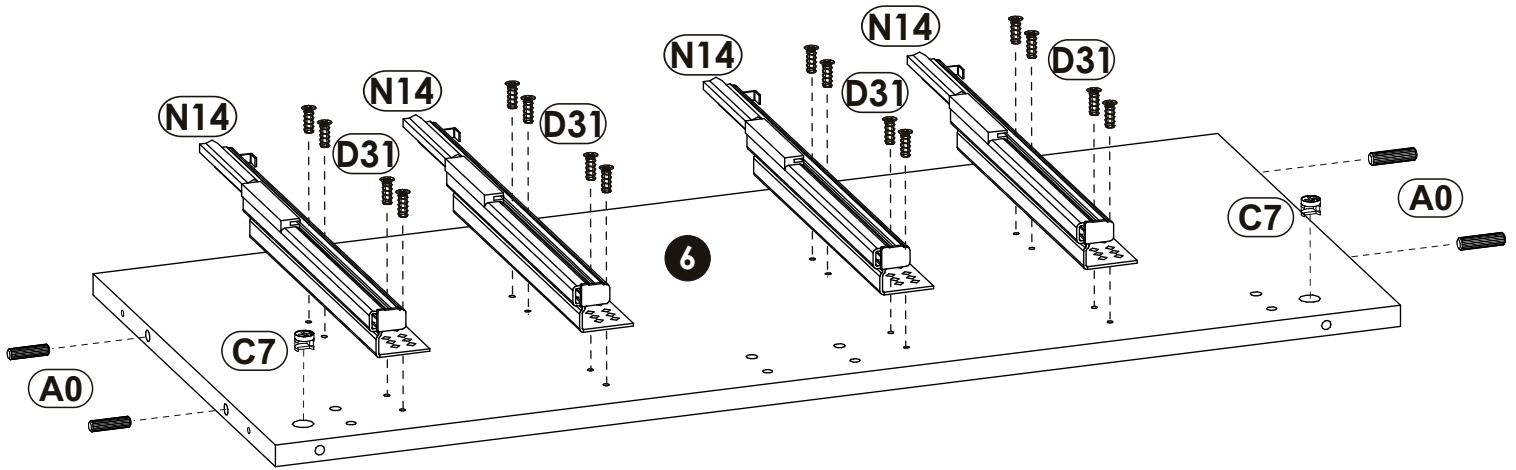
5 ▶

A0	8 x 30mm	x4	C7		x2	D31	6,3 x 13 mm	x16
		16mm						




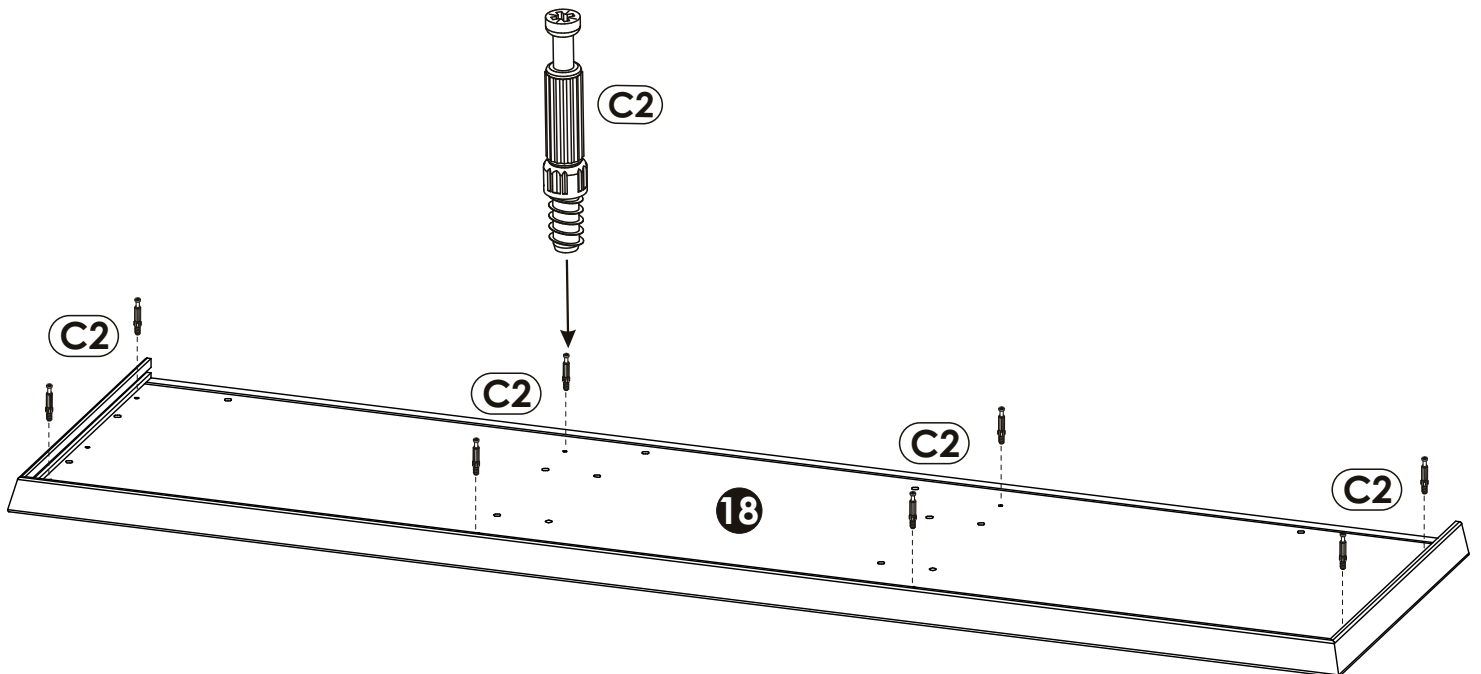
6 ▶

A0 8 x 30mm  x4	C7 16mm  x2	D31 6,3 x 13 mm  x16
N14  L-350mm x4	 N14 Front →	

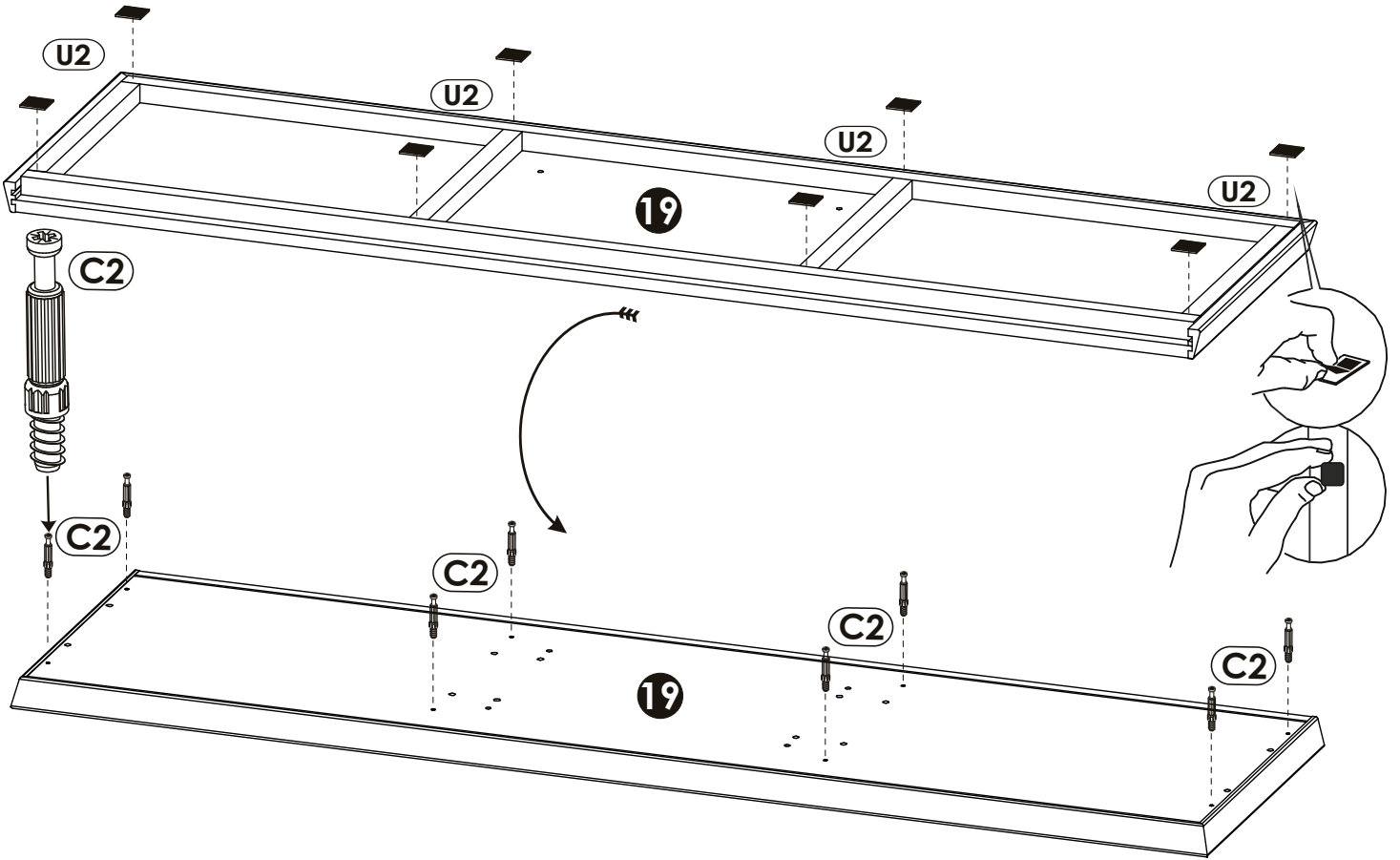
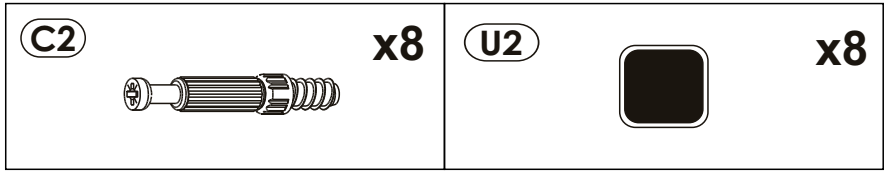


7 ▶

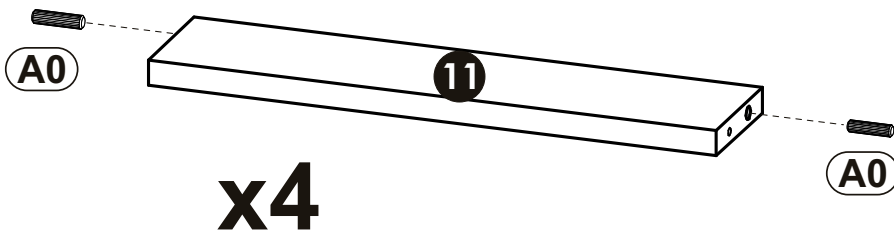
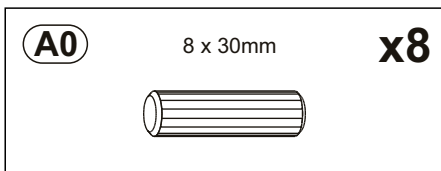
C2  x8
--



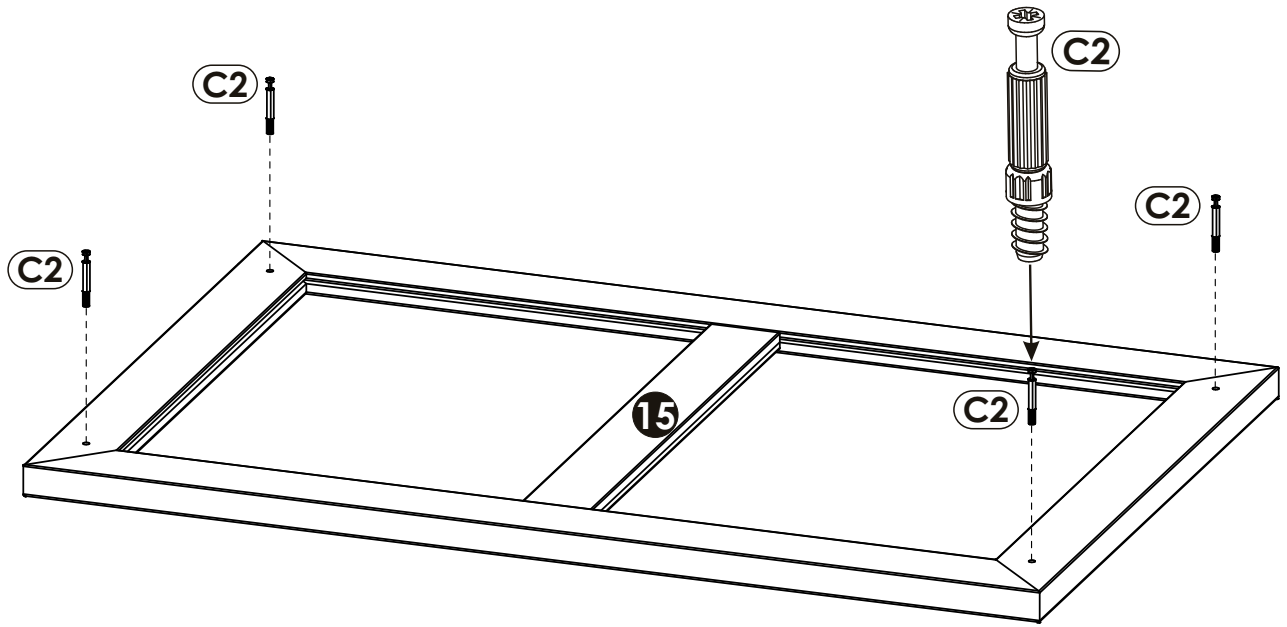
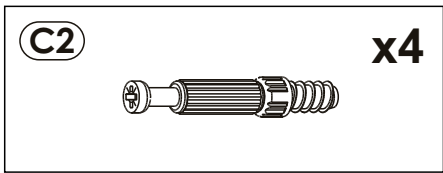
8 ▶




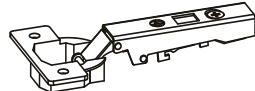




9 ▶

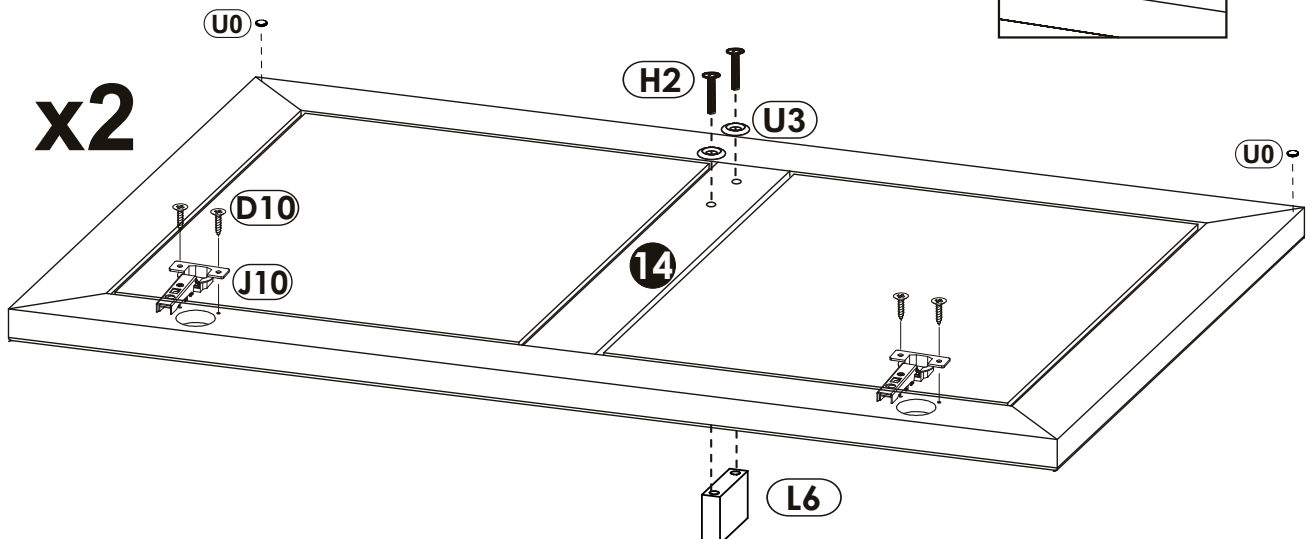
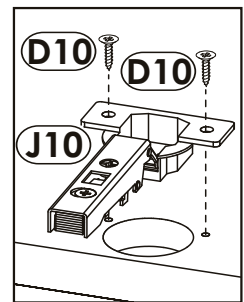


10 ▶





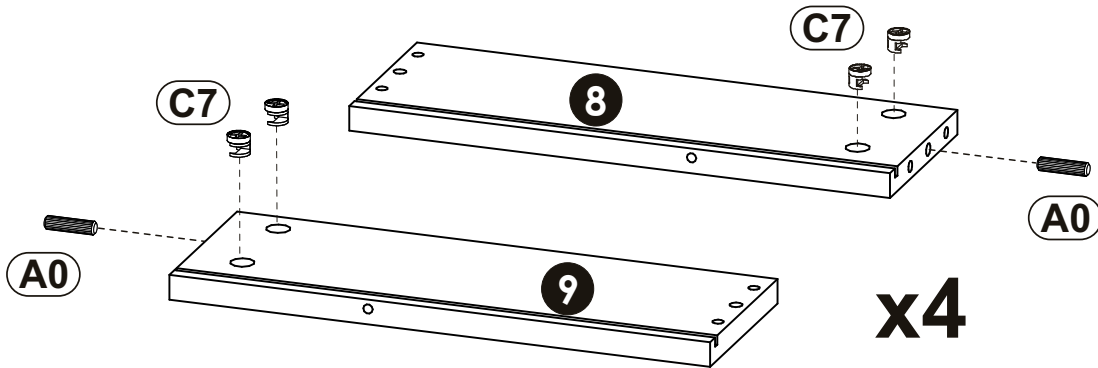
11 ▶

<p>D10 4 x 16 mm x8</p> 	<p>J10 x4</p> 	<p>H2 4 x 22 mm x4</p> 
<p>L6 x2</p> 	<p>U0 x4</p> 	<p>U3 x4</p> 

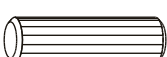


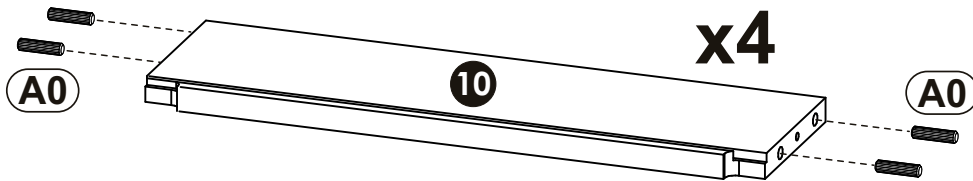
12 ▶

(A0)	8 x 30mm	x8	(C7)		x16
				16mm	







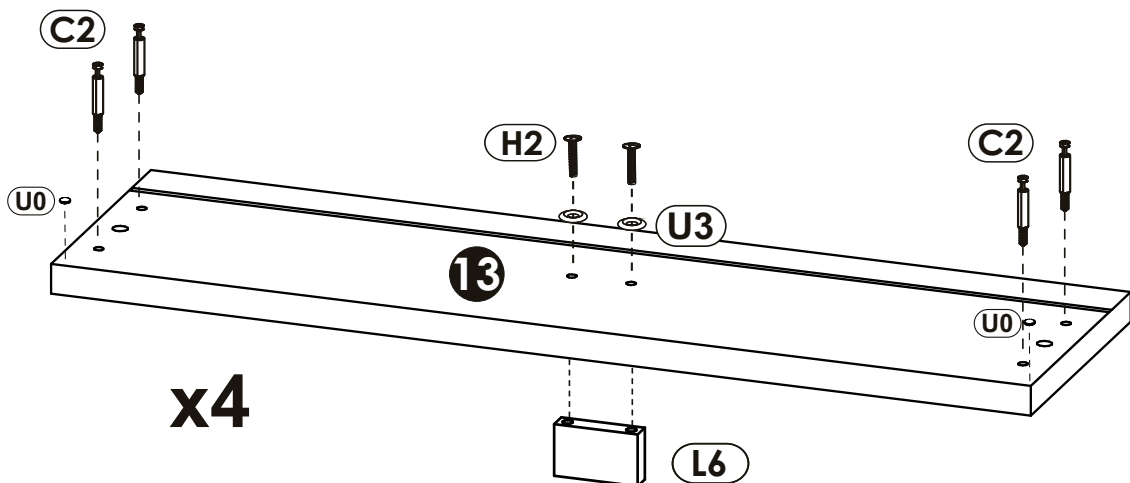
13 ▶

(A0)	8 x 30mm	x16
		


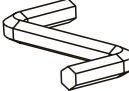


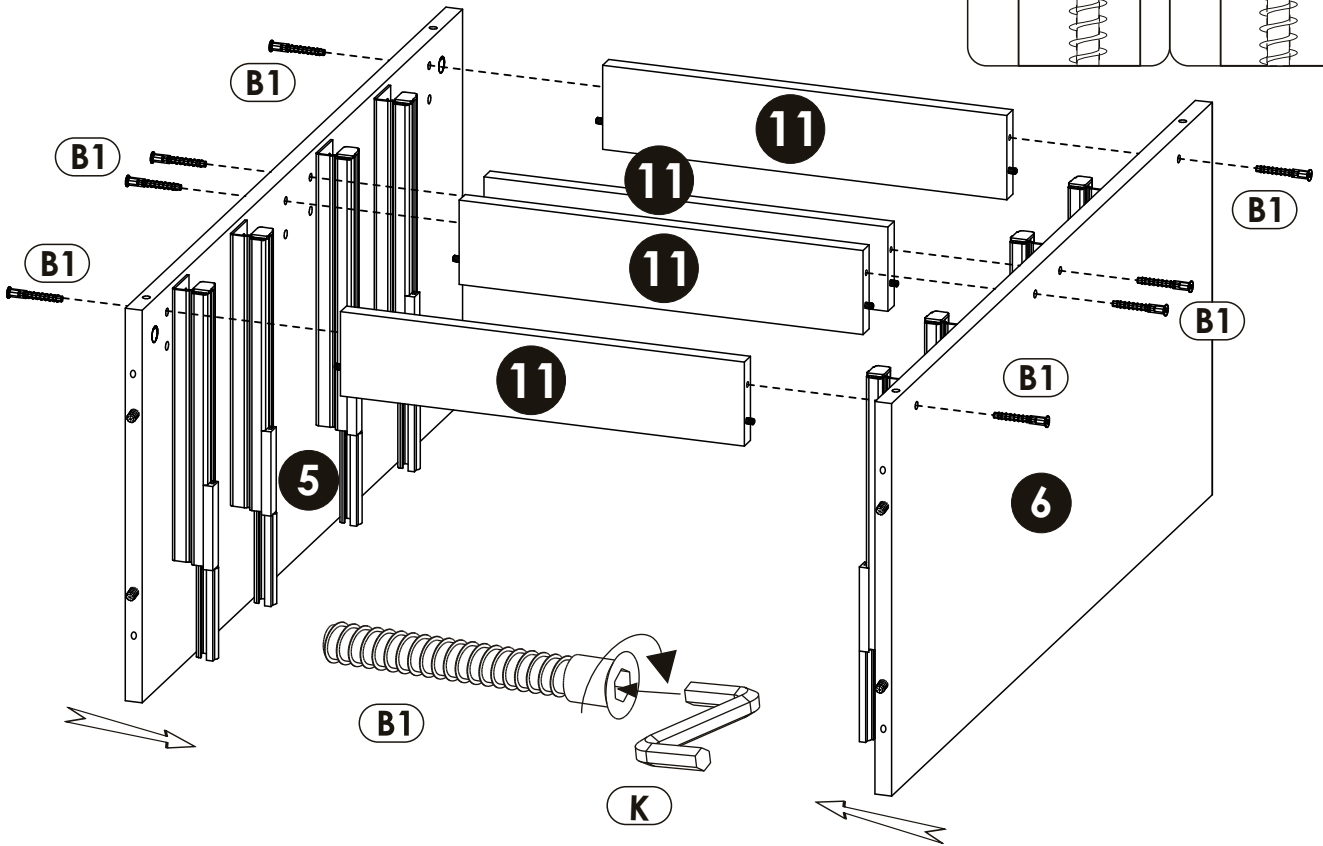
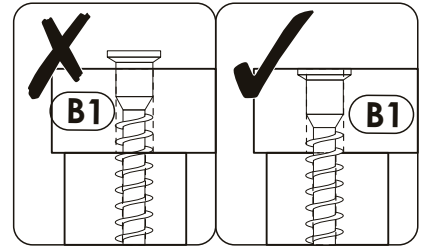
14 ▶

(C2)		x16	(H2)	4 x 22 mm	x8	(L6)		x4
(U0)		x8	(U3)		x8			

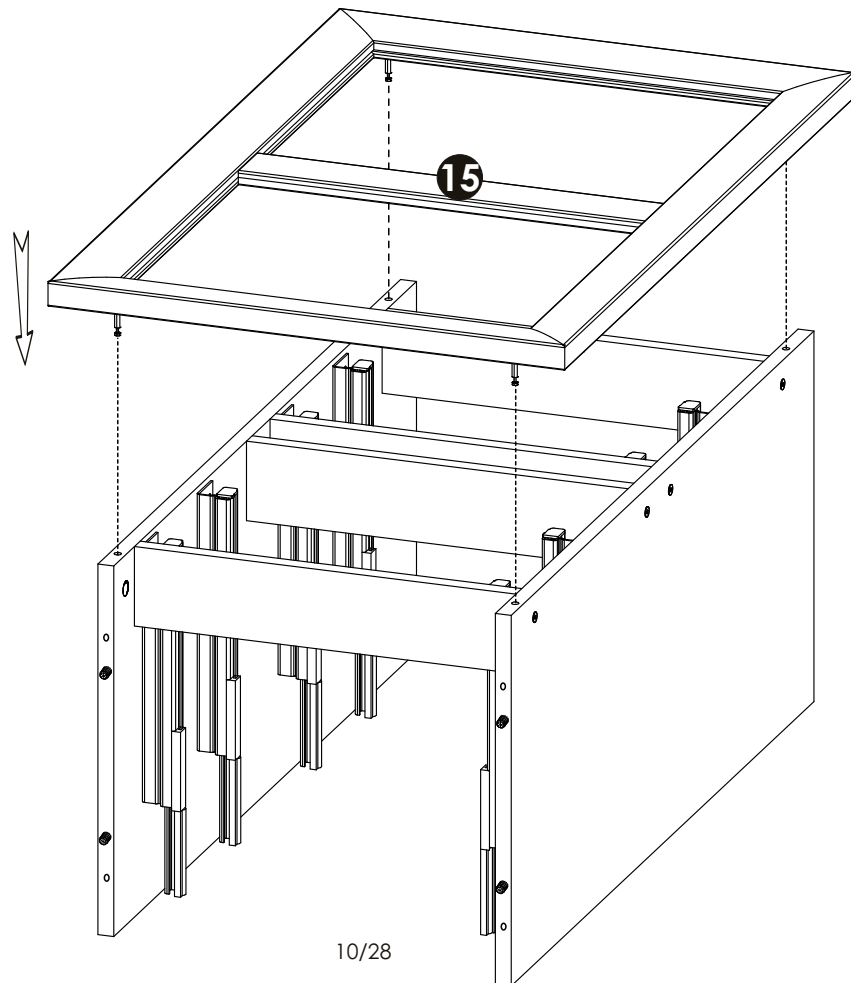


15▶

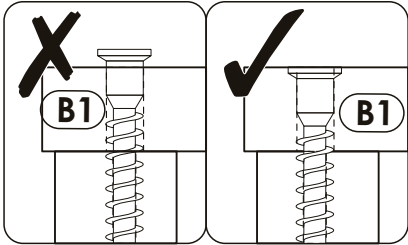
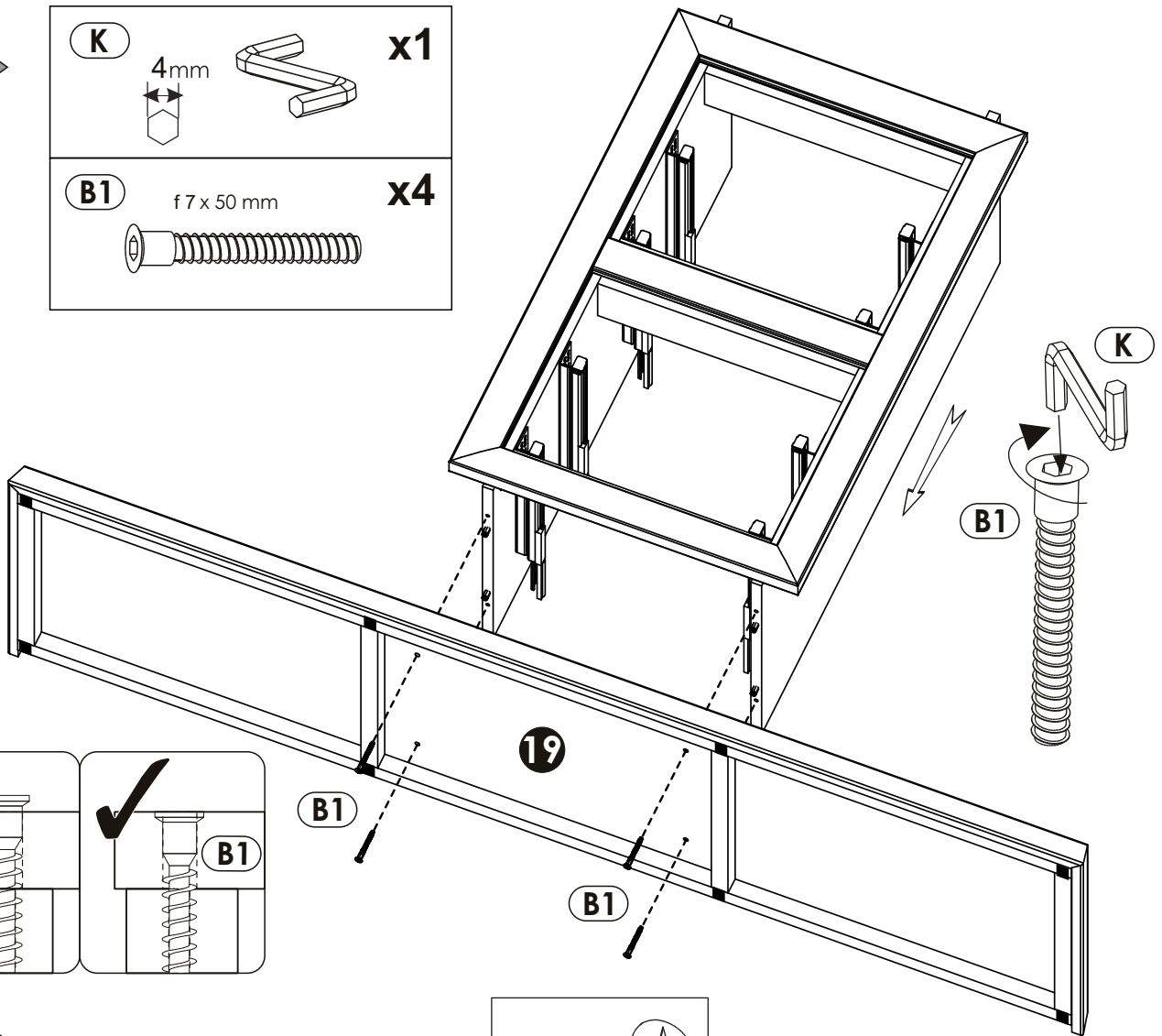
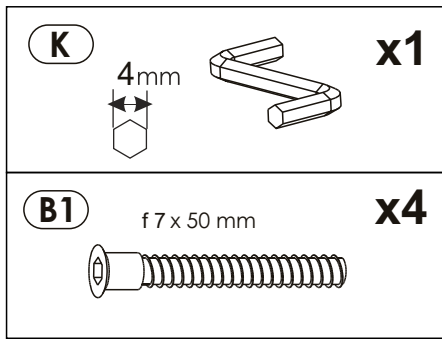
B1 f 7 x 50 mm 	x8	K 4mm 	x1
---	-----------	--	-----------



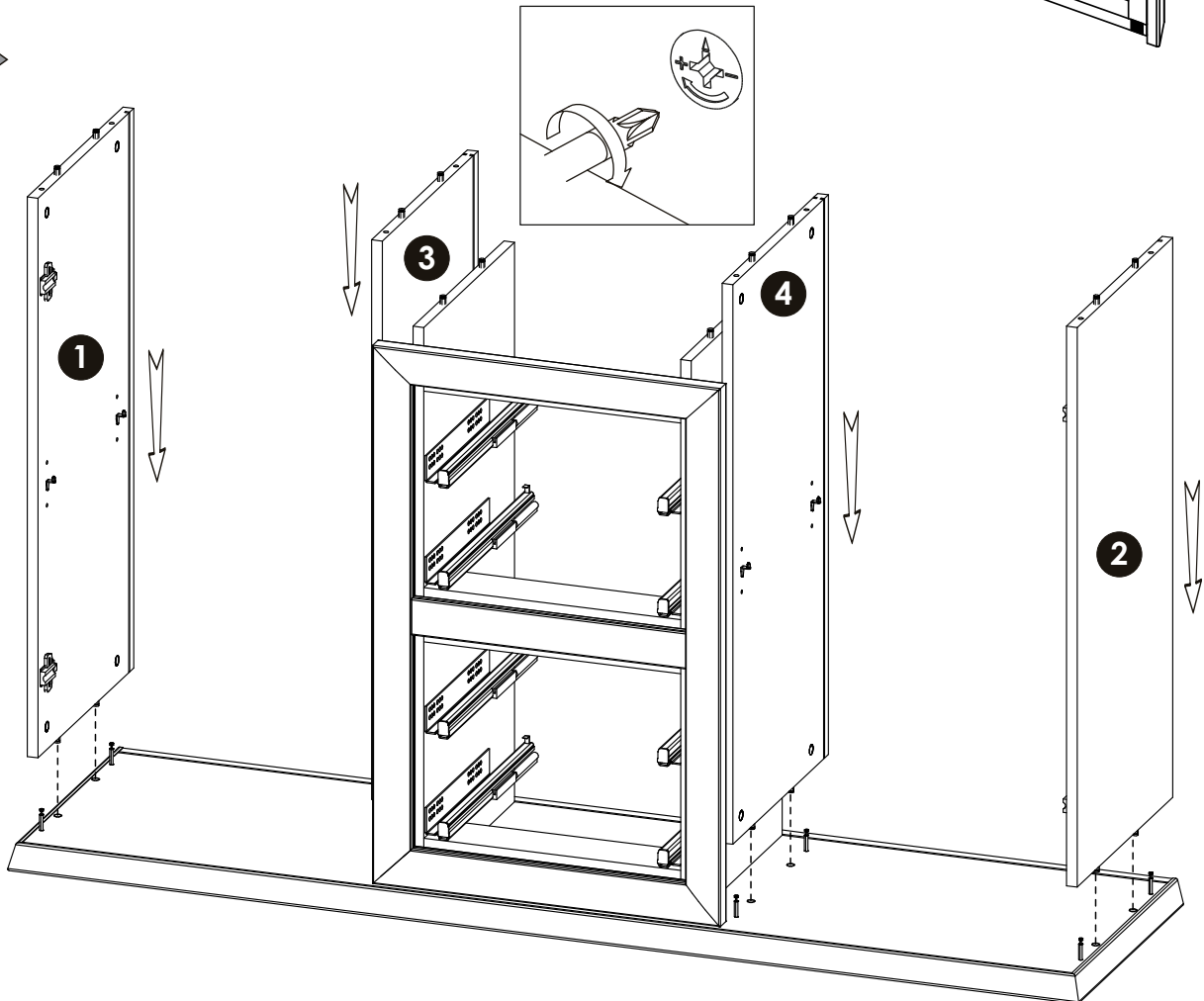
16▶



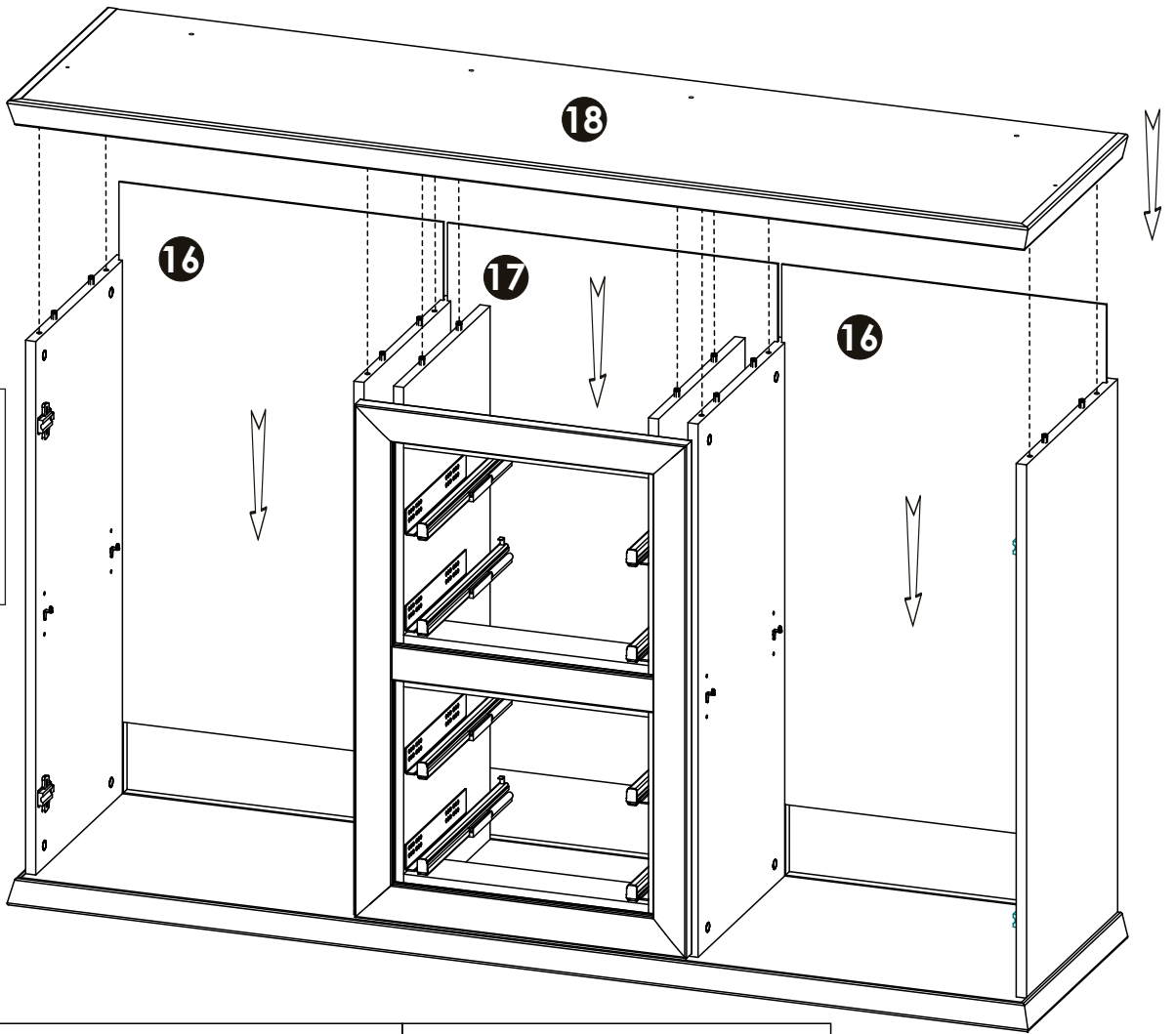
17▶





18▶

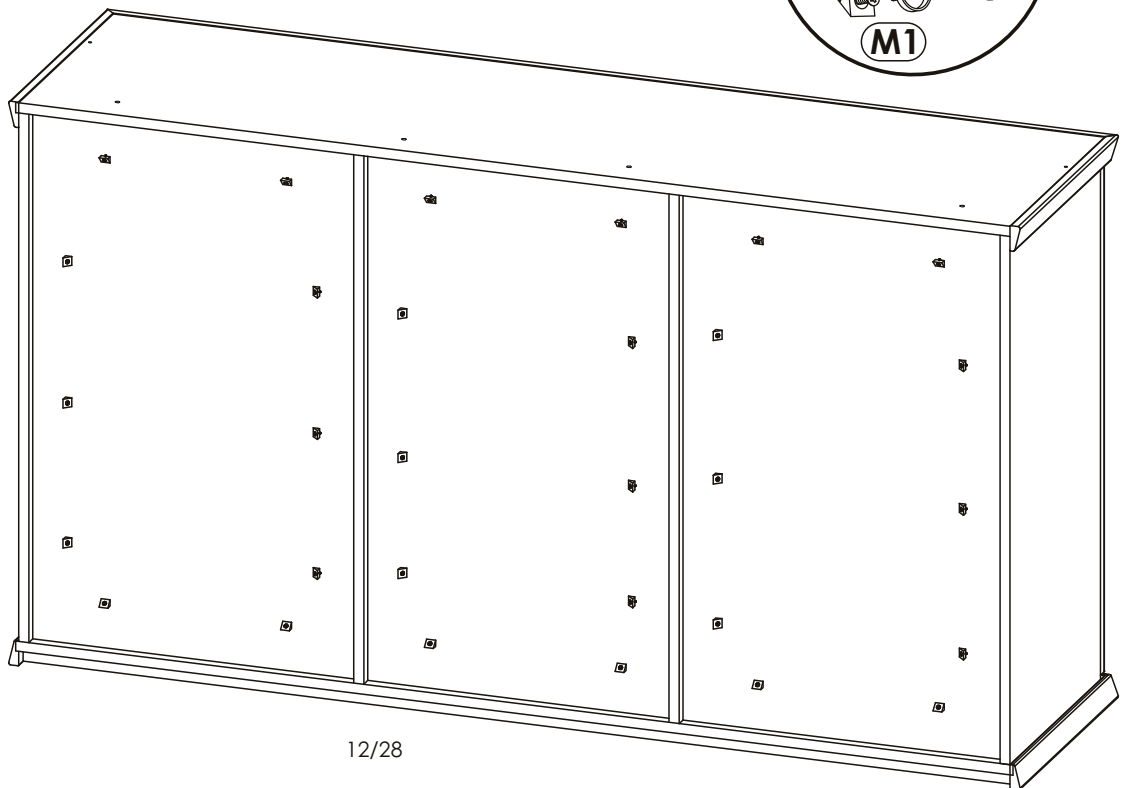
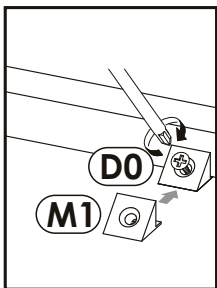
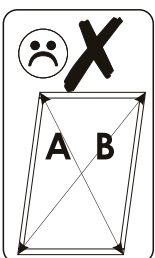
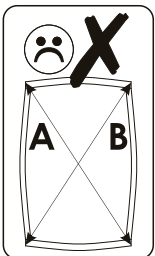
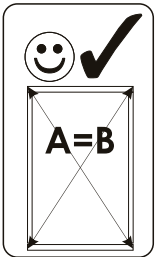
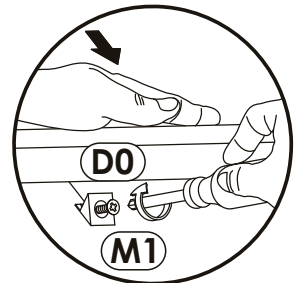


19▶

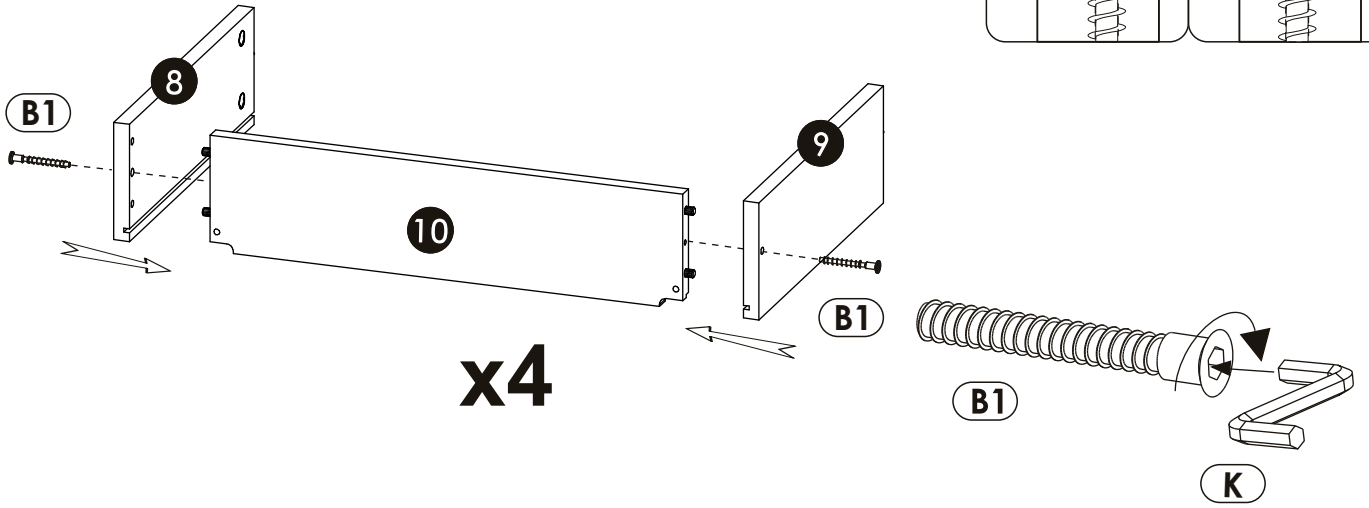
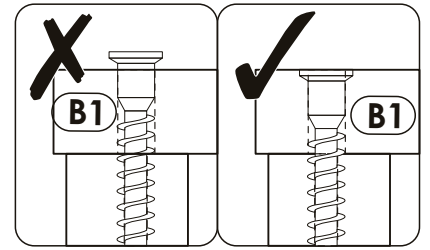
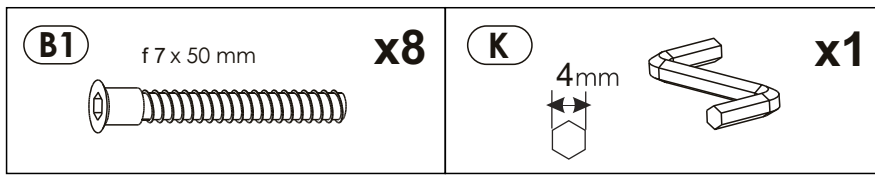


20▶

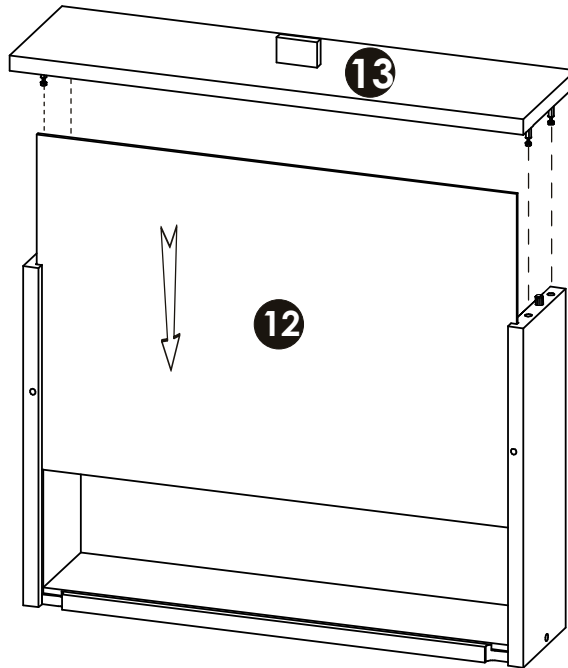
D0	3 x 15 mm	x30	M1		x30
					



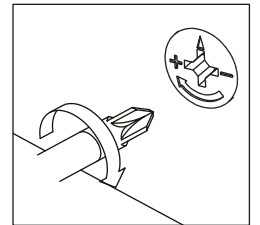
21▶



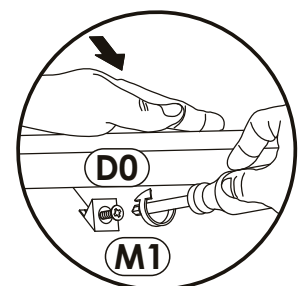
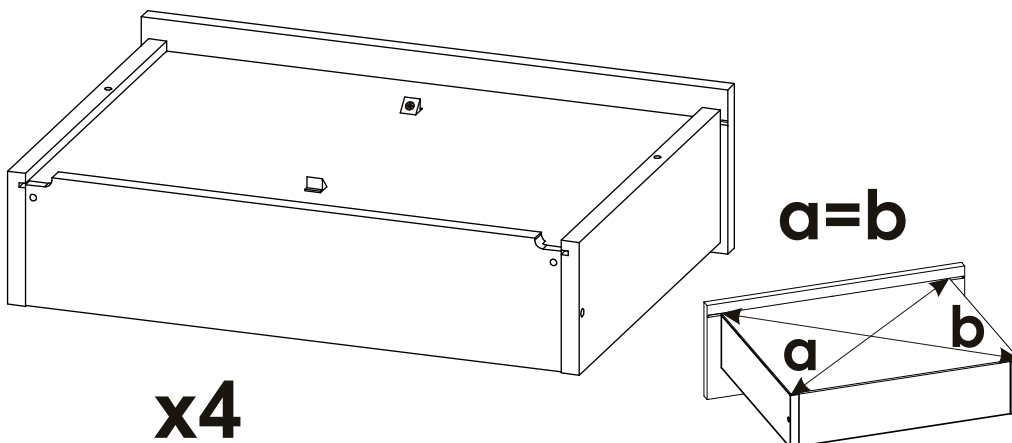
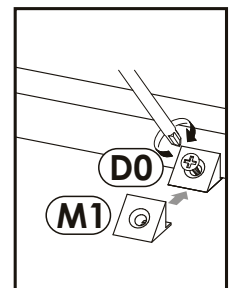
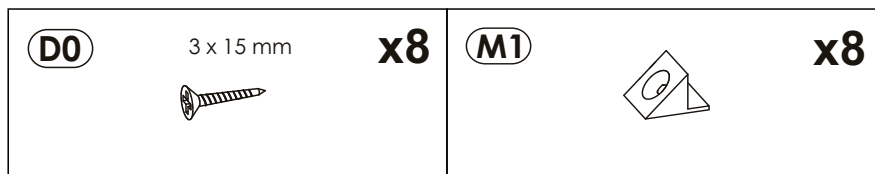
22▶



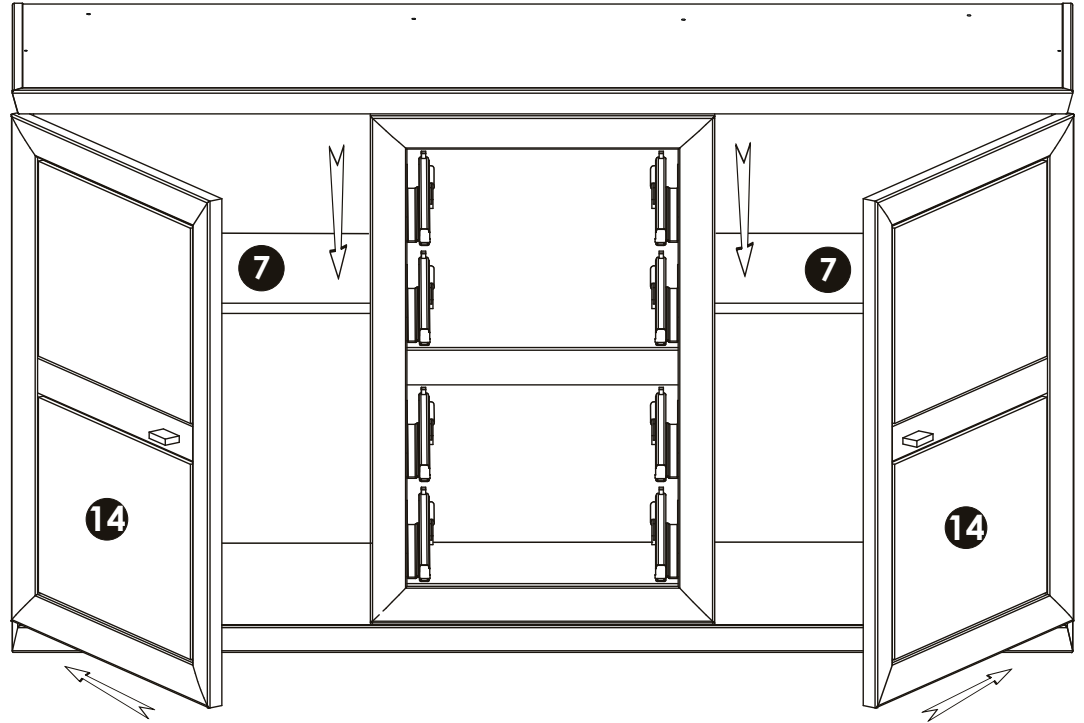
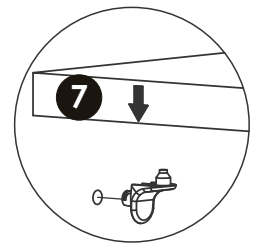
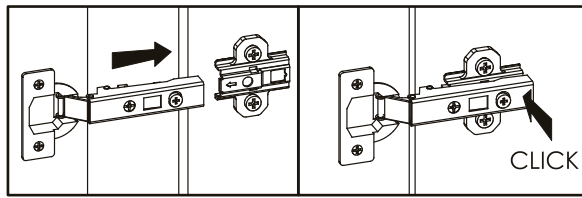
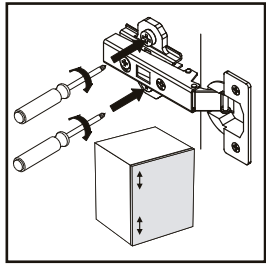
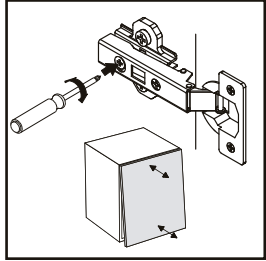
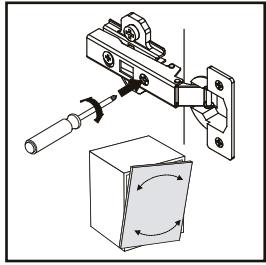
x4



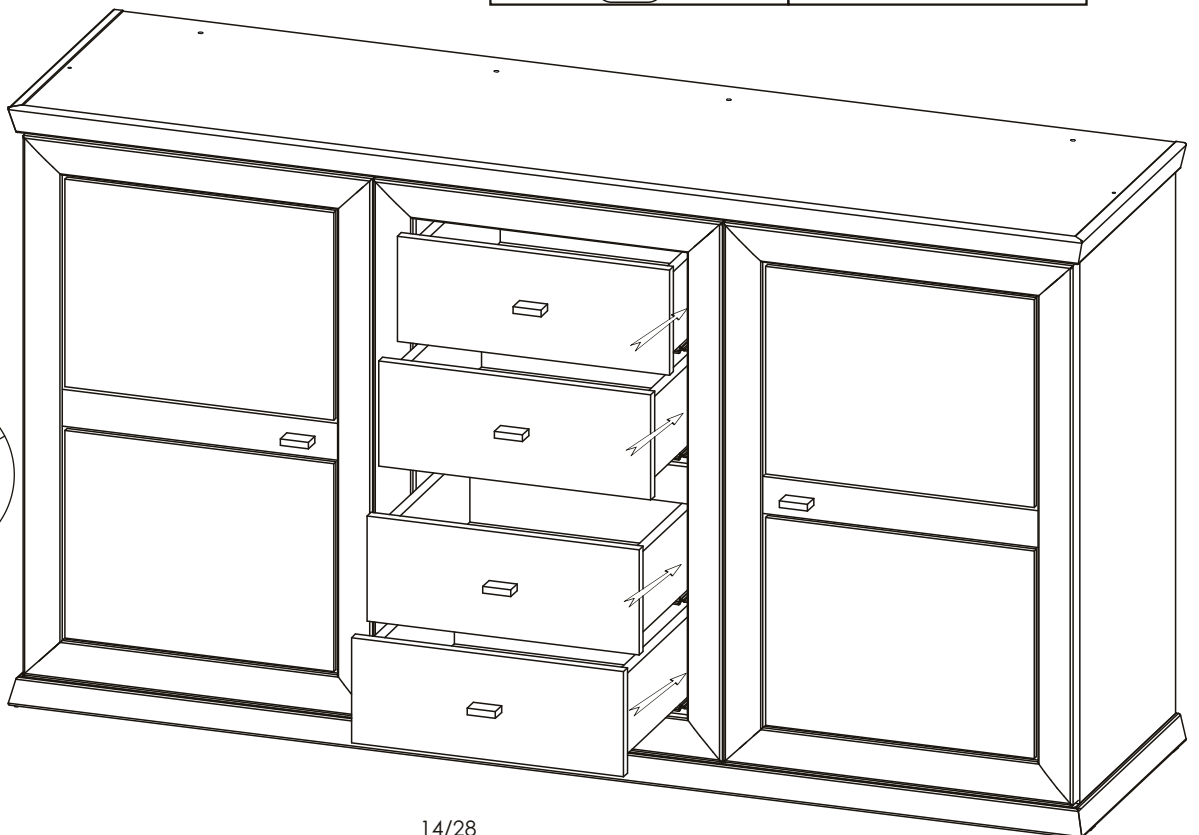
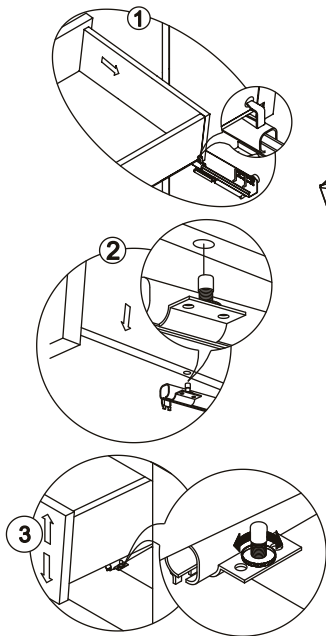
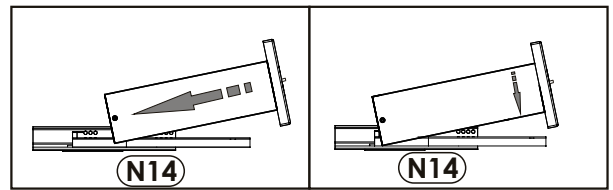
23▶



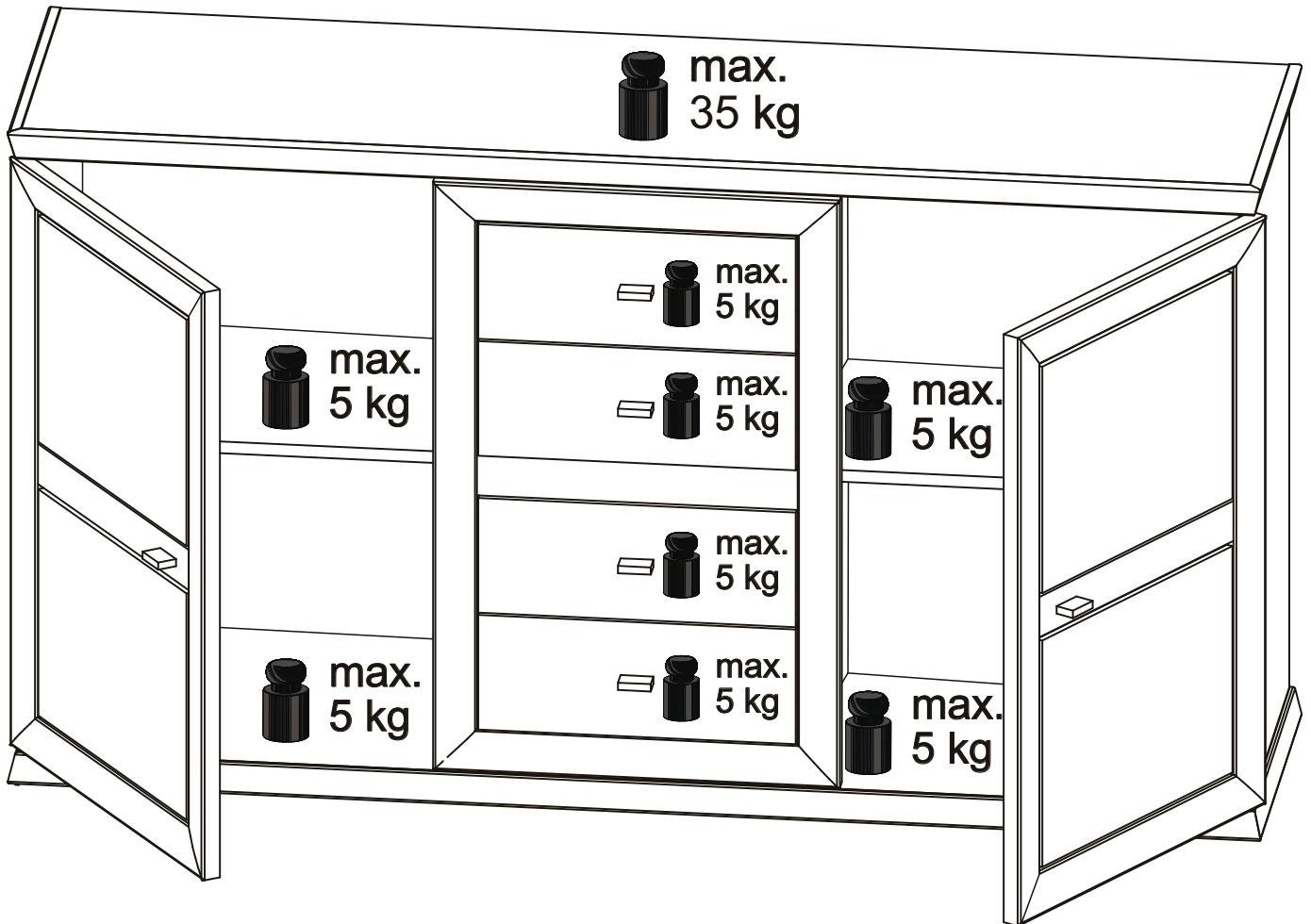
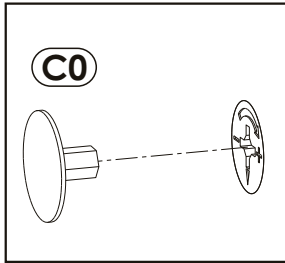
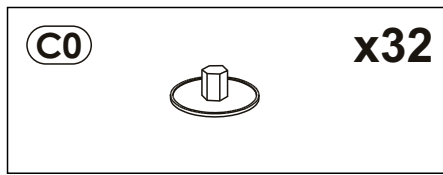
24▶





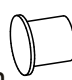

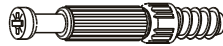




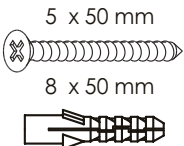

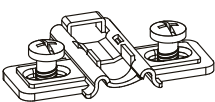
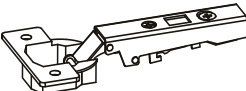
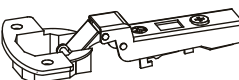
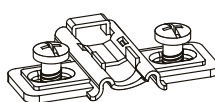
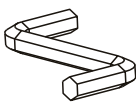


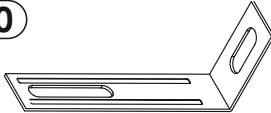
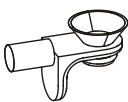



25▶

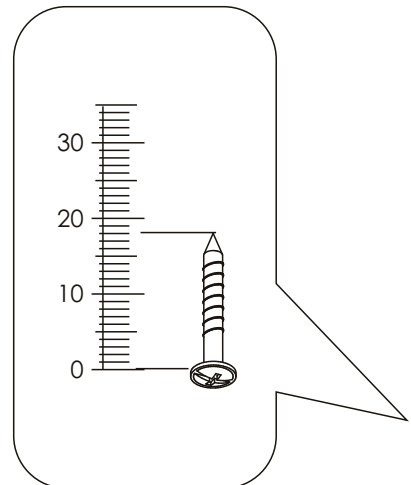
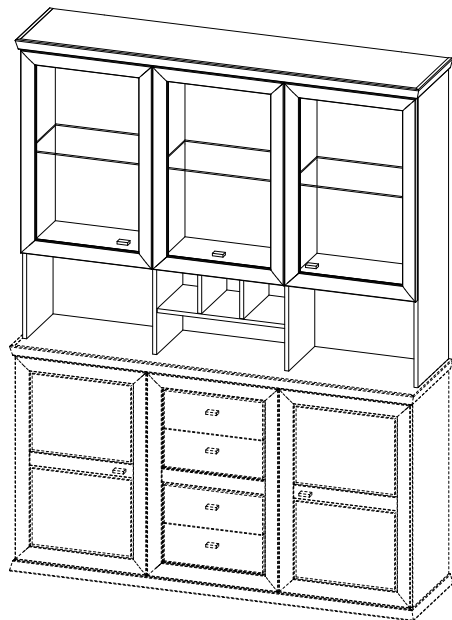
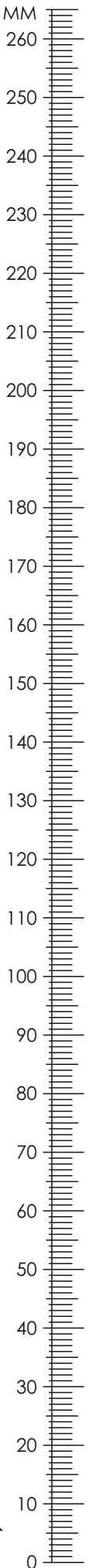


26 ▶




HARVEY - Buffet

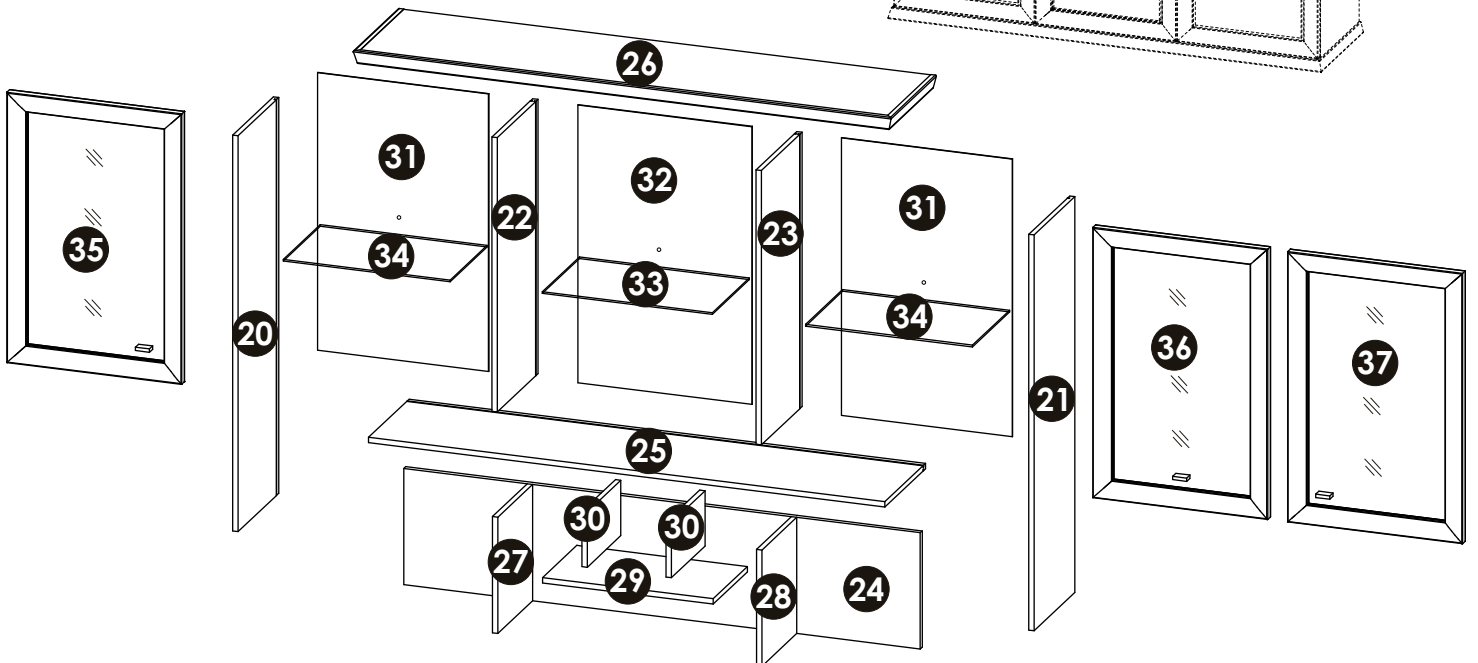
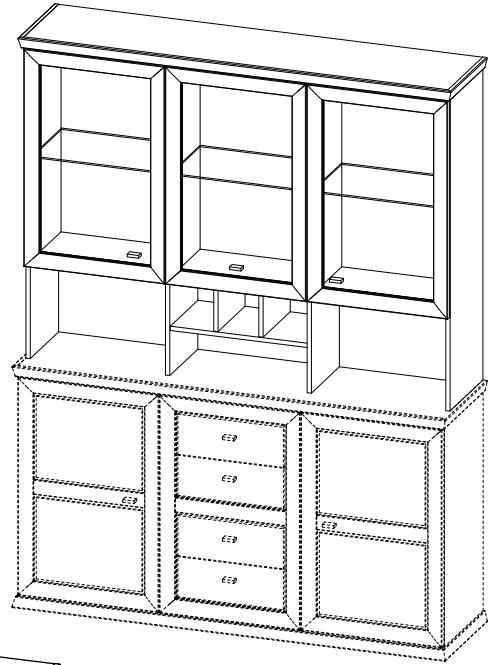
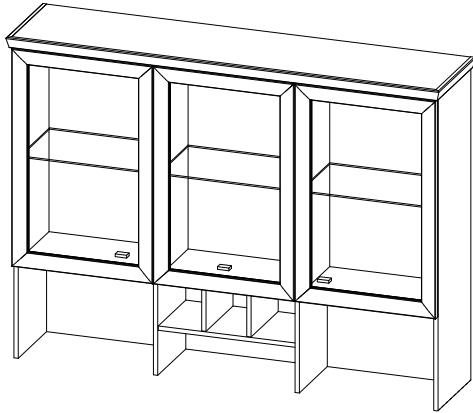
A0 8 x 30mm x24 	B1 f 7 x 50 mm x16 	B3 Ø8mm x3 
C0 x14 	C2 x26 	C7 16mm x26 
D0 3 x 15 mm x18 	D10 4 x 16 mm x12 	D21 5 x 13 mm x2 
E0 5 x 50 mm 8 x 50 mm x2 	H8 4 x 10 mm x6 	J3 x4 
J10 x4 	J13 x2 	J22 x2 
K 4mm x1 	L6 x3 	M1 x18 
P0 x2 	Q1 x12 	U0 x6 
U1 x6 	U6 x6 	




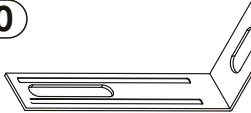
HARVEY - Buffet

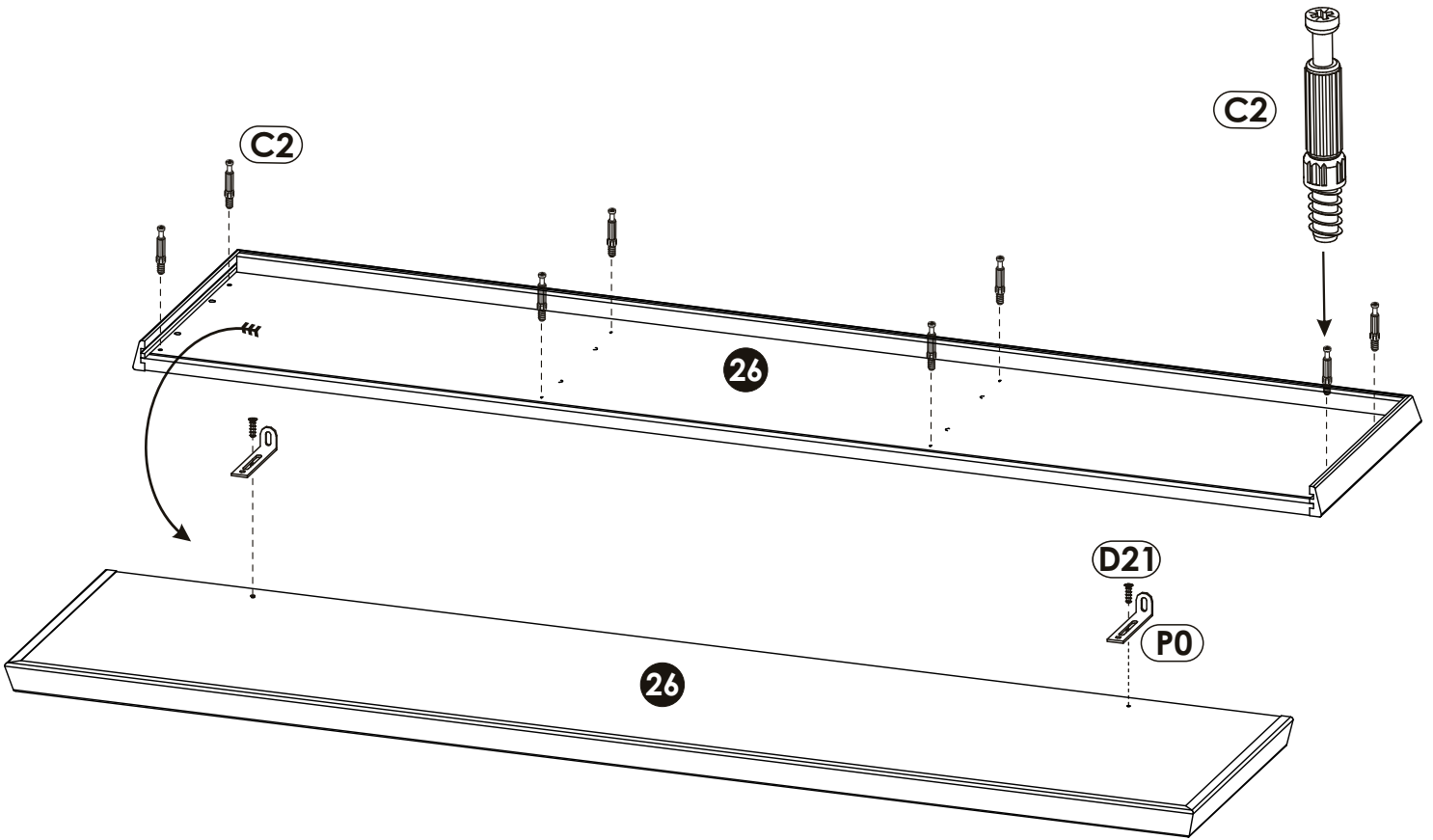
20	1179	333	16 x1	5/7
21	1179	333	16 x1	5/7
22	817	333	16 x1	6/7
23	817	333	16 x1	6/7
24	1538	346	16 x1	5/7
25	1538	333	16 x1	5/7
26	1602	370	40 x1	4/7
27	346	285	16 x1	6/7
28	346	285	16 x1	6/7
29	508	280	16 x1	6/7

30	165	275	16 x2	6/7
31	827	509	2,8 x2	7/7
32	827	518	2,8 x1	7/7
33	506	303	5 x1	6/7
34	497	303	5 x2	6/7
35	805	521	25 x1	7/7
36	805	521	25 x1	7/7
37	805	521	25 x1	7/7
				6/7





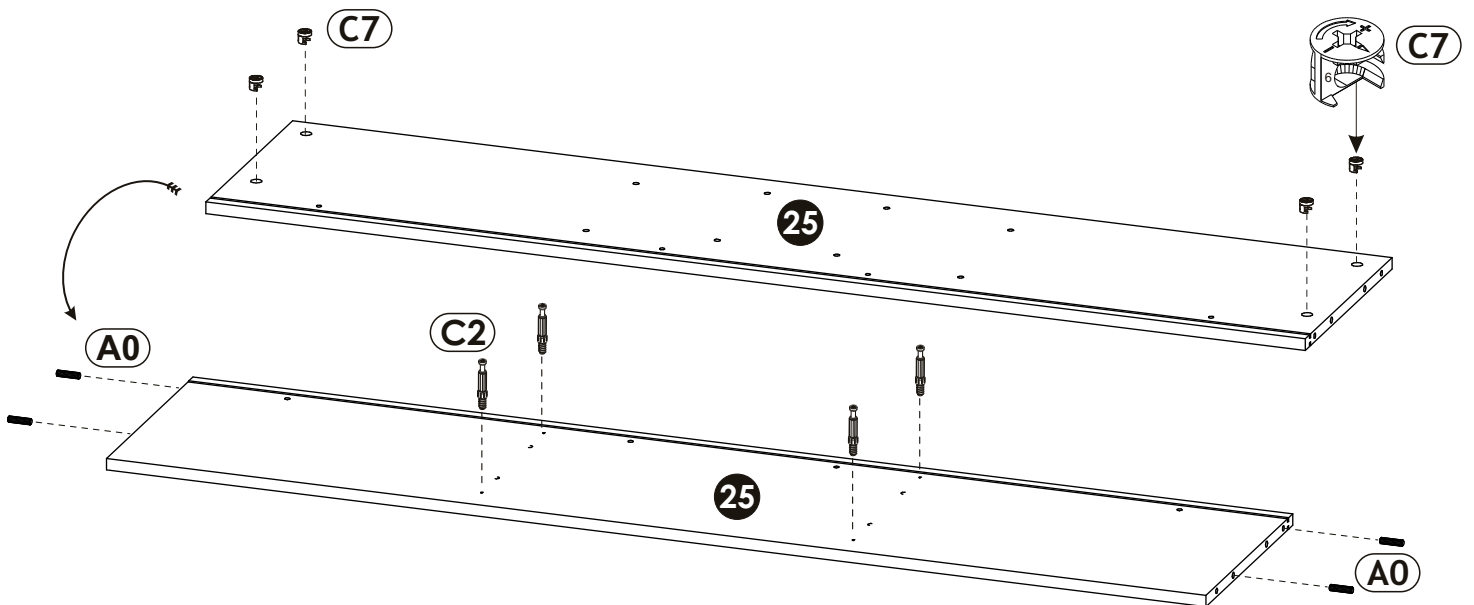
27▶

(C2)		x8	(D21)	5 x 13 mm	x2	(P0)		x2
-------------	---	-----------	--------------	-----------	-----------	-------------	--	-----------






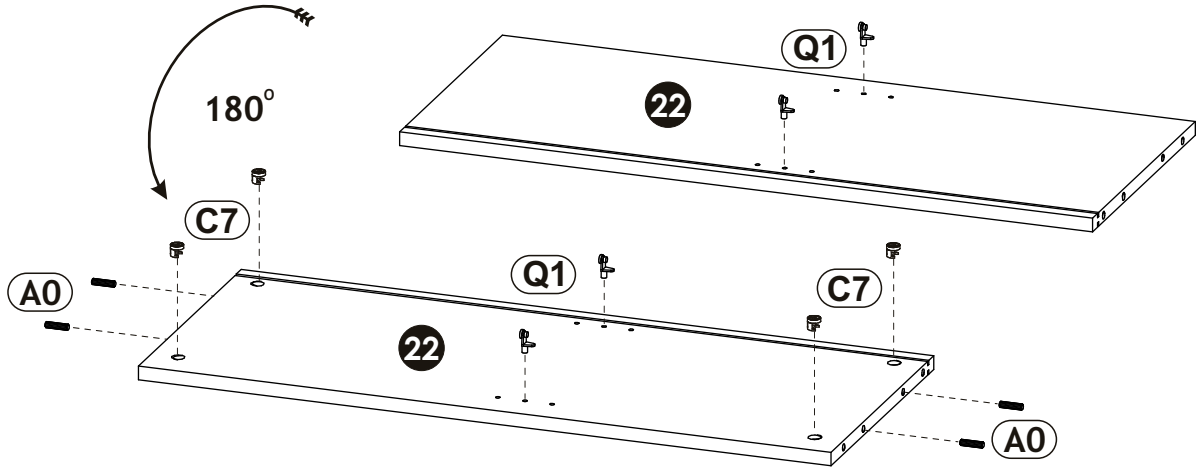
28▶

(A0)	8 x 30mm	x4	(C2)		x4	(C7)	 16mm	x4
-------------	----------	-----------	-------------	---	-----------	-------------	---	-----------




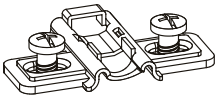


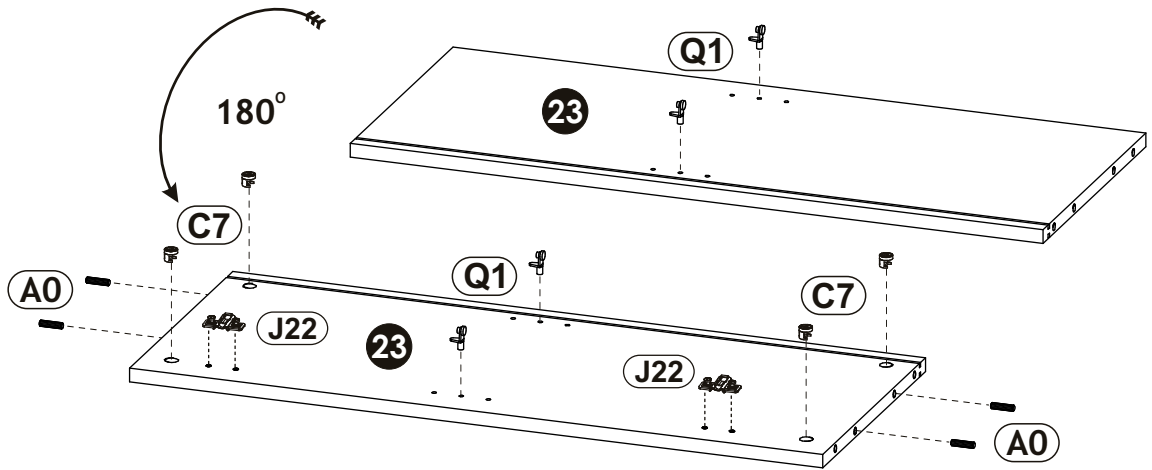
29 ▶

<p>A0</p>  <p>8 x 30mm</p>	<p>x4</p>	<p>C7</p>  <p>16mm</p>	<p>x4</p>	<p>Q1</p> 	<p>x4</p>
--	------------------	---	------------------	---	------------------





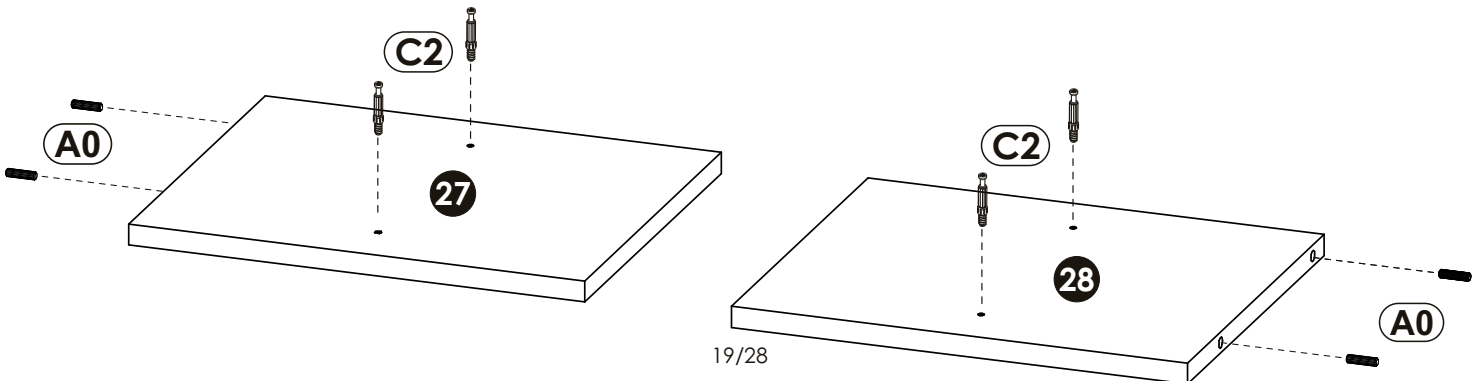
30 ▶

<p>A0</p>  <p>8 x 30mm</p>	<p>x4</p>	<p>C7</p>  <p>16mm</p>	<p>x4</p>	<p>Q1</p> 	<p>x4</p>
<p>J22</p>  <p>x2</p>					




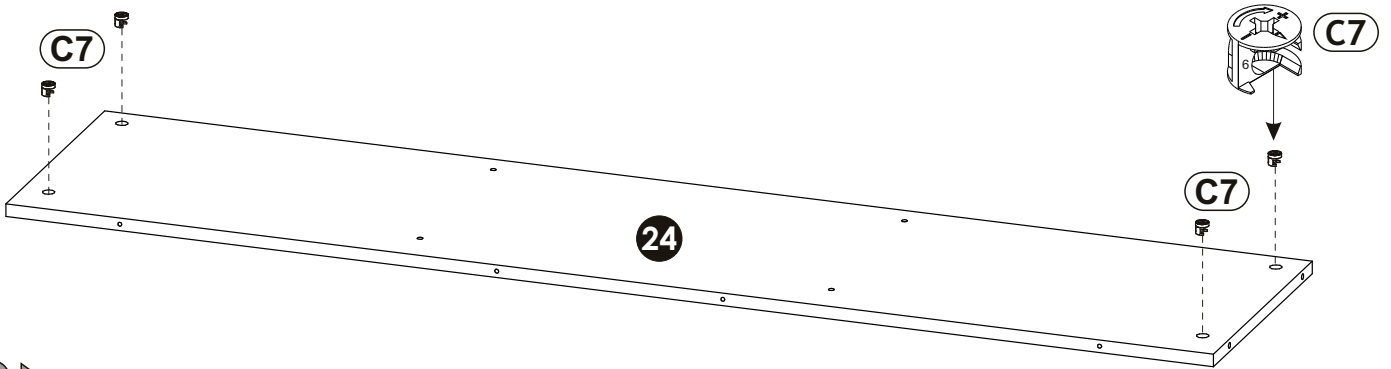
31 ▶

<p>A0</p>  <p>8 x 30mm</p>	<p>x4</p>	<p>C2</p> 	<p>x4</p>
--	------------------	---	------------------



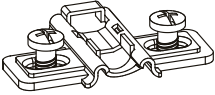
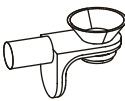


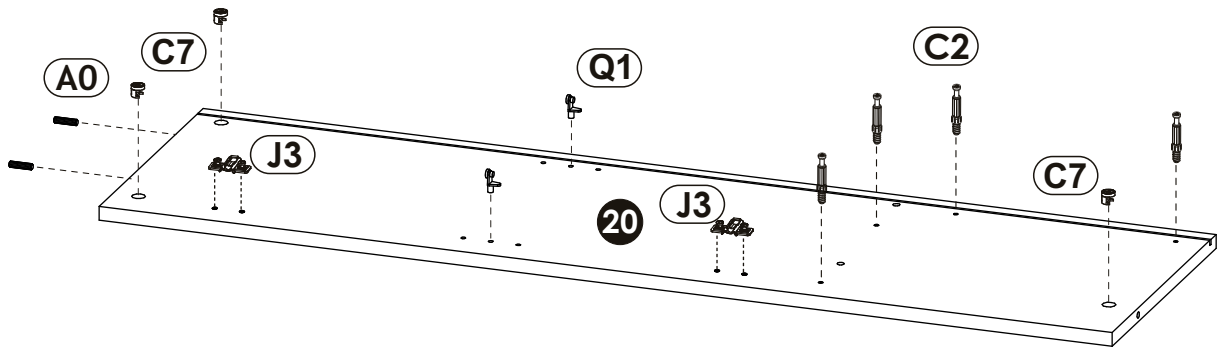
32▶

(C7)		x4
16mm		



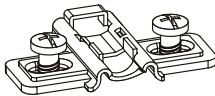
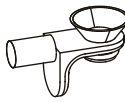


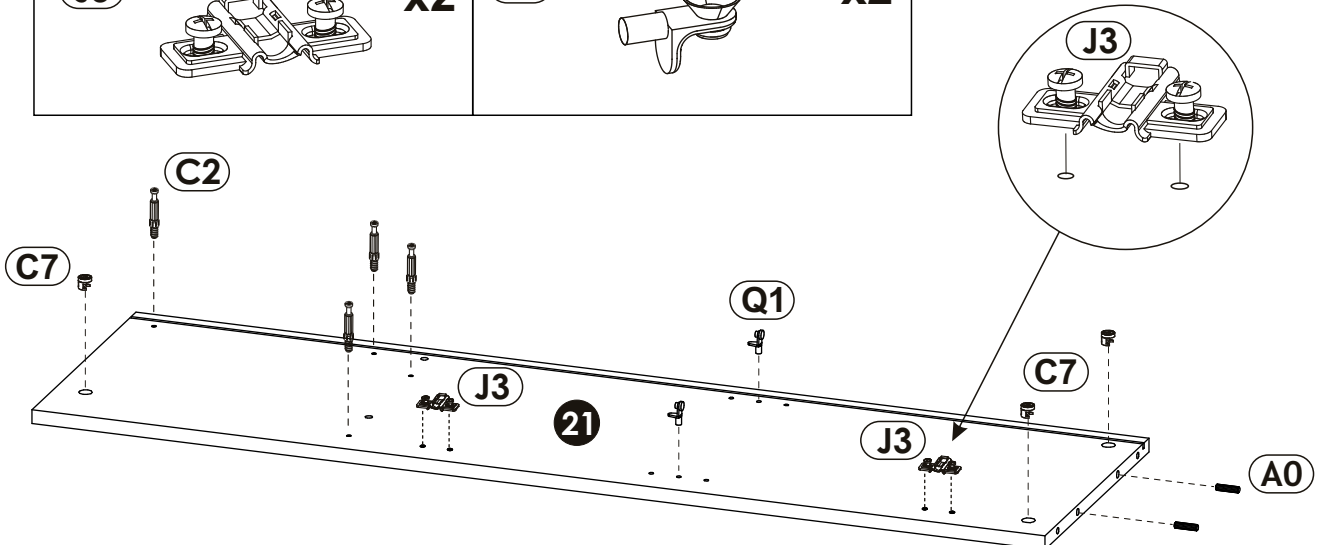
33▶

(A0)	8 x 30mm	x2	(C2)		x4	(C7)		x3
						16mm		
(J3)		x2	(Q1)		x2			





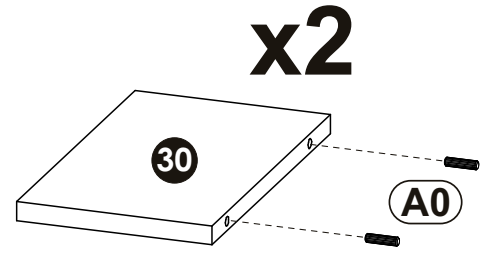
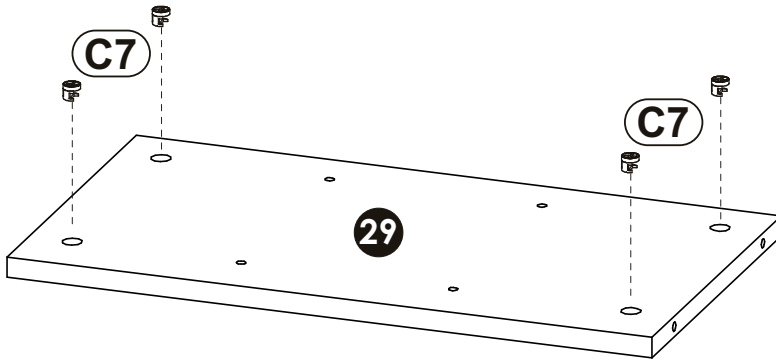
34▶

(A0)	8 x 30mm	x2	(C2)		x4	(C7)		x3
						16mm		
(J3)		x2	(Q1)		x2			

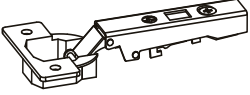

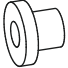




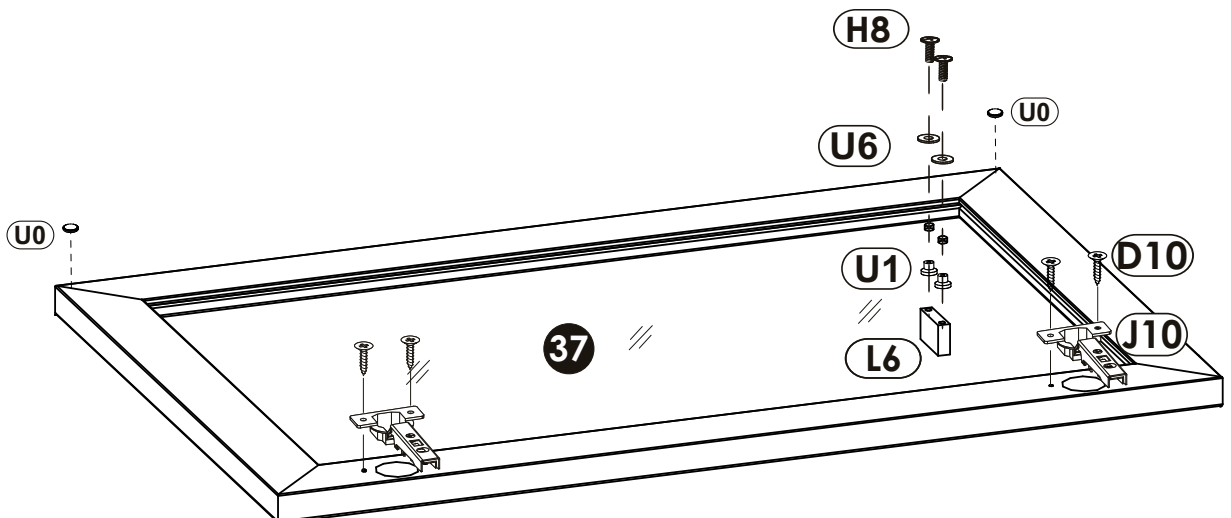
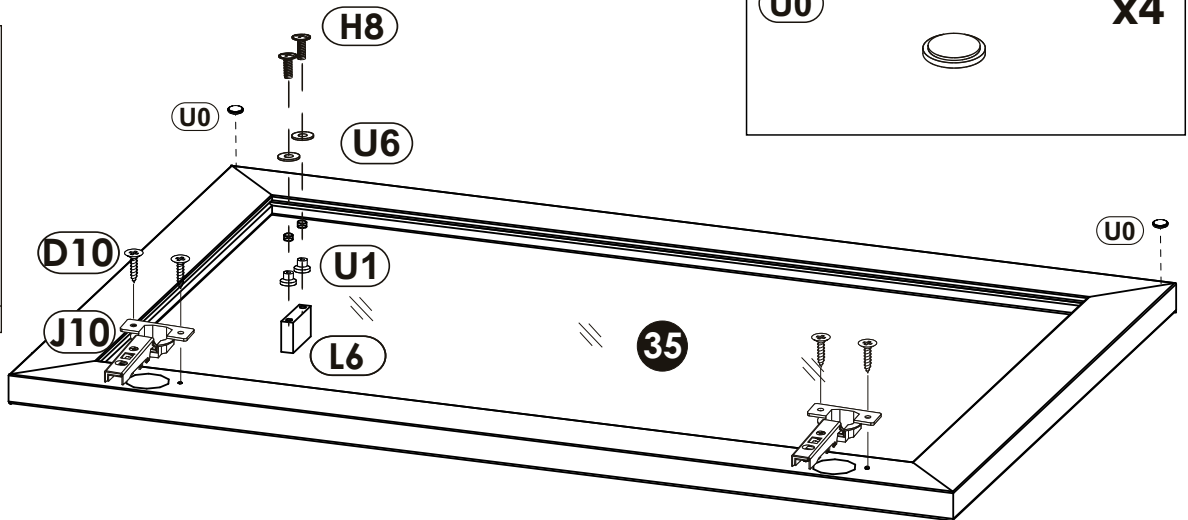
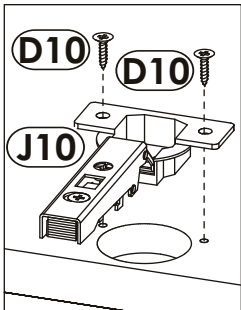
35 ▶

A0	8 x 30mm	x4	C7		x4
			16mm		



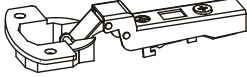

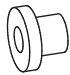




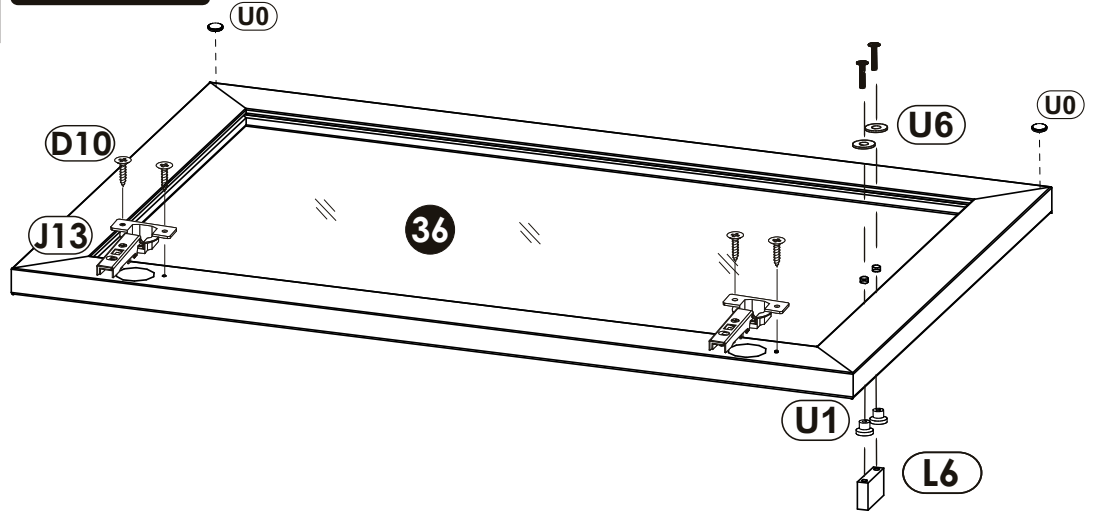
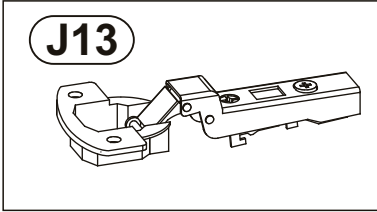
36 ▶

D10	4 x 16 mm	x8	H8	4 x 10 mm	x4	J10		x4
L6		x2	U1		x4	U6		x4
						U0		x4


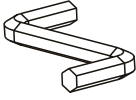


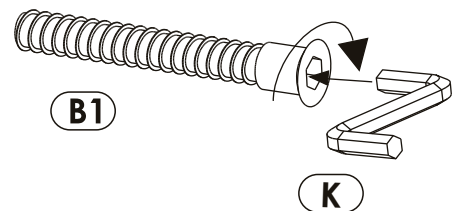
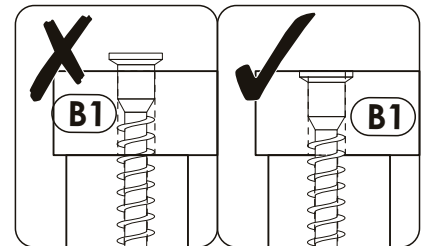
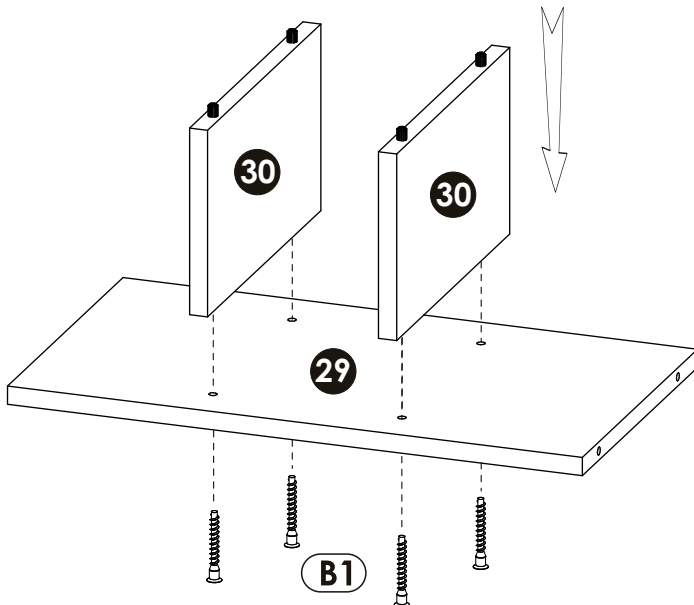
37▶

D10 4 x 16 mm 	x4	H8 4 x 10 mm 	x2	J13 	x2
L6 	x1	U1 	x2	U6 	x2
				U0 	x2

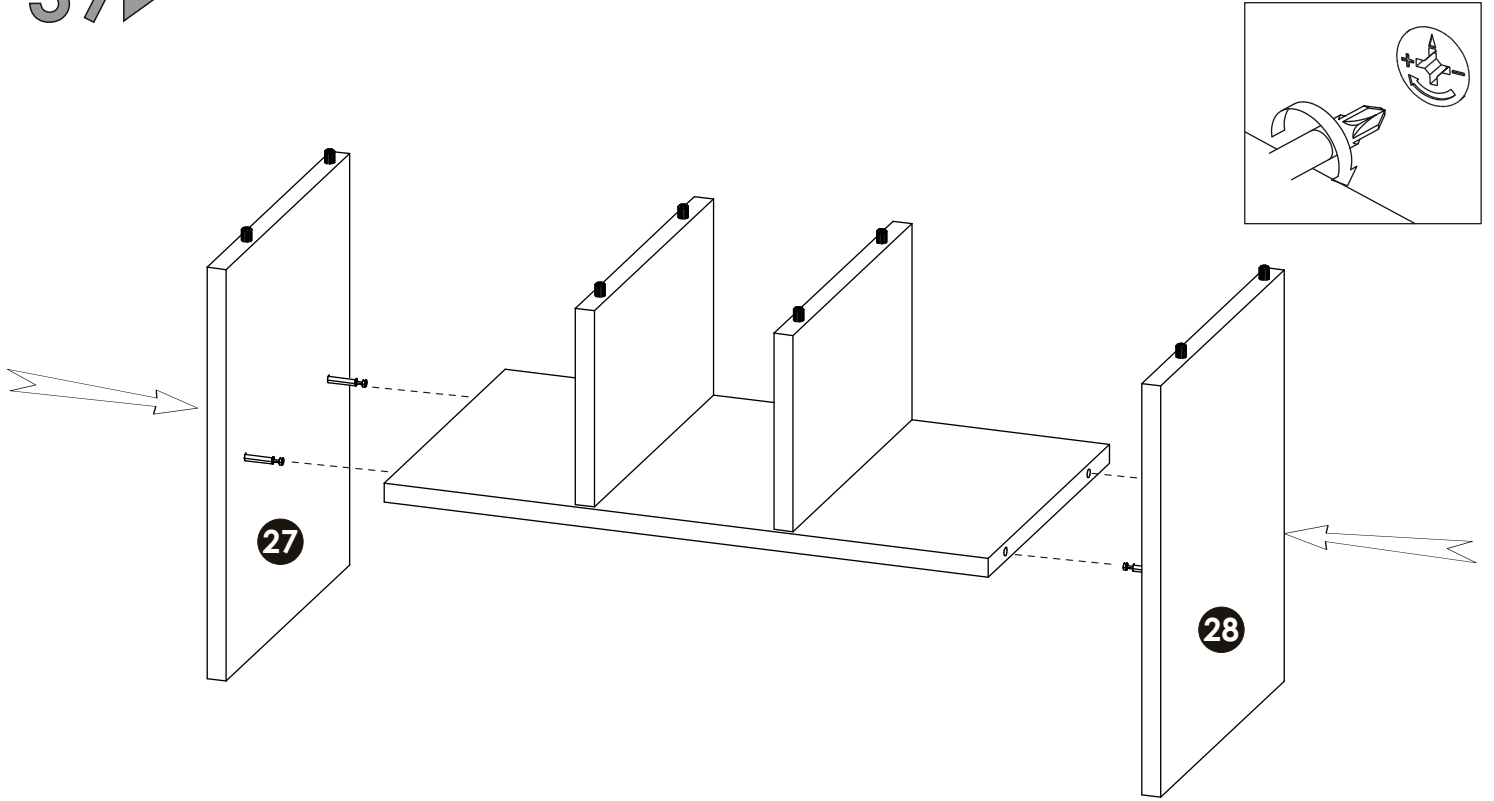


38▶

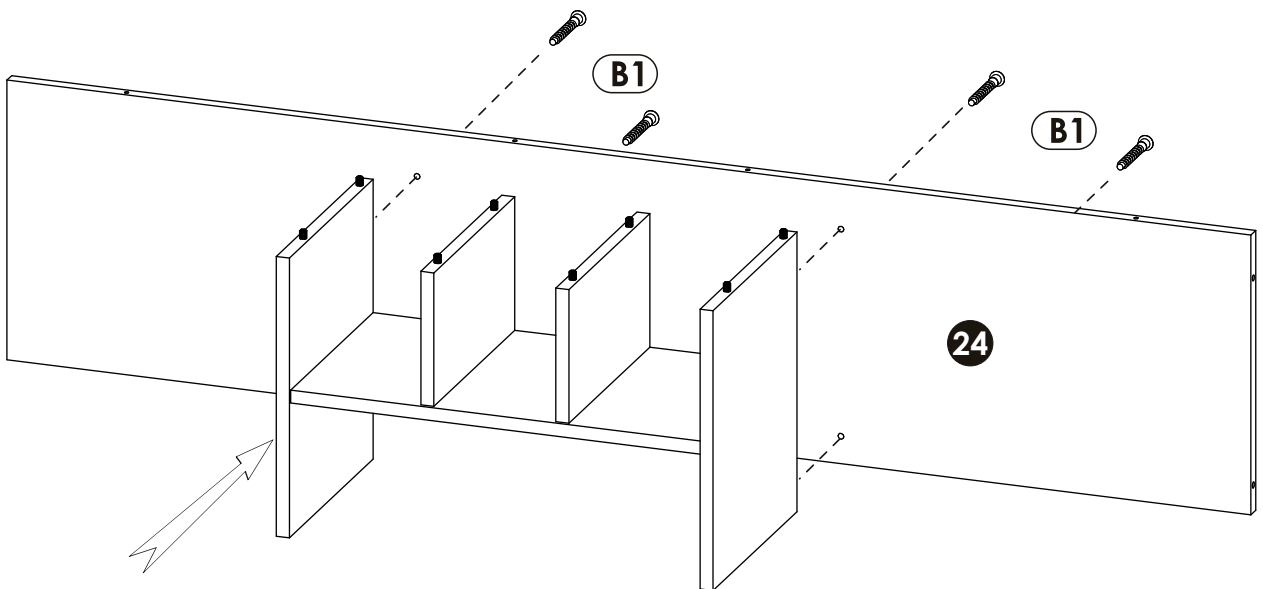
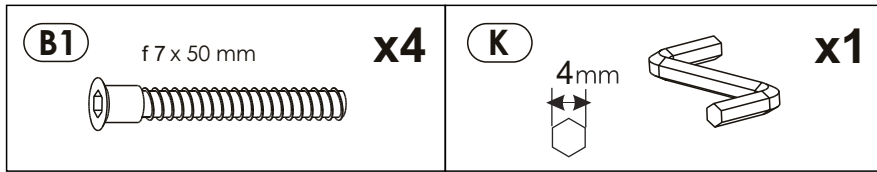
B1 f 7 x 50 mm 	x4	K 4mm 	x1
---	-----------	--	-----------



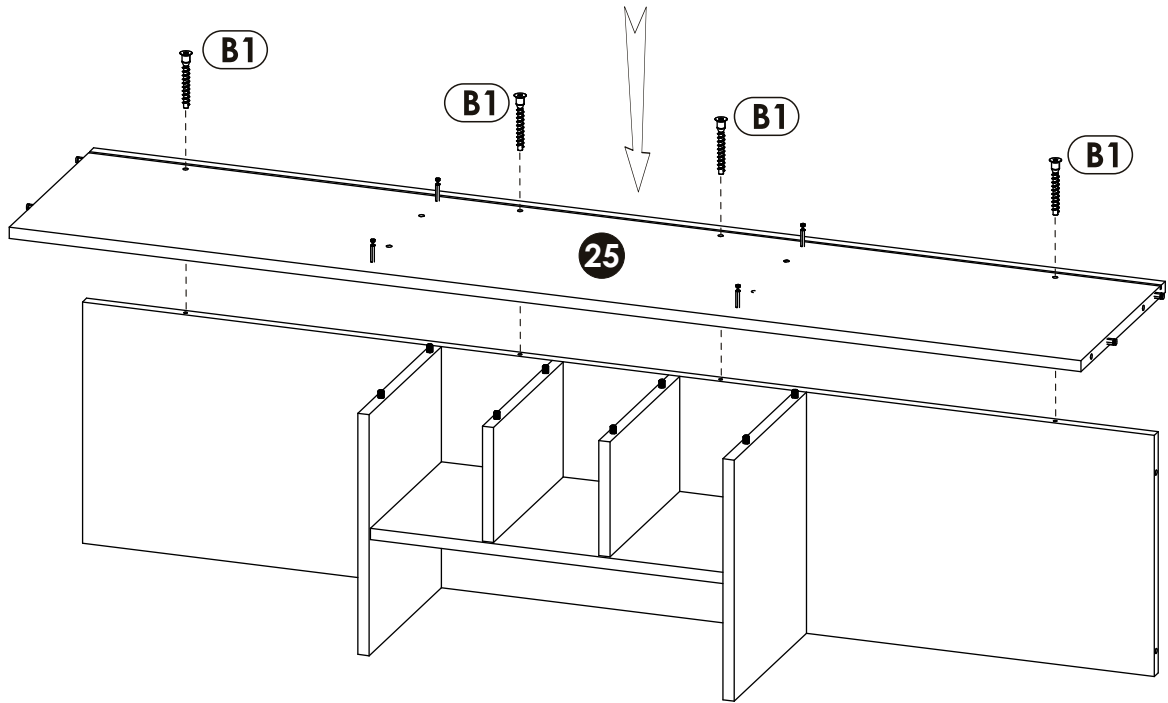
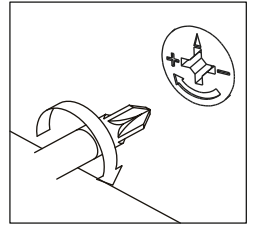
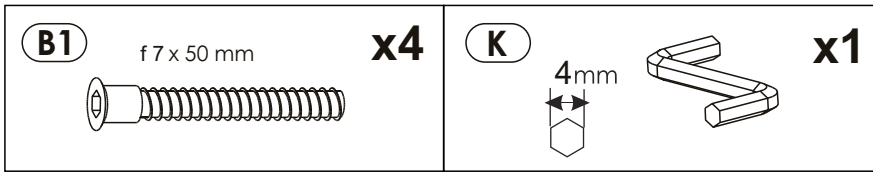
39▶



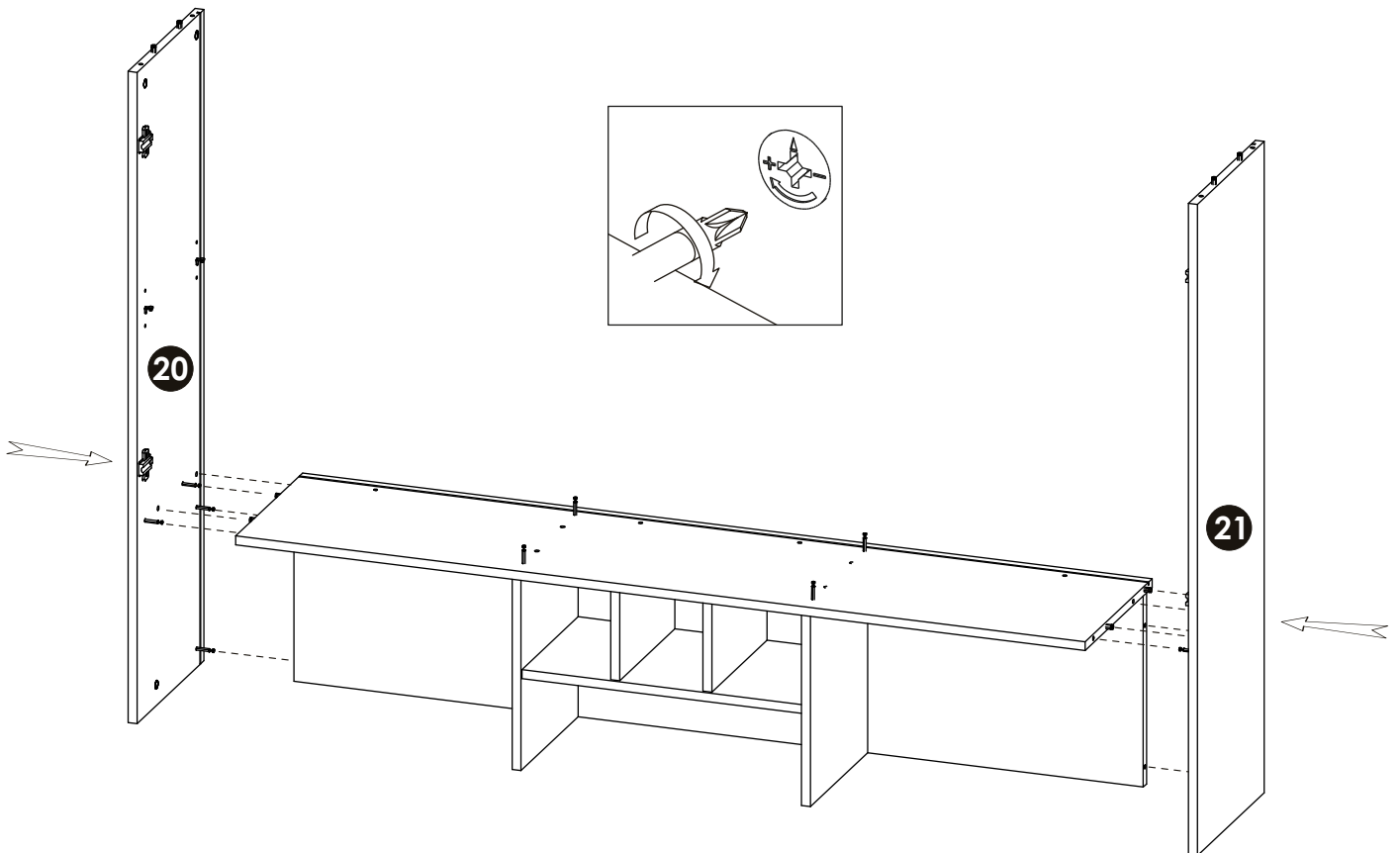
40▶



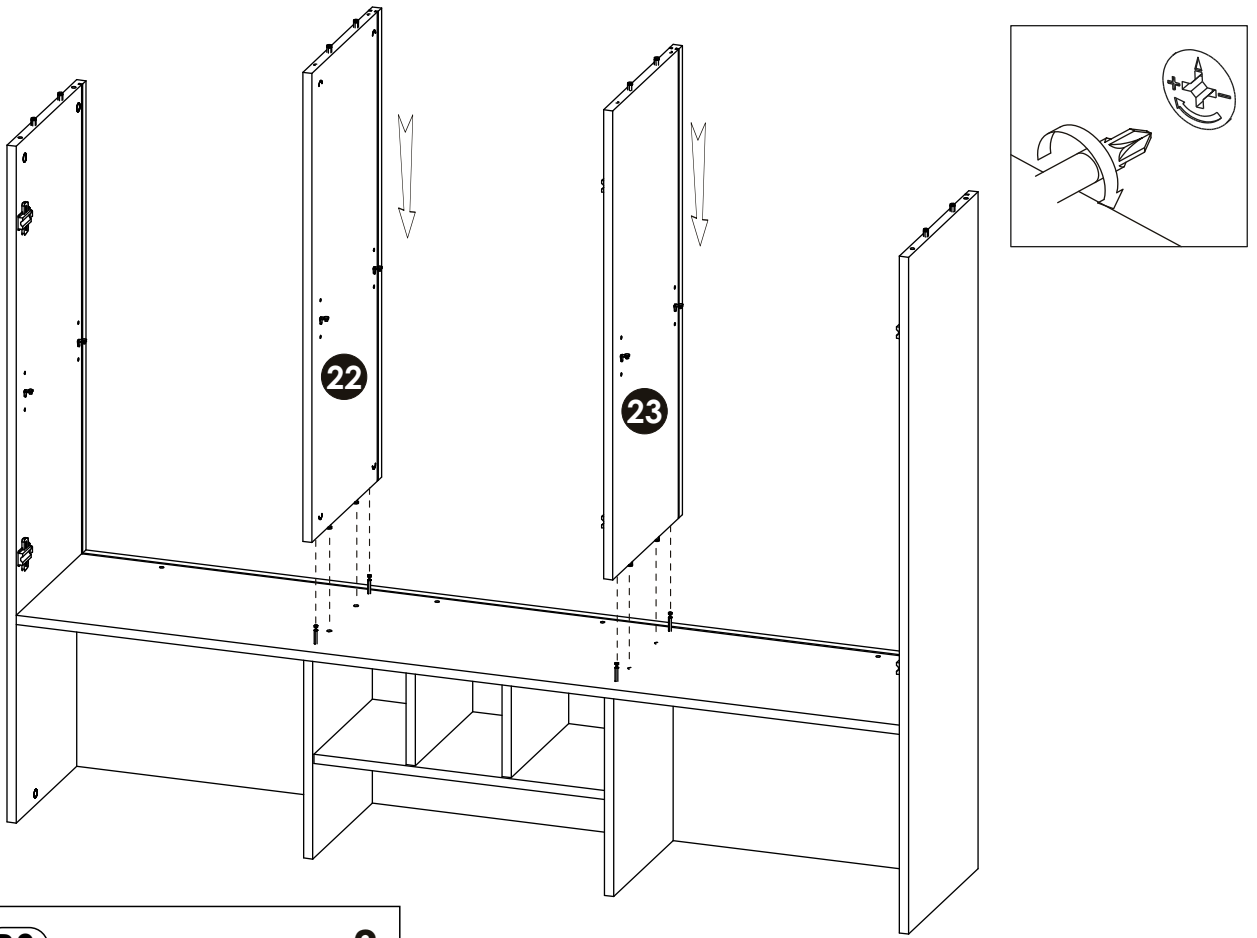
41 ▶



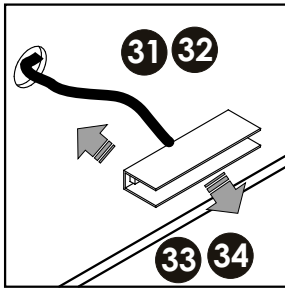
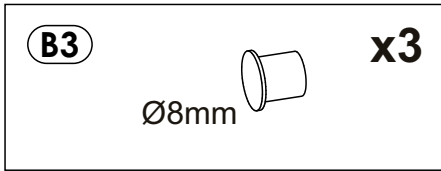
42 ▶



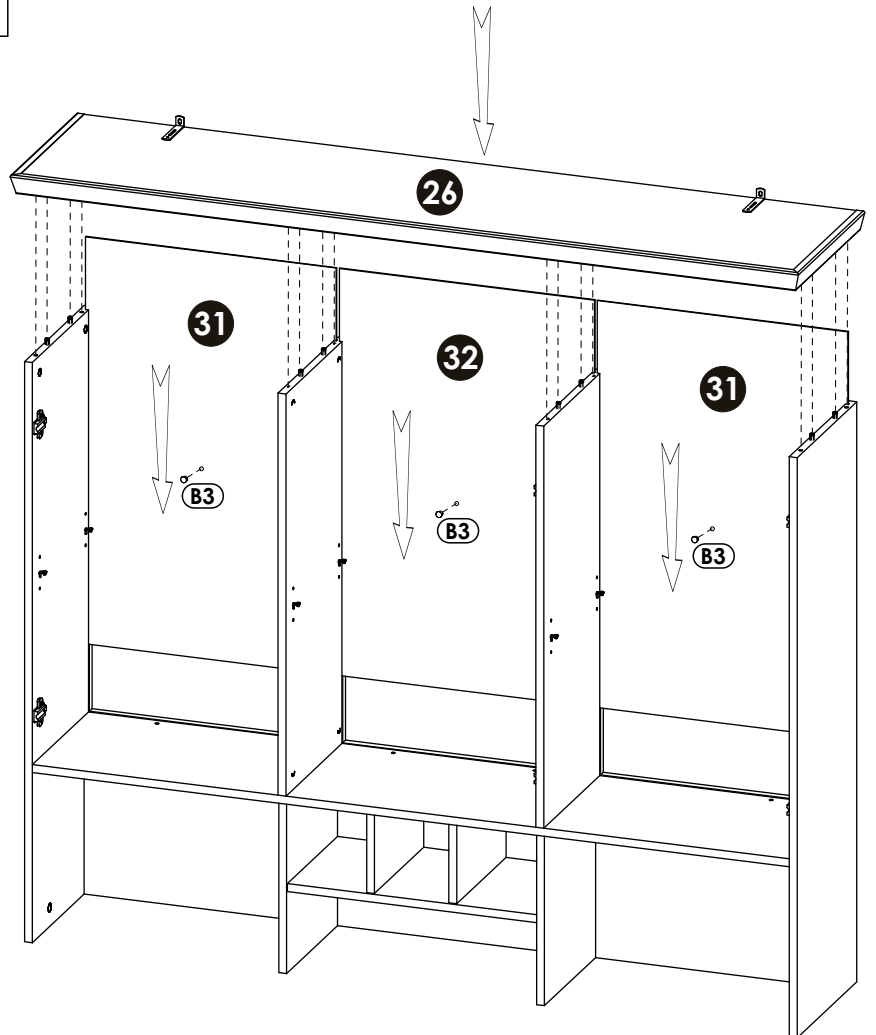
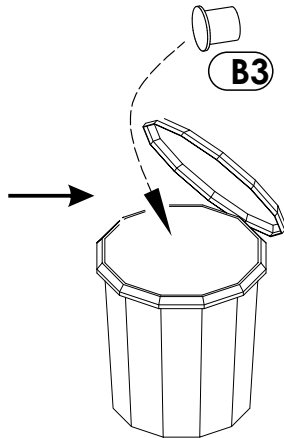
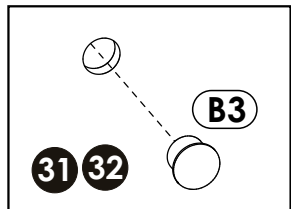
43▶



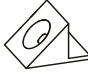
44▶

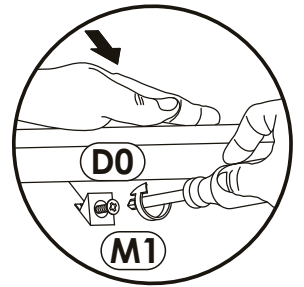
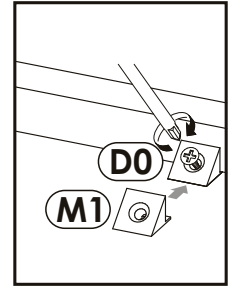
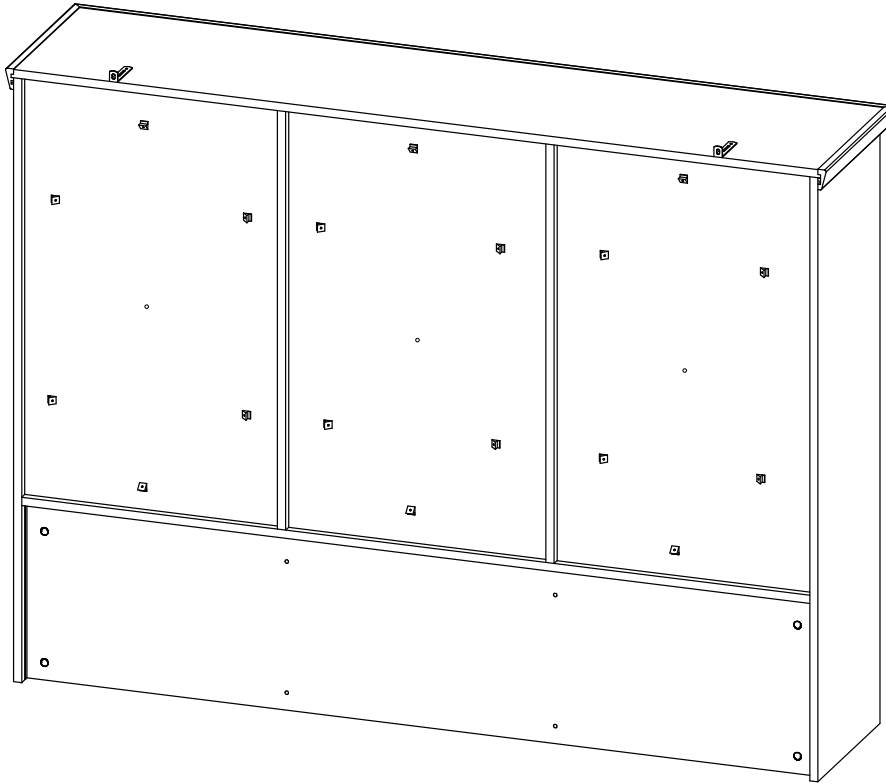
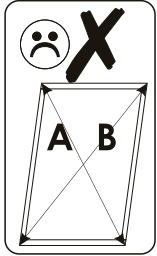
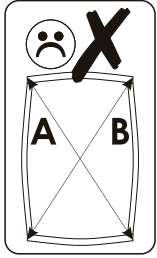
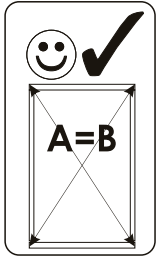


OPTION


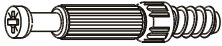
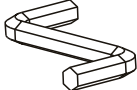


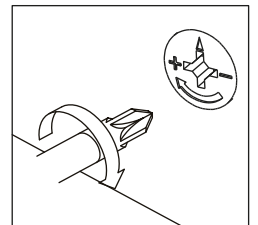
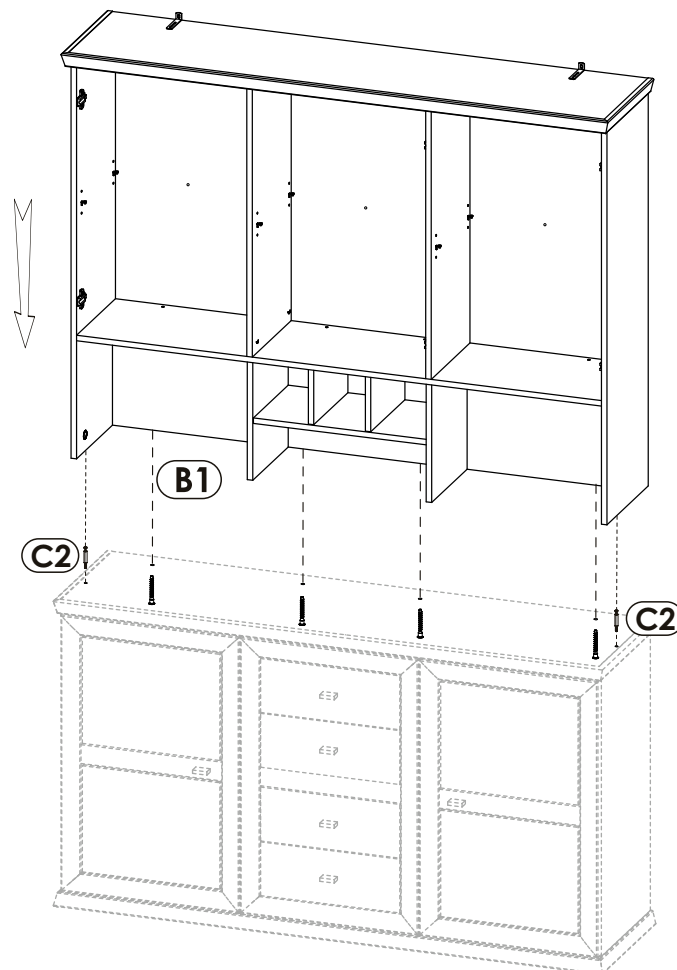
45 ▶

(D0)	3 x 15 mm	x18	(M1)		x18
-------------	-----------	------------	-------------	---	------------

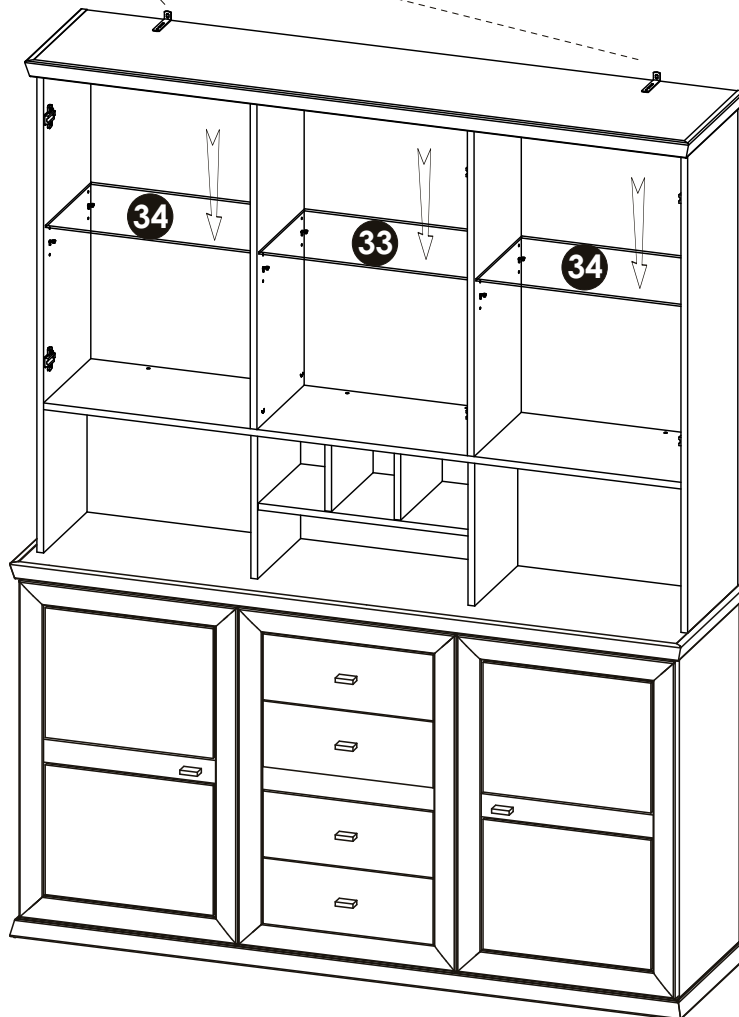
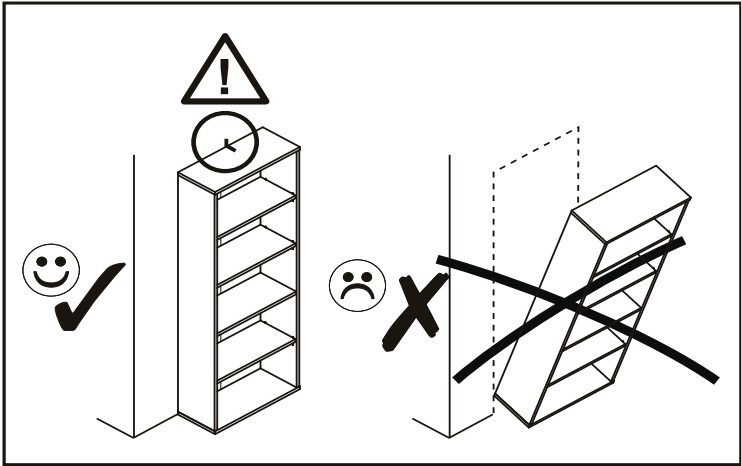
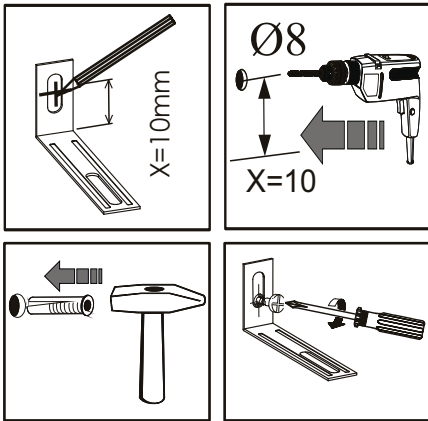
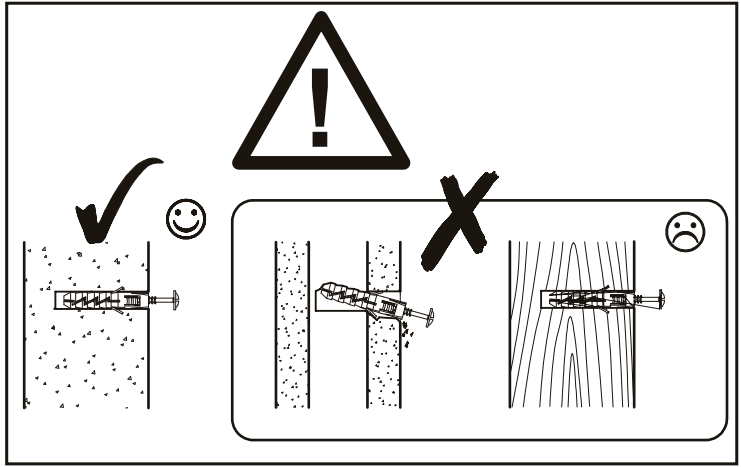
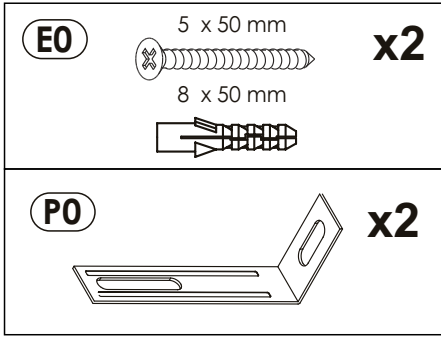


46 ▶

(B1)	f 7 x 50 mm	x4
		
(C2)		x2
		
(K)	4mm	x1
		



47▶



48▶

